

253

T-66-21-53

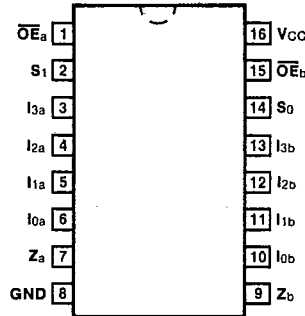
CONNECTION DIAGRAM
PINOUT A

54S/74S253
54LS/74LS253
DUAL 4-INPUT MULTIPLEXER
(With 3-State Outputs)

DESCRIPTION — The '253 is a dual 4-input multiplexer with 3-state outputs. It can select two bits of data from four sources using common select inputs. The outputs may be individually switched to a high impedance state with a HIGH on the respective Output Enable (\overline{OE}) inputs, allowing the outputs to interface directly with bus oriented systems. It is fabricated with the Schottky barrier diode process for high speed and is completely compatible with all Fairchild TTL families.

- SCHOTTKY PROCESS FOR HIGH SPEED
- MULTIFUNCTION CAPABILITY
- NON-INVERTING 3-STATE OUTPUTS

ORDERING CODE: See Section 9

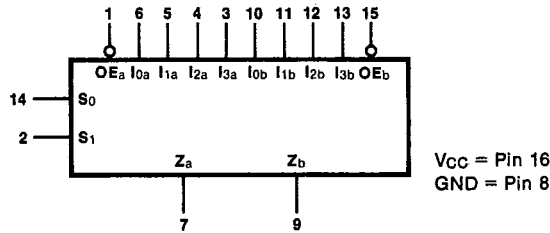


PKGS	PIN OUT	COMMERCIAL GRADE	MILITARY GRADE	PKG TYPE
		V _{CC} = +5.0 V ±5%, T _A = 0°C to +70°C	V _{CC} = +5.0 V ±10%, T _A = -55°C to +125°C	
Plastic DIP (P)	A	74S253PC, 74LS253PC		9B
Ceramic DIP (D)	A	74S253DC, 74LS253DC	54S253DM, 54LS253DM	6B
Flatpak (F)	A	74S253FC, 74LS253FC	54S253FM, 54LS253FM	4L

INPUT LOADING/FAN-OUT: See Section 3 for U.L. definitions

PIN NAMES	DESCRIPTION	54/74S (U.L.) HIGH/LOW	54/74LS (U.L.) HIGH/LOW
I _{0a} — I _{3a}	Side A Data Inputs	1.25/1.25	0.5/0.25
I _{0b} — I _{3b}	Side B Data Inputs	1.25/1.25	0.5/0.25
S ₀ , S ₁	Common Select Inputs	1.25/1.25	0.5/0.25
\overline{OE}_a	Side A Output Enable Input (Active LOW)	1.25/1.25	0.5/0.25
\overline{OE}_b	Side B Output Enable Input (Active LOW)	1.25/1.25	0.5/0.25
Z _a , Z _b	3-State Outputs	162/12.5 (50)	65/5.0 (25)/(2.5)

LOGIC SYMBOL



V_{CC} = Pin 16
GND = Pin 8

FUNCTIONAL DESCRIPTION — This device contains two identical 4-input multiplexers with 3-state outputs. They select two bits from four sources selected by common select inputs (S_0, S_1). The 4-input multiplexers have individual Output Enable ($\overline{OE}_a, \overline{OE}_b$) Inputs which when HIGH, force the outputs to a high impedance (high Z) state. This device is the logic implementation of a 2-pole, 4-position switch, where the position of the switch is determined by the logic levels supplied to the two select inputs. The logic equations for the outputs are shown below:

$$Z_a = \overline{OE}_a \cdot (I_{0a} \cdot \overline{S}_1 \cdot \overline{S}_0 + I_{1a} \cdot \overline{S}_1 \cdot S_0 + I_{2a} \cdot S_1 \cdot \overline{S}_0 + I_{3a} \cdot S_1 \cdot S_0)$$

$$Z_b = \overline{OE}_b \cdot (I_{0b} \cdot \overline{S}_1 \cdot \overline{S}_0 + I_{1b} \cdot \overline{S}_1 \cdot S_0 + I_{2b} \cdot S_1 \cdot \overline{S}_0 + I_{3b} \cdot S_1 \cdot S_0)$$

If the outputs of 3-state devices are tied together, all but one device must be in the high impedance state to avoid high currents that would exceed the maximum ratings. Designers should ensure that Output Enable signals to 3-state devices whose outputs are tied together are designed so that there is no overlap.

TRUTH TABLE

SELECT INPUTS		DATA INPUTS				OUTPUT ENABLE	OUTPUT
S_0	S_1	I_0	I_1	I_2	I_3	\overline{OE}	Z
X	X	X	X	X	X	H	(Z)
L	L	L	X	X	X	L	L
L	L	H	X	X	X	L	H
H	L	X	L	X	X	L	L
H	L	X	H	X	X	L	H
L	H	X	X	L	X	L	L
L	H	X	X	H	X	L	H
H	H	X	X	X	L	L	L
H	H	X	X	X	H	L	H

Address inputs S_0 and S_1 are common to both sections.

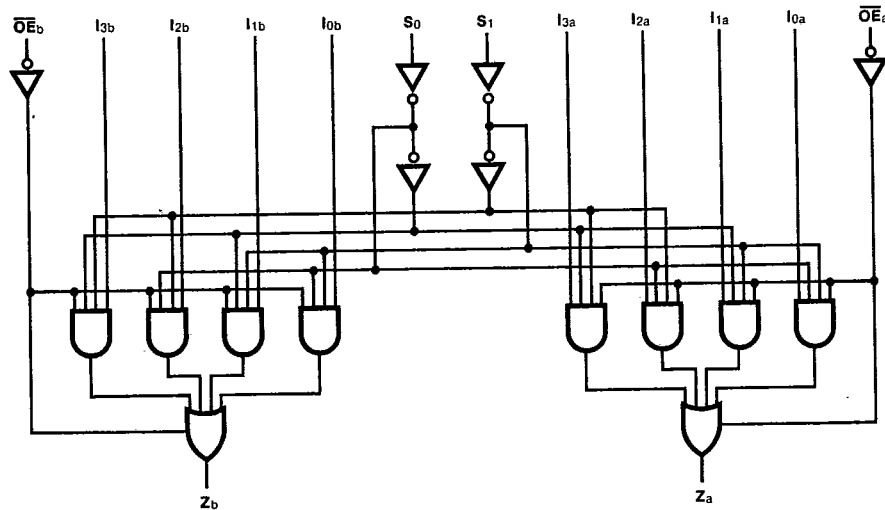
H = HIGH Voltage Level

L = LOW Voltage Level

X = Immaterial

(Z) = High Impedance

LOGIC DIAGRAM



4

253

T-66-21-53

DC CHARACTERISTICS OVER OPERATING TEMPERATURE RANGE (unless otherwise specified)

SYMBOL	PARAMETER	54/74S		54/74LS		UNITS	CONDITIONS	
		Min	Max	Min	Max			
I _{OS}	Output Short Circuit Current	-40	-100	-20	-100	mA	V _{CC} = Max	
I _{CC}	Power Supply Current	Outputs HIGH		70		mA	V _{CC} = Max, $\overline{OE}_n = \text{Gnd}$ I _n , S _n = 4.5 V	
		Outputs LOW		80			12	V _{CC} = Max I _n , S _n , $\overline{OE}_n = \text{Gnd}$
		Outputs OFF		100			14	V _{CC} = Max, $\overline{OE}_n = 4.5 \text{ V}$ I _n , S _n = Gnd

AC CHARACTERISTICS: V_{CC} = +5.0 V, T_A = +25°C (See Section 3 for waveforms and load configurations)

SYMBOL	PARAMETER	54/74S		54/74LS		UNITS	CONDITIONS
		C _L = 15 pF R _L = 280 Ω		C _L = 15 pF			
		Min	Max	Min	Max		
t _{PLH} t _{PHL}	Propagation Delay S _n to Z _n	18		29		ns	Figs. 3-1, 3-20
		18		24			
t _{PLH} t _{PHL}	Propagation Delay I _n to Z _n	9.0		20		ns	Figs. 3-1, 3-5
		9.0		15			
t _{PZH} t _{PZL}	Output Enable Time	19.5		22		ns	Figs. 3-3, 3-11, 3-12 R _L = 2 kΩ, C _L = 15 pF (LS253); C _L = 50 pF (S253)
		21		22			
t _{PHZ} t _{PLZ}	Output Disable Time	8.5		32		ns	Figs. 3-3, 3-11, 3-12 R _L = 2 kΩ, (LS253) C _L = 5 pF
		14		22			