

SCAN18374T D Flip-Flop with 3-STATE Outputs

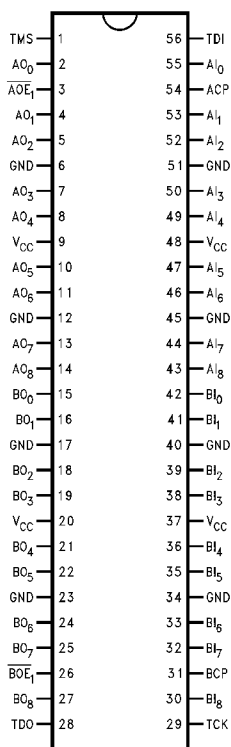
General Description

The SCAN18374T is a high speed, low-power D-type flip-flop featuring separate D-type inputs organized into dual 9-bit bytes with byte-oriented clock and output enable control signals. This device is compliant with IEEE 1149.1 Standard Test Access Port and BOUNDARY-SCAN Architecture with the incorporation of the defined BOUNDARY-SCAN test logic and test access port consisting of Test Data Input (TDI), Test Data Out (TDO), Test Mode Select (TMS), and Test Clock (TCK).

Features

- IEEE 1149.1 (JTAG) Compliant
- Buffered positive edge-triggered clock
- 3-STATE outputs for bus-oriented applications
- 9-bit data busses for parity applications
- Reduced-swing outputs source 32 mA/sink 64 mA (Comm), source 24 mA/sink 48 mA (Mil)
- Guaranteed to drive 50Ω transmission line to TTL input levels of 0.8V and 2.0V
- TTL compatible inputs
- 25 mil pitch SSOP (Shrink Small Outline Package)
- Includes CLAMP and HIGHZ instructions
- Member of Fairchild's SCAN Products

Ordering Code: Connection Diagram



DS010963-1

Pin Names	Description
$A_{1(0-8)}, B_{1(0-8)}$	Data Inputs
ACP, BCP	Clock Pulse Inputs
$\overline{AOE}_1, \overline{BOE}_1$	3-STATE Output Enable Inputs
$AO_{(0-8)}, BO_{(0-8)}$	3-STATE Outputs

Order Number	Description
SCAN18374TSSC	SSOP in Tubes
SCAN18374TSSCX	SSOP in Tape and Reel
SCAN18374TFMQB	Flatpak Military
5962-9320701MXA	Military SMD #

Truth Tables

Inputs			AO ₍₀₋₈₎
ACP	AOE ₁	AI ₍₀₋₈₎	
X	H	X	Z
↔	L	L	L
↔	L	H	H

Inputs			BO ₍₀₋₈₎
BCP	BOE ₁	BI ₍₀₋₈₎	
X	H	X	Z
↔	L	L	L
↔	L	H	H

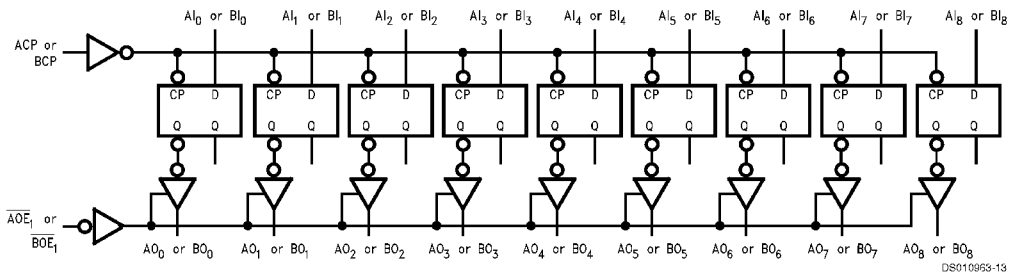
H= HIGH Voltage Level
 L= LOW Voltage Level
 X= Immaterial
 Z= High Impedance
 ↔= L-to-H Transition

Functional Description

The SCAN18374 consists of two sets of nine edge-triggered flip-flops with individual D-type inputs and 3-STATE true outputs. The buffered clock and buffered Output Enable pins are common to all flip-flops. Each set of the nine flip-flops will store the state of their individual D inputs that meet the setup and hold time requirements on the LOW-to-HIGH Clock

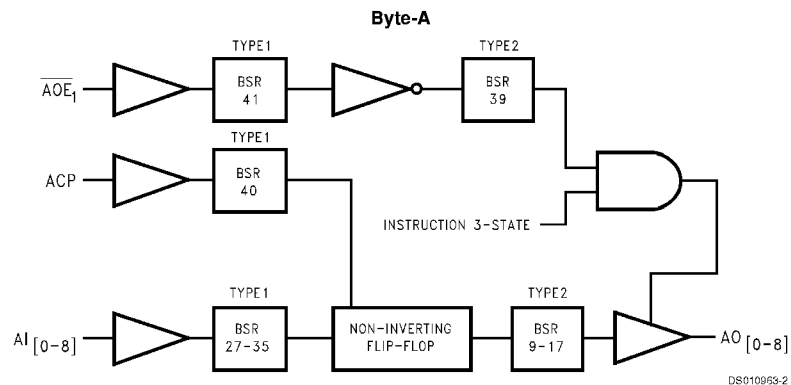
(ACP or BCP) transition. With the Output Enable ($\overline{AOE_1}$ or $\overline{BOE_1}$) LOW, the contents of the nine flip-flops are available at the outputs. When the Output Enable is HIGH, the outputs go to the high impedance state. Operation of the Output Enable input does not affect the state of the flip-flops.

Logic Diagram



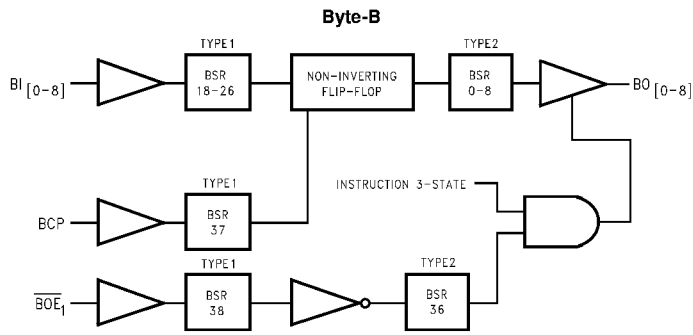
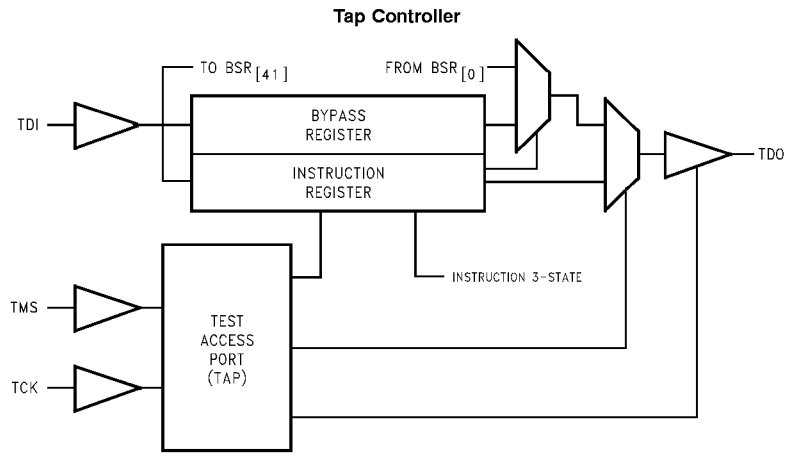
Please note that this diagram is provided only for the understanding of logic operations and should not be used to estimate propagation delays.

Block Diagrams



Note: BSR stands for Boundary Scan Register

Block Diagrams (Continued)



Note: BSR stands for Boundary Scan Register

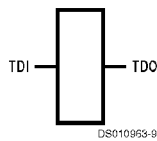
Description of Boundary-Scan Circuitry

The scan cells used in the BOUNDARY-SCAN register are one of the following two types depending upon their location. Scan cell TYPE1 is intended to solely observe system data, while TYPE2 has the additional ability to control system data. (See IEEE Standard 1149.1 *Figure 10–11* for a further description of scan cell TYPE1 and *Figure 10–12* for a further description of scan cell TYPE2.)

Scan cell TYPE1 is located on each system input pin while scan cell TYPE2 is located at each system output pin as well as at each of the two internal active-high output enable signals. AOE controls the activity of the A-outputs while BOE controls the activity of the B-outputs. Each will activate their respective outputs by loading a logic high.

The BYPASS register is a single bit shift register stage identical to scan cell TYPE1. It captures a fixed logic low.

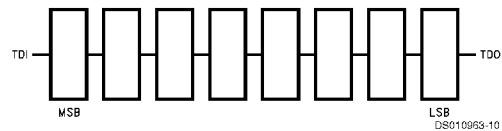
Bypass Register Scan Chain Definition Logic 0



The INSTRUCTION register is an eight-bit register which captures the value 00111101.

The two least significant bits of this captured value (01) are required by IEEE Std 1149.1. The upper six bits are unique to the SCAN18374T device. SCAN CMOS Test Access Logic devices do not include the IEEE 1149.1 optional identification register. Therefore, this unique captured value can be used as a "pseudo ID" code to confirm that the correct device is placed in the appropriate location in the boundary scan chain.

Instruction Register Scan Chain Definition

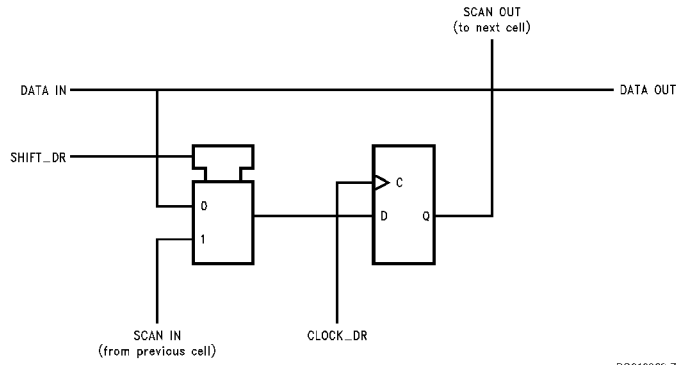


MSB → LSB

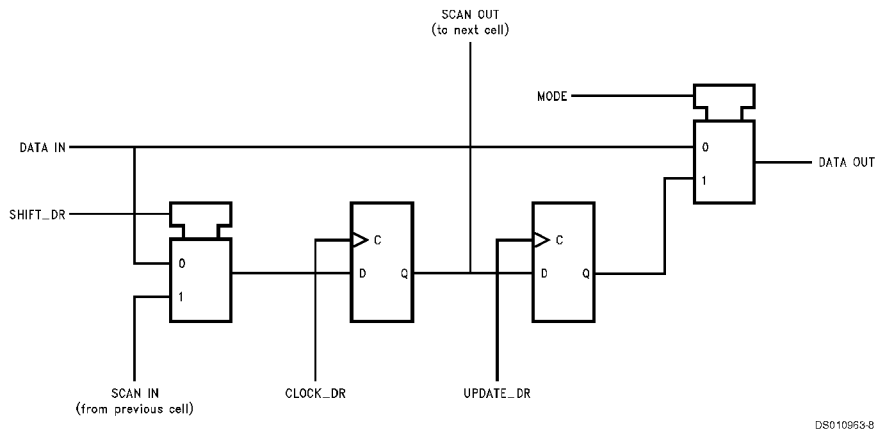
Instruction Code	Instruction
00000000	EXTEST
10000001	SAMPLE/PRELOAD
10000010	CLAMP
00000011	HIGHZ
All Others	BYPASS

Description of Boundary-Scan Circuitry (Continued)

Scan Cell TYPE1

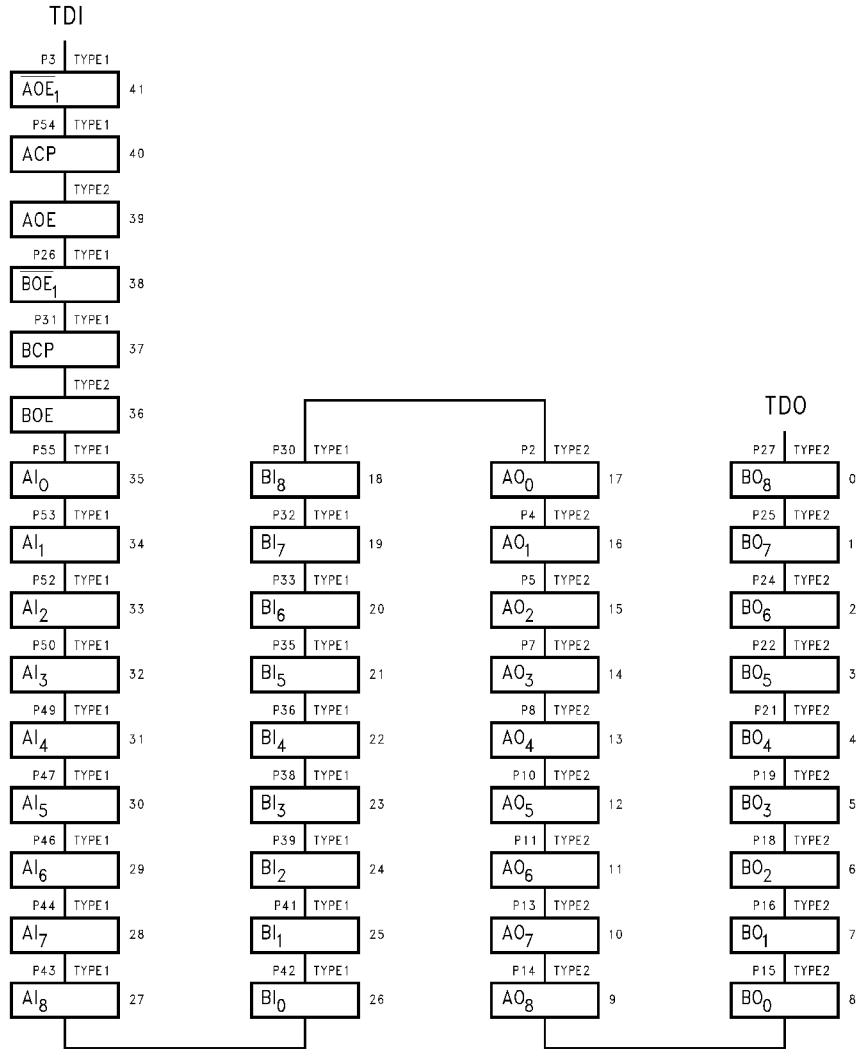


Scan Cell TYPE2



Description of Boundary-Scan Circuitry (Continued)

Boundary-Scan Register Scan Chain Definition (42 Bits in Length)



Description of Boundary-Scan Circuitry (Continued)

Boundary-Scan Register Definition Index

Bit No.	Pin Name	Pin No.	Pin Type	Scan Cell Type	
41	$\overline{AOE_1}$	3	Input	TYPE1	Control Signals
40	ACP	54	Input	TYPE1	
39	AOE		Internal	TYPE2	
38	$\overline{BOE_1}$	26	Input	TYPE1	
37	BCP	31	Input	TYPE1	
36	BOE		Internal	TYPE2	
35	AI ₀	55	Input	TYPE1	A-in
34	AI ₁	53	Input	TYPE1	
33	AI ₂	52	Input	TYPE1	
32	AI ₃	50	Input	TYPE1	
31	AI ₄	49	Input	TYPE1	
30	AI ₅	47	Input	TYPE1	
29	AI ₆	46	Input	TYPE1	
28	AI ₇	44	Input	TYPE1	
27	AI ₈	43	Input	TYPE1	
26	BI ₀	42	Input	TYPE1	B-in
25	BI ₁	41	Input	TYPE1	
24	BI ₂	39	Input	TYPE1	
23	BI ₃	38	Input	TYPE1	
22	BI ₄	36	Input	TYPE1	
21	BI ₅	35	Input	TYPE1	
20	BI ₆	33	Input	TYPE1	
19	BI ₇	32	Input	TYPE1	
18	BI ₈	30	Input	TYPE1	
17	AO ₀	2	Output	TYPE2	A-out
16	AO ₁	4	Output	TYPE2	
15	AO ₂	5	Output	TYPE2	
14	AO ₃	7	Output	TYPE2	
13	AO ₄	8	Output	TYPE2	
12	AO ₅	10	Output	TYPE2	
11	AO ₆	11	Output	TYPE2	
10	AO ₇	13	Output	TYPE2	
9	AO ₈	14	Output	TYPE2	
8	BO ₀	15	Output	TYPE2	B-out
7	BO ₁	16	Output	TYPE2	
6	BO ₂	18	Output	TYPE2	
5	BO ₃	19	Output	TYPE2	
4	BO ₄	21	Output	TYPE2	
3	BO ₅	22	Output	TYPE2	
2	BO ₆	24	Output	TYPE2	
1	BO ₇	25	Output	TYPE2	
0	BO ₈	27	Output	TYPE2	

Absolute Maximum Ratings (Note 1)

Supply Voltage (V_{CC})	-0.5V to +7.0V
DC Input Diode Current (I_{IK})	
$V_I = -0.5V$	-20 mA
$V_I = V_{CC} + 0.5V$	+20 mA
DC Output Diode Current (I_{OK})	
$V_O = -0.5V$	-20 mA
$V_O = V_{CC} + 0.5V$	+20 mA
DC Output Voltage (V_O)	-0.5V to $V_{CC} + 0.5V$
DC Output Source/Sink Current (I_O)	± 70 mA
DC V_{CC} or Ground Current	
Per Output Pin	± 70 mA
Junction Temperature	
SSOP	+140°C
Storage Temperature	-65°C to +150°C
ESD (Min)	2000V

Recommended Operating Conditions

Supply Voltage (V_{CC})	SCAN Products	4.5V to 5.5V
Input Voltage (V_I)		0V to V_{CC}
Output Voltage (V_O)		0V to V_{CC}
Operating Temperature (T_A)		
Commercial		-40°C to +85°C
Military		-55°C to +125°C
Minimum Input Edge Rate dV/dt		125 mV/ns
V_{IN} from 0.8V to 2.0V		
V_{CC} @ 4.5V, 5.5V		

Note 1: Absolute maximum ratings are those values beyond which damage to the device may occur. The databook specifications should be met, without exception, to ensure that the system design is reliable over its power supply, temperature, and output/input loading variables. Fairchild does not recommend operation of SCAN circuits outside databook specifications.

DC Electrical Characteristics

Symbol	Parameter	V_{CC} (V)	Commercial			Military	Commercial		Units	Conditions
			$T_A = +25^\circ C$			$T_A = -55^\circ C$ to $+125^\circ C$	$T_A = -40^\circ C$ to $+85^\circ C$			
			Typ	Guaranteed Limits						
V_{IH}	Minimum High Input Voltage	4.5	1.5	2.0	2.0	2.0	2.0	V	$V_{OUT} = 0.1V$ or $V_{CC} - 0.1V$	
		5.5	1.5	2.0	2.0	2.0	2.0			
V_{IL}	Maximum Low Input Voltage	4.5	1.5	0.8	0.8	0.8	0.8	V	$V_{OUT} = 0.1V$ or $V_{CC} - 0.1V$	
		5.5	1.5	0.8	0.8	0.8	0.8			
V_{OH}	Minimum High Output Voltage	4.5		3.15	3.15	3.15	3.15	V	$I_{OUT} = -50 \mu A$	
		5.5		4.15	4.15	4.15	4.15			
		4.5		2.4		2.4	2.4	V	$V_{IN} = V_{IL}$ or V_{IH} $I_{OH} = -32 \text{ mA}$	
		5.5		2.4		2.4	2.4			
		4.5		2.4	2.4	2.4	2.4			
5.5		2.4	2.4	2.4	2.4					
V_{OL}	Maximum Low Output Voltage	4.5		0.1	0.1	0.1	0.1	V	$I_{OUT} = 50 \mu A$	
		5.5		0.1	0.1	0.1	0.1			
		4.5		0.55		0.55	0.55	V	$V_{IN} = V_{IL}$ or V_{IH} $I_{OL} = 64 \text{ mA}$	
		5.5		0.55		0.55	0.55			
		4.5		0.55	0.55	0.55	0.55			
5.5		0.55	0.55	0.55	0.55					
I_{IN}	Maximum Input Leakage Current	5.5		± 0.1	± 1.0	± 1.0	± 1.0	μA	$V_I = V_{CC}, GND$	
I_{IN} TDI, TMS	Maximum Input Leakage	5.5		2.8	3.7	3.6	μA	$V_I = V_{CC}$		
				-385	-385	-385	μA	$V_I = GND$		
	Minimum Input Leakage	5.5		-160	-160	-160	μA	$V_I = GND$		
I_{OLD}	Minimum Dynamic Output Current (Note 3)	5.5		94	63	94	mA	$V_{OLD} = 0.8V \text{ Max}$		
I_{OHD}				-40	-27	-40	mA	$V_{OHD} = 2.0V \text{ Min}$		
I_{OZ}	Maximum Output Leakage Current	5.5		± 0.5	± 10.0	± 5.0	μA	$V_I (OE) = V_{IL}, V_{IH}$		
I_{OS}	Output Short Circuit Current	5.5		-100	-100	-100	mA (min)	$V_O = 0V$		

DC Electrical Characteristics (Continued)

Symbol	Parameter	V _{CC} (V)	Commercial	Military	Commercial	Units	Conditions
			T _A = +25°C	T _A = -55°C to +125°C	T _A = -40°C to +85°C		
			Typ	Guaranteed Limits			
I _{CC}	Maximum Quiescent Supply Current	5.5	16.0	168	88	μA	V _O = Open TDI, TMS = V _{CC}
		5.5	750	930	820	μA	V _O = Open TDI, TMS = GND
I _{CC1}	Maximum I _{CC} Per Input	5.5	2.0	2.0	2.0	mA	V _I = V _{CC} - 2.1V
		5.5	2.15	2.15	2.15		V _I = V _{CC} - 2.1V TDI/TMS Pin, Test One with the Other Floating

Note 2: All outputs loaded; thresholds associated with output under test.

Note 3: Maximum test duration 2.0 ms, one output loaded at a time.

Noise Specifications

Symbol	Parameter	V _{CC} (V)	Commercial		Military	Commercial	Units
			T _A = +25°C		T _A = -55°C to +125°C	T _A = -40°C to +85°C	
			Typ	Guaranteed Limits			
V _{OLP}	Maximum High Output Noise (Notes 5, 6)	5.0	1.0	1.5			V
V _{OLV}	Minimum Low Output Noise (Notes 5, 6)	5.0	-0.6	-1.2			V
V _{OHP}	Maximum Overshoot (Notes 4, 6)	5.0	V _{OH} +1.0	V _{OH} +1.5			V
V _{OHV}	Minimum V _{CC} Droop (Notes 4, 6)	5.0	V _{OH} -1.0	V _{OH} -1.8			V
V _{IHD}	Minimum High Dynamic Input Voltage Level (Notes 4, 7)	5.5	1.6	2.0	2.0	2.0	V
V _{ILD}	Maximum Low Dynamic Input Voltage Level (Notes 4, 7)	5.5	1.4	0.8	0.8	0.8	V

Note 4: Worst case package.

Note 5: Maximum number of outputs that can switch simultaneously is n. (n - 1) outputs are switched LOW and one output held LOW.

Note 6: Maximum number of outputs that can switch simultaneously is n. (n - 1) outputs are switched HIGH and one output held HIGH.

Note 7: Maximum number of data inputs (n) switching. (n - 1) input switching 0V to 3V. Input under test switching 3V to threshold (V_{ILD}).

AC Electrical Characteristics

Symbol	Parameter	V _{CC} (V) (Note 8)	Commercial		Military		Commercial		Units
			T _A = +25°C C _L = 50 pF		T _A = -55°C to +125°C C _L = 50 pF		T _A = -40°C to +85°C C _L = 50 pF		
			Min	Typ	Max	Min	Max	Min	
t _{PLH}	Propagation Delay CP to Q	5.0	2.5	9.5	2.5	11.0	2.5	10.5	ns
t _{PHL}			2.5	10.3	2.5	12.0	2.5	11.5	
t _{PLZ}	Disable Time	5.0	1.5	9.0	1.5	10.5	1.5	9.5	ns
t _{PHZ}			1.5	9.0	1.5	10.3	1.5	10.0	
t _{PZL}	Enable Time	5.0	2.0	10.9	2.0	12.6	2.0	12.0	ns
t _{PZH}			2.0	8.9	2.0	10.3	2.0	9.5	

AC Operating Requirements

Normal Operation:

Symbol	Parameter	V _{CC} (V) (Note 8)	Commercial		Military		Commercial		Units
			T _A = +25°C C _L = 50 pF		T _A = -55°C to +125°C C _L = 50 pF		T _A = -40°C to +85°C C _L = 50 pF		
			Guaranteed Minimum						
t _S	Setup Time, H or L Data to CP	5.0	3.0		3.0		3.0		ns
t _H	Hold Time, H or L CP to Data	5.0	1.5		1.5		1.5		ns
t _W	CP Pulse Width	5.0	5.0		5.0		5.0		ns
f _{max}	Maximum ACP/BCP Clock Frequency	5.0	100		70		90		MHz

Note 8: Voltage Range 5.0 is 5.0V ±0.5V.

AC Electrical Characteristics

Scan Test Operation:

Symbol	Parameter	V _{CC} (V) (Note 9)	Commercial			Military		Commercial		Units
			T _A = +25°C C _L = 50 pF			T _A = -55°C to +125°C C _L = 50 pF		T _A = -40°C to +85°C C _L = 50 pF		
			Min	Typ	Max	Min	Max	Min	Max	
t _{PLH}	Propagation Delay	5.0	3.5		13.2	3.5	15.8	3.5	14.5	ns
t _{PHL}	TCK to TDO		3.5		13.2	3.5	15.8	3.5	14.5	
t _{PLZ}	Disable Time	5.0	2.5		11.5	2.5	12.8	2.5	11.9	ns
t _{PHZ}	TCK to TDO		2.5		11.5	2.5	12.8	2.5	11.9	
t _{PZL}	Enable Time	5.0	3.0		14.5	3.0	16.7	3.0	15.8	ns
t _{PZH}	TCK to TDO		3.0		14.5	3.0	16.7	3.0	15.8	
t _{PLH}	Propagation Delay	5.0	5.0		18.0	5.0	21.7	5.0	19.8	ns
t _{PHL}	TCK to Data Out During Update-DR State		5.0		18.0	5.0	21.7	5.0	19.8	
t _{PLH}	Propagation Delay	5.0	5.0		18.6	5.0	21.2	5.0	20.2	ns
t _{PHL}	TCK to Data Out During Update-IR State		5.0		18.6	5.0	21.2	5.0	20.2	

AC Electrical Characteristics (Continued)

Scan Test Operation:

Symbol	Parameter	V _{CC} (V) (Note 9)	Commercial			Military		Commercial		Units
			T _A = +25°C C _L = 50 pF			T _A = -55°C to +125°C C _L = 50 pF		T _A = -40°C to +85°C C _L = 50 pF		
			Min	Typ	Max	Min	Max	Min	Max	
t _{PLH} , t _{PHL}	Propagation Delay TCK to Data Out During Test Logic Reset State	5.0	5.5		19.9	5.5	23.0	5.5	21.5	ns
			5.5		19.9	5.5	23.0	5.5	21.5	
t _{PLZ} , t _{PHZ}	Propagation Delay TCK to Data Out During Update-DR State	5.0	4.0		16.4	4.0	19.6	4.0	18.2	ns
			4.0		16.4	4.0	19.6	4.0	18.2	
t _{PLZ} , t _{PHZ}	Propagation Delay TCK to Data Out During Update-IR State	5.0	5.0		19.5	5.0	22.4	5.0	20.8	ns
			5.0		19.5	5.0	22.4	5.0	20.8	
t _{PLZ} , t _{PHZ}	Propagation Delay TCK to Data Out During Test Logic Reset State	5.0	5.0		19.9	5.0	23.3	5.0	21.5	ns
			5.0		19.9	5.0	23.3	5.0	21.5	
t _{PZL} , t _{PZH}	Propagation Delay TCK to Data Out During Update-DR State	5.0	5.0		18.9	5.0	22.6	5.0	20.9	ns
			5.0		18.9	5.0	22.6	5.0	20.9	
t _{PZL} , t _{PZH}	Propagation Delay TCK to Data Out During Update-IR State	5.0	6.5		22.4	6.5	26.2	6.5	24.2	ns
			6.5		22.4	6.5	26.2	6.5	24.2	
t _{PZL} , t _{PZH}	Propagation Delay TCK to Data Out During Test Logic Reset State	5.0	7.0		23.8	7.0	27.4	7.0	25.7	ns
			7.0		23.8	7.0	27.4	7.0	25.7	

Note 9: Voltage Range 5.0 is 5.0V ±0.5V.

All Propagation Delays involving TCK are measured from the falling edge of TCK.

AC Operating Requirements

Scan Test Operation:

Symbol	Parameter	V _{CC} (V) (Note 10)	Commercial			Military		Commercial		Units
			T _A = +25°C C _L = 50 pF			T _A = -55°C to +125°C C _L = 50 pF		T _A = -40°C to +85°C C _L = 50 pF		
			Guaranteed Minimum							
t _S	Setup Time, H or L Data to TCK (Note 11)	5.0	3.0			4.5		3.0		ns
t _H	Hold Time, H or L TCK to Data (Note 11)	5.0	4.5			5.5		4.5		ns
t _S	Setup Time, H or L AOE ₁ ⁻ , BOE ₁ ⁻ to TCK (Note 13)	5.0	3.0			3.5		3.0		ns
t _H	Hold Time, H or L TCK to AOE ₁ ⁻ , BOE ₁ ⁻ (Note 13)	5.0	4.5			4.5		4.5		ns

AC Operating Requirements (Continued)

Scan Test Operation:

Symbol	Parameter	V _{CC} (V) (Note 10)	Commercial	Military	Commercial	Units	
			T _A = +25°C C _L = 50 pF	T _A = -55°C to +125°C C _L = 50 pF	T _A = -40°C to +85°C C _L = 50 pF		
Guaranteed Minimum							
t _S	Setup Time, H or L Internal AOE, BOE to TCK (Note 12)	5.0	3.0	3.0	3.0	ns	
t _H	Hold Time, H or L TCK to Internal AOE, BOE (Note 12)	5.0	3.0	3.0	3.0	ns	
t _S	Setup Time ACP, BCP (Note 14) to TCK	5.0	3.0	3.0	3.0	ns	
t _H	Hold Time TCK to ACP, BCP (Note 14)	5.0	3.5	3.5	3.5	ns	
t _S	Setup Time, H or L TMS to TCK	5.0	8.0	8.0	8.0	ns	
t _H	Hold Time, H or L TCK to TMS	5.0	2.0	2.0	2.0	ns	
t _S	Setup Time, H or L TDI to TCK	5.0	4.0	4.0	4.0	ns	
t _H	Hold Time, H or L TCK to TDI	5.0	4.5	4.5	4.5	ns	
t _w	Pulse Width TCK	5.0	H	15.0	15.0	15.0	ns
			L	5.0	5.0	5.0	
f _{max}	Maximum TCK Clock Frequency	5.0	25	25	25	MHz	
T _{pu}	Wait Time, Power Up to TCK	5.0	100	100	100	ns	
T _{dn}	Power Down Delay	0.0	100	100	100	ms	

Note 10: Voltage Range 5.0 is 5.0V ±0.5V.

All Input Timing Delays involving TCK are measured from the rising edge of TCK.

Note 11: This delay represents the timing relationship between the data Input and TCK at the associated scan cells numbered 0–8, 9–17, 18–26 and 27–35.

Note 12: This delay represents the timing relationship between AOE, BOE and TCK at scan cells 36 and 39 only.

Note 13: Timing pertains to BSR 38 and 41 only.

Note 14: Timing pertains to BSR 37 and 40 only.

Extended AC Electrical Characteristics

Symbol	Parameter	T _A = Com V _{CC} = Com C _L = 50 pF 18 Outputs Switching (Note 16)			T _A = Mil V _{CC} = Mil C _L = 50 pF 18 Outputs Switching (Note 16)		T _A = COM V _{CC} = Com C _L = 250 pF (Note 17)		T _A = Mil V _{CC} = Mil C _L = 250 pF (Note 17)		Units
		Min	Typ	Max	Min	Max	Min	Max	Min	Max	
t _{PLH}	Propagation Delay	3.0		11.5	3.0	12.0	4.0	13.5	4.0	14.5	ns
t _{PHL}	Data to Output	3.0		12.5	3.0	13.0	4.0	16.5	4.0	17.0	

Extended AC Electrical Characteristics (Continued)

Symbol	Parameter	T _A = Com V _{CC} = Com C _L = 50 pF 18 Outputs Switching (Note 16)			T _A = Mil V _{CC} = Mil C _L = 50 pF 18 Outputs Switching (Note 16)		T _A = COM V _{CC} = Com C _L = 250 pF (Note 17)		T _A = Mil V _{CC} = Mil C _L = 250 pF (Note 17)		Units
		Min	Typ	Max	Min	Max	Min	Max	Min	Max	
t _{PZH} , t _{PZL}	Output Enable Time	2.5		10.5	2.5	11.0			(Note 18)	(Note 18)	ns
t _{PHZ} , t _{PLZ}	Output Disable Time	2.0		10.5	2.0	11.0			(Note 19)	(Note 19)	ns
t _{OSHL} (Note 15)	Pin to Pin Skew HL Data to Output		0.5	1.0				1.0			ns
t _{OSLH} (Note 15)	Pin to Pin Skew LH Data to Output		0.5	1.0				1.0			ns

Note 15: Skew is defined as the absolute value of the difference between the actual propagation delays for any two separate outputs of the same device. The specification applies to any outputs switching HIGH to LOW (t_{OSHL}), LOW to HIGH (t_{OSLH}), or any combination switching LOW to HIGH and/or HIGH to LOW.

Note 16: This specification is guaranteed but not tested. The limits apply to propagation delays for all paths described switching in phase (i.e., all low-to-high, high-to-low, etc.).

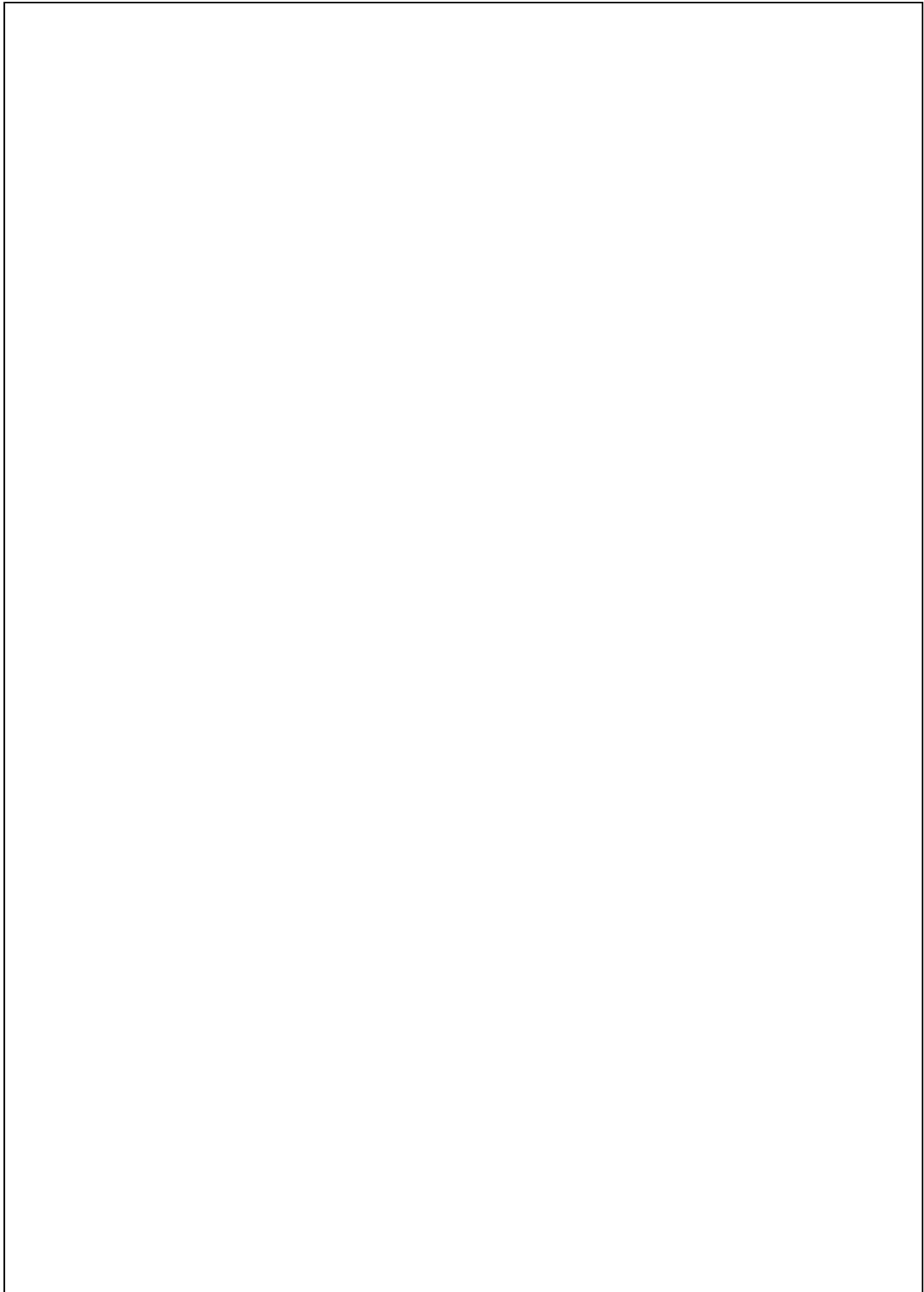
Note 17: This specification is guaranteed but not tested. The limits represent propagation delays with 250 pF load capacitors in place of the 50 pF load capacitors in the standard AC load. This specification pertains to single output switching only.

Note 18: 3-STATE delays are load dominated and have been excluded from the datasheet.

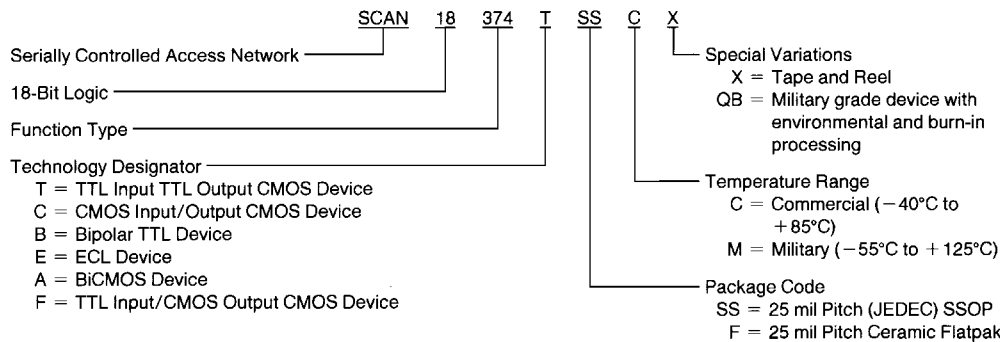
Note 19: The Output Disable Time is dominated by the RC network (500Ω, 250 pF) on the output and has been excluded from the datasheet.

Capacitance

Symbol	Parameter	Typ	Units	Conditions
C _{IN}	Input Pin Capacitance	4.0	pF	V _{CC} = 5.0V
C _{OUT}	Output Pin Capacitance	13.0	pF	V _{CC} = 5.0V
C _{PD}	Power Dissipation Capacitance	34.0	pF	V _{CC} = 5.0V

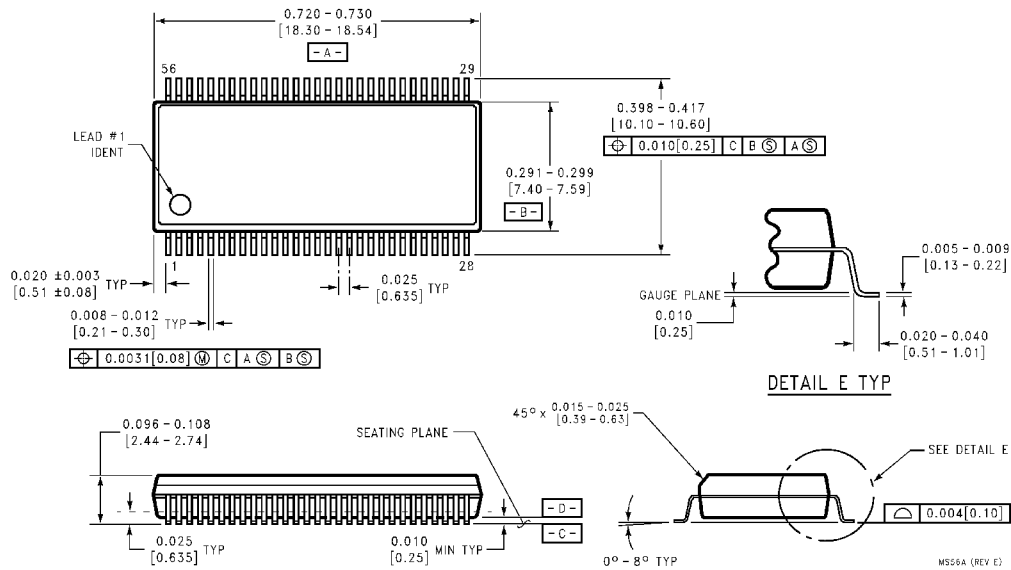


Ordering Information Scan Series



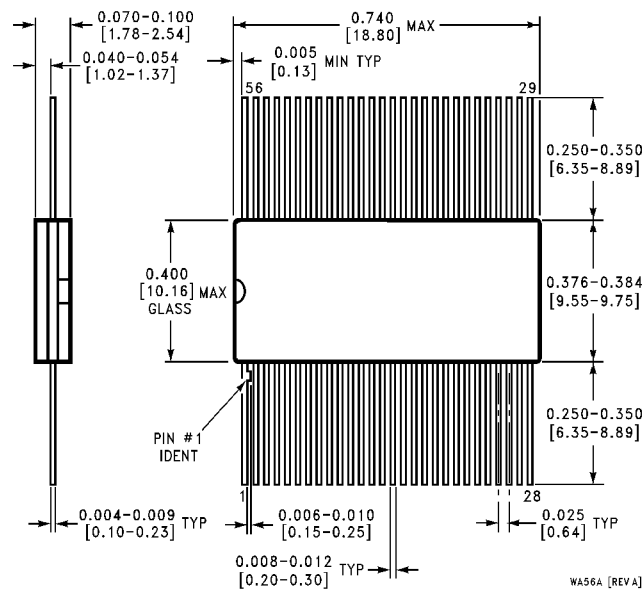
DS010953-26

Physical Dimensions inches (millimeters) unless otherwise noted



56-Lead SSOP (0.300" Wide)(SS)
Order Number SCAN18374TSSC or SCAN18374TSSCX
Package Number MS56A

Physical Dimensions inches (millimeters) unless otherwise noted (Continued)



56-Lead Ceramic Flatpak (F)
Order Number SCAN18374TFMQB
Package Number WA56A

LIFE SUPPORT POLICY

FAIRCHILD'S PRODUCTS ARE NOT AUTHORIZED FOR USE AS CRITICAL COMPONENTS IN LIFE SUPPORT DEVICES OR SYSTEMS WITHOUT THE EXPRESS WRITTEN APPROVAL OF THE PRESIDENT OF FAIRCHILD SEMICONDUCTOR CORPORATION. As used herein:

1. Life support devices or systems are devices or systems which, (a) are intended for surgical implant into the body, or (b) support or sustain life, and (c) whose failure to perform when properly used in accordance with instructions for use provided in the labeling, can be reasonably expected to result in a significant injury to the user.
2. A critical component in any component of a life support device or system whose failure to perform can be reasonably expected to cause the failure of the life support device or system, or to affect its safety or effectiveness.

Fairchild Semiconductor Corporation
 Americas
 Customer Response Center
 Tel: 1-888-522-5372

Fairchild Semiconductor Europe
 Fax: +49 (0) 1 80-530 85 86
 Email: europe.support@nsc.com
 Deutsch Tel: +49 (0) 8 141-35-0
 English Tel: +44 (0) 1 793-85-68-56
 Italy Tel: +39 (0) 2 57 5631

Fairchild Semiconductor Hong Kong Ltd.
 13th Floor, Straight Block,
 Ocean Centre, 5 Canton Rd.
 Tsimshatsui, Kowloon
 Hong Kong
 Tel: +852 2737-7200
 Fax: +852 2314-0061

National Semiconductor Japan Ltd.
 Tel: 81-3-5620-6175
 Fax: 81-3-5620-6179

www.fairchildsemi.com