

November 1997

Features

- Digital Design Avoids Analog Compensation Errors
- Easily Cascadable for Higher Order Loops
- Useful Frequency Range
 - K-Clock DC to 55MHz (Typ)
 - I/D-Clock DC to 35MHz (Typ)
- Dynamically Variable Bandwidth
- Very Narrow Bandwidth Attainable
- Power-On Reset
- Output Capability
 - Standard XORPD_{OUT}, ECPD_{OUT}
 - Bus Driver I/D_{OUT}
- Fanout (Over Temperature Range)
 - Standard Outputs 10 LSTTL Loads
 - Bus Driver Outputs 15 LSTTL Loads
- Balanced Propagation Delay and Transition Times
- Significant Power Reduction Compared to LSTTL Logic ICs
- CD74HC297 Types
 - Operation Voltage 2 to 6V
 - High Noise Immunity N_{IL} = 30%, N_{IH} = 30% of V_{CC} at 5V
- CD74HCT297 Types
 - Operation Voltage 4.5 to 5.5V
 - Direct LSTTL Input Logic Compatibility
V_{IL} = 0.8V (Max), V_{IH} = 2V (Min)
 - CMOS Input Compatibility I_I ≤ 1μA at V_{OL}, V_{OH}

Ordering Information

PART NUMBER	TEMP. RANGE (°C)	PACKAGE	PKG. NO.
CD74HC297E	-55 to 125	16 Ld PDIP	E16.3
CD74HCT297E	-55 to 125	16 Ld PDIP	E16.3

NOTES:

1. When ordering, use the entire part number. Add the suffix 96 to obtain the variant in the tape and reel.
2. Wafer or die for this part number is available which meets all electrical specifications. Please contact your local sales office or Harris customer service for ordering information.

Description

The Harris CD74HC297 and CD74HCT297 are high-speed silicon gate CMOS devices that are pin-compatible with low power Schottky TTL (LSTTL).

These devices are designed to provide a simple, cost-effective solution to high-accuracy, digital, phase-locked-loop applications. They contain all the necessary circuits, with the exception of the divide-by-N counter, to build first-order phase-locked-loops.

Both EXCLUSIVE-OR (XORPD) and edge-controlled phase detectors (ECPD) are provided for maximum flexibility. The input signals for the EXCLUSIVE-OR phase detector must have a 50% duty factor to obtain the maximum lock-range.

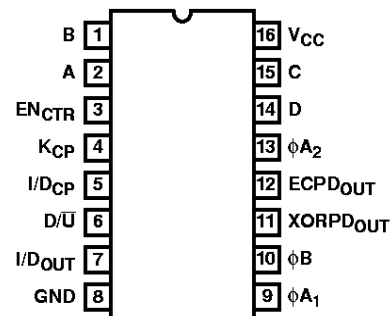
Proper partitioning of the loop function, with many of the building blocks external to the package, makes it easy for the designer to incorporate ripple cancellation (see Figure 2) or to cascade to higher order phase-locked-loops.

The length of the up/down K-counter is digitally programmable according to the K-counter function table. With A, B, C and D all LOW, the K-counter is disabled. With A HIGH and B, C and D LOW, the K-counter is only three stages long, which widens the bandwidth or capture range and shortens the lock time of the loop. When A, B, C and D are all programmed HIGH, the K-counter becomes seventeen stages long, which narrows the bandwidth or capture range and lengthens the lock time. Real-time control of loop bandwidth by manipulating the A to D inputs can maximize the overall performance of the digital phase-locked-loop.

The CD74HC297 and CD74HCT297 can perform the classic first order phase-locked-loop function without using analog components. The accuracy of the digital phase-locked-loop (DPLL) is not affected by V_{CC} and temperature variations but depends solely on accuracies of the K-clock and loop propagation delays.

Pinout

CD74HC297, CD74HCT297 (PDIP)
TOP VIEW



The phase detector generates an error signal waveform that, at zero phase error, is a 50% duty factor square wave. At the limits of linear operation, the phase detector output will be either HIGH or LOW all of the time depending on the direction of the phase error ($\phi_{IN} - \phi_{OUT}$). Within these limits the phase detector output varies linearly with the input phase error according to the gain K_d , which is expressed in terms of phase detector output per cycle or phase error. The phase detector output can be defined to vary between ± 1 according to the relation:

$$\text{phase detector output} = \frac{\% \text{HIGH} - \% \text{LOW}}{100}$$

The output of the phase detector will be $K_d \phi_e$, where the phase error $\phi_e = \phi_{IN} - \phi_{OUT}$.

EXCLUSIVE-OR phase detectors (XORPD) and edge-controlled phase detectors (ECPD) are commonly used digital types. The ECPD is more complex than the XORPD logic function but can be described generally as a circuit that changes states on one of the transitions of its inputs. The gain (K_d) for an XORPD is 4 because its output remains HIGH (XORPD_{OUT} = 1) for a phase error of one quarter cycle.

Similarly, K_d for the ECPD is 2 since its output remains HIGH for a phase error of one half cycle. The type of phase detector will determine the zero-phase-error point, i.e., the phase separation of the phase detector inputs for a ϕ_e defined to be zero. For the basic DPLL system of Figure 3, $\phi_e = 0$ when the phase detector output is a square wave.

The XORPD inputs are one quarter cycle out-of-phase for zero phase error. For the ECPD, $\phi_e = 0$ when the inputs are one half cycle out of phase.

The phase detector output controls the up/down input to the K-counter. The counter is clocked by input frequency Mf_c which is a multiple M of the loop center frequency f_c . When the K-counter recycles up, it generates a carry pulse. Recycling while counting down generates a borrow pulse. If the carry and the borrow outputs are conceptually combined into one output that is positive for a carry and negative for a borrow, and if the K-counter is considered as a frequency divider with the ratio Mf_c/K , the output of the K-counter will equal the input frequency multiplied by the division ratio. Thus the output from the K-counter is $(K_d \phi_e Mf_c)/K$.

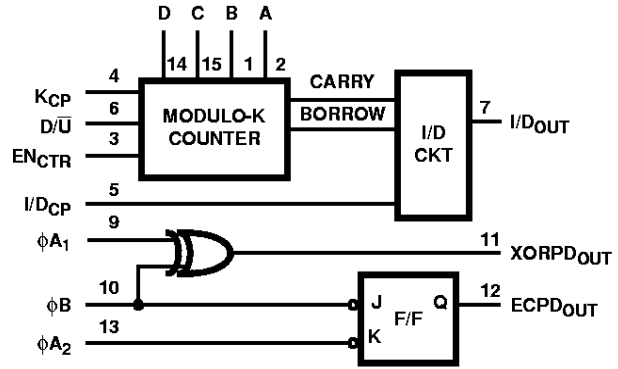
The carry and borrow pulses go to the increment/decrement (I/D) circuit which, in the absence of any carry or borrow pulses has an output that is one half of the input clock (I/D_{CP}). The input clock is just a multiple, 2N, of the loop center frequency. In response to a carry or borrow pulse, the I/D circuit will either add or delete a pulse at I/D_{OUT}. Thus the output of the I/D circuit will be $Nf_c + (K_d \phi_e Mf_c)/2K$.

The output of the N-counter (or the output of the phase-locked-loop) is thus: $f_o = f_c + (K_d \phi_e Mf_c)/2KN$.

If this result is compared to the equation for a first-order analog phase-locked-loop, the digital equivalent of the gain of the VCO is just $Mf_c/2KN$ or f_c/K for $M = 2N$.

Thus, the simple first-order phase-locked-loop with an adjustable K-counter is the equivalent of an analog phase-locked-loop with a programmable VCO gain.

Functional Diagram



**FUNCTION TABLE
EXCLUSIVE-OR PHASE DETECTOR**

ϕA_1	ϕB	XORPD OUT
L	L	L
L	H	H
H	L	H
H	H	L

**FUNCTION TABLE
EDGE-CONTROLLED PHASE DETECTOR**

ϕA_2	ϕB	ECPD OUT
H or L	↓	H
↓	H or L	L
H or L	↑	No Change
↑	H or L	No Change

H = Steady-State High Level, L = Steady-State Low Level, ↑ = LOW to HIGH ϕ Transition, ↓ = HIGH to LOW ϕ Transition

**K-COUNTER FUNCTION TABLE
(DIGITAL CONTROL)**

D	C	B	A	MODULO (K)
L	L	L	L	Inhibited
L	L	L	H	2^3
L	L	H	L	2^4
L	L	H	H	2^5
L	H	L	L	2^6
L	H	L	H	2^7
L	H	H	L	2^8
L	H	H	H	2^9
H	L	L	L	2^{10}
H	L	L	H	2^{11}
H	L	H	L	2^{12}
H	L	H	H	2^{13}
H	H	L	L	2^{14}
H	H	L	H	2^{15}
H	H	H	L	2^{16}
H	H	H	H	2^{17}

CD74HC297, CD74HCT297

Absolute Maximum Ratings

DC Supply Voltage, V_{CC}	-0.5V to 7V
DC Input Diode Current, I_{IK}	
For $V_I < -0.5V$ or $V_I > V_{CC} + 0.5V$	$\pm 20mA$
DC Output Diode Current, I_{OK}	
For $V_O < -0.5V$ or $V_O > V_{CC} + 0.5V$	$\pm 20mA$
DC Drain Current, per Output, I_O	
For $-0.5V < V_O < V_{CC} + 0.5V$	$\pm 25mA$
DC Output Source or Sink Current per Output Pin, I_O	
For $V_O > -0.5V$ or $V_O < V_{CC} + 0.5V$	$\pm 25mA$
DC V_{CC} or Ground Current, I_{CC}	$\pm 50mA$

Thermal Information

Thermal Resistance (Typical, Note 2)	θ_{JA} ($^{\circ}C/W$)
PDIP Package	90
Maximum Junction Temperature	150 $^{\circ}C$
Maximum Storage Temperature Range	-65 $^{\circ}C$ to 150 $^{\circ}C$
Maximum Lead Temperature (Soldering 10s)	300 $^{\circ}C$

Operating Conditions

Temperature Range, T_A	-55 $^{\circ}C$ to 125 $^{\circ}C$
Supply Voltage Range, V_{CC}	
HC Types	2V to 6V
HCT Types	4.5V to 5.5V
DC Input or Output Voltage, V_I, V_O	0V to V_{CC}
Input Rise and Fall Time	
2V	1000ns (Max)
4.5V	500ns (Max)
6V	400ns (Max)

CAUTION: Stresses above those listed in "Absolute Maximum Ratings" may cause permanent damage to the device. This is a stress only rating and operation of the device at these or any other conditions above those indicated in the operational sections of this specification is not implied.

NOTE:

- θ_{JA} is measured with the component mounted on an evaluation PC board in free air.

DC Electrical Specifications

PARAMETER	SYMBOL	TEST CONDITIONS		V_{CC} (V)	25 $^{\circ}C$			-40 $^{\circ}C$ TO 85 $^{\circ}C$		-55 $^{\circ}C$ TO 125 $^{\circ}C$		UNITS	
		V_I (V)	I_O (mA)		MIN	TYP	MAX	MIN	MAX	MIN	MAX		
HC TYPES													
High Level Input Voltage	V_{IH}	-	-	2	1.5	-	-	1.5	-	1.5	-	V	
				4.5	3.15	-	-	3.15	-	3.15	-	V	
				6	4.2	-	-	4.2	-	4.2	-	V	
Low Level Input Voltage	V_{IL}	-	-	2	-	-	0.5	-	0.5	-	0.5	V	
				4.5	-	-	1.35	-	1.35	-	1.35	V	
				6	-	-	1.8	-	1.8	-	1.8	V	
High Level Output Voltage CMOS Loads	V_{OH}	V_{IH} or V_{IL}	-0.02	-0.02	2	1.9	-	-	1.9	-	1.9	-	V
			-0.02	-0.02	4.5	4.4	-	-	4.4	-	4.4	-	V
			-0.02	-0.02	6	5.9	-	-	5.9	-	5.9	-	V
High Level Output Voltage TTL Loads	V_{OH}	V_{IH} or V_{IL}	-6 (Note 4)	-6	4.5	3.98	-	-	3.84	-	3.7	-	V
			-7.8 (Note 4)	-7.8	6	5.48	-	-	5.34	-	5.2	-	V
Low Level Output Voltage CMOS Loads	V_{OL}	V_{IH} or V_{IL}	0.02	0.02	2	-	-	0.1	-	0.1	-	0.1	V
			0.02	0.02	4.5	-	-	0.1	-	0.1	-	0.1	V
			0.02	0.02	6	-	-	0.1	-	0.1	-	0.1	V
Low Level Output Voltage TTL Loads	V_{OL}	V_{IH} or V_{IL}	4 (Note 4)	4	4.5	-	-	0.26	-	0.33	-	0.4	V
			5.2 (Note 4)	5.2	6	-	-	0.26	-	0.33	-	0.4	V

CD74HC297, CD74HCT297

DC Electrical Specifications (Continued)

PARAMETER	SYMBOL	TEST CONDITIONS		V_{CC} (V)	25°C			-40°C TO 85°C		-55°C TO 125°C		UNITS
		V_I (V)	I_O (mA)		MIN	TYP	MAX	MIN	MAX	MIN	MAX	
Input Leakage Current	I_I	V_{CC} or GND	-	6	-	-	±0.1	-	±1	-	±1	μA
Quiescent Device Current	I_{CC}	V_{CC} or GND	0	6	-	-	8	-	80	-	160	μA
HCT TYPES												
High Level Input Voltage	V_{IH}	-	-	4.5 to 5.5	2	-	-	2	-	2	-	V
Low Level Input Voltage	V_{IL}	-	-	4.5 to 5.5	-	-	0.8	-	0.8	-	0.8	V
High Level Output Voltage CMOS Loads	V_{OH}	V_{IH} or V_{IL}	-0.02	4.5	4.4	-	-	4.4	-	4.4	-	V
High Level Output Voltage TTL Loads			-4	4.5	3.98	-	-	3.84	-	3.7	-	V
Low Level Output Voltage CMOS Loads	V_{OL}	V_{IH} or V_{IL}	0.02	4.5	-	-	0.1	-	0.1	-	0.1	V
Low Level Output Voltage TTL Loads			4	4.5	-	-	0.26	-	0.33	-	0.4	V
Input Leakage Current	I_I	V_{CC} to GND	0	5.5	-	-	±0.1	-	±1	-	±1	μA
Quiescent Device Current	I_{CC}	V_{CC} or GND	0	5.5	-	-	8	-	80	-	160	μA
Additional Quiescent Device Current Per Input Pin: 1 Unit Load (Note 3)	ΔI_{CC}	V_{CC} -2.1	-	4.5 to 5.5	-	100	360	-	450	-	490	μA

NOTE:

4. For dual-supply systems theoretical worst case ($V_I = 2.4V$, $V_{CC} = 5.5V$) specification is 1.8mA.
5. XORPD, ECPD

HCT Input Loading Table

INPUT	UNIT LOADS
EN_{CTR} , D/\bar{U}	0.3
A, B, C, D, K_{CP} , ϕA_2	0.6
I/D_{CP} , ϕA_1 , ϕB	1.5

NOTE: Unit Load is ΔI_{CC} limit specified in DC Electrical Specifications table, e.g., 360μA max at 25°C.

CD74HC297, CD74HCT297

Prerequisite For Switching Function

PARAMETER	SYMBOL	V _{CC} (V)	25°C		-40°C TO 85°C		-55°C TO 125°C		UNITS
			MIN	MAX	MIN	MAX	MIN	MAX	
HC TYPES									
Maximum Clock Frequency K _{CP}	f _{MAX}	2	6	-	5	-	4	-	MHz
		4.5	30	-	24	-	20	-	MHz
		6	35	-	28	-	24	-	MHz
Maximum Clock Frequency I/D _{CP}	f _{MAX}	2	4	-	3	-	2	-	MHz
		4.5	20	-	16	-	13	-	MHz
		6	24	-	19	-	15	-	MHz
Clock Pulse Width K _{CP}	t _w	2	80	-	100	-	120	-	ns
		4.5	16	-	20	-	24	-	ns
		6	14	-	17	-	20	-	ns
Clock Pulse Width I/D _{CP}	t _w	2	125	-	155	-	190	-	ns
		4.5	25	-	31	-	38	-	ns
		6	21	-	26	-	32	-	ns
Set-up Time D/ \bar{U} , EN _{CTR} to K _{CP}	t _{SU}	2	100	-	125	-	150	-	ns
		4.5	20	-	25	-	30	-	ns
		6	17	-	21	-	26	-	ns
Hold Time D/ \bar{U} , EN _{CTR} to K _{CP}	t _H	2	0	-	0	-	0	-	ns
		4.5	0	-	0	-	0	-	ns
		6	0	-	0	-	0	-	ns
HCT TYPES									
Maximum Clock Frequency K _{CP}	f _{MAX}	4.5	30	-	24	-	20	-	MHz
Maximum Clock Frequency I/D _{CP}	f _{MAX}	4.5	20	-	16	-	13	-	MHz
Clock Pulse Width K _{CP}	t _w	4.5	16	-	20	-	24	-	ns
Clock Pulse Width I/D _{CP}	t _w	4.5	25	-	31	-	38	-	ns
Set-up Time D/ \bar{U} , EN _{CTR} to K _{CP}	t _{SU}	4.5	20	-	25	-	30	-	ns
Hold Time D/ \bar{U} , EN _{CTR} to K _{CP}	t _H	4.5	0	-	0	-	0	-	ns

Switching Specifications Input t_r, t_f = 6ns

PARAMETER	SYMBOL	TEST CONDITIONS	V _{CC} (V)	25°C		-40°C TO 85°C	-55°C TO 125°C	UNITS
				TYP	MAX	MAX	MAX	
HC TYPES								
Propagation Delay, I/D _{CP} to I/D _{OUT}	t _{PLH} , t _{PHL}	C _L = 50pF	2	-	175	220	265	ns
			4.5	-	35	44	53	ns
			6	-	30	34	43	ns

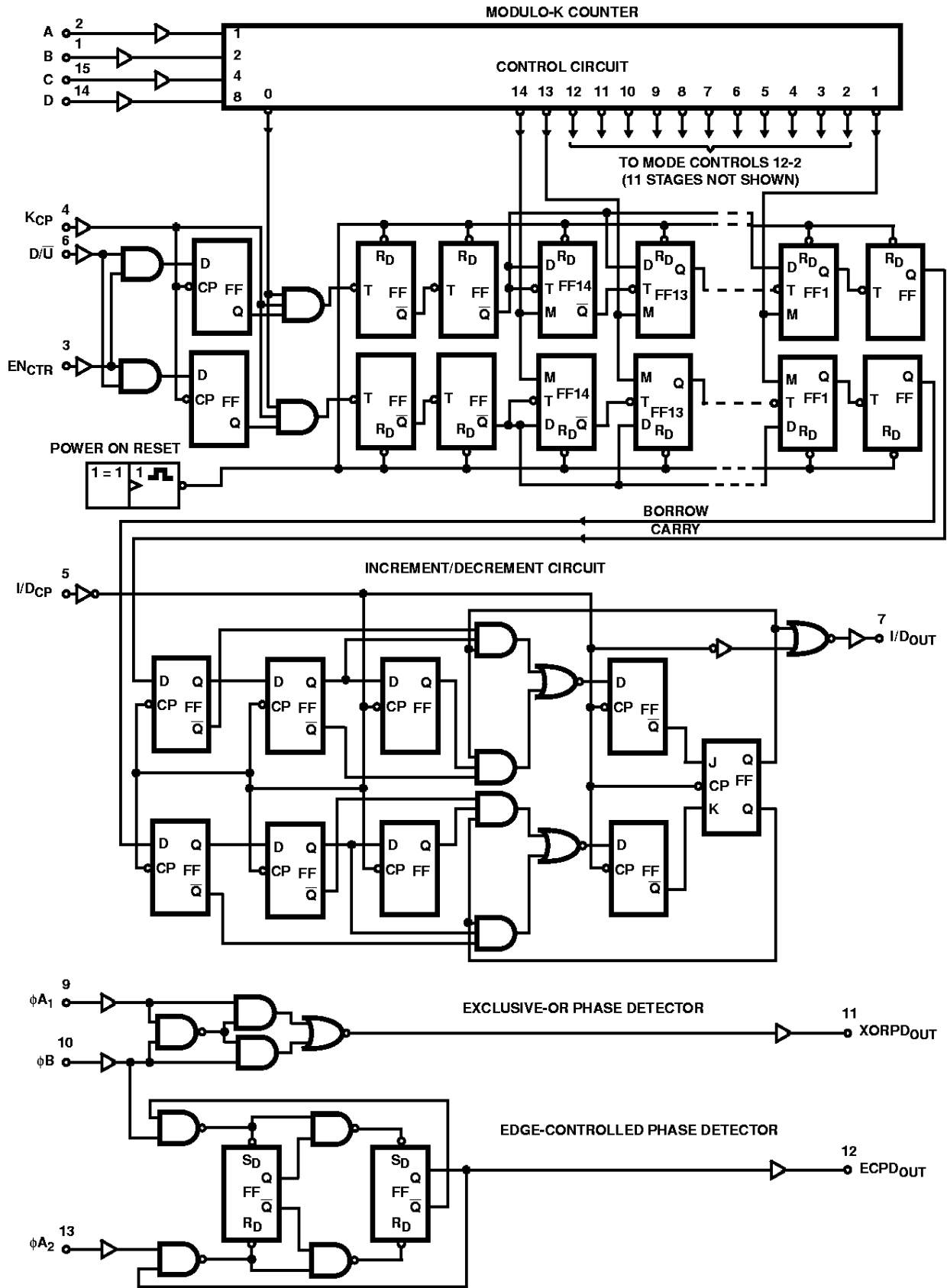
CD74HC297, CD74HCT297

Switching Specifications Input $t_r, t_f = 6\text{ns}$ (Continued)

PARAMETER	SYMBOL	TEST CONDITIONS	V_{CC} (V)	25°C		-40°C TO 85°C	-55°C TO 125°C	UNITS
				TYP	MAX	MAX	MAX	
Propagation Delay, $\phi A_1, \phi B$ to XORPD _{OUT}	t_{PLH}, t_{PHL}	$C_L = 50\text{pF}$	2	-	150	190	225	ns
			4.5	-	30	38	45	ns
			6	-	26	33	38	ns
Propagation Delay, $\phi B, \phi A_2$ to ECPD _{OUT}	t_{PHL}, t_{PHL}	$C_L = 50\text{pF}$	2	-	200	250	300	ns
			4.5	-	40	50	60	ns
			6	-	34	43	51	ns
Output Transition Time XORPD _{OUT} ECPD _{OUT}	t_{TLH}	$C_L = 50\text{pF}$	2	-	75	95	110	ns
			4.5	-	15	19	22	ns
			6	-	13	16	19	ns
Output Transition Time I/D _{OUT}	t_{TLH}	$C_L = 50\text{pF}$	2	-	60	75	90	ns
			4.5	-	12	15	18	ns
			6	-	10	13	15	ns
Input Capacitance	C_I	-	-	-	10	10	10	pF
HCT TYPES								
Propagation Delay, I/D _{CP} to I/D _{OUT}	t_{PLH}, t_{PHL}	$C_L = 50\text{pF}$	4.5	-	35	44	53	ns
Propagation Delay, $\phi A_1, \phi B$ to XORPD _{OUT}	t_{PLH}, t_{PHL}	$C_L = 50\text{pF}$	4.5	-	30	38	45	ns
Propagation Delay, $\phi B, \phi A_2$ to ECPD _{OUT}	t_{PHL}, t_{PHL}	$C_L = 50\text{pF}$	4.5	-	40	50	60	ns
Output Transition Time XORPD _{OUT}	t_{TLH}	$C_L = 50\text{pF}$	4.5	-	15	19	22	ns
Output Transition Time ECPD _{OUT}	t_{TLH}	$C_L = 50\text{pF}$	4.5	-	12	15	18	ns
Input Capacitance	C_I	-	-	-	10	10	10	pF

CD74HC297, CD74HCT297

Logic Diagram



CD74HC297, CD74HCT297

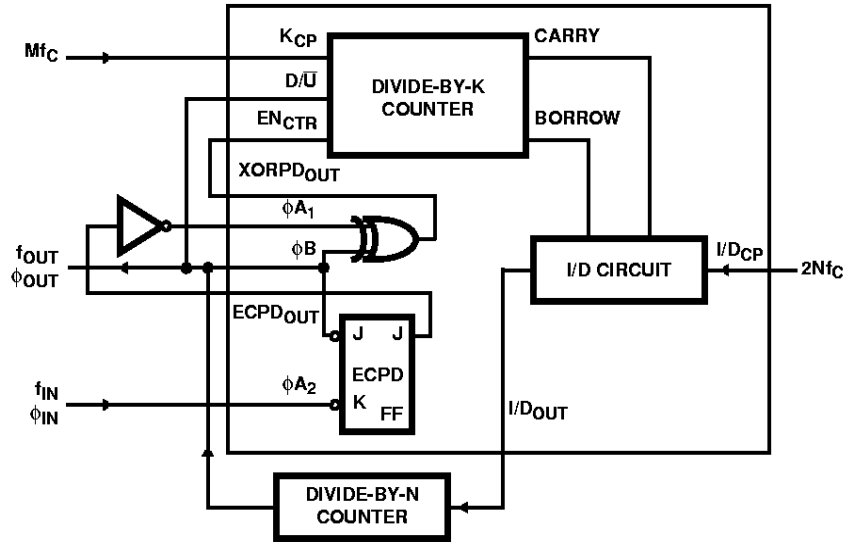


FIGURE 1. DPLL USING BOTH PHASE DETECTORS IN A RIPPLE-CANCELLATION SCHEME

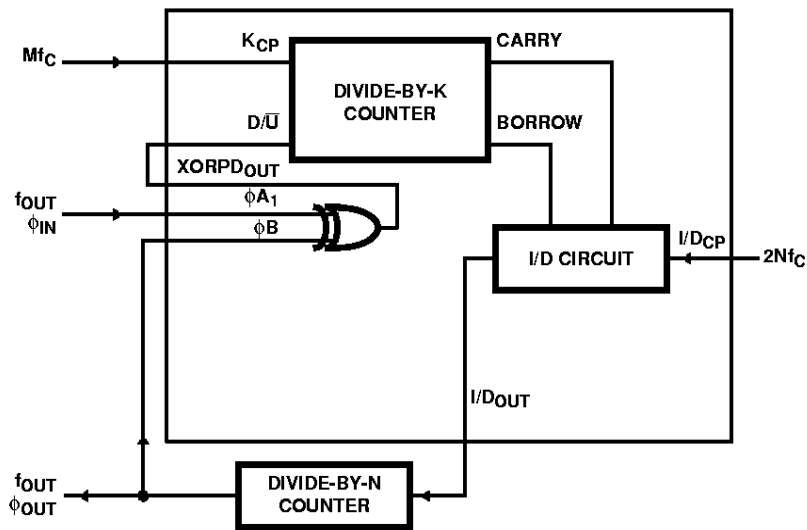


FIGURE 2. DPLL USING EXCLUSIVE-OR PHASE DETECTION

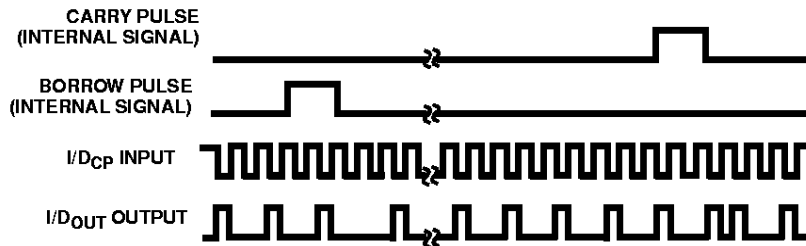


FIGURE 3. TIMING DIAGRAM: I/D_{OUT} IN-LOCK CONDITION

CD74HC297, CD74HCT297

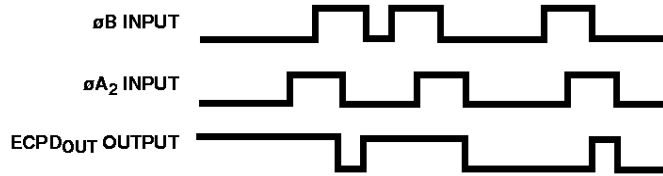


FIGURE 4. TIMING DIAGRAM: EDGE CONTROLLED PHASE COMPARATOR WAVEFORMS

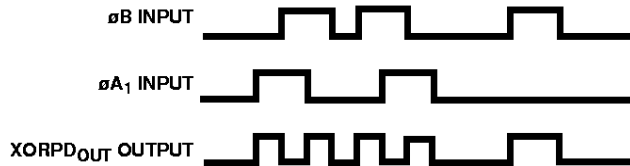


FIGURE 5. TIMING DIAGRAM: EXCLUSIVE OR PHASE DETECTOR WAVEFORMS

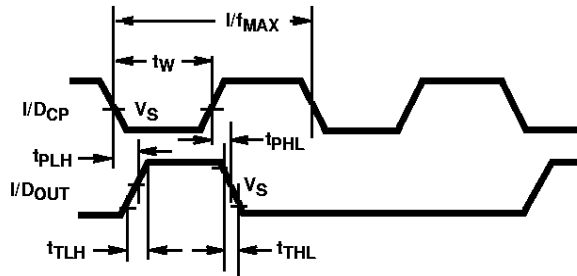


FIGURE 6. WAVEFORMS SHOWING THE CLOCK (I/D_{CP}) TO OUTPUT (I/D_{OUT}) PROPAGATION DELAYS, CLOCK PULSE WIDTH, OUTPUT TRANSITION TIMES AND MAXIMUM CLOCK PULSE FREQUENCY

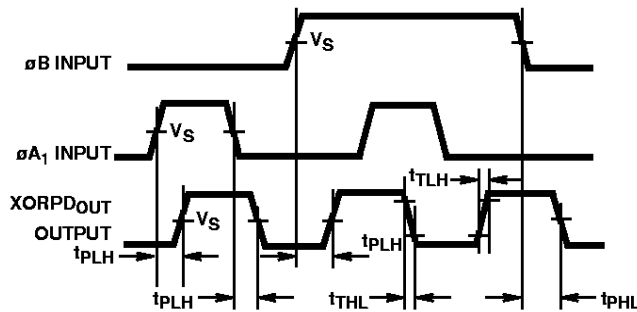


FIGURE 7. WAVEFORMS SHOWING THE PHASE INPUT (σB , σA_1) TO OUTPUT ($XORPD_{OUT}$) PROPAGATION DELAYS AND OUTPUT TRANSITION TIMES