

Rochester Electronics Manufactured Components

Rochester branded components are manufactured using either die/wafers purchased from the original suppliers or Rochester wafers recreated from the original IP. All recreations are done with the approval of the OCM.

Parts are tested using original factory test programs or Rochester developed test solutions to guarantee product meets or exceed the OCM data sheet.

Quality Overview

- ISO-9001
- AS9120 certification
- Qualified Manufacturers List (QML) MIL-PRF-35835
 - Class Q Military
 - Class V Space Level
- Qualified Suppliers List of Distributors (QSLD)
 - Rochester is a critical supplier to DLA and meets all industry and DLA standards.

Rochester Electronics, LLC is committed to supplying products that satisfy customer expectations for quality and are equal to those originally supplied by industry manufacturers.

The original manufacturer's datasheet accompanying this document reflects the performance and specifications of the Rochester manufactured version of this device. Rochester Electronics guarantees the performance of its semiconductor products to the original OEM specifications. 'Typical' values are for reference purposes only. Certain minimum or maximum ratings may be based on product characterization, design, simulation, or sample testing.

TL060, TL060A, TL060B, TL061, TL061A, TL061B TL062, TL062A, TL062B, TL064, TL064A, TL064B LOW-POWER JFET-INPUT OPERATIONAL AMPLIFIERS

D2392, NOVEMBER 1978 – REVISED NOVEMBER 1988

20 DEVICES COVER MILITARY, INDUSTRIAL, AND COMMERCIAL TEMPERATURE RANGES

- Very Low Power Consumption
- Typical Supply Current . . . 200 μ A (per Amplifier)
- Wide Common-Mode and Differential Voltage Ranges
- Low Input Bias and Offset Currents
- Common-Mode Input Voltage Range Includes V_{CC+}
- Output Short-Circuit Protection
- High Input Impedance . . . JFET-Input Stage
- Internal Frequency Compensation (Except TL060)
- Latch-Up-Free Operation
- High Slew Rate . . . 3.5 V/ μ s Typ

2

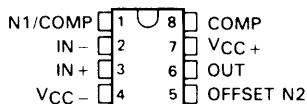
description

The JFET-input operational amplifiers of the TL061 series are designed as low-power versions of the TL081 series amplifiers. They feature high input impedance, wide bandwidth, high slew rate, and low input offset and bias currents. The TL061 series features the same terminal assignments as the TL071 and TL081 series. Each of these JFET-input operational amplifiers incorporates well-matched, high-voltage JFET and bipolar transistors in a monolithic integrated circuit.

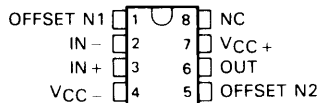
M-suffix devices are characterized for operation over the full military temperature range of -55°C to 125°C . I-suffix devices are characterized for operation from -40°C to 85°C , and C-suffix devices are characterized for operation from 0°C to 70°C .

Operational Amplifiers

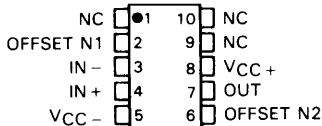
TL060, TL060A, TL060B
D, JG, OR P PACKAGE
(TOP VIEW)



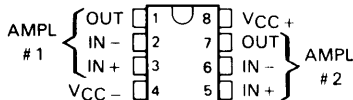
TL061, TL061A, TL061B
D, JG, OR P PACKAGE
(TOP VIEW)



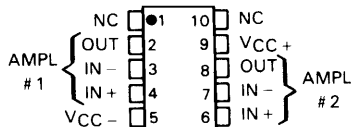
TL061 . . . U PACKAGE
(TOP VIEW)



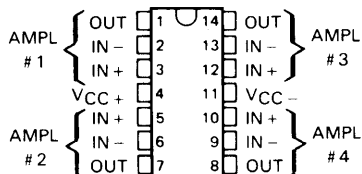
TL062, TL062A, TL062B
D, JG, OR P PACKAGE
(TOP VIEW)



TL062 . . . U PACKAGE
(TOP VIEW)



TL064 . . . D, J, N, OR W PACKAGE
TL064A, TL064B . . . D, J, OR N PACKAGE
(TOP VIEW)



PRODUCTION DATA documents contain information current as of publication date. Products conform to specifications per the terms of Texas Instruments standard warranty. Production processing does not necessarily include testing of all parameters.



Copyright © 1983 by Texas Instruments Incorporated

POST OFFICE BOX 655012 • DALLAS, TEXAS 75265

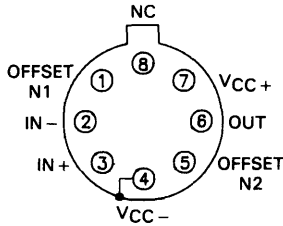
2-357

**TL060, TL060A, TL060B, TL061, TL061A, TL061B
TL062, TL062A, TL064, TL064A, TL064B
LOW-POWER JFET-INPUT OPERATIONAL AMPLIFIERS**

2

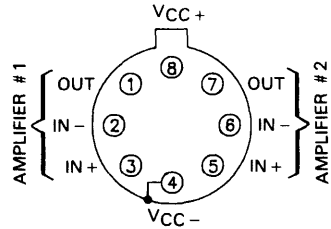
Operational Amplifiers

**TL061 . . . L PACKAGE
(TOP VIEW)**



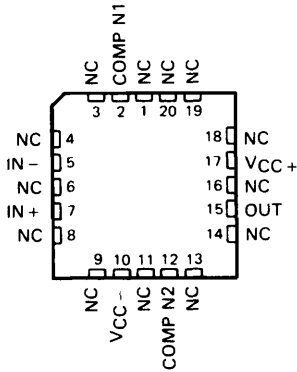
PIN 4 IS IN ELECTRICAL CONTACT WITH THE CASE

**TL062 . . . L PACKAGE
(TOP VIEW)**

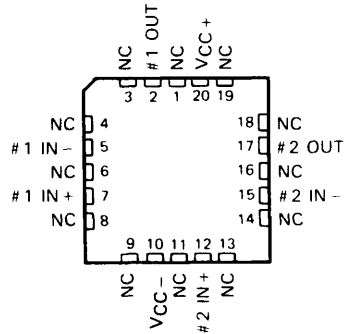


PIN 4 IS IN ELECTRICAL CONTACT WITH THE CASE

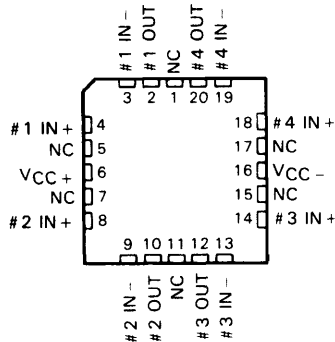
**TL061 . . . FK PACKAGE
(TOP VIEW)**



**TL062 . . . FK PACKAGE
(TOP VIEW)**



**TL064 . . . FK PACKAGE
(TOP VIEW)**



NC—No internal connection

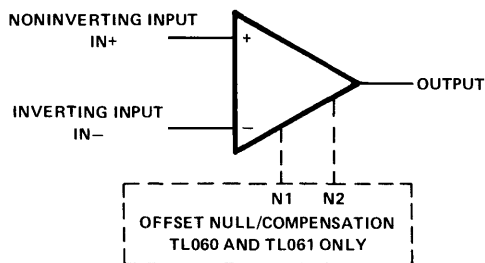
**TL060, TL060A, TL060B, TL061, TL061A, TL061B
TL062, TL062A, TL062B, TL064, TL064A, TL064B
LOW-POWER JFET-INPUT OPERATIONAL AMPLIFIERS**

AVAILABLE OPTIONS

T _A	V _{IO} MAX at 25°C	PACKAGE								
		SMALL OUTLINE (D)	CHIP CARRIER (FK)	CERAMIC DIP (J)	CERAMIC DIP (JG)	PLUG- IN (L)	PLASTIC DIP (N)	PLASTIC DIP (P)	FLAT PACK (U)	FLAT PACK (W)
0°C to 70°C	15 mV	TL060CD			TL060CJG			TL060CP		
	6 mV	TL060ACD			TL060ACJG			TL060ACP		
	3 mV	TL060BCD			TL060BCJG			TL060BCP		
	15 mV	TL061CD			TL061CJG			TL061CP		
	6 mV	TL061ACD			TL061ACJG			TL061ACP		
	3 mV	TL061BCD			TL061BCJG			TL061BCP		
	15 mV	TL062CD			TL062CJG			TL062CP		
	6 mV	TL062ACD			TL062ACJG			TL062ACP		
	3 mV	TL062BCD			TL062BCJG			TL062BCP		
	15 mV	TL064CD		TL064CJ			TL064CN			
	6 mV	TL064ACD		TL064ACJ			TL064ACN			
	3 mV	TL064BCD		TL064BCJ			TL064BCN			
-40°C to 85°C	6 mV	TL060ID			TL060IJG			TL060IP		
	6 mV	TL061ID			TL061IJG			TL061IP		
	6 mV	TL062ID			TL062IJG			TL062IP		
	6 mV	TL064ID		TL064IJ			TL064IN			
-55°C to 125°C	6 mV		TL061MFK		TL061MJG	TL061ML			TL061MU	
	6 mV		TL062MFK		TL062MJG	TL062ML			TL062MU	
	9 mV		TL064MFK	TL064MJ						TL064MW

The D package is available taped and reeled. Add the suffix R to the device type (e.g., TL061CDR).

symbol (each amplifier)



2

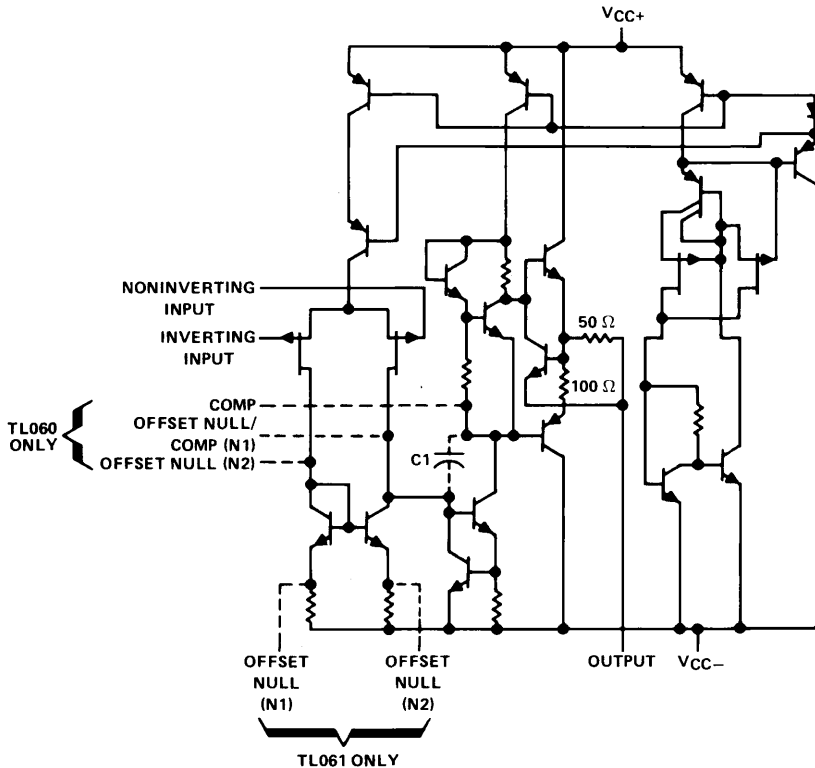
Operational Amplifiers

**TL060, TL060A, TL060B, TL061, TL061A, TL061B
 TL062, TL062A, TL064, TL064A, TL064B
 LOW-POWER JFET-INPUT OPERATIONAL AMPLIFIERS**

schematic (each amplifier)

2

Operational Amplifiers



C1 = 10 pF ON TL061, TL062, AND TL064 ONLY
 COMPONENT VALUES SHOWN ARE NOMINAL

**TL060, TL060A, TL060B, TL061, TL061A, TL061B
TL062, TL062A, TL062B, TL064, TL064A, TL064B
LOW-POWER JFET-INPUT OPERATIONAL AMPLIFIERS**

absolute maximum ratings over operating free-air temperature range (unless otherwise noted)

	TL06_M	TL06_I	TL06_C, TL06_AC, TL06_BC	UNIT
Supply voltage, V_{CC+} (see Note 1)	18	18	18	V
Supply voltage, V_{CC-} (see Note 1)	-18	-18	-18	V
Differential input voltage (see Note 2)	± 30	± 30	± 30	V
Input voltage (see Notes 1 and 3)	± 15	± 15	± 15	V
Voltage between power-control terminal and V_{CC-}	± 0.5	± 0.5	± 0.5	V
Duration of output short circuit (see Note 4)	unlimited	unlimited	unlimited	
Continuous total dissipation	See Dissipation Rating Table			
Operating free-air temperature range	-55 to 125	-40 to 85	0 to 70	$^{\circ}\text{C}$
Storage temperature range	-65 to 150	-65 to 150	-65 to 150	$^{\circ}\text{C}$
Case temperature for 60 seconds	FK package	260		$^{\circ}\text{C}$
Lead temperature 1,6 mm (1/16 inch) from case for 60 seconds	J, JG, U or W package	300	300	$^{\circ}\text{C}$
Lead temperature 1,6 mm (1/16 inch) from case for 10 seconds	D, N or P package		260	$^{\circ}\text{C}$
Lead temperature 1,6 mm (1/16 inch) from case for 10 seconds	L package	300		$^{\circ}\text{C}$

- NOTES: 1. All voltage values, except differential voltages, are with respect to the midpoint between V_{CC+} and V_{CC-} .
 2. Differential voltages are at the noninverting input terminal with respect to the inverting input terminal.
 3. The magnitude of the input voltage must never exceed the magnitude of the supply voltage or 15 V, whichever is less.
 4. The output may be shorted to ground or to either supply. Temperature and/or supply voltages must be limited to ensure that the dissipation rating is not exceeded.

DISSIPATION RATING TABLE

PACKAGE	$T_A \leq 25^{\circ}\text{C}$ POWER RATING	DERATING FACTOR	DERATE ABOVE T_A	$T_A = 70^{\circ}\text{C}$ POWER RATING	$T_A = 85^{\circ}\text{C}$ POWER RATING	$T_A = 125^{\circ}\text{C}$ POWER RATING
D (8-pin)	680 mW	5.8 mW/ $^{\circ}\text{C}$	33 $^{\circ}\text{C}$	464 mW	377 mW	N/A
D (14-pin)	680 mW	7.6 mW/ $^{\circ}\text{C}$	60 $^{\circ}\text{C}$	608 mW	494 mW	N/A
FK	680 mW	11.0 mW/ $^{\circ}\text{C}$	88 $^{\circ}\text{C}$	680 mW	680 mW	275 mW
J (TL06_M)	680 mW	11.0 mW/ $^{\circ}\text{C}$	88 $^{\circ}\text{C}$	680 mW	680 mW	275 mW
J (all others)	680 mW	8.2 mW/ $^{\circ}\text{C}$	67 $^{\circ}\text{C}$	656 mW	533 mW	N/A
JG (TL06_M)	680 mW	8.4 mW/ $^{\circ}\text{C}$	69 $^{\circ}\text{C}$	672 mW	546 mW	210 mW
JG (all others)	680 mW	6.6 mW/ $^{\circ}\text{C}$	47 $^{\circ}\text{C}$	528 mW	429 mW	N/A
L	680 mW	6.6 mW/ $^{\circ}\text{C}$	47 $^{\circ}\text{C}$	528 mW	429 mW	165 mW
N	680 mW	9.2 mW/ $^{\circ}\text{C}$	76 $^{\circ}\text{C}$	680 mW	598 mW	N/A
P	680 mW	8.0 mW/ $^{\circ}\text{C}$	65 $^{\circ}\text{C}$	640 mW	520 mW	N/A
U	675 mW	5.4 mW/ $^{\circ}\text{C}$	25 $^{\circ}\text{C}$	432 mW	351 mW	135 mW
W	680 mW	8.0 mW/ $^{\circ}\text{C}$	65 $^{\circ}\text{C}$	640 mW	520 mW	200 mW

2

Operational Amplifiers

TL061M, TL062M, TL064M

LOW-POWER JFET-INPUT OPERATIONAL AMPLIFIERS

electrical characteristics, $V_{CC\pm} = \pm 15\text{ V}$ (unless otherwise noted)

PARAMETER	TEST CONDITIONS [†]		TL061M TL062M			TL064M			UNIT
			MIN	TYP	MAX	MIN	TYP	MAX	
V_{IO} Input offset voltage	$V_O = 0,$ $R_S = 50\ \Omega,$	$T_A = 25\ ^\circ\text{C}$ $T_A = -55\ ^\circ\text{C to } 125\ ^\circ\text{C}$	3 6			3 9			mV
α_{VIO} Temperature coefficient of input offset voltage	$V_O = 0,$ $T_A = -55\ ^\circ\text{C to } 125\ ^\circ\text{C}$	$R_S = 50\ \Omega,$	10			10			$\mu\text{V}/^\circ\text{C}$
I_{IO} Input offset current [‡]	$V_O = 0$	$T_A = 25\ ^\circ\text{C}$ $T_A = -55\ ^\circ\text{C to } 125\ ^\circ\text{C}$	5 100			5 100			pA
I_{IB} Input bias current	$V_O = 0$	$T_A = 25\ ^\circ\text{C}$ $T_A = -55\ ^\circ\text{C to } 125\ ^\circ\text{C}$	30 200			30 200			pA
V_{ICR} Common-mode input voltage range	$T_A = 25\ ^\circ\text{C}$		-12 to +15			-12 to +15			V
V_{OM} Maximum peak output voltage swing	$R_L = 10\ \text{k}\Omega, T_A = 25\ ^\circ\text{C}$ $R_L \geq 10\ \text{k}\Omega, T_A = -55\ ^\circ\text{C to } 125\ ^\circ\text{C}$		$\pm 10\ \pm 13.5$			$\pm 10\ \pm 13.5$			V
A_{VD} Large-signal differential voltage amplification	$V_O = \pm 10\ \text{V},$ $R_L \geq 10\ \text{k}\Omega$	$T_A = 25\ ^\circ\text{C}$ $T_A = -55\ ^\circ\text{C to } 125\ ^\circ\text{C}$	4 6			4 6			V/mV
B_1 Unity-gain bandwidth	$R_L = 10\ \text{k}\Omega, T_A = 25\ ^\circ\text{C}$								MHz
r_i Input resistance	$T_A = 25\ ^\circ\text{C}$		10^{12}			10^{12}			Ω
CMRR Common-mode rejection ratio	$V_{IC} = V_{ICR\ min}, V_O = 0,$ $R_S = 50\ \Omega, T_A = 25\ ^\circ\text{C}$		80 86			80 86			dB
k_{SVR} Supply voltage rejection ratio ($\Delta V_{CC\pm}/\Delta V_{IO}$)	$V_{CC} = \pm 15\ \text{V to } \pm 9\ \text{V}, V_O = 0,$ $R_S = 50\ \Omega, T_A = 25\ ^\circ\text{C}$		80 95			80 95			dB
P_D Total power dissipation (each amplifier)	No load, $V_O = 0,$ $T_A = 25\ ^\circ\text{C}$		6 7.5			6 7.5			mW
I_{CC} Supply current (each amplifier)	No load, $V_O = 0,$ $T_A = 25\ ^\circ\text{C}$		200 250			200 250			μA
V_{O1}/V_{O2} Crosstalk attenuation	$A_{VD} = 100, T_A = 25\ ^\circ\text{C}$		120			120			dB

[†]All characteristics are measured under open-loop conditions with zero common-mode voltage unless otherwise specified.

[‡]Input bias currents of a FET-input operational amplifier are normal junction reverse currents, which are temperature sensitive as shown in Figure 17. Pulse techniques must be used that will maintain the junction temperature as close to the ambient temperature as possible.

2

Operational Amplifiers

**TL060, TL060A, TL060B, TL061, TL061A, TL061B
TL062, TL062A, TL062B, TL064, TL064A, TL064B
LOW-POWER JFET-INPUT OPERATIONAL AMPLIFIERS**

electrical characteristics, $V_{CC} \pm = \pm 15\text{ V}$ (unless otherwise noted)

PARAMETER	TEST CONDITIONS†	TL060I			TL060C			TL060AC			TL060BC			UNIT
		MIN	TYP	MAX	MIN	TYP	MAX	MIN	TYP	MAX	MIN	TYP	MAX	
V_{IO} Input offset voltage	$V_O = 0$, $R_S = 50\ \Omega$	3	6	6	3	15	3	6	3	6	3	6	3	mV
Temperature coefficient of input offset voltage	$V_O = 0$, $T_A = \text{full range}$			9		20				7.5			5	mV/°C
ρ_{VIO} Input offset current†	$V_O = 0$, $T_A = \text{full range}$	10			10			10			10			nA
I_{IO} Input bias current†	$V_O = 0$, $T_A = \text{full range}$	5	100	10	5	200	5	100	5	200	5	100	3	nA
I_{IB} Input bias current†	$V_O = 0$, $T_A = \text{full range}$	30	200	20	30	400	30	200	30	400	30	200	7	nA
V_{ICR} Common-mode input voltage range	$T_A = 25^\circ\text{C}$	± 11.5 ± 10 ± 15	± 12 ± 10 ± 15	± 11 ± 10 ± 15	± 12 ± 10 ± 15	± 11.5 ± 10 ± 15	± 12 ± 10 ± 15	± 11.5 ± 10 ± 15	± 12 ± 10 ± 15	± 11.5 ± 10 ± 15	± 12 ± 10 ± 15	± 11.5 ± 10 ± 15	± 12 ± 10 ± 15	V
V_{OM} Maximum peak output voltage swing	$R_L = 10\ \text{k}\Omega$, $T_A = 25^\circ\text{C}$	± 10 ± 13.5	± 10 ± 13.5	± 10 ± 13.5	± 10 ± 13.5	± 10 ± 13.5	± 10 ± 13.5	± 10 ± 13.5	± 10 ± 13.5	± 10 ± 13.5	± 10 ± 13.5	± 10 ± 13.5	± 10 ± 13.5	V
A_{VD} Large-signal differential voltage amplification	$V_O = \pm 10\ \text{V}$, $R_L \geq 10\ \text{k}\Omega$, $T_A = \text{full range}$	4	6	4	3	6	4	6	4	6	4	6	4	V/mV
B_1 Unity-gain bandwidth	$R_L = 10\ \text{k}\Omega$, $T_A = 25^\circ\text{C}$	1			1		1		1		1		1	MHz
f_t Input resistance	$T_A = 25^\circ\text{C}$	10 ¹²			10 ¹²		10 ¹²		10 ¹²		10 ¹²		10 ¹²	Ω
CMRR Common-mode rejection ratio	$V_{IC} = V_{ICR\ \text{min}}$, $V_O = 0$, $R_S = 50\ \Omega$, $T_A = 25^\circ\text{C}$	80	86	80	70	86	80	86	80	86	80	86	80	dB
kSVR Supply voltage rejection ratio ($\Delta V_{CC} \pm / \Delta V_{OP}$)	$V_{CC} = \pm 15\ \text{V}$ to $\pm 9\ \text{V}$, $V_O = 0$, $R_S = 50\ \Omega$, $T_A = 25^\circ\text{C}$	80	95	80	70	95	80	95	80	95	80	95	80	dB
PD Total power dissipation (each amplifier)	No load, $V_O = 0$, $T_A = 25^\circ\text{C}$	6	7.5	6	6	7.5	6	7.5	6	7.5	6	7.5	6	mW
ICC Supply current (each amplifier)	No load, $V_O = 0$, $T_A = 25^\circ\text{C}$	200	250	200	200	250	200	250	200	250	200	250	200	μA
V_{O1}/V_{O2} Crosstalk attenuation	$A_{VD} = 100$, $T_A = 25^\circ\text{C}$	120			120		120		120		120		120	dB

† All characteristics are measured under open-loop conditions with zero common-mode voltage unless otherwise specified. Full range for T_A is -40°C to 85°C for TL060_I and 0°C to 70°C for TL060_C, TL060_AC, and TL060_BC.

‡ Input bias currents of a JFET-input operational amplifier are normal junction reverse currents, which are temperature sensitive as shown in Figure 17. Pulse techniques must be used that will maintain the junction temperature as close to the ambient temperature as possible.

2
Operational Amplifiers



**TL060, TL060A, TL060B, TL061, TL061A, TL061B
TL062, TL062A, TL062B, TL064, TL064A, TL064B
LOW-POWER JFET-INPUT OPERATIONAL AMPLIFIERS**

operating characteristics, $V_{CC\pm} = \pm 15\text{ V}$, $T_A = 25^\circ\text{C}$

PARAMETER	TEST CONDITIONS	MIN	TYP	MAX	UNIT
SR Slew rate at unity gain	$V_I = 10\text{ V}$, $C_L = 100\text{ pF}$, $R_L = 10\text{ k}\Omega$, See Figure 1	1.5	3.5		$\text{V}/\mu\text{s}$
t_r Rise time	$V_I = 20\text{ mV}$, $R_L = 10\text{ k}\Omega$, See Figure 1		0.2		μs
Overshoot factor	$C_L = 100\text{ pF}$, See Figure 1		10%		
V_n Equivalent input noise voltage	$R_S = 100\ \Omega$, $f = 1\text{ kHz}$		42		$\text{nV}/\sqrt{\text{Hz}}$

2

Operational Amplifiers

PARAMETER MEASUREMENT INFORMATION

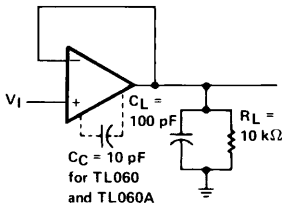


FIGURE 1. UNITY-GAIN AMPLIFIER

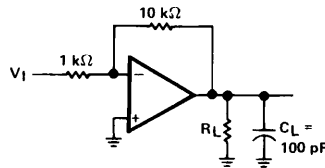


FIGURE 2. GAIN-OF-10
INVERTING AMPLIFIER

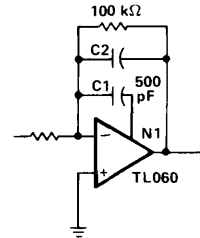
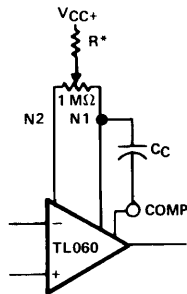


FIGURE 3. FEED-FORWARD
COMPENSATION

INPUT OFFSET VOLTAGE NULL CIRCUITS



* For best results use $R = 20\text{ M}\Omega$ for
 $V_{CC\pm} = \pm 15\text{ V}$ to $R = 5\text{ M}\Omega$ for
 $V_{CC\pm} = \pm 3\text{ V}$.

FIGURE 4

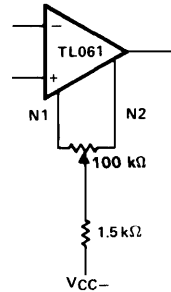
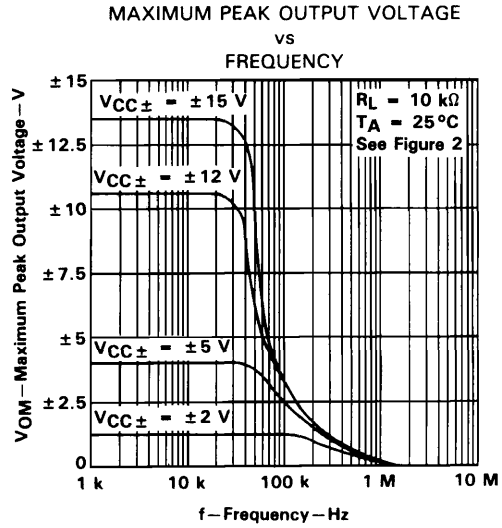
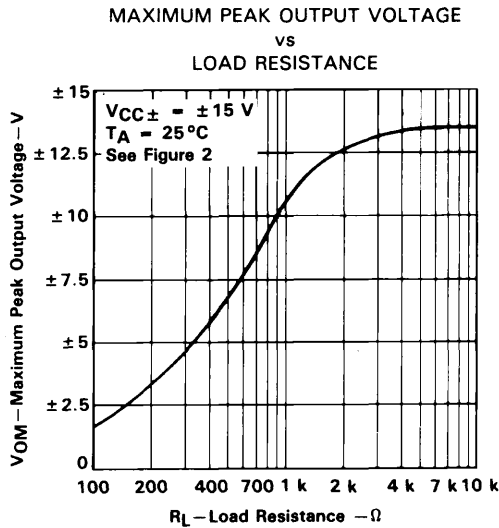
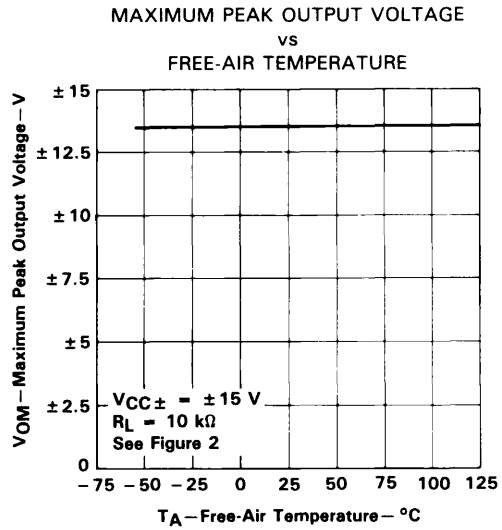
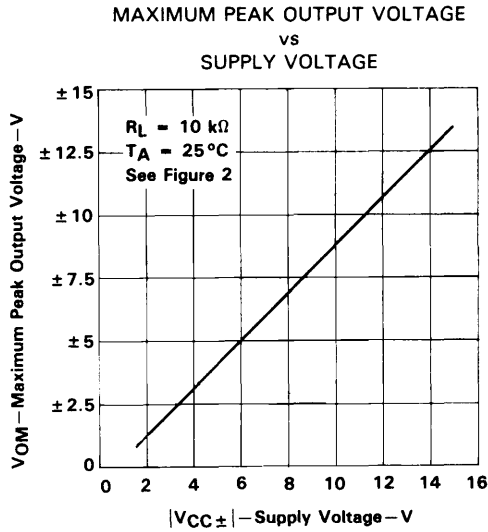


FIGURE 5

**TL060, TL060A, TL060B, TL061, TL061A, TL061B
TL062, TL062A, TL062B, TL064, TL064A, TL064B
LOW-POWER JFET-INPUT OPERATIONAL AMPLIFIERS**

TYPICAL CHARACTERISTICS†



† Data at high and low temperatures are applicable only within the rated operating free-air temperature ranges of the various devices. A 10-pF compensation capacitor is used with TL060 and TL060A.

2
Operational Amplifiers

**TL060, TL060A, TL060B, TL061, TL061A, TL062B
TL062, TL062A, TL062B, TL064, TL064A, TL064B
LOW-POWER JFET-INPUT OPERATIONAL AMPLIFIERS**

TYPICAL CHARACTERISTICS†

**DIFFERENTIAL VOLTAGE AMPLIFICATION
vs
FREE-AIR TEMPERATURE**

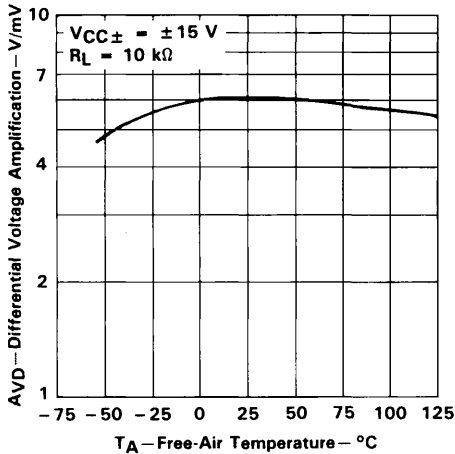


FIGURE 10

**LARGE-SIGNAL
DIFFERENTIAL VOLTAGE AMPLIFICATION
AND PHASE SHIFT
vs
FREQUENCY**

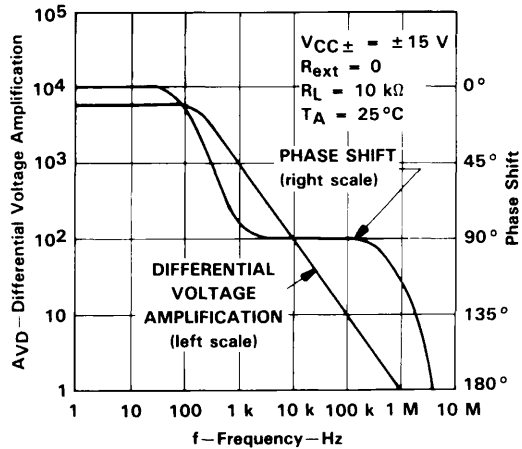


FIGURE 11

**SUPPLY CURRENT
vs
SUPPLY VOLTAGE**

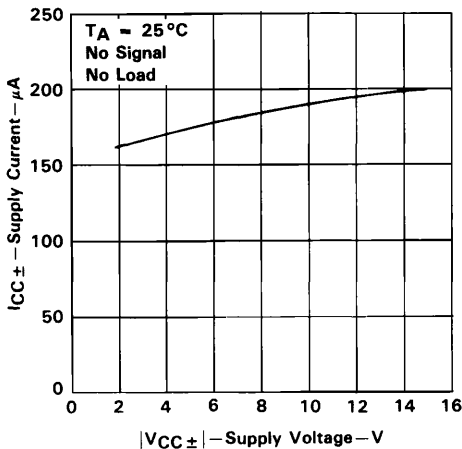


FIGURE 12

**SUPPLY CURRENT
vs
FREE-AIR TEMPERATURE**

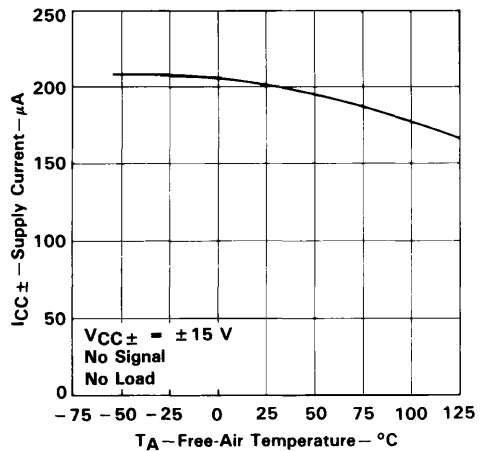


FIGURE 13

†A 10-pF compensation capacitor is used with TL060 and TL060A.

**TLO60, TLO60A, TLO60B, TLO61, TLO61A, TLO61B
TLO62, TLO62A, TLO62B, TLO64, TLO64A, TLO64B
LOW-POWER JFET-INPUT OPERATIONAL AMPLIFIERS**

TYPICAL CHARACTERISTICS†

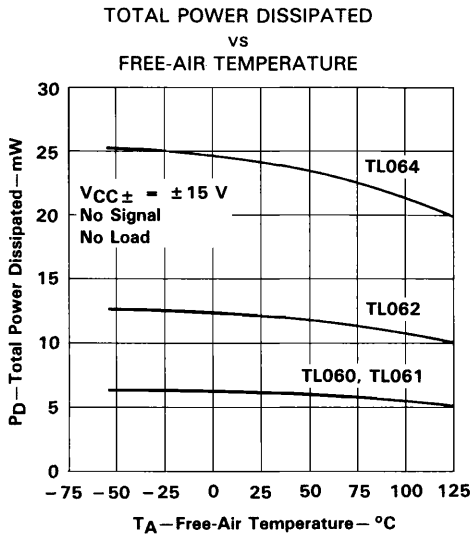


FIGURE 14

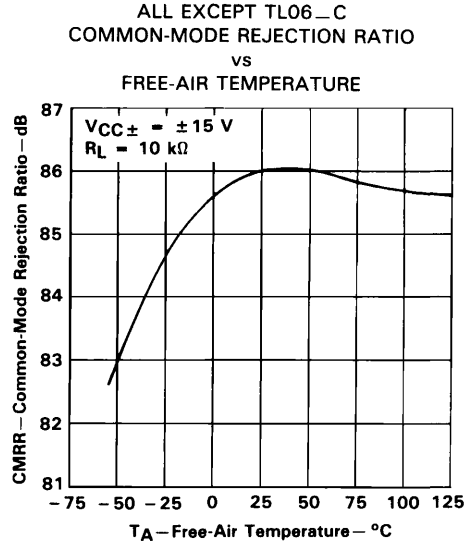


FIGURE 15

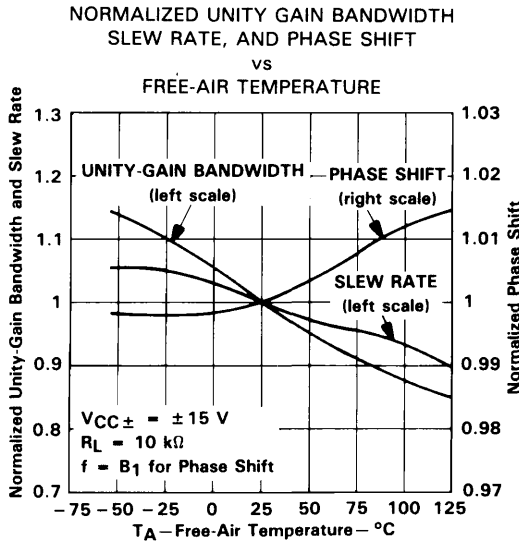


FIGURE 16

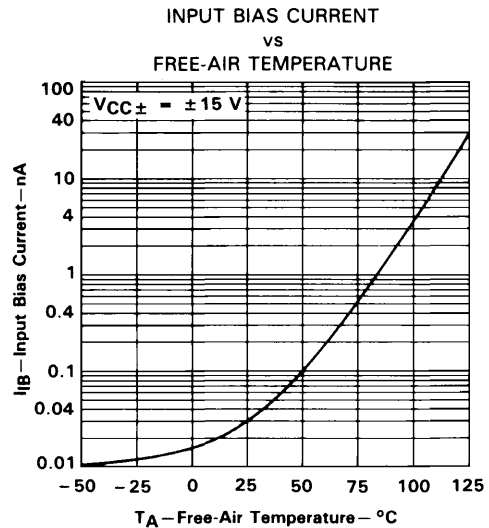


FIGURE 17

† Data at high and low temperatures are applicable only within the rated operating free-air temperature ranges of the various devices. A 10-pF compensation capacitor is used with TLO60 and TLO60A.

**TL060, TL060A, TL060B, TL061, TL061A, TL061B
TL062, TL062A, TL062B, TL064, TL064A, TL064B
LOW-POWER JFET-INPUT OPERATIONAL AMPLIFIERS**

TYPICAL CHARACTERISTICS†

2
Operational Amplifiers

**VOLTAGE FOLLOWER
LARGE SIGNAL PULSE RESPONSE**

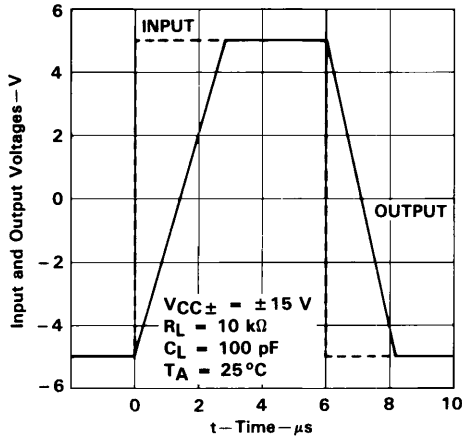


FIGURE 18

**OUTPUT VOLTAGE
VS
ELAPSED TIME**

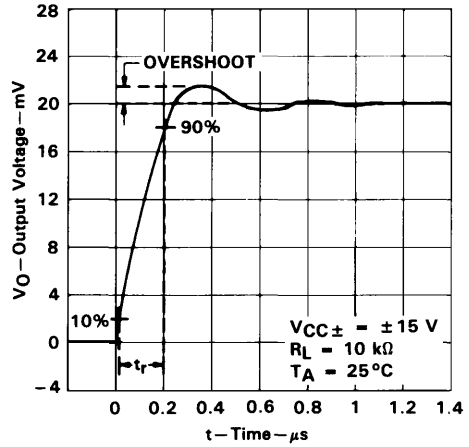


FIGURE 19

**EQUIVALENT INPUT NOISE VOLTAGE
VS
FREQUENCY**

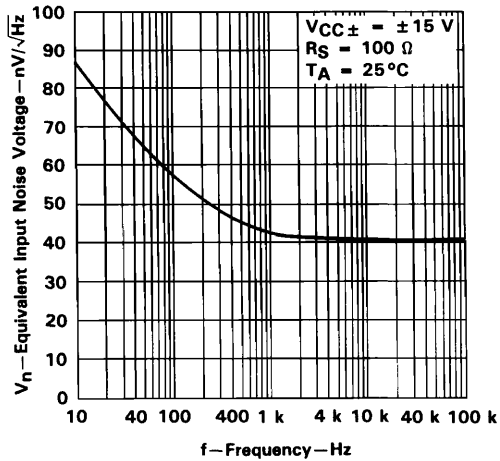


FIGURE 20

† Data at high and low temperatures are applicable only within the rated operating free-air temperature ranges of the various devices. A 10-pF compensation capacitor is used with TL060 and TL060A.

**TL060, TL060A, TL060B, TL061, TL061A, TL061B
TL062, TL062A, TL062B, TL064, TL064A, TL064B
LOW-POWER JFET-INPUT OPERATIONAL AMPLIFIERS**

TYPICAL APPLICATION DATA

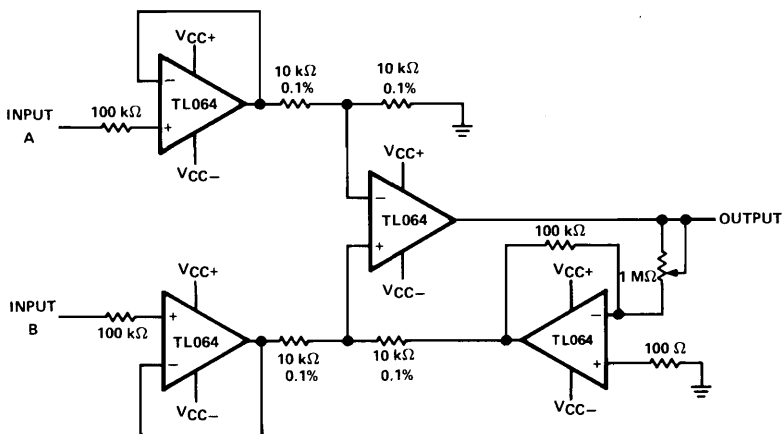


FIGURE 21. INSTRUMENTATION AMPLIFIER

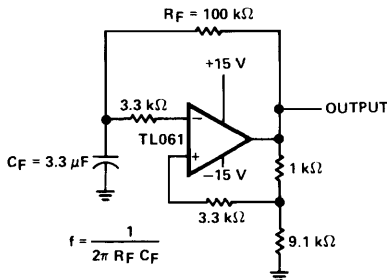


FIGURE 22. 0.5-Hz SQUARE-WAVE OSCILLATOR

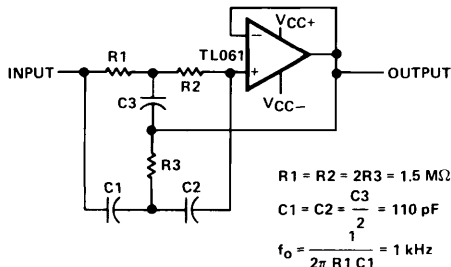


FIGURE 23. HIGH-Q NOTCH FILTER

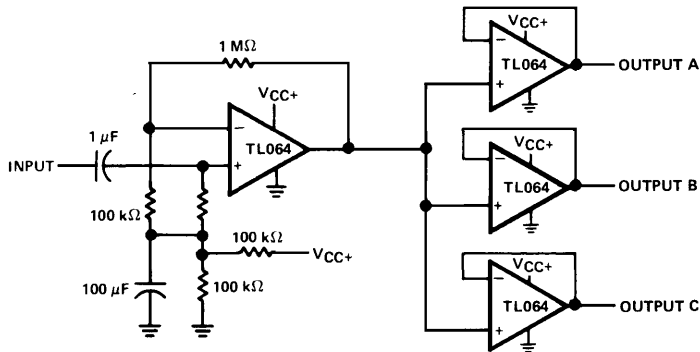


FIGURE 24. AUDIO DISTRIBUTION AMPLIFIER

2

Operational Amplifiers

**TL060, TL060A, TL060B, TL061, TL061A, TL062B
TL062, TL062A, TL062B, TL064, TL064A, TL064B
LOW-POWER JFET-INPUT OPERATIONAL AMPLIFIERS**

TYPICAL APPLICATION DATA

2
Operational Amplifiers

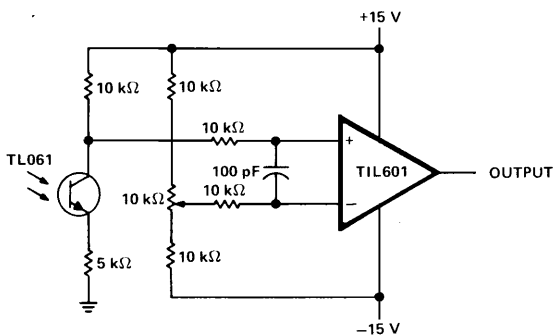


FIGURE 25. LOW-LEVEL LIGHT DETECTOR PREAMPLIFIER

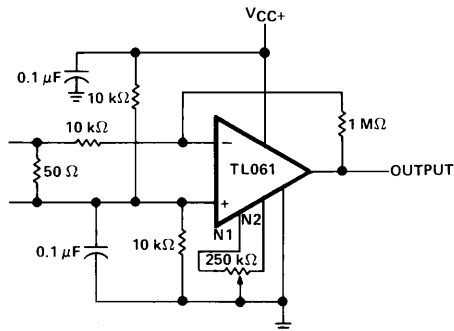


FIGURE 26. AC AMPLIFIER

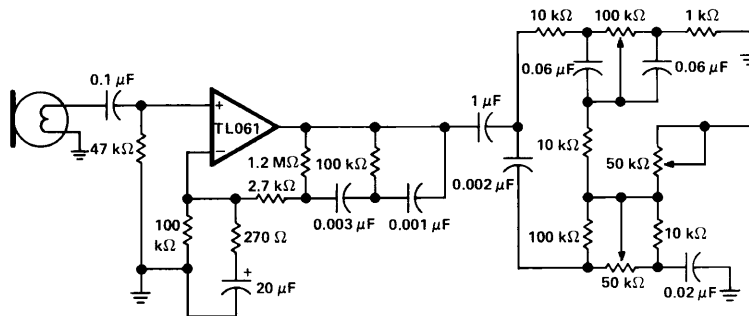


FIGURE 27. MICROPHONE PREAMPLIFIER WITH TONE CONTROL

**TL060, TL060A, TL060B, TL061, TL061A, TL061B
TL062, TL062A, TL062B, TL064, TL064A, TL064B
LOW-POWER JFET-INPUT OPERATIONAL AMPLIFIERS**

TYPICAL APPLICATION DATA

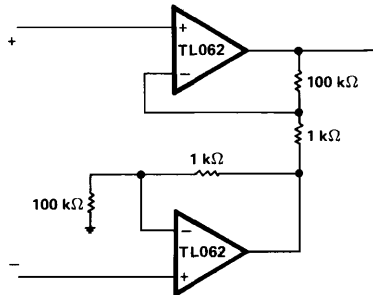


FIGURE 28. INSTRUMENTATION AMPLIFIER

IC PREAMPLIFIER RESPONSE CHARACTERISTICS

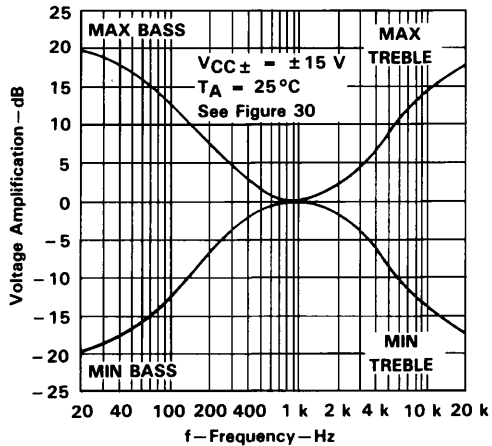


FIGURE 29

**TL060, TL060A, TL060B, TL061, TL061A, TL061B
TL062, TL062A, TL062B, TL064, TL064A, TL064B
LOW-POWER JFET-INPUT OPERATIONAL AMPLIFIERS**

TYPICAL APPLICATION DATA

2
Operational Amplifiers

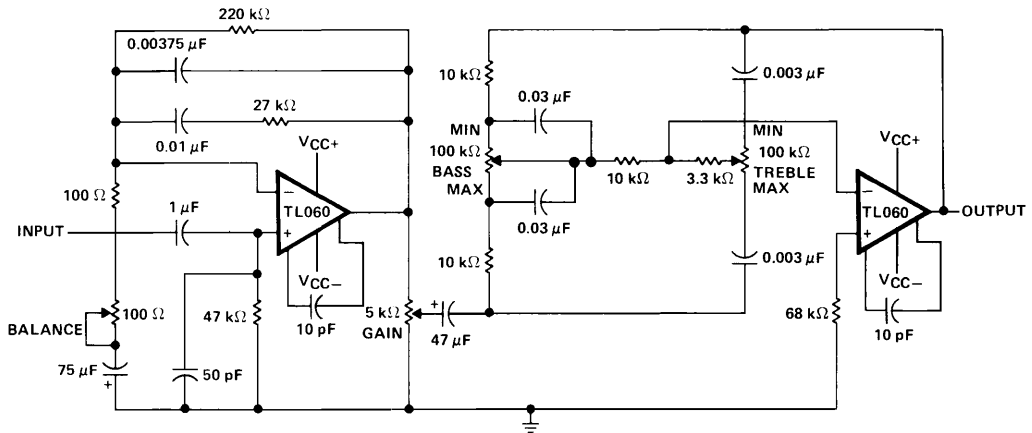


FIGURE 30. IC PREAMPLIFIER