

LM118QML Operational Amplifier

Check for Samples: [LM118QML](#)

FEATURES

- 15 MHz Small Signal Bandwidth
- Ensured 50V/μs Slew Rate
- Maximum Bias Current of 250 nA
- Operates from Supplies of ±5V to ±20V
- Internal Frequency Compensation
- Input and Output Overload Protected
- Pin Compatible with General Purpose Op Amps

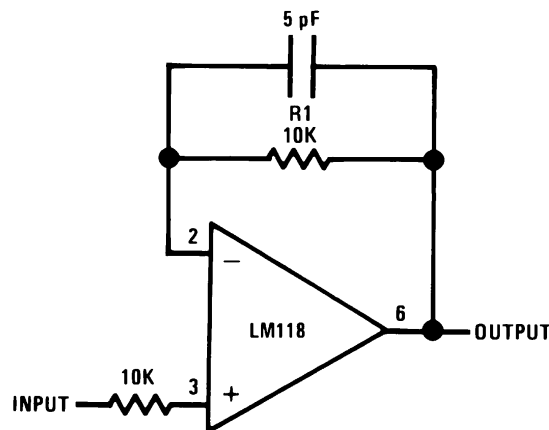
DESCRIPTION

The LM118 is a precision high speed operational amplifier designed for applications requiring wide bandwidth and high slew rate. It features a factor of ten increase in speed over general purpose devices without sacrificing DC performance.

The LM118 has internal unity gain frequency compensation. This considerably simplifies its application since no external components are necessary for operation. However, unlike most internally compensated amplifiers, external frequency compensation may be added for optimum performance. For inverting applications, feed forward compensation will boost the slew rate to over 150V/μs and almost double the bandwidth. Overcompensation can be used with the amplifier for greater stability when maximum bandwidth is not needed. Further, a single capacitor can be added to reduce the 0.1% settling time to under 1 μs.

The high speed and fast settling time of this op amp makes it useful in A/D converters, oscillators, active filters, sample and hold circuits, or general purpose amplifiers. This device is easy to apply and offers an order of magnitude better AC performance than industry standards such as the LM709.

Fast Voltage Follower


Do not hard-wire as voltage follower ($R1 \geq 5 \text{ k}\Omega$)

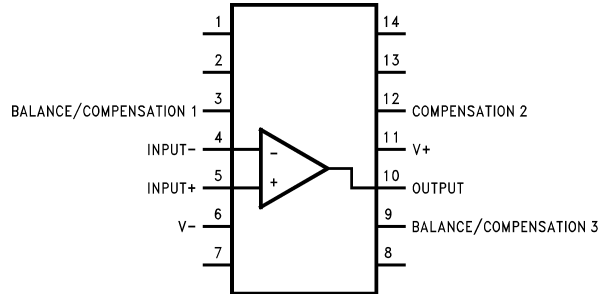

Please be aware that an important notice concerning availability, standard warranty, and use in critical applications of Texas Instruments semiconductor products and disclaimers thereto appears at the end of this data sheet.

All trademarks are the property of their respective owners.

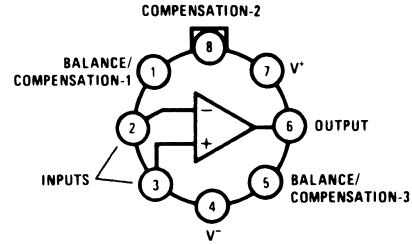


These devices have limited built-in ESD protection. The leads should be shorted together or the device placed in conductive foam during storage or handling to prevent electrostatic damage to the MOS gates.

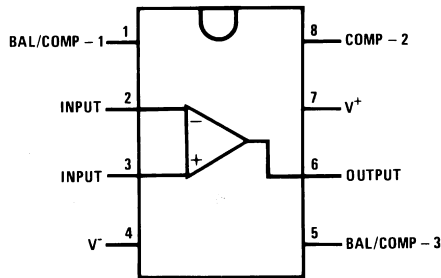
Connection Diagram



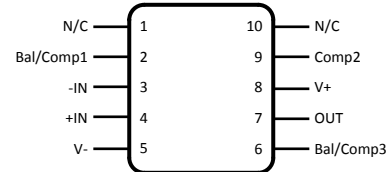
**Figure 1. CDIP Package
Top View
See Package Number J0014A**



**Figure 2. TO-99
Top View
See Package Number LMC**



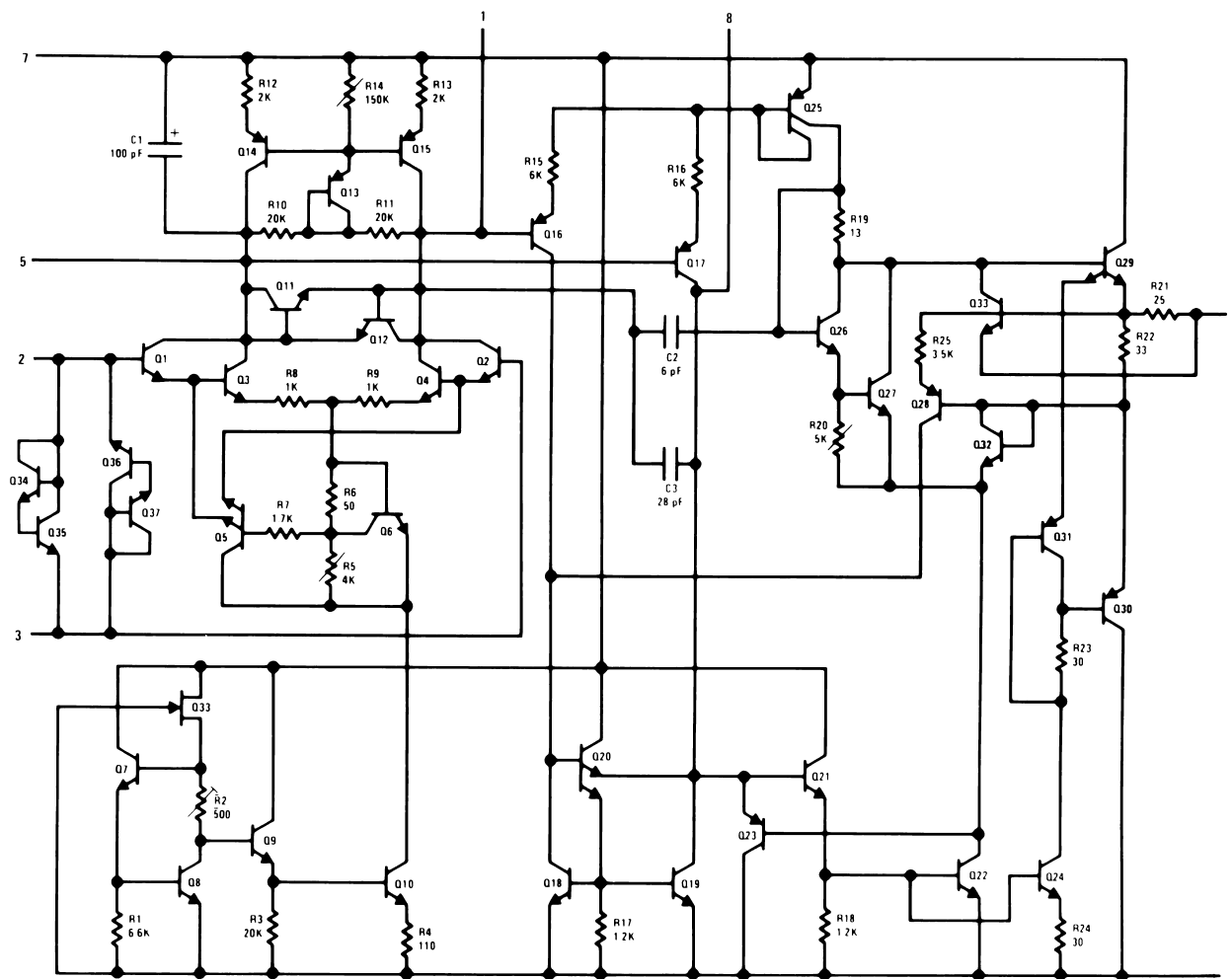
**Figure 3. CDIP Package
Top View
See Package Number NAB0008A**



Pin connections shown on schematic diagram and typical applications are for TO package.

**Figure 4. CLGA Package
Top View
See NS Package Number NAC0010A**

Schematic Diagram



Absolute Maximum Ratings⁽¹⁾

Supply Voltage		±20V	
Power Dissipation ⁽²⁾	8 LD TO-99	750mW	
	8LD CDIP	1000mW	
	14LD CDIP	1250mW	
	10LD CLGA	600mW	
Differential Input Current ⁽³⁾		±10 mA	
Input Voltage ⁽⁴⁾		±15V	
Output Short-Circuit Duration		Continuous	
Operating Temperature Range		-55°C ≤ T _A ≤ +125°C	
Thermal Resistance	θ _{JA}	8 LD TO-99 (Still Air @ 0.5W)	160°C/W
		8 LD TO-99 (500LF / Min Air flow @ 0.5W)	86°C/W
		8LD CDIP (Still Air @ 0.5W)	120°C/W
		8LD CDIP (500LF / Min Air flow @ 0.5W)	66°C/W
		14LD CDIP (Still Air @ 0.5W)	87°C/W
		14LD CDIP (500LF / Min Air flow @ 0.5W)	51°C/W
		10LD CLGA (Still Air @ 0.5W)	198°C/W
		10LD CLGA (500LF / Min Air flow @ 0.5W)	124°C/W
	θ _{JC}	8 LD TO-99	48°C/W
		8LD CDIP	17°C/W
		14LD CDIP	17°C/W
		10LD CLGA	22°C/W
Storage Temperature Range		-65°C ≤ T _A ≤ +150°C	
Lead Temperature (Soldering, 10 seconds)		300°C	
ESD Tolerance ⁽⁵⁾		2000V	

- (1) Absolute Maximum Ratings indicate limits beyond which damage to the device may occur. Operating Ratings indicate conditions for which the device is functional, but do not ensure specific performance limits. For specifications and test conditions, see the Electrical Characteristics. The specifications apply only for the test conditions listed. Some performance characteristics may degrade when the device is not operated under the listed test conditions.
- (2) The maximum power dissipation must be derated at elevated temperatures and is dictated by T_{Jmax} (maximum junction temperature), θ_{JA} (package junction to ambient thermal resistance), and T_A (ambient temperature). The maximum allowable power dissipation at any temperature is P_{Dmax} = (T_{Jmax} - T_A)/θ_{JA} or the number given in the Absolute Maximum Ratings, whichever is lower.
- (3) The inputs are shunted with back-to-back diodes for over voltage protection. Therefore, excessive current will flow if a differential input voltage in excess of 1V is applied between the inputs unless some limiting resistance is used.
- (4) For supply voltages less than ±15V, the absolute maximum input voltage is equal to the supply voltage.
- (5) Human body model, 1.5 kΩ in series with 100 pF.

Quality Conformance Inspection

Mil-Std-883, Method 5005; Group A

Subgroup	Description	Temp°C
1	Static tests at	25
2	Static tests at	125
3	Static tests at	-55
4	Dynamic tests at	25
5	Dynamic tests at	125
6	Dynamic tests at	-55
7	Functional tests at	25
8A	Functional tests at	125
8B	Functional tests at	-55
9	Switching tests at	25
10	Switching tests at	125
11	Switching tests at	-55
12	Settling time at	25
13	Settling time at	125
14	Settling time at	-55

LM118/883 Electrical Characteristics DC Parameters

The following conditions apply, unless otherwise specified.

 DC $V_{CC} = \pm 15V$, $V_{CM} = 0V$

Symbol	Parameter	Conditions	Notes	Min	Max	Unit	Sub-groups
V_{IO}	Input Offset Voltage	$V_{CM} = \pm 11.5V$, $R_S = 50\Omega$		-4.0	+4.0	mV	1
				-6.0	+6.0	mV	2, 3
		$V_{CC} = \pm 20V$, $R_S = 50\Omega$		-4.0	+4.0	mV	1
				-6.0	+6.0	mV	2, 3
		$V_{CC} = \pm 20V$, $V_{CM} = \pm 15V$, $R_S = 50\Omega$		-4.0	+4.0	mV	1
				-6.0	+6.0	mV	2, 3
I_{IO}	Input Offset Current	$V_{CM} = \pm 11.5V$, $R_S = 10K\Omega$		-50	+50	nA	1
				-100	+100	nA	2, 3
		$V_{CC} = \pm 20V$, $R_S = 10K\Omega$		-50	+50	nA	1
				-100	+100	nA	2, 3
		$V_{CC} = \pm 5V$, $R_S = 10K\Omega$		-50	+50	nA	1
				-100	+100	nA	2, 3
I_{IB}	Input Bias Current	$V_{CM} = \pm 11.5V$, $R_S = 10K\Omega$		1.0	250	nA	1
				1.0	500	nA	2, 3
		$V_{CC} = \pm 20V$, $R_S = 10K\Omega$		1.0	250	nA	1
				1.0	500	nA	2, 3
		$V_{CC} = \pm 5V$, $R_S = 10K\Omega$		1.0	250	nA	1
				1.0	500	nA	2, 3
PSRR	Power Supply Rejection Ratio	$+V_{CC} = 20V$ to $5V$, $R_S = 50\Omega$		70		dB	1, 2, 3
		$-V_{CC} = -20V$ to $-5V$, $R_S = 50\Omega$		70		dB	1, 2, 3
CMRR	Common Mode Rejection Ratio	$V_{CC} = \pm 15V$, $V_{CM} = \pm 11.5V$, $R_S = 50\Omega$		80		dB	1, 2, 3
$+I_{OS}$	Short Circuit Current	$t < 25mS$		-65	-5.0	mA	1, 2, 3

LM118/883 Electrical Characteristics DC Parameters (continued)

The following conditions apply, unless otherwise specified.

DC $V_{CC} = \pm 15V$, $V_{CM} = 0V$

Symbol	Parameter	Conditions	Notes	Min	Max	Unit	Sub-groups
$-I_{OS}$	Short Circuit Current	$t < 25mS$		5.0	65	mA	1, 2
				5.0	80	mA	3
I_{CC}	Power Supply Current	$V_{CC} = \pm 20V$			8.0	mA	1
					7.0	mA	2
					11	mA	3
$V_{IO\ adj.}$	Input Offset Voltage Adjust	$V_{CC} = \pm 20V$		4.0	-4.0	mV	1
R_I	Input Resistance		See ⁽¹⁾	1.0		M Ω	1
V_I	Input Voltage Range	$V_{CC} = \pm 15V$	See ⁽²⁾	-11.5	+11.5	V	1, 2, 3
A_{VS}	Large Signal Voltage Gain	$R_L = 2K\Omega$, $V_O = 0$ to $-10V$	See ⁽³⁾	50		V/mV	4
			See ⁽³⁾	25		V/mV	5, 6
		$R_L = 2K\Omega$, $V_O = 0$ to $+10V$	See ⁽³⁾	50		V/mV	4
			See ⁽³⁾	25		V/mV	5, 6
V_O	Output Voltage Swing	$R_L = 2K\Omega$		+12	-12	V	4, 5, 6

(1) Specified by design not tested

(2) Specified by CMRR

(3) Datalog in K = V/mV

LM118/883 Electrical Characteristics AC Parameters

The following conditions apply parameters, unless otherwise specified.

AC $V_{CC} = \pm 15V$, $V_{CM} = 0V$, $R_S = 0\Omega$, $R_L = 2K\Omega$, $C_L = 33pF$

Symbol	Parameter	Conditions	Notes	Min	Max	Unit	Sub-groups
S_R	Slew Rate	$V_{CC} = \pm 20V$, $V_I = -5V$ to $+5V$, $A_V=1$		50		V/ μ S	7
		$V_{CC} = \pm 20V$, $V_I = +5V$ to $-5V$, $A_V=1$		50		V/ μ S	7

Typical Performance Characteristics

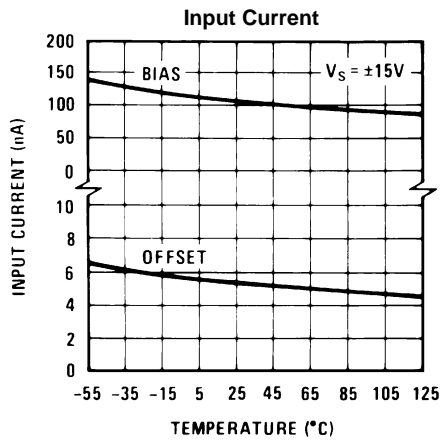


Figure 5.

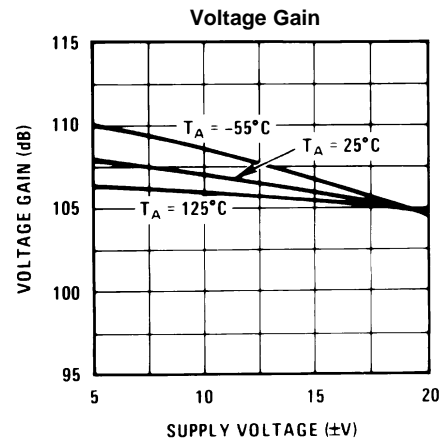


Figure 6.

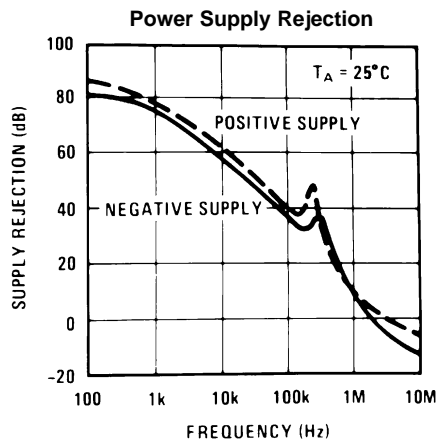


Figure 7.

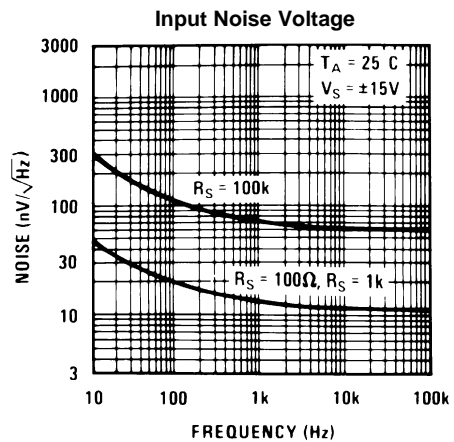


Figure 8.

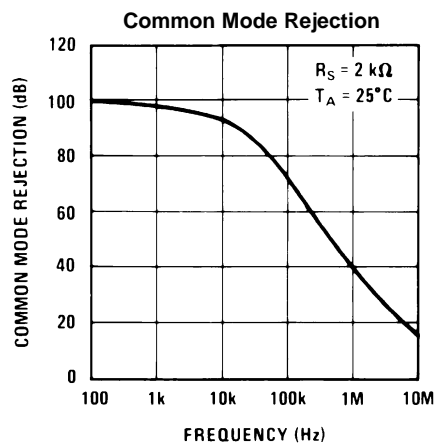


Figure 9.

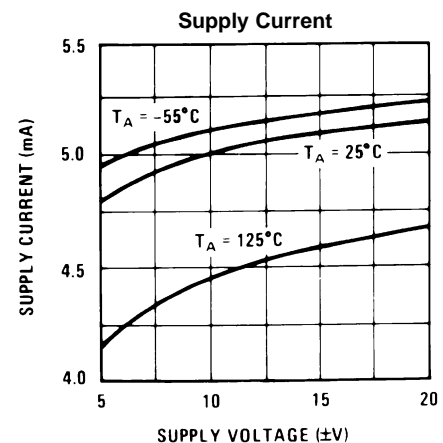


Figure 10.

Typical Performance Characteristics (continued)

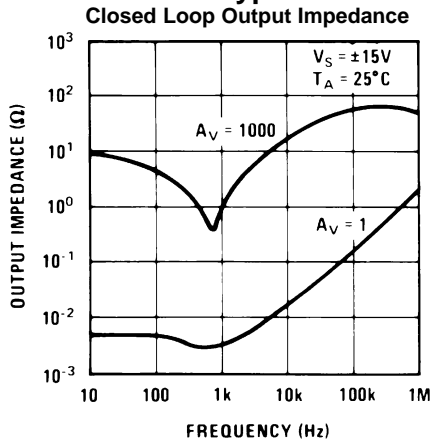


Figure 11.

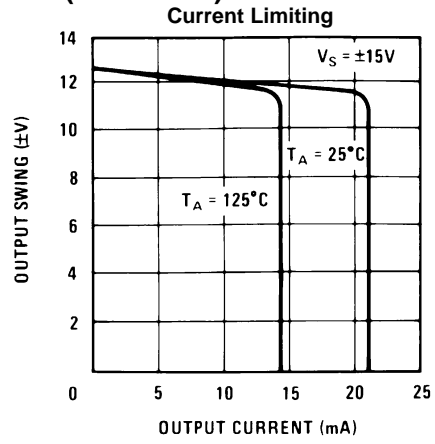


Figure 12.

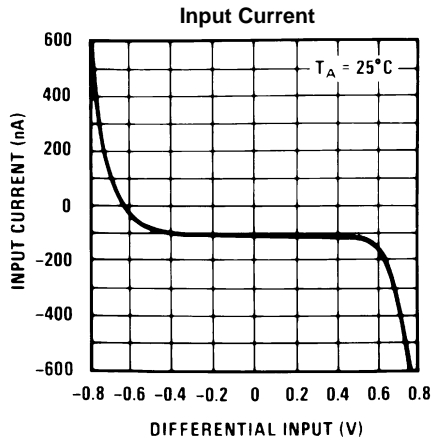


Figure 13.

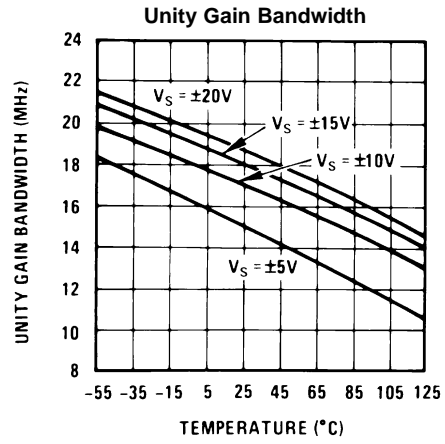


Figure 14.

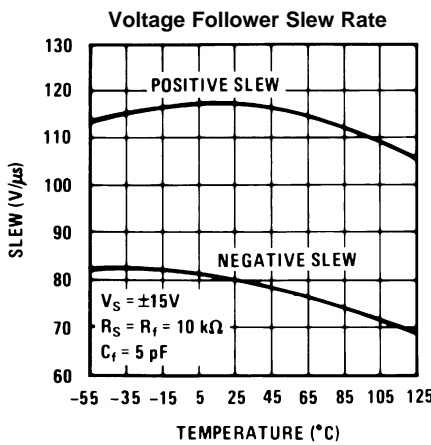


Figure 15.

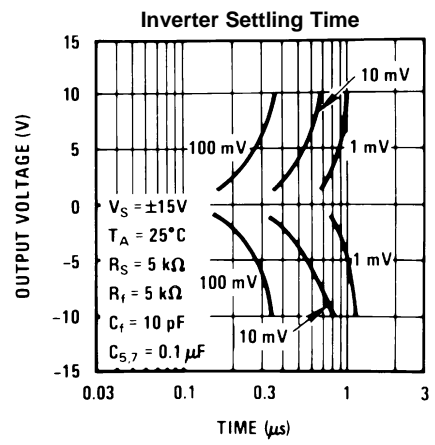
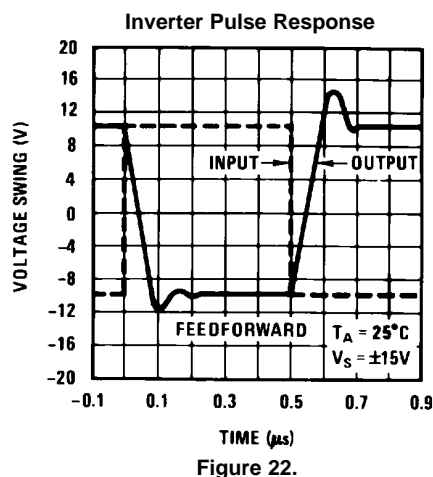
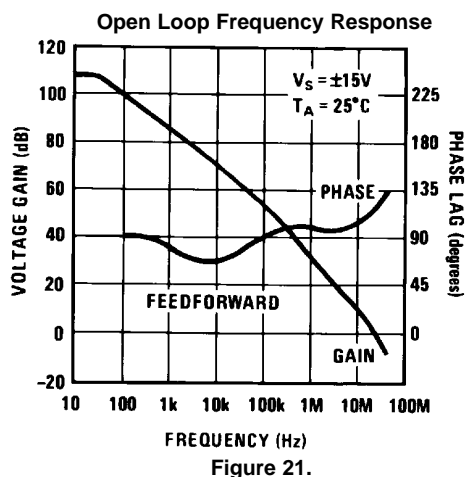
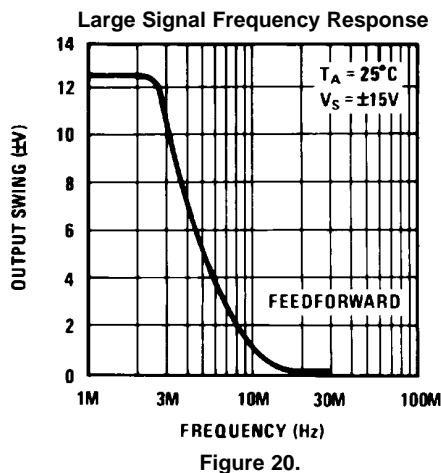
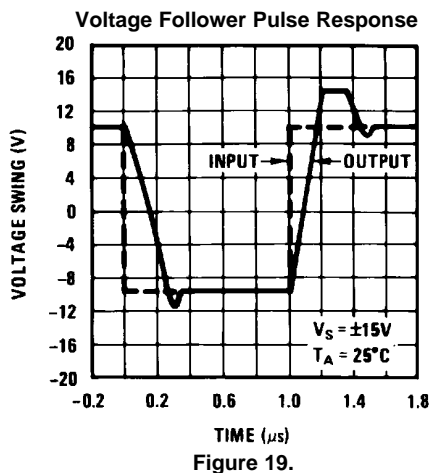
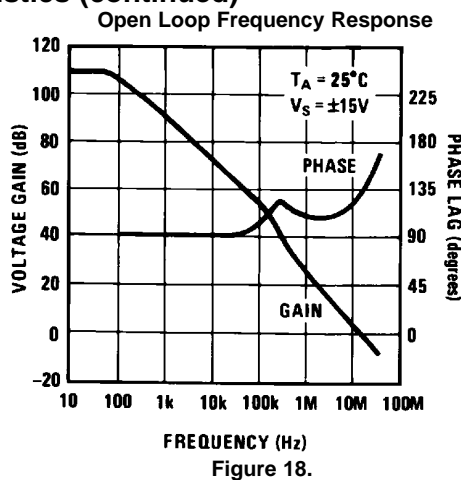
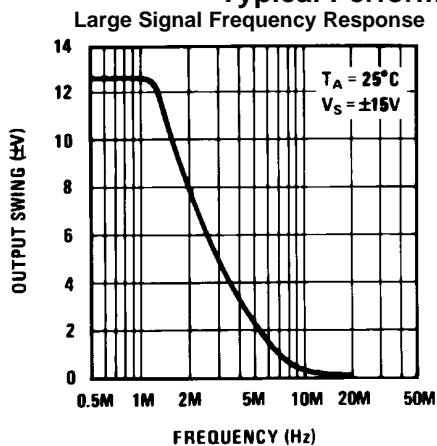


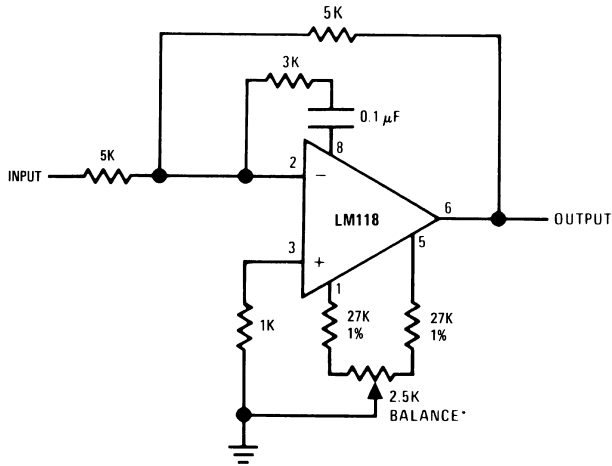
Figure 16.

Typical Performance Characteristics (continued)



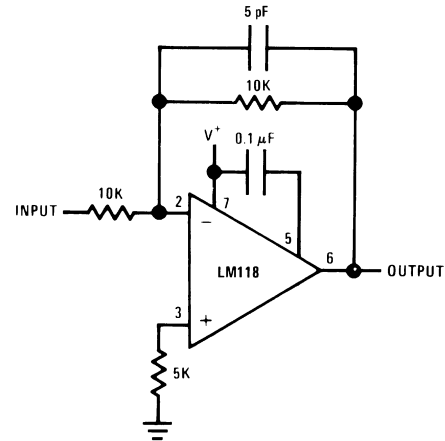
AUXILIARY CIRCUITS

Feedforward Compensation for Greater Inverting Slew Rate



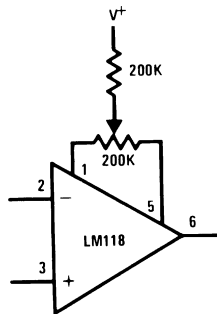
Slew rate typically 150V/μs.

Compensation for Minimum Settling Time

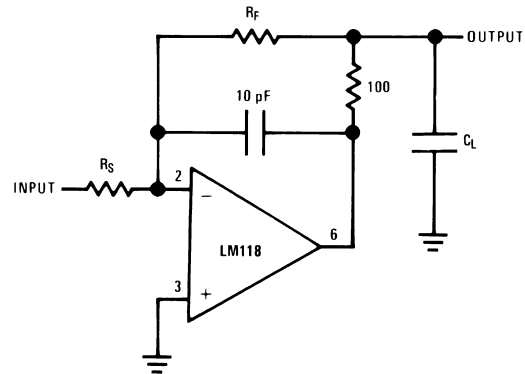


Slew and settling time to 0.1% for a 10V step change is 800 ns.

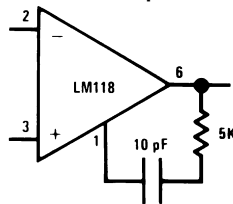
Offset Balancing



Isolating Large Capacitive Loads

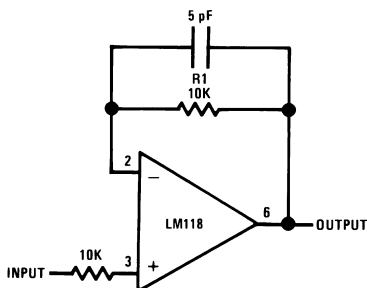


Overcompensation



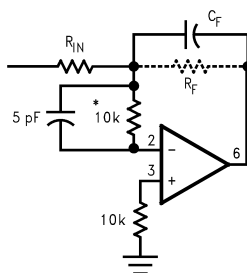
Typical Applications

Fast Voltage Follower



Do not hard-wire as voltage follower ($R_1 \geq 5 \text{ k}\Omega$)

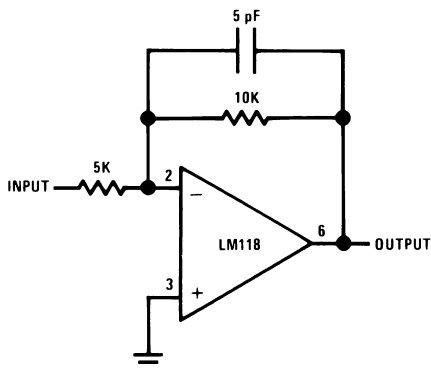
Integrator or Slow Inverter



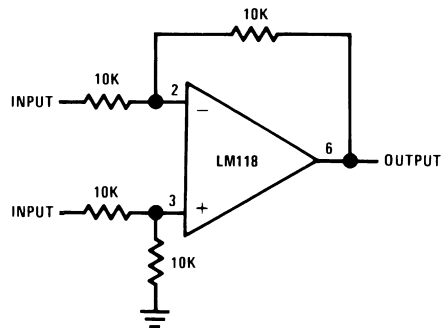
$C_F = \text{Large}$ ($C_F \geq 50 \text{ pF}$)

*Do not hard-wire as integrator or slow inverter; insert a 10k-5 pF network in series with the input, to prevent oscillation.

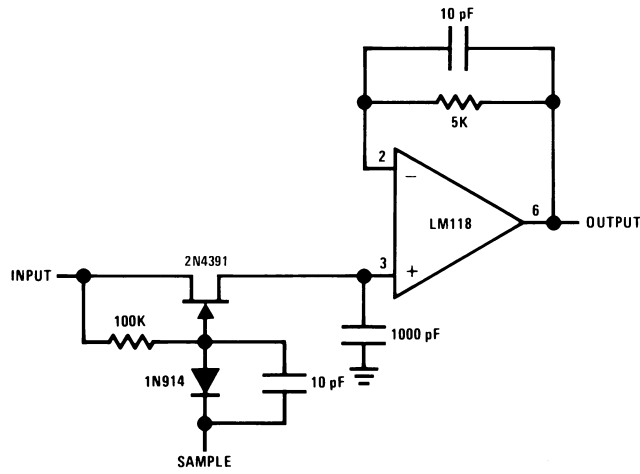
Fast Summing Amplifier



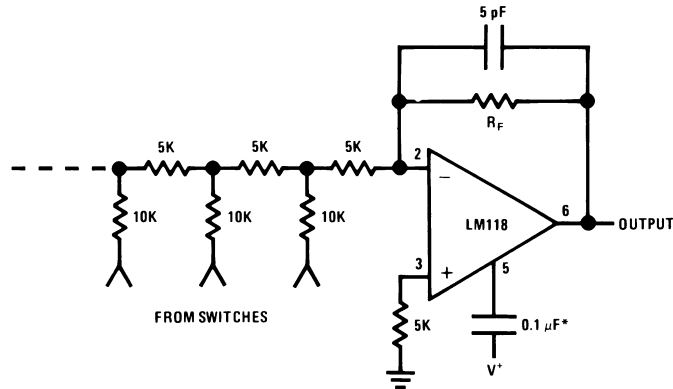
Differential Amplifier



Fast Sample and Hold

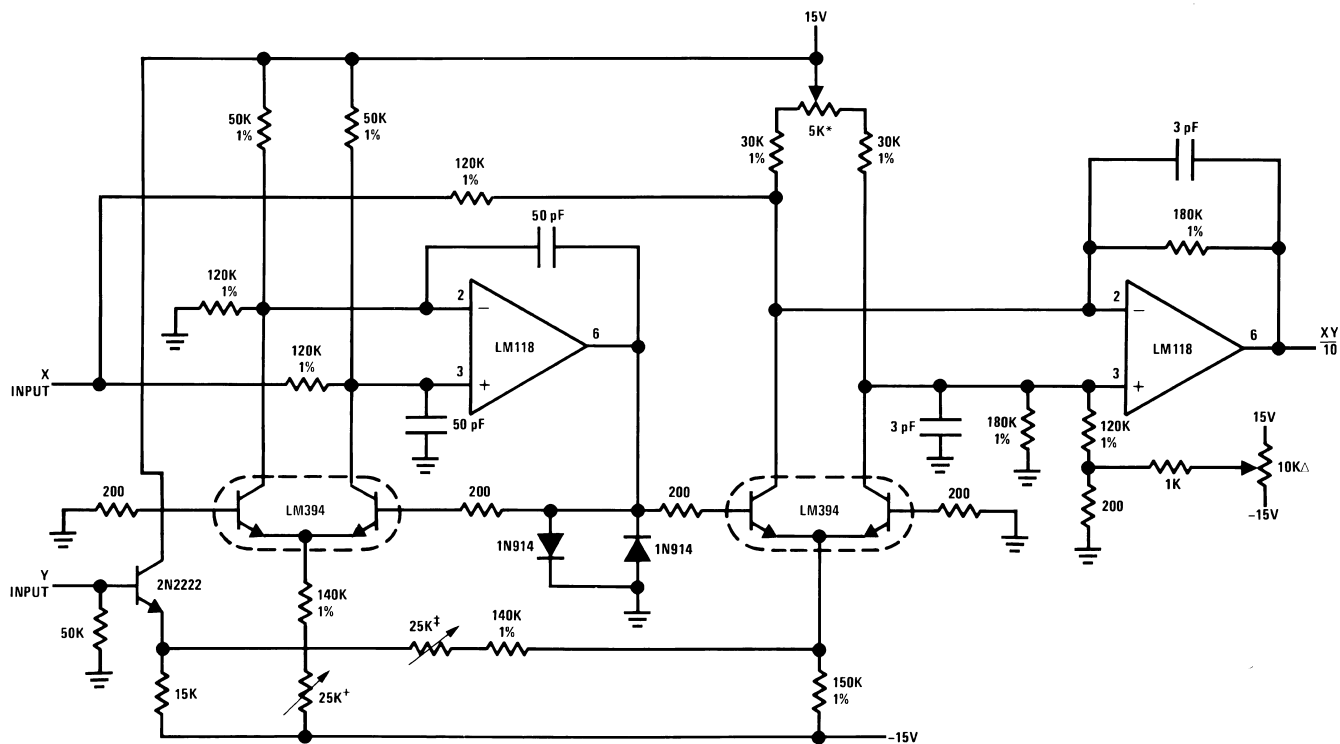


D/A Converter Using Ladder Network



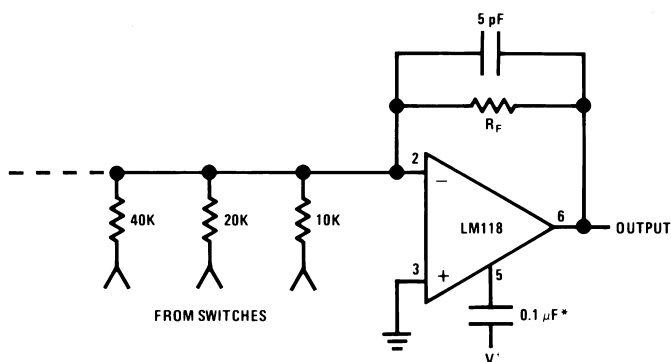
*Optional—Reduces settling time.

Four Quadrant Multiplier



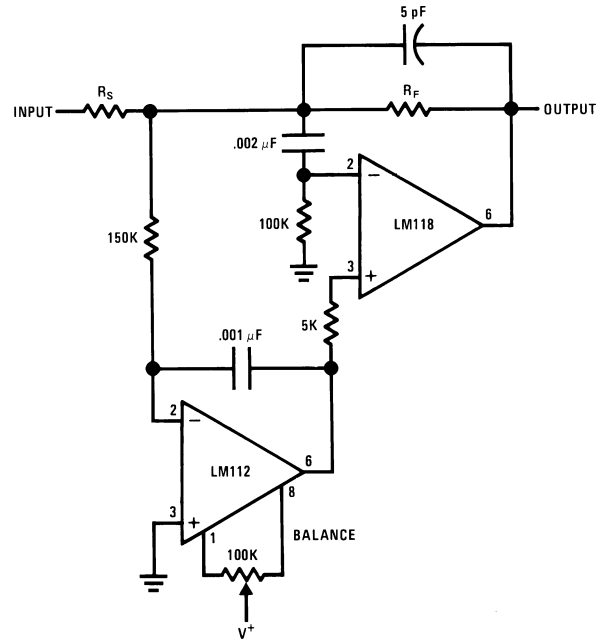
ΔOutput zero.
 *"Y" zero
 + "X" zero
 ‡Full scale adjust.

D/A Converter Using Binary Weighted Network



*Optional—Reduces settling time.

Fast Summing Amplifier with Low Input Current



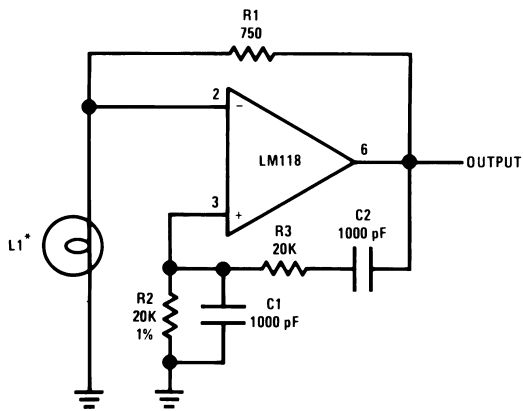
*L1—10V—14 mA bulb ELDEMA 1869

R1 = R2

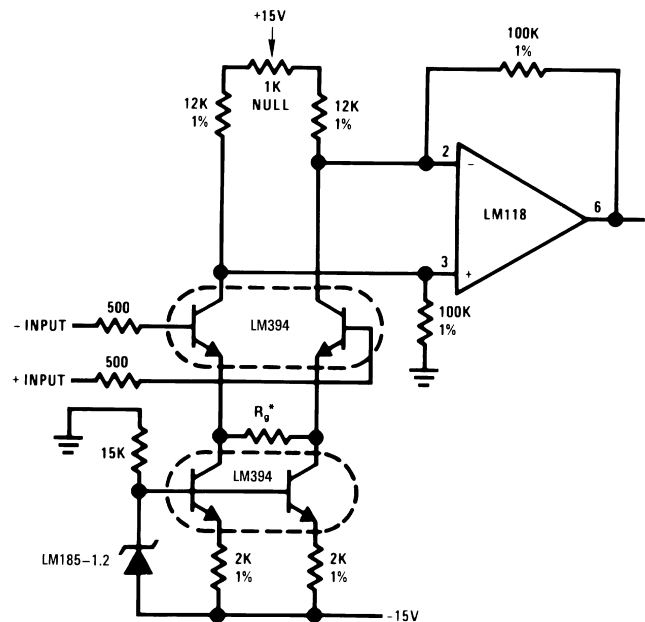
C1 = C2

$$f = \frac{1}{2\pi R_2 C_1}$$

Wein Bridge Sine Wave Oscillator



Instrumentation Amplifier



*Gain $\geq \frac{200K}{R_g}$ for $1.5K \leq R_g \leq 200K$

REVISION HISTORY SECTION

Date Released	Revision	Section	Originator	Changes
07/12/05	A	New Release, Corporate format	L. Lytle	1 MDS data sheet, MNL118-X Rev 0A0 was converted into the Corp. datasheet format. MDS datasheet will be archived.
03/20/2013	A	All Sections		Changed Layout of National Data Sheet to TI format

PACKAGING INFORMATION

Orderable Device	Status (1)	Package Type	Package Drawing	Pins	Package Qty	Eco Plan (2)	Lead/Ball Finish (6)	MSL Peak Temp (3)	Op Temp (°C)	Device Marking (4/5)	Samples
LM118 MD8	ACTIVE	DIESALE	Y	0	182	Green (RoHS & no Sb/Br)	Call TI	Level-1-NA-UNLIM	-55 to 125		Samples
LM118H/883	ACTIVE	TO-99	LMC	8	20	TBD	Call TI	Call TI	-55 to 125	LM118H/883 Q ACO LM118H/883 Q >T	Samples
LM118J-8/883	ACTIVE	CDIP	NAB	8	40	TBD	Call TI	Call TI	-55 to 125	LM118J-8 /883 Q ACO /883 Q >T	Samples

(1) The marketing status values are defined as follows:

ACTIVE: Product device recommended for new designs.

LIFEBUY: TI has announced that the device will be discontinued, and a lifetime-buy period is in effect.

NRND: Not recommended for new designs. Device is in production to support existing customers, but TI does not recommend using this part in a new design.

PREVIEW: Device has been announced but is not in production. Samples may or may not be available.

OBSOLETE: TI has discontinued the production of the device.

(2) **RoHS:** TI defines "RoHS" to mean semiconductor products that are compliant with the current EU RoHS requirements for all 10 RoHS substances, including the requirement that RoHS substance do not exceed 0.1% by weight in homogeneous materials. Where designed to be soldered at high temperatures, "RoHS" products are suitable for use in specified lead-free processes. TI may reference these types of products as "Pb-Free".

RoHS Exempt: TI defines "RoHS Exempt" to mean products that contain lead but are compliant with EU RoHS pursuant to a specific EU RoHS exemption.

Green: TI defines "Green" to mean the content of Chlorine (Cl) and Bromine (Br) based flame retardants meet JS709B low halogen requirements of <=1000ppm threshold. Antimony trioxide based flame retardants must also meet the <=1000ppm threshold requirement.

(3) MSL, Peak Temp. - The Moisture Sensitivity Level rating according to the JEDEC industry standard classifications, and peak solder temperature.

(4) There may be additional marking, which relates to the logo, the lot trace code information, or the environmental category on the device.

(5) Multiple Device Markings will be inside parentheses. Only one Device Marking contained in parentheses and separated by a "~" will appear on a device. If a line is indented then it is a continuation of the previous line and the two combined represent the entire Device Marking for that device.

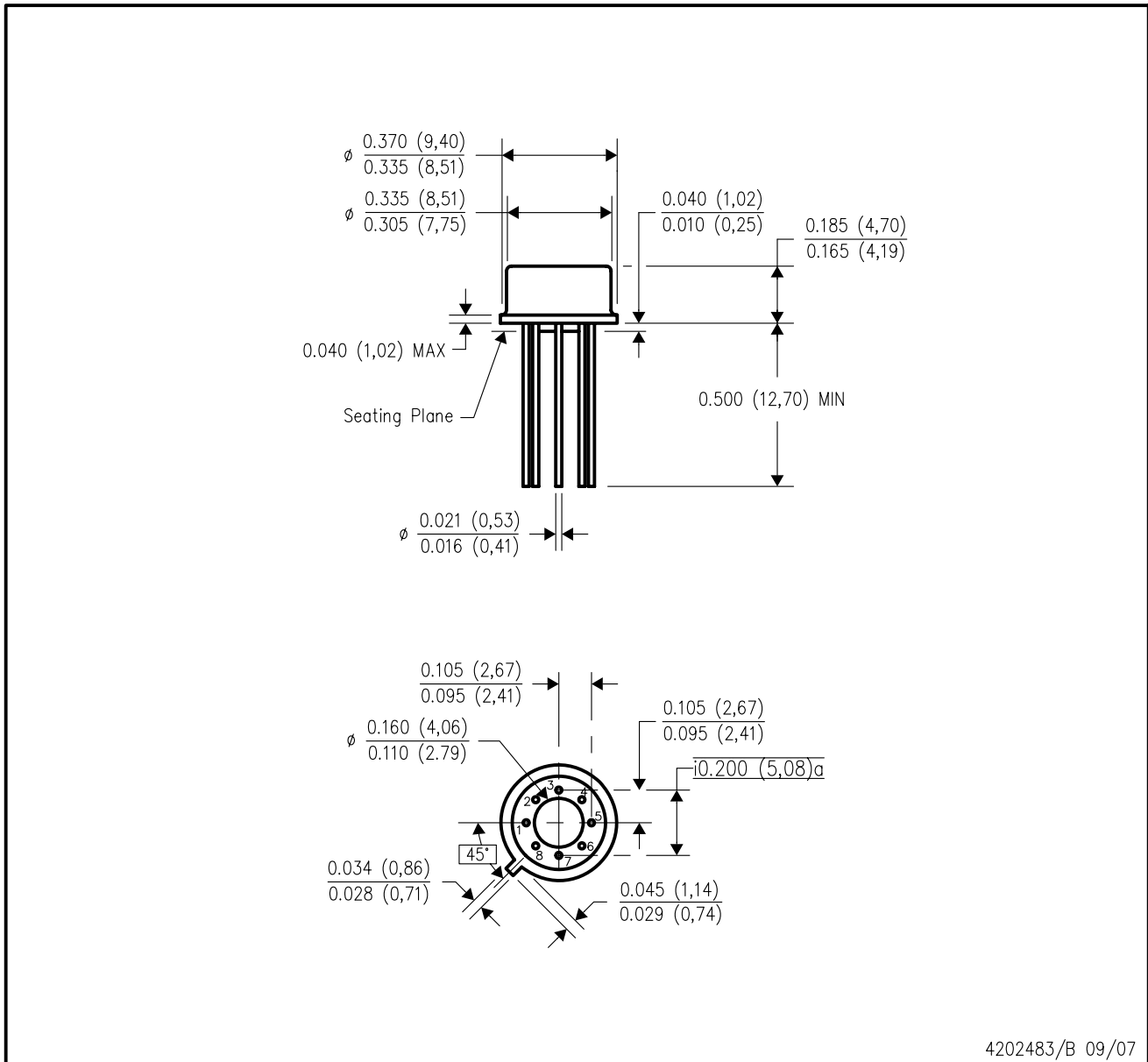
(6) Lead/Ball Finish - Orderable Devices may have multiple material finish options. Finish options are separated by a vertical ruled line. Lead/Ball Finish values may wrap to two lines if the finish value exceeds the maximum column width.

Important Information and Disclaimer:The information provided on this page represents TI's knowledge and belief as of the date that it is provided. TI bases its knowledge and belief on information provided by third parties, and makes no representation or warranty as to the accuracy of such information. Efforts are underway to better integrate information from third parties. TI has taken and continues to take reasonable steps to provide representative and accurate information but may not have conducted destructive testing or chemical analysis on incoming materials and chemicals. TI and TI suppliers consider certain information to be proprietary, and thus CAS numbers and other limited information may not be available for release.

In no event shall TI's liability arising out of such information exceed the total purchase price of the TI part(s) at issue in this document sold by TI to Customer on an annual basis.

LMC (O-MBCY-W8)

METAL CYLINDRICAL PACKAGE



- NOTES:
- A. All linear dimensions are in inches (millimeters).
 - B. This drawing is subject to change without notice.
 - C. Leads in true position within 0.010 (0,25) R @ MMC at seating plane.
 - D. Pin numbers shown for reference only. Numbers may not be marked on package.
 - E. Falls within JEDEC MO-002/TO-99.

NAB0008A



CONTROLLING DIMENSION IS INCH
VALUES IN [] ARE MILLIMETERS



J08A (Rev M)

IMPORTANT NOTICE AND DISCLAIMER

TI PROVIDES TECHNICAL AND RELIABILITY DATA (INCLUDING DATASHEETS), DESIGN RESOURCES (INCLUDING REFERENCE DESIGNS), APPLICATION OR OTHER DESIGN ADVICE, WEB TOOLS, SAFETY INFORMATION, AND OTHER RESOURCES "AS IS" AND WITH ALL FAULTS, AND DISCLAIMS ALL WARRANTIES, EXPRESS AND IMPLIED, INCLUDING WITHOUT LIMITATION ANY IMPLIED WARRANTIES OF MERCHANTABILITY, FITNESS FOR A PARTICULAR PURPOSE OR NON-INFRINGEMENT OF THIRD PARTY INTELLECTUAL PROPERTY RIGHTS.

These resources are intended for skilled developers designing with TI products. You are solely responsible for (1) selecting the appropriate TI products for your application, (2) designing, validating and testing your application, and (3) ensuring your application meets applicable standards, and any other safety, security, or other requirements. These resources are subject to change without notice. TI grants you permission to use these resources only for development of an application that uses the TI products described in the resource. Other reproduction and display of these resources is prohibited. No license is granted to any other TI intellectual property right or to any third party intellectual property right. TI disclaims responsibility for, and you will fully indemnify TI and its representatives against, any claims, damages, costs, losses, and liabilities arising out of your use of these resources.

TI's products are provided subject to TI's Terms of Sale (www.ti.com/legal/termsofsale.html) or other applicable terms available either on ti.com or provided in conjunction with such TI products. TI's provision of these resources does not expand or otherwise alter TI's applicable warranties or warranty disclaimers for TI products.

Mailing Address: Texas Instruments, Post Office Box 655303, Dallas, Texas 75265
Copyright © 2019, Texas Instruments Incorporated