

# MAXIM

## 2.5Ω, Dual, SPST, CMOS Analog Switches

MAX4667/MAX4668/MAX4669

### General Description

The MAX4667/MAX4668/MAX4669 dual analog switches feature low on-resistance of 2.5Ω max. On-resistance is matched between switches to 0.5Ω max and is flat (0.5Ω max) over the specified signal range. Each switch can handle Rail-to-Rail® analog signals. The off-leakage current is only 5nA max at +85°C. These analog switches are ideal in low-distortion applications and are the preferred solution over mechanical relays in automatic test equipment or applications where current switching is required. They have low power requirements, use less board space, and are more reliable than mechanical relays.

The MAX4667 has two normally closed (NC) switches, the MAX4668 has two normally open (NO) switches, and the MAX4669 has one NC and one NO switch that guarantee break-before-make operation.

These switches operate from a +4.5V to +36V single supply or from ±4.5V to ±20V dual supplies. All digital inputs have +0.8V and +2.4V logic thresholds, ensuring TTL/CMOS-logic compatibility when using ±15V supplies or a single +12V supply.

### Applications

|                        |                      |
|------------------------|----------------------|
| Reed Relay Replacement | PBX, PABX Systems    |
| Test Equipment         | Audio-Signal Routing |
| Communication Systems  | Avionics             |

### Features

- ◆ Low On-Resistance (2.5Ω max)
- ◆ Guaranteed R<sub>ON</sub> Match Between Channels (0.5Ω max)
- ◆ Guaranteed R<sub>ON</sub> Flatness over Specified Signal Range (0.5Ω max)
- ◆ Guaranteed Break-Before-Make (MAX4669)
- ◆ Rail-to-Rail Signal Handling
- ◆ Guaranteed ESD Protection >2kV per Method 3015.7
- ◆ +4.5V to +36V Single-Supply Operation  
±4.5V to ±20V Dual-Supply Operation
- ◆ TTL/CMOS-Compatible Control Inputs

### Ordering Information

| PART       | TEMP. RANGE    | PIN-PACKAGE    |
|------------|----------------|----------------|
| MAX4667CSE | 0°C to +70°C   | 16 Narrow SO   |
| MAX4667CPE | 0°C to +70°C   | 16 Plastic DIP |
| MAX4667ESE | -40°C to +85°C | 16 Narrow SO   |
| MAX4667EPE | -40°C to +85°C | 16 Plastic DIP |

Ordering Information continued at end of data sheet.

### Pin Configurations/Functional Diagrams/Truth Tables

TOP VIEW

SO/DIP

| MAX4667 |        |
|---------|--------|
| LOGIC   | SWITCH |
| 0       | ON     |
| 1       | OFF    |

SO/DIP

| MAX4668 |        |
|---------|--------|
| LOGIC   | SWITCH |
| 0       | OFF    |
| 1       | ON     |

SO/DIP

| MAX4669 |          |          |
|---------|----------|----------|
| LOGIC   | SWITCH 1 | SWITCH 2 |
| 0       | OFF      | ON       |
| 1       | ON       | OFF      |

Rail-to-Rail is a registered trademark of Nippon Motorola, Ltd.



For free samples & the latest literature: <http://www.maxim-ic.com>, or phone 1-800-998-8800.  
For small orders, phone 1-800-835-8769.

# 2.5Ω, Dual, SPST, CMOS Analog Switches

## ABSOLUTE MAXIMUM RATINGS

|   |                             |
|---|-----------------------------|
| V+ to GND   | -0.3V to +44V               |
| V- to GND   | +0.3V to -44V               |
| V+ to V-  | -0.3V to +44V               |
| V <sub>L</sub> to GND   | (GND - 0.3V) to (V+ + 0.3V) |
| All Other Pins to GND (Note 1)  | (V- - 0.3V) to (V+ + 0.3V)  |
| Continuous Current (COM <sub>-</sub> , NO <sub>-</sub> , NC <sub>-</sub> )                              | ±100mA                      |
| Peak Current (COM <sub>-</sub> , NO <sub>-</sub> , NC <sub>-</sub> )<br>(pulsed at 1ms, 10% duty cycle) | ±300mA                      |

|   |                 |
|---|-----------------|
| Continuous Power Dissipation (T <sub>A</sub> = +70°C) |                 |
| Narrow SO (derate 8.70mW/°C above +70°C)              | 696mW           |
| Plastic DIP (derate 10.53mW/°C above +70°C)           | 842mW           |
| Operating Temperature Ranges                          |                 |
| MAX466_C_E  | 0°C to +70°C    |
| MAX466_E_E  | -40°C to +85 °C |
| Storage Temperature Range                             | -65°C to +150°C |
| Lead Temperature (soldering, 10sec)                   | +300°C          |

**Note 1:** Signals on NC<sub>-</sub>, NO<sub>-</sub>, COM<sub>-</sub>, or IN<sub>-</sub> exceeding V+ or V- will be clamped by internal diodes. Limit the forward diode current to maximum current rating.

Stresses beyond those listed under "Absolute Maximum Ratings" may cause permanent damage to the device. These are stress ratings only, and functional operation of the device at these or any other conditions beyond those indicated in the operational sections of the specifications is not implied. Exposure to absolute maximum rating conditions for extended periods may affect device reliability.

## ELECTRICAL CHARACTERISTICS—Dual Supplies

(V+ = +15V, V- = -15V, V<sub>L</sub> = +5V, V<sub>IN\_H</sub> = +2.4V, V<sub>IN\_L</sub> = +0.8V, T<sub>A</sub> = T<sub>MIN</sub> to T<sub>MAX</sub>, unless otherwise noted. Typical values are at T<sub>A</sub> = +25°C.) (Note 2)

| PARAMETER   | SYMBOL  | CONDITIONS   | MIN   | TYP   | MAX  | UNITS |
|---|---|--|---|-------|------|-------|
| <b>ANALOG SWITCH</b>  |   |  |   |       |      |       |
| Input Voltage Range<br>(Note 3)   | V <sub>COM<sub>-</sub></sub> , V <sub>NO<sub>-</sub></sub> ,<br>V <sub>NC<sub>-</sub></sub> |  | V-  |       | V+   | V     |
| COM <sub>-</sub> to NO <sub>-</sub> , COM <sub>-</sub> to NC <sub>-</sub><br>On-Resistance  | R <sub>ON</sub>   | I <sub>COM<sub>-</sub></sub> = 10mA,<br>V <sub>NO<sub>-</sub></sub> or V <sub>NC<sub>-</sub></sub> = ±10V                | T <sub>A</sub> = +25°C                                | 1.6   | 2.5  | Ω     |
|   |   |  | T <sub>A</sub> = T <sub>MIN</sub> to T <sub>MAX</sub> |       | 3    |       |
| COM <sub>-</sub> to NO <sub>-</sub> , COM <sub>-</sub> to NC <sub>-</sub><br>On-Resistance Match Between<br>Channels (Notes 3, 4) | ΔR <sub>ON</sub>  | I <sub>COM<sub>-</sub></sub> = 10mA; V <sub>NO<sub>-</sub></sub><br>or V <sub>NC<sub>-</sub></sub> = -5V, 0, 5V          | T <sub>A</sub> = +25°C                                | 0.05  | 0.4  | Ω     |
|   |   |  | T <sub>A</sub> = T <sub>MIN</sub> to T <sub>MAX</sub> |       | 0.5  |       |
| COM <sub>-</sub> to NO <sub>-</sub> , COM <sub>-</sub> to NC <sub>-</sub><br>On-Resistance Flatness<br>(Notes 3, 5)               | R <sub>FLAT(ON)</sub>   | I <sub>COM<sub>-</sub></sub> = 10mA,<br>V <sub>NO<sub>-</sub></sub> or V <sub>NC<sub>-</sub></sub> = ±10V                | T <sub>A</sub> = +25°C                                | 0.1   | 0.4  | Ω     |
|   |   |  | T <sub>A</sub> = T <sub>MIN</sub> to T <sub>MAX</sub> |       | 0.5  |       |
| Off-Leakage Current<br>(NO <sub>-</sub> or NC <sub>-</sub> ) (Note 6)   | I <sub>NO<sub>-</sub></sub> , I <sub>NC<sub>-</sub></sub>                                   | V <sub>COM<sub>-</sub></sub> = ±10V,<br>V <sub>NO<sub>-</sub></sub> or V <sub>NC<sub>-</sub></sub> = ∓10V                | T <sub>A</sub> = +25°C                                | -0.5  | 0.01 | nA    |
|   |   |  | T <sub>A</sub> = T <sub>MIN</sub> to T <sub>MAX</sub> | -5    | 5    |       |
| COM <sub>-</sub> Off-Leakage Current<br>(Note 6)  | I <sub>COM<sub>-</sub>(OFF)</sub>   | V <sub>COM<sub>-</sub></sub> = ±10V,<br>V <sub>NO<sub>-</sub></sub> or V <sub>NC<sub>-</sub></sub> = ∓10V                | T <sub>A</sub> = +25°C                                | -0.5  | 0.01 | nA    |
|   |   |  | T <sub>A</sub> = T <sub>MIN</sub> to T <sub>MAX</sub> | -5    | 5    |       |
| COM <sub>-</sub> On-Leakage Current<br>(Note 6)   | I <sub>COM<sub>-</sub>(ON)</sub>  | V <sub>COM<sub>-</sub></sub> = ±10V,<br>V <sub>NO<sub>-</sub></sub> or V <sub>NC<sub>-</sub></sub> = ±10V<br>or floating | T <sub>A</sub> = +25°C                                | -1    | 0.02 | nA    |
|   |   |  | T <sub>A</sub> = T <sub>MIN</sub> to T <sub>MAX</sub> | -20   | 20   |       |
| <b>LOGIC INPUT</b>  |   |  |   |       |      |       |
| Input Current with Input Voltage<br>High  | I <sub>IN_H</sub>   | IN <sub>-</sub> = 2.4V, all others = 0.8V  | -0.5  | 0.001 | 0.5  | μA    |
| Input Current with Input Voltage<br>Low   | I <sub>IN_L</sub>   | IN <sub>-</sub> = 0.8V, all others = 2.4V  | -0.5  | 0.001 | 0.5  | μA    |
| Logic Input Voltage High  | V <sub>IN_H</sub>   |  | 2.4   |       |      | V     |
| Logic Input Voltage Low   | V <sub>IN_L</sub>   |  |   |       | 0.8  | V     |

# 2.5Ω, Dual, SPST, CMOS Analog Switches

MAX4667/MAX4668/MAX4669

## ELECTRICAL CHARACTERISTICS—Dual Supplies (continued)

(V+ = +15V, V- = -15V, VL = +5V, VIN\_H = +2.4V, VIN\_L = +0.8V, TA = TMIN to TMAX, unless otherwise noted. Typical values are at TA = +25°C.) (Note 2)

| PARAMETER                              | SYMBOL | CONDITIONS                               |                   | MIN  | TYP   | MAX   | UNITS |
|--|--------|--|-------------------|------|-------|-------|-------|
| <b>POWER SUPPLY</b>                    |        |  |                   |      |       |       |       |
| Power-Supply Range                     |        |  |                   | ±4.5 |       | ±20.0 | V     |
| Positive Supply Current                | I+     | VIN = 0 or 5V                            | TA = +25°C        | -0.5 | 0.001 | 0.5   | μA    |
|  |        |  | TA = TMIN to TMAX | 5    |       | 5     |       |
| Negative Supply Current                | I-     | VIN = 0 or 5V                            | TA = +25°C        | -0.5 | 0.001 | 0.5   | μA    |
|  |        |  | TA = TMIN to TMAX | 5    |       | 5     |       |
| Logic Supply Current                   | IL     | VIN = 0 or 5V                            | TA = +25°C        | -0.5 | 0.001 | 0.5   | μA    |
|  |        |  | TA = TMIN to TMAX | 5    |       | 5     |       |
| Ground Current                         | IGND   | VIN = 0 or 5V                            | TA = +25°C        | -0.5 | 0.001 | 0.5   | μA    |
|  |        |  | TA = TMIN to TMAX | 5    |       | 5     |       |
| <b>SWITCH DYNAMIC CHARACTERISTICS</b>  |        |  |                   |      |       |       |       |
| Turn-On Time                           | tON    | VCOM_ = ±10V, Figure 2                   | TA = +25°C        |      | 130   | 275   | ns    |
|  |        |  | TA = TMIN to TMAX |      |       | 400   |       |
| Turn-Off Time                          | tOFF   | VCOM_ = ±10V, Figure 2                   | TA = +25°C        |      | 90    | 175   | ns    |
|  |        |  | TA = TMIN to TMAX |      |       | 300   |       |
| Break-Before-Make Time Delay (MAX4669) |        | VCOM = 10V                               |                   | 5    | 30    |       | ns    |
| Charge Injection                       | Q      | CL = 1.0nF, VGEN = 0, RGEN = 0, Figure 3 |                   |      | 450   |       | pC    |
| Off-Isolation (Note 7)                 | VISO   | RL = 50Ω, CL = 5pF, f = 1MHz, Figure 4   |                   |      | -60   |       | dB    |
| Crosstalk (Note 8)                     | VCT    | RL = 50Ω, CL = 5pF, f = 1MHz, Figure 5   |                   |      | -66   |       | dB    |
| NC_ or NO_ Capacitance                 | COFF   | f = 1MHz, Figure 6                       |                   |      | 65    |       | pF    |
| COM_ Off-Capacitance                   | CCOM   | f = 1MHz, Figure 6                       |                   |      | 65    |       | pF    |
| On-Capacitance                         | CCOM   | f = 1MHz, Figure 7                       |                   |      | 290   |       | pF    |

## 2.5Ω, Dual, SPST, CMOS Analog Switches

### ELECTRICAL CHARACTERISTICS—Single Supply

(V+ = +12V, V- = 0, VL = +5V, VIN\_H = +2.4V, VIN\_L = +0.8V, TA = TMIN to TMAX, unless otherwise noted. Typical values are at TA = +25°C.) (Note 2)

| PARAMETER  | SYMBOL                              | CONDITIONS   |                                 | MIN        | TYP   | MAX        | UNITS |
|--|-------------------------------------|--|---------------------------------|------------|-------|------------|-------|
| <b>ANALOG SWITCH</b>   |                                     |  |                                 |            |       |            |       |
| Input Voltage Range<br>(Note 3)  | VCOM_, VNO_,<br>VNC_                |  |                                 | 0          |       | V+         | V     |
| COM_ to NO_, COM_ to NC_<br>On-Resistance  | RON                                 | I <sub>COM_</sub> = 10mA;<br>VNO_ or VNC_ = 10V            | TA = +25°C<br>TA = TMIN to TMAX |            | 3     | 4<br>5     | Ω     |
| COM_ to NO_, COM_ to NC_<br>On-Resistance Match Between<br>Channels (Notes 3, 4) | ΔRON                                | I <sub>COM_</sub> = 10mA;<br>VNO_ or VNC_ = 10V            | TA = +25°C<br>TA = TMIN to TMAX |            | 0.05  | 0.4<br>0.5 | Ω     |
| COM_ to NO_, COM_ to NC_<br>On-Resistance Flatness<br>(Note 5)                   | R <sub>FLAT(ON)</sub>               | I <sub>COM_</sub> = 10mA;<br>VNO_ or VNC_ = 3V,<br>6V, 0V  | TA = +25°C<br>TA = TMIN to TMAX |            | 0.05  | 0.5<br>0.5 | Ω     |
| Off-Leakage Current<br>(NO_ or NC_) (Notes 6, 9)                                 | I <sub>NO_</sub> , I <sub>NC_</sub> | VCOM_ = 1V, 10V;<br>VNO_ or VNC_ = 1V,<br>10V              | TA = +25°C<br>TA = TMIN to TMAX | -0.5<br>-5 | 0.01  | 0.5<br>5   | nA    |
| COM Off-Leakage Current<br>(Notes 6, 9)  | I <sub>COM(OFF)</sub>               | VCOM_ = 10V, 1V;<br>VNO_ or VNC_ = 1V,<br>10V              | TA = +25°C<br>TA = TMIN to TMAX | -0.5<br>-5 | 0.01  | 0.5<br>5   | nA    |
| COM On-Leakage Current<br>(Notes 6, 9)   | I <sub>COM(ON)</sub>                | VCOM_ = 1V, 10V;<br>VNO_ or VNC_ = 1V,<br>10V, or floating | TA = +25°C<br>TA = TMIN to TMAX | -1<br>-20  | 0.01  | 1<br>20    | nA    |
| <b>LOGIC INPUT</b>   |                                     |  |                                 |            |       |            |       |
| Input Current with<br>Input Voltage High   | I <sub>IN_H</sub>                   | IN_ = 2.4V, all others = 0.8V                              |                                 | -0.5       | 0.001 | 0.5        | μA    |
| Input Current with<br>Input Voltage Low  | I <sub>IN_L</sub>                   | IN_ = 0.8V, all others = 2.4V                              |                                 | -0.5       | 0.001 | 0.5        | μA    |
| Logic Input Voltage High   | V <sub>IN_H</sub>                   |  |                                 | 2.4        |       |            | V     |
| Logic Input Voltage Low  | V <sub>IN_L</sub>                   |  |                                 |            |       | 0.8        | V     |

# 2.5Ω, Dual, SPST, CMOS Analog Switches

MAX4667/MAX4668/MAX4669

## ELECTRICAL CHARACTERISTICS—Single Supply (continued)

(V+ = +12V, V- = 0, VL = +5V, VIN\_H = +2.4V, VIN\_L = +0.8V, TA = TMIN to TMAX, unless otherwise noted. Typical values are at TA = +25°C.) (Note 2)

| PARAMETER                              | SYMBOL           | CONDITIONS                               | MIN               | TYP  | MAX   | UNITS |    |
|--|------------------|--|-------------------|------|-------|-------|----|
| <b>POWER SUPPLY</b>                    |                  |  |                   |      |       |       |    |
| Power-Supply Range                     |                  |  | 4.5               |      | 36.0  | V     |    |
| Positive Supply Current                | I+               | VIN = 0 or 5V                            | TA = +25°C        | -0.5 | 0.001 | 0.5   | μA |
|  |                  |  | TA = TMIN to TMAX | -5   |       | 5     |    |
| Logic Supply Current                   | IL               | VIN = 0 or 5V                            | TA = +25°C        | -0.5 | 0.001 | 0.5   | μA |
|  |                  |  | TA = TMIN to TMAX | -5   |       | 5     |    |
| Ground Current                         | IGND             | VIN = 0 or 5V                            | TA = +25°C        | -0.5 | 0.001 | 0.5   | μA |
|  |                  |  | TA = TMIN to TMAX | -5   |       | 5     |    |
| <b>SWITCH DYNAMIC CHARACTERISTICS</b>  |                  |  |                   |      |       |       |    |
| Turn-On Time (Note 3)                  | tON              | VCOM_ = 10V, Figure 2                    | TA = +25°C        | 200  | 400   | ns    |    |
|  |                  |  | TA = TMIN to TMAX |      | 500   |       |    |
| Turn-Off Time (Note 3)                 | tOFF             | VCOM_ = 10V, Figure 2                    | TA = +25°C        | 100  | 200   | ns    |    |
|  |                  |  | TA = TMIN to TMAX |      | 300   |       |    |
| Break-Before-Make Time Delay (MAX4669) |                  | VCOM = 10V                               | 10                |      |       | ns    |    |
| Charge Injection                       | Q                | CL = 1.0nF, VGEN = 0, RGEN = 0, Figure 3 |                   | 50   |       | pC    |    |
| Crosstalk (Note 8)                     | VCT              | RL = 50Ω, CL = 5pF, f = 1MHz, Figure 5   |                   | -66  |       | dB    |    |
| NC or NO Capacitance                   | C <sub>OFF</sub> | f = 1MHz, Figure 6, TA = +25°C           |                   | 105  |       | pF    |    |
| COM Off-Capacitance                    | C <sub>COM</sub> | f = 1MHz, Figure 6, TA = +25°C           |                   | 105  |       | pF    |    |
| On-Capacitance                         | C <sub>COM</sub> | f = 1MHz, Figure 7, TA = +25°C           |                   | 185  |       | pF    |    |

**Note 2:** The algebraic convention, where the most negative value is a minimum and the most positive value a maximum, is used in this data sheet.

**Note 3:** Guaranteed by design.

**Note 4:**  $\Delta R_{ON} = R_{ON(MAX)} - R_{ON(MIN)}$ .

**Note 5:** Flatness is defined as the difference between the maximum and minimum values of on-resistance as measured over the specified analog signal range.

**Note 6:** Leakage parameters are 100% tested at maximum-rated hot temperature and guaranteed by correlation at +25°C.

**Note 7:** Off-isolation =  $20 \log_{10} [V_{COM} / (V_{NC} \text{ or } V_{NO})]$ , VCOM = output, VNC or VNO = input to off switch.

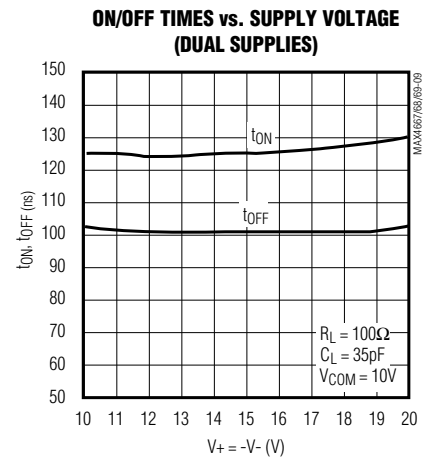
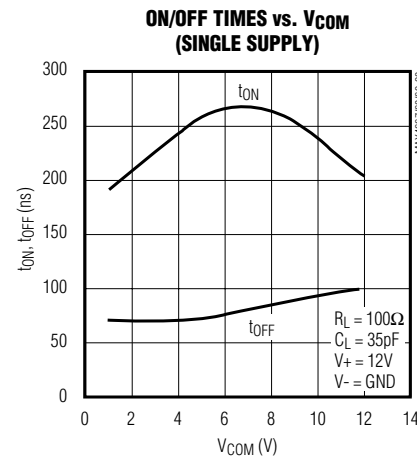
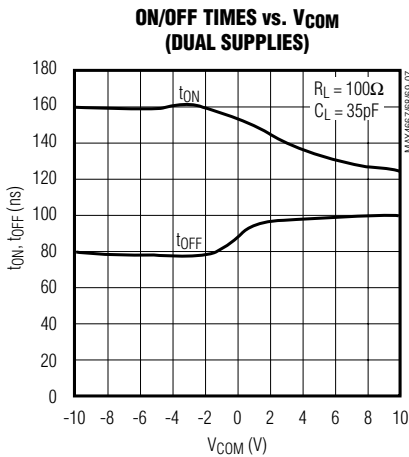
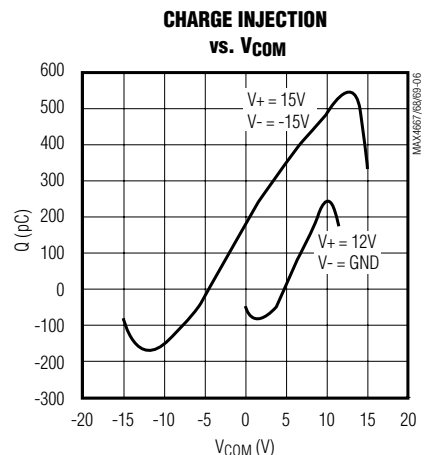
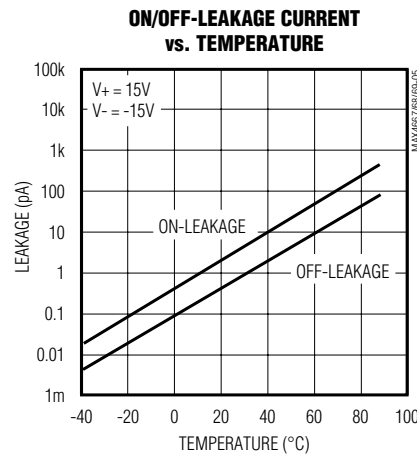
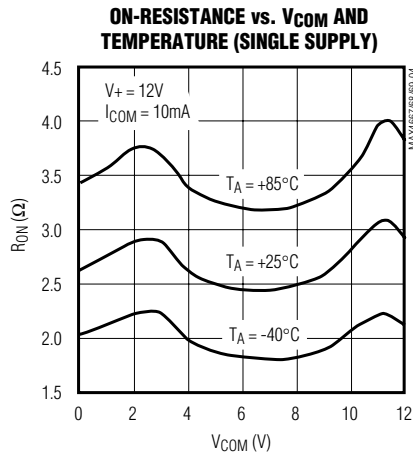
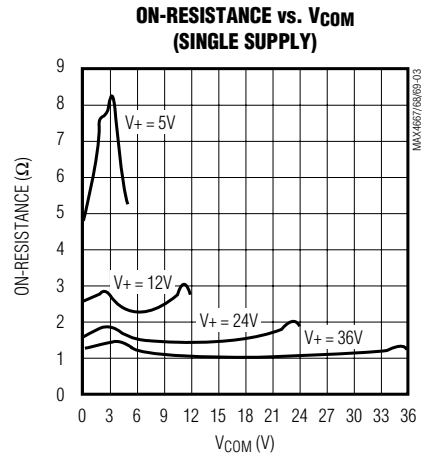
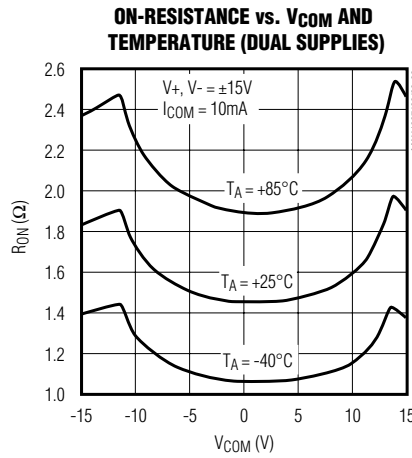
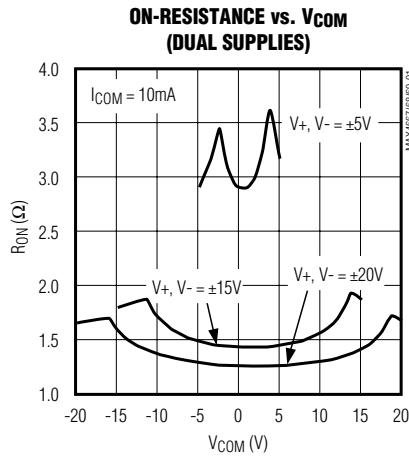
**Note 8:** Between any two switches.

**Note 9:** Leakage testing at single supply is guaranteed by testing with dual supplies.

# 2.5Ω, Dual, SPST, CMOS Analog Switches

## Typical Operating Characteristics

( $T_A = +25^\circ\text{C}$ , unless otherwise noted.)



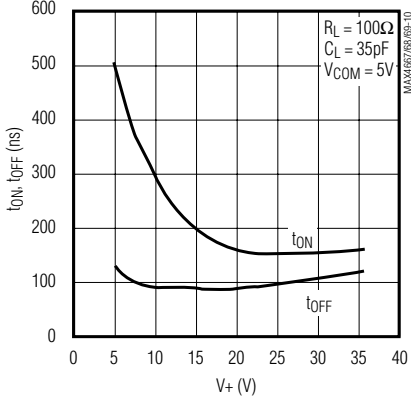
# 2.5Ω, Dual, SPST, CMOS Analog Switches

## Typical Operating Characteristics (continued)

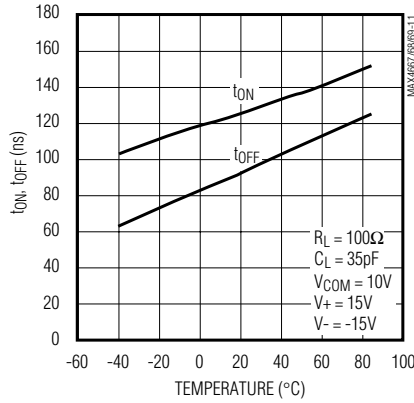
(T<sub>A</sub> = +25°C, unless otherwise noted.)

MAX4667/MAX4668/MAX4669

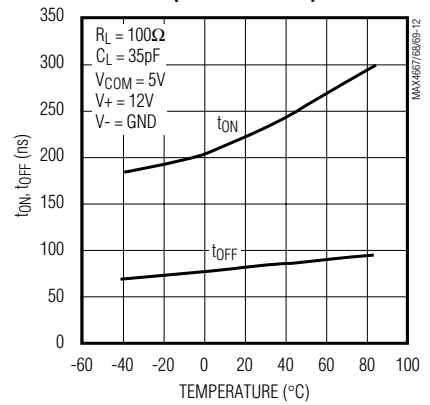
**ON/OFF TIMES vs. SUPPLY VOLTAGE (SINGLE SUPPLY)**



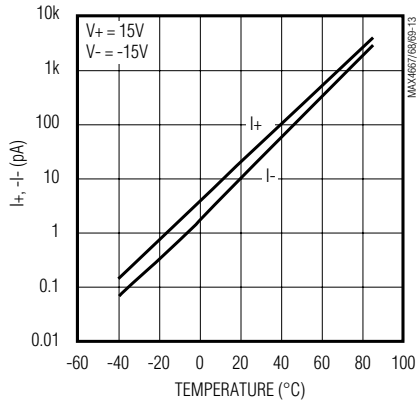
**ON/OFF TIMES vs. TEMPERATURE (DUAL SUPPLIES)**



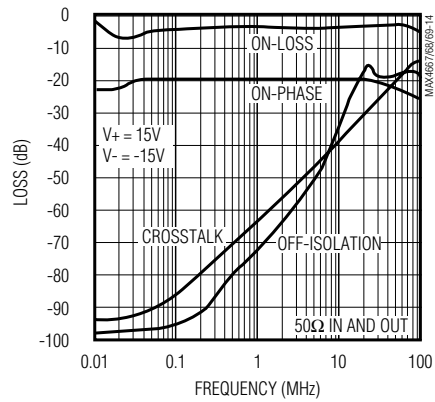
**ON/OFF TIMES vs. TEMPERATURE (SINGLE SUPPLY)**



**SUPPLY CURRENT vs. TEMPERATURE**



**FREQUENCY RESPONSE**



# 2.5Ω, Dual, SPST, CMOS Analog Switches

## Pin Description

| PIN                |                    |                    | NAME           | FUNCTION  |
|--------------------|--------------------|--------------------|----------------|---|
| MAX4667            | MAX4668            | MAX4669            |                |   |
| 1, 3, 6, 8, 10, 15 | 1, 3, 6, 8, 10, 15 | 1, 3, 6, 8, 10, 15 | N.C.           | No Connection. Not internally connected. Connect to GND as low impedance to improve on/off-isolation. |
| 2, 7               | 2, 7               | 2, 7               | IN2, IN2       | Logic-Control Digital Inputs  |
| 4                  | 4                  | 4                  | V-             | Negative Analog Supply Voltage Input. Connect to GND for single-supply operation.                     |
| 5                  | 5                  | 5                  | GND            | Ground  |
| 12                 | 12                 | 12                 | V <sub>L</sub> | Logic Supply Input  |
| 13                 | 13                 | 13                 | V+             | Positive Analog Supply Voltage Input  |
| 14, 11             | 14, 11             | 14, 11             | COM1, COM2     | Analog Switch, Common Terminals   |
| 16, 9              | —                  | —                  | NC1, NC2       | Analog Switch, Normally Closed Terminals  |
| —                  | 16, 9              | —                  | NO1, NO2       | Analog Switch, Normally Open Terminals  |
| —                  | —                  | 9                  | NC1            | Analog Switch, Normally Closed Terminal   |
| —                  | —                  | 16                 | NO1            | Analog Switch, Normally Open Terminal   |

## Applications Information

### Overvoltage Protection

Proper power-supply sequencing is recommended for all CMOS devices. Do not exceed the absolute maximum ratings because stresses beyond the listed ratings can cause permanent damage to the devices. Always sequence V<sub>+</sub> on first, then V<sub>-</sub>, followed by the logic inputs, NO, or COM. If power-supply sequencing is not possible, add two small signal diodes (D1, D2) in series with supply pins (Figure 1). Adding diodes reduces the analog signal range to one diode drop below V<sub>+</sub> and one diode drop above V<sub>-</sub>, but does not affect the devices' low switch resistance and low leakage characteristics. Device operation is unchanged, and the difference between V<sub>+</sub> and V<sub>-</sub> should not exceed 44V. These protection diodes are not recommended when using a single supply.

### Off-Isolation at High Frequencies

With the N.C. pins connected to GND, the high-frequency on-response of these parts extends from DC to above 100MHz with a typical loss of -2dB. When the switch is turned off, however, it behaves like a capacitor, and off-isolation decreases with increasing frequency. (Above 300MHz, the switch actually passes more signal turned off than turned on.) This effect is more pronounced with higher source and load impedances.

Above 5MHz, circuit-board layout becomes critical and it becomes difficult to characterize the response of the switch independent of the circuit. The graphs shown in the *Typical Operating Characteristics* were taken using a 50Ω source and load connected with BNC connectors to a circuit board deemed "average"; that is, designed with isolation in mind, but not using stripline or other special RF circuit techniques. For critical applications above 5MHz, use the MAX440, MAX441, and MAX442, which are fully characterized up to 160MHz.

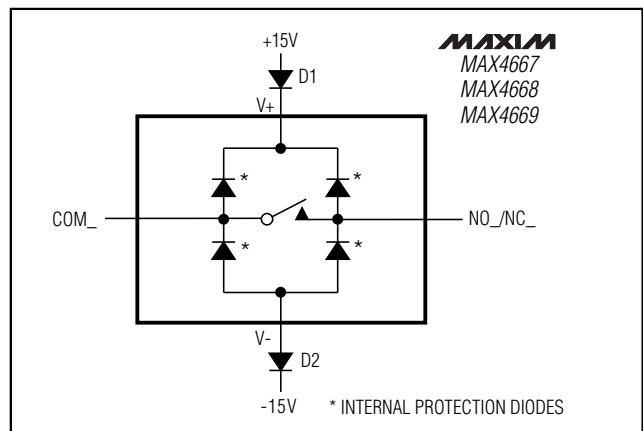


Figure 1. Overvoltage Protection Using External Blocking Diodes



# 2.5Ω, Dual, SPST, CMOS Analog Switches

## Test Circuits/Timing Diagrams

MAX4667/MAX4668/MAX4669

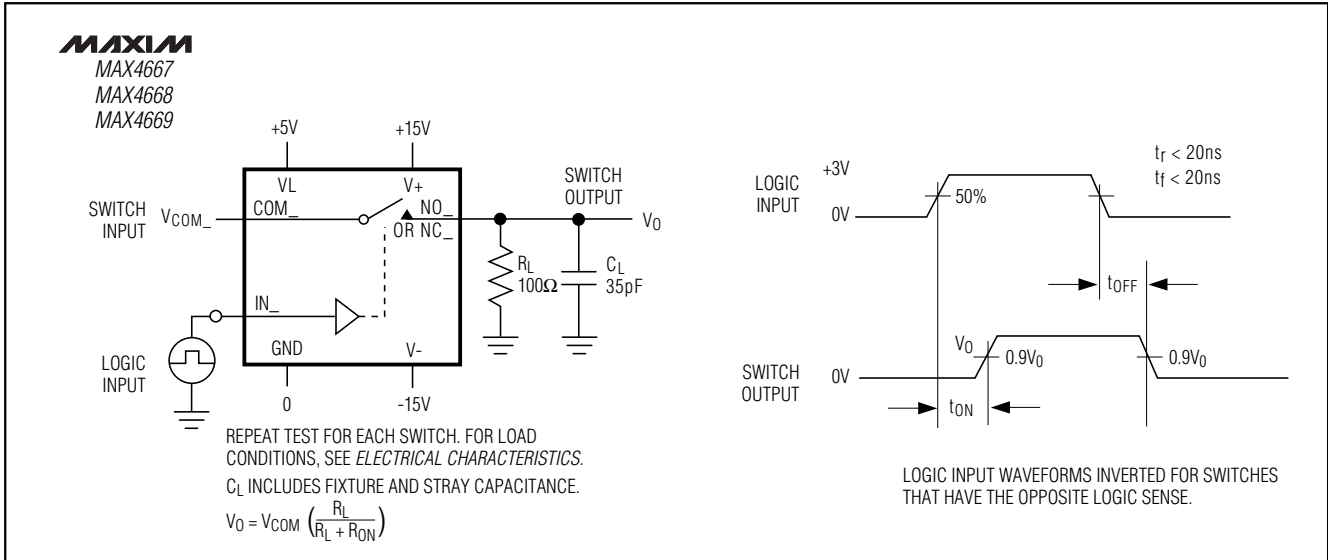


Figure 2. Switching-Time Test Circuit

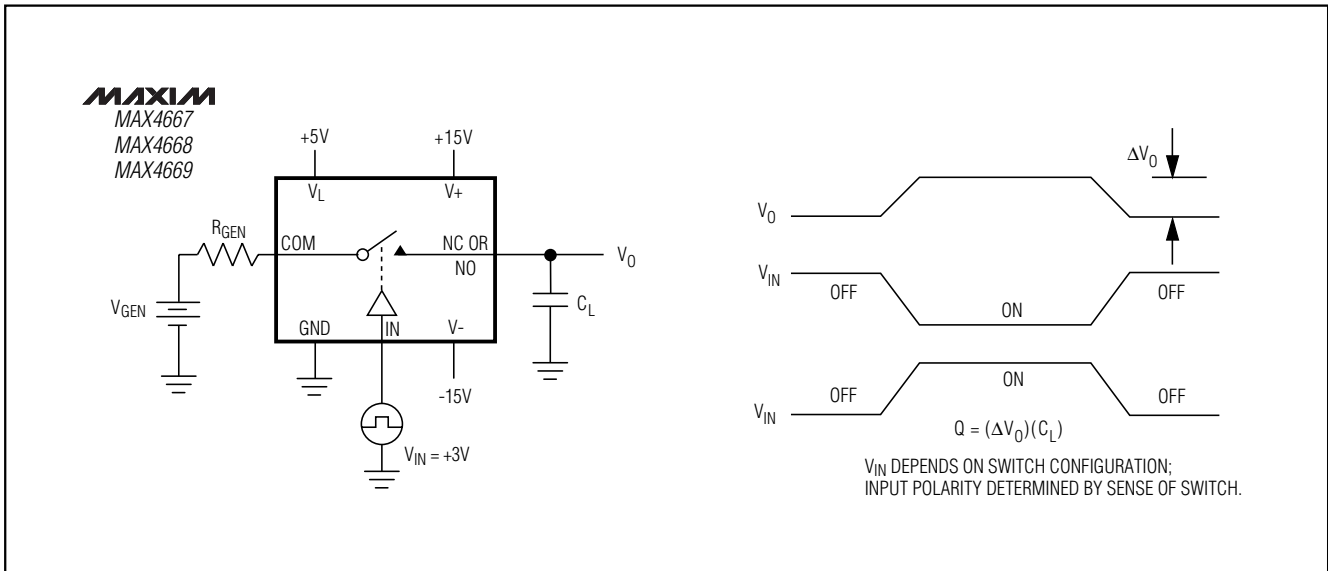


Figure 3. Charge-Injection Test Circuit

# 2.5Ω, Dual, SPST, CMOS Analog Switches

## Test Circuits/Timing Diagrams (continued)

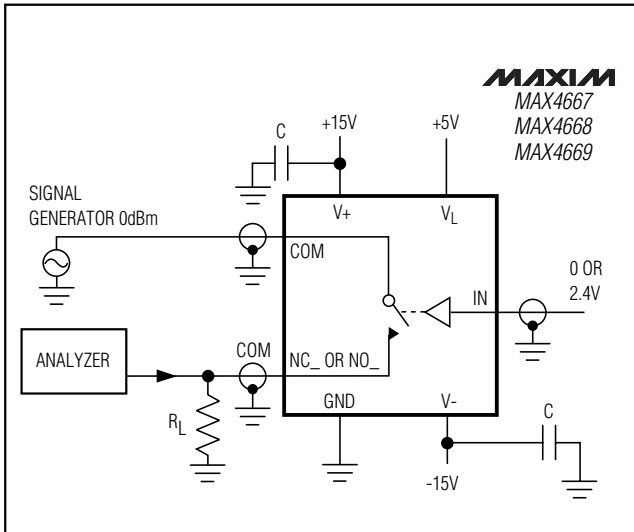


Figure 4. Off-Isolation Test Circuit

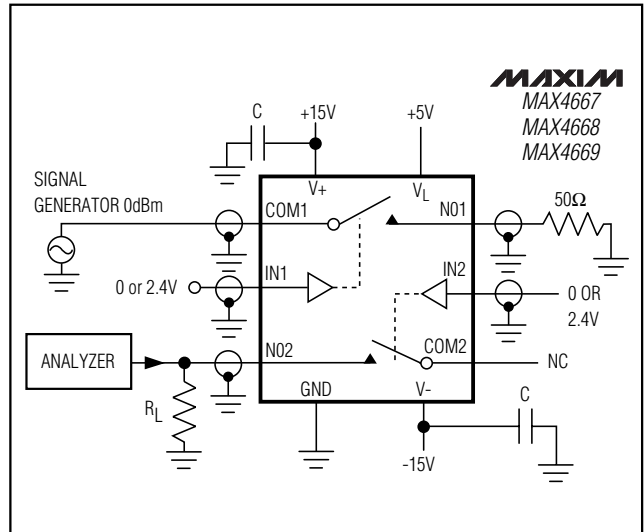


Figure 5. Crosstalk Test Circuit

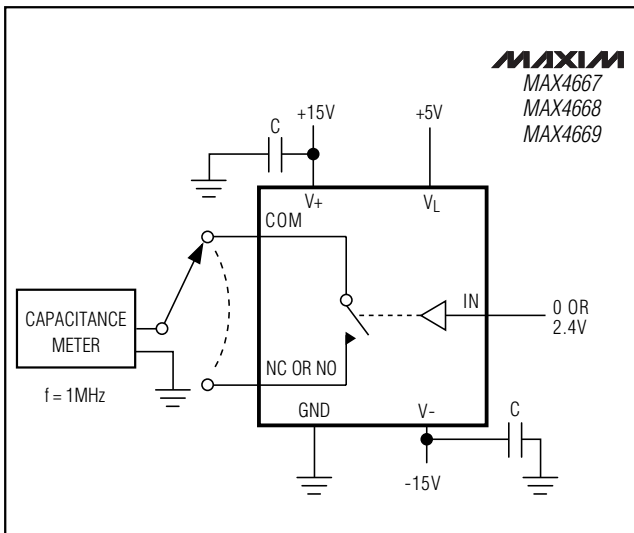


Figure 6. Switch Off-Capacitance Test Circuit

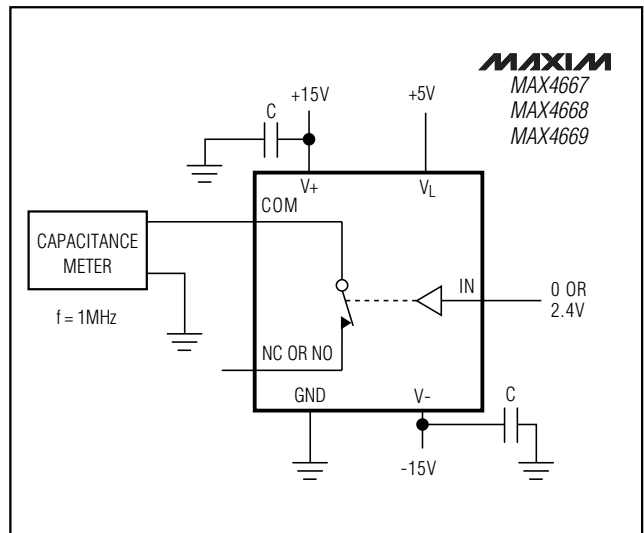


Figure 7. Switch On-Capacitance Test Circuit

# 2.5Ω, Dual, SPST, CMOS Analog Switches

MAX4667/MAX4668/MAX4669

## Ordering Information (continued)

| PART       | TEMP. RANGE    | PIN-PACKAGE    |
|------------|----------------|----------------|
| MAX4668CSE | 0°C to +70°C   | 16 Narrow SO   |
| MAX4668CPE | 0°C to +70°C   | 16 Plastic DIP |
| MAX4668ESE | -40°C to +85°C | 16 Narrow SO   |
| MAX4668EPE | -40°C to +85°C | 16 Plastic DIP |
| MAX4669CSE | 0°C to +70°C   | 16 Narrow SO   |
| MAX4669CPE | 0°C to +70°C   | 16 Plastic DIP |
| MAX4669ESE | -40°C to +85°C | 16 Narrow SO   |
| MAX4669EPE | -40°C to +85°C | 16 Plastic DIP |

## Chip Information

TRANSISTOR COUNT: 108

## Package Information

|    | INCHES |       | MILLIMETERS |      |
|----|--------|-------|-------------|------|
|    | MIN    | MAX   | MIN         | MAX  |
| A  | 0.053  | 0.069 | 1.35        | 1.75 |
| A1 | 0.004  | 0.010 | 0.10        | 0.25 |
| B  | 0.014  | 0.019 | 0.35        | 0.49 |
| C  | 0.007  | 0.010 | 0.19        | 0.25 |
| e  | 0.050  |       | 1.27        |      |
| E  | 0.150  | 0.157 | 3.80        | 4.00 |
| H  | 0.228  | 0.244 | 5.80        | 6.20 |
| h  | 0.010  | 0.020 | 0.25        | 0.50 |
| L  | 0.016  | 0.050 | 0.40        | 1.27 |

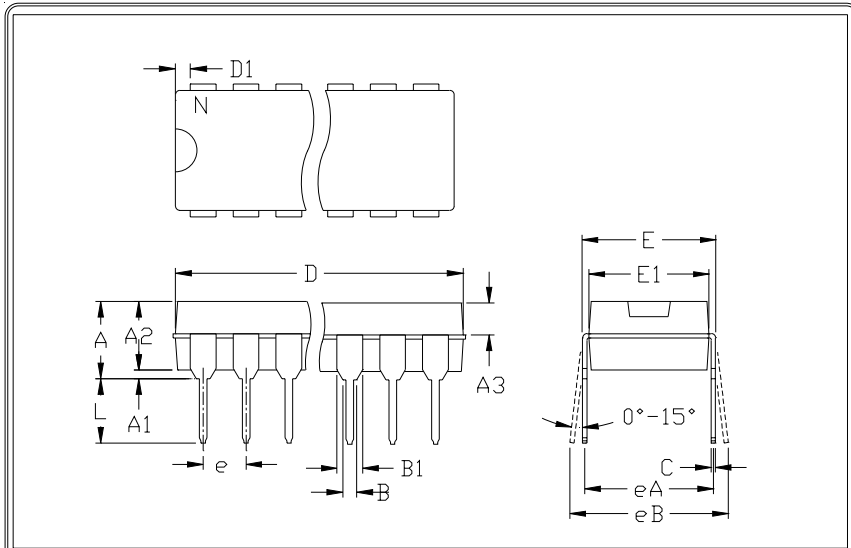
|   | INCHES |       | MILLIMETERS |       | N  | MS012 |
|---|--------|-------|-------------|-------|----|-------|
|   | MIN    | MAX   | MIN         | MAX   |    |       |
| D | 0.189  | 0.197 | 4.80        | 5.00  | 8  | A     |
| D | 0.337  | 0.344 | 8.55        | 8.75  | 14 | B     |
| D | 0.386  | 0.394 | 9.80        | 10.00 | 16 | C     |

NOTES:  
 1. D&E DO NOT INCLUDE MOLD FLASH  
 2. MOLD FLASH OR PROTRUSIONS NOT TO EXCEED .15mm (.006")  
 3. LEADS TO BE COPLANAR WITHIN .102mm (.004")  
 4. CONTROLLING DIMENSION: MILLIMETER  
 5. MEETS JEDEC MS012-XX AS SHOWN IN ABOVE TABLE  
 6. N = NUMBER OF PINS

121 SAN GABRIEL DR. SAN JOSE, CA 95086 FAX (408) 737-7794  
 PROPRIETARY INFORMATION  
 PACKAGE FAMILY OUTLINE: SOIC .150" 1/1  
 21-0041 A  
 DOCUMENT CONTROL NUMBER REV

# 2.5Ω, Dual, SPST, CMOS Analog Switches

## Package Information (continued)



|    | INCHES |       | MILLIMETERS |       |
|----|--------|-------|-------------|-------|
|    | MIN    | MAX   | MIN         | MAX   |
| A  | ---    | 0.200 | ---         | 5.08  |
| A1 | 0.015  | ---   | 0.38        | ---   |
| A2 | 0.125  | 0.175 | 3.18        | 4.45  |
| A3 | 0.055  | 0.080 | 1.40        | 2.03  |
| B  | 0.016  | 0.022 | 0.41        | 0.56  |
| B1 | 0.045  | 0.065 | 1.14        | 1.65  |
| C  | 0.008  | 0.012 | 0.20        | 0.30  |
| D1 | 0.005  | 0.080 | 0.13        | 2.03  |
| E  | 0.300  | 0.325 | 7.62        | 8.26  |
| E1 | 0.240  | 0.310 | 6.10        | 7.87  |
| e  | 0.100  | ---   | 2.54        | ---   |
| eA | 0.300  | ---   | 7.62        | ---   |
| eB | ---    | 0.400 | ---         | 10.16 |
| L  | 0.115  | 0.150 | 2.92        | 3.81  |

|   | INCHES |       | MILLIMETERS |       | N  | MS001 |
|---|--------|-------|-------------|-------|----|-------|
|   | MIN    | MAX   | MIN         | MAX   |    |       |
| D | 0.348  | 0.390 | 8.84        | 9.91  | 8  | AB    |
| D | 0.735  | 0.765 | 18.67       | 19.43 | 14 | AC    |
| D | 0.745  | 0.765 | 18.92       | 19.43 | 16 | AA    |
| D | 0.885  | 0.915 | 22.48       | 23.24 | 18 | AD    |
| D | 1.015  | 1.045 | 25.78       | 26.54 | 20 | AE    |
| D | 1.14   | 1.265 | 28.96       | 32.13 | 24 | AF    |
| D | 1.360  | 1.380 | 34.54       | 35.05 | 28 | *5    |

- NOTES:
1. D&E DO NOT INCLUDE MOLD FLASH
  2. MOLD FLASH OR PROTRUSIONS NOT TO EXCEED .15mm (.006")
  3. CONTROLLING DIMENSION: MILLIMETER
  4. MEETS JEDEC MS001-XX AS SHOWN IN ABOVE TABLE
  5. SIMILAR TO JEDEC MO-058AB
  6. N = NUMBER OF PINS

|  |                                    |  |  |
|--|------------------------------------|--|--|
| <br><small>120 SAN GABRIEL DR. SUNNYVALE CA 94086 FAX (408) 737-7504</small><br><small>PROPRIETARY INFORMATION</small> | PACKAGE FAMILY OUTLINE: PDIP .300" |  | 21-0043 A                                  |
|  |                                    |  | <small>DOCUMENT CONTROL NUMBER REV</small> |

Maxim cannot assume responsibility for use of any circuitry other than circuitry entirely embodied in a Maxim product. No circuit patent licenses are implied. Maxim reserves the right to change the circuitry and specifications without notice at any time.

12 **Maxim Integrated Products, 120 San Gabriel Drive, Sunnyvale, CA 94086 408-737-7600**