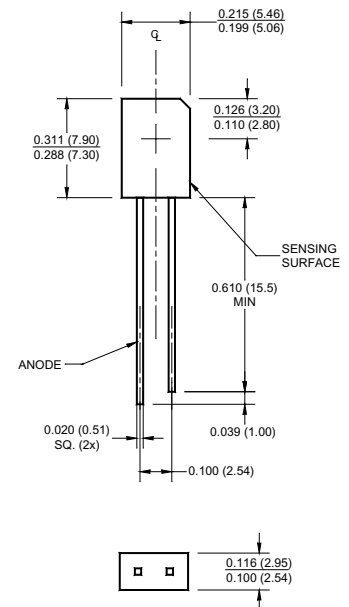


Plastic Silicon Photosensors

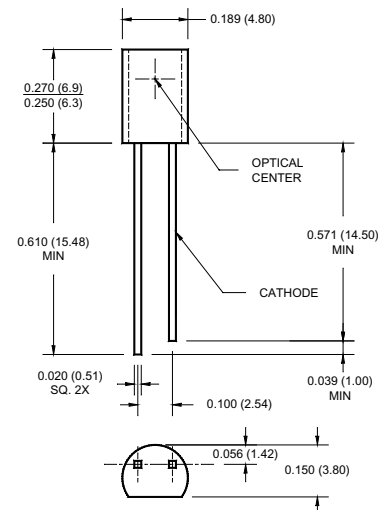
Sidelooker Detector Package (No Lens)



All dimensions are in inches (millimeters)

Part Number	V_R (V)	Test Conditions		I_L (μ A)		I_{RD} @ 10 V V_R (nA) max	Radiant Sensitive Area (mm ²)	Sensor Type
		E_e (mW/cm ²)	λ_p (nm)	min	max			
QSE773	5	1.0	940 GaAs	30.0	-	30	2.71 x 2.71	Photodiode

T0-92 Detector Package



All dimensions are in inches (millimeters)

Part Number	V_R (V)	Test Conditions		I_L (μ A)		I_{RD} @ 10 V V_R (nA) max	Radiant Sensitive Area (mm ²)	Sensor Type
		E_e (mW/cm ²)	λ_p (nm)	min	max			
QSE973	5	1.0	940 GaAs	30.0	-	30	2.71 x 2.71	Photodiode

Absolute Maximum Ratings

PARAMETER QSE11X, 21X

Temperature

T_{OPR}	-40 to +100°C
T_{STG}	-40 to +100°C
T_{SOL-H}	240°C for 5 sec
T_{SOL-F}	260°C for 10 sec

Sensor

V_{CEO}	30 V
V_{ECO}	5.0 V
P_D	100 mW

Absolute Maximum Ratings

PARAMETER QSE773, 993

Temperature

T_{OPR}	-40 to +85°C
T_{STG}	-40 to +85°C
T_{SOL-H}	240°C for 5 sec
T_{SOL-F}	260°C for 10 sec

Diode

I_F	NA
V_R	30 V
P_D	150 mW