

# KA33V

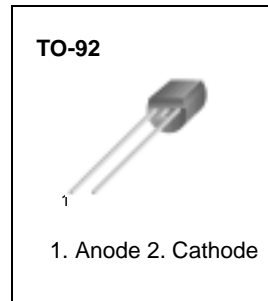
## Voltage Stabilizer

### Features

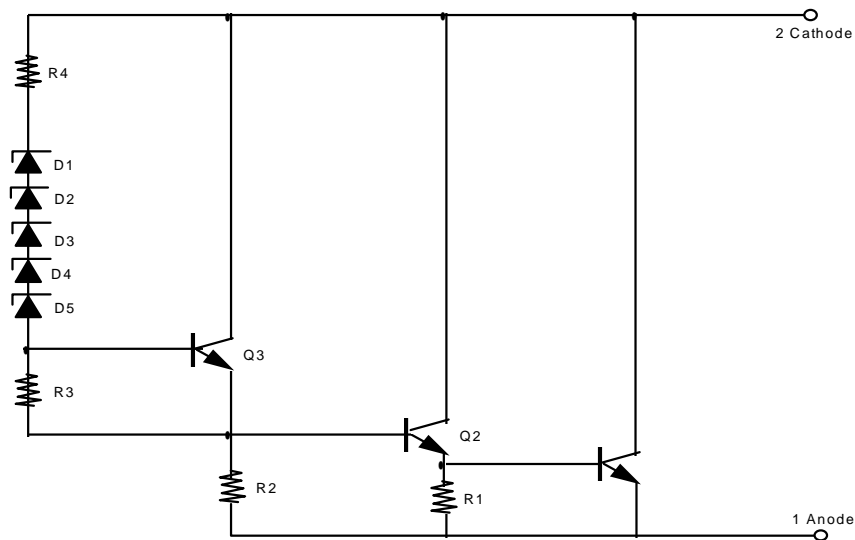
- Low Temperature Coefficient
- Low Dynamic Resistance
- Typical Reference Voltage of 33V

### Description

The KA33V is a monolithic integrated voltage stabilizer especially designed as voltage supplier for electronic tuners.



### Schematic Diagram



### Absolute Maximum Ratings (T<sub>A</sub> = 25°C)

Parameter	Symbol	Value	Unit
Zener Current	I <sub>Z</sub>	10	mA
Power Dissipation (T <sub>A</sub> = 75°C)	P <sub>D</sub>	200	mW
Operating Ambient Temperature Range	T <sub>OPR</sub>	-20 ~ 75	°C
Storage Temperature Range	T <sub>STG</sub>	-40 ~ 125	°C

### Electrical Characteristics (T<sub>A</sub> = 25°C)

Parameter	Symbol	Conditions	Min.	Typ.	Max.	Unit
Stabilized Voltage	V <sub>Z</sub>	I <sub>Z</sub> = 5mA	31		35	V
Stabilized Voltage-Temperature Drift	ΔV <sub>Z</sub> /ΔT	I <sub>Z</sub> = 5mA T <sub>A</sub> = -20 to 75°C	-1	0	1	mV/°C
Dynamic Resistance	R <sub>Z</sub>	I <sub>Z</sub> = 5mA, f = 1KHz	-	10	25	-

## Measuring Circuits

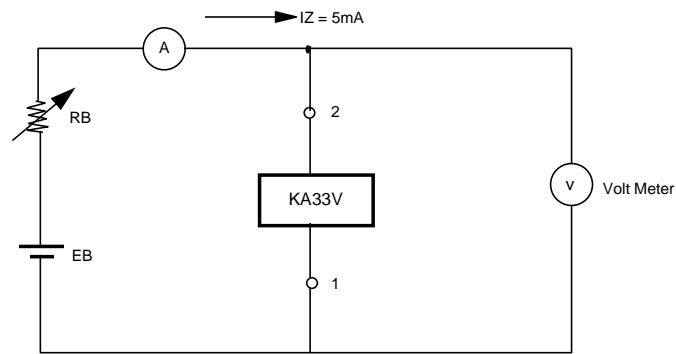


Figure 1. Measuring Circuit for Stabilized Voltage  $V_z$

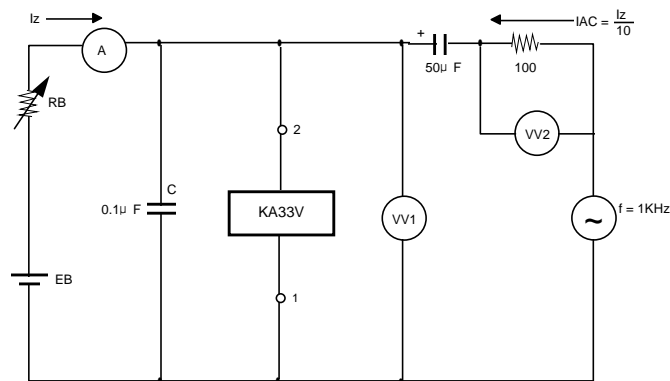


Fig. 3

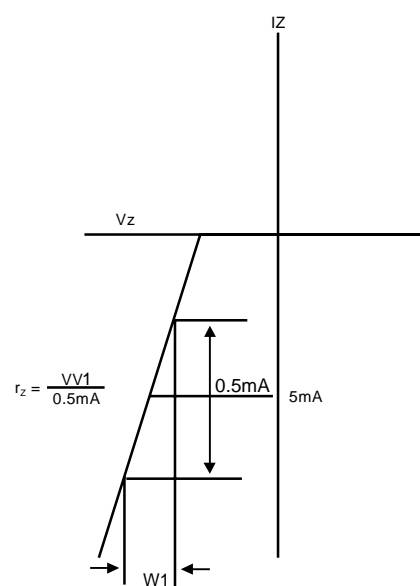
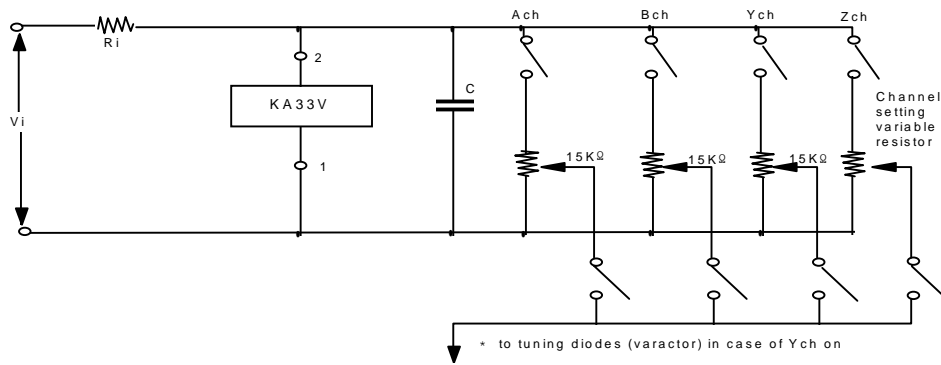
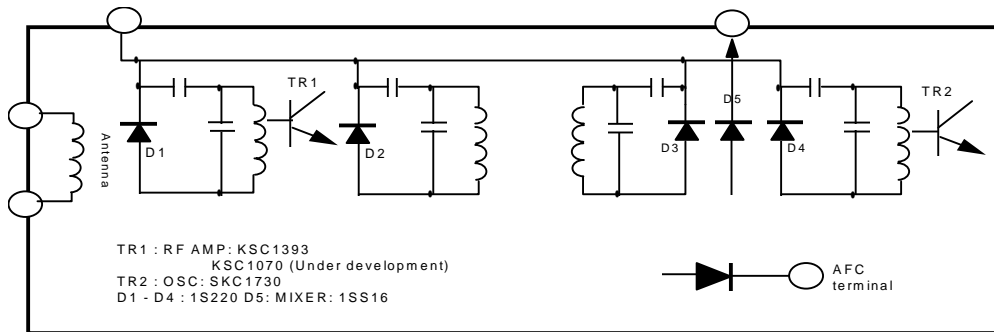


Figure 2. Measuring Circuit for Dynamic Resistance

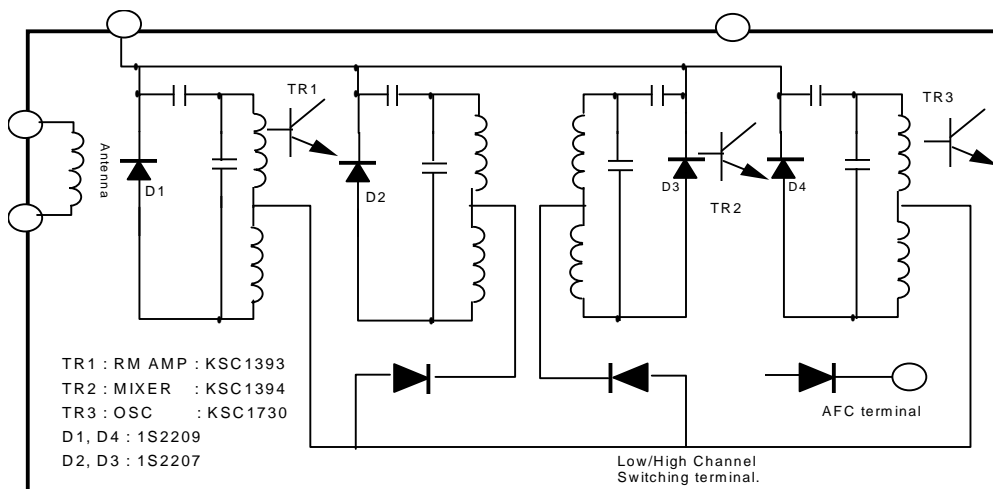
## Typical Application



### 1) UHF Tuner



### 2) VHF Tuner



# Power-temperature Derating Curve Typical Characteristic Curves

( $T_A = 25^\circ\text{C}$ )

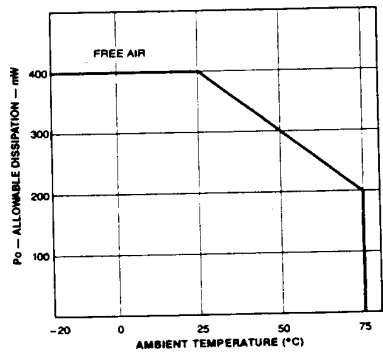


Figure 7. Allowable Dissipation vs. Ambient Temperature

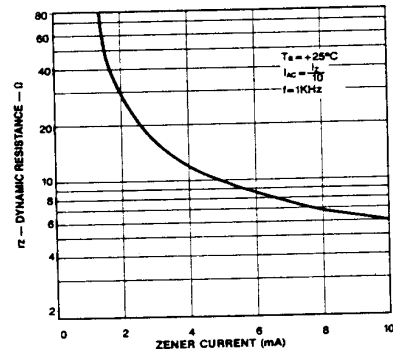


Figure 8. Dynamic Resistance vs. Zener Current

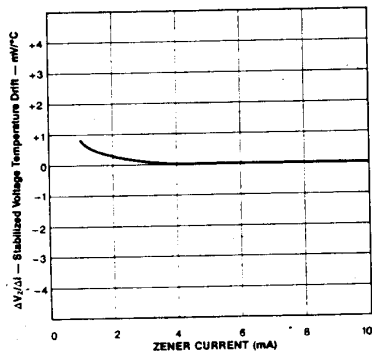


Figure 9. Stabilized Voltage Temperature Drift vs. Zener Current

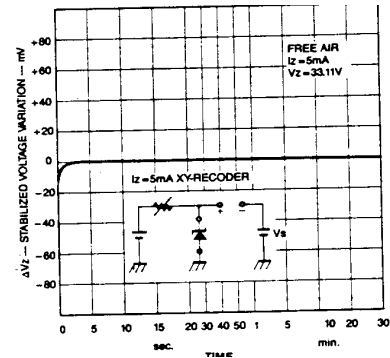


Figure 10. Stabilized Voltage Variation vs. Time

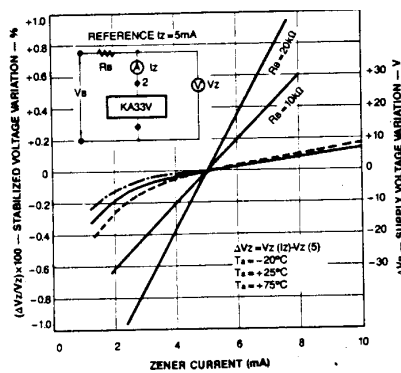


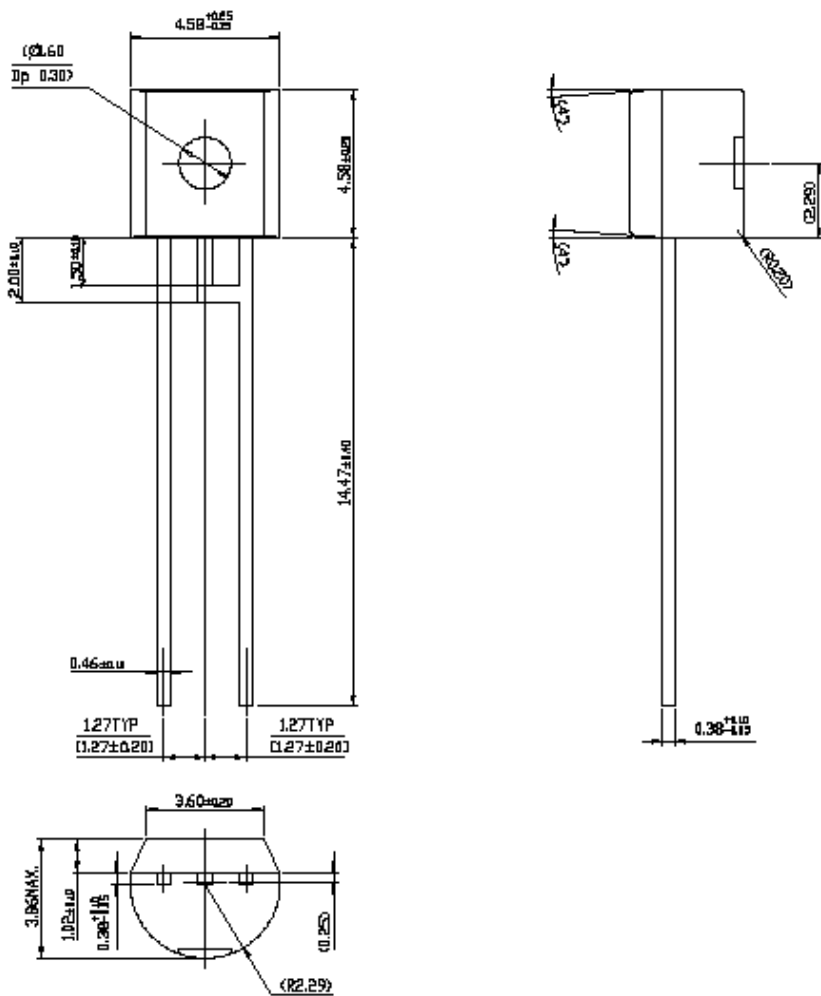
Figure 11. Stabilized Voltage Variation & Supply Voltage Variation vs. Zener Current

# Mechanical Dimensions

## Package

Dimensions in millimeters

### TO-92



**Ordering Information**

<b>Product Number</b>	<b>Package</b>	<b>Operating Temperature</b>
KA33V	TO-92	

**DISCLAIMER**

FAIRCHILD SEMICONDUCTOR RESERVES THE RIGHT TO MAKE CHANGES WITHOUT FURTHER NOTICE TO ANY PRODUCTS HEREIN TO IMPROVE RELIABILITY, FUNCTION OR DESIGN. FAIRCHILD DOES NOT ASSUME ANY LIABILITY ARISING OUT OF THE APPLICATION OR USE OF ANY PRODUCT OR CIRCUIT DESCRIBED HEREIN; NEITHER DOES IT CONVEY ANY LICENSE UNDER ITS PATENT RIGHTS, NOR THE RIGHTS OF OTHERS.

**LIFE SUPPORT POLICY**

FAIRCHILD'S PRODUCTS ARE NOT AUTHORIZED FOR USE AS CRITICAL COMPONENTS IN LIFE SUPPORT DEVICES OR SYSTEMS WITHOUT THE EXPRESS WRITTEN APPROVAL OF THE PRESIDENT OF FAIRCHILD SEMICONDUCTOR CORPORATION. As used herein:

1. Life support devices or systems are devices or systems which, (a) are intended for surgical implant into the body, or (b) support or sustain life, and (c) whose failure to perform when properly used in accordance with instructions for use provided in the labeling, can be reasonably expected to result in a significant injury of the user.
2. A critical component in any component of a life support device or system whose failure to perform can be reasonably expected to cause the failure of the life support device or system, or to affect its safety or effectiveness.



Home >> Find products >>

## KA33V

Voltage Stabilizer

### Contents

- [General description](#)
- [Features](#)
- [Product status/pricing/packaging](#)
- [Order Samples](#)
- [Qualification Support](#)

### General description

The KA33V is a monolithic integrated voltage stabilizer especially designed as voltage supplier for electronic tuners.

[back to top](#)


### Features

- Low Temperature Coefficient
- Low Dynamic Resistance
- Typical Reference Voltage of 33V

[back to top](#)

### Product status/pricing/packaging

**BUY**

Product	Product status	Pb-free Status	Pricing*	Package type	Leads	Packing method
KA33VTA	Full Production	 Full Production	\$0.158	<a href="#">TO-92</a>	3	AMMO

\* Fairchild 1,000 piece Budgetary Pricing

\*\* A sample button will appear if the part is available through Fairchild's on-line samples program. If there is no sample button, please contact a [Fairchild distributor](#) to obtain samples



Indicates product with Pb-free second-level interconnect. For more information [click here](#).

### Related Links

[Request samples](#)

[How to order products](#)

[Product Change Notices \(PCNs\)](#)

[Support](#)

[Sales support](#)

[Quality and reliability](#)

[Design center](#)

**BUY**

### Datasheet

[Download this datasheet](#)



[e-mail this datasheet](#)



### This page

[Print version](#)

[back to top](#)

### Qualification Support

Click on a product for detailed qualification data

Product
<a href="#">KA33VTA</a>

[back to top](#)

© 2007 Fairchild Semiconductor



[Products](#) | [Design Center](#) | [Support](#) | [Company News](#) | [Investors](#) | [My Fairchild](#) | [Contact Us](#) | [Site Index](#) | [Privacy Policy](#) | [Site Terms & Conditions](#) | [Standard Terms & Conditions](#)