

**REVISIONS**

LTR	DESCRIPTION	DATE (YR-MO-DA)	APPROVED
A	Add case outline U. Add vendor cage 18325. Add programming method B. Changes 4.3.1c and 4.3.1e. Editorial changes throughout.	89-03-01	W. Heckman
B	Add device type 02, editorial changes throughout. Add test circuit to figure 3. Add vendor CAGE 34649 for case outline U.	90-03-09	W. Heckman
C	Add symbols, definitions, and functional descriptions. Convert to one part - one part number format.	91-02-14	W. Heckman
D	Changes in accordance with NOR 5962-R231-92.	92-07-16	M. Poelking
E	Add device types 03 - 06. Add case outlines X, Y. Editorial changes throughout.	96-01-02	M. Poelking

Original first page of this drawing has been replaced

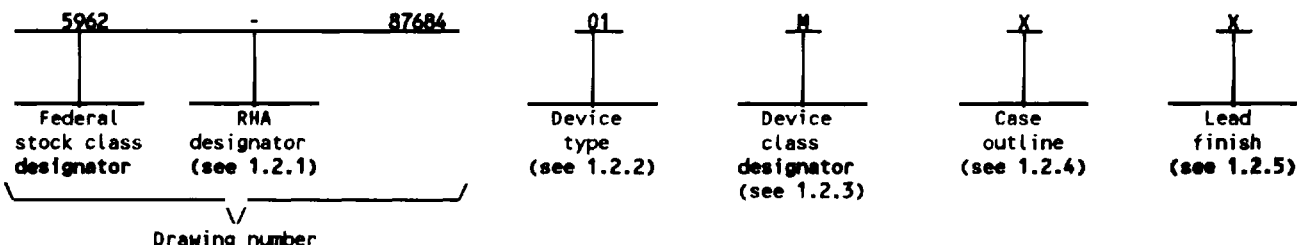
REV																				
SHEET																				
REV	E	E	E	E	E	E	E	E	E	E	E	E	E	E	E	E	E	E	E	E
SHEET	15	16	17	18	19	20	21	22	23	24	25	26	27	28	29	30	31	32		
REV STATUS OF SHEETS		REV		E	E	E	E	E	E	E	E	E	E	E	E	E	E	E	E	E
		SHEET		1	2	3	4	5	6	7	8	9	10	11	12	13	14			

<p align="center"><b>STANDARD MICROCIRCUIT DRAWING</b></p> <p>THIS DRAWING IS AVAILABLE FOR USE BY ALL DEPARTMENTS AND AGENCIES OF THE DEPARTMENT OF DEFENSE</p>	PMIC N/A	PREPARED BY Thomas M. Hess	DEFENSE ELECTRONICS SUPPLY CENTER DAYTON, OHIO 45444		
		CHECKED BY Thomas M. Hess	MICROCIRCUIT, DIGITAL, 8-BIT, CMOS MICROCONTROLLER WITH 4K BYTES EPROM MEMORY, MONOLITHIC SILICON		
		APPROVED BY Monica L. Poelking			
		DRAWING APPROVAL DATE 23 JULY 1987	SIZE <b>A</b>	CAGECODE 67268	5962-87684
		REVISION LEVEL E	SHEET 1 OF 32		

1. SCOPE

1.1 Scope. This drawing forms a part of a one part - one part number documentation system (see 6.6 herein). Three product assurance classes consisting of space application (device class V), military high reliability (device classes M and Q), and non-traditional military (device class N) with a choice of case outlines and lead finishes are available and are reflected in the Part or Identifying Number (PIN). Device class M microcircuits represent non-JAN class B microcircuits in accordance with 1.2.1 of MIL-STD-883, "Provisions for the use of MIL-STD-883 in conjunction with compliant non-JAN devices". For device class N, the user is cautioned to assure that the device is appropriate for the application environment. When available, a choice of Radiation Hardness Assurance (RHA) levels are reflected in the PIN.

1.2 PIN. The PIN shall be as shown in the following example:



1.2.1 RHA designator. Device class M RHA marked devices shall meet the MIL-I-38535 appendix A specified RHA levels and shall be marked with the appropriate RHA designator. Device classes N, Q, and V RHA marked devices shall meet the MIL-I-38535 specified RHA levels and shall be marked with the appropriate RHA designator. A dash (-) indicates a non-RHA device.

1.2.2 Device type(s). The device type(s) shall identify the circuit function as follows:

<u>Device type</u>	<u>Generic number</u>	<u>Circuit function</u>	<u>Temperature range</u>
01	87C51	8-bit microcontroller with 4k-bytes EPROM memory. (3.5 to 12MHz)	-55°C to 125°C
02	87C51-16	8-bit microcontroller with 4k-bytes EPROM memory. (3.5 to 16MHz)	-55°C to 125°C
03	87C51	8-bit microcontroller with one time programmable memory. (3.5 to 12MHz)	-40°C to 85°C
04	87C51-16	8-bit microcontroller with one time programmable memory. (3.5 to 16MHz)	-40°C to 85°C
05	87C51	8-bit microcontroller with one time programmable memory. (3.5 to 12MHz)	-55°C to 125°C
06	87C51-16	8-bit microcontroller with one time programmable memory. (3.5 to 16MHz)	-55°C to 125°C

1.2.3 Device class designator. The device class designator shall be a single letter identifying the product assurance level as follows:

<u>Device class</u>	<u>Device requirements documentation</u>
M	Vendor self-certification to the requirements for non-JAN class B microcircuits in accordance with 1.2.1 of MIL-STD-883
N	Certification and qualification to MIL-I-38535 with a non-traditional performance environment 1/
Q or V	Certification and qualification to MIL-I-38535

1/ Any device outside the traditional performance environment (i.e., an operating temperature range of -55°C to +125°C and which requires hermetic packaging).

STANDARD MICROCIRCUIT DRAWING DEFENSE ELECTRONICS SUPPLY CENTER DAYTON, OHIO 45444	SIZE <b>A</b>		5962-87684
		REVISION LEVEL E	SHEET 2

1.2.4 Case outline(s). The case outline(s) shall be as designated in MIL-STD-1835 and as follows:

<u>Outline letter</u>	<u>Descriptive designator</u>	<u>Terminals</u>	<u>Package style</u>
U	QCCC1-M44	44	leadless chip carrier 2/
Q	CDIP2-T40 or GDIP1-T40	40	dual-in-line package 2/
M	QCCC1-J44	44	J-leaded chip carrier 2/
X	See figure 1	40	plastic dip package
Y	See figure 1	44	plastic J-leaded chip carrier

1.2.5 Lead finish. The lead finish shall be as specified in MIL-STD-883 (see 3.1 herein) for class M or MIL-I-38535 for classes N, Q, and V. Finish letter "X" shall not be marked on the microcircuit or its packaging. The "X" designation is for use in specifications when lead finishes A, B, and C are considered acceptable and interchangeable without preference.

1.3 Absolute maximum ratings. 3/

Storage temperature range	-65°C to +150°C
Voltage on EA/V <sub>PP</sub> pin to V <sub>SS</sub>	0 V dc to +13.0 V dc
Voltage on any pin to V <sub>SS</sub>	-0.5 V dc to +6.5 V dc
Power dissipation (P <sub>D</sub> )	1.5 W
Maximum junction temperature (T <sub>J</sub> )	+200°C
Lead temperature (soldering, 10 seconds)	+300°C
Thermal resistance, junction-to-case (θ <sub>JC</sub> )	
Cases U, Q, and M	See MIL-STD-1835
Case X	15°C/W
Case Y	14°C/W

1.4 Recommended operating conditions.

Supply voltage (V <sub>CC</sub> )	5.0 V dc ±10%
Case operating temperature range (T <sub>C</sub> )	
Devices 01, 02, 05, 06	-55°C to +125°C
Devices 03, 04	-40°C to +85°C
Maximum input low voltage (except EA)	0.2V <sub>CC</sub> - 0.25 V
Maximum input low voltage (EA)	0.2V <sub>CC</sub> - 0.45 V
Minimum input high voltage (except XTAL1, RESET)	0.2V <sub>CC</sub> + 1.1 V
Minimum input high voltage (XTAL1 & RESET)	0.7V <sub>CC</sub> + 0.2 V

1.5 Digital logic testing for device classes M, Q, and V.

Fault coverage measurement of manufacturing logic tests (MIL-STD-883, test method 5012) . . . . . XX percent 4/

2. APPLICABLE DOCUMENTS

2.1 Government specification, standards, bulletin, and handbook. Unless otherwise specified, the following specification, standards, bulletin, and handbook of the issue listed in that issue of the Department of Defense Index of Specifications and Standards specified in the solicitation, form a part of this drawing to the extent specified herein.

- 2/ For device type 01 and 02, the lid shall be transparent to permit ultraviolet light erasure.
- 3/ Stresses above the absolute maximum rating may cause permanent damage to the device. Extended operation at the maximum levels may be degrade performance and affect reliability.
- 4/ Values will be added when they become available.

STANDARD MICROCIRCUIT DRAWING DEFENSE ELECTRONICS SUPPLY CENTER DAYTON, OHIO 45444	SIZE <b>A</b>		5962-87684
		REVISION LEVEL E	SHEET 3

**SPECIFICATION**

**MILITARY**

MIL-I-38535 - Integrated Circuits, Manufacturing, General Specification for.

**STANDARDS**

**MILITARY**

MIL-STD-883 - Test Methods and Procedures for Microelectronics.  
MIL-STD-973 - Configuration Management.  
MIL-STD-1835 - Microcircuit Case Outlines.

**BULLETIN**

**MILITARY**

MIL-BUL-103 - List of Standardized Military Drawings (SMD's).

**HANDBOOK**

**MILITARY**

MIL-HDBK-780 - Standardized Military Drawings.

(Copies of the specification, standards, bulletin, and handbook required by manufacturers in connection with specific acquisition functions should be obtained from the contracting activity or as directed by the contracting activity.)

2.2 Order of precedence. In the event of a conflict between the text of this drawing and the references cited herein, the text of this drawing shall take precedence.

**3. REQUIREMENTS**

3.1 Item requirements. The individual item requirements for device class M shall be in accordance with 1.2.1 of MIL-STD-883, "Provisions for the use of MIL-STD-883 in conjunction with compliant non-JAN devices" and as specified herein. The individual item requirements for device classes N, Q, and V shall be in accordance with MIL-I-38535, the device manufacturer's Quality Management (QM) plan, and as specified herein.

3.2 Design, construction, and physical dimensions. The design, construction, and physical dimensions shall be as specified in MIL-STD-883 (see 3.1 herein) for device class M and MIL-I-38535 for device classes N, Q, and V and herein.

3.2.1 Case outline(s). The case outline(s) shall be in accordance with 1.2.4 herein and figure 1.

3.2.2 Terminal connections. The terminal connections shall be as specified on figure 2.

3.2.3 Block diagram. The block diagram shall be as specified on figure 3.

3.2.4 Radiation exposure circuit. The radiation exposure circuit shall be as specified when available.

3.3 Electrical performance characteristics and postirradiation parameter limits. Unless otherwise specified herein, the electrical performance characteristics and postirradiation parameter limits are as specified in table I and shall apply over the full case operating temperature range.

3.4 Electrical test requirements. The electrical test requirements shall be the subgroups specified in table II. The electrical tests for each subgroup are defined in table I.

3.5 Marking. The part shall be marked with the PIN listed in 1.2 herein. Marking for device class M shall be in accordance with MIL-STD-883 (see 3.1 herein). In addition, the manufacturer's PIN may also be marked as listed in MIL-BUL-103. Marking for device classes N, Q, and V shall be in accordance with MIL-I-38535.

STANDARD MICROCIRCUIT DRAWING DEFENSE ELECTRONICS SUPPLY CENTER DAYTON, OHIO 45444	SIZE A		5962-87684
		REVISION LEVEL E	SHEET 4

**3.5.1 Certification/compliance mark.** The compliance mark for device class M shall be a "C" as required in MIL-STD-883 (see 3.1 herein). The certification mark for device classes N, Q, and V shall be a "QML" or "Q" as required in MIL-I-38535.

**3.6 Certificate of compliance.** For device class M, a certificate of compliance shall be required from a manufacturer in order to be listed as an approved source of supply in MIL-BUL-103 (see 6.7.2 herein). For device classes N, Q, and V, a certificate of compliance shall be required from a QML-38535 listed manufacturer in order to supply to the requirements of this drawing (see 6.7.1 herein). The certificate of compliance submitted to DESC-EC prior to listing as an approved source of supply for this drawing shall affirm that the manufacturer's product meets, for device class M, the requirements of MIL-STD-883 (see 3.1 herein), or for device classes N, Q, and V, the requirements of MIL-I-38535 and the requirements herein.

**3.7 Certificate of conformance.** A certificate of conformance as required for device class M in MIL-STD-883 (see 3.1 herein) or for device classes N, Q, and V in MIL-I-38535 shall be provided with each lot of microcircuits delivered to this drawing.

**3.8 Notification of change for device class M.** For device class M, notification to DESC-EC of change of product (see 6.2 herein) involving devices acquired to this drawing is required for any change as defined in MIL-STD-973.

**3.9 Verification and review for device class M.** For device class M, DESC, DESC's agent, and the acquiring activity retain the option to review the manufacturer's facility and applicable required documentation. Offshore documentation shall be made available onshore at the option of the reviewer.

**3.10 Microcircuit group assignment for device class M.** Device class M devices covered by this drawing shall be in microcircuit group number 105 (see MIL-I-38535, appendix A).

**3.11 Processing EPROMS.** All testing requirements and quality assurance provisions herein shall be satisfied by the manufacturer prior to delivery.

**3.11.1 Erasure of EPROMS.** When specified, devices shall be erased in accordance with the procedures and characteristics specified in 4.5.

**3.11.2 Programmability of EPROMS.** When specified, devices shall be programmed to the specified pattern using the procedures and characteristics specified in 4.6 and table III.

**3.11.3 Verification of erasure of programmability of EPROMS.** When specified, devices shall be verified as either programmed to the specified pattern or erased. As a minimum, verification shall consist of performing a functional test (subgroup 7) to verify that all bits are in the proper state. Any bit that does not verify to be in the proper state shall constitute a device failure, and shall be removed from the lot.

STANDARD MICROCIRCUIT DRAWING DEFENSE ELECTRONICS SUPPLY CENTER DAYTON, OHIO 45444	SIZE A		5962-87684
		REVISION LEVEL E	SHEET 5

TABLE I. Electrical performance characteristics.

Test	Symbol	Conditions 1/ $4.5\text{ V} \leq V_{CC} \leq 5.5\text{ V}$ unless otherwise specified		Group A sub- groups	Device type	Limits		Unit
						Min	Max	
Input low voltage (except EA)	$V_{IL}$			1,2,3	All	0 2/	$0.2V_{CC} - 0.25$	V
Input low voltage to EA	$V_{IL1}$			1,2,3	All	0 2/	$0.2V_{CC} - 0.45$	V
Input high voltage (except XTAL1, RESET)	$V_{IH}$			1,2,3	All	$0.2V_{CC} + 1.1$	$V_{CC} - 0.5$ 2/	V
Input high voltage (XTAL1, RESET)	$V_{IH1}$			1,2,3	All	$0.7V_{CC} + 0.2$	$V_{CC} - 0.5$ 2/	V
Output low voltage (Ports 1,2,3)	$V_{OL}$	$I_{OL} = 1.6\text{ mA}$	$V_{IN} = V_{IH}\text{ min, } V_{IL}\text{ max, } V_{CC} = 4.5\text{ V}$	1,2,3	All		0.45	V
Output low voltage Port 0, ALE, PSEN	$V_{OL1}$	$I_{OL} = 3.2\text{ mA}$		1,2,3	All		0.45	V
Output high voltage (Ports 1,2,3)	$V_{OH}$	$I_{OH} = -60\text{ }\mu\text{A}$		1,2,3	All	2.4		V
		$I_{OH} = -10\text{ }\mu\text{A}$				$0.90V_{CC}$		
Output high voltage port 0 in external bus mode, ALE, PSEN	$V_{OH1}$	$I_{OH} = -800\text{ }\mu\text{A}$	1,2,3	All	2.4		V	
		$I_{OH} = -80\text{ }\mu\text{A}$			$0.90V_{CC}$			
Logic 0 input current, ports 1,2,3	$I_{IL}$	$V_{IN} = 0.45\text{ V}$		1,2,3	All		-75	$\mu\text{A}$
Logic 1 to 0 transition current, ports 1,2,3	$I_{TL}$						-750	
Input leakage current port 0	$I_{LI}$	$V_{IN} = V_{IH}\text{ min}$				0	10	
		$V_{IN} = V_{IL}\text{ max}$				0	-10	
Reset pull down resistor	$R_{RST}$			1,2,3	All	50	300	$k\Omega$

See footnotes at end of table.

STANDARD MICROCIRCUIT DRAWING DEFENSE ELECTRONICS SUPPLY CENTER DAYTON, OHIO 45444	SIZE <b>A</b>		5962-87684
		REVISION LEVEL E	SHEET 6

TABLE I. Electrical performance characteristics - Continued.

Test	Symbol	Conditions 1/ 4.5 V ≤ V <sub>CC</sub> ≤ 5.5 V unless otherwise specified	Group A sub- groups	Device type	Limits		Unit
					Min	Max	
Pin capacitance	C <sub>I0</sub>	See 4.4.1c	4	All		25	pF
Supply current: Running at 12 MHz Idle at 12MHz 4/ Power down	I <sub>CC1</sub>	3/	1,2,3	01,03 05		35 6 75	mA mA μA
Supply current: Running at 16MHz Idle at 16MHz 4/ Power down	I <sub>CC2</sub>	3/	1,2,3	02,04 06		40 7 75	mA mA μA
Functional Test		See 4.4.1b	7,8	All			

EXTERNAL PROGRAM AND DATA MEMORY CHARACTERISTICS

Oscillator frequency	1/t <sub>CLCL</sub>	See figure 3 5/ 6/	9,10,11	01,03 05	3.5	12	MHz
			9,10,11	02,04 06	3.5	16	
			9,10,11	All	3.5	12	
ALE pulse width	t <sub>LHLL</sub>		9,10,11	01,03 05	112		ns
			9,10,11	02,04 06	68		
			9,10,11	All	2t <sub>CLCL</sub> -55		
Address valid to ALE Low	t <sub>AVLL</sub>		9,10,11	01,03 05	13		ns
			9,10,11	02,04 06	5		
			9,10,11	All	7/ t <sub>CLCL</sub> -70		
Address hold after ALE Low	t <sub>LLAX</sub>		9,10,11	01,03 05	33		
			9,10,11	02,04 06	12		
			9,10,11	All	t <sub>CLCL</sub> -50		

See footnotes at end of table.

STANDARD MICROCIRCUIT DRAWING DEFENSE ELECTRONICS SUPPLY CENTER DAYTON, OHIO 45444	SIZE <b>A</b>		5962-87684
		REVISION LEVEL E	SHEET 7

TABLE I. Electrical performance characteristics - Continued.

Test	Symbol	Conditions 1/ 4.5 V ≤ V <sub>CC</sub> ≤ 5.5 V unless otherwise specified	Group A sub- groups	Device type	Limits		Unit
					Min	Max	
ALE Low to valid instr. in	t <sub>LLIV</sub>	See figure 3 5/ 6/	9,10,11	01,03 05		218	ns
			9,10,11	02,04 06		132	
			9,10,11	All		4t <sub>CLCL</sub> 115	
ALE Low to PSEN Low	t <sub>LLPL</sub>		9,10,11	01,03 05	28		ns
			9,10,11	02,04 06	7		
			9,10,11	All	t <sub>CLCL</sub> 55		
PSEN pulse width	t <sub>PLPH</sub>		9,10,11	01,03 05	190		ns
			9,10,11	02,04 06	125		
			9,10,11	All	3t <sub>CLCL</sub> 60		
PSEN Low to valid instr. in	t <sub>PLIV</sub>		9,10,11	01,03 05		130	ns
			9,10,11	02,04 06		65	
			9,10,11	All		3t <sub>CLCL</sub> 120	
Input instr. hold after PSEN	t <sub>PXIX</sub>		9,10,11	All	0		
Input instr. float after PSEN	t <sub>PXIZ</sub>		9,10,11	01,03 05		58	ns
			9,10,11	02,04 06		37	
			9,10,11	All		t <sub>CLCL</sub> 55	

See footnotes at end of table.

STANDARD MICROCIRCUIT DRAWING DEFENSE ELECTRONICS SUPPLY CENTER DAYTON, OHIO 45444	SIZE <b>A</b>		<b>5962-87684</b>
		REVISION LEVEL E	SHEET 8



TABLE I. Electrical performance characteristics - Continued.

Test	Symbol	Conditions 1/ $4.5\text{ V} \leq V_{CC} \leq 5.5\text{ V}$ unless otherwise specified	Group A sub- groups	Device type	Limits		Unit
					Min	Max	
Address to valid instr. in	t <sub>AVIV</sub>	See figure 3 5/ 6/	9,10,11	01,03 05		312	ns
			9,10,11	02,04 06		188	
			9,10,11	All		5t <sub>CLCL</sub> -120	
$\overline{\text{PSEN}}$ low to address float	t <sub>PLAZ</sub>		9,10,11	All		25	
$\overline{\text{RD}}$ pulse width	t <sub>RLRH</sub>		9,10,11	01,03 05	400		ns
			9,10,11	02,04 06	270		
			9,10,11	All	6t <sub>CLCL</sub> -100		
$\overline{\text{WR}}$ pulse width	t <sub>WLWH</sub>	See figure 3 5/ 6/	9,10,11	01,03 05	400		ns
			9,10,11	02,04 06	270		
			9,10,11	All	6t <sub>CLCL</sub> -100		
$\overline{\text{RD}}$ Low to valid Data in	t <sub>RLDV</sub>		9,10,11	01,03 05		232	ns
			9,10,11	02,04 06		123	
			9,10,11	All		5t <sub>CLCL</sub> -185	
Data hold after $\overline{\text{RD}}$	t <sub>RHDX</sub>		9,10,11	All	0		ns
Data float after $\overline{\text{RD}}$	t <sub>RHDZ</sub>		9,10,11	01,03 05		82	ns
			9,10,11	02,04 06		38	
			9,10,11	All		2t <sub>CLCL</sub> -85	

See footnotes at end of table.

STANDARD MICROCIRCUIT DRAWING DEFENSE ELECTRONICS SUPPLY CENTER DAYTON, OHIO 45444	SIZE <b>A</b>		5962-87684
		REVISION LEVEL E	SHEET 9

TABLE I. Electrical performance characteristics - Continued.

Test	Symbol	Conditions 1/ $4.5\text{ V} \leq V_{CC} \leq 5.5\text{ V}$ unless otherwise specified	Group A sub- groups	Device type	Limits		Unit
					Min	Max	
ALE Low to valid data in	$t_{LLDV}$	See figure 3 5/ 6/	9,10,11	01,03 05		496	ns
			9,10,11	02,04 06		320	
			9,10,11	All		$8t_{CLCL}$ -170	
Address to valid data in	$t_{AVDV}$		9,10,11	01,03 05		565	ns
			9,10,11	02,04 06		370	
			9,10,11	All		$9t_{CLCL}$ -185	
ALE Low to $\overline{RD}$ or $\overline{WR}$ Low	$t_{LLWL}$		9,10,11	01,03 05	185	315	ns
			9,10,11	02,04 06	120	250	
			9,10,11	All	$3t_{CLCL}$ -65	$3t_{CLCL}$ +65	
Address to $\overline{RD}$ or $\overline{WR}$ low	$t_{AVWL}$		9,10,11	01,03 05	188		ns
			9,10,11	02,04 06	102		
			9,10,11	All	$4t_{CLCL}$ -145		
Data valid to $\overline{WR}$ transition	$t_{QVWX}$		9,10,11	01,03 05	8		ns
			9,10,11	02,04 06	5		
			9,10,11	All	1/ $t_{CLCL}$ -75		

See footnotes at end of table.

STANDARD MICROCIRCUIT DRAWING DEFENSE ELECTRONICS SUPPLY CENTER DAYTON, OHIO 45444	SIZE <b>A</b>		5962-87684
		REVISION LEVEL E	SHEET 10

TABLE I. Electrical performance characteristics - Continued.

Test	Symbol	Conditions 1/ $4.5\text{ V} \leq V_{CC} \leq 5.5\text{ V}$ unless otherwise specified	Group A sub- groups	Device type	Limits		Unit	
					Min	Max		
Data hold after $\overline{\text{WR}}$	$t_{\text{WHQX}}$	See figure 3 5/ 6/	9, 10, 11	01, 03 05	18		ns	
				02, 04 06	5			
			9, 10, 11	All	$t_{\text{CLCL}}$ -65			
$\overline{\text{RD}}$ Low to address float	$t_{\text{RLAZ}}$		9, 10, 11	All		0	ns	
$\overline{\text{RD}}$ or $\overline{\text{WR}}$ high to ALE high	$t_{\text{WHLH}}$		9, 10, 11	01, 03 05	18	148	ns	
				02, 04 06	5	127		
			9, 10, 11	All	$t_{\text{CLCL}}$ -65		$t_{\text{CLCL}}$ +65	
Serial port clock cycle time	$t_{\text{XLXL}}$	See figure 3 4/ 5/ 6/	9, 10, 11	01, 03 05	1000 8/		ns	
				02, 04 06	740 8/			
			9, 10, 11	All	8/ $12t_{\text{CLCL}}$			
Output data setup to clock rising edge	$t_{\text{QVXH}}$		9, 10, 11	01, 03 05	700		ns	
				02, 04 06	484			
			9, 10, 11	All	$10t_{\text{CLCL}}$ -133			
Output data hold after clock rising edge	$t_{\text{XHGX}}$		9, 10, 11	01, 03 05	50		ns	
				02, 04 06	6			
			9, 10, 11	All	$2t_{\text{CLCL}}$ -117			
Input data hold after clock rising edge	$t_{\text{XHDX}}$		9, 10, 11	All	0		ns	

See footnotes at end of table.

STANDARD MICROCIRCUIT DRAWING DEFENSE ELECTRONICS SUPPLY CENTER DAYTON, OHIO 45444	SIZE <b>A</b>		5962-87684
		REVISION LEVEL E	SHEET 11

TABLE I. Electrical performance characteristics - Continued.

Test	Symbol	Conditions 1/ $4.5\text{ V} \leq V_{CC} \leq 5.5\text{ V}$ unless otherwise specified	Group A sub- groups	Device type	Limits		Unit
					Min	Max	
Clock rising edge to input data valid	$t_{XHDV}$	See figure 3 2/ 4/ 5/	9,10,11	01,03 05	700		ns
			9,10,11	02,04 06	484		
			9,10,11	ALL	$10t_{CLCL}$ 33		
High time	$t_{CHCX}$		9,10,11	ALL	20		ns
Low time	$t_{CLCX}$		9,10,11	ALL	20		ns
Rise time	$t_{CLCH}$		9,10,11	ALL		20	ns
Fall time	$t_{CHCL}$		9,10,11	ALL		20	ns

- 1/ All testing to be performed using worst-case test conditions unless otherwise specified. The case operating temperature of each device shall be as specified in paragraph 1.4.
- 2/ Guaranteed, if not tested, to the limits specified.
- 3/  $I_{CC}$  is measured with all output pins disconnected: XTAL1 driven with  $t_{CLCH}$ ;  $t_{CHCL} = 5\text{ ns}$ ,  $V_{IL} = V_{SS} + 0.5\text{ V}$ ,  $V_{IH} = V_{CC} - 0.5\text{ V}$  measured with EA and RESET connected to  $V_{CC}$ . "Idle current" is measured with EA and RESET connected to  $V_{SS}$ . "Power down" current is measured with EA connected to  $V_{SS}$  and RESET connected to  $V_{SS}$ .
- 4/ Due to test equipment limitations, actual tested values may differ from those specified, but specified limits are guaranteed.
- 5/ All devices to be tested at 16 MHz only, but guaranteed across the specified operating frequency. Devices not meeting the limits of the 16 MHz devices may be retested to be supplied at the slower 12 MHz speed grade.
- 6/ Parametric values are based on a 12 MHz oscillator for device type 01, a 16 MHz oscillator for device type 02 and a variable oscillator for all other devices.
- 7/ When using timing equations, the minimum value shall not be less than 5 ns.
- 8/ Parametric values are typical values rather than minimum values.

STANDARD  
MICROCIRCUIT DRAWING  
DEFENSE ELECTRONICS SUPPLY CENTER  
DAYTON, OHIO 45444

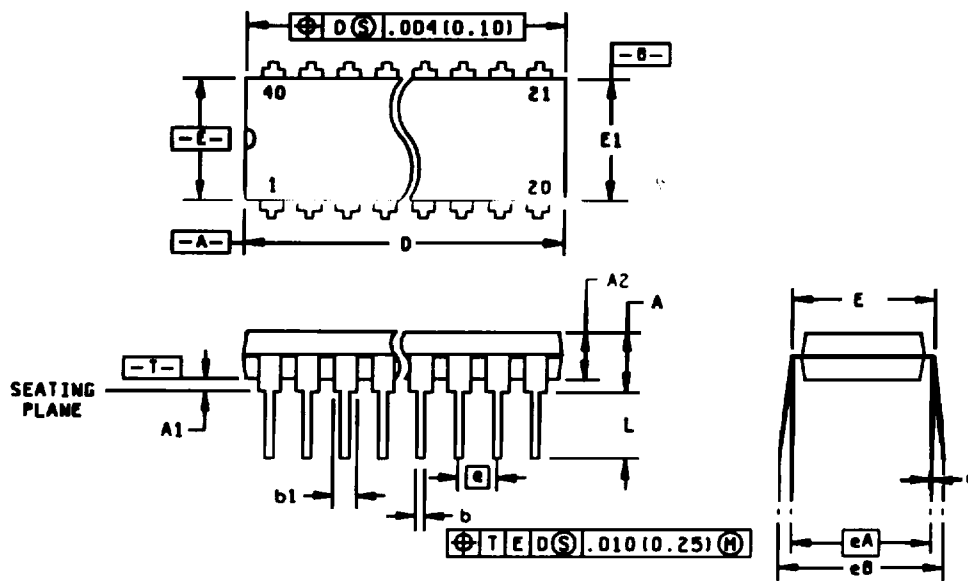
SIZE  
A

5962-87634

REVISION LEVEL  
E

SHEET  
12

Case X



Symbol	Millimeters		Inches	
	Min	Max	Min	Max
A	4.19	5.08	0.165	0.200
A1	0.51	1.14	0.020	0.045
A2	3.68	3.94	0.145	0.155
b	0.43	0.56	0.017	0.022
b1	1.14	1.63	0.045	0.064
c	0.25	0.38	0.010	0.015
D	51.94	52.45	2.045	2.065
e	2.54 BSC		0.100 BSC	
E	15.24	15.75	0.600	0.620
E1	13.84	14.10	0.545	0.555
eA	15.24 bsc		0.600 bsc	
eB	15.24	17.65	0.600	0.695
L	3.05	3.51	0.120	0.138

FIGURE 1. Case outline

STANDARD  
MICROCIRCUIT DRAWING  
DEFENSE ELECTRONICS SUPPLY CENTER  
DAYTON, OHIO 45444

SIZE  
**A**

5962-87684

REVISION LEVEL  
E

SHEET  
13

Case Y

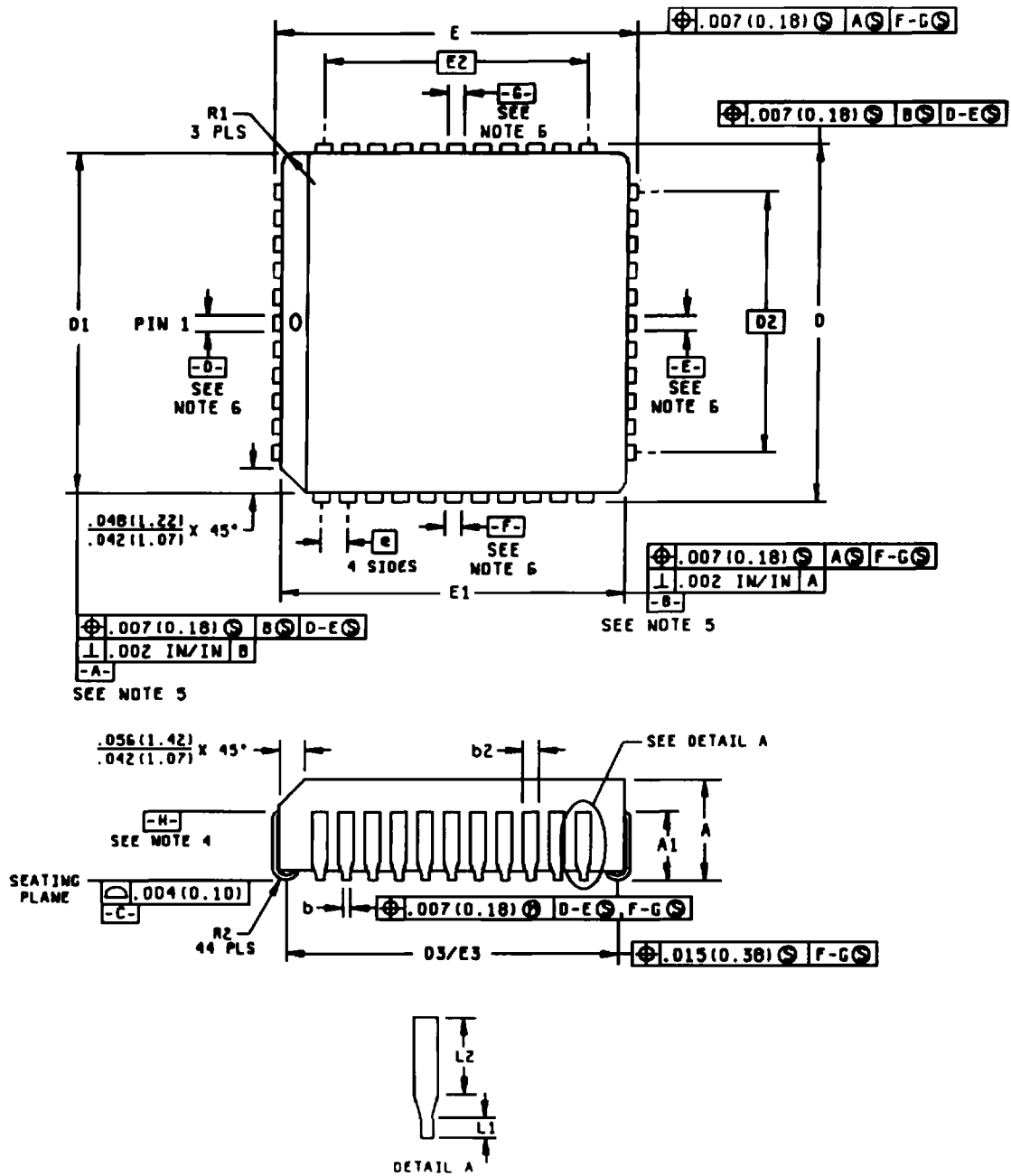


FIGURE 1. Case outline - Continued

STANDARD  
MICROCIRCUIT DRAWING  
DEFENSE ELECTRONICS SUPPLY CENTER  
DAYTON, OHIO 45444

SIZE  
**A**

5962-87684

REVISION LEVEL  
E

SHEET  
14

Case Y

Symbol	Millimeters		Inches	
	Min	Max	Min	Max
A	4.19	4.57	0.165	0.180
A1	2.29	3.05	0.090	0.120
b	0.33	0.53	0.013	0.021
b2	0.66	0.81	0.026	0.032
D	17.40	17.65	0.685	0.695
D1	16.51	16.66	0.650	0.656
D2	12.70		0.500	
D3/E3	14.99	16.00	0.590	0.630
E	17.40	17.65	0.685	0.695
E1	16.51	16.66	0.650	0.656
E2	12.70		0.500	
e	1.27		0.050	
L1	0.64		0.025	
L2	1.52		0.060	
R1		0.25		0.010
R2	0.64	1.14	0.025	0.045

FIGURE 1. Case outline - Continued

STANDARD MICROCIRCUIT DRAWING DEFENSE ELECTRONICS SUPPLY CENTER DAYTON, OHIO 45444	SIZE <b>A</b>		5962-87684
		REVISION LEVEL E	SHEET 15

Case Q, X

Terminal number	Terminal symbol	Terminal number	Terminal symbol
1	P1.0	21	P2.0(A8)
2	P1.1	22	P2.1(A9)
3	P1.2	23	P2.2(A10)
4	P1.3	24	P2.3(A11)
5	P1.4	25	P2.4(A12)
6	P1.5	26	P2.5(A13)
7	P1.6	27	P2.6(A14)
8	P1.7	28	P2.7(A15)
9	RESET	29	PSEN
10	(RXD)P3.0	30	ALS/PROG
11	(TXD)P3.1	31	EA/V <sub>PP</sub>
12	(INT0)P3.2	32	P0.7(AD7)
13	(INT1)P3.3	33	P0.6(AD6)
14	(T0)P3.4	34	P0.5(AD5)
15	(T1)P3.5	35	P0.4(AD4)
16	(WR)P3.6	36	P0.3(AD3)
17	(RD)P3.7	37	P0.2(AD2)
18	XTAL2	38	P0.1(AD1)
19	XTAL1	39	P0.0(AD0)
20	V <sub>SS</sub>	40	V <sub>CC</sub>

FIGURE 2. Terminal connections.

STANDARD MICROCIRCUIT DRAWING DEFENSE ELECTRONICS SUPPLY CENTER DAYTON, OHIO 45444	SIZE <b>A</b>		5962-87684
		REVISION LEVEL E	SHEET 16



Case U, M, Y

Terminal number	Terminal symbol	Terminal number	Terminal symbol
1	NC	23	NC
2	P1.0	24	P2.0(A8)
3	P1.1	25	P2.1(A10)
4	P1.2	26	P2.2(A10)
5	P1.3	27	P2.3(A11)
6	P1.4	28	P2.4(A12)
7	P1.5	29	P2.5(A13)
8	P1.6	30	P2.6(A14)
9	P1.7	31	P2.7(A15)
10	RESET	32	PSEN
11	(RXD)P3.0	33	AL/PRO
12	NC	34	NC
13	(TXD)P3.1	35	EA/V <sub>pp</sub>
14	(INT0)P3.2	36	P0.7(AD7)
15	(INT1)P3.3	37	P0.6(AD6)
16	(T0)P3.4	38	P0.5(AD5)
17	(T1)P3.5	39	P0.4(AD4)
18	(WR)P3.6	40	P0.3(AD3)
19	(RD)P3.7	41	P0.2(AD2)
20	XTAL2	42	P0.1(AD1)
21	XTAL1	43	P0.0(AD0)
22	V <sub>SS</sub>	44	V <sub>CC</sub>

FIGURE 2. Terminal connections. - Continued

STANDARD MICROCIRCUIT DRAWING DEFENSE ELECTRONICS SUPPLY CENTER DAYTON, OHIO 45444	SIZE <b>A</b>		5962-87684
		REVISION LEVEL E	SHEET <b>17</b>

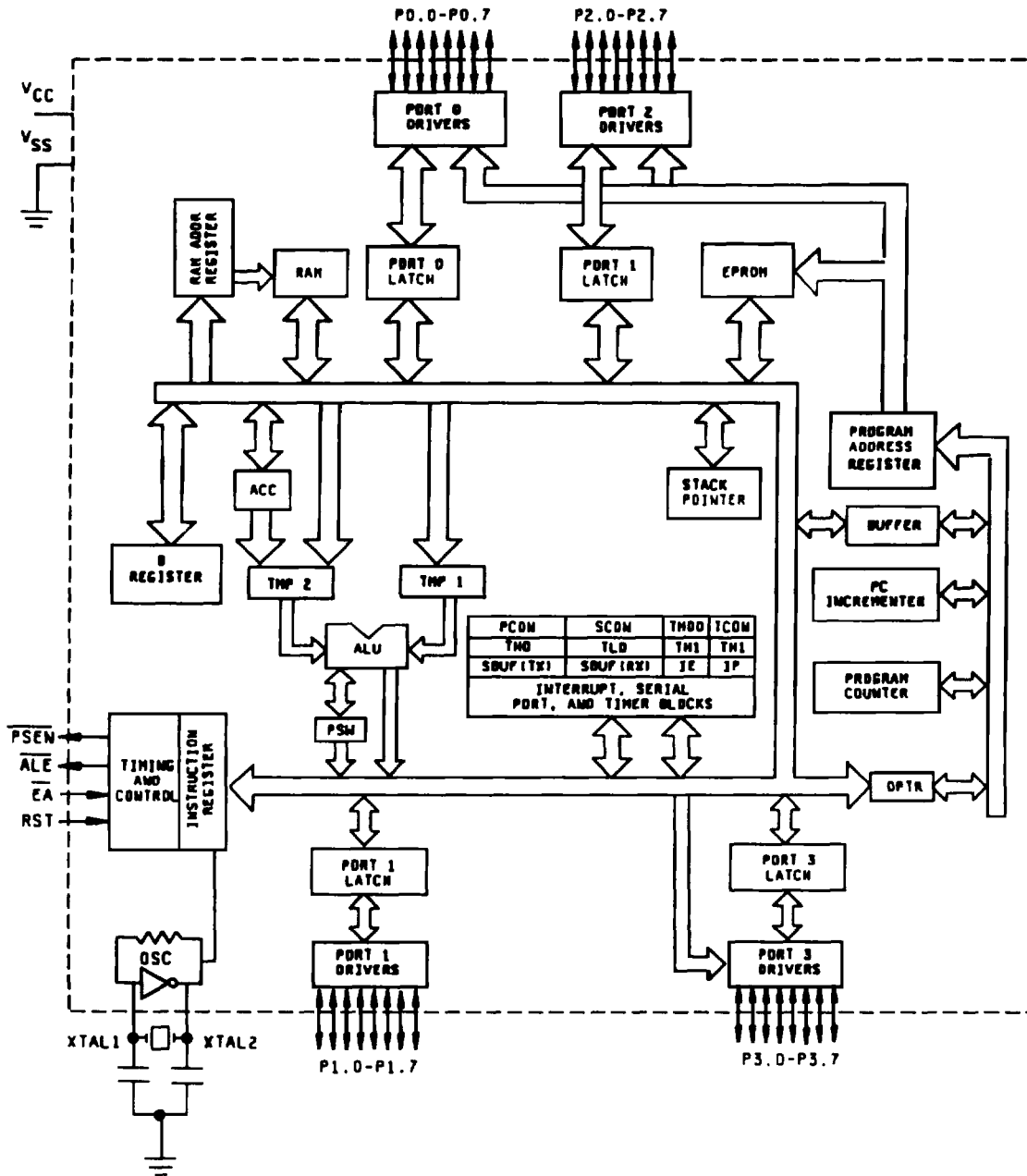


FIGURE 3. Block diagram.

STANDARD  
MICROCIRCUIT DRAWING  
DEFENSE ELECTRONICS SUPPLY CENTER  
DAYTON, OHIO 45444

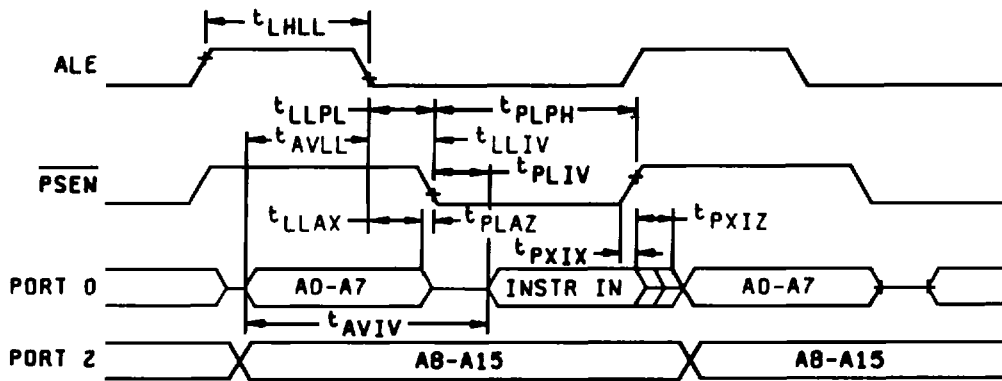
SIZE  
A

5962-87684

REVISION LEVEL  
E

SHEET  
18

EXTERNAL PROGRAM MEMORY READ CYCLE



EXTERNAL DATA MEMORY READ CYCLE

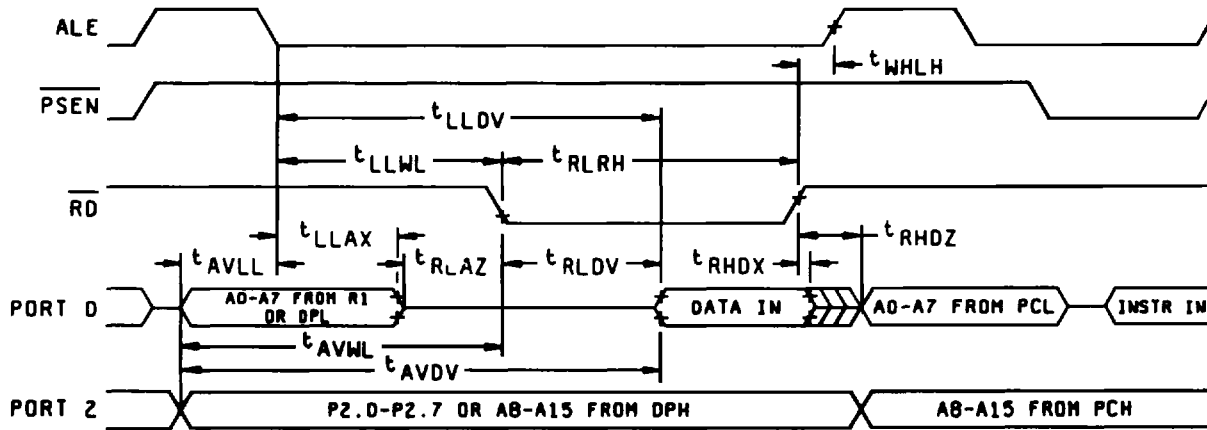


FIGURE 4. Timing waveforms.

STANDARD  
MICROCIRCUIT DRAWING  
DEFENSE ELECTRONICS SUPPLY CENTER  
DAYTON, OHIO 45444

SIZE  
A

5962-87684

REVISION LEVEL  
E

SHEET  
19

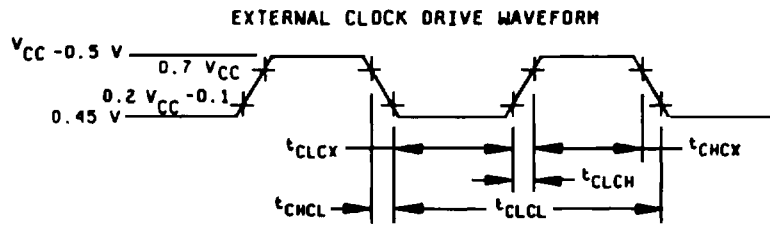
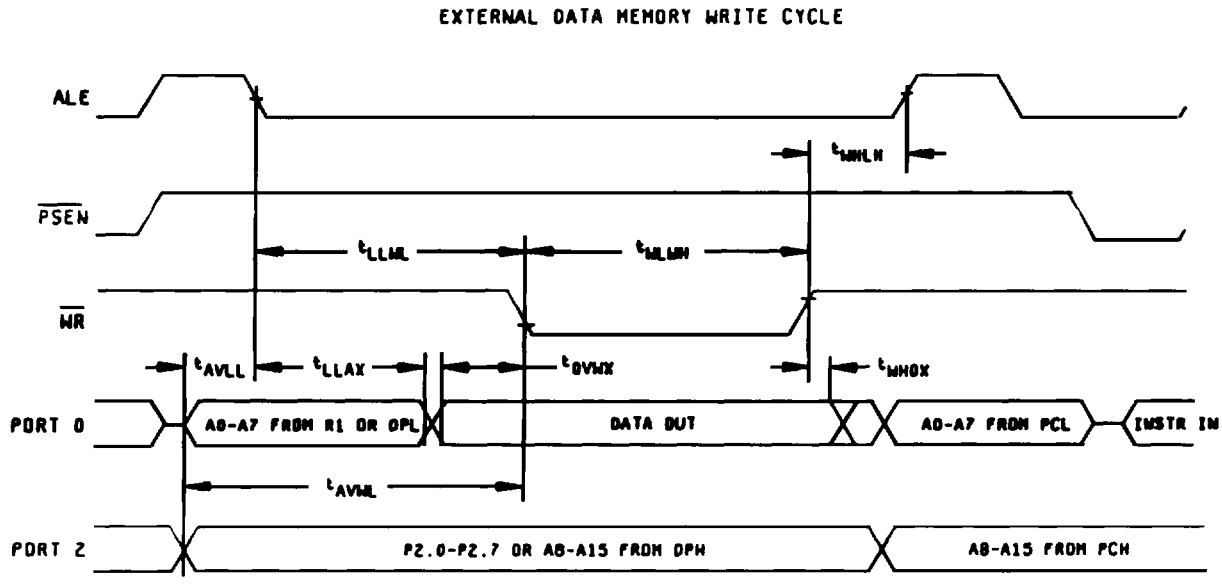


FIGURE 4. Timing waveforms. - Continued

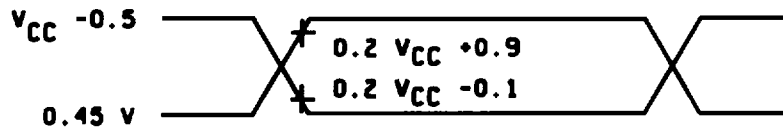
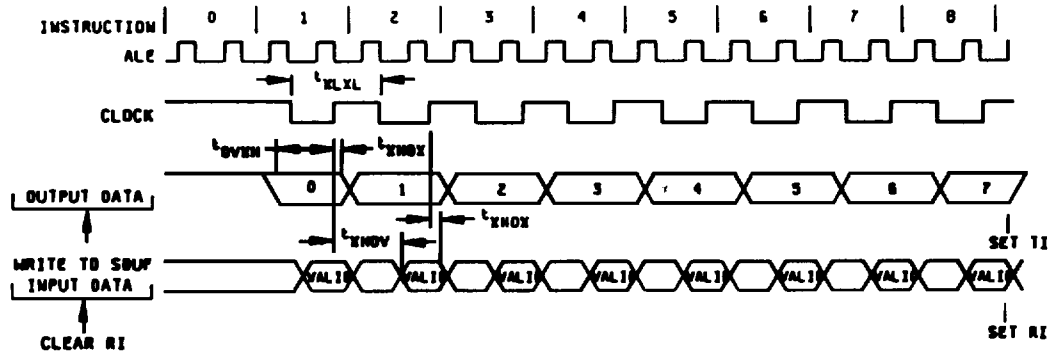
STANDARD  
MICROCIRCUIT DRAWING  
DEFENSE ELECTRONICS SUPPLY CENTER  
DAYTON, OHIO 45444

SIZE  
**A**

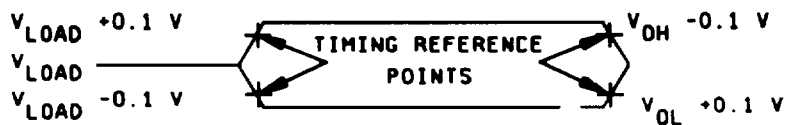
5962-87684

REVISION LEVEL  
E

SHEET  
20



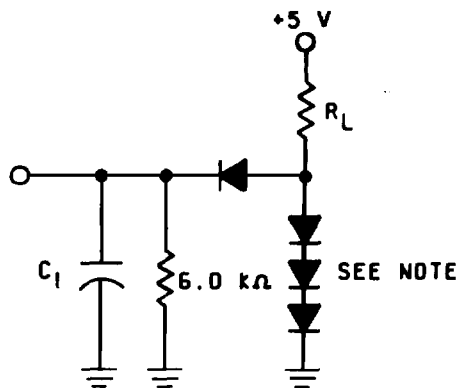
AC inputs during testing are driven at  $V_{CC} - 0.5 V$  for a logic '1' and  $0.45 V$  for a logic '0'. Timing measurements are made at  $V_{IH}$  minimum for a logic '1' and  $V_{IL}$  maximum for a logic '0'.



For timing purposes, a port pin ceases floating when a 100 mV change from load voltage occurs and begins floating when a 100 mV change from loaded  $V_{OH}$  or  $V_{OL}$  level occurs.  $I_{OL}$  or  $I_{OH} \geq \pm 20 mA$ .

FIGURE 4. Timing waveforms. - Continued

STANDARD MICROCIRCUIT DRAWING DEFENSE ELECTRONICS SUPPLY CENTER DAYTON, OHIO 45444	SIZE <b>A</b>		5962-87684
		REVISION LEVEL E	SHEET 21



Output	$R_L$	$C_L$
Port 0, ALE, PSEN	1.2 k $\Omega$	100pF
All other outputs	2.4 k $\Omega$	80 pF

Notes:

1. All diodes are 1n914 or equivalent.
2.  $C_L$  includes tester and fixture capacitance.

FIGURE 4. Timing waveforms. - Continued

STANDARD  
MICROCIRCUIT DRAWING  
DEFENSE ELECTRONICS SUPPLY CENTER  
DAYTON, OHIO 45444

SIZE  
**A**

5962-87684

REVISION LEVEL  
E

SHEET  
22

4. QUALITY ASSURANCE PROVISIONS

4.1 Sampling and inspection. For device class M, sampling and inspection procedures shall be in accordance with MIL-STD-883 (see 3.1 herein). For device classes N, Q, and V, sampling and inspection procedures shall be in accordance with MIL-I-38535 and the device manufacturer's QM plan.

4.2 Screening. For device class M, screening shall be in accordance with method 5004 of MIL-STD-883, and shall be conducted on all devices prior to quality conformance inspection. For device classes N, Q, and V, screening shall be in accordance with MIL-I-38535, and shall be conducted on all devices prior to qualification and technology conformance inspection.

4.2.1 Additional criteria for device class M.

a. Burn-in test, method 1015 of MIL-STD-883.

- (1) Test condition A, B, C or D. The test circuit shall be maintained by the manufacturer under document revision level control and shall be made available to the preparing or acquiring activity upon request. The test circuit shall specify the inputs, outputs, biases, and power dissipation, as applicable, in accordance with the intent specified in test method 1015.
- (2)  $T_A = +125^\circ\text{C}$ , minimum.

b. Interim and final electrical test parameters shall be as specified in table II herein.

c. A data retention stress test shall be included as part of the screening procedure and shall consist of the following steps:

Margin test method A.

- (1) Program greater than 95 percent of the bit locations, including the slowest programming cell (see 3.12.2). The remaining cells shall provide a worst case speed pattern.
- (2) Bake, unbiased, for 72 hours at  $140^\circ\text{C}$  to screen for data retention lifetime.
- (3) Perform a margin test using  $V_m = 5.9\text{ V}$  at  $25^\circ\text{C}$  using loose timing (i.e.,  $T_{ACC} > 1\ \mu\text{s}$ ).
- (4) Perform dynamic burn-in (see 4.2.1a).
- (5) Margin at  $V_m = 5.9\text{ V}$ .
- (6) Perform electrical tests (see 4.2).
- (7) Erase (see 3.12.1), except devices submitted for groups A, B,C, and D testing.
- (8) Verify erasure (see 3.12.3).

Margin test method B.

- (1) Program at  $+25^\circ\text{C}$  100 percent of the bits.
- (2) Bake, unbiased, for 24 hours at  $+250^\circ\text{C}$ .
- (3) Perform margin test at  $V_m = 5.9\text{ V}$ .
- (4) Erase (see 3.12.1).
- (5) Perform interim electrical tests in accordance with table IIA.
- (6) For device types 01, 02 Program 100% of the bits and verify (see 3.12.2).
- (7) Perform burn-in (see 4.2.1a).

STANDARD MICROCIRCUIT DRAWING DEFENSE ELECTRONICS SUPPLY CENTER DAYTON, OHIO 45444	SIZE <b>A</b>		5962-87684
		REVISION LEVEL E	SHEET 23

- (8) One-hundred percent test at 25°C (group A, subgroups 1 and 7).  $V_m = 5.9 V$  with loose timing, apply PDA. For device types 03 - 06, the virgin state of the device must be verified.
- (9) Perform remaining final electrical subgroups and group A testing.
- (10) For device types 01, 02, erase devices may be submitted for groups B, C, and D at this time.
- (11) For device types 01, 02, verify erasure (see 3.12.3). Steps 1 through 4 are performed at wafer level.

**4.2.2 Additional criteria for device classes N, Q, and V.**

- a. The burn-in test duration, test condition and test temperature, or approved alternatives shall be as specified in the device manufacturer's QM plan in accordance with MIL-I-38535. The burn-in test circuit shall be maintained under document revision level control of the device manufacturer's Technology Review Board (TRB) in accordance with MIL-I-38535 and shall be made available to the acquiring or preparing activity upon request. The test circuit shall specify the inputs, outputs, biases, and power dissipation, as applicable, in accordance with the intent specified in test method 1015.
- b. Interim and final electrical test parameters shall be as specified in table II herein.
- c. Additional screening for device class V beyond the requirements of device class Q shall be as specified in appendix B of MIL-I-38535.

**4.3 Qualification inspection for device classes N, Q, and V.** Qualification inspection for device classes N, Q, and V shall be in accordance with MIL-I-38535. Inspections to be performed shall be those specified in MIL-I-38535 and herein for groups A, B, C, D, and E inspections (see 4.4.1 through 4.4.4).

**4.4 Conformance inspection.** Quality conformance inspection for device class M shall be in accordance with MIL-STD-883 (see 3.1 herein) and as specified herein. Inspections to be performed for device class M shall be those specified in method 5005 of MIL-STD-883 and herein for groups A, B, C, D, and E inspections (see 4.4.1 through 4.4.4). Technology conformance inspection for classes N, Q, and V shall be in accordance with MIL-I-38535 including groups A, B, C, D, and E inspections and as specified herein except where option 2 of MIL-I-38535 permits alternate in-line control testing.

**4.4.1 Group A inspection.**

- a. Tests shall be as specified in table II herein.
- b. For device class M, subgroups 7 and 8 tests shall be sufficient to verify the truth table. For device classes N, Q, and V, subgroups 7 and 8 shall include verifying the functionality of the device; these tests shall have been fault graded in accordance with MIL-STD-883, test method 5012 (see 1.5 herein).
- c. Subgroup 4 ( $C_{10}$  measurement) shall be measured only for the initial test and after process or design changes which may affect capacitance. A minimum sample size of 5 devices with zero rejects shall be required.
- d. All devices selected for testing shall have the EPROM programmed with a checkerboard pattern or equivalent. After completion of all testing, the devices shall be erased and verified (except devices submitted for groups C and D testing).
- e. The device types 03 - 06 shall be tested for programmability and AC performance compliance to the requirements of group A, subgroups 9, 10, 11. Either of the two techniques is acceptable.
  - (1) Testing the entire lot using additional built in test circuitry which allows the manufacturer to verify programmability and AC performance without programming user array. If this is done, the resulting test patterns shall be verified on all devices during subgroups 9, 10, 11, group A testing per the sampling plan specified in MIL-STD-883, method 5005.
  - (2) If such compliance cannot be tested on an unprogrammed device, a sample shall be selected to satisfy programmability requirements prior to performing subgroups 9, 10, 11. Twelve devices shall be submitted to programming. If more than 2 devices fail to program, the lot shall be rejected. At the manufacturer's option, the sample may be increased to 24 total devices with no more than 4 total device failures allowable. (Ten devices from the programmability sample shall be submitted to the requirements of group A, subgroups 9, 10, 11. If more than 2 total devices fail, the lot shall be rejected. At the manufacturer's option, the sample may be increased to 20 total devices with no more than 4 total device failures allowable.)

STANDARD MICROCIRCUIT DRAWING DEFENSE ELECTRONICS SUPPLY CENTER DAYTON, OHIO 45444	SIZE <b>A</b>		5962-8/684
		REVISION LEVEL E	SHEET <b>24</b>



TABLE II. Electrical test requirements.

Test requirements	Subgroups (in accordance with MIL-STD-883, TM 5005, table I)	Subgroups (in accordance with MIL-I-38535, table III)		
	Device class M	Device class N	Device class Q	Device class V
Interim electrical parameters (see 4.2)				1, 7
Final electrical parameters (see 4.2)	1, 2, 3, 7, 8, 1/ 9, 10, 11	1,2,3,7,8 2/ 9,10,11	1, 2, 3, 7, 1/ 8, 9, 10, 11	1, 2, 3, 7 1/ 8, 9, 10, 11
Group A test requirements (see 4.4)	1, 2, 3, 4, 7, 8, 9, 10, 11	1, 2, 3, 4, 7 8, 9, 10, 11	1, 2, 3, 4, 7 8, 9, 10, 11	1, 2, 3, 4, 7 8, 9, 10, 11
Group C end-point electrical parameters (see 4.4)	2, 8a, 10	2, 8a, 10	2, 8a, 10	2, 8a, 10
Group D end-point electrical parameters (see 4.4)	2, 8a, 10	2, 8a, 10	2, 8a, 10	2, 8a, 10
Group E end-point electrical parameters (see 4.4)	2, 8a, 10	2, 8a, 10	2, 8a, 10	2, 8a, 10

1/ PDA applies to subgroups 1 and 7.

2/ PDA applies to subgroups 2 and 8.

4.4.2 Group C inspection. The group C inspection end-point electrical parameters shall be as specified in table II herein.

4.4.2.1 Additional criteria for device class M. Steady-state life test conditions, method 1005 of MIL-STD-883:

- a. Test condition A, B, C or D. The test circuit shall be maintained by the manufacturer under document revision level control and shall be made available to the preparing or acquiring activity upon request. The test circuit shall specify the inputs, outputs, biases, and power dissipation, as applicable, in accordance with the intent specified in test method 1005.
- b.  $T_A = +125^\circ\text{C}$ , minimum.
- c. Test duration: 1,000 hours, except as permitted by method 1005 of MIL-STD-883.

STANDARD MICROCIRCUIT DRAWING DEFENSE ELECTRONICS SUPPLY CENTER DAYTON, OHIO 45444	SIZE <b>A</b>		5962-87684
		REVISION LEVEL E	SHEET <b>25</b>

**4.4.2 Additional criteria for device classes N, Q, and V.** The steady-state life test duration, test condition and test temperature, or approved alternatives shall be as specified in the device manufacturer's QM plan in accordance with MIL-I-38535. The test circuit shall be maintained under document revision level control by the device manufacturer's TRB, in accordance with MIL-I-38535, and shall be made available to the acquiring or preparing activity upon request. The test circuit shall specify the inputs, outputs, biases, and power dissipation, as applicable, in accordance with the intent specified in test method 1005.

- a. For device types 01, 02 all devices selected for testing shall be programmed with a checkerboard pattern or equivalent. After completion of all testing, the devices shall be erased and verified.
- b. For device types 03 - 06 , the programmability shall be verified per 4.4.1e

**4.4.3 Group D inspection.** The group D inspection end-point electrical parameters shall be as specified in table II herein.

**4.4.4 Group E inspection.** Group E inspection is required only for parts intended to be marked as radiation hardness assured (see 3.5 herein). RHA levels for device classes N, Q, and V shall be M, D, R, and H and for device class M shall be M and D.

- a. End-point electrical parameters shall be as specified in table II herein.
- b. For device class M, the devices shall be subjected to radiation hardness assured tests as specified in MIL-I-38535, appendix A, for the RHA level being tested. For device classes N, Q, and V, the devices or test vehicle shall be subjected to radiation hardness assured tests as specified in MIL-I-38535 for the RHA level being tested. All device classes must meet the postirradiation end-point electrical parameter limits as defined in table I at  $T_A = +25^{\circ}\text{C} \pm 5^{\circ}\text{C}$ , after exposure, to the subgroups specified in table II herein.
- c. When specified in the purchase order or contract, a copy of the RHA delta limits shall be supplied.

**4.5 Erasing procedure.** The recommended erasure procedure is exposure to ultraviolet light (at 2537 Angstroms) to an integrated dose of at least  $15 \text{ W-s/cm}^2$ . Exposing the EPROM to an ultraviolet lamp of  $12,000 \mu\text{W/cm}^2$  rating for 20 to 30 minutes, at a distance of about 1 inch, should be sufficient.

**4.6 Programming procedures.** The programming characteristics in table III and the following procedures shall be used for programming the device.

- a. Connect the device in the electrical configuration (see figure 5) for programming. The waveforms of figure 6 and programming characteristics of table III shall apply.
- b. Initially and after each erasure, all bits are in the high "H" state. Information is introduced by selectively programming "L" into the desired bit locations. A programmed "L" can be changed to an "H" by ultraviolet light erasure (see 4.5).

STANDARD MICROCIRCUIT DRAWING DEFENSE ELECTRONICS SUPPLY CENTER DAYTON, OHIO 45444	SIZE <b>A</b>		5962-87684
		REVISION LEVEL E	SHEET <b>26</b>

TABLE III. Programming characteristics.

Parameter	Symbol	Conditions	Limits		units
			Min	Max	
Programming supply voltage	$V_{pp}$	See figure 6. 1/	12.5	13.0	V
Programming supply current	$I_{pp}$			50	mA
Oscillator frequency	$1/t_{CLCL}$		4	6	MHz
Address setup to PROG low	$2/t_{AVGL}$		$48t_{CLCL}$		ns
Address hold after PROG	$2/t_{GHAX}$		$48t_{CLCL}$		
Data setup to PROG low	$2/t_{DVGL}$		$48t_{CLCL}$		
Data hold after PROG	$2/t_{GHDX}$		$48t_{CLCL}$		
P2.7 (ENABLE) high to VP	$2/t_{ENSH}$		$48t_{CLCL}$		
$V_{pp}$ setup to PROG low	$2/t_{SHGL}$		10		$\mu$ s
$V_{pp}$ hold after PROG	$2/t_{GSHL}$		10		
PROG width	$2/t_{GLGH}$		90	110	
Address to data	$2/t_{AVQV}$			$48t_{CLCL}$	ns
ENABLE low to data valid	$2/t_{ELQV}$			$48t_{CLCL}$	
Data float after ENABLE	$2/t_{EHQZ}$		0	$48t_{CLCL}$	
PROG high to PROG low	$2/t_{GHGL}$		10		$\mu$ s

1/ For programming specifications,  $T_C = 21^\circ\text{C}$  to  $27^\circ\text{C}$ ,  $V_{CC} = 5\text{ V} \pm 10$  percent,  $V_{SS} = 0\text{ V}$ .

2/ Due to test equipment limitations, actual tested values may differ from those specified, but specified limits are guaranteed.

STANDARD MICROCIRCUIT DRAWING DEFENSE ELECTRONICS SUPPLY CENTER DAYTON, OHIO 45444	SIZE <b>A</b>		5962-87684
		REVISION LEVEL E	SHEET 27

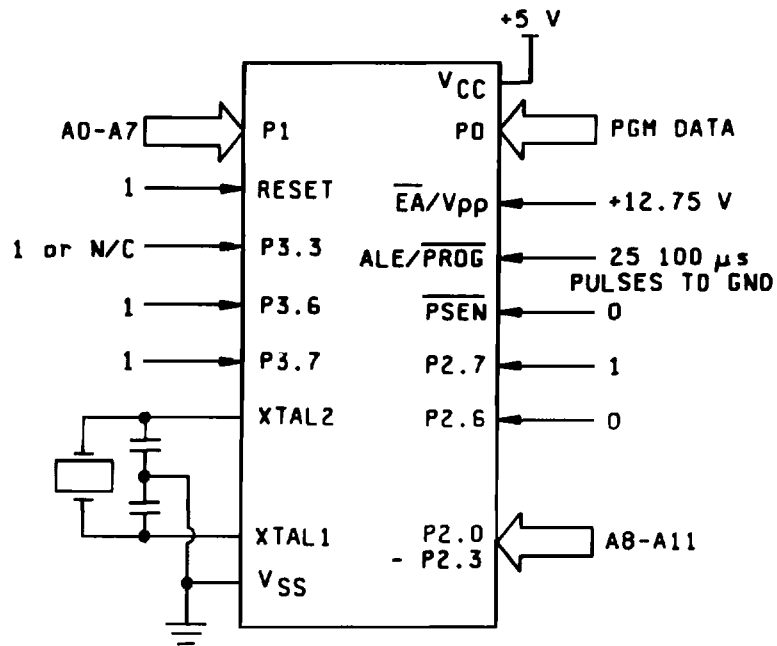


Figure 4. Programming configuration.

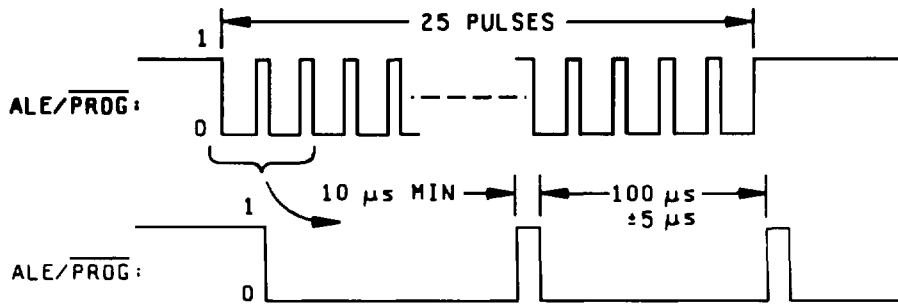


FIGURE 5. Programming waveforms.

STANDARD MICROCIRCUIT DRAWING DEFENSE ELECTRONICS SUPPLY CENTER DAYTON, OHIO 45444	SIZE <b>A</b>		5962-87684
		REVISION LEVEL E	SHEET <b>28</b>

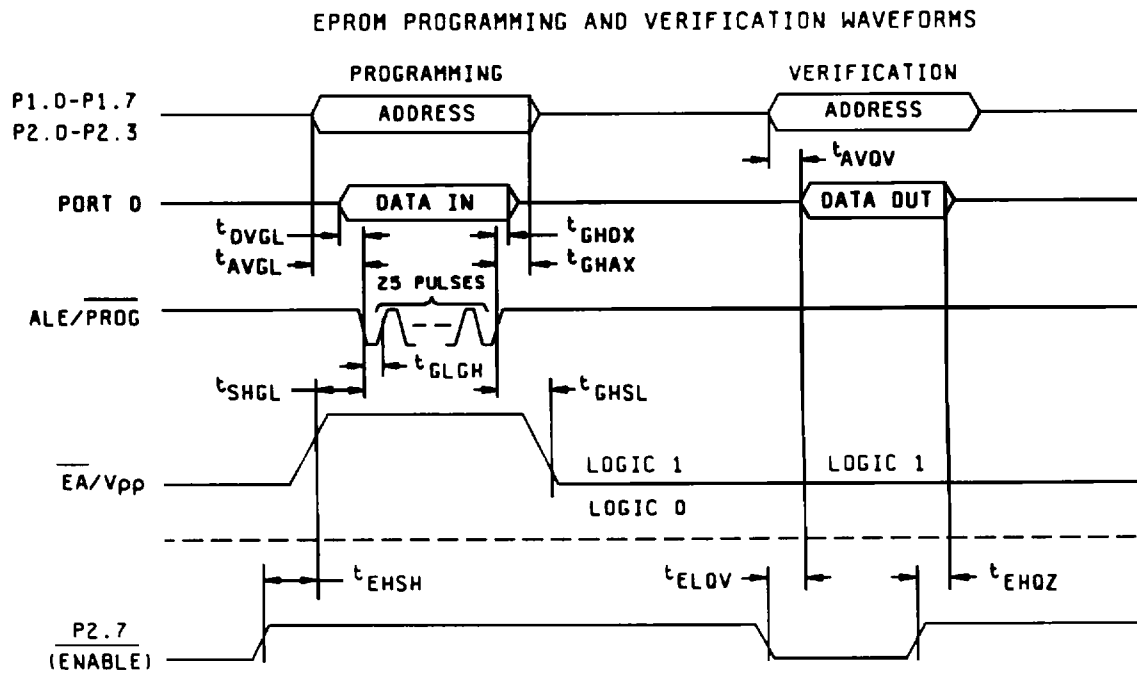
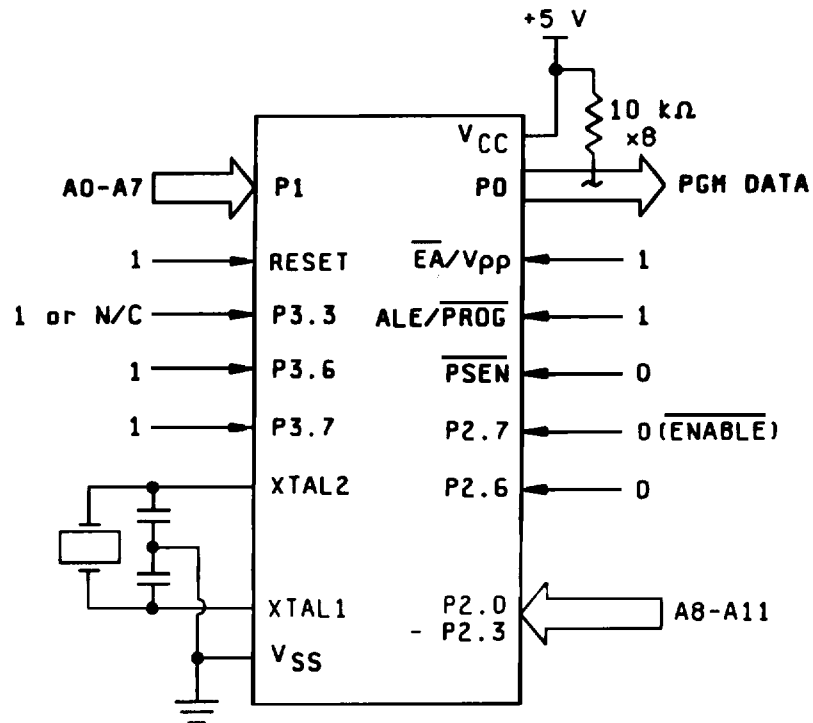


FIGURE 6. Programming verification.

STANDARD  
MICROCIRCUIT DRAWING  
DEFENSE ELECTRONICS SUPPLY CENTER  
DAYTON, OHIO 45444

SIZE  
**A**

5962-87684

REVISION LEVEL  
E

SHEET  
**29**

5. PACKAGING

5.1 Packaging requirements. The requirements for packaging shall be in accordance with MIL-STD-883 (see 3.1 herein) for device class M and MIL-I-38535 for device classes N, Q, and V.

6. NOTES

6.1 Intended use. Microcircuits conforming to this drawing are intended for use for Government microcircuit applications (original equipment), design applications, and logistics purposes.

6.1.1 Replaceability. Microcircuits covered by this drawing will replace the same generic device covered by a contractor-prepared specification or drawing.

6.1.2 Substitutability. Device class Q devices will replace device class M devices.

6.2 Configuration control of SMD's. All proposed changes to existing SMD's will be coordinated with the users of record for the individual documents. This coordination will be accomplished in accordance with MIL-STD-973 using DD Form 1692, Engineering Change Proposal.

6.3 Record of users. Military and industrial users shall inform Defense Electronics Supply Center when a system application requires configuration control and which SMD's are applicable to that system. DESC will maintain a record of users and this list will be used for coordination and distribution of changes to the drawings. Users of drawings covering microelectronic devices (FSC 5962) should contact DESC-EC, telephone (513) 296-6047.

6.4 Comments. Comments on this drawing should be directed to DESC-EC, Dayton, Ohio 45444-5270, or telephone (513) 296-5377.

6.5 Abbreviations, symbols, and definitions. The abbreviations, symbols, and definitions used herein are defined in MIL-I-38535 and MIL-STD-1331 and as follows:

Port 0. Port 0 is an 8-bit open drain bidirectional I/O port. Port 0 pins that have 1's written to them float, and in that state can be used as high-impedance inputs.

Port 0 is also the multiplexed low-order address and data bus during accesses to external program and data memory. In this application it uses strong internal pullups when emitting 1's. Port 0 also receives the code bytes during EPROM programming, and outputs the code bytes during program verification. External pullups are required during program verification.

Port 1. Port 1 is an 8-bit bidirectional I/O port with internal pullups. Port 1 pins that have 1's written to them are pulled high by the internal pullups, and in that state can be used as inputs. As inputs, port 1 pins that are externally being pulled low will source current ( $I_{IL}$ ) because of the internal pullups.

Port 1 also receives the low-order address bytes during EPROM programming and program verification.

Port 2. Port 2 is an 8-bit bidirectional I/O port with internal pullups. Port 2 pins that have 1's written to them are pulled high by the internal pullups, and in that state can be used as inputs. As inputs, port 2 pins that are externally being pulled low will source current ( $I_{IL}$ ) because of the internal pullups.

Port 2 emits the high-order address byte during fetches from external program memory and during accesses to external data memory that use 16-bit addresses (MOVX at DPTR). In this application it uses strong internal pullups when emitting 1's. During accesses to external data memory that used 8-bit addresses (MOVX at Ri), Port 2 emits the contents of the P2 special function register. Port 2 also receives some control signals and the high order address bits during EPROM programming and program verification.

PORT 3. Port 3 is an 8-bit bidirectional I/O port with internal pullups. Port 3 pins that have 1's written to them are pulled high by the internal pullups, and in that state can be used as inputs. As inputs, port 3 pins that are externally being pulled low will source current ( $I_{IL}$ ) because of the pullups.

STANDARD MICROCIRCUIT DRAWING DEFENSE ELECTRONICS SUPPLY CENTER DAYTON, OHIO 45444	SIZE <b>A</b>		5962-87684
		REVISION LEVEL E	SHEET 30

Port 3 also serves the functions of various special features of the MCS-51 family, as listed below:

Port pin	Alternate function
P3.0	RXD (serial input port)
P3.1	TXD (serial output port)
P3.2	INT0 (external interrupt 0)
P3.3	INT1 (external interrupt 1)
P3.4	TO (Timer 0 external input)
P3.5	T1 (Timer 1 external input)
P3.6	WR (external data memory write strobe)
P3.7	RD (external data memory read strobe)

Port 3 also receives some control signals for EPROM programming and program verification.

**RST.** Reset input. A logic high on this pin for two machine cycles while the oscillator is running resets the device. An internal pulldown resistor permits a power-on reset to be generated using only an external capacitor to  $V_{CC}$ .

**ALE/PROG.** Address latch enable output pulse for latching the low byte of the address during accesses to external memory. This pin is also the program pulse input (PROG) during EPROM programming.

In normal operation  $\overline{ALE}$  is emitted at a constant rate of  $1/6$  the oscillator frequency, and may be used for external timing or clocking purposes. Note, however, that one ALE pulse is skipped during each access to external data memory.

**PSEN.** Program store enable is the read strobe to external program memory. When the device is executing from internal program memory, PSEN is inactive (high). When the device is executing code from external program memory, PSEN is activated twice each machine cycle, except that two PSEN activations are skipped during each access to external data memory.

**$\overline{EA}/V_{pp}$ .** External access enable.  $\overline{EA}$  must be externally held low in order to enable the device to fetch code from external program memory locations 0000H to 0FFFH. If either of the lock bits is programmed, the logic level at EA is internally latched during reset. EA must be strapped to  $V_{CC}$  for internal program execution. This pin also receives the 12.75 V programming supply voltage ( $V_{pp}$ ) during EPROM programming.

**XTAL1.** Output from the inverting oscillator amplifier and input to the internal block generator circuits.

**XTAL2.** Output from the inverting oscillator amplifier.

**6.6 One part - one part number system.** The one part - one part number system described below has been developed to allow for transitions between identical generic devices covered by the three major microcircuit requirements documents (MIL-H-38534, MIL-I-38535, and 1.2.1 of MIL-STD-883) without the necessity for the generation of unique PIN's. The three military requirements documents represent different class levels, and previously when a device manufacturer upgraded military product from one class level to another, the benefits of the upgraded product were unavailable to the Original Equipment Manufacturer (OEM), that was contractually locked into the original unique PIN. By establishing a one part number system covering all three documents, the OEM can acquire to the highest class level available for a given generic device to meet system needs without modifying the original contract parts selection criteria.

STANDARD MICROCIRCUIT DRAWING DEFENSE ELECTRONICS SUPPLY CENTER DAYTON, OHIO 45444	SIZE A		5962-87684
		REVISION LEVEL E	SHEET 31

<u>Military documentation format</u>	<u>Example PIN under new system</u>	<u>Manufacturing source listing</u>	<u>Document listing</u>
New MIL-H-38534 Standard Microcircuit Drawings	5962-XXXXXZZ(H or K)YY	QML-38534	MIL-BUL-103
New MIL-I-38535 Standard Microcircuit Drawings	5962-XXXXXZZ(N, Q, or V)YY	QML-38535	MIL-BUL-103
New 1.2.1 of MIL-STD-883 Standard Microcircuit Drawings	5962-XXXXXZZ(M)YY	MIL-BUL-103	MIL-BUL-103

**6.7 Sources of supply.**

**6.7.1 Sources of supply for device classes M, Q, and V.** Sources of supply for device classes M, Q, and V are listed in QML-38535. The vendors listed in QML-38535 have submitted a certificate of compliance (see 3.6 herein) to DESC-EC and have agreed to this drawing.

**6.7.2 Approved sources of supply for device class M.** Approved sources of supply for class M are listed in MIL-BUL-103. The vendors listed in MIL-BUL-103 have agreed to this drawing and a certificate of compliance (see 3.6 herein) has been submitted to and accepted by DESC-EC.

STANDARD MICROCIRCUIT DRAWING DEFENSE ELECTRONICS SUPPLY CENTER DAYTON, OHIO 45444	SIZE A		5962-87684
		REVISION LEVEL E	SHEET 32



**STANDARD MICROCIRCUIT DRAWING SOURCE APPROVAL BULLETIN**

DATE: 96-01-02

Approved sources of supply for SMD 5962-87684 are listed below for immediate acquisition only and shall be added to MIL-BUL-103 during the next revision. MIL-BUL-103 will be revised to include the addition or deletion of sources. The vendors listed below have agreed to this drawing and a certificate of compliance has been submitted to and accepted by DESC-EC. This bulletin is superseded by the next dated revision of MIL-BUL-103.

Standardized military drawing part number	Vendor CAGE number	Vendor similar part number 1/
5962-8768401MQA	18324 34649	87C51/BQA MD87C51/B
5962-8768401MUA	18324 34649	87C51/BUA MR87C51/B
5962-8768401MMA	18324	87C51/BMA
5962-8768402MQA	18324 34649	87C51-16/BQA MD87C51-16/B
5962-8768402MUA	18324 34649	87C51-16/BUA MR87C51-16/B
5962-8768402MMA	18324	87C51-16/BMA
5962-8768403NXA	18324	87C51/IN40A
5962-8768403NYA	18324	87C51/IN44A
5962-8768404NXA	18324	87C51-16/IN40A
5962-8768404NYA	18324	87C51-16/IN44A
5962-8768405NXA	18324	87C51/CN40A
5962-8768405NYA	18324	87C51/CN44A
5962-8768406NXA	18324	87C51-16/CN40A
5962-8768406NYA	18324	87C51-16/CN44A

1/ Caution. Do not use this number for item acquisition. Items acquired to this number may not satisfy the performance requirements of this drawing.

Vendor CAGE  
number  
18324

Vendor name  
and address  
Philips Semiconductor  
990 Benecia Ave  
Sunnyvale, CA 94086  
Point of contact: 811 E. Arques Ave.  
Sunnyvale, CA 94086

34649

Intel Corporation  
2200 Mission College Blvd  
P.O. Box 58119  
Santa Clara, CA 95052-8119  
Point of contact: 5000 W. Chandler Blvd  
Chandler, AZ 85226

The information contained herein is disseminated for convenience only and the Government assumes no liability whatsoever for any inaccuracies in this information bulletin.