

SM320VC5510A-EP Fixed-Point Digital Signal Processor

Data Manual

Literature Number: SGUS045A
August 2003 – Revised November 2003

PRODUCTION DATA information is current as of publication date.
Products conform to specifications per the terms of Texas Instruments
standard warranty. Production processing does not necessarily include
testing of all parameters.



IMPORTANT NOTICE

Texas Instruments Incorporated and its subsidiaries (TI) reserve the right to make corrections, modifications, enhancements, improvements, and other changes to its products and services at any time and to discontinue any product or service without notice. Customers should obtain the latest relevant information before placing orders and should verify that such information is current and complete. All products are sold subject to TI's terms and conditions of sale supplied at the time of order acknowledgment.

TI warrants performance of its hardware products to the specifications applicable at the time of sale in accordance with TI's standard warranty. Testing and other quality control techniques are used to the extent TI deems necessary to support this warranty. Except where mandated by government requirements, testing of all parameters of each product is not necessarily performed.

TI assumes no liability for applications assistance or customer product design. Customers are responsible for their products and applications using TI components. To minimize the risks associated with customer products and applications, customers should provide adequate design and operating safeguards.

TI does not warrant or represent that any license, either express or implied, is granted under any TI patent right, copyright, mask work right, or other TI intellectual property right relating to any combination, machine, or process in which TI products or services are used. Information published by TI regarding third-party products or services does not constitute a license from TI to use such products or services or a warranty or endorsement thereof. Use of such information may require a license from a third party under the patents or other intellectual property of the third party, or a license from TI under the patents or other intellectual property of TI.

Reproduction of information in TI data books or data sheets is permissible only if reproduction is without alteration and is accompanied by all associated warranties, conditions, limitations, and notices. Reproduction of this information with alteration is an unfair and deceptive business practice. TI is not responsible or liable for such altered documentation.

Resale of TI products or services with statements different from or beyond the parameters stated by TI for that product or service voids all express and any implied warranties for the associated TI product or service and is an unfair and deceptive business practice. TI is not responsible or liable for any such statements.

Following are URLs where you can obtain information on other Texas Instruments products and application solutions:

Products		Applications	
Amplifiers	amplifier.ti.com	Audio	www.ti.com/audio
Data Converters	dataconverter.ti.com	Automotive	www.ti.com/automotive
DSP	dsp.ti.com	Broadband	www.ti.com/broadband
Interface	interface.ti.com	Digital Control	www.ti.com/digitalcontrol
Logic	logic.ti.com	Military	www.ti.com/military
Power Mgmt	power.ti.com	Optical Networking	www.ti.com/opticalnetwork
Microcontrollers	microcontroller.ti.com	Security	www.ti.com/security
		Telephony	www.ti.com/telephony
		Video & Imaging	www.ti.com/video
		Wireless	www.ti.com/wireless

Mailing Address: Texas Instruments
Post Office Box 655303 Dallas, Texas 75265

Copyright © 2003, Texas Instruments Incorporated

Contents

<i>Section</i>	<i>Page</i>
1 Features	1
2 Introduction	2
2.1 Description	2
2.2 Pin Assignments	3
2.3 Signal Descriptions	6
3 Functional Overview	12
3.1 Memory	13
3.1.1 On-Chip Dual-Access RAM (DARAM)	13
3.1.2 On-Chip Single-Access RAM (SARAM)	13
3.1.3 On-Chip ROM	14
3.1.4 Instruction Cache	14
3.1.5 Memory Map	15
3.1.6 Bootloader	15
3.2 Peripherals	16
3.2.1 System Register (SYSR)	17
3.2.2 Direct Memory Access (DMA)	18
3.2.3 Enhanced Host Port Interface (EHPI)	19
3.2.4 General-Purpose Input/Output Port (GPIO)	20
3.3 CPU Register Description	21
3.4 Peripheral Register Description	23
3.5 Interrupts	33
3.5.1 IFR and IER Registers	34
3.5.2 Interrupt Timing	34
3.6 Notices Concerning CLKOUT Operation	35
3.6.1 CLKOUT Voltage Level	35
3.6.2 CLKOUT Value During Reset	35
4 Documentation Support	36
4.1 Device and Development-Support Tool Nomenclature	36
4.2 320VC5510 Device Nomenclature	37
5 Electrical Specifications	38
5.1 Absolute Maximum Ratings	38
5.2 Recommended Operating Conditions	38
5.3 Electrical Characteristics Over Recommended Operating Case Temperature Range (Unless Otherwise Noted)	39
5.4 Package Thermal Resistance Characteristics	40
5.5 Timing Parameter Symbology	41
5.6 Clock Options	42
5.6.1 Clock Generation in Bypass Mode (DPLL Disabled)	42
5.6.2 Clock Generation in Lock Mode (DPLL Synthesis Enabled)	43
5.7 Memory Timing	44
5.7.1 Asynchronous Memory Timing	44
5.7.2 Synchronous-Burst SRAM (SBSRAM) Timing	47
5.7.3 Synchronous DRAM (SDRAM) Timing	49
5.8 $\overline{\text{HOLD}}$ and $\overline{\text{HOLDA}}$ Timings	53
5.9 Reset Timings	54
5.10 External Interrupt Timings	55

5.11	XF Timings	55
5.12	General-Purpose Input/Output (IOx) Timings	56
5.13	TIN/TOUT Timings	57
5.14	Multichannel Buffered Serial Port (McBSP) Timings	58
5.14.1	McBSP Transmit and Receive Timings	58
5.14.2	McBSP General-Purpose I/O Timing	61
5.14.3	McBSP as SPI Master or Slave Timing	62
5.15	Enhanced Host-Port Interface (EHPI) Timing	66
6	Mechanical Data	72
6.1	Ball Grid Array (GGW) Package Mechanical Data	72

List of Figures

<i>Figure</i>	<i>Page</i>
2-1. 320VC5510 GGW MicroStar BGAE Package (Bottom View)	3
3-1. 320VC5510 Functional Block Diagram	12
3-2. 320VC5510 Memory Map	15
3-3. System Register (SYSR) Bit Layout	17
3-4. EHPI Memory Map	19
3-5. I/O Direction Register (IODIR) Bit Layout	20
3-6. I/O Data Register (IODATA) Bit Layout	20
3-7. IFR0, IER0, DBIFR0, and DBIER0 Bit Locations	34
3-8. IFR1, IER1, DBIFR1, and DBIER1 Bit Locations	34
4-1. Device Nomenclature for the 320VC5510	37
5-1. 3.3-V Test Load Circuit	40
5-2. Bypass Mode Clock Timing	42
5-3. External Multiply-by-N Clock Timing	43
5-4. Asynchronous Memory Read Timing	45
5-5. Asynchronous Memory Write Timing	46
5-6. SBSRAM Read Timing	48
5-7. SBSRAM Write Timing	48
5-8. Two SDRAM Read Commands (Active Row)	50
5-9. Two SDRAM WRT Commands (Active Row)	50
5-10. SDRAM ACTV Command	51
5-11. SDRAM DCAB Command	51
5-12. SDRAM REFR Command	52
5-13. SDRAM MRS Command	52
5-14. HOLD/HOLDA Timing	53
5-15. Reset Timing	54
5-16. External Interrupt Timing	55
5-17. XF Timing	55
5-18. General-Purpose Input/Output (IOx) Signal Timings	56
5-19. TIN/TOUT Timing When Configured as Inputs	57
5-20. TIN/TOUT Timing When Configured as Outputs	57
5-21. McBSP Receive Timings	60
5-22. McBSP Transmit Timings	60
5-23. McBSP General-Purpose I/O Timings	61
5-24. McBSP Timing as SPI Master or Slave: CLKSTP = 10b, CLKXP = 0	62
5-25. McBSP Timing as SPI Master or Slave: CLKSTP = 11b, CLKXP = 0	63
5-26. McBSP Timing as SPI Master or Slave: CLKSTP = 10b, CLKXP = 1	64
5-27. McBSP Timing as SPI Master or Slave: CLKSTP = 11b, CLKXP = 1	65
5-28. EHPI Nonmultiplexed Read/Write Timings	67
5-29. EHPI Multiplexed Memory (HPID) Access Read/Write Timings Without Autoincrement	68
5-30. EHPI Multiplexed Memory (HPID) Access Read Timings With Autoincrement	69

Figures

5-31. EHPI Multiplexed Memory (HPID) Access Write Timings With Autoincrement 70
5-32. EHPI Multiplexed Register Access Read/Write Timings 71
6-1. 320VC5510 240-Ball MicroStar BGAE Plastic Ball Grid Array Package 72

List of Tables

<i>Table</i>	<i>Page</i>
2-1. Pin Assignments	4
2-2. Signal Descriptions	6
3-1. DARAM Blocks	13
3-2. SARAM Blocks	13
3-3. Standard On-Chip ROM Contents	14
3-4. 320VC5510 Boot Configurations	16
3-5. System Register (SYSR) Bit Functions	17
3-6. DMA Sync Events	18
3-7. I/O Direction Register (IODIR) Bit Functions	20
3-8. I/O Data Register (IODATA) Bit Functions	20
3-9. CPU Registers	21
3-10. Peripheral Bus Controller Configuration Registers	23
3-11. Instruction Cache Registers	23
3-12. External Memory Interface Registers	24
3-13. DMA Configuration Registers	25
3-14. Clock Generator Registers	28
3-15. Timer Registers	28
3-16. Multichannel Serial Port #0 Registers	29
3-17. Multichannel Serial Port #1 Registers	30
3-18. Multichannel Serial Port #2 Registers	31
3-19. GPIO Registers	32
3-20. Device Revision ID Registers	32
3-21. Interrupt Table	33
5-1. Thermal Resistance Characteristics (Ambient)	40
5-2. Thermal Resistance Characteristics (Case)	40
5-3. CLKIN in Bypass Mode Timing Requirements	42
5-4. CLKOUT in Bypass Mode Switching Characteristics	42
5-5. CLKIN in Lock Mode Timing Requirements	43
5-6. CLKOUT in Lock Mode Switching Characteristics	43
5-7. Asynchronous Memory Cycles Timing Requirements	44
5-8. Asynchronous Memory Cycles Switching Characteristics	44
5-9. Synchronous-Burst SRAM Cycle Timing Requirements	47
5-10. Synchronous-Burst SRAM Cycle Switching Characteristics	47
5-11. Synchronous DRAM Cycle Timing Requirements	49
5-12. Synchronous DRAM Cycle Switching Characteristics	49
5-13. $\overline{\text{HOLD}}$ and $\overline{\text{HOLDA}}$ Timing Requirements	53
5-14. $\overline{\text{HOLD}}$ and $\overline{\text{HOLDA}}$ Switching Characteristics	53
5-15. Reset Timing Requirements	54
5-16. Reset Switching Characteristics	54
5-17. External Interrupt Timing Requirements	55
5-18. XF Switching Characteristics	55
5-19. General-Purpose Input/Output (GPIO) Pins Configured as Inputs Timing Requirements	56
5-20. General-Purpose Input/Output (GPIO) Pins Configured as Inputs Switching Characteristics	56
5-21. TIN/TOUT Pins Configured as Inputs Timing Requirements	57
5-22. TIN/TOUT Pins Configured as Outputs Switching Characteristics	57
5-23. McBSP Timing Requirements	58

5-24. McBSP Switching Characteristics	59
5-25. McBSP General-Purpose I/O Timing Requirements	61
5-26. McBSP General-Purpose I/O Switching Characteristics	61
5-27. McBSP as SPI Master or Slave Timing Requirements (CLKSTP = 10b, CLKXP = 0)	62
5-28. McBSP as SPI Master or Slave Switching Characteristics (CLKSTP = 10b, CLKXP = 0)	62
5-29. McBSP as SPI Master or Slave Timing Requirements (CLKSTP = 11b, CLKXP = 0)	63
5-30. McBSP as SPI Master or Slave Switching Characteristics (CLKSTP = 11b, CLKXP = 0)	63
5-31. McBSP as SPI Master or Slave Timing Requirements (CLKSTP = 10b, CLKXP = 1)	64
5-32. McBSP as SPI Master or Slave Switching Characteristics (CLKSTP = 10b, CLKXP = 1)	64
5-33. McBSP as SPI Master or Slave Timing Requirements (CLKSTP = 11b, CLKXP = 1)	65
5-34. McBSP as SPI Master or Slave Switching Characteristics (CLKSTP = 11b, CLKXP = 1)	65
5-35. EHPI Timing Requirements	66
5-36. EHPI Switching Characteristics	66

1 Features

- **Controlled Baseline**
 - One Assembly/Test Site, One Fabrication Site
- **Extended Temperature Performance of –40°C to 85°C**
- **Enhanced Diminishing Manufacturing Sources (DMS) Support**
- **Enhanced Product-Change Notification**
- **Qualification Pedigree†**
- **High-Performance, Low-Power, Fixed-Point 320C55x™ Digital Signal Processor (DSP)**
 - 5-ns Instruction Cycle Time
 - 200-MHz Clock Rate
 - One/Two Instructions Executed per Cycle
 - Dual Multipliers (Up to 400 Million Multiply-Accumulates Per Second (MMACS))
 - Two Arithmetic/Logic Units
 - One Internal Program Bus
 - Three Internal Data/Operand Read Buses
 - Two Internal Data/Operand Write Buses
- **Instruction Cache (24K Bytes)**
- **160K x 16-Bit On-Chip RAM Composed of:**
 - Eight Blocks of 4K x 16-Bit Dual-Access RAM (DARAM) (64K Bytes)
 - 32 Blocks of 4K x 16-Bit Single-Access RAM (SARAM) (256K Bytes)
- **16K x 16-Bit On-Chip ROM (32K Bytes)**
- **8M x 16-Bit Maximum Addressable External Memory Space**
- **32-Bit External Memory Interface (EMIF) With Glueless Interface to:**
 - Asynchronous Static RAM (SRAM)
 - Asynchronous EPROM
 - Synchronous DRAM (SDRAM)
 - Synchronous Burst SRAM (SBSRAM)
- **Programmable Low-Power Control of Six Device Functional Domains**
- **On-Chip Peripherals**
 - Two 20-Bit Timers
 - Six-Channel Direct Memory Access (DMA) Controller
 - Three Multichannel Buffered Serial Ports (McBSPs)
 - 16-Bit Parallel Enhanced Host-Port Interface (EHPI)
 - Programmable Digital Phase-Locked Loop (DPLL) Clock Generator
 - Eight General-Purpose I/O (GPIO) Pins and Dedicated General-Purpose Output (XF)
- **On-Chip Scan-Based Emulation Logic**
- **IEEE Std 1149.1‡ (JTAG) Boundary Scan Logic**
- **240-Terminal MicroStar BGA™ (Ball Grid Array) (GGW Suffix)**
- **3.3-V I/O Supply Voltage**
- **1.6-V Core Supply Voltage§**

TMS320C55x and MicroStar BGA are trademarks of Texas Instruments. Other trademarks are the property of their respective owners.

† Component qualification in accordance with JEDEC and industry standards to ensure reliable operation over an extended temperature range. This includes, but is not limited to, Highly Accelerated Stress Test (HAST) or biased 85/85, temperature cycle, autoclave or unbiased HAST, electromigration, bond intermetallic life, and mold compound life. Such qualification testing should not be viewed as justifying use of this component beyond specified performance and environmental limits.

‡ IEEE Standard 1149.1-1990 Standard-Test-Access Port and Boundary Scan Architecture.

§ Some TMX320VC5510 prototype devices may require core supply voltage other than 1.6 V. See the Electrical Specification section of this data manual for more information. See the *TMS320VC5510 Digital Signal Processor Silicon Errata* (literature number SPRZ008) for further clarification and distinguishing markings.

2 Introduction

This section describes the main features of the 320VC5510 digital signal processor (DSP), lists the pin assignments, and describes the function of each pin. This data manual also provides a detailed description section, electrical specifications, parameter measurement information, and mechanical data about the available packaging.

NOTE: This data manual is designed to be used in conjunction with the *TMS320C55x™ DSP Functional Overview* (literature number SPRU312).

2.1 Description

The 320VC5510 (5510) fixed-point digital signal processor (DSP) is based on the TMS320C55x DSP generation CPU processor core. The C55x™ DSP architecture achieves high performance and low power through increased parallelism and total focus on reduction in power dissipation. The CPU supports an internal bus structure composed of one program bus, three data-read buses, two-data write buses, and additional buses dedicated to peripheral and DMA activity. These buses provide the ability to perform up to three data reads and two data writes in a single cycle. In parallel, the DMA controller can perform up to two data transfers per cycle independent of the CPU activity.

The C55x CPU provides two multiply-accumulate (MAC) units, each capable of 17-bit x 17-bit multiplication in a single cycle. A central 40-bit arithmetic/logic unit (ALU) is supported by an additional 16-bit ALU. Use of the ALUs is under instruction set control, providing the ability to optimize parallel activity and power consumption. These resources are managed in the address unit (AU) and data unit (DU) of the C55x CPU.

The C55x™ DSP generation supports a variable byte width instruction set for improved code density. The instruction unit (IU) performs 32-bit program fetches from internal or external memory and queues instructions for the program unit (PU). The program unit decodes the instructions, directs tasks to AU and DU resources, and manages the fully protected pipeline. Predictive branching capability avoids pipeline flushes on execution of conditional instructions. The 5510 also includes a 24K-byte instruction cache to minimize external memory accesses, improving data throughput and conserving system power.

The 5510 peripheral set includes an external memory interface (EMIF) that provides glueless access to asynchronous memories like EPROM and SRAM, as well as to high-speed, high-density memories such as synchronous DRAM and synchronous burst SRAM. Three full-duplex multichannel buffered serial ports (McBSPs) provide glueless interface to a variety of industry-standard serial devices, and multichannel communication with up to 128 separately enabled channels. The enhanced host-port interface (EHPI) is a 16-bit parallel interface used to provide host processor access to internal memory on the 5510. The EHPI can be configured in either multiplexed or non-multiplexed mode to provide glueless interface to a wider variety of host processors. The DMA controller provides data movement for six independent channel contexts without CPU intervention, providing DMA throughput of up to two 16-bit words per cycle. Two general-purpose timers, eight general-purpose I/O (GPIO) pins, and digital phase-locked loop (DPLL) clock generation are also included.

The 5510 is supported by the industry's leading eXpressDSP™ software environment including the Code Composer Studio™ integrated development environment, DSP/BIOS™ software kernel foundation, the TMS320™ DSP Algorithm Standard, and the industry's largest third-party network. Code Composer Studio features code generation tools including a C-Compiler, Visual Linker, simulator, Real-Time Data Exchange (RTDX™), XDS510™ emulation device drivers, and Chip Support Libraries (CSL). DSP/BIOS is a scalable real-time software foundation available for no cost to users of Texas Instruments' DSP products providing a preemptive task scheduler and real-time analysis capabilities with very low memory and megahertz overhead. The TMS320 DSP Algorithm Standard is a specification of coding conventions allowing fast integration of algorithms from different teams, sites, or third parties into the application framework. Texas Instruments' extensive DSP third-party network of over 400 providers brings focused competencies and complete solutions to customers.

Texas Instruments (TI) has also developed foundation software available for the 5510. The C55x DSP Library (DSPLIB) features over 50 C-callable software kernels (FIR/IIR filters, Fast Fourier Transforms (FFTs), and various computational functions). The DSP Image/Video Processing Library (IMGLIB) contains over 20 software kernels highly optimized for C55x DSPs and is compiled with the latest revision of the C55x DSP code generation tools. These imaging functions support a wide range of applications that include compression, video processing, machine vision, and medical imaging.

The TMS320C55x DSP core was created with an open architecture that allows the addition of application-specific hardware to boost performance on specific algorithms. The hardware extensions on the 5510 strike the perfect balance of fixed function performance with programmable flexibility, while achieving low-power consumption, and cost that traditionally has been difficult to find in the video-processor market. The extensions allow the 5510 to deliver exceptional video codec performance with more than half its bandwidth available for performing additional functions such as color space conversion, user-interface operations, security, TCP/IP, voice recognition, and text-to-speech conversion. As a result, a single 5510 DSP can power most portable digital video applications with processing headroom to spare. For more information, see the *TMS320C55x Hardware Extensions for Image/Video Applications Programmer's Reference* (literature number SPRU098). For more information on using the the DSP Image Processing Library, see the *TMS320C55x Image/Video Processing Library Programmer's Reference* (literature number SPRU037).

2.2 Pin Assignments

Figure 2–1 illustrates the ball locations for the 240-pin ball grid array (BGA) package and is used in conjunction with Table 2–1 to locate signal names and ball grid numbers.

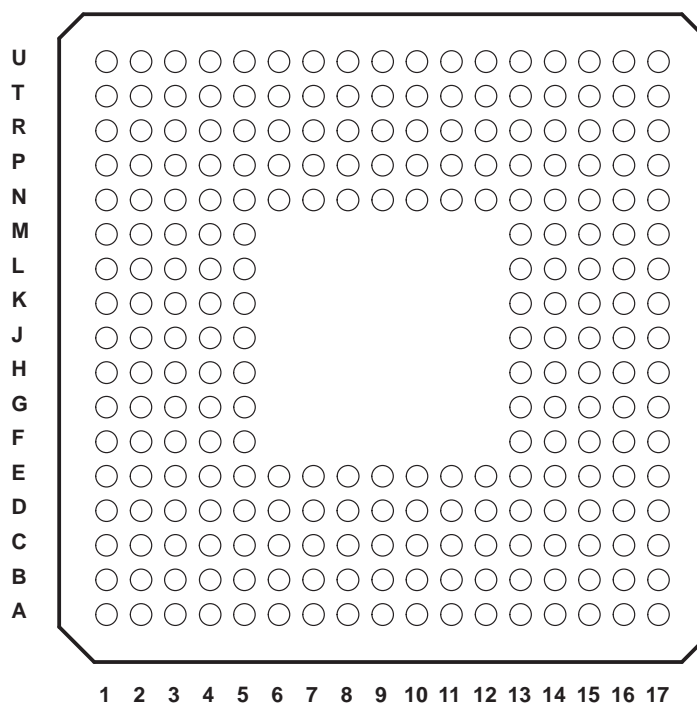


Figure 2–1. 320VC5510 GGW MicroStar BGA™ Package (Bottom View)

Table 2–1. Pin Assignments

BGA BALL #	SIGNAL	BGA BALL #	SIGNAL	BGA BALL #	SIGNAL	BGA BALL #	SIGNAL
A1	V _{SS}	A2	A9	A3	DV _{DD}	A4	A8
A5	CV _{DD}	A6	A4	A7	DV _{DD}	A8	D2
A9	V _{SS}	A10	V _{SS}	A11	SDRAS	A12	DV _{DD}
A13	SDCAS	A14	CV _{DD}	A15	HD10	A16	V _{SS}
A17	V _{SS}	B1	V _{SS}	B2	XF	B3	D9
B4	D7	B5	D5	B6	D3	B7	A2
B8	A0	B9	CLKMEM	B10	SDA10	B11	HD2
B12	SDWE	B13	HD1	B14	HRDY	B15	HD3
B16	HD0	B17	HDS1	C1	A10	C2	D13
C3	D10	C4	A6	C5	A7	C6	A5
C7	A3	C8	D0	C9	HD4	C10	HD5
C11	HD6	C12	HD7	C13	HD8	C14	HD9
C15	HR/W	C16	HCS	C17	TRST	D1	DV _{DD}
D2	D14	D3	D11	D4	D8	D5	D6
D6	D4	D7	D1	D8	A1	D9	HD15
D10	HD14	D11	HD13	D12	HD12	D13	HD11
D14	HDS2	D15	HA11	D16	HA0	D17	DV _{DD}
E1	A11	E2	D15	E3	D12	E4	CE3
E5	BOOTM3	E6	CV _{DD}	E7	CV _{DD}	E8	NC
E9	NC	E10	CV _{DD}	E11	NC	E12	NC
E13	RSVD9	E14	HA12	E15	HA10	E16	HA1/HCNTL1
E17	RST_MODE	F1	DV _{DD}	F2	A13	F3	A12
F4	A16	F5	CV _{DD}	F13	RSVD8	F14	HA9
F15	HA2/HAS	F16	CLKIN	F17	CV _{DD}	G1	CE2
G2	A17	G3	A15	G4	A14	G5	NC
G13	RSVD7	G14	HA8	G15	HA3	G16	RESET
G17	HA13	H1	V _{SS}	H2	CE1	H3	A19
H4	A18	H5	NC	H13	RSVD6	H14	HA4
H15	CLKOUT	H16	HA14	H17	V _{SS}	J1	V _{SS}
J2	CE0	J3	A21	J4	A20	J5	NC
J13	RSVD5	J14	HA5	J15	HA15	J16	HA7
J17	V _{SS}	K1	IO7	K2	BE0	K3	BE1
K4	IO0	K5	CV _{DD}	K13	RSVD4	K14	TMS
K15	HBE0	K16	HA16	K17	HA6	L1	CV _{DD}
L2	IO6	L3	BE2	L4	BE3	L5	NC
L13	RSVD3	L14	EMU1/OFF	L15	TDO	L16	TDI
L17	TCK	M1	IO5	M2	SSWE	M3	SSOE
M4	IO1/BOOTM0	M5	NC	M13	RSVD2	M14	HA18
M15	HA17	M16	HBE1	M17	DV _{DD}	N1	DV _{DD}
N2	IO4	N3	D16	N4	SSADS	N5	NC
N6	CV _{DD}	N7	NC	N8	NC	N9	NC
N10	CV _{DD}	N11	NC	N12	NC	N13	RSVD1
N14	HINT	N15	HCNTL0	N16	HMODE	N17	HA19
P1	IO3/BOOTM2	P2	CLKS1	P3	DR1	P4	D19
P5	D22	P6	D23	P7	D24	P8	CLKS2
P9	FSX0	P10	D31	P11	D28	P12	INT4
P13	ARDY	P14	HOLDA	P15	TIN/TOUT0	P16	CLKMD

Table 2-1. Pin Assignments (Continued)

BGA BALL #	SIGNAL	BGA BALL #	SIGNAL	BGA BALL #	SIGNAL	BGA BALL #	SIGNAL
P17	CV _{DD}	R1	CV _{DD}	R2	FSR1	R3	D18
R4	D20	R5	CLKR2	R6	FSR2	R7	DR2
R8	D26	R9	FSX2	R10	DX0	R11	INT5
R12	INT0	R13	INT2	R14	ARE	R15	CLKX1
R16	EMU0	R17	TIN/TOUT1	T1	D17	T2	IO2/BOOTM1
T3	CLKR1	T4	D21	T5	FSR0	T6	DR0
T7	D25	T8	D27	T9	D29	T10	D30
T11	NC	T12	NMI	T13	AWE	T14	INT3
T15	FSX1	T16	DX1	T17	V _{SS}	U1	V _{SS}
U2	V _{SS}	U3	CLKR0	U4	CV _{DD}	U5	CLKS0
U6	DV _{DD}	U7	CLKX0	U8	CLKX2	U9	V _{SS}
U10	V _{SS}	U11	DX2	U12	CV _{DD}	U13	INT1
U14	DV _{DD}	U15	AOE	U16	HOLD	U17	V _{SS}

2.3 Signal Descriptions

Table 2–2 lists each signal, function, and operating mode(s) grouped by function. See Section 2.2 for exact pin locations based on package type.

Table 2–2. Signal Descriptions

SIGNAL NAME	TYPE†	OTHER‡	DESCRIPTION
EMIF - ADDRESS BUS			
A[21:0]	O/Z	E,F	External memory address bus (byte address). Address all external memory (program and data). Since A[23:22] are redundant to the CE[3:0] memory space selects in terms of memory addressing capability, A[23:22] are not externally provided.
EMIF - CONTROL SIGNALS COMMON TO ALL MEMORY TYPES			
$\overline{\text{CE0}}$ $\overline{\text{CE1}}$ $\overline{\text{CE2}}$ $\overline{\text{CE3}}$	O/Z	E,F	External memory space enables. Select one of four external memory ranges based on the address.
$\overline{\text{BE0}}$ $\overline{\text{BE1}}$ $\overline{\text{BE2}}$ $\overline{\text{BE3}}$	O/Z	E,F	Byte-enable control. Can be used as chip selects for external memory. These signals respond according to the data width of the memory access. 8-bit accesses cause a single byte enable to respond. 16-bit accesses cause two byte enables to respond. 32-bit accesses cause all four byte enables to respond.
CLKMEM	O/Z	E,F	Memory interface clock (for SDRAM/SBSRAM). Clock for synchronizing the external synchronous memories to the C55x external memory interface.
EMIF - DATA BUS			
D[31:0]	I/O/Z	D,E,F	External data bus. Provides data exchange between external memories and the C55x external memory interface. The bus holders on D[31:0] are controlled by the BH bit in the system register (SYSR).
EMIF - BUS ARBITRATION			
$\overline{\text{HOLD}}$	I	-	Hold request. $\overline{\text{HOLD}}$ is asserted by an external host to request control of the address, data and control signals.
$\overline{\text{HOLDA}}$	O/Z	F	Hold acknowledge. $\overline{\text{HOLDA}}$ is asserted by the DSP to indicate that the DSP is in the HOLD state and that the EMIF address, data and control signals are in a high-impedance state, allowing the external memory interface to be accessed by other devices.
EMIF - ASYNCHRONOUS MEMORY CONTROL SIGNALS			
$\overline{\text{ARE}}$	O/Z	E,F	Asynchronous memory read enable. $\overline{\text{ARE}}$ acts as a strobe during asynchronous memory reads only.
$\overline{\text{AOE}}$			Asynchronous memory output enable. $\overline{\text{AOE}}$ indicates whether a memory access is a read (low) or a write (high).
$\overline{\text{AWE}}$			Asynchronous memory write enable. $\overline{\text{AWE}}$ acts as a strobe during asynchronous memory writes only.
ARDY	I		Asynchronous memory ready input. ARDY indicates that an external device is ready for a bus transaction to be completed. If the device is not ready (ARDY is low), the processor extends the memory access by one cycle and checks ARDY again. The ARDY signal is sampled at the end of the STROBE period in the memory access.

† I = Input, O = Output, S = Supply, Z = High impedance

‡ Other Pin Characteristics:

- | | |
|--|---|
| A – Internal pullup (always enabled) | E – Pin is high impedance in HOLD mode (due to $\overline{\text{HOLD}}$ pin). |
| B – Internal pulldown (always enabled) | F – Pin is high impedance in OFF mode (due to EMU1/OFF pin). |
| C – Hysteresis input | G – Pin can be configured as a general-purpose input. |
| D – Pin has bus holder | H – Pin can be configured as a general-purpose output. |
| J – Internal pullup enabled by the HPE bit in the system register (SYSR) | |
| K – Internal pulldown enabled by the HPE bit in the system register (SYSR) | |

Table 2–2. Signal Descriptions (Continued)

SIGNAL NAME	TYPE†	OTHER‡	DESCRIPTION
EMIF - SYNCHRONOUS BURST SRAM CONTROL SIGNALS			
$\overline{\text{SSADS}}$	O/Z	E,F	SBSRAM address strobe. $\overline{\text{SSADS}}$ is active (low) during the period of the SBSRAM access when the address is made available to the external memory by the DSP.
$\overline{\text{SSOE}}$			SBSRAM output enable. $\overline{\text{SSOE}}$ is active (low) during read accesses to SBSRAM.
$\overline{\text{SSWE}}$			SBSRAM write enable. $\overline{\text{SSWE}}$ is active (low) during write accesses to SBSRAM.
EMIF - SYNCHRONOUS DRAM CONTROL SIGNALS			
$\overline{\text{SDRAS}}$	O/Z	E,F	SDRAM row address strobe. $\overline{\text{SDRAS}}$ is active (low) during the ACTV, DCAB, REFR, and MRS commands.
$\overline{\text{SDCAS}}$			SDRAM address column strobe. $\overline{\text{SDCAS}}$ is active (low) during reads, writes, and the REFR and MRS commands.
$\overline{\text{SDWE}}$			SDRAM write enable. $\overline{\text{SDWE}}$ is active (low) during writes, and the DCAB and MRS commands.
SDA10			SDRAM A10 address (address/autoprecharge disable). SDA10 is used during reads, writes, and all commands.
MULTICHANNEL BUFFERED SERIAL PORT SIGNALS			
CLKR0 CLKR1 CLKR2	I/O/Z	C,F,G,H	Serial shift clock reference for the receiver
DR0 DR1 DR2	I	G	Serial receive data input
FSR0 FSR1 FSR2	I/O/Z	F,G,H	Frame synchronization signal for the receiver
CLKX0 CLKX1 CLKX2	I/O/Z	C,F,G,H	Serial shift clock reference for the transmitter
DX0 DX1 DX2	O/Z	F,H	Serial transmit data output
FSX0 FSX1 FSX2	I/O/Z	F,G,H	Frame synchronization signal for the transmitter
CLKS0 CLKS1 CLKS2	I	G	External clock source to the sample rate generator

† I = Input, O = Output, S = Supply, Z = High impedance

‡ Other Pin Characteristics:

- | | |
|--|---|
| A – Internal pullup (always enabled) | E – Pin is high impedance in HOLD mode (due to $\overline{\text{HOLD}}$ pin). |
| B – Internal pulldown (always enabled) | F – Pin is high impedance in OFF mode (due to EMU1/OFF pin). |
| C – Hysteresis input | G – Pin can be configured as a general-purpose input. |
| D – Pin has bus holder | H – Pin can be configured as a general-purpose output. |
| J – Internal pullup enabled by the HPE bit in the system register (SYSR) | |
| K – Internal pulldown enabled by the HPE bit in the system register (SYSR) | |

Table 2–2. Signal Descriptions (Continued)

SIGNAL NAME	TYPE†	OTHER‡	DESCRIPTION
ENHANCED HOST-PORT INTERFACE (EHPI)			
HA[19:3] HA2/HAS HA1/HCNTL1 HA0	I	J	<p>Host address bus:</p> <p>In <i>non-multiplexed mode</i> (HMODE pin high): HA[19:0] functions as the host address bus only</p> <p>In <i>multiplexed mode</i> (HMODE pin low): HA[19:3] are disabled HA2/HAS functions as $\overline{\text{HAS}}$ (Host Address Strobe). Hosts with multiplexed address and data pins may require HAS to latch the address in the HPIA register. HA1/HCNTL1 functions as HCNTL1 (Host Control Input) and with HCNTL0 determines the type of transaction being performed.</p>
HD[15:0]	I/O/Z	D,F	<p>Host data bus. Provides data exchange between the host and C55x EHPI. The bus holders on HD[15:0] are controlled by the HBH bit in the system register (SYSR).</p>
$\overline{\text{HCS}}$	I	J	<p>Host chip select. $\overline{\text{HCS}}$ is the select input for the EHPI and must be driven low during accesses. If the EHPI is not used, HCS must be driven high.</p>
HA2/ $\overline{\text{HAS}}$	I	J	<p>Host address strobe. Operates as $\overline{\text{HAS}}$ when HMODE is low (multiplexed mode). Hosts with multiplexed address and data pins may require HAS to latch the address in the HPIA register.</p>
HR/ $\overline{\text{W}}$	I	J	<p>Host read or write select. Controls the direction of the EHPI transfer.</p>
$\overline{\text{HDS1}}$ $\overline{\text{HDS2}}$	I	J	<p>Host data strobes. $\overline{\text{HDS1}}$ and $\overline{\text{HDS2}}$ are driven by the host read and write strobes to control data transfers.</p>
HRDY	O/Z	F,J	<p>Host ready (from DSP to host). HRDY informs the host when the EHPI is ready for the next transfer.</p>
$\overline{\text{HBE0}}$ $\overline{\text{HBE1}}$	I	K	<p>EHPI byte enables. $\overline{\text{HBE0}}$ and $\overline{\text{HBE1}}$ are driven low selectively by the host to indicate whether the transaction involves the lower byte only, the upper byte only, or both.</p> <p>As of revision 2.1, the byte-enable function on the EHPI will no longer be supported. These pins must be driven low by an external device, by external pulldown resistors or by the internal pulldown circuit controlled by the HPE bit in the SYSR register.</p>
HMODE	I	J	<p>Host multiplexed/non-multiplexed mode select. When HMODE is high, the EHPI operates in nonmultiplexed mode. When HMODE is low, the EHPI operates in multiplexed mode.</p>
HCNTL0 HA1/HCNTL1	I	J	<p>Host control selects. HCNTL0 and HCNTL1 select host accesses to EHPI address, data or control registers. HA1/HCNTL1 operates as HCNTL when HMODE is low (multiplexed mode).</p>
$\overline{\text{HINT}}$	O/Z	F	<p>Host interrupt (from DSP to host). This output is used to interrupt the host. $\overline{\text{HINT}}$ is high following reset.</p>

† I = Input, O = Output, S = Supply, Z = High impedance

‡ Other Pin Characteristics:

- | | |
|--|---|
| A – Internal pullup (always enabled) | E – Pin is high impedance in HOLD mode (due to $\overline{\text{HOLD}}$ pin). |
| B – Internal pulldown (always enabled) | F – Pin is high impedance in OFF mode (due to EMU1/ $\overline{\text{OFF}}$ pin). |
| C – Hysteresis input | G – Pin can be configured as a general-purpose input. |
| D – Pin has bus holder | H – Pin can be configured as a general-purpose output. |
| J – Internal pullup enabled by the HPE bit in the system register (SYSR) | |
| K – Internal pulldown enabled by the HPE bit in the system register (SYSR) | |

Table 2–2. Signal Descriptions (Continued)

SIGNAL NAME	TYPE†	OTHER‡	DESCRIPTION
INTERRUPT AND RESET SIGNALS			
$\overline{\text{RESET}}$	I	C	Device reset. $\overline{\text{RESET}}$ causes the DSP to terminate execution and causes reinitialization of the CPU and peripherals. The response of the DSP after reset is determined by the RST_MODE pin.
RST_MODE	I		Device reset mode control. RST_MODE controls how a device reset is handled. As of revision 2.1, the RST_MODE function will no longer be supported. RST_MODE will be driven low internally. After reset, the CPU will branch to the reset vector and begin execution. The external state of the RST_MODE pin will have no effect on device operation.
$\overline{\text{INT0}}$ $\overline{\text{INT1}}$ $\overline{\text{INT2}}$ $\overline{\text{INT3}}$ $\overline{\text{INT4}}$ $\overline{\text{INT5}}$	I	C	Maskable external interrupts. $\overline{\text{INT0}}$ – $\overline{\text{INT5}}$ are prioritized and are maskable via the interrupt enable registers (IER0 and IER1) and the Interrupt Mode bit (INTM in ST1_55). $\overline{\text{INT0}}$ – $\overline{\text{INT5}}$ can be polled and reset via the Interrupt Flag Registers (IFR0 and IFR1).
$\overline{\text{NMI}}$	I	C	Nonmaskable external interrupt. $\overline{\text{NMI}}$ is an external interrupt that cannot be masked by the interrupt enable registers (IER0 and IER1). When $\overline{\text{NMI}}$ is activated, the interrupt is always performed.
JTAG EMULATION			
TCK	I	A,C	IEEE Standard 1149.1 test clock. TCK is normally a free-running clock signal with a 50% duty cycle. The changes on the test access port (TAP) of input signals TDI and TMS are clocked into the TAP controller, instruction register, or selected test data register on the rising edge of TCK. Changes at the TAP output signal TDO occur on the falling edge of TCK.
TDI	I	A	IEEE Standard 1149.1 test data input. TDI is clocked into the selected register (instruction or data) on the rising edge of TCK.
TDO	O	–	IEEE Standard 1149.1 test data output. The contents of the selected register (instruction or data) are shifted out of TDO on the falling edge of TCK. TDO is in the high-impedance state except when the scanning of data is in progress.
TMS	I	A	IEEE Standard 1149.1 test mode select. This serial control input is clocked into the TAP controller on the rising edge of TCK.
$\overline{\text{TRST}}$	I	B	IEEE Standard 1149.1 test reset. $\overline{\text{TRST}}$, when high, gives the IEEE standard 1149.1 scan system control of the operations of the device. If $\overline{\text{TRST}}$ is not connected, or driven low, the device operates in its functional mode, and the IEEE standard 1149.1 signals are ignored. This pin has an on-chip pulldown circuit to provide control of the pin when it is not externally connected. An external pullup resistor should not be connected to this pin.

† I = Input, O = Output, S = Supply, Z = High impedance

‡ Other Pin Characteristics:

- | | |
|--|---|
| A – Internal pullup (always enabled) | E – Pin is high impedance in HOLD mode (due to $\overline{\text{HOLD}}$ pin). |
| B – Internal pulldown (always enabled) | F – Pin is high impedance in OFF mode (due to EMU1/OFF pin). |
| C – Hysteresis input | G – Pin can be configured as a general-purpose input. |
| D – Pin has bus holder | H – Pin can be configured as a general-purpose output. |
| J – Internal pullup enabled by the HPE bit in the system register (SYSR) | |
| K – Internal pulldown enabled by the HPE bit in the system register (SYSR) | |

Table 2–2. Signal Descriptions (Continued)

SIGNAL NAME	TYPE†	OTHER‡	DESCRIPTION
JTAG EMULATION (CONTINUED)			
EMU0	I/O/Z	A	Emulation pin 0. When $\overline{\text{TRST}}$ is driven low, EMU0 must be high for activation of the $\overline{\text{OFF}}$ condition. When $\overline{\text{TRST}}$ is driven high, EMU0 is used as an interrupt to or from the emulator system and is defined as input/output by way of the IEEE standard 1449.1 scan system.
EMU1/ $\overline{\text{OFF}}$	I/O/Z	A	Emulation pin 1 / disable all outputs. When $\overline{\text{TRST}}$ is driven high, EMU1/ $\overline{\text{OFF}}$ is used as an interrupt to or from the emulator system and is defined as input/output by way of the IEEE standard 1149.1 scan system. When $\overline{\text{TRST}}$ is driven low, EMU1/ $\overline{\text{OFF}}$ is configured as $\overline{\text{OFF}}$. The EMU1/ $\overline{\text{OFF}}$ signal, when active low, puts all output drivers into the high-impedance state. Note that $\overline{\text{OFF}}$ is used exclusively for testing and emulation purposes (not for multiprocessing applications). Therefore, for the $\overline{\text{OFF}}$ feature, the following apply: $\overline{\text{TRST}}$ = low EMU0 = high EMU1/ $\overline{\text{OFF}}$ = low
RSVD[1:9]	I/O		Reserved. Reserved for future emulation purposes. These pins should be left unconnected.
CLOCK SIGNALS			
CLKIN	I	C	Clock input
CLKOUT	O/Z	F	Clock output. CLKOUT can represent the internal CPU clock or can be divided down to generate a slower clock by programming the CLKDIV field in the system register (SYSR).
CLKMD	I	C	Clock mode select. CLKMD selects the mode of the clock generator after reset. When CLKMD is low after reset, the clock generator will run at the same frequency as CLKIN. If CLKMD is high after reset, the clock generator will run at one-half of the frequency of CLKIN. The clock generator can later be reprogrammed in software.
TIMERS			
TIN/TOUT0	I/O/Z	F,H	Timer 0 input/output. When configured as an output, TIN/TOUT0 generates a pulse or toggles when on-chip Timer 0 counts down to zero. When configured as an input, TIN/TOUT0 is used as a clock reference for Timer 0. The operation of this pin is configured in the timer control register (TCR0).
TIN/TOUT1		F,H	Timer 1 input/output. When configured as an output, TIN/TOUT1 generates a pulse or toggles when on-chip Timer 1 counts down to zero. When configured as an input, TIN/TOUT1 is used as a clock reference for Timer 1. The operation of this pin is configured in the timer control register (TCR1).
GENERAL-PURPOSE I/O SIGNALS			
IO7 IO6 IO5 IO4 IO3/BOOTM2 IO2/BOOTM1 IO1/BOOTM0 IO0	I/O/Z	F,G,H	General-purpose configurable inputs/outputs. IO[7:0] can be individually configured as inputs or outputs via the GPIO direction register (IODIR). Data can be read from inputs or data written to outputs via the GPIO Data Register (IODATA). In addition, the bootloader uses IO4 as an output during the boot process. For detailed information on the operation of the bootloader, see the <i>Using the TMS320VC5510 Bootloader</i> application report (literature number SPRA763). Boot Mode Selection signals. BOOTM[2:0] are sampled following reset to configure the boot mode for the DSP. These signals are shared with IO[3:1]. After boot is complete, these signals can be used as general-purpose inputs/outputs.
BOOTM3	I	A	Boot Mode Selection signal. BOOTM3 is sampled during the operation of the on-chip bootloader in conjunction with BOOTM[2:0] to configure the boot mode. BOOTM3 is not present on TMX320VC5510 revision 1.x.
XF	O/Z	F,H	External flag output

† I = Input, O = Output, S = Supply, Z = High impedance

‡ Other Pin Characteristics:

- | | |
|--|---|
| A – Internal pullup (always enabled) | E – Pin is high impedance in HOLD mode (due to $\overline{\text{HOLD}}$ pin). |
| B – Internal pulldown (always enabled) | F – Pin is high impedance in OFF mode (due to EMU1/ $\overline{\text{OFF}}$ pin). |
| C – Hysteresis input | G – Pin can be configured as a general-purpose input. |
| D – Pin has bus holder | H – Pin can be configured as a general-purpose output. |
| J – Internal pullup enabled by the HPE bit in the system register (SYSR) | |
| K – Internal pulldown enabled by the HPE bit in the system register (SYSR) | |

Table 2–2. Signal Descriptions (Continued)

SIGNAL NAME	TYPE†	OTHER‡	DESCRIPTION
SUPPLY VOLTAGE PINS			
CVDD	S		Dedicated power supply for the internal logic (CPU and peripherals)
DVDD	S		Dedicated power supply for the I/O pins
VSS	S		Ground
MISCELLANEOUS PINS			
NC			No connection – do not connect

† I = Input, O = Output, S = Supply, Z = High impedance

‡ Other Pin Characteristics:

- | | |
|--|---|
| A – Internal pullup (always enabled) | E – Pin is high impedance in HOLD mode (due to $\overline{\text{HOLD}}$ pin). |
| B – Internal pulldown (always enabled) | F – Pin is high impedance in OFF mode (due to EMU1/ $\overline{\text{OFF}}$ pin). |
| C – Hysteresis input | G – Pin can be configured as a general-purpose input. |
| D – Pin has bus holder | H – Pin can be configured as a general-purpose output. |
| J – Internal pullup enabled by the HPE bit in the system register (SYSR) | |
| K – Internal pulldown enabled by the HPE bit in the system register (SYSR) | |

3 Functional Overview

The following functional overview is based on the block diagram in Figure 3–1.

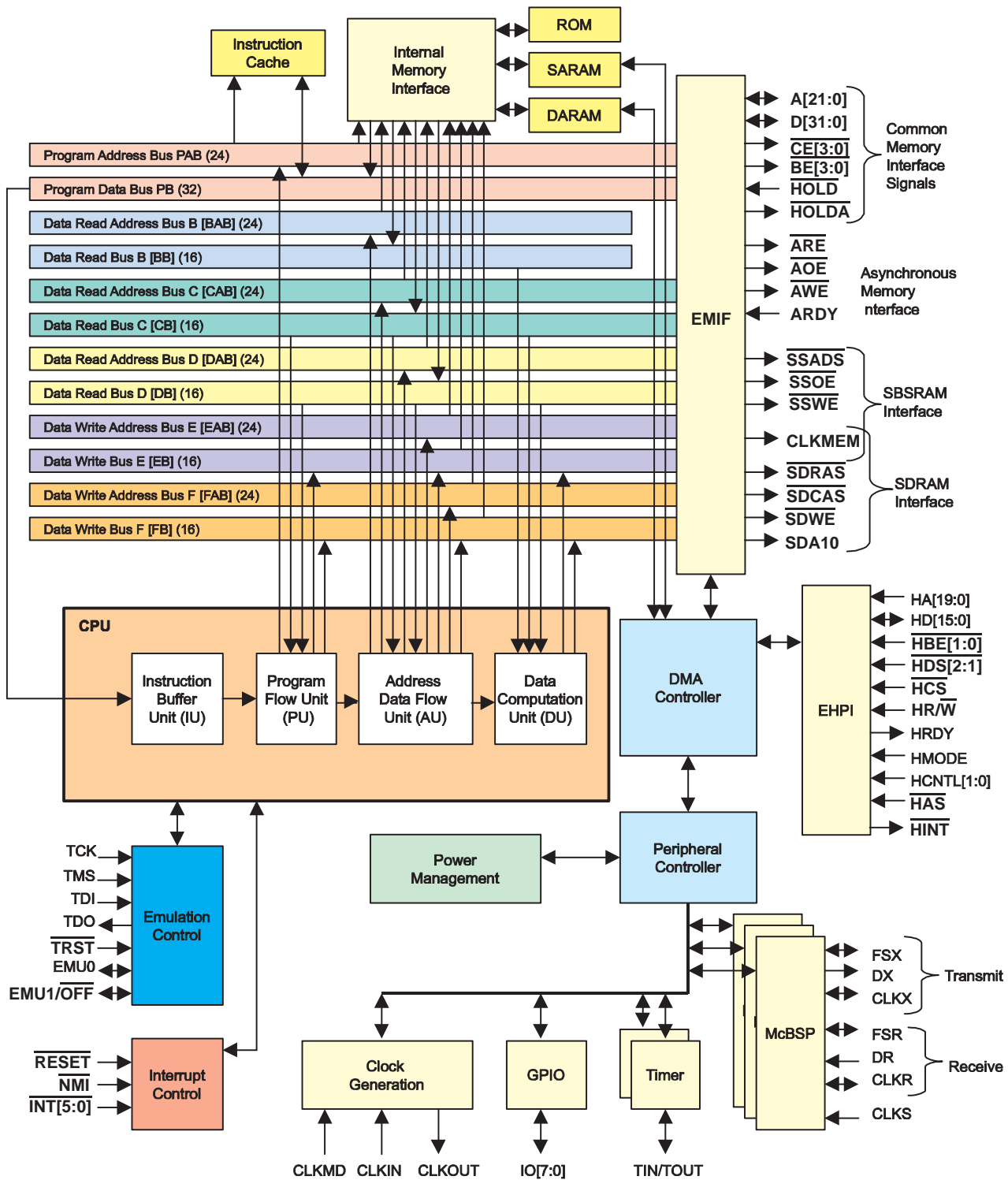


Figure 3–1. 320VC5510 Functional Block Diagram

3.1 Memory

The 5510 supports a unified memory map (program and data accesses are made to the same physical space). The total on-chip memory is 352K bytes (176K 16-bit words).

3.1.1 On-Chip Dual-Access RAM (DARAM)

The DARAM is located in the byte address range 000000h–00FFFFh and is composed of eight blocks of 8K-bytes each (see Table 3–1). Each DARAM block can perform two accesses per cycle (two reads, two writes, or a read and a write). DARAM can be accessed by the internal program, data, or DMA buses.

Table 3–1. DARAM Blocks

BYTE ADDRESS RANGE	MEMORY BLOCK
000000h – 001FFFh	DARAM 0
002000h – 003FFFh	DARAM 1
004000h – 005FFFh	DARAM 2
006000h – 007FFFh	DARAM 3
008000h – 009FFFh	DARAM 4
00A000h – 00BFFFh	DARAM 5
00C000h – 00DFFFh	DARAM 6
00E000h – 00FFFFh	DARAM 7

3.1.2 On-Chip Single-Access RAM (SARAM)

The SARAM is located at the byte address range 010000h–04FFFFh and is composed of 32 blocks of 8K-bytes each (see Table 3–2). Each SARAM block can perform one access per cycle (one read or one write). SARAM can be accessed by the internal program, data, or DMA buses.

Table 3–2. SARAM Blocks

BYTE ADDRESS RANGE	MEMORY BLOCK	BYTE ADDRESS RANGE	MEMORY BLOCK
010000h – 011FFFh	SARAM 0	030000h – 031FFFh	SARAM 16
012000h – 013FFFh	SARAM 1	032000h – 033FFFh	SARAM 17
014000h – 015FFFh	SARAM 2	034000h – 035FFFh	SARAM 18
016000h – 017FFFh	SARAM 3	036000h – 037FFFh	SARAM 19
018000h – 019FFFh	SARAM 4	038000h – 039FFFh	SARAM 20
01A000h – 01BFFFh	SARAM 5	03A000h – 03BFFFh	SARAM 21
01C000h – 01DFFFh	SARAM 6	03C000h – 03DFFFh	SARAM 22
01E000h – 01FFFFh	SARAM 7	03E000h – 03FFFFh	SARAM 23
020000h – 021FFFh	SARAM 8	040000h – 041FFFh	SARAM 24
022000h – 023FFFh	SARAM 9	042000h – 043FFFh	SARAM 25
024000h – 025FFFh	SARAM 10	044000h – 045FFFh	SARAM 26
026000h – 027FFFh	SARAM 11	046000h – 047FFFh	SARAM 27
028000h – 029FFFh	SARAM 12	048000h – 049FFFh	SARAM 28
02A000h – 02BFFFh	SARAM 13	04A000h – 04BFFFh	SARAM 29
02C000h – 02DFFFh	SARAM 14	04C000h – 04DFFFh	SARAM 30
02E000h – 02FFFFh	SARAM 15	04E000h – 04FFFFh	SARAM 31

3.1.3 On-Chip ROM

The ROM is located at the byte address range FF8000h–FFFFFFh when $MP/\overline{MC} = 0$ at reset. The ROM is composed of a single block of 32K bytes. When $MP/\overline{MC} = 1$ at reset, the on-chip ROM is disabled and not present in the memory map, and byte address range FF8000h–FFFFFFh is directed to external memory space. MP/\overline{MC} is a bit located in the ST3 status register, and its status is determined by the logic level on the BOOTM[2:0] pins when sampled at reset. If BOOTM[2:0] are all logic 0 at reset, the MP/\overline{MC} bit is set to 1 and the on-chip ROM is disabled; otherwise, the MP/\overline{MC} bit is cleared to 0 and the on-chip ROM is enabled. These pins are not sampled again until the next hardware reset. The software reset instruction does not affect the MP/\overline{MC} bit. Software can also be used to set or clear the MP/\overline{MC} bit. ROM can be accessed by the program, data, or DMA buses. The first 16-bit word access to ROM requires three cycles. Subsequent accesses require two cycles per 16-bit word.

The standard on-chip ROM contains a bootloader which provides a variety of methods to load application code automatically after power up or a hardware reset. For more information, see Section 3.1.5 of this document. The vector table associated with the bootloader is also contained in the ROM.

A sine look-up table is provided containing 256 values (crossing 360 degrees) expressed in Q15 format.

The remaining components are used during factory testing purposes.

Table 3–3. Standard On-Chip ROM Contents

BYTE ADDRESS RANGE	DESCRIPTION
FF8000h – FF8FFFh	Bootloader
FF9000h – FFF9FFFh	Reserved
FFFA00h – FFFBFFFh	Sine look-up table
FFFC00h – FFFEFFFh	Factory Test Code
FFFF00h – FFFFFBh	Vector Table
FFFFCh – FFFFFFFh	ID Code

3.1.4 Instruction Cache

The 24K-byte instruction cache provides three configurations:

- One 2-way cache block only
- One 2-way cache block plus one RAMSET block
- One 2-way cache block plus two RAMSET blocks

The 2-way cache uses 2-way set associative mapping and holds up to 16K bytes. It is organized as 512 sets of two cache lines per set. Each cache line contains 16 bytes. Each tag has two corresponding cache lines, providing two opportunities for a hit on a given tag. The 2-way cache is updated based on a least-recently-used algorithm.

Each RAMSET block provides a 4K-byte bank of memory to hold a continuous image of code. Each RAMSET is composed of 256 lines with 16 bytes per line. Each RAMSET uses a single tag to define a continuous memory image in the RAMSET. The tag defines the start address of the RAMSET. Once the TAG is loaded, the RAMSET is filled. The RAMSET contents remain constant until the tag is changed. The RAMSETs provide an efficient method to cache frequently used functions.

Control bits in CPU status register ST3_55 provide the ability to enable, freeze, and flush the cache.

For more information on the instruction cache, see the *TMS320C5510 DSP Instruction Cache Reference Guide* (literature number SPRU576).

3.1.5 Memory Map

Byte Address [†] (Hex)	Memory Blocks	Block Length
000000	DARAM [‡] (8 blocks)	65,536 bytes
010000	SARAM [§] (32 blocks)	262,144 bytes
050000	External [¶] – $\overline{CE0}$	3,866,624 bytes
400000	External [¶] – $\overline{CE1}$	4,194,304 bytes
800000	External [¶] – $\overline{CE2}$	4,194,304 bytes
C00000	External [¶] – $\overline{CE3}$	4,161,536 bytes
FF8000	ROM [#] if MP/MC=0 (1 block)	32,768 bytes
FFFFFF	External [¶] – $\overline{CE3}$ if MP/MC=1	

[†] Address shown represents the first byte address in each block.

[‡] Dual-access RAM (DARAM): two accesses per cycle per block, 8 blocks of 8K bytes.

[§] Single-access RAM (SARAM): one access per cycle per block, 32 blocks of 8K bytes.

[¶] External memory spaces are selected by the chip-enable signal shown ($\overline{CE}[0:3]$).

Supported memory types include: asynchronous, synchronous DRAM (SDRAM), and synchronous burst SRAM (SBSRAM).

[#] Read-only memory (ROM): one access every two cycles, one block of 32K bytes.

Figure 3–2. 320VC5510 Memory Map

3.1.6 Bootloader

The on-chip bootloader provides a method to transfer application code and tables from an external source to the on-chip RAM at power up. The 5510 provides several options to download the code to accommodate varying system requirements. These options include:

- Enhanced Host-Port Interface (EHPI) boot
- External memory boot from 8-/16-/32-bit-wide asynchronous memory
- Serial slave boot from McBSP0 with 8- or 16-bit element length
- Serial EEPROM boot from McBSP0 in 8-bit SPI format

External pins BOOTM3, BOOTM2, BOOTM1, and BOOTM0 select the boot configuration. The values of BOOTM[2:0] are latched with the rising edge of the \overline{RESET} input. BOOTM[0] is shared with general-purpose IO1. BOOTM[1] is shared with general-purpose IO2. BOOTM[2] is shared with general-purpose IO3.

The boot configurations available are summarized in Table 3–4. For detailed information on the bootloader functions, refer to the *Using the TMS320VC5510 Bootloader* Application Report (literature number SPRA763).

Table 3–4. 320VC5510 Boot Configurations

BOOTM[3:0]	BOOT PROCESS	EXECUTION START BYTE ADDRESS AFTER BOOT IS COMPLETE
0000	No boot	FFFF00h (reset vector)
0001	Serial SPI EEPROM boot from McBSP0 supporting 24-bit address	Destination specified in the boot table
0010	Reserved	–
0011	Reserved	–
0100	Reserved	–
0101	Reserved	–
0110	Reserved	–
0111	Reserved	–
1000	No boot	FFFF00h (reset vector)
1001	Serial SPI EEPROM boot from McBSP0 supporting 16-bit address	Destination specified in the boot table
1010	Parallel EMIF boot from 8-bit asynchronous memory	Destination specified in the boot table
1011	Parallel EMIF boot from 16-bit asynchronous memory	Destination specified in the boot table
1100	Parallel EMIF boot from 32-bit asynchronous memory	Destination specified in the boot table
1101	EHPI boot	010000h (on-chip SARAM)
1110	Standard serial boot from McBSP0, 16-bit element length	Destination specified in the boot table
1111	Standard serial boot from McBSP0, 8-bit element length	Destination specified in the boot table

3.2 Peripherals

The 5510 supports the following peripherals:

- An external memory interface (EMIF)
- A six-channel direct memory access (DMA) controller
- 16-bit parallel Enhanced Host-Port Interface (EHPI)
- A digital phase-locked loop (DPLL) clock generator
- Two timers
- Three multichannel buffered serial ports (McBSPs)
- Eight configurable general-purpose I/O pins

Peripheral information specific to the 5510 peripherals is included in the following sections. For detailed information on the C55x™ DSP peripherals, see the following documents:

- *TMS320C55x™ DSP Functional Overview* (literature number SPRU312)
- *TMS320C55x DSP Peripherals Reference Guide* (literature number SPRU317)

3.2.1 System Register (SYSR)

The 5510 system register (SYSR) provides control over certain device-specific functions. SYSR is located at port address 07FDh.

15	10	9	8	7	6	5	4	3	2	0
Reserved	HPE	BH	HBH	BOOTM3	Reserved	Reserved	Reserved	Reserved	CLKDIV	
R-000000	R/W-1	R/W-0	R/W-0	R-0	R-0	R/W-0	R/W-0	R/W-0	R/W-000	

LEGEND: R = Read, W = Write, *n* = value after reset

Figure 3–3. System Register (SYSR) Bit Layout

Table 3–5. System Register (SYSR) Bit Functions

BIT NO.	BIT NAME	RESET VALUE	FUNCTION
15–10	Reserved	000000	These bits are reserved and are unaffected by writes.
9	HPE	1	EHPI pullup/pulldown enable. Enables the internal pullups on the EHPI control pins \overline{HCS} , \overline{HAS} , $\overline{HR/W}$, \overline{HMODE} , $\overline{HCNTL0}$, and $\overline{HA1/HCNTL1}$. Enables the internal pulldowns on EHPI control pins $\overline{HBE0}$ and $\overline{HBE1}$. HPE = 0 Pullups and pulldowns disabled HPE = 1 Pullups and pulldowns enabled.
8	BH	0	EMIF data bus holder enable. Enables internal bus holders on D[31:0]. BH = 0 EMIF data bus holders disabled. BH = 1 EMIF data bus holders enabled.
7	HBH	0	EHPI data bus holder enable. Enables internal bus holders on HD[15:0]. HBH = 0 EHPI data bus holders disabled. HBH = 1 EHPI data bus holders enabled.
6	BOOTM3	0	BOOTM3 status. This read-only bit represents the state of the BOOTM3 pin.
5	Reserved	0	This bit is reserved and is unaffected by writes.
4	Reserved	0	This bit is reserved and must be written as 0.
3	Reserved	0	This bit is reserved and is unaffected by writes.
2–0	CLKDIV	000	CLKOUT divide factor. Allows the clock present on the CLKOUT pin to be a divided-down version of the internal CPU clock. This field does not affect the programming of the PLL CLKDIV = 000 CLKOUT represents the CPU clock divided by 1 CLKDIV = 001 CLKOUT represents the CPU clock divided by 2 CLKDIV = 010 CLKOUT represents the CPU clock divided by 4 CLKDIV = 011 CLKOUT represents the CPU clock divided by 6 CLKDIV = 100 CLKOUT represents the CPU clock divided by 8 CLKDIV = 101 CLKOUT represents the CPU clock divided by 10 CLKDIV = 110 CLKOUT represents the CPU clock divided by 12 CLKDIV = 111 CLKOUT represents the CPU clock divided by 14

3.2.2 Direct Memory Access (DMA)

The 5510 DMA provides the following features:

- Four standard ports, one for each of the following data resources: DARAM, SARAM, Peripherals, and External Memory
- Six channels, which allow the DMA controller to track the context of six independent DMA channels
- Programmable low/high priority for each DMA channel
- One interrupt for each DMA channel
- Event synchronization. DMA transfers in each channel can be dependent on the occurrence of selected events.
- Programmable address modification for source and destination addresses
- Dedicated Idle Domain allows the DMA controller to be placed in a low-power (idle) state under software control.
- DMA controller supports EHPI accesses to internal/external memory

The 5510 DMA controller allows transfers to be synchronized to selected events. The 5510 supports 14 separate sync events and each channel can be tied to separate sync events independent of the other channels. Sync events are selected by programming the SYNC field in the channel-specific DMA Channel Control Register (DMA_CCR). The sync events available on the 5510 are shown in Table 3–6.

Table 3–6. DMA Sync Events

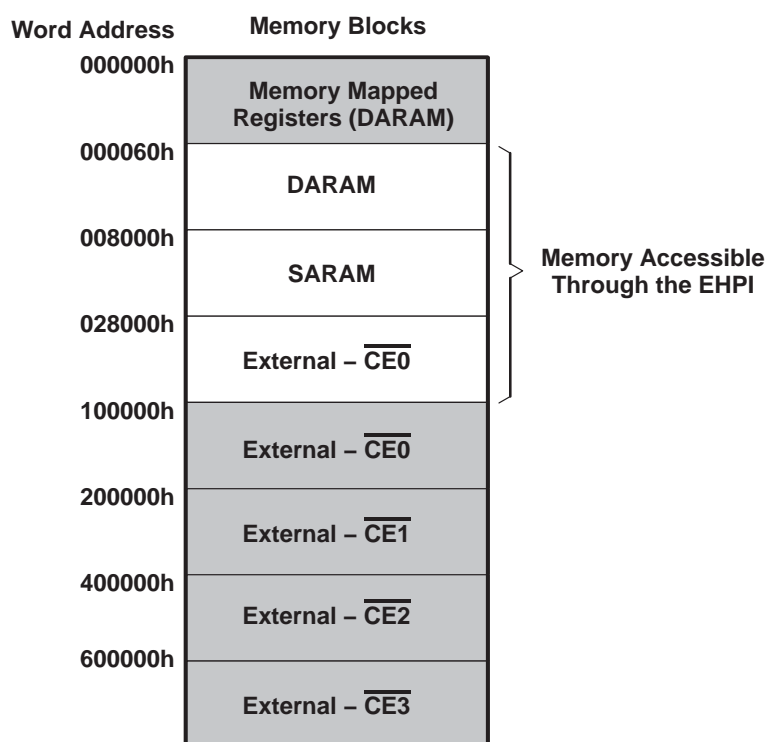
SYNC FIELD IN DMA_CCR	SYNC EVENT
00000b	No sync event
00001b	McBSP0 receive event (REVT0)
00010b	McBSP0 transmit event (XEVT0)
00101b	McBSP1 receive event (REVT1)
00110b	McBSP1 transmit event (XEVT1)
01001b	McBSP2 receive event (REVT2)
01010b	McBSP2 transmit event (XEVT2)
01101b	Timer 0 event
01110b	Timer 1 event
01111b	External Interrupt 0
10000b	External Interrupt 1
10001b	External Interrupt 2
10010b	External Interrupt 3
10011b	External Interrupt 4
10100b	External Interrupt 5
Other values	Reserved (do not use these values)

3.2.3 Enhanced Host Port Interface (EHPI)

The 5510 EHPI provides a 16-bit parallel interface to a host with the following features:

- 20-bit host address bus
- 16-bit host data bus
- Multiplexed and non-multiplexed bus modes
- Host access to on-chip SARAM, on-chip DARAM, and external memory
- 20-bit address register (in multiplexed mode) with autoincrement capability for faster transfers
- Multiple address/data strobes provide a glueless interface to a variety of hosts
- HRDY signal for handshaking with host

The 5510 EHPI can access internal DARAM, internal SARAM and a portion of the external memory space. The EHPI cannot directly access the on-chip peripherals and cannot access the memory-mapped registers below word address 000060h in DARAM. Note that all memory accesses made through the EHPI are word-addressed. A map of the memory space accessible by the EHPI is shown in Figure 3–4. The EHPI can access from word address 000060h to 0FFFFFFh. The shaded areas of the memory map are not accessible by the EHPI.



NOTE A: The shaded areas of the memory map are not accessible by the EHPI.

Figure 3–4. EHPI Memory Map

When the EHPI inputs are uncontrolled, noise on the inputs can cause spurious accesses that may corrupt internal memory. If the EHPI is not driven by a host, the \overline{HCS} pin should be driven high by one of the following methods:

- An external device
- External pullup resistor, or
- The on-chip pullup circuit controlled by the HPE bit in the System Register (SYSR). See Section 3.2.1 for more information on how to configure this control.

As of revision 2.1, the byte-enable function of the EHPI is no longer supported. Pins $\overline{HBE0}$ and $\overline{HBE1}$ must be driven low at all times.

3.2.4 General-Purpose Input/Output Port (GPIO)

The 5510 provides eight dedicated general-purpose input/output pins, IO0–IO7. Each pin can be independently configured as an input or an output using the I/O Direction Register (IODIR). The I/O Data Register (IODATA) is used to monitor the logic state of pins configured as inputs and control the logic state of pins configured as outputs. IODIR and IODATA are accessible to the CPU and to the DMA controller at addresses in I/O space. See Table 3–19 for address information. The description of the IODIR is shown in Figure 3–5 and Table 3–7. The description of IODATA is shown in Figure 3–6 and Table 3–8.

To configure a GPIO pin as an input, clear the direction bit that corresponds to the pin in IODIR to 0. To read the logic state of the input pin, read the corresponding bit in IODATA.

To configure a GPIO pin as an output, set the direction bit that corresponds to the pin in IODIR to 1. To control the logic state of the output pin, write to the corresponding bit in IODATA.

15	8	7	6	5	4	3	2	1	0
Reserved		IO7DIR	IO6DIR	IO5DIR	IO4DIR	IO3DIR	IO2DIR	IO1DIR	IO0DIR
R–00000000		R/W–0	R/W–0	R/W–0	R/W–0	R/W–0	R/W–0	R/W–0	R/W–0

LEGEND: R = Read, W = Write, *n* = value after reset

Figure 3–5. I/O Direction Register (IODIR) Bit Layout

Table 3–7. I/O Direction Register (IODIR) Bit Functions

BIT NO.	BIT NAME	RESET VALUE	FUNCTION
15–8	Reserved	0	These bits are reserved and are unaffected by writes.
7–0	IOxDIR	0	IOx Direction Control Bit. Controls whether IOx operates as an input or an output. IOxDIR = 0 IOx is configured as an input. IOxDIR = 1 IOx is configured as an output.

15	8	7	6	5	4	3	2	1	0
Reserved		IO7D	IO6D	IO5D	IO4D	IO3D	IO2D	IO1D	IO0D
R–00000000		R/W–pin	R/W–pin	R/W–pin	R/W–pin	R/W–pin	R/W–pin	R/W–pin	R/W–pin

LEGEND: R = Read, W = Write, *pin* = value present on the pin (IO7–IO0 default to inputs after reset)

Figure 3–6. I/O Data Register (IODATA) Bit Layout

Table 3–8. I/O Data Register (IODATA) Bit Functions

BIT NO.	BIT NAME	RESET VALUE	FUNCTION
15–8	Reserved	0	These bits are reserved and are unaffected by writes.
7–0	IOxD	pin†	IOx Data Bit. If IOx is configured as an input (IOxDIR = 0 in IODIR): IOxD = 0 The signal on the IOx pin is low. IOxD = 1 The signal on the IOx pin is high. If IOx is configured as an output (IOxDIR = 1 in IODIR): IOxD = 0 Drive the signal on the IOx pin low. IOxD = 1 Drive the signal on the IOx pin high.

† *pin* = value present on the pin (IO7–IO0 default to inputs after reset)

3.3 CPU Register Description

The 5510 CPU registers are shown in Table 3–9. For code compatibility, many TMS320C55x (C55x) CPU registers map to comparable TMS320C54x™ (C54x™) CPU register addresses. The corresponding TMS320C54x (C54x) CPU registers are indicated in these instances.

Table 3–9. CPU Registers

C54x REGISTER	VC5510 REGISTER	WORD ADDRESS (HEX)	DESCRIPTION
IMR	IER0	00	Interrupt Mask Register 0
IFR	IFR0	01	Interrupt Flag Register 0
–	ST0_55	02	Status Register 0 for C55x
–	ST1_55	03	Status Register 1 for C55x
–	ST3_55	04	Status Register 3 for C55x
–	–	05	Reserved
ST0	ST0	06	Status Register ST0 (for 54x compatibility)
ST1	ST1	07	Status Register ST1 (for 54x compatibility)
AL	AC0L	08	Accumulator 0 (equivalent to Accumulator A on C54x)
AH	AC0H	09	
AG	AC0G	0A	
BL	AC1L	0B	Accumulator 1 (equivalent to Accumulator A on C54x)
BH	AC1H	0C	
BG	AC1G	0D	
TREG	T3	0E	Temporary Register
TRN	TRN0	0F	Transition Register
AR0	AR0	10	Auxiliary Register 0
AR1	AR1	11	Auxiliary Register 1
AR2	AR2	12	Auxiliary Register 2
AR3	AR3	13	Auxiliary Register 3
AR4	AR4	14	Auxiliary Register 4
AR5	AR5	15	Auxiliary Register 5
AR6	AR6	16	Auxiliary Register 6
AR7	AR7	17	Auxiliary Register 7
SP	SP	18	Stack Pointer Register
BK	BK03	19	Circular Buffer Size Register
BRC	BRC0	1A	Block Repeat Counter
RSA	RSA0L	1B	Block Repeat Start Address
REA	REA0L	1C	Block Repeat End Address
PMST	PMST	1D	Processor Mode Status Register
XPC	XPC	1E	Program Counter Extension Register
–	–	1F	Reserved
–	T0	20	Temporary Data Register 0
–	T1	21	Temporary Data Register 1
–	T2	22	Temporary Data Register 2
–	T3	23	Temporary Data Register 3

TMS320C54x and C54x are trademarks of Texas Instruments.

Table 3–9. CPU Registers (Continued)

C54x REGISTER	VC5510 REGISTER	WORD ADDRESS (HEX)	DESCRIPTION
–	AC2L	24	Accumulator 2
–	AC2H	25	
–	AC2G	26	
–	CDP	27	Coefficient Data Pointer
–	AC3L	28	Accumulator 3
–	AC3H	29	
–	AC3G	2A	
–	DPH	2B	Extended Data Page Pointer
–	MDP05	2C	Reserved
–	MDP67	2D	Reserved
–	DP	2E	Memory Data Page Start Address
–	PDP	2F	Peripheral Data Page Start Address
–	BK47	30	Circular Buffer Size Register for AR[4–7]
–	BKC	31	Circular Buffer Size Register for CDP
–	BSA01	32	Circular Buffer Start Address Register for AR[0–1]
–	BSA23	33	Circular Buffer Start Address Register for AR[2–3]
–	BSA45	34	Circular Buffer Start Address Register for AR[4–5]
–	BSA67	35	Circular Buffer Start Address Register for AR[6–7]
–	BSAC	36	Circular Buffer Coefficient Start Address Register
–	BIOS	37	Data Page Pointer Storage Location for 128-word Data Table
–	TRN1	38	Transition Register 1
–	BRC1	39	Block Repeat Counter 1
–	BRS1	3A	Block Repeat Save 1
–	CSR	3B	Computed Single Repeat
–	RSA0H	3C	Repeat Start Address 0
–	RSA0L	3D	
–	REA0H	3E	Repeat End Address 0
–	REA0L	3F	
–	RSA1H	40	Repeat Start Address 1
–	RSA1L	41	
–	REA1H	42	Repeat End Address 1
–	REA1L	43	
–	RPTC	44	Repeat Counter
–	IER1	45	Interrupt Mask Register 1
–	IFR1	46	Interrupt Flag Register 1
–	DBIER0	47	Debug IER0
–	DBIER1	48	Debug IER1
–	IVPD	49	Interrupt Vector Pointer DSP
–	IVPH	4A	Interrupt Vector Pointer HOST
–	ST2_55	4B	Status Register 2 for C55x
–	SSP	4C	System Stack Pointer
–	SP	4D	User Stack Pointer
–	SPH	4E	Extended Data Page Pointer for the SP and the SSP
–	CDPH	4F	Main Data Page Pointer for the CDP

3.4 Peripheral Register Description

Peripheral registers on the 5510 are accessed using the port qualifier. For more information on the use of the port qualifier, see the *TMS320C55x Assembly Language Tools User's Guide* (literature number SPRU280). For detailed information on the operation of the peripherals and the functions of each of the peripheral registers, refer to the *TMS320C55x DSP Peripherals Reference Guide* (literature number SPRU317).

Table 3–10. Peripheral Bus Controller Configuration Registers

PORT ADDRESS	REGISTER NAME	DESCRIPTION
0x0001	ICR	Idle Control Register
0x0002	ISTR	Idle Status Register
0x000F	BOOT_MOD	Boot Mode Register (read only)

Table 3–11. Instruction Cache Registers

PORT ADDRESS	REGISTER NAME	DESCRIPTION
0x1400	ICGC	I-Cache Global Control Register
0x1401	ICFL0	I-Cache Flush Line Address Register 0
0x1402	ICFL1	I-Cache Flush Line Address Register 1
0x1403	ICWC	I-Cache N-Way Control Register
0x1404	ICSTAT	I-Cache Status Register
0x1405	ICRC1	I-Cache Ramset 1 Control Register
0x1406	ICRTAG1	I-Cache Ramset 1 Tag Register
0x1407	ICRC2	I-Cache Ramset 2 Control Register
0x1408	ICRTAG2	I-Cache Ramset 2 Tag Register

Table 3–12. External Memory Interface Registers

PORT ADDRESS	REGISTER NAME	DESCRIPTION
0x0800	EGCR	EMIF Global Control Register
0x0801	EMI_RST	EMIF Global Reset Register
0x0802	EMI_BE	EMIF Bus Error Status Register
0x0803	CE0_1	EMIF CE0 Space Control Register 1
0x0804	CE0_2	EMIF CE0 Space Control Register 2
0x0805	CE0_3	EMIF CE0 Space Control Register 3
0x0806	CE1_1	EMIF CE1 Space Control Register 1
0x0807	CE1_2	EMIF CE1 Space Control Register 2
0x0808	CE1_3	EMIF CE1 Space Control Register 3
0x0809	CE2_1	EMIF CE2 Space Control Register 1
0x080A	CE2_2	EMIF CE2 Space Control Register 2
0x080B	CE2_3	EMIF CE2 Space Control Register 3
0x080C	CE3_1	EMIF CE3 Space Control Register 1
0x080D	CE3_2	EMIF CE3 Space Control Register 2
0x080E	CE3_3	EMIF CE3 Space Control Register 3
0x080F	SDC1	EMIF SDRAM Control Register 1
0x0810	SDPER	EMIF SDRAM Period Register
0x0811	SDCNT	EMIF SDRAM Counter Register
0x0812	INIT	EMIF SDRAM Init Register
0x0813	SDC2	EMIF SDRAM Control Register 2

Table 3–13. DMA Configuration Registers

PORT ADDRESS	REGISTER NAME	DESCRIPTION
GLOBAL REGISTER		
0x0E00	DMA_GCR	DMA Global Control Register
0x0E02	DMA_GSCR	DMA Software Compatibility Register
0x0E03	DMA_GTCR	DMA Timeout Control Register
CHANNEL #0 REGISTERS		
0x0C00	DMA_CSDP0	DMA Channel 0 Source / Destination Parameters Register
0x0C01	DMA_CCR0	DMA Channel 0 Control Register
0x0C02	DMA_CICR0	DMA Channel 0 Interrupt Control Register
0x0C03	DMA_CSR0	DMA Channel 0 Status Register
0x0C04	DMA_CSSA_L0	DMA Channel 0 Source Start Address Register (lower bits)
0x0C05	DMA_CSSA_U0	DMA Channel 0 Source Start Address Register (upper bits)
0x0C06	DMA_CDSA_L0	DMA Channel 0 Source Destination Address Register (lower bits)
0x0C07	DMA_CDSA_U0	DMA Channel 0 Source Destination Address Register (upper bits)
0x0C08	DMA_CEN0	DMA Channel 0 Element Number Register
0x0C09	DMA_CFN0	DMA Channel 0 Frame Number Register
0x0C0A	DMA_CFI0/ DMA_CSF10†	DMA Channel 0 Frame Index Register/ DMA Channel 0 Source Frame Index Register†
0x0C0B	DMA_CEI0/ DMA_CSEI0‡	DMA Channel 0 Element Index Register/ DMA Channel 0 Source Element Index Register‡
0x0C0C	DMA_CSAC0	DMA Channel 0 Source Address Counter
0x0C0D	DMA_CDAC0	DMA Channel 0 Destination Address Counter
0x0C0E	DMA_CDEI0	DMA Channel 0 Destination Element Index Register
0x0C0F	DMA_CDFI0	DMA Channel 0 Destination Frame Index Register
CHANNEL #1 REGISTERS		
0x0C20	DMA_CSDP1	DMA Channel 1 Source / Destination Parameters Register
0x0C21	DMA_CCR1	DMA Channel 1 Control Register
0x0C22	DMA_CICR1	DMA Channel 1 Interrupt Control Register
0x0C23	DMA_CSR1	DMA Channel 1 Status Register
0x0C24	DMA_CSSA_L1	DMA Channel 1 Source Start Address Register (lower bits)
0x0C25	DMA_CSSA_U1	DMA Channel 1 Source Start Address Register (upper bits)
0x0C26	DMA_CDSA_L1	DMA Channel 1 Source Destination Address Register (lower bits)
0x0C27	DMA_CDSA_U1	DMA Channel 1 Source Destination Address Register (upper bits)
0x0C28	DMA_CEN1	DMA Channel 1 Element Number Register
0x0C29	DMA_CFN1	DMA Channel 1 Frame Number Register
0x0C2A	DMA_CFI1/ DMA_CSF11†	DMA Channel 1 Frame Index Register/ DMA Channel 1 Source Frame Index Register†
0x0C2B	DMA_CEI1/ DMA_CSEI1‡	DMA Channel 1 Element Index Register/ DMA Channel 1 Source Element Index Register‡
0x0C2C	DMA_CSAC1	DMA Channel 1 Source Address Counter
0x0C2D	DMA_CDAC1	DMA Channel 1 Destination Address Counter
0x0C2E	DMA_CDEI1	DMA Channel 1 Destination Element Index Register
0x0C2F	DMA_CDFI1	DMA Channel 1 Destination Frame Index Register

† On revision 1.x, the channel frame index applies to both source and destination and this register behaves as DMA_CFI. On revision 2.0 and later, DMA_CSFIn and DMA_CDFIn provide separate source and destination frame indexing. Revisions 2.0 and later can be programmed for software compatibility with revisions 1.x through the Software Compatibility Register (DMA_GSCR).

‡ On revision 1.x, the channel element index applies to both source and destination and this register behaves as DMA_CEI. On revision 2.0 and later, DMA_CSEIn and DMA_CDEIn provide separate source and destination frame indexing. Revisions 2.0 and later can be programmed for software compatibility with revisions 1.x through the Software Compatibility Register (DMA_GSCR).

Table 3–13. DMA Configuration Registers (Continued)

PORT ADDRESS	REGISTER NAME	DESCRIPTION
CHANNEL #2 REGISTERS		
0x0C40	DMA_CSDP2	DMA Channel 2 Source / Destination Parameters Register
0x0C41	DMA_CCR2	DMA Channel 2 Control Register
0x0C42	DMA_CICR2	DMA Channel 2 Interrupt Control Register
0x0C43	DMA_CSR2	DMA Channel 2 Status Register
0x0C44	DMA_CSSA_L2	DMA Channel 2 Source Start Address Register (lower bits)
0x0C45	DMA_CSSA_U2	DMA Channel 2 Source Start Address Register (upper bits)
0x0C46	DMA_CDSA_L2	DMA Channel 2 Source Destination Address Register (lower bits)
0x0C47	DMA_CDSA_U2	DMA Channel 2 Source Destination Address Register (upper bits)
0x0C48	DMA_CEN2	DMA Channel 2 Element Number Register
0x0C49	DMA_CFN2	DMA Channel 2 Frame Number Register
0x0C4A	DMA_CFI2/ DMA_CSF12†	DMA Channel 2 Frame Index Register/ DMA Channel 2 Source Frame Index Register†
0x0C4B	DMA_CEI2/ DMA_CSEI2‡	DMA Channel 2 Element Index Register/ DMA Channel 2 Source Element Index Register‡
0x0C4C	DMA_CSAC2	DMA Channel 2 Source Address Counter
0x0C4D	DMA_CDAC2	DMA Channel 2 Destination Address Counter
0x0C4E	DMA_CDEI2	DMA Channel 2 Destination Element Index Register
0x0C4F	DMA_CDFI2	DMA Channel 2 Destination Frame Index Register
CHANNEL #3 REGISTERS		
0x0C60	DMA_CSDP3	DMA Channel 3 Source / Destination Parameters Register
0x0C61	DMA_CCR3	DMA Channel 3 Control Register
0x0C62	DMA_CICR3	DMA Channel 3 Interrupt Control Register
0x0C63	DMA_CSR3	DMA Channel 3 Status Register
0x0C64	DMA_CSSA_L3	DMA Channel 3 Source Start Address Register (lower bits)
0x0C65	DMA_CSSA_U3	DMA Channel 3 Source Start Address Register (upper bits)
0x0C66	DMA_CDSA_L3	DMA Channel 3 Source Destination Address Register (lower bits)
0x0C67	DMA_CDSA_U3	DMA Channel 3 Source Destination Address Register (upper bits)
0x0C68	DMA_CEN3	DMA Channel 3 Element Number Register
0x0C69	DMA_CFN3	DMA Channel 3 Frame Number Register
0x0C6A	DMA_CFI3/ DMA_CSF13†	DMA Channel 3 Frame Index Register/ DMA Channel 3 Source Frame Index Register†
0x0C6B	DMA_CEI3/ DMA_CSEI3‡	DMA Channel 3 Element Index Register/ DMA Channel 3 Source Element Index Register‡
0x0C6C	DMA_CSAC3	DMA Channel 3 Source Address Counter
0x0C6D	DMA_CDAC3	DMA Channel 3 Destination Address Counter
0x0C6E	DMA_CDEI3	DMA Channel 3 Destination Element Index Register
0x0C6F	DMA_CDFI3	DMA Channel 3 Destination Frame Index Register

† On revision 1.x, the channel frame index applies to both source and destination and this register behaves as DMA_CFI_n. On revision 2.0 and later, DMA_CSF_n and DMA_CDF_n provide separate source and destination frame indexing. Revisions 2.0 and later can be programmed for software compatibility with revisions 1.x through the Software Compatibility Register (DMA_GSCR).

‡ On revision 1.x, the channel element index applies to both source and destination and this register behaves as DMA_CEI_n. On revision 2.0 and later, DMA_CSE_n and DMA_CDE_n provide separate source and destination frame indexing. Revisions 2.0 and later can be programmed for software compatibility with revisions 1.x through the Software Compatibility Register (DMA_GSCR).

Table 3–13. DMA Configuration Registers (Continued)

PORT ADDRESS	REGISTER NAME	DESCRIPTION
CHANNEL #4 REGISTERS		
0x0C80	DMA_CSDP4	DMA Channel 4 Source / Destination Parameters Register
0x0C81	DMA_CCR4	DMA Channel 4 Control Register
0x0C82	DMA_CICR4	DMA Channel 4 Interrupt Control Register
0x0C83	DMA_CSR4	DMA Channel 4 Status Register
0x0C84	DMA_CSSA_L4	DMA Channel 4 Source Start Address Register (lower bits)
0x0C85	DMA_CSSA_U4	DMA Channel 4 Source Start Address Register (upper bits)
0x0C86	DMA_CDSA_L4	DMA Channel 4 Source Destination Address Register (lower bits)
0x0C87	DMA_CDSA_U4	DMA Channel 4 Source Destination Address Register (upper bits)
0x0C88	DMA_CEN4	DMA Channel 4 Element Number Register
0x0C89	DMA_CFN4	DMA Channel 4 Frame Number Register
0x0C8A	DMA_CFI4/ DMA_CSF14†	DMA Channel 4 Frame Index Register/ DMA Channel 4 Source Frame Index Register†
0x0C8B	DMA_CEI4/ DMA_CSEI4‡	DMA Channel 4 Element Index Register/ DMA Channel 4 Source Element Index Register‡
0x0C8C	DMA_CSAC4	DMA Channel 4 Source Address Counter
0x0C8D	DMA_CDAC4	DMA Channel 4 Destination Address Counter
0x0C8E	DMA_CDEI4	DMA Channel 4 Destination Element Index Register
0x0C8F	DMA_CDFI4	DMA Channel 4 Destination Frame Index Register
CHANNEL #5 REGISTERS		
0x0CA0	DMA_CSDP5	DMA Channel 5 Source / Destination Parameters Register
0x0CA1	DMA_CCR5	DMA Channel 5 Control Register
0x0CA2	DMA_CICR5	DMA Channel 5 Interrupt Control Register
0x0CA3	DMA_CSR5	DMA Channel 5 Status Register
0x0CA4	DMA_CSSA_L5	DMA Channel 5 Source Start Address Register (lower bits)
0x0CA5	DMA_CSSA_U5	DMA Channel 5 Source Start Address Register (upper bits)
0x0CA6	DMA_CDSA_L5	DMA Channel 5 Source Destination Address Register (lower bits)
0x0CA7	DMA_CDSA_U5	DMA Channel 5 Source Destination Address Register (upper bits)
0x0CA8	DMA_CEN5	DMA Channel 5 Element Number Register
0x0CA9	DMA_CFN5	DMA Channel 5 Frame Number Register
0x0CAA	DMA_CFI5/ DMA_CSF15†	DMA Channel 5 Frame Index Register/ DMA Channel 5 Source Frame Index Register†
0x0CAB	DMA_CEI5/ DMA_CSEI5‡	DMA Channel 5 Element Index Register/ DMA Channel 5 Source Element Index Register‡
0x0CAC	DMA_CSAC5	DMA Channel 5 Source Address Counter
0x0CAD	DMA_CDAC5	DMA Channel 5 Destination Address Counter
0x0CAE	DMA_CDEI5	DMA Channel 5 Destination Element Index Register
0x0CAF	DMA_CDFI5	DMA Channel 5 Destination Frame Index Register

† On revision 1.x, the channel frame index applies to both source and destination and this register behaves as DMA_CFI. On revision 2.0 and later, DMA_CSFIn and DMA_CDFIn provide separate source and destination frame indexing. Revisions 2.0 and later can be programmed for software compatibility with revisions 1.x through the Software Compatibility Register (DMA_GSCR).

‡ On revision 1.x, the channel element index applies to both source and destination and this register behaves as DMA_CEI. On revision 2.0 and later, DMA_CSEIn and DMA_CDEIn provide separate source and destination frame indexing. Revisions 2.0 and later can be programmed for software compatibility with revisions 1.x through the Software Compatibility Register (DMA_GSCR).

Table 3–14. Clock Generator Registers

PORT ADDRESS	REGISTER NAME	DESCRIPTION
0x1C00	CLKMD	Clock Mode Register

Table 3–15. Timer Registers

PORT ADDRESS	REGISTER NAME	DESCRIPTION
0x1000	TIM0	Timer 0 Count Register
0x1001	PRD0	Timer 0 Period Register
0x1002	TCR0	Timer 0 Timer Control Register
0x1003	PRSC0	Timer 0 Timer Prescaler Register
0x2400	TIM1	Timer 1 Timer Count Register
0x2401	PRD1	Timer 1 Period Register
0x2402	TCR1	Timer 1 Timer Control Register
0x2403	PRSC1	Timer 1 Timer Prescaler Register

Table 3–16. Multichannel Serial Port #0 Registers

PORT ADDRESS	REGISTER NAME	DESCRIPTION
0x2800	DRR2_0	McBSP 0 Data Receive Register 2
0x2801	DRR1_0	McBSP 0 Data Receive Register 1
0x2802	DXR2_0	McBSP 0 Data Transmit Register 2
0x2803	DXR1_0	McBSP 0 Data Transmit Register 1
0x2804	SPCR2_0	McBSP 0 Serial Port Control Register 2
0x2805	SPCR1_0	McBSP 0 Serial Port Control Register 1
0x2806	RCR2_0	McBSP 0 Receive Control Register 2
0x2807	RCR1_0	McBSP 0 Receive Control Register 1
0x2808	XCR2_0	McBSP 0 Transmit Control Register 2
0x2809	XCR1_0	McBSP 0 Transmit Control Register 1
0x280A	SRGR2_0	McBSP 0 Sample Rate Generator Register 2
0x280B	SRGR1_0	McBSP 0 Sample Rate Generator Register 1
0x280C	MCR2_0	McBSP 0 Multichannel Register 2
0x280D	MCR1_0	McBSP 0 Multichannel Register 1
0x280E	RCERA_0	McBSP 0 Receive Channel Enable Register Partition A
0x280F	RCERB_0	McBSP 0 Receive Channel Enable Register Partition B
0x2810	XCERA_0	McBSP 0 Transmit Channel Enable Register Partition A
0x2811	XCERB_0	McBSP 0 Transmit Channel Enable Register Partition B
0x2812	PCR0	McBSP 0 Pin Control Register
0x2813	RCERC_0	McBSP 0 Receive Channel Enable Register Partition C
0x2814	RCERD_0	McBSP 0 Receive Channel Enable Register Partition D
0x2815	XCERC_0	McBSP 0 Transmit Channel Enable Register Partition C
0x2816	XCERD_0	McBSP 0 Transmit Channel Enable Register Partition D
0x2817	RCERE_0	McBSP 0 Receive Channel Enable Register Partition E
0x2818	RCERF_0	McBSP 0 Receive Channel Enable Register Partition F
0x2819	XCERE_0	McBSP 0 Transmit Channel Enable Register Partition E
0x281A	XCERF_0	McBSP 0 Transmit Channel Enable Register Partition F
0x281B	RCERG_0	McBSP 0 Receive Channel Enable Register Partition G
0x281C	RCERH_0	McBSP 0 Receive Channel Enable Register Partition H
0x281D	XCERG_0	McBSP 0 Transmit Channel Enable Register Partition G
0x281E	XCERH_0	McBSP 0 Transmit Channel Enable Register Partition H

Table 3–17. Multichannel Serial Port #1 Registers

PORT ADDRESS	REGISTER NAME	DESCRIPTION
0x2C00	DRR2_1	McBSP 1 Data Receive Register 2
0x2C01	DRR1_1	McBSP 1 Data Receive Register 1
0x2C02	DXR2_1	McBSP 1 Data Transmit Register 2
0x2C03	DXR1_1	McBSP 1 Data Transmit Register 1
0x2C04	SPCR2_1	McBSP 1 Serial Port Control Register 2
0x2C05	SPCR1_1	McBSP 1 Serial Port Control Register 1
0x2C06	RCR2_1	McBSP 1 Receive Control Register 2
0x2C07	RCR1_1	McBSP 1 Receive Control Register 1
0x2C08	XCR2_1	McBSP 1 Transmit Control Register 2
0x2C09	XCR1_1	McBSP 1 Transmit Control Register 1
0x2C0A	SRGR2_1	McBSP 1 Sample Rate Generator Register 2
0x2C0B	SRGR1_1	McBSP 1 Sample Rate Generator Register 1
0x2C0C	MCR2_1	McBSP 1 Multichannel Register 2
0x2C0D	MCR1_1	McBSP 1 Multichannel Register 1
0x2C0E	RCERA_1	McBSP 1 Receive Channel Enable Register Partition A
0x2C0F	RCERB_1	McBSP 1 Receive Channel Enable Register Partition B
0x2C10	XCERA_1	McBSP 1 Transmit Channel Enable Register Partition A
0x2C11	XCERB_1	McBSP 1 Transmit Channel Enable Register Partition B
0x2C12	PCR1	McBSP 1 Pin Control Register
0x2C13	RCERC_1	McBSP 1 Receive Channel Enable Register Partition C
0x2C14	RCERD_1	McBSP 1 Receive Channel Enable Register Partition D
0x2C15	XCERC_1	McBSP 1 Transmit Channel Enable Register Partition C
0x2C16	XCERD_1	McBSP 1 Transmit Channel Enable Register Partition D
0x2C17	RCERE_1	McBSP 1 Receive Channel Enable Register Partition E
0x2C18	RCERF_1	McBSP 1 Receive Channel Enable Register Partition F
0x2C19	XCERE_1	McBSP 1 Transmit Channel Enable Register Partition E
0x2C1A	XCERF_1	McBSP 1 Transmit Channel Enable Register Partition F
0x2C1B	RCERG_1	McBSP 1 Receive Channel Enable Register Partition G
0x2C1C	RCERH_1	McBSP 1 Receive Channel Enable Register Partition H
0x2C1D	XCERG_1	McBSP 1 Transmit Channel Enable Register Partition G
0x2C1E	XCERH_1	McBSP 1 Transmit Channel Enable Register Partition H

Table 3–18. Multichannel Serial Port #2 Registers

PORT ADDRESS	REGISTER NAME	DESCRIPTION
0x3000	DRR2_2	McBSP 2 Data Receive Register 2
0x3001	DRR1_2	McBSP 2 Data Receive Register 1
0x3002	DXR2_2	McBSP 2 Data Transmit Register 2
0x3003	DXR1_2	McBSP 2 Data Transmit Register 1
0x3004	SPCR2_2	McBSP 2 Serial Port Control Register 2
0x3005	SPCR1_2	McBSP 2 Serial Port Control Register 1
0x3006	RCR2_2	McBSP 2 Receive Control Register 2
0x3007	RCR1_2	McBSP 2 Receive Control Register 1
0x3008	XCR2_2	McBSP 2 Transmit Control Register 2
0x3009	XCR1_2	McBSP 2 Transmit Control Register 1
0x300A	SRGR2_2	McBSP 2 Sample Rate Generator Register 2
0x300B	SRGR1_2	McBSP 2 Sample Rate Generator Register 1
0x300C	MCR2_2	McBSP 2 Multichannel Register 2
0x300D	MCR1_2	McBSP 2 Multichannel Register 1
0x300E	RCERA_2	McBSP 2 Receive Channel Enable Register Partition A
0x300F	RCERB_2	McBSP 2 Receive Channel Enable Register Partition B
0x3010	XCERA_2	McBSP 2 Transmit Channel Enable Register Partition A
0x3011	XCERB_2	McBSP 2 Transmit Channel Enable Register Partition B
0x3012	PCR2	McBSP 2 Pin Control Register
0x3013	RCERC_2	McBSP 2 Receive Channel Enable Register Partition C
0x3014	RCERD_2	McBSP 2 Receive Channel Enable Register Partition D
0x3015	XCERC_2	McBSP 2 Transmit Channel Enable Register Partition C
0x3016	XCERD_2	McBSP 2 Transmit Channel Enable Register Partition D
0x3017	RCERE_2	McBSP 2 Receive Channel Enable Register Partition E
0x3018	RCERF_2	McBSP 2 Receive Channel Enable Register Partition F
0x3019	XCERE_2	McBSP 2 Transmit Channel Enable Register Partition E
0x301A	XCERF_2	McBSP 2 Transmit Channel Enable Register Partition F
0x301B	RCERG_2	McBSP 2 Receive Channel Enable Register Partition G
0x301C	RCERH_2	McBSP 2 Receive Channel Enable Register Partition H
0x301D	XCERG_2	McBSP 2 Transmit Channel Enable Register Partition G
0x301E	XCERH_2	McBSP 2 Transmit Channel Enable Register Partition H

Table 3–19. GPIO Registers

WORD ADDRESS	REGISTER NAME	DESCRIPTION
0x3400	IODIR	General-purpose I/O Direction Register
0x3401	IOWDATA	General-purpose I/O Data Register

Table 3–20. Device Revision ID Registers

PORT ADDRESS	REGISTER NAME	DESCRIPTION
0x3800 – 0x3803	Die_ID[63:0]	Factory Die Identification†
0x3804	Rev_ID[15:0]	Identifies silicon revision Revision 1.x: 0x8050 Revision 2.0: 0x6510 Revision 2.1: 0x6511 Revision 2.2: 0x6512

† The Die_ID register contains factory identification information and does not require any intervention from the user.

3.5 Interrupts

Vector-relative locations and priorities for all internal and external interrupts are shown in Table 3–21. The locations of the interrupt vectors are defined as an offset from the location defined in the interrupt vector pointers (IVPD and IVPH). For more detailed information about the interrupt vector pointers and interrupts, see the *TMS320C55x DSP CPU Reference Guide* (literature number SPRU371).

Table 3–21. Interrupt Table

NAME	SOFTWARE (TRAP) EQUIVALENT	OFFSET LOCATION (HEX BYTES)	PRIORITY	FUNCTION
$\overline{\text{RESET}}$	SINT0	0	0	Reset (hardware and software)
$\overline{\text{NMI}}$	SINT1	8	1	Nonmaskable interrupt
$\overline{\text{INT0}}$	SINT2	10	3	External interrupt #0
$\overline{\text{INT2}}$	SINT3	18	5	External interrupt #2
TINT0	SINT4	20	6	Timer #0 interrupt
RINT0	SINT5	28	7	McBSP #0 receive interrupt
RINT1	SINT6	30	9	McBSP #1 receive interrupt
XINT1	SINT7	38	10	McBSP #1 transmit interrupt
–	SINT8	40	11	Software interrupt #8
DMAC1	SINT9	48	13	DMA Channel #1 interrupt
DSPINT	SINT10	50	14	Interrupt from host (EHPI)
$\overline{\text{INT3}}$	SINT11	58	15	External interrupt #3
RINT2	SINT12	60	17	McBSP #2 receive interrupt
XINT2	SINT13	68	18	McBSP #2 transmit interrupt
DMAC4	SINT14	70	21	DMA Channel #4 interrupt
DMAC5	SINT15	78	22	DMA Channel #5 interrupt
$\overline{\text{INT1}}$	SINT16	80	4	External interrupt #1
XINT0	SINT17	88	8	McBSP #0 transmit interrupt
DMAC0	SINT18	90	12	DMA Channel #0 interrupt
INT4	SINT19	98	16	External interrupt #4
DMAC2	SINT20	A0	19	DMA Channel #2 interrupt
DMAC3	SINT21	A8	20	DMA Channel #3 interrupt
TINT1	SINT22	B0	23	Timer #1 interrupt
$\overline{\text{INT5}}$	SINT23	B8	24	External interrupt #5
BERR	SINT24	C0	2	Bus Error interrupt
DLOG	SINT25	C8	25	Data Log interrupt
RTOS	SINT26	D0	26	Real-time Operating System interrupt
–	SINT27	D8	27	Software interrupt #27
–	SINT28	E0	28	Software interrupt #28
–	SINT29	E8	29	Software interrupt #29
–	SINT30	F0	30	Software interrupt #30
	SINT31	F8	31	Software interrupt #31

3.5.1 IFR and IER Registers

The Interrupt Enable Registers (IER0 and IER1) control which interrupts will be masked or enabled during normal operation. The Interrupt Flag Registers (IFR0 and IFR1) contain flags that indicate interrupts that are currently pending.

The Debug Interrupt Enable Registers (DBIER0 and DBIER1) are used only when the CPU is *halted* in the real-time emulation mode. If the CPU is *running* in real-time mode, the standard interrupt processing (IER0/1) is used and DBIER0/1 are ignored.

A maskable interrupt enabled in a DBIER0/1 is defined as a time-critical interrupt. When the CPU is halted in the real-time mode, the only interrupts that are serviced are time-critical interrupts that are also enabled in an interrupt enable register (IER0 or IER1)

Write the DBIER0/1 to enable or disable time-critical interrupts. To enable an interrupt, set its corresponding bit. To disable an interrupt, clear its corresponding bit. Note that DBIER0/1 are not affected by a software reset instruction or by a DSP hardware reset. Initialize these registers before using the real-time emulation mode.

The bit layouts of these registers for each interrupt are shown in Figure 3–7.

15	14	13	12	11	10	9	8
DMAC5	DMAC4	XINT2	RINT2	INT3	DSPINT	DMAC1	Reserved
7	6	5	4	3	2	1	0
XINT1	RINT1	RINT0	TINT0	INT2	INT0	Reserved	

Figure 3–7. IFR0, IER0, DBIFR0, and DBIER0 Bit Locations

The IFR1 (Interrupt Flag Register 1) and IER1 (Interrupt Enable Register 1) bit layouts are shown in Figure 3–8.

15					11	10	9	8
Reserved						RTOS	DLOG	BERR
7	6	5	4	3	2	1	0	
INT5	TINT1	DMAC3	DMAC2	INT4	DMAC0	XINT0	INT1	

Figure 3–8. IFR1, IER1, DBIFR1, and DBIER1 Bit Locations

3.5.2 Interrupt Timing

The external interrupts ($\overline{\text{NMI}}$ and $\overline{\text{INTx}}$) are automatically synchronized to the CPU. The interrupt inputs are sampled on the falling edges of the CPU clock. A sequence on the interrupt pin of 1-0-0-0 on consecutive cycles is required for an interrupt to be detected. Therefore, the minimum low pulse duration on the external interrupts on the 5510 is three CPU clock periods.

3.6 Notices Concerning CLKOUT Operation

3.6.1 CLKOUT Voltage Level

On the 320VC5510, CLKOUT is driven at V_{DD} supply voltage. This voltage level may be too low to interface to some devices. In that event, buffers may need to be employed to support interfacing CLKOUT.

3.6.2 CLKOUT Value During Reset

During reset, the CLKOUT pin is driven to a logic 1 instead of logic 0 as indicated in the *TMS320C55x DSP CPU Reference Guide* (literature number SPRU371).

4 Documentation Support

Extensive documentation supports all TMS320™ DSP family of devices from product announcement through applications development. The following types of documentation are available to support the design and use of the TMS320C5000™ platform of DSPs:

- *TMS320C55x™ DSP Functional Overview* (literature number SPRU312)
- *TMS320C55x DSP Peripherals Reference Guide* (literature number SPRU317)
- *TMS320C55x DSP CPU Reference Guide* (literature number SPRU371)
- Device-specific data sheets
- Complete user's guides
- Development support tools
- Hardware and software application reports

The reference set describes in detail the TMS320C55x DSP products currently available and the hardware and software applications, including algorithms, for fixed-point TMS320™ DSP family of devices.

A series of DSP textbooks is published by Prentice-Hall and John Wiley & Sons to support digital signal processing research and education. The TMS320 DSP newsletter, *Details on Signal Processing*, is published quarterly and distributed to update TMS320 DSP customers on product information.

Information regarding Texas Instruments (TI) DSP products is also available on the Worldwide Web at <http://www.ti.com> uniform resource locator (URL).

4.1 Device and Development-Support Tool Nomenclature

To designate the stages in the product development cycle, TI assigns prefixes to the part numbers of all 320™ DSP devices and support tools. Each 320™ DSP commercial family member has one of three prefixes: SMX, TMP, or SM/SMJ. Texas Instruments recommends two of three possible prefix designators for support tools: TMDX and TMDS. These prefixes represent evolutionary stages of product development from engineering prototypes (SMX/TMDX) through fully qualified production devices/tools (SM/SMJ/TMDS).

Device development evolutionary flow:

- SMX** Experimental device that is not necessarily representative of the final device's electrical specifications
- TMP** Final silicon die that conforms to the device's electrical specifications but has not completed quality and reliability verification
- SM/SMJ** Fully qualified production device

Support tool development evolutionary flow:

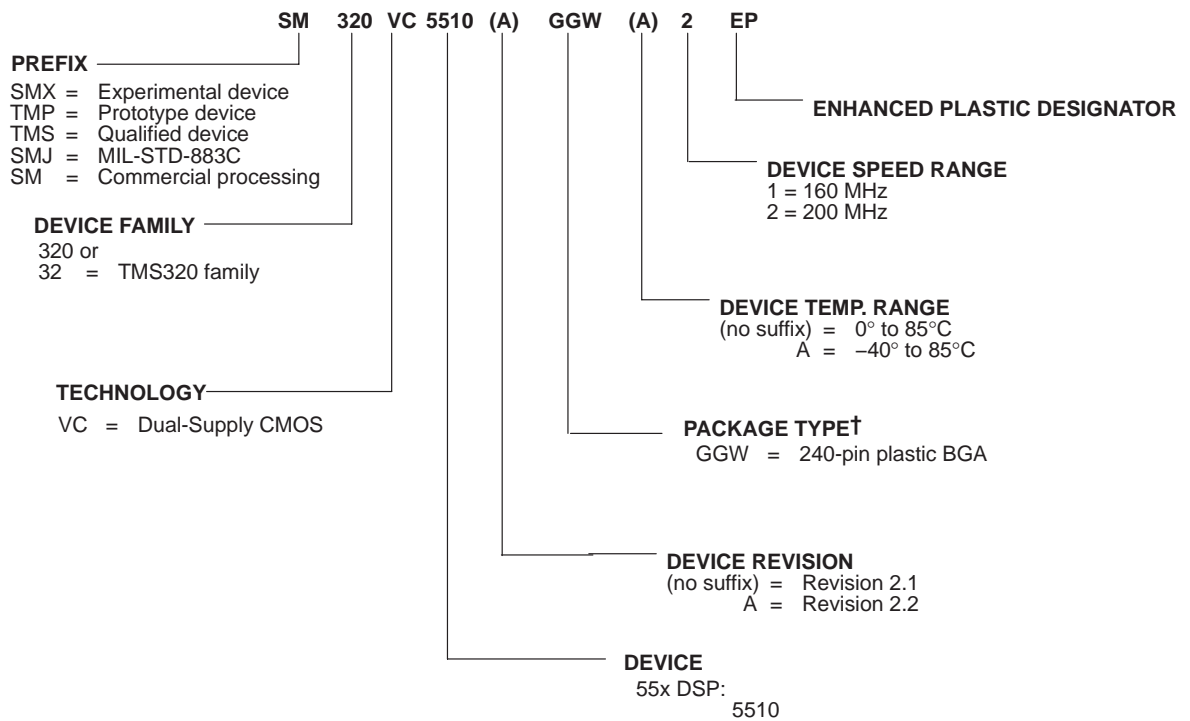
- TMDX** Development-support product that has not yet completed Texas Instruments internal qualification testing.
- TMDS** Fully qualified development-support product

SMX and TMP devices and TMDX development-support tools are shipped with appropriate disclaimers describing their limitations and intended uses. Experimental devices (SMX) may not be representative of a final product and Texas Instruments reserves the right to change or discontinue these products without notice.

SM/SMJ devices and TMDS development-support tools have been characterized fully, and the quality and reliability of the device have been demonstrated fully. TI's standard warranty applies.

Predictions show that prototype devices (SMX or TMP) have a greater failure rate than the standard production devices. Texas Instruments recommends that these devices not be used in any production system because their expected end-use failure rate still is undefined. Only qualified production devices are to be used.

4.2 320VC5510 Device Nomenclature



† BGA = Ball Grid Array

Figure 4–1. Device Nomenclature for the 320VC5510

5 Electrical Specifications

This section provides the absolute maximum ratings and the recommended operating conditions for the SM320VC5510A-EP DSP.

All electrical and switching characteristics in this data manual are valid over the recommended operating conditions unless otherwise specified.

See Figure 5–1 for the test load circuit values on a 3.3-V device. Measured timing information contained in this data manual is based on the test load setup and conditions shown in Figure 5–1.

5.1 Absolute Maximum Ratings†

Supply voltage I/O range, $DV_{DD}‡$	– 0.3 V to 4.0 V
Supply voltage core range, $CV_{DD}‡$	– 0.3 V to 2.0 V
Input voltage range, V_I	– 0.3 V to 4.5 V
Output voltage range, V_O	– 0.3 V to 4.5 V
Operating case temperature range, T_C : (Extended)§	– 40°C to 85°C
Storage temperature range $T_{stg}§$	– 55°C to 150°C

† Stresses beyond those listed under “absolute maximum ratings” may cause permanent damage to the device. These are stress ratings only, and functional operation of the device at these or any other conditions beyond those indicated under “recommended operating conditions” is not implied. Exposure to absolute-maximum-rated conditions for extended periods may affect device reliability.

‡ All voltage values are with respect to V_{SS} .

§ Long term high-temperature storage and/or extended use at maximum recommended operating conditions may result in a reduction of overall device life. See www.ti.com/ep_quality for additional information on enhanced plastic packaging.

5.2 Recommended Operating Conditions

		MIN	NOM	MAX	UNIT		
DV_{DD}	Device supply voltage, I/O	3.0	3.3	3.6	V		
CV_{DD}	Device supply voltage, core	1.55	1.6	1.65	V		
		Prototype revisions 2.1 and 2.2 and production silicon†					
V_{SS}	Supply voltage, GND	0			V		
V_{IH}	High-level input voltage, I/O	Hysteresis inputs $DV_{DD} = 3.3 \pm 0.3$ V		2.4	$DV_{DD} + 0.3$	V	
		All other inputs		2.0	$DV_{DD} + 0.3$		
V_{IL}	Low-level input voltage, I/O	Hysteresis inputs $DV_{DD} = 3.3 \pm 0.3$ V		–0.3	0.8	V	
		All other inputs		–0.3	0.8		
I_{OH}	High-level output current	All outputs			–8	mA	
I_{OL}	Low-level output current	All outputs			8	mA	
T_C	Operating case temperature	Extended Temperature Range			–40	85	°C

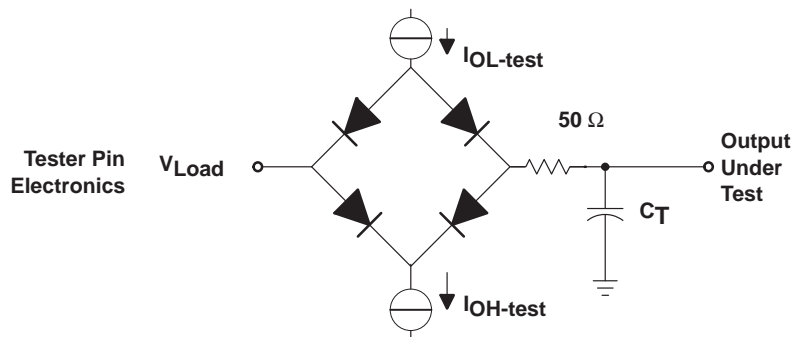
† See the *TMS320VC5510 Digital Signal Processor Silicon Errata* (literature number SPRZ008) for further clarification and distinguishing markings.

5.3 Electrical Characteristics Over Recommended Operating Case Temperature Range (Unless Otherwise Noted)

PARAMETER		TEST CONDITIONS	MIN	TYP	MAX	UNIT
V _{OH}	High-level output voltage	All output except CLKOUT DV _{DD} = 3.3 ± 0.3 V, I _{OH} = MAX	2.4			V
		CLKOUT CV _{DD} = 1.6 ± 0.05 V, I _{OH} = MAX	1.24			
V _{OL}	Low-level output voltage	I _{OL} = MAX			0.4	V
I _{IZ}	Input current for outputs in high impedance	Output-only or input/output pins with bus holders Bus holders enabled CV _{DD} = MAX, V _O = V _{SS} to V _{DD}	- 275		275	μA
		All other output-only or input/output pins Bus holders disabled CV _{DD} = MAX, V _O = V _{SS} to V _{DD}	- 5		5	
I _I	Input current	Input pins with internal pulldown CV _{DD} = MAX, V _I = V _{SS} to V _{DD}	- 5		300	μA
		Input pins with internal pullup Pullup enabled CV _{DD} = MAX, V _I = V _{SS} to V _{DD}	- 300		5	
		All other input-only pins or input-only pins with pullup/pulldown disabled CV _{DD} = MAX, V _I = V _{SS} to V _{DD}	- 5		5	
I _{DDC}	CV _{DD} supply current, CPU + internal memory access †	CV _{DD} = 1.6 V, CPU clock = 200 MHz T _C = 25°C		112		mA
I _{DDP}	DV _{DD} supply current, pins active ‡	DV _{DD} = 3.3 V CPU clock = 100 MHz T _C = 25°C		8		mA
I _{DDC}	CV _{DD} supply current, standby Only CLKGEN domain enabled, PLL enabled.	CV _{DD} = 1.6 V 10-MHz clock input, DPLL mode = x 20 T _C = 25°C		32		mA
I _{DDC}	CV _{DD} supply current, standby All domains idled.	CV _{DD} = 1.6 V input clock stopped, T _C = 25°C		69		μA
		CV _{DD} = 1.6 V input clock stopped, T _C = 55°C		374		μA
		CV _{DD} = 1.6 V input clock stopped, T _C = 85°C		976		μA
I _{DDP}	DV _{DD} supply current, standby All domains idled.	DV _{DD} = 3.3 V no pin activity, T _C = 25°C		10		μA
		DV _{DD} = 3.3 V no pin activity, T _C = 55°C		10		μA
		DV _{DD} = 3.3 V no pin activity, T _C = 85°C		10		μA
C _i	Input capacitance			3		pF
C _o	Output capacitance			3		pF

† Test Condition: CPU executing 75% Dual-MAC / 25% ADD with moderate data bus activity (table of sine values). CPU and CLKGEN domains are active. All other domains are idled. The DPLL is enabled.

‡ Test Condition: One word of a table of 16-bit sine values is written to the EMIF each microsecond (16 Mbps). Each EMIF output pin is connected to a 10-pF load capacitance.



Where: $I_{OL-test}$ = +2 mA (all outputs)
 $I_{OH-test}$ = -2 mA (all outputs)
 V_{Load} = 50% of DVdd
 C_T = 15 pF typical load circuit capacitance.

Figure 5–1. 3.3-V Test Load Circuit

5.4 Package Thermal Resistance Characteristics

Table 5–1 provides the thermal resistance characteristics for the recommended package types used on the 320VC5510 DSP.

Table 5–1. Thermal Resistance Characteristics (Ambient)

$R_{\theta JA}$ (°C/W)	BOARD TYPE†	AIRFLOW (LFM)
26	High-K	0
22	High-K	150
20	High-K	250
50	Low-K	0
35	Low-K	150
29	Low-K	250

† Board types are as defined by JEDEC. Reference JEDEC Standard JESD51-9, Test Boards for Area Array Surface Mount Package Thermal Measurements.

Table 5–2. Thermal Resistance Characteristics (Case)

$R_{\theta JC}$ (°C/W)	BOARD TYPE†
6	2s JEDEC Test Card

† Board types are as defined by JEDEC. Reference JEDEC Standard JESD51-9, Test Boards for Area Array Surface Mount Package Thermal Measurements.

5.5 Timing Parameter Symbology

Timing parameter symbols used in the timing requirements and switching characteristics tables are created in accordance with JEDEC Standard 100. To shorten the symbols, some of the pin names and other related terminology have been abbreviated as follows:

Lowercase subscripts and their meanings:

a	access time
c	cycle time (period)
d	delay time
dis	disable time
en	enable time
f	fall time
h	hold time
r	rise time
su	setup time
t	transition time
v	valid time
w	pulse duration (width)
X	Unknown, changing, or don't care level

Letters and symbols and their meanings:

H	High
L	Low
V	Valid
Z	High impedance

5.6 Clock Options

This section provides the timing requirements and switching characteristics for the various clock options available on the 5510.

5.6.1 Clock Generation in Bypass Mode (DPLL Disabled)

The frequency of the reference clock provided at the CLKIN pin can be divided by a factor of one, two, or four to generate the internal CPU clock cycle. The divide factor (D) is set in the BYPASS_DIV field of the clock mode register. The contents of this field only affect clock generation while the device is in bypass mode. In this mode, the digital phase-locked loop (DPLL) clock synthesis is disabled.

Table 5–3 and Table 5–4 assume testing over recommended operating conditions and $H = 0.5t_{c(CO)}$ (see Figure 5–2).

Table 5–3. CLKIN in Bypass Mode Timing Requirements

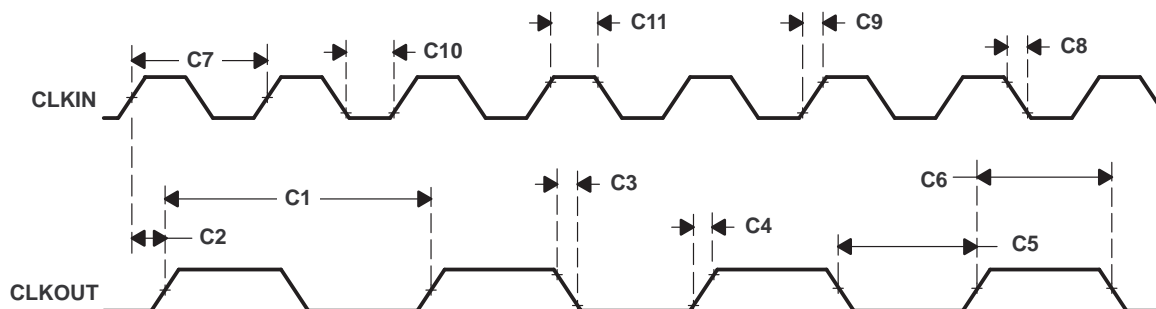
NO.		VC5510-200		UNIT
		MIN	MAX	
C7	$t_c(CI)$ Cycle time, CLKIN	20	†	ns
C8	$t_f(CI)$ Fall time, CLKIN		6	ns
C9	$t_r(CI)$ Rise time, CLKIN		6	ns
C10	$t_w(CIL)$ Pulse duration, CLKIN low	4		ns
C11	$t_w(CIH)$ Pulse duration, CLKIN high	4		ns

† This device utilizes a fully static design and therefore can operate with $t_c(CI)$ approaching ∞ . The device is characterized at frequencies approaching 0 Hz.

Table 5–4. CLKOUT in Bypass Mode Switching Characteristics

NO.	PARAMETER	VC5510-200			UNIT
		MIN	TYP	MAX	
C1	$t_c(CO)$ Cycle time, CLKOUT	20	$t_c(CI)/N^\ddagger$		ns
C2	$t_d(CI-CO)$ Delay time, CLKIN high/low to CLKOUT high/low	1	7	14	ns
C3	$t_f(CO)$ Fall time, CLKOUT		1		ns
C4	$t_r(CO)$ Rise time, CLKOUT		1		ns
C5	$t_w(COL)$ Pulse duration, CLKOUT low	H–1		H+1	ns
C6	$t_w(COH)$ Pulse duration, CLKOUT high	H–1		H+1	ns

‡ N = Clock frequency synthesis factor



NOTE A: The relationship of CLKIN to CLKOUT depends on the divide factor chosen. The waveform relationship shown in Figure 5–2 is intended to illustrate the timing parameters only and may differ based on configuration.

Figure 5–2. Bypass Mode Clock Timing

5.6.2 Clock Generation in Lock Mode (DPLL Synthesis Enabled)

The frequency of the reference clock provided at the CLKIN pin can be multiplied by a synthesis factor of N to generate the internal CPU clock cycle. The synthesis factor is determined by:

$$N = \frac{M}{D_L}$$

where: M = the multiply factor set in the PLL_MULT field of the clock mode register,
D_L = the divide factor set in the PLL_DIV field of the clock mode register

Valid values for M are (multiply by) 2 to 31. Valid values for D_L are (divide by) 1, 2, 3, and 4.

For detailed information on clock generation configuration, see the *TMS320C55x DSP Peripherals Reference Guide* (literature number SPRU317).

Table 5–5 and Table 5–6 assume testing over recommended operating conditions and H = 0.5t_{c(CO)} (see Figure 5–3).

Table 5–5. CLKIN in Lock Mode Timing Requirements

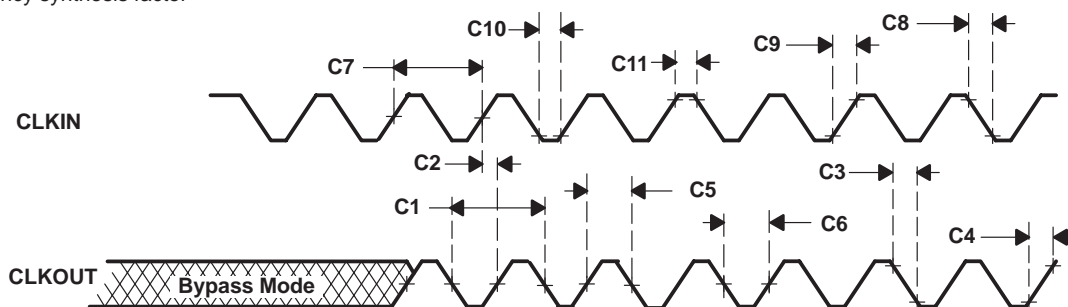
NO.			VC5510-200		UNIT
			MIN	MAX	
C7	t _{c(CI)}	Cycle time, CLKIN	DPLL synthesis enabled		
			20 [†]	400	ns
C8	t _{f(CI)}	Fall time, CLKIN			6
C9	t _{r(CI)}	Rise time, CLKIN			6
C10	t _{w(CIL)}	Pulse duration, CLKIN low			4
C11	t _{w(CIH)}	Pulse duration, CLKIN high			4

[†] The clock frequency synthesis factor and minimum CLKIN cycle time should be chosen such that the resulting CLKOUT cycle time is within the specified range (t_{c(CO)}).

Table 5–6. CLKOUT in Lock Mode Switching Characteristics

NO.	PARAMETER	VC5510-200			UNIT
		MIN	TYP	MAX	
C1	t _{c(CO)}	5	t _{c(CI)} /N [‡]		ns
C2	t _{d(CI-CO)}	1	7	14	ns
C3	t _{f(CO)}				1
C4	t _{r(CO)}				1
C5	t _{w(COL)}	H–1		H+1	ns
C6	t _{w(COH)}	H–1		H+1	ns

[‡] N = Clock frequency synthesis factor



NOTE A: The waveform relationship of CLKIN to CLKOUT depends on the multiply and divide factors chosen. The waveform relationship shown in Figure 5–3 is intended to illustrate the timing parameters only and may differ based on configuration.

Figure 5–3. External Multiply-by-N Clock Timing

5.7 Memory Timing

5.7.1 Asynchronous Memory Timing

Table 5–7 and Table 5–8 assume testing over recommended operating conditions (see Figure 5–4 and Figure 5–5). Note that the asynchronous memory interface is read-only when configured as 8-bit mode. Asynchronous writes in 8-bit mode are not supported.

Table 5–7. Asynchronous Memory Cycles Timing Requirements

NO.		VC5510-200		UNIT
		MIN	MAX	
A6	$t_{su}(DV-COH)$ Setup time, read data valid before CLKOUT high†	6		ns
A7	$t_h(COH-DV)$ Hold time, read data valid after CLKOUT high	0		ns
A10	$t_{su}(ARDY-COH)$ Setup time, ARDY valid before CLKOUT high	7		ns
A11	$t_h(COH-ARDY)$ Hold time, ARDY valid after CLKOUT high	0		ns

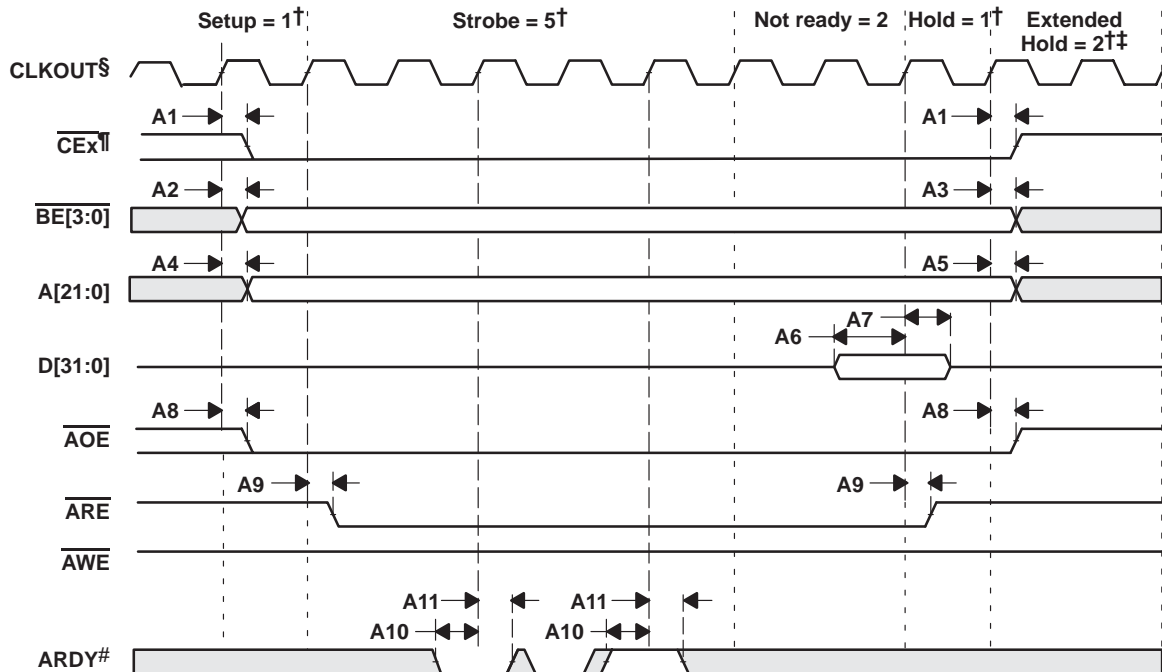
† To ensure data setup time, simply program the strobe width wide enough. ARDY is internally synchronized. If ARDY does not meet setup or hold time, it may be recognized in the current cycle or the next cycle. Thus, ARDY can be an asynchronous input.

Table 5–8. Asynchronous Memory Cycles Switching Characteristics‡§

NO.	PARAMETER	VC5510-200		UNIT
		MIN	MAX	
A1	$t_d(COH-CEV)$ Delay time, CLKOUT high to $\overline{CE}x$ transition	-2	4	ns
A2	$t_d(COH-BEV)$ Delay time, CLKOUT high to $\overline{BE}x$ valid		4	ns
A3	$t_d(COH-BEIV)$ Delay time, CLKOUT high to $\overline{BE}x$ invalid	-2		ns
A4	$t_d(COH-AV)$ Delay time, CLKOUT high to address valid		4	ns
A5	$t_d(COH-AIV)$ Delay time, CLKOUT high to address invalid	-2		ns
A8	$t_d(COH-AOEV)$ Delay time, CLKOUT high to \overline{AOE} valid	-2	4	ns
A9	$t_d(COH-AREV)$ Delay time, CLKOUT high to \overline{ARE} valid	-2	4	ns
A12	$t_d(COH-DV)$ Delay time, CLKOUT high to data valid (write)		4	ns
A13	$t_d(COH-DIV)$ Delay time, CLKOUT high to data invalid (write)	-2		ns
A14	$t_d(COH-AWEV)$ Delay time, CLKOUT high to \overline{AWE} valid	-2	4	ns

‡ The minimum delay is also the minimum output hold after CLKOUT high.

§ All timings referenced to CLKOUT assume CLKOUT represents the internal CPU clock (divide-by-1 mode).



† Setup, Strobe, Hold, and Extended Hold are programmable in the EMIF. The programmable Hold period is not associated with the activity of the $\overline{\text{HOLD}}$ and $\overline{\text{HOLDA}}$ signals.

‡ The extended hold time is programmable in the EMIF and is only present when consecutive memory accesses are made to different $\overline{\text{CEX}}$ spaces, or are of different types (read/write).

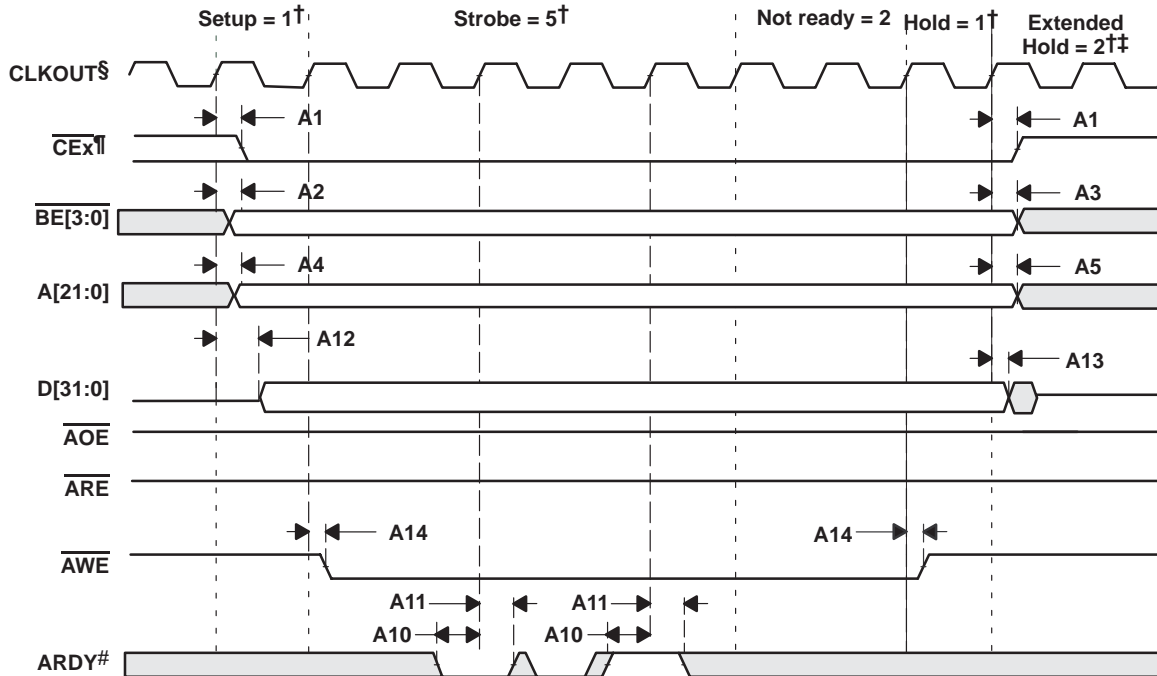
§ All timings referenced to CLKOUT assume CLKOUT is the same frequency as the internal CPU clock (divide-by-1 mode).

¶ The chip enable that becomes active depends on the address.

ARDY is synchronized internally. If the setup time shown is not met, ARDY will be recognized on the next clock cycle.

Figure 5–4. Asynchronous Memory Read Timing

300



† Setup, Strobe, Hold, and Extended Hold are programmable in the EMIF. The programmable Hold period is not associated with the activity of the HOLD and HOLDA signals.
 ‡ The extended hold time is programmable in the EMIF and is only present when consecutive memory accesses are made to different CEX spaces, or are of different types (read/write).
 § All timings referenced to CLKOUT assume CLKOUT is the same frequency as the internal CPU clock (divide-by-1 mode).
 ¶ The chip enable that becomes active depends on the address.
 # ARDY is synchronized internally. If the setup time shown is not met, ARDY will be recognized on the next clock cycle.

Figure 5–5. Asynchronous Memory Write Timing

5.7.2 Synchronous-Burst SRAM (SBSRAM) Timing

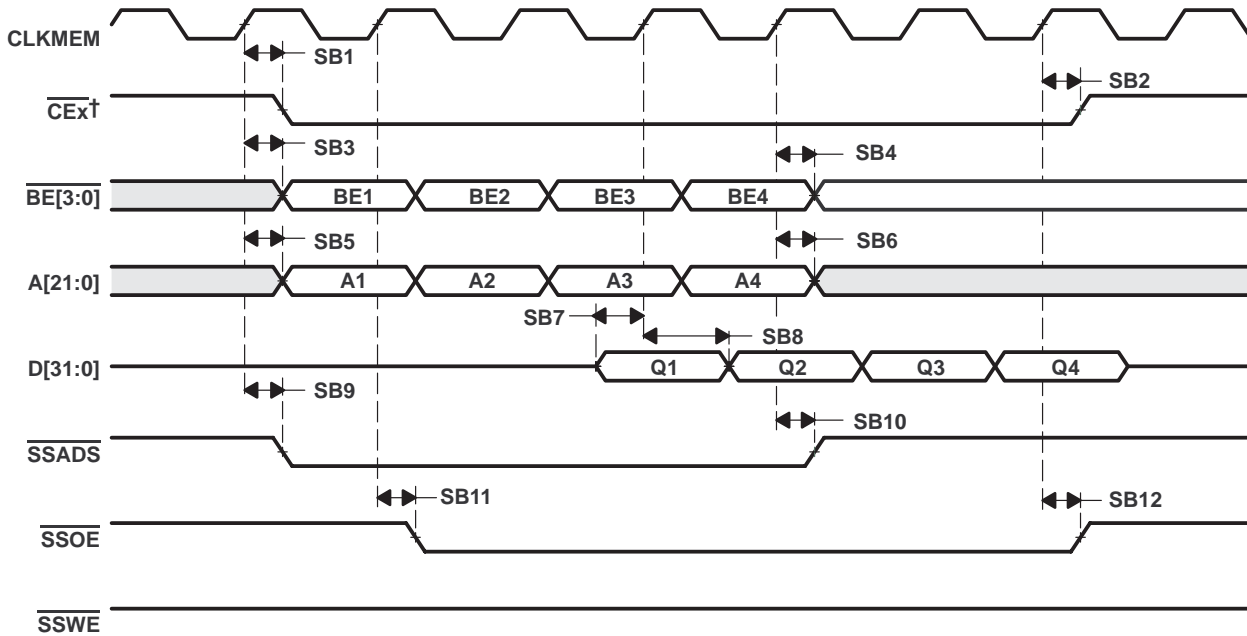
Table 5–9 and Table 5–10 assume testing over recommended operating conditions (see Figure 5–6 and Figure 5–7).

Table 5–9. Synchronous-Burst SRAM Cycle Timing Requirements

NO.		VC5510-200		UNIT
		MIN	MAX	
SB7	$t_{su}(DV-CLKMEMH)$ Setup time, read data valid before CLKMEM high	5		ns
SB8	$t_h(CLKMEMH-DV)$ Hold time, read data valid after CLKMEM high	2		ns

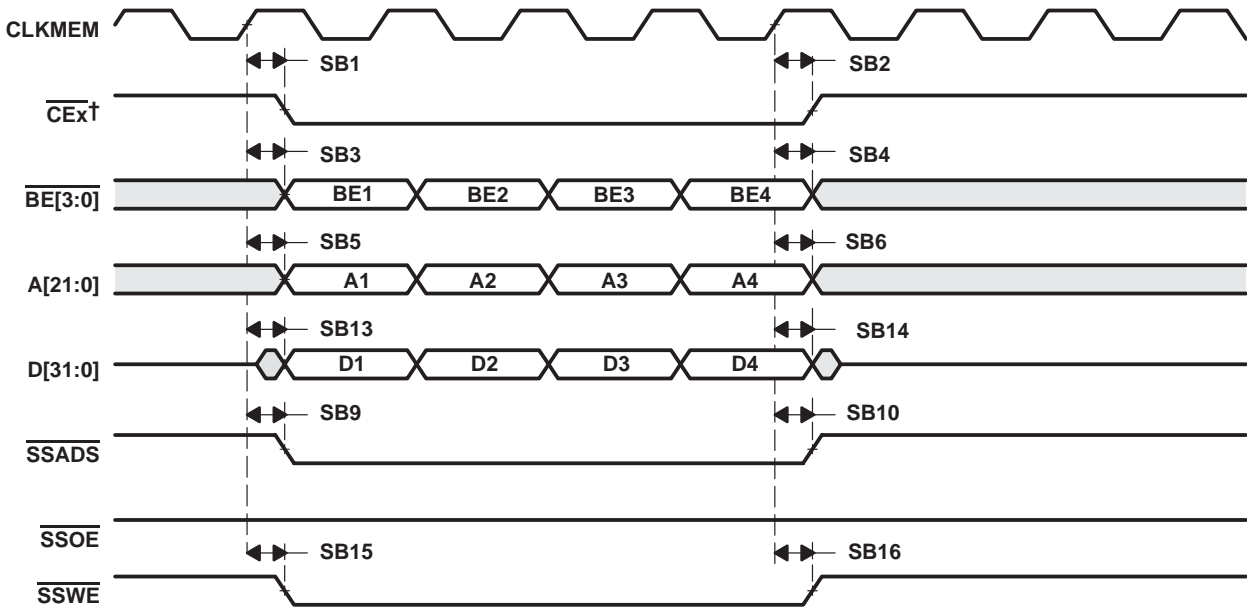
Table 5–10. Synchronous-Burst SRAM Cycle Switching Characteristics

NO.	PARAMETER	VC5510-200		UNIT
		MIN	MAX	
SB1	$t_d(CLKMEMH-CEL)$ Delay time, CLKMEM high to \overline{CE} low	3	6	ns
SB2	$t_d(CLKMEMH-CEH)$ Delay time, CLKMEM high to \overline{CE} high	3	6	ns
SB3	$t_d(CLKMEMH-BEV)$ Delay time, CLKMEM high to \overline{BEx} valid	3	6	ns
SB4	$t_d(CLKMEMH-BEIV)$ Delay time, CLKMEM high to \overline{BEx} invalid	3	6	ns
SB5	$t_d(CLKMEMH-AV)$ Delay time, CLKMEM high to address valid	3	6	ns
SB6	$t_d(CLKMEMH-AIV)$ Delay time, CLKMEM high to address invalid	3	6	ns
SB9	$t_d(CLKMEMH-ADSL)$ Delay time, CLKMEM high to \overline{SSADS} low	3	6	ns
SB10	$t_d(CLKMEMH-ADSH)$ Delay time, CLKMEM high to \overline{SSADS} high	3	6	ns
SB11	$t_d(CLKMEMH-OEL)$ Delay time, CLKMEM high to \overline{SSOE} low	3	6	ns
SB12	$t_d(CLKMEMH-OEH)$ Delay time, CLKMEM high to \overline{SSOE} high	3	6	ns
SB13	$t_d(CLKMEMH-DV)$ Delay time, CLKMEM high to data valid	3	6	ns
SB14	$t_d(CLKMEMH-DIV)$ Delay time, CLKMEM high to data invalid	3	6	ns
SB15	$t_d(CLKMEMH-WEL)$ Delay time, CLKMEM high to \overline{SSWE} low	3	6	ns
SB16	$t_d(CLKMEMH-WEH)$ Delay time, CLKMEM high to \overline{SSWE} high	3	6	ns



† The chip enable that becomes active depends on the address.

Figure 5–6. SBSRAM Read Timing



† The chip enable that becomes active depends on the address.

Figure 5–7. SBSRAM Write Timing

5.7.3 Synchronous DRAM (SDRAM) Timing

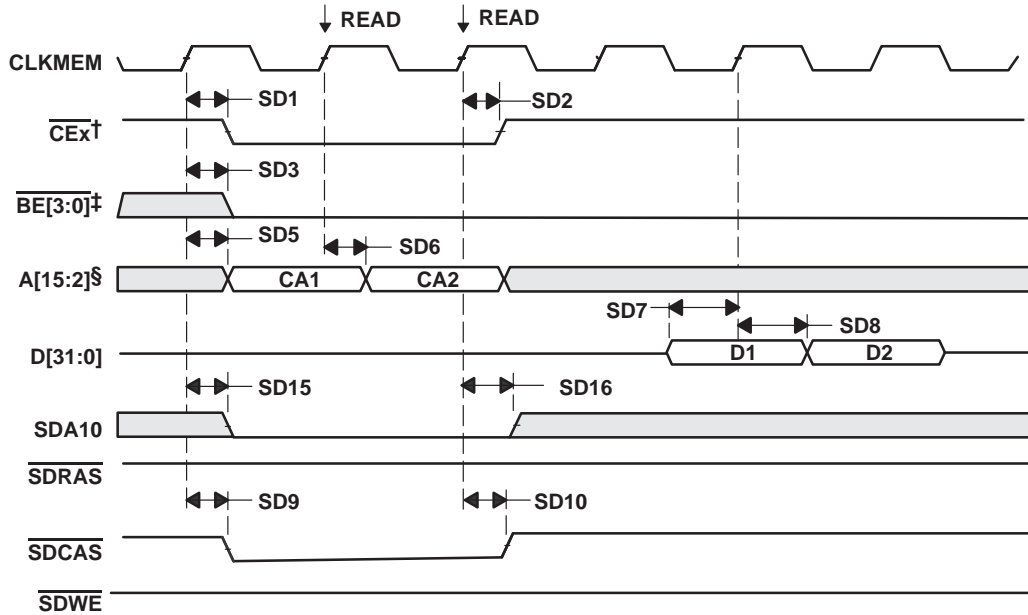
Table 5–11 and Table 5–12 assume testing over recommended operating conditions (see Figure 5–8 through Figure 5–13).

Table 5–11. Synchronous DRAM Cycle Timing Requirements

NO.		VC5510-200		UNIT
		MIN	MAX	
SD7	$t_{su}(DV-CLKMEMH)$ Setup time, read data valid before CLKMEM high	5		ns
SD8	$t_h(CLKMEMH-DV)$ Hold time, read data valid after CLKMEM high	2		ns

Table 5–12. Synchronous DRAM Cycle Switching Characteristics

NO.	PARAMETER	VC5510-200		UNIT
		MIN	MAX	
SD1	$t_d(CLKMEMH-CEL)$ Delay time, CLKMEM high to $\overline{CE}x$ low	3	6	ns
SD2	$t_d(CLKMEMH-CEH)$ Delay time, CLKMEM high to $\overline{CE}x$ high	3	6	ns
SD3	$t_d(CLKMEMH-BEV)$ Delay time, CLKMEM high to \overline{BEx} valid	3	6	ns
SD4	$t_d(CLKMEMH-BEIV)$ Delay time, CLKMEM high to \overline{BEx} invalid	3	6	ns
SD5	$t_d(CLKMEMH-AV)$ Delay time, CLKMEM high to address valid	3	6	ns
SD6	$t_d(CLKMEMH-AIV)$ Delay time, CLKMEM high to address invalid	3	6	ns
SD9	$t_d(CLKMEMH-SDCASL)$ Delay time, CLKMEM high to \overline{SDCAS} low	3	5	ns
SD10	$t_d(CLKMEMH-SDCASH)$ Delay time, CLKMEM high to \overline{SDCAS} high	3	5	ns
SD11	$t_d(CLKMEMH-DV)$ Delay time, CLKMEM high to data valid	3	5	ns
SD12	$t_d(CLKMEMH-DIV)$ Delay time, CLKMEM high to data invalid	3	5	ns
SD13	$t_d(CLKMEMH-SDWEL)$ Delay time, CLKMEM high to \overline{SDWE} low	3	5	ns
SD14	$t_d(CLKMEMH-SDWEH)$ Delay time, CLKMEM high to \overline{SDWE} high	3	5	ns
SD15	$t_d(CLKMEMH-SDA10V)$ Delay time, CLKMEM high to SDA10 valid	3	5	ns
SD16	$t_d(CLKMEMH-SDA10IV)$ Delay time, CLKMEM high to SDA10 invalid	3	5	ns
SD17	$t_d(CLKMEMH-SDRASL)$ Delay time, CLKMEM high to \overline{SDRAS} low	3	5	ns
SD18	$t_d(CLKMEMH-SDRASH)$ Delay time, CLKMEM high to \overline{SDRAS} high	3	5	ns

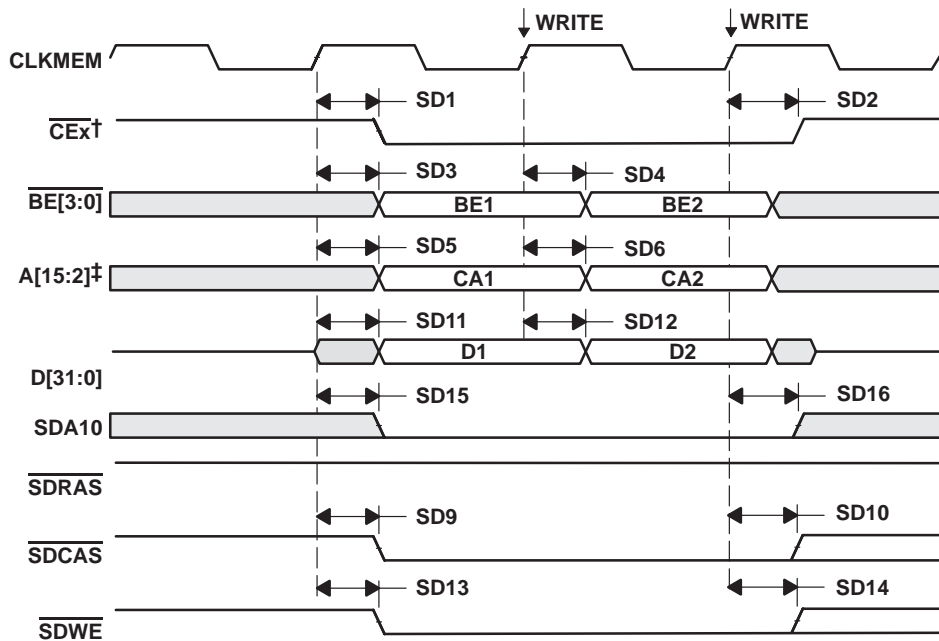


† The chip enable that becomes active depends on the address.

‡ All $\overline{\text{BE}}[3:0]$ signals are driven low (active) during reads. Byte manipulation of the read data is performed inside the EMIF. These signals remain active until the next access that is not an SDRAM read occurs.

§ The number of address signals used depends on the SDRAM size and width.

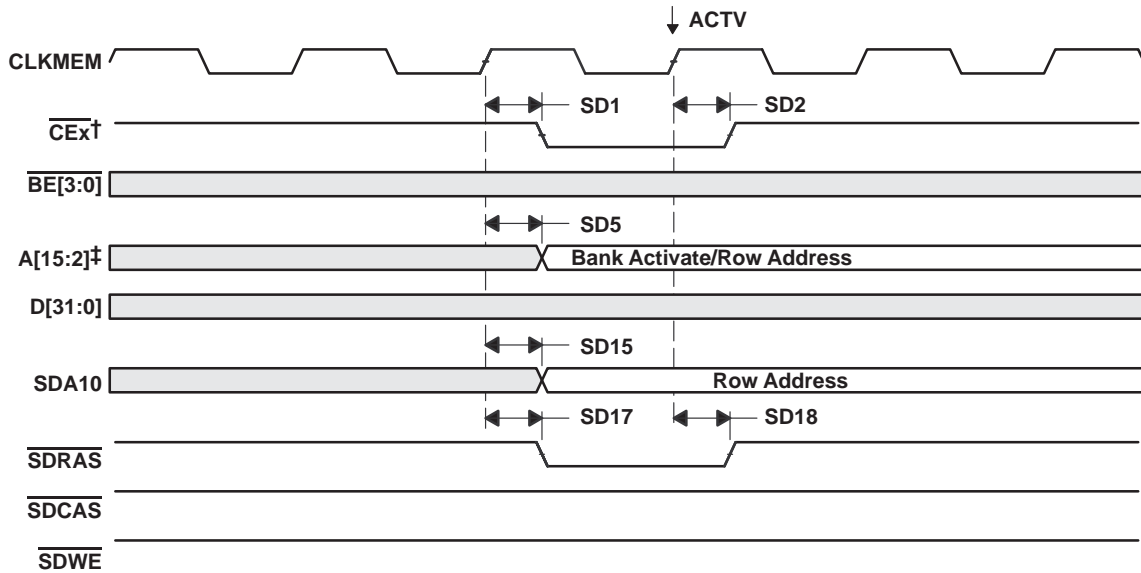
Figure 5–8. Two SDRAM Read Commands (Active Row)



† The chip enable that becomes active depends on the address.

‡ The number of address signals used depends on the SDRAM size and width.

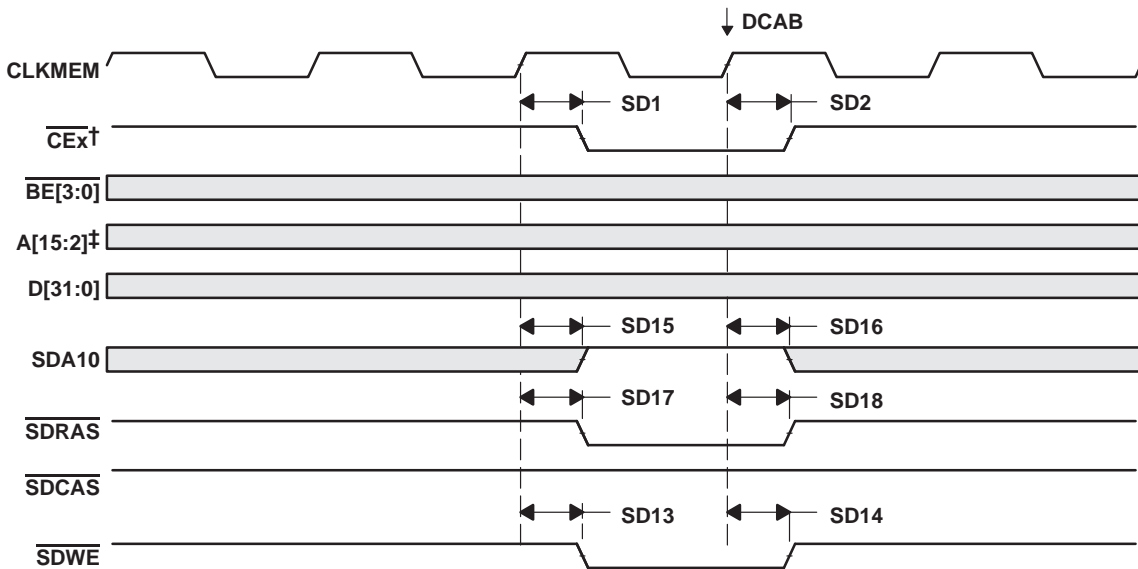
Figure 5–9. Two SDRAM WRT Commands (Active Row)



† The chip enable that becomes active depends on the address.

‡ The number of address signals used depends on the SDRAM size and width.

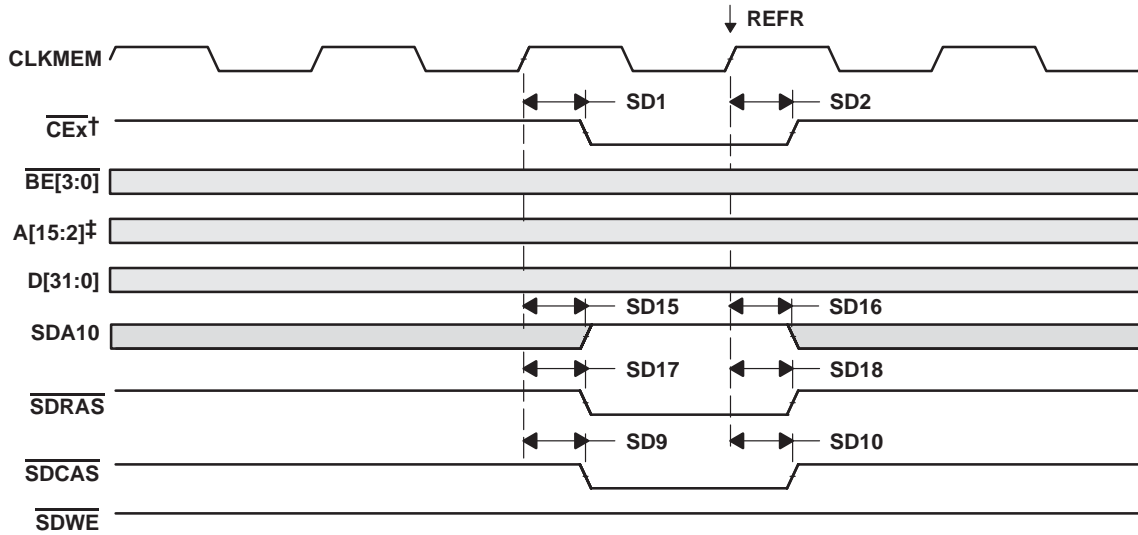
Figure 5–10. SDRAM ACTV Command



† The chip enable that becomes active depends on the address.

‡ The number of address signals used depends on the SDRAM size and width.

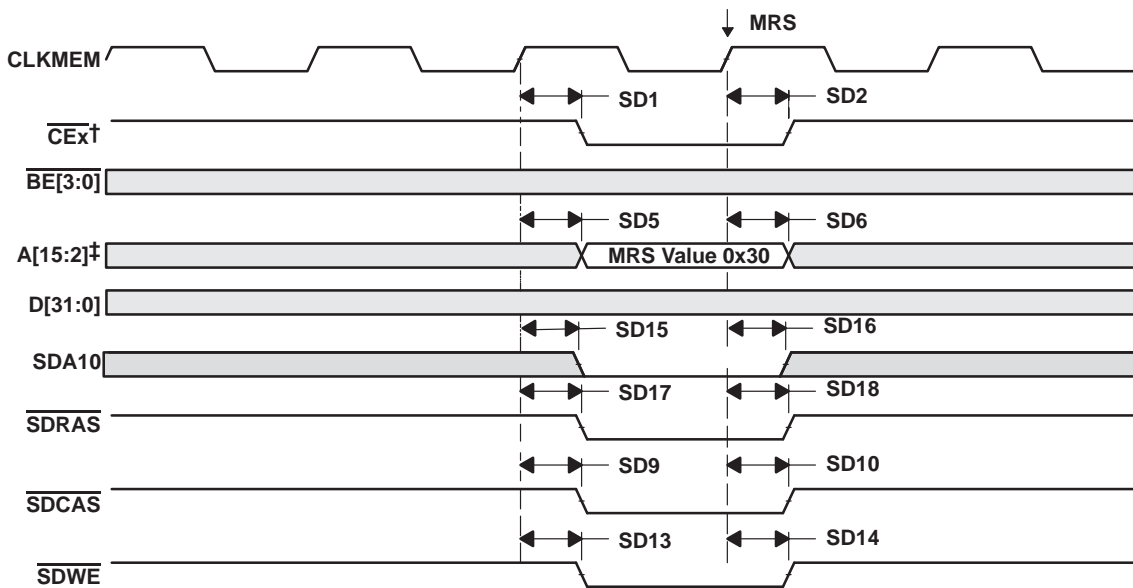
Figure 5–11. SDRAM DCAB Command



† The chip enable that becomes active depends on the address.

‡ The number of address signals used depends on the SDRAM size and width.

Figure 5–12. SDRAM REFR Command



† The chip enable that becomes active depends on the address.

‡ The number of address signals used depends on the SDRAM size and width.

Figure 5–13. SDRAM MRS Command

5.8 $\overline{\text{HOLD}}$ and $\overline{\text{HOLDA}}$ Timings

Table 5–13 and Table 5–14 assume testing over recommended operating conditions (see Figure 5–14).

Table 5–13. $\overline{\text{HOLD}}$ and $\overline{\text{HOLDA}}$ Timing Requirements

NO.		VC5510-200		UNIT
		MIN	MAX	
H1	$t_{\text{su}}(\overline{\text{HOLDH}}-\text{COH})$ Setup time, $\overline{\text{HOLD}}$ high before CLKOUT high [†]	7		ns

[†] $\overline{\text{HOLD}}$ is synchronized internally. If the setup time shown is not met, $\overline{\text{HOLD}}$ will be recognized on the next clock cycle.

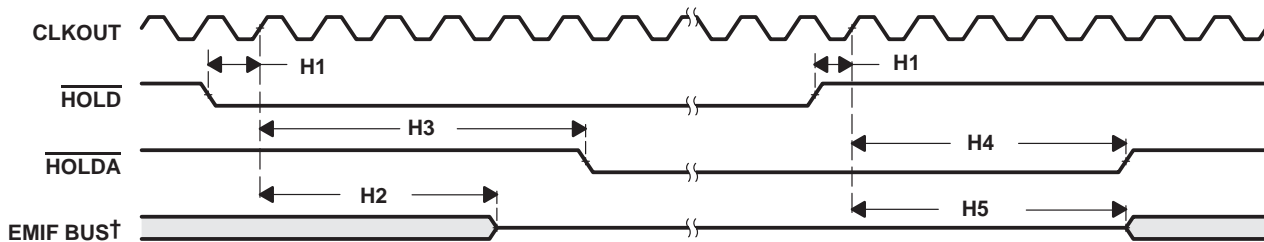
Table 5–14. $\overline{\text{HOLD}}$ and $\overline{\text{HOLDA}}$ Switching Characteristics[‡]

NO.	PARAMETER	VC5510-200		UNIT
		MIN	MAX	
H2	$t_{\text{R}}(\text{COH-BHZ})$ Response time, CLKOUT high to EMIF Bus high impedance (HZ) [¶]	4P	§	ns
H3	$t_{\text{R}}(\text{COH-HOLDAL})$ Response time, CLKOUT high to $\overline{\text{HOLDA}}$ low	5P–1		ns
H4	$t_{\text{R}}(\text{COH-HOLDAH})$ Response time, CLKOUT high to $\overline{\text{HOLDA}}$ high	4P–1	4P+5	ns
H5	$t_{\text{R}}(\text{COH-BLZ})$ Response time, CLKOUT high to EMIF Bus low impedance (LZ) (active) [¶]	4P–1	4P+5	ns

[‡] P = 1/CPU clock frequency in ns. For example, when running parts at 200 MHz, use P = 5 ns.

[§] All pending EMIF transactions are allowed to complete before $\overline{\text{HOLDA}}$ is asserted. If no bus transactions are occurring, then the minimum delay time can be achieved. Also, bus hold can be indefinitely delayed by setting NOHOLD = 1.

[¶] EMIF Bus consists of $\overline{\text{CE}}[3:0]$, $\overline{\text{BE}}[3:0]$, $\text{D}[31:0]$, $\text{A}[21:0]$, $\overline{\text{ARE}}$, $\overline{\text{AOE}}$, $\overline{\text{AWE}}$, $\overline{\text{SSADS}}$, $\overline{\text{SSOE}}$, $\overline{\text{SSWE}}$, $\overline{\text{CLKMEM}}$, $\overline{\text{SDA10}}$, $\overline{\text{SDRAS}}$, $\overline{\text{SDCAS}}$, and $\overline{\text{SDWE}}$.



[†] EMIF Bus consists of $\overline{\text{CE}}[3:0]$, $\overline{\text{BE}}[3:0]$, $\text{D}[31:0]$, $\text{A}[21:0]$, $\overline{\text{ARE}}$, $\overline{\text{AOE}}$, $\overline{\text{AWE}}$, $\overline{\text{SSADS}}$, $\overline{\text{SSOE}}$, $\overline{\text{SSWE}}$, $\overline{\text{SDA10}}$, $\overline{\text{SDRAS}}$, $\overline{\text{SDCAS}}$, $\overline{\text{SDWE}}$, and $\overline{\text{CLKMEM}}$.

Figure 5–14. $\overline{\text{HOLD}}$ / $\overline{\text{HOLDA}}$ Timing

5.9 Reset Timings

Table 5–15 and Table 5–16 assume testing over recommended operating conditions (see Figure 5–15).

Table 5–15. Reset Timing Requirements†

NO.		VC5510-200		UNIT
		MIN	MAX	
R1	$t_w(\text{RSL})$ Pulse width, reset low	2P + 5		ns

† P = 1/CPU clock frequency in ns. For example, when running parts at 200 MHz, use P = 5 ns.

Table 5–16. Reset Switching Characteristics†

NO.	PARAMETER	VC5510-200		UNIT
		MIN	MAX	
R3	$t_d(\text{RSL-EMIFHZ})$ Delay time, reset low to EMIF group high impedance‡	19		ns
R4	$t_d(\text{RSL-EMIFV})$ Delay time, reset low to EMIF group valid‡	38P + 19		ns
R5	$t_d(\text{RSL-LOWIV})$ Delay time, reset low to low group invalid§	17		ns
R6	$t_d(\text{RSL-LOWV})$ Delay time, reset low to low group valid§	38P + 17		ns
R7	$t_d(\text{RSL-HIGHIV})$ Delay time, reset low to high group invalid§	9		ns
R8	$t_d(\text{RSL-HIGHV})$ Delay time, reset low to high group valid§	38P + 9		ns
R9	$t_d(\text{RSL-ZHZ})$ Delay time, reset low to Z group high impedance¶	18		ns
R10	$t_d(\text{RSL-ZV})$ Delay time, reset low to Z group valid¶	39P + 18		ns

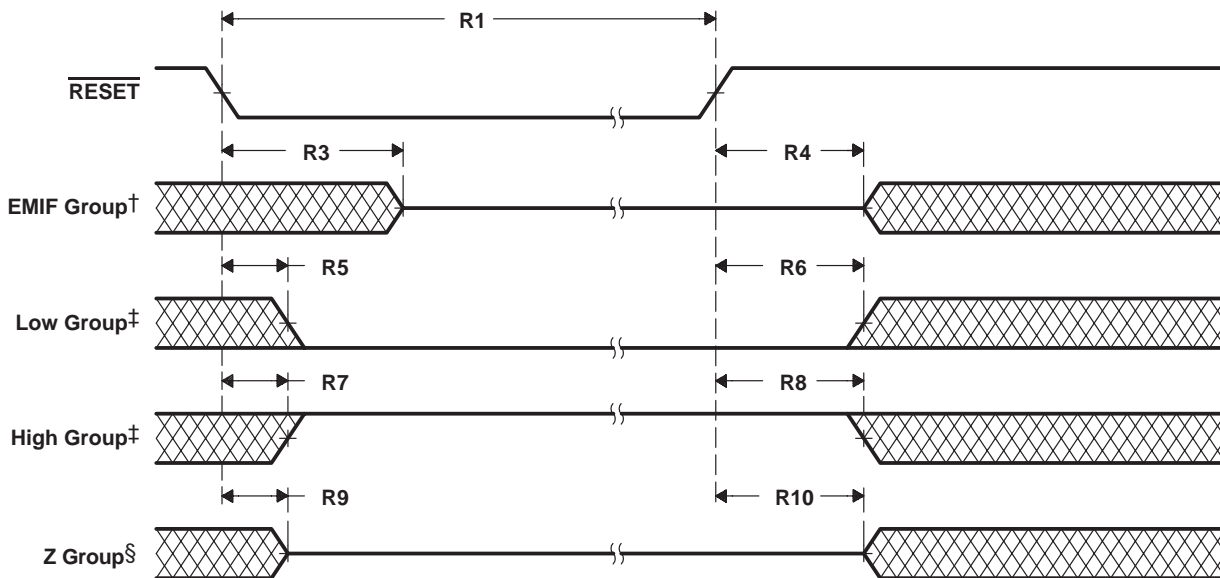
† P = 1/CPU clock frequency in ns. For example, when running parts at 200 MHz, use P = 5 ns.

‡ EMIF group: $\overline{\text{CE}}[0:3]$, $\overline{\text{BE}}[0:3]$, CLKMEM, ARE, AOE, AWE, SSADS, SSOE, SSWE, SDRAS, SDCAS, SDWE, and SDA10

§ High group: $\overline{\text{HINT}}$

Low group: $\overline{\text{HOLDA}}$

¶ Z group: A[21:0], D[31:0], CLKR[2:0], CLKX[2:0], FSR[2:0], FSX[2:0], DX[2:0], IO[7:0], XF, and TIN/TOUT[1:0]



† EMIF group: $\overline{\text{CE}}[0:3]$, $\overline{\text{BE}}[0:3]$, CLKMEM, ARE, AOE, AWE, SSADS, SSOE, SSWE, SDRAS, SDCAS, SDWE, and SDA10

‡ High group: $\overline{\text{HINT}}$

Low group: $\overline{\text{HOLDA}}$

§ Z group: A[21:0], D[31:0], CLKR[2:0], CLKX[2:0], FSR[2:0], FSX[2:0], DX[2:0], IO[7:0], XF, and TIN/TOUT[1:0]

Figure 5–15. Reset Timing

5.10 External Interrupt Timings

Table 5–17 assumes testing over recommended operating conditions (see Figure 5–16).

Table 5–17. External Interrupt Timing Requirements†

NO.			VC5510-200		UNIT
			MIN	MAX	
I1	$t_w(\text{INTL})_A$	Pulse width, interrupt low, CPU active	3P		ns
I2	$t_w(\text{INTH})_A$	Pulse width, interrupt high, CPU active	2P		ns

† P = 1/CPU clock frequency in ns. For example, when running parts at 200 MHz, use P = 5 ns.

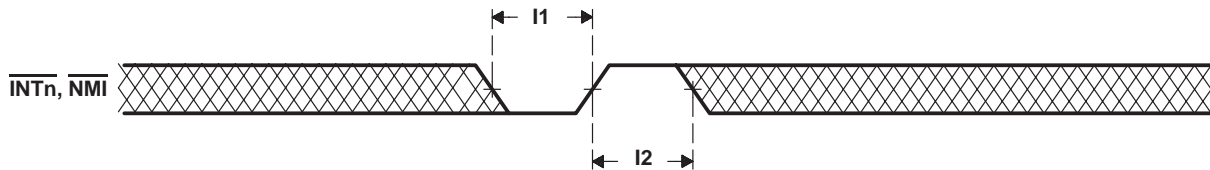


Figure 5–16. External Interrupt Timing

5.11 XF Timings

Table 5–18 assumes testing over recommended operating conditions (see Figure 5–17).

Table 5–18. XF Switching Characteristics

NO.	PARAMETER		VC5510-200		UNIT
			MIN	MAX	
X1	$t_d(\text{XF})$	Delay time, CLKOUT high to XF high	0	4	ns
		Delay time, CLKOUT high to XF low	0	4	

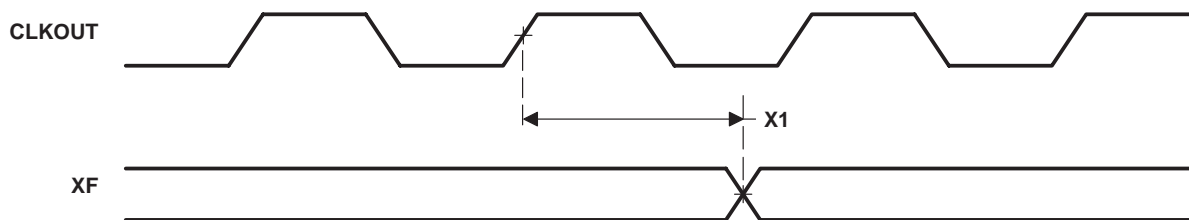


Figure 5–17. XF Timing

5.12 General-Purpose Input/Output (IOx) Timings

Table 5–19 and Table 5–20 assume testing over recommended operating conditions (see Figure 5–18).

Table 5–19. General-Purpose Input/Output (GPIO) Pins Configured as Inputs Timing Requirements

NO.		VC5510-200		UNIT
		MIN	MAX	
G2	$t_{su}(GPIO-COH)$ Setup time, IOx input valid before CLKOUT high	8		ns
G3	$t_h(COH-GPIO)$ Hold time, IOx input valid after CLKOUT high	0		ns

Table 5–20. General-Purpose Input/Output (GPIO) Pins Configured as Inputs Switching Characteristics

NO.	PARAMETER	VC5510-200		UNIT
		MIN	MAX	
G1	$t_d(COH-GPIO)$ Delay time, CLKOUT high to IOx output change	0	6	ns

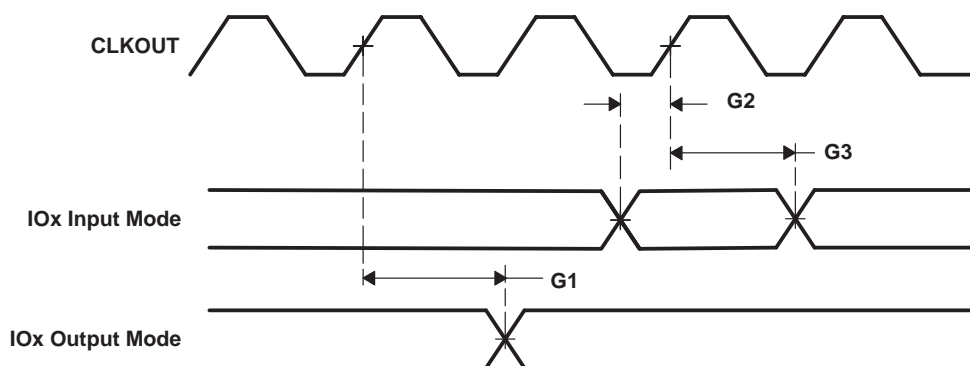


Figure 5–18. General-Purpose Input/Output (IOx) Signal Timings

5.13 TIN/TOUT Timings

Table 5–21 and Table 5–22 assumes testing over recommended operating conditions (see Figure 5–19 and Figure 5–20).

Table 5–21. TIN/TOUT Pins Configured as Inputs Timing Requirements†

NO.		VC5510-200		UNIT
		MIN	MAX	
T4	$t_w(\text{TIN/TOUTL})$ Pulse width, TIN/TOUT low	2P + 1		ns
T5	$t_w(\text{TIN/TOUTH})$ Pulse width, TIN/TOUT high	2P + 1		ns

† P = 1/CPU clock frequency in ns. For example, when running parts at 200 MHz, use P = 5 ns.

Table 5–22. TIN/TOUT Pins Configured as Outputs Switching Characteristics†‡

NO.	PARAMETER	VC5510-200		UNIT
		MIN	MAX	
T1	$t_d(\text{COH-TIN/TOUTH})$ Delay time, CLKOUT high to TIN/TOUT high	0	2	ns
T2	$t_d(\text{COH-TIN/TOUTL})$ Delay time, CLKOUT high to TIN/TOUT low	0	2	ns
T3	$t_w(\text{TIN/TOUT})$ Pulse duration, TIN/TOUT (output)	P		ns

† P = 1/CPU clock frequency in ns. For example, when running parts at 200 MHz, use P = 5 ns.

‡ For proper operation of the TIN/TOUT pin configured as an output, the timer period must be configured for at least 4 cycles.

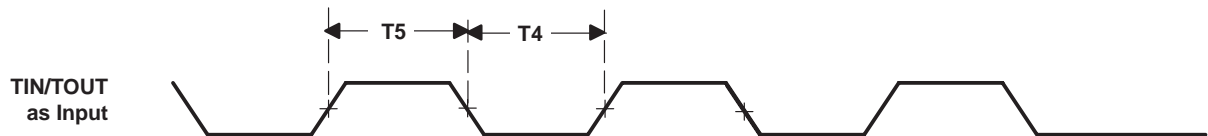


Figure 5–19. TIN/TOUT Timing When Configured as Inputs

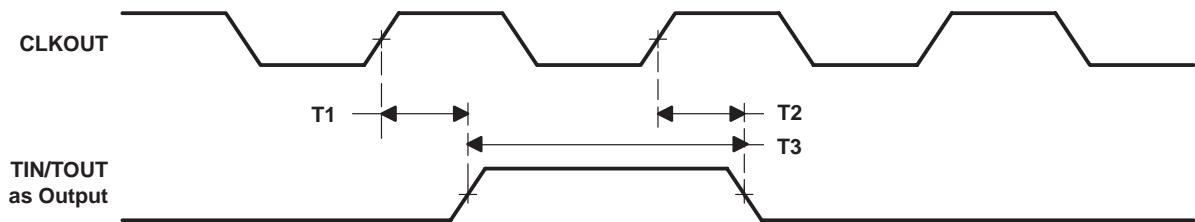


Figure 5–20. TIN/TOUT Timing When Configured as Outputs

5.14 Multichannel Buffered Serial Port (McBSP) Timings

5.14.1 McBSP Transmit and Receive Timings

Table 5–23 and Table 5–24 assume testing over recommended operating conditions (see Figure 5–21 and Figure 5–22).

Table 5–23. McBSP Timing Requirements†‡

NO.				VC5510-200		UNIT
				MIN	MAX	
M11	$t_c(\text{CKRX})$	Cycle time, CLKR/X	CLKR/X ext	2P		ns
M12	$t_w(\text{CKRX})$	Pulse duration, CLKR/X high or CLKR/X low	CLKR/X ext	P–1		ns
M13	$t_r(\text{CKRX})$	Rise time, CLKR/X	CLKR/X ext		5	ns
M14	$t_f(\text{CKRX})$	Fall time, CLKR/X	CLKR/X ext		5	ns
M15	$t_{su}(\text{FRH-CKRL})$	Setup time, external FSR high before CLKR low	CLKR int		5	ns
			CLKR ext		1	
M16	$t_h(\text{CKRL-FRH})$	Hold time, external FSR high after CLKR low	CLKR int		0	ns
			CLKR ext		2	
M17	$t_{su}(\text{DRV-CKRL})$	Setup time, DR valid before CLKR low	CLKR int		4	ns
			CLKR ext		1	
M18	$t_h(\text{CKRL-DRV})$	Hold time, DR valid after CLKR low	CLKR int		0	ns
			CLKR ext		2	
M19	$t_{su}(\text{FXH-CKXL})$	Setup time, external FSX high before CLKX low	CLKX int		5	ns
			CLKX ext		1	
M20	$t_h(\text{CKXL-FXH})$	Hold time, external FSX high after CLKX low	CLKX int		0	ns
			CLKX ext		2	

† Polarity bits CLKRP = CLKXP = FSRP = FSXP = 0. If the polarity of any of the signals is inverted, then the timing references of that signal are also inverted.

‡ P = 1/CPU clock frequency in ns. For example, when running parts at 200 MHz, use P = 5 ns.

Table 5–24. McBSP Switching Characteristics†‡

NO.	PARAMETER		VC5510-200		UNIT	
			MIN	MAX		
M1	$t_c(\text{CKRX})$	Cycle time, CLKR/X	CLKR/X int	2P	ns	
M2	$t_w(\text{CKRXH})$	Pulse duration, CLKR/X high	CLKR/X int	D–1§ D+1§	ns	
M3	$t_w(\text{CKRXL})$	Pulse duration, CLKR/X low	CLKR/X int	C–1§ C+1§	ns	
M4	$t_d(\text{CKRH-FRV})$	Delay time, CLKR high to internal FSR valid	CLKR int	–2 2	ns	
			CLKR ext	3 7	ns	
M5	$t_d(\text{CKXH-FXV})$	Delay time, CLKX high to internal FSX valid	CLKX int	–2 2	ns	
			CLKX ext	3 7		
M6	$t_{\text{dis}}(\text{CKXH-DXHZ})$	Disable time, CLKX high to DX high impedance following last data bit	CLKX int	0 2	ns	
			CLKX ext	1 11		
M7	$t_d(\text{CKXH-DXV})$	Delay time, CLKX high to DX valid. This applies to all bits except the first bit transmitted.	CLKX int	6	ns	
			CLKX ext	9		
		Delay time, CLKX high to DX valid¶	DXENA = 0	CLKX int		6
			DXENA = 0	CLKX ext		9
		Only applies to first bit transmitted when in Data Delay 1 or 2 (XDATDLY=01b or 10b) modes	DXENA = 1	CLKX int		2P+6
			DXENA = 1	CLKX ext		2P+9
M8	$t_{\text{en}}(\text{CKXH-DX})$	Enable time, CLKX high to DX driven¶	DXENA = 0	CLKX int	0	ns
			DXENA = 0	CLKX ext	6	
		Only applies to first bit transmitted when in Data Delay 1 or 2 (XDATDLY=01b or 10b) modes	DXENA = 1	CLKX int	P	
			DXENA = 1	CLKX ext	P+6	
M9	$t_d(\text{FXH-DXV})$	Delay time, FSX high to DX valid¶	DXENA = 0	FSX int	5	ns
			DXENA = 0	FSX ext	9	
		Only applies to first bit transmitted when in Data Delay 0 (XDATDLY=00b) mode.	DXENA = 1	FSX int	2P+5	
			DXENA = 1	FSX ext	2P+9	
M10	$t_{\text{en}}(\text{FXH-DX})$	Enable time, FSX high to DX driven¶	DXENA = 0	FSX int	0	ns
			DXENA = 0	FSX ext	6	
		Only applies to first bit transmitted when in Data Delay 0 (XDATDLY=00b) mode	DXENA = 1	FSX int	P	
			DXENA = 1	FSX ext	P+6	

† Polarity bits CLKRP = CLKXP = FSRP = FSXP = 0. If the polarity of any of the signals is inverted, then the timing references of that signal are also inverted.

‡ P = 1/CPU clock frequency in ns. For example, when running parts at 200 MHz, use P = 5 ns.

§ T=CLKRX period = (1 + CLKGDV) * P

C=CLKRX low pulse width = T/2 when CLKGDV is odd or zero and = (CLKGDV/2) * P when CLKGDV is even

D=CLKRX high pulse width = T/2 when CLKGDV is odd or zero and = (CLKGDV/2 + 1) * P when CLKGDV is even

¶ See the *TMS320C55x DSP Peripherals Reference Guide* (literature number SPRU317) for a description of the DX enable (DXENA) and data delay features of the McBSP.

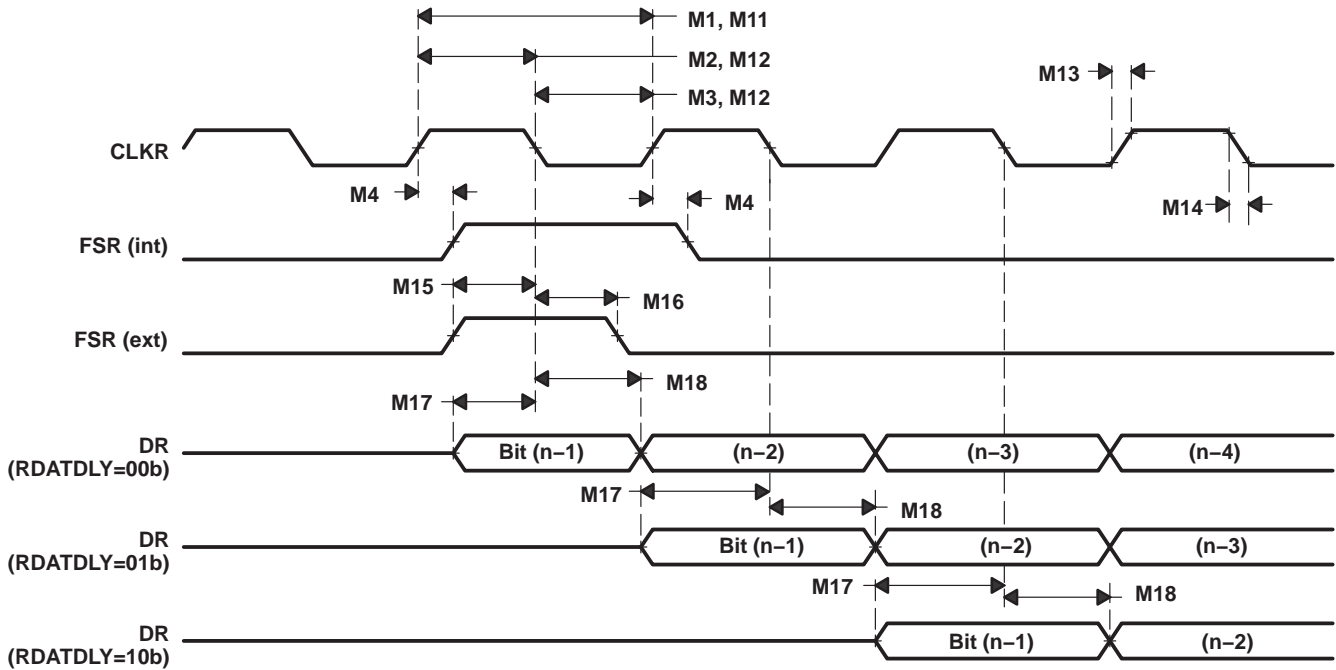


Figure 5–21. McBSP Receive Timings

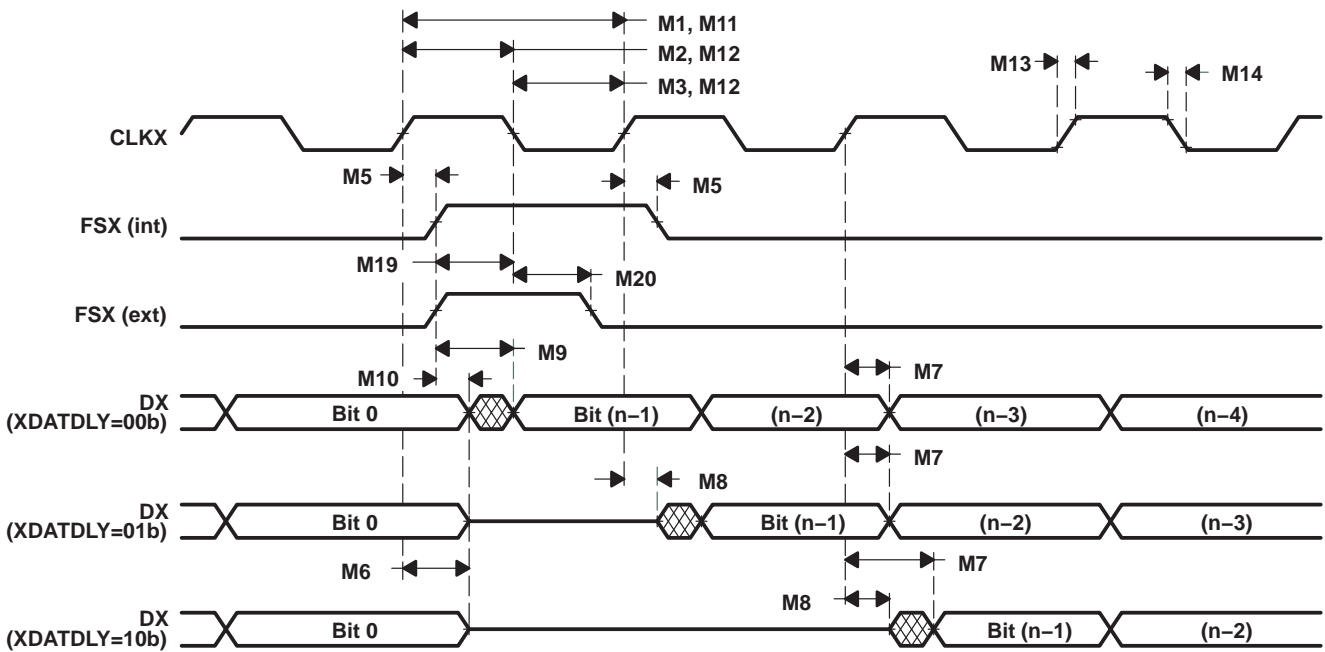


Figure 5–22. McBSP Transmit Timings

5.14.2 McBSP General-Purpose I/O Timing

Table 5–25 and Table 5–26 assume testing over recommended operating conditions (see Figure 5–23).

Table 5–25. McBSP General-Purpose I/O Timing Requirements

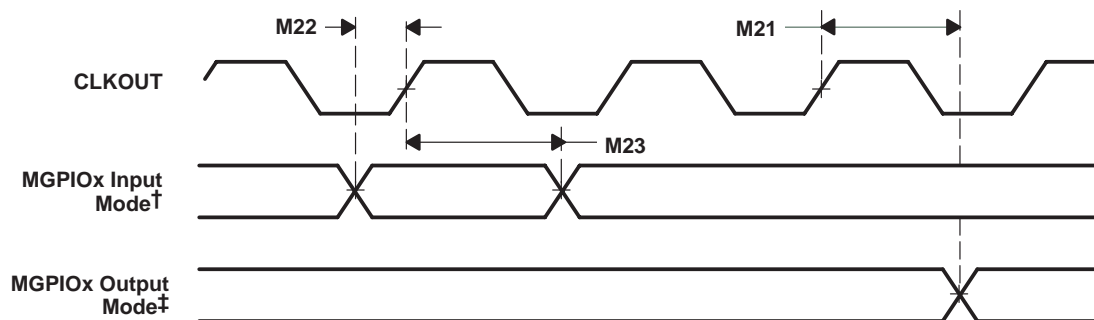
NO.		VC5510-200		UNIT
		MIN	MAX	
M22	$t_{su}(MGPIO-COH)$ Setup time, MGPIOx input mode before CLKOUT high†	7		ns
M23	$t_h(COH-MGPIO)$ Hold time, MGPIOx input mode after CLKOUT high†	0		ns

† MGPIOx refers to CLKRx, FSRx, DRx, CLKXx, or FSXx when configured as a general-purpose input.

Table 5–26. McBSP General-Purpose I/O Switching Characteristics

NO.	PARAMETER	VC5510-200		UNIT
		MIN	MAX	
M21	$t_d(COH-MGPIO)$ Delay time, CLKOUT high to MGPIOx output mode‡	0	3	ns

‡ MGPIOx refers to CLKRx, FSRx, CLKXx, FSXx, or DXx when configured as a general-purpose output.



† MGPIOx refers to CLKRx, FSRx, DRx, CLKXx, or FSXx when configured as a general-purpose input.

‡ MGPIOx refers to CLKRx, FSRx, CLKXx, FSXx, or DXx when configured as a general-purpose output.

Figure 5–23. McBSP General-Purpose I/O Timings

5.14.3 McBSP as SPI Master or Slave Timing

Table 5–27 to Table 5–34 assume testing over recommended operating conditions (see Figure 5–24 through Figure 5–27).

Table 5–27. McBSP as SPI Master or Slave Timing Requirements (CLKSTP = 10b, CLKXP = 0)†‡

NO.		VC5510-200				UNIT
		MASTER		SLAVE		
		MIN	MAX	MIN	MAX	
M30	$t_{su}(DRV-CKXL)$	Setup time, DR valid before CLKX low		4	3 – 6P	ns
M31	$t_h(CKXL-DRV)$	Hold time, DR valid after CLKX low		1	1 + 6P	ns
M32	$t_{su}(BFXL-CKXH)$	Setup time, FSX low before CLKX high			10	ns
M33	$t_c(CKX)$	Cycle time, CLKX		2P	16P	ns

† For all SPI slave modes, CLKG is programmed as 1/2 of the CPU clock by setting CLKSM = CLKGDV = 1.

‡ P = 1/CPU clock frequency in ns. For example, when running parts at 200 MHz, use P = 5 ns.

Table 5–28. McBSP as SPI Master or Slave Switching Characteristics (CLKSTP = 10b, CLKXP = 0)†‡

NO.	PARAMETER	VC5510-200				UNIT
		MASTER§		SLAVE		
		MIN	MAX	MIN	MAX	
M24	$t_d(CKXL-FXL)$	Delay time, FSX low to CLKX low¶		T – 1	T + 3	ns
M25	$t_d(FXL-CKXH)$	Delay time, FSX low to CLKX high#		C – 2	C + 2	ns
M26	$t_d(CKXH-DXV)$	Delay time, CLKX high to DX valid		–2	4	3P + 2 5P + 8
M27	$t_{dis}(CKXL-DXHZ)$	Disable time, DX high impedance following last data bit from CLKX low		C – 2	C	ns
M28	$t_{dis}(FXH-DXHZ)$	Disable time, DX high impedance following last data bit from FSX high			3P + 8 3P + 20	ns
M29	$t_d(FXL-DXV)$	Delay time, FSX low to DX valid			3P – 3 3P + 20	ns

† For all SPI slave modes, CLKG is programmed as 1/2 of the CPU clock by setting CLKSM = CLKGDV = 1.

‡ P = 1/CPU clock frequency in ns. For example, when running parts at 200 MHz, use P = 5 ns.

§ T = CLKX period = (1 + CLKGDV) * P

C = CLKX low pulse width = T/2 when CLKGDV is odd or zero and = (CLKGDV/2) * P when CLKGDV is even

¶ FSRP = FSXP = 1. As a SPI master, FSX is inverted to provide active-low slave-enable output. As a slave, the active-low signal input on FSX and FSR is inverted before being used internally.

CLKXM = FSXM = 1, CLKRM = FSRM = 0 for master McBSP

CLKXM = CLKRM = FSXM = FSRM = 0 for slave McBSP

FSX should be low before the rising edge of clock to enable slave devices and then begin a SPI transfer at the rising edge of the master clock (CLKX).

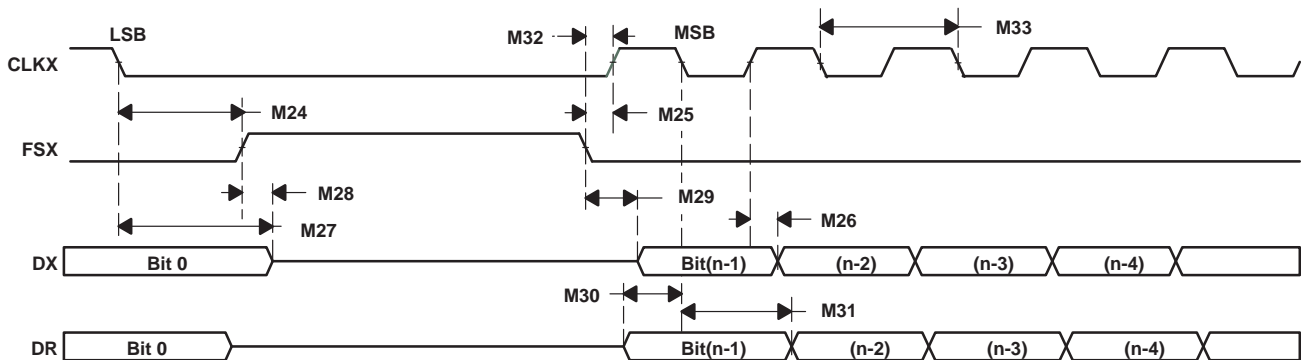


Figure 5–24. McBSP Timing as SPI Master or Slave: CLKSTP = 10b, CLKXP = 0

Table 5–29. McBSP as SPI Master or Slave Timing Requirements (CLKSTP = 11b, CLKXP = 0)†‡

NO.		VC5510-200				UNIT
		MASTER		SLAVE		
		MIN	MAX	MIN	MAX	
M39	$t_{su}(DRV-CKXH)$	Setup time, DR valid before CLKX high		4	3 – 6P	ns
M40	$t_h(CKXH-DRV)$	Hold time, DR valid after CLKX high		1	1 + 6P	ns
M41	$t_{su}(FXL-CKXH)$	Setup time, FSX low before CLKX high			10	ns
M42	$t_c(CKX)$	Cycle time, CLKX		2P	16P	ns

† For all SPI slave modes, CLKG is programmed as 1/2 of the CPU clock by setting CLKSM = CLKGDV = 1.

‡ P = 1/CPU clock frequency in ns. For example, when running parts at 200 MHz, use P = 5 ns.

Table 5–30. McBSP as SPI Master or Slave Switching Characteristics (CLKSTP = 11b, CLKXP = 0)†‡

NO.	PARAMETER	VC5510-200				UNIT		
		MASTER§		SLAVE				
		MIN	MAX	MIN	MAX			
M34	$t_d(CKXL-FXL)$	Delay time, FSX low to CLKX low¶		C – 1	C + 3	ns		
M35	$t_d(FXL-CKXH)$	Delay time, FSX low to CLKX high#		T – 2	T + 2	ns		
M36	$t_d(CKXL-DXV)$	Delay time, CLKX low to DX valid		–2	4	3P + 2	5P + 8	ns
M37	$t_{dis}(CKXL-DXHZ)$	Disable time, DX high impedance following last data bit from CLKX low		–2	0	3P + 8	3P + 21	ns
M38	$t_d(FXL-DXV)$	Delay time, FSX low to DX valid		D – 2	D + 10	3P – 3	3P + 21	ns

† For all SPI slave modes, CLKG is programmed as 1/2 of the CPU clock by setting CLKSM = CLKGDV = 1.

‡ P = 1/CPU clock frequency in ns. For example, when running parts at 200 MHz, use P = 5 ns.

§ T = CLKX period = (1 + CLKGDV) * P

C = CLKX low pulse width = T/2 when CLKGDV is odd or zero and = (CLKGDV/2) * P when CLKGDV is even

D = CLKX high pulse width = T/2 when CLKGDV is odd or zero and = (CLKGDV/2 + 1) * P when CLKGDV is even

¶ FSRP = FSXP = 1. As a SPI master, FSX is inverted to provide active-low slave-enable output. As a slave, the active-low signal input on FSX and FSR is inverted before being used internally.

CLKXM = FSXM = 1, CLKRM = FSRM = 0 for master McBSP

CLKXM = CLKRM = FSXM = FSRM = 0 for slave McBSP

FSX should be low before the rising edge of clock to enable slave devices and then begin a SPI transfer at the rising edge of the master clock (CLKX).

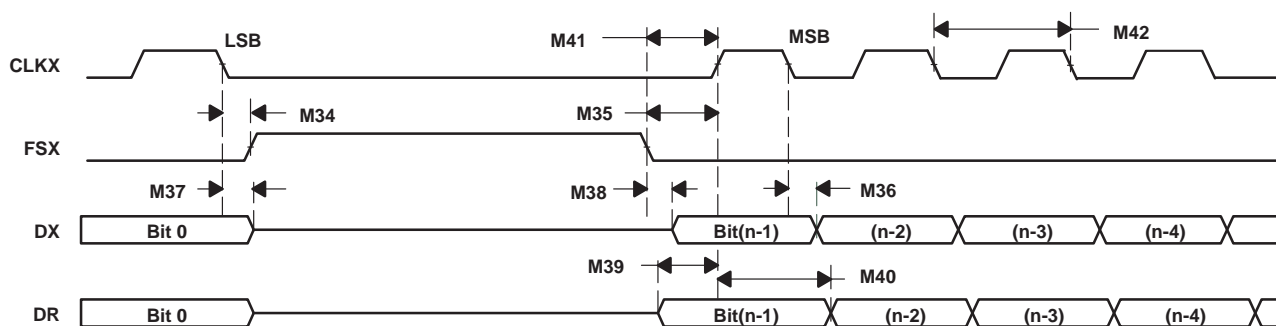
**Figure 5–25. McBSP Timing as SPI Master or Slave: CLKSTP = 11b, CLKXP = 0**

Table 5–31. McBSP as SPI Master or Slave Timing Requirements (CLKSTP = 10b, CLKXP = 1)†‡

NO.		VC5510-200				UNIT
		MASTER		SLAVE		
		MIN	MAX	MIN	MAX	
M49	$t_{su}(DRV-CKXH)$	Setup time, DR valid before CLKX high		4	3 – 6P	ns
M50	$t_h(CKXH-DRV)$	Hold time, DR valid after CLKX high		1	1 + 6P	ns
M51	$t_{su}(FXL-CKXL)$	Setup time, FSX low before CLKX low			10	ns
M52	$t_c(CKX)$	Cycle time, CLKX		2P	16P	ns

† For all SPI slave modes, CLKG is programmed as 1/2 of the CPU clock by setting CLKSM = CLKGDV = 1.

‡ P = 1/CPU clock frequency in ns. For example, when running parts at 200 MHz, use P = 5 ns.

Table 5–32. McBSP as SPI Master or Slave Switching Characteristics (CLKSTP = 10b, CLKXP = 1)†‡

NO.	PARAMETER	VC5510-200				UNIT
		MASTER§		SLAVE		
		MIN	MAX	MIN	MAX	
M43	$t_d(CKXH-FXL)$	Delay time, FSX low to CLKX high¶		T – 1	T + 3	ns
M44	$t_d(FXL-CKXL)$	Delay time, FSX low to CLKX low#		D – 2	D + 2	ns
M45	$t_d(CKXL-DXV)$	Delay time, CLKX low to DX valid		–2	4	3P + 2 5P + 8
M46	$t_{dis}(CKXH-DXHZ)$	Disable time, DX high impedance following last data bit from CLKX high		D – 2	D	ns
M47	$t_{dis}(FXH-DXHZ)$	Disable time, DX high impedance following last data bit from FSX high			3P + 8 3P + 20	ns
M48	$t_d(FXL-DXV)$	Delay time, FSX low to DX valid			3P – 3 3P + 20	ns

† For all SPI slave modes, CLKG is programmed as 1/2 of the CPU clock by setting CLKSM = CLKGDV = 1.

‡ P = 1/CPU clock frequency in ns. For example, when running parts at 200 MHz, use P = 5 ns.

§ T = CLKX period = (1 + CLKGDV) * P

D = CLKX high pulse width = T/2 when CLKGDV is odd or zero and = (CLKGDV/2 + 1) * P when CLKGDV is even

¶ FSRP = FSXP = 1. As a SPI master, FSX is inverted to provide active-low slave-enable output. As a slave, the active-low signal input on FSX and FSR is inverted before being used internally.

CLKXM = FSXM = 1, CLKRM = FSRM = 0 for master McBSP

CLKXM = CLKRM = FSXM = FSRM = 0 for slave McBSP

FSX should be low before the rising edge of clock to enable slave devices and then begin a SPI transfer at the rising edge of the master clock (CLKX).

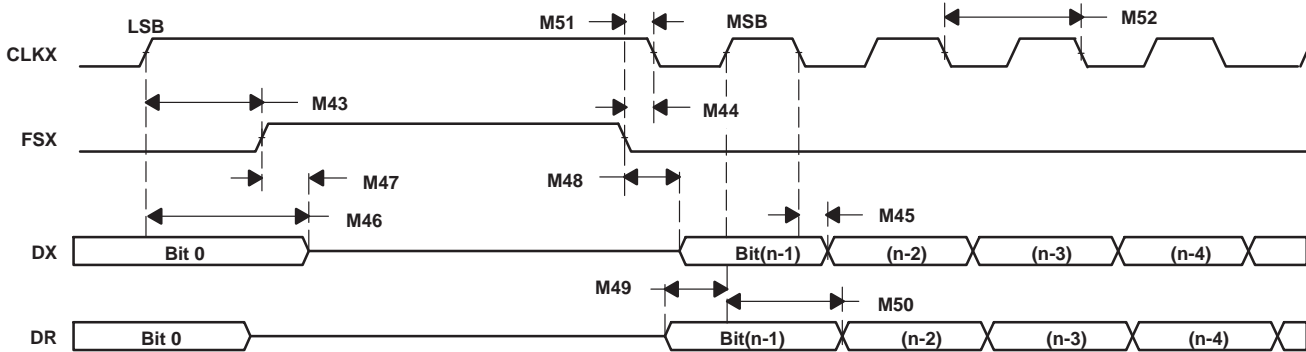


Figure 5–26. McBSP Timing as SPI Master or Slave: CLKSTP = 10b, CLKXP = 1

Table 5–33. McBSP as SPI Master or Slave Timing Requirements (CLKSTP = 11b, CLKXP = 1)†‡

NO.		VC5510-200				UNIT
		MASTER		SLAVE		
		MIN	MAX	MIN	MAX	
M58	$t_{su}(DRV-CKXL)$	Setup time, DR valid before CLKX low		4	3 – 6P	ns
M59	$t_h(CKXL-DRV)$	Hold time, DR valid after CLKX low		1	1 + 6P	ns
M60	$t_{su}(FXL-CKXL)$	Setup time, FSX low before CLKX low			10	ns
M61	$t_c(CKX)$	Cycle time, CLKX		2P	16P	ns

† For all SPI slave modes, CLKG is programmed as 1/2 of the CPU clock by setting CLKSM = CLKGDV = 1.

‡ P = 1/CPU clock frequency in ns. For example, when running parts at 200 MHz, use P = 5 ns.

Table 5–34. McBSP as SPI Master or Slave Switching Characteristics (CLKSTP = 11b, CLKXP = 1)†‡

NO.	PARAMETER	VC5510-200				UNIT
		MASTER§		SLAVE		
		MIN	MAX	MIN	MAX	
M53	$t_d(CKXH-FXL)$	Delay time, FSX low to CLKX high¶		D – 1	D + 3	ns
M54	$t_d(FXL-CKXL)$	Delay time, FSX low to CLKX low#		T – 2	T + 2	ns
M55	$t_d(CKXH-DXV)$	Delay time, CLKX high to DX valid		–2	4	3P + 2 5P + 8
M56	$t_{dis}(CKXH-DXHZ)$	Disable time, DX high impedance following last data bit from CLKX high		–2	0	3P + 8 3P + 21
M57	$t_d(FXL-DXV)$	Delay time, FSX low to DX valid		C – 2	C + 10	3P – 3 3P + 21

† For all SPI slave modes, CLKG is programmed as 1/2 of the CPU clock by setting CLKSM = CLKGDV = 1.

‡ P = 1/CPU clock frequency in ns. For example, when running parts at 200 MHz, use P = 5 ns.

§ T = CLKX period = (1 + CLKGDV) * P

C = CLKX low pulse width = T/2 when CLKGDV is odd or zero and = (CLKGDV/2) * P when CLKGDV is even

D = CLKX high pulse width = T/2 when CLKGDV is odd or zero and = (CLKGDV/2 + 1) * P when CLKGDV is even

¶ FSRP = FSXP = 1. As a SPI master, FSX is inverted to provide active-low slave-enable output. As a slave, the active-low signal input on FSX and FSR is inverted before being used internally.

CLKXM = FSXM = 1, CLKRM = FSRM = 0 for master McBSP

CLKXM = CLKRM = FSXM = FSRM = 0 for slave McBSP

FSX should be low before the rising edge of clock to enable slave devices and then begin a SPI transfer at the rising edge of the master clock (CLKX).

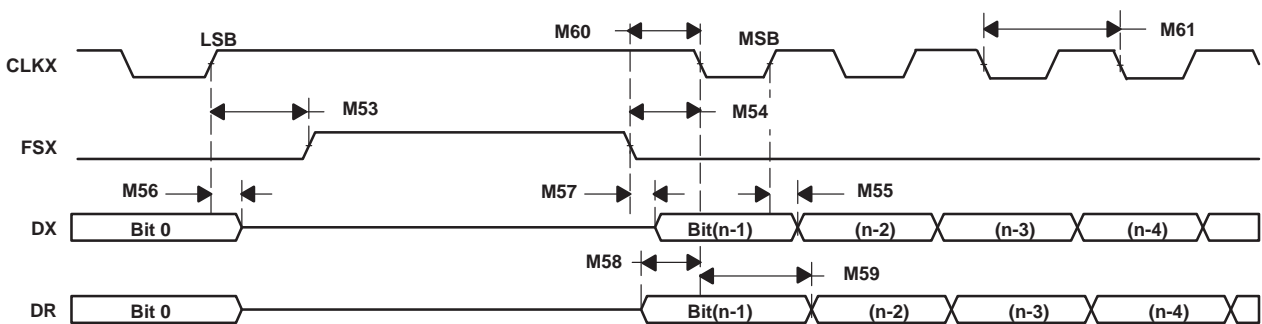


Figure 5–27. McBSP Timing as SPI Master or Slave: CLKSTP = 11b, CLKXP = 1

5.15 Enhanced Host-Port Interface (EHPI) Timing

Table 5–35 and Table 5–36 assume testing over recommended operating conditions (see Figure 5–28 through Figure 5–32).

Table 5–35. EHPI Timing Requirements

NO.		VC5510-200		UNIT
		MIN	MAX	
E11	$t_{su}(HASL-HDSL)$ Setup time, \overline{HAS} low before \overline{HDS} low	4		ns
E12	$t_h(HDSL-HASL)$ Hold time, \overline{HAS} low after \overline{HDS} low	3		ns
E13	$t_{su}(HCNTLV-HDSL)$ Setup time, $(\overline{HR}/\overline{W}, HA[19:0], HCNTL[1:0])$ valid before \overline{HDS} low	4		ns
E14	$t_h(HDSL-HCNTLIV)$ Hold time, $(\overline{HR}/\overline{W}, HA[19:0], HCNTL[1:0])$ invalid after \overline{HDS} low	4		ns
E15	$t_w(HDSL)$ Pulse duration, \overline{HDS} low	4P [†]		ns
E16	$t_w(HDSH)$ Pulse duration, \overline{HDS} high	4P [†]		ns
E17	$t_{su}(HDV-HDSH)$ Setup time, HD bus write data valid before \overline{HDS} high	5		ns
E18	$t_h(HDSH-HDIV)$ Hold time, HD bus write data invalid after \overline{HDS} high	3		ns
E19	$t_{su}(HCNTLV-HASL)$ Setup time, $(\overline{HR}/\overline{W}, HCNTL[1:0])$ valid before \overline{HAS} low	5		ns
E20	$t_h(HASL-HCNTLIV)$ Hold time, $(\overline{HR}/\overline{W}, HCNTL[1:0])$ valid after \overline{HAS} low	3		ns

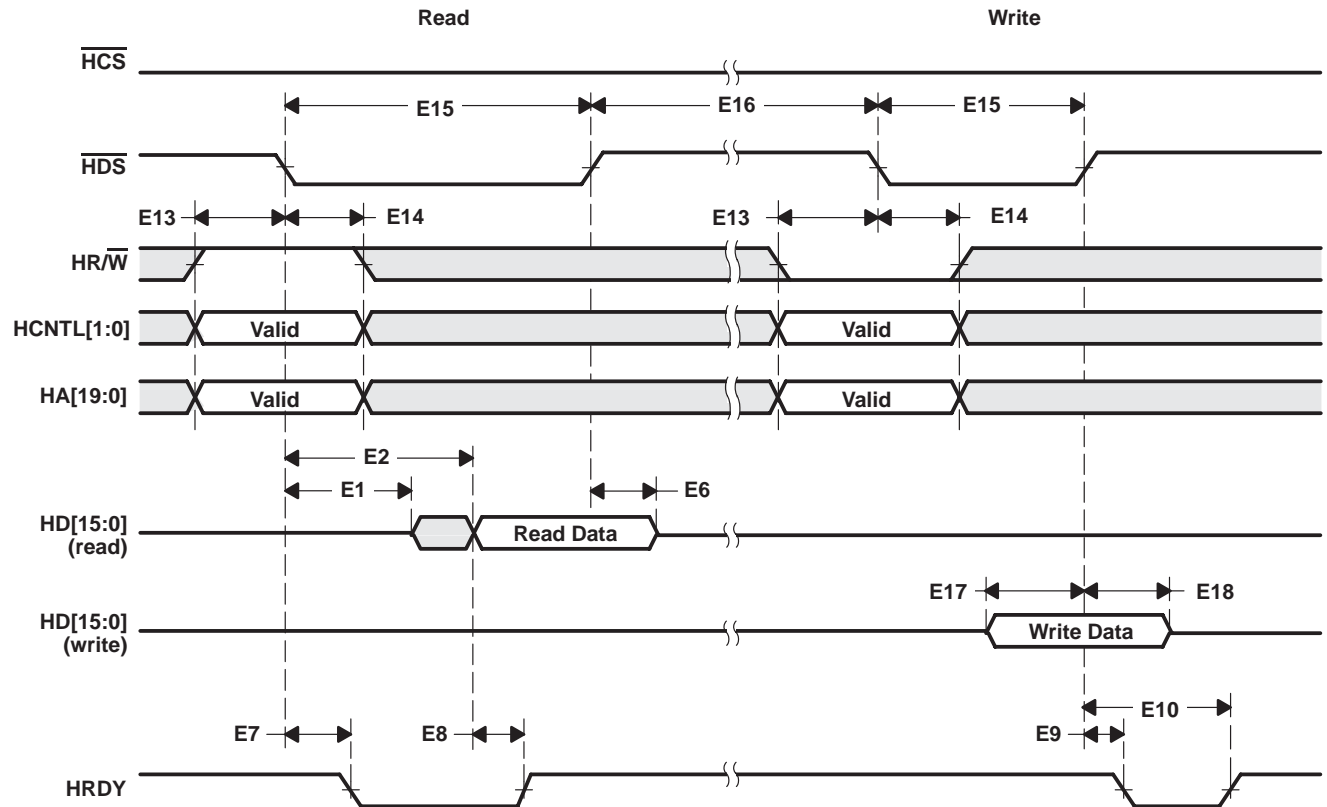
[†] P = 1/CPU clock frequency in ns. For example, when running parts at 200 MHz, use P = 5 ns.

Table 5–36. EHPI Switching Characteristics

NO.	PARAMETER	VC5510-200		UNIT
		MIN	MAX	
E1	$t_d(HDSL-HDD)M$ Delay time, \overline{HDS} low to HD bus read data driven (memory access)	6	16	ns
E2	$t_d(HDSL-HDV1)M$ Delay time, \overline{HDS} low to HD bus read data valid (memory access)	14P+10 ^{††}		ns
E4	$t_d(HDSL-HDD)R$ Delay time, \overline{HDS} low to HD bus read data driven (register access)	6	16	ns
E5	$t_d(HDSL-HDV)R$ Delay time, \overline{HDS} low to HD bus read data valid (register access)		16	ns
E6	$t_{dis}(HDSH-HDIV)$ Disable time, \overline{HDS} high to HD bus read data invalid	6	16	ns
E7	$t_d(HDSL-HRDYL)$ Delay time, \overline{HDS} low to HRDY low (during reads)		P+10 [†]	ns
E8	$t_d(HDV-HRDYH)$ Delay time, HD bus valid to HRDY high (during reads)	2		ns
E9	$t_d(HDSH-HRDYL)$ Delay time, \overline{HDS} high to HRDY low (during writes)		16	ns
E10	$t_d(HDSH-HRDYH)$ Delay time, \overline{HDS} high to HRDY high (during writes)	14P+10 [†]		ns

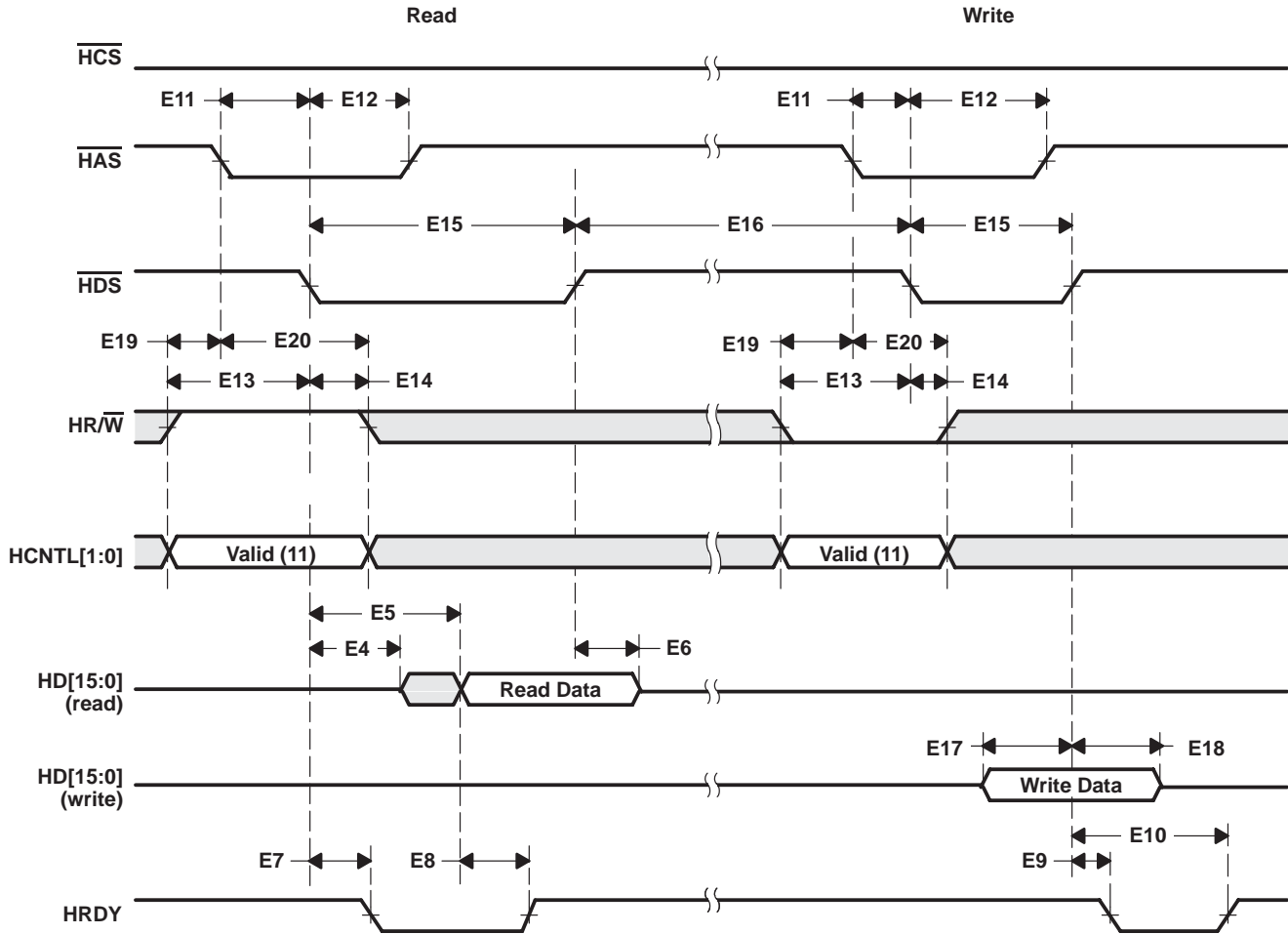
[†] P = 1/CPU clock frequency in ns. For example, when running parts at 200 MHz, use P = 5 ns.

^{††} EHPI latency is dependent on the number of DMA channels active, their priorities and their source/destination ports. The latency shown assumes no competing CPU or DMA activity to the memory resource being accessed by the EHPI.



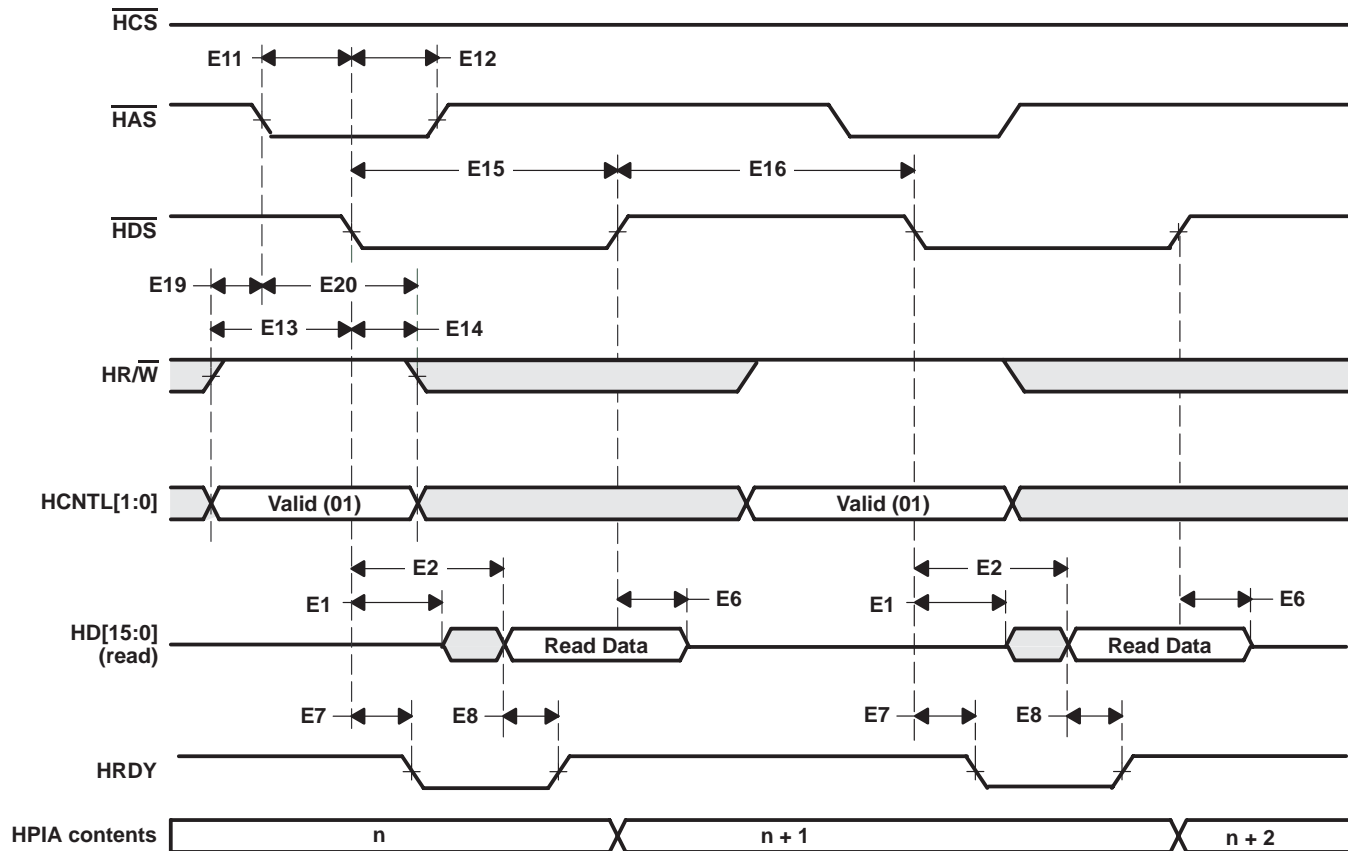
- NOTES: A. As of revision 2.1, the byte-enable function on the EHPI (as controlled by pins $\overline{HBE0}$ and $\overline{HBE1}$) is no longer supported. These pins must always be driven low either by an external device, by external pulldown resistors or by using the on-chip pulldown circuitry controlled by the HPE bit in the System Register (SYSR).
- B. The falling edge of \overline{HCS} must occur concurrent with or before the falling edge of \overline{HDS} . The rising edge of \overline{HCS} must occur concurrent with or after the rising edge of \overline{HDS} . If $\overline{HDS1}$ and/or $\overline{HDS2}$ are tied low and \overline{HCS} is used as a strobe, the timing requirements shown for \overline{HDS} apply to \overline{HCS} . Operation with \overline{HCS} as a strobe is not recommended because \overline{HCS} gates output of \overline{HRDY} (when \overline{HCS} is high \overline{HRDY} is not driven).

Figure 5–28. EHPI Nonmultiplexed Read/Write Timings



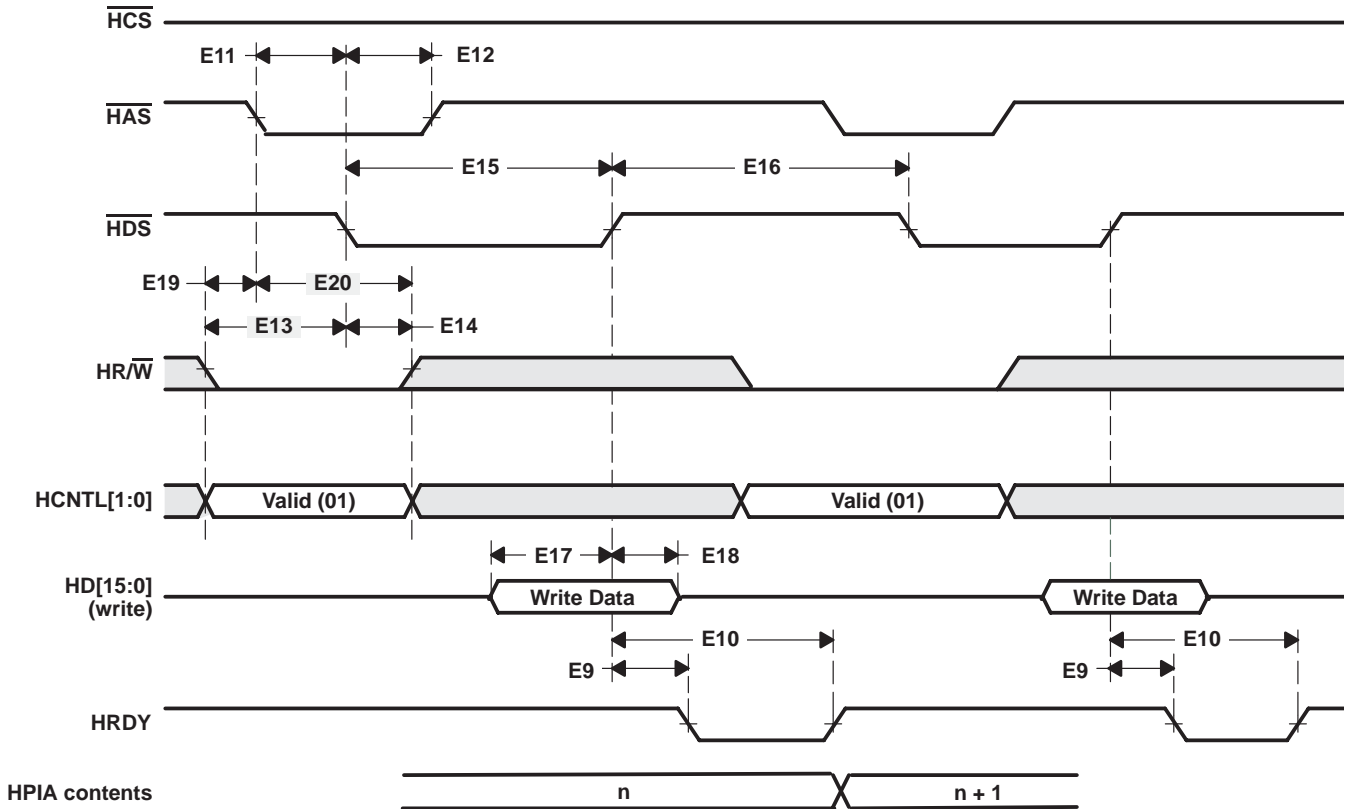
- NOTES:
- A. As of revision 2.1, the byte-enable function on the EHPI (as controlled by pins $\overline{\text{HBE0}}$ and $\overline{\text{HBE1}}$) is no longer supported. These pins must always be driven low either by an external device, by external pulldown resistors or by using the on-chip pulldown circuitry controlled by the HPE bit in the System Register (SYSR).
 - B. The falling edge of $\overline{\text{HCS}}$ must occur concurrent with or before the falling edge of $\overline{\text{HDS}}$. The rising edge of $\overline{\text{HCS}}$ must occur concurrent with or after the rising edge of $\overline{\text{HDS}}$. If $\overline{\text{HDS1}}$ and/or $\overline{\text{HDS2}}$ are tied low and $\overline{\text{HCS}}$ is used as a strobe, the timing requirements shown for $\overline{\text{HDS}}$ apply to $\overline{\text{HCS}}$. Operation with $\overline{\text{HCS}}$ as a strobe is not recommended because $\overline{\text{HCS}}$ gates output of HRDY (when $\overline{\text{HCS}}$ is high HRDY is not driven).

Figure 5–29. EHPI Multiplexed Memory (HPID) Access Read/Write Timings Without Autoincrement



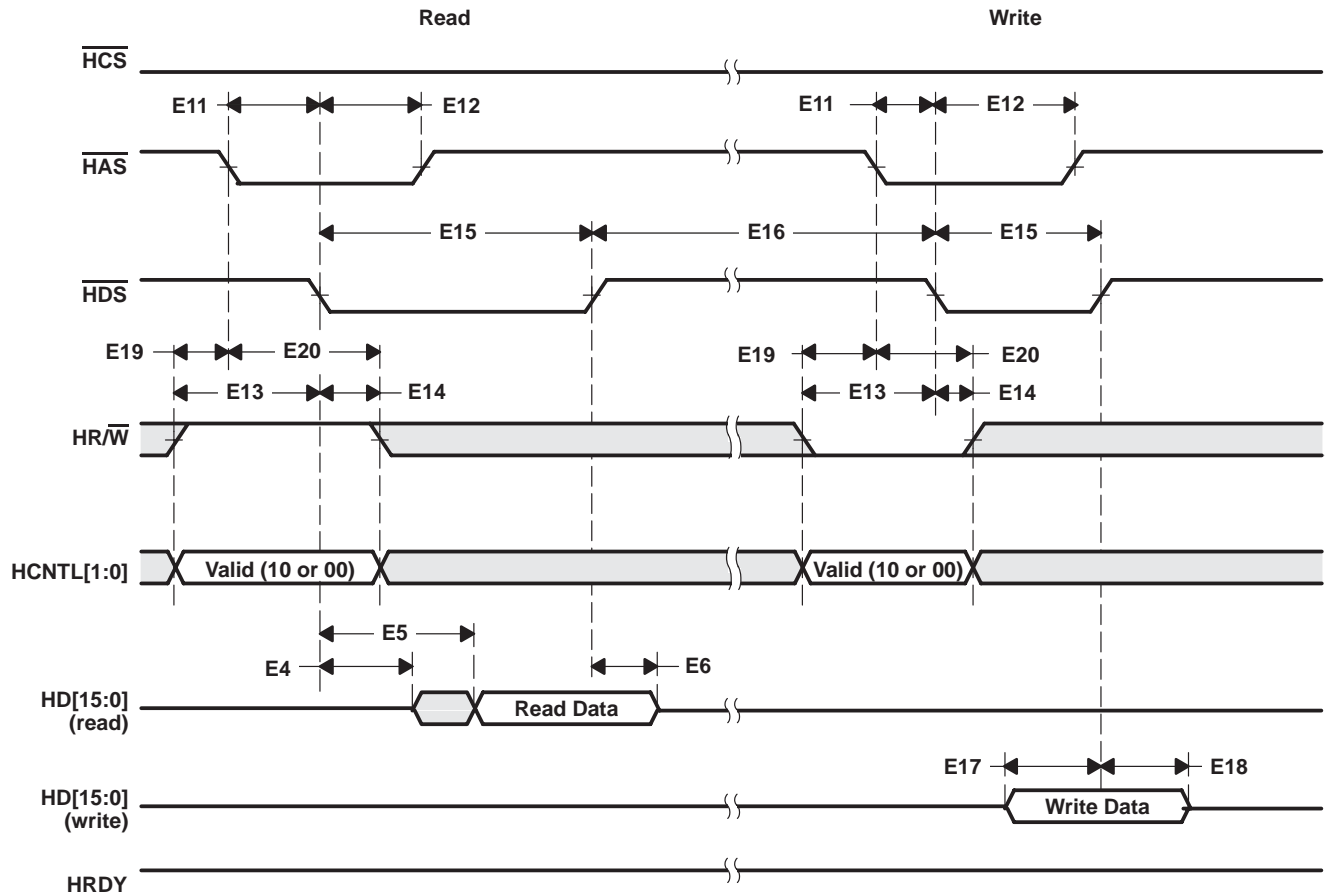
- NOTES:
- As of revision 2.1, the byte-enable function on the EHPI (as controlled by pins $\overline{\text{HBE0}}$ and $\overline{\text{HBE1}}$) is no longer supported. These pins must always be driven low either by an external device, by external pulldown resistors or by using the on-chip pulldown circuitry controlled by the HPE bit in the System Register (SYSR).
 - During autoincrement mode, although the EHPI internally increments the memory address, reads of the HPIA register by the host will always indicate the base address.
 - The falling edge of $\overline{\text{HCS}}$ must occur concurrent with or before the falling edge of $\overline{\text{HDS}}$. The rising edge of $\overline{\text{HCS}}$ must occur concurrent with or after the rising edge of $\overline{\text{HDS}}$. If $\overline{\text{HDS1}}$ and/or $\overline{\text{HDS2}}$ are tied low and $\overline{\text{HCS}}$ is used as a strobe, the timing requirements shown for $\overline{\text{HDS}}$ apply to $\overline{\text{HCS}}$. Operation with $\overline{\text{HCS}}$ as a strobe is not recommended because $\overline{\text{HCS}}$ gates output of $\overline{\text{HRDY}}$ (when $\overline{\text{HCS}}$ is high $\overline{\text{HRDY}}$ is not driven).

Figure 5–30. EHPI Multiplexed Memory (HPID) Access Read Timings With Autoincrement



- NOTES:
- As of revision 2.1, the byte-enable function on the EHPI (as controlled by pins $\overline{\text{HBE0}}$ and $\overline{\text{HBE1}}$) is no longer supported. These pins must always be driven low either by an external device, by external pulldown resistors or by using the on-chip pulldown circuitry controlled by the HPE bit in the System Register (SYSR).
 - During autoincrement mode, although the EHPI internally increments the memory address, reads of the HPIA register by the host will always indicate the base address.
 - The falling edge of $\overline{\text{HCS}}$ must occur concurrent with or before the falling edge of $\overline{\text{HDS}}$. The rising edge of $\overline{\text{HCS}}$ must occur concurrent with or after the rising edge of $\overline{\text{HDS}}$. If $\overline{\text{HDS1}}$ and/or $\overline{\text{HDS2}}$ are tied low and $\overline{\text{HCS}}$ is used as a strobe, the timing requirements shown for $\overline{\text{HDS}}$ apply to $\overline{\text{HCS}}$. Operation with $\overline{\text{HCS}}$ as a strobe is not recommended because $\overline{\text{HCS}}$ gates output of $\overline{\text{HRDY}}$ (when $\overline{\text{HCS}}$ is high $\overline{\text{HRDY}}$ is not driven).

Figure 5–31. EHPI Multiplexed Memory (HPID) Access Write Timings With Autoincrement



- NOTES:
- As of revision 2.1, the byte-enable function on the EHPI (as controlled by pins $\overline{\text{HBE0}}$ and $\overline{\text{HBE1}}$) is no longer supported. These pins must always be driven low either by an external device, by external pulldown resistors or by using the on-chip pulldown circuitry controlled by the HPE bit in the System Register (SYSR).
 - During auto-increment mode, although the EHPI internally increments the memory address, reads of the HPIA register by the host will always indicate the base address.
 - The falling edge of $\overline{\text{HCS}}$ must occur concurrent with or before the falling edge of $\overline{\text{HDS}}$. The rising edge of $\overline{\text{HCS}}$ must occur concurrent with or after the rising edge of $\overline{\text{HDS}}$. If $\overline{\text{HDS1}}$ and/or $\overline{\text{HDS2}}$ are tied low and $\overline{\text{HCS}}$ is used as a strobe, the timing requirements shown for $\overline{\text{HDS}}$ apply to $\overline{\text{HCS}}$. Operation with $\overline{\text{HCS}}$ as a strobe is not recommended because $\overline{\text{HCS}}$ gates output of HRDY (when $\overline{\text{HCS}}$ is high HRDY is not driven).

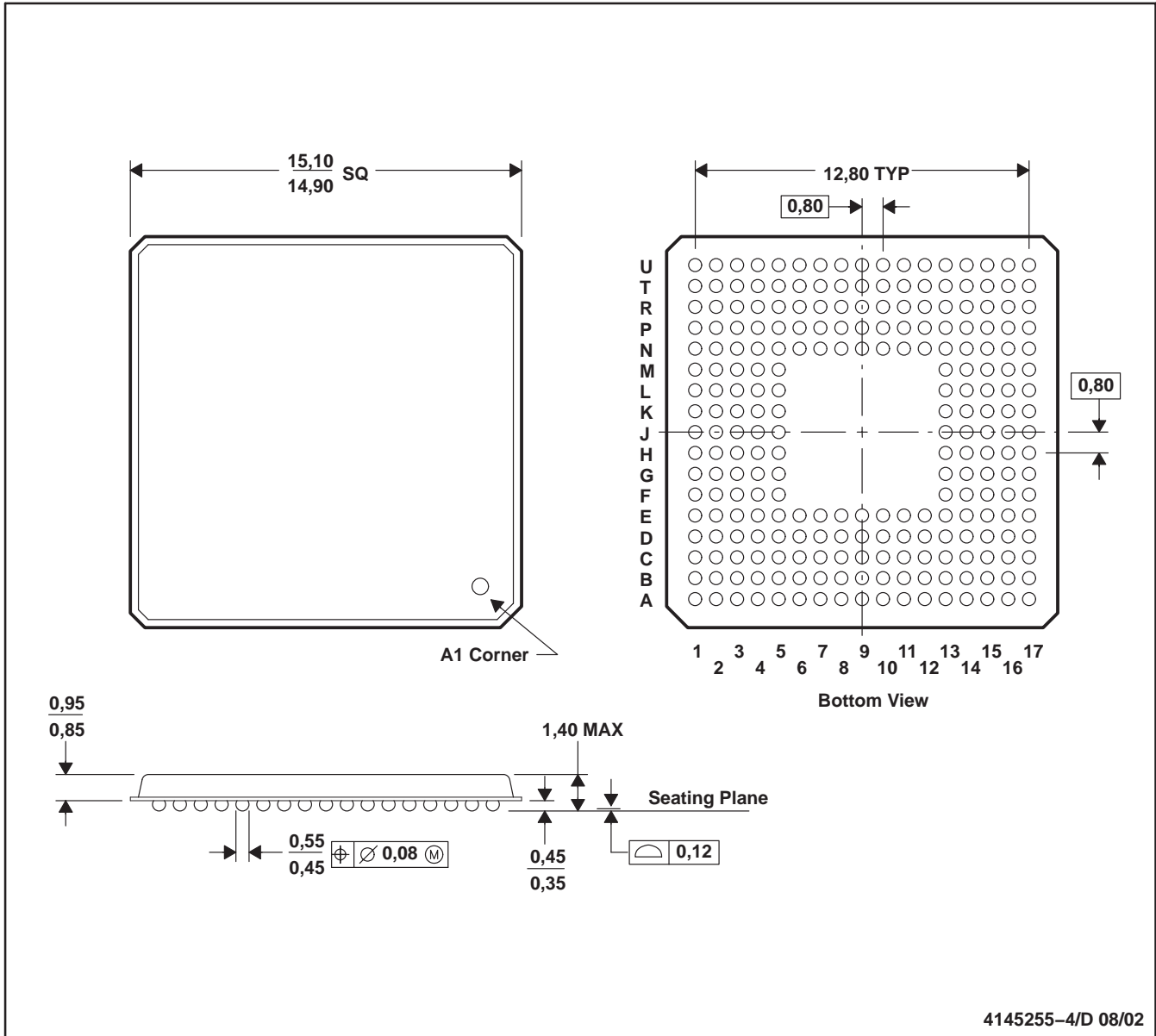
Figure 5–32. EHPI Multiplexed Register Access Read/Write Timings

6 Mechanical Data

6.1 Ball Grid Array (GGW) Package Mechanical Data

GGW (S-PBGA-N240)

PLASTIC BALL GRID ARRAY



- NOTES: A. All linear dimensions are in millimeters.
 B. This drawing is subject to change without notice
 C. MicroStar BGA™ configuration.

Figure 6-1. 320VC5510 240-Ball MicroStar BGA™ Plastic Ball Grid Array Package

PACKAGING INFORMATION

Orderable Device	Status ⁽¹⁾	Package Type	Package Drawing	Pins	Package Qty	Eco Plan ⁽²⁾	Lead/Ball Finish	MSL Peak Temp ⁽³⁾
SM32VC5510AGGWA2EP	ACTIVE	BGA MI CROSTAR	GGW	240	126	TBD	SNPB	Level-3-220C-168 HR
V62/04605-01XA	ACTIVE	BGA MI CROSTAR	GGW	240	126	TBD	SNPB	Level-3-220C-168 HR

⁽¹⁾ The marketing status values are defined as follows:

ACTIVE: Product device recommended for new designs.

LIFEBUY: TI has announced that the device will be discontinued, and a lifetime-buy period is in effect.

NRND: Not recommended for new designs. Device is in production to support existing customers, but TI does not recommend using this part in a new design.

PREVIEW: Device has been announced but is not in production. Samples may or may not be available.

OBSOLETE: TI has discontinued the production of the device.

⁽²⁾ Eco Plan - The planned eco-friendly classification: Pb-Free (RoHS), Pb-Free (RoHS Exempt), or Green (RoHS & no Sb/Br) - please check <http://www.ti.com/productcontent> for the latest availability information and additional product content details.

TBD: The Pb-Free/Green conversion plan has not been defined.

Pb-Free (RoHS): TI's terms "Lead-Free" or "Pb-Free" mean semiconductor products that are compatible with the current RoHS requirements for all 6 substances, including the requirement that lead not exceed 0.1% by weight in homogeneous materials. Where designed to be soldered at high temperatures, TI Pb-Free products are suitable for use in specified lead-free processes.

Pb-Free (RoHS Exempt): This component has a RoHS exemption for either 1) lead-based flip-chip solder bumps used between the die and package, or 2) lead-based die adhesive used between the die and leadframe. The component is otherwise considered Pb-Free (RoHS compatible) as defined above.

Green (RoHS & no Sb/Br): TI defines "Green" to mean Pb-Free (RoHS compatible), and free of Bromine (Br) and Antimony (Sb) based flame retardants (Br or Sb do not exceed 0.1% by weight in homogeneous material)

⁽³⁾ MSL, Peak Temp. -- The Moisture Sensitivity Level rating according to the JEDEC industry standard classifications, and peak solder temperature.

Important Information and Disclaimer:The information provided on this page represents TI's knowledge and belief as of the date that it is provided. TI bases its knowledge and belief on information provided by third parties, and makes no representation or warranty as to the accuracy of such information. Efforts are underway to better integrate information from third parties. TI has taken and continues to take reasonable steps to provide representative and accurate information but may not have conducted destructive testing or chemical analysis on incoming materials and chemicals. TI and TI suppliers consider certain information to be proprietary, and thus CAS numbers and other limited information may not be available for release.

In no event shall TI's liability arising out of such information exceed the total purchase price of the TI part(s) at issue in this document sold by TI to Customer on an annual basis.

