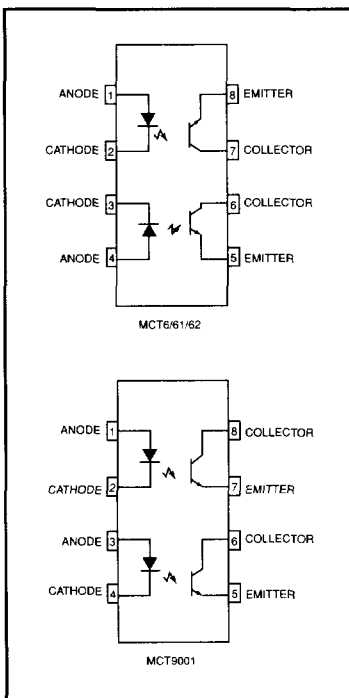
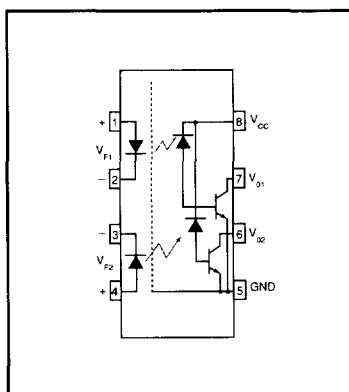


Part Number	V _{OL} (V) max	CTR @ 16mA I _F (%)		I _{CCL} (μA) max	t _{PHL} /t _{PLH} (μs) max	V _{ISO} AC[RMS]	Pkg Outline		Agency Approvals		
		min	max				QT	MOT	Standard	VDE 0884	
										QT	MOT
6N135	0.4	7	50	200	1.5/1.5	2.5kV	D	N/A	A, U	N/A	N/A
6N136	0.4	19	50	200	0.8/0.8	2.5kV	D	N/A	A, U	N/A	N/A
CNW135	0.4	7	-	200	1.5/1.5	5.0kV	B	N/A	A,B,D,F,N,S,U	.300	N/A
CNW136	0.4	19	-	200	0.8/0.8	5.0kV	B	N/A	A,B,D,F,N,S,U	.300	N/A
CNW4502	0.4	19	-	200	0.8/0.8	5.0kV	B	N/A	A,B,D,F,N,S,U	.300	N/A
HCPL-2503	0.4	12	50	200	0.8/0.8	2.5kV	D	N/A	A, U	N/A	N/A
HCPL-4502	0.4	19	50	200	0.8/0.8	2.5kV	D	N/A	A, U	N/A	N/A



Part Number	CTR @ 5mA I _F (%)		BV _{CEO} (V) min	BV _{ECO} (V) min	t _{ON} /t _{OFF} (μs) max	V _{ISO} AC[RMS]	Pkg Outline		Agency Approvals		
	min	max					QT	MOT	Standard	VDE 0884	
										QT	MOT
MCT6	20*	-	30	6	-	5.3kV	D	N/A	A, U	.300	N/A
MCT61	50	-	30	6	-	5.3kV	D	N/A	A, U	.300	N/A
MCT62	100	-	30	6	-	5.3kV	D	N/A	A, U	.300	N/A
MCT9001	50	600	55	7	-	5.3kV	D	N/A	A, U	.300	N/A



Part Number	CTR @ 16mA I _F (%)		V _{OL} (V) max	I _{CCL} (μA) max	t _{PHL} /t _{PLH} (μs) max	V _{ISO} AC[RMS]	Pkg Outline		Agency Approvals		
	min	max					QT	MOT	Standard	VDE0884	
										QT	MOT
HCPL-2530	7	50	0.5	400	1.5/1.5	2.5kV	D	N/A	A, U	N/A	N/A
HCPL-2531	19	50	0.5	400	0.8/0.8	2.5kV	D	N/A	A, U	N/A	N/A

Notes:

Optocoupler package drawings appear on pages 23, 24 and 25
 * CTR measured at I_F = 10mA.