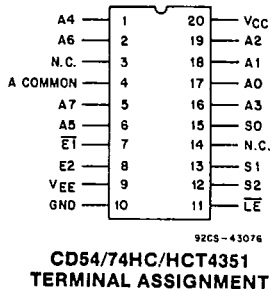


CD54/74HC4351, CD54/74HCT4351
 CD54/74HC4352, CD54/74HCT4352
 CD54/74HC4353, CD54/74HCT4353

File Number 2145

HARRIS SEMICOND SECTOR 27E D ■ 4302271 0018356 2 ■ HAS



Analog Multiplexers/Demultiplexers With Latch

Type Features:

- Wide analog input voltage range: ± 5 V max.
- Low "on" resistance:
 - 70 Ω type ($V_{CC}-V_{EE} = 4.5$ V)
 - 40 Ω type ($V_{CC}-V_{EE} = 9$ V)
- Low crosstalk between switches
- Fast switching and propagation speeds
- "Break-before-make" switching

The RCA CD54/74HC/HCT4351, 4352, and 4353 are digitally controlled analog switches which utilize silicon-gate CMOS technology to achieve operating speeds similar to LSTTL with the low power consumption of standard CMOS integrated circuits.

These analog multiplexers/demultiplexers are, in essence, the HC/HCT4051, 4052, and 4053 preceded by address latches that are controlled by an active low Latch Enable input (\overline{LE}). Two Enable inputs, one active low ($\overline{E1}$), and the other active high ($E2$) are provided allowing enabling with either input voltage level.

The CD54HC/HCT4351, 4352, and 4353 are supplied in 20-lead hermetic dual-in-line ceramic packages (F suffix). The CD74HC/HCT4351, 4352, and 4353 are supplied in 20-lead plastic packages (E suffix) and in 20-lead surface mount plastic packages (M suffix). All devices are also available in chip form (H suffix).

Family Features:

- Wide Operating Temperature Range:
 - CD74HC/HCT: -40°C to $+125^{\circ}\text{C}$
- Alternate Source is Philips/Signetics
- CD54HC/CD74HC Types:
 - 2 to 6 V Operation, control; 0 to 10 V, switch
 - High Noise Immunity:
 - $N_{IL} = 30\%$, $N_{IH} = 30\%$ of V_{CC} ; @ $V_{CC} = 5$ V
- CD54HCT/CD74HCT Types:
 - 4.5 to 5.5 V Operation, control; 0 to 10 V, switch
 - Direct LSTTL Input Logic Compatibility
 - $V_{IL} = 0.8$ V Max., $V_{IH} = 2$ V Min.
 - CMOS Input Compatibility
 - $I_1 \leq 1 \mu\text{A}$ @ V_{OL} , V_{OH}

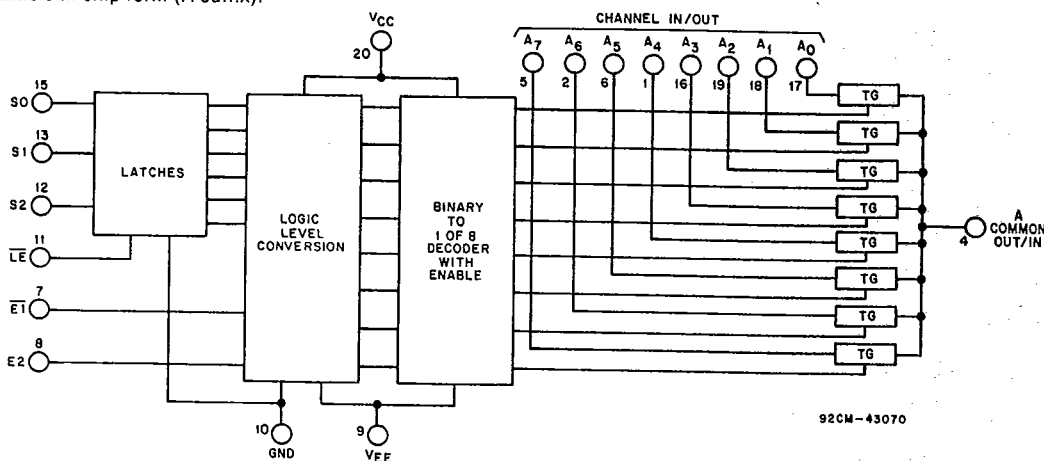


Fig. 1 - Functional diagram of HC/HCT4351.

HARRIS SEMICOND SECTOR 27E D 4302271 0018357 4 HAS

T-51-12 - New Data

CD54/74HC4351, CD54/74HCT4351
 CD54/74HC4352, CD54/74HCT4352
 CD/74HC4353, CD54/74HCT4353

TRUTH TABLE
 CD54/74HC/HCT4351

INPUT STATES					"ON" SWITCHES $\overline{LE} = H^*$
$\overline{E1}$	E2	S2	S1	S0	
L	H	L	L	L	A ₀
L	H	L	L	H	A ₁
L	H	L	H	L	A ₂
L	H	L	H	H	A ₃
L	H	H	L	L	A ₄
L	H	H	L	H	A ₅
L	H	H	H	L	A ₆
L	H	H	H	H	A ₇
H	L	X	X	X	None

X = Don't Care.
 * When \overline{LE} is low S0-S2 data are latched and switches cannot change state.

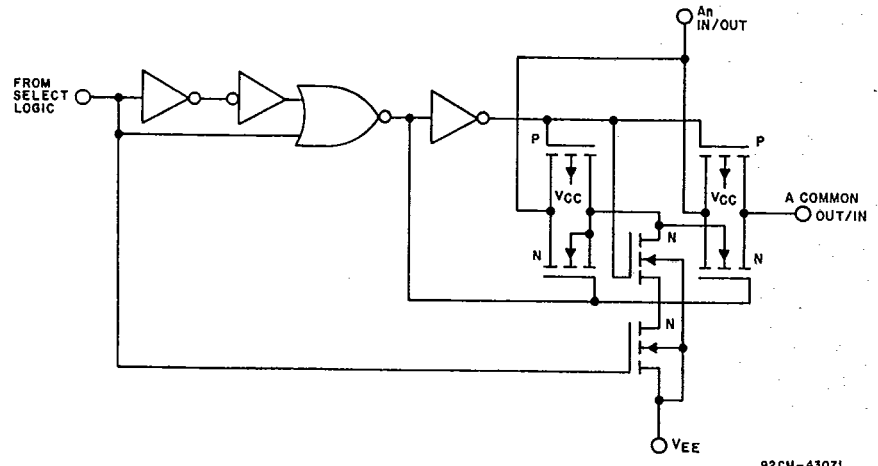
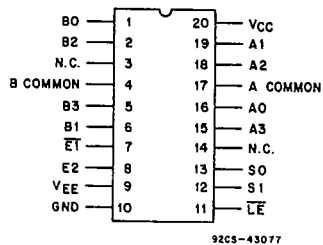


Fig. 2 - Detail of one HC/HCT4351 switch.

CD54/74HC4351, CD54/74HCT4351
 CD54/74HC4352, CD54/74HCT4352
 CD54/74HC4353, CD54/74HCT4353



CD54/74HC/HCT4352
 TERMINAL ASSIGNMENT

TRUTH TABLE
 CD54/74HC/HCT4352

INPUT STATES				"ON" CHANNELS $\overline{LE} = H^*$
$\overline{E1}$	E2	S1	S0	
L	H	L	L	A ₀ , B ₀
L	H	L	H	A ₁ , B ₁
L	H	H	L	A ₂ , B ₂
L	H	H	H	A ₃ , B ₃
H	L	X	X	None

X = Don't Care.

* When Latch Enable is "Low" channel-select data is latched and switches cannot change state.

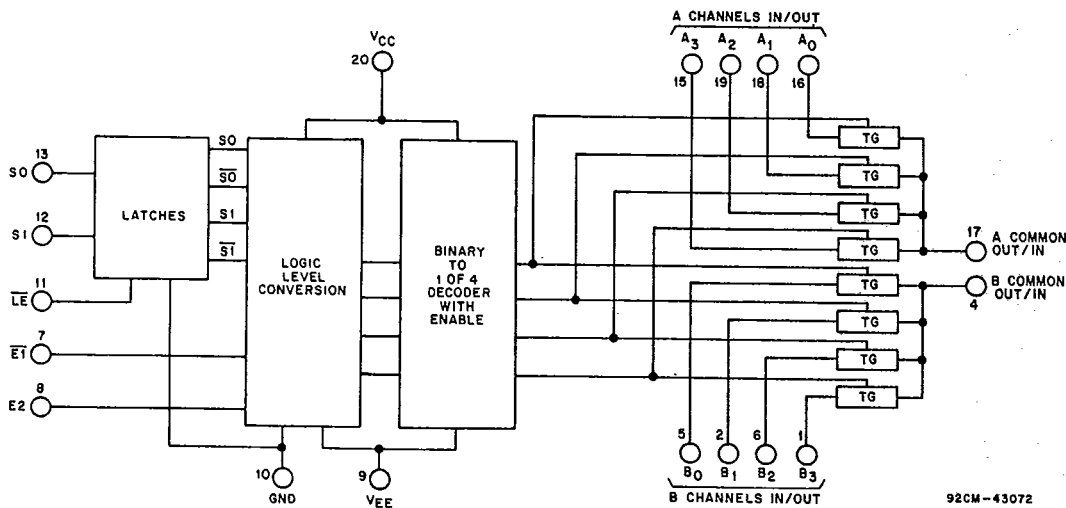


Fig. 3 - Functional diagram of HC/HCT4352.

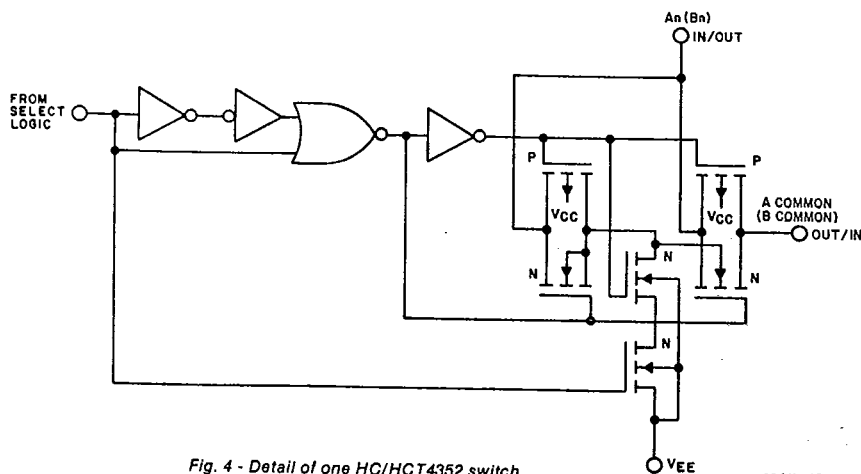


Fig. 4 - Detail of one HC/HCT4352 switch.

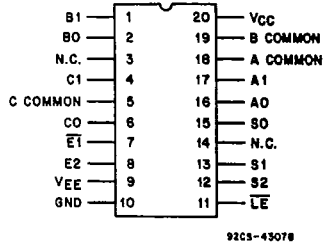
HARRIS SEMICONDUCTOR 27E D 4302271 001B358 B HAS

HARRIS SEMICONDUCTOR

CD54/74HC4351, CD54/74HCT4351
 CD54/74HC4352, CD54/74HCT4352
 CD54/74HC4353, CD54/74HCT4353

TRUTH TABLE CD54/74HC/HCT4353

INPUT STATES					"ON" CHANNELS LE = H*
E1	E2	S2	S1	S0	
L	H	L	L	L	C ₀ , B ₀ , A ₀
L	H	L	L	H	C ₀ , B ₀ , A ₁
L	H	L	H	L	C ₀ , B ₁ , A ₀
L	H	L	H	H	C ₀ , B ₁ , A ₁
L	H	H	L	L	C ₁ , B ₀ , A ₀
L	H	H	L	H	C ₁ , B ₀ , A ₁
L	H	H	H	L	C ₁ , B ₁ , A ₀
L	H	H	H	H	C ₁ , B ₁ , A ₁
H	X	X	X	X	None
X	L	X	X	X	None



CD54/74HC/HCT4353
 TERMINAL ASSIGNMENT

X = Don't Care.

* When Latch Enable is "Low" channel-select data is latched and switches cannot change state.

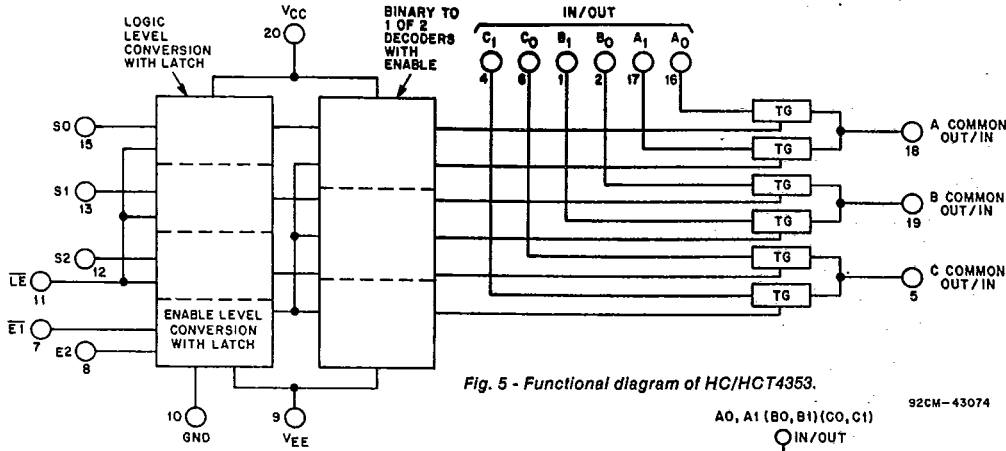


Fig. 5 - Functional diagram of HC/HCT4353.

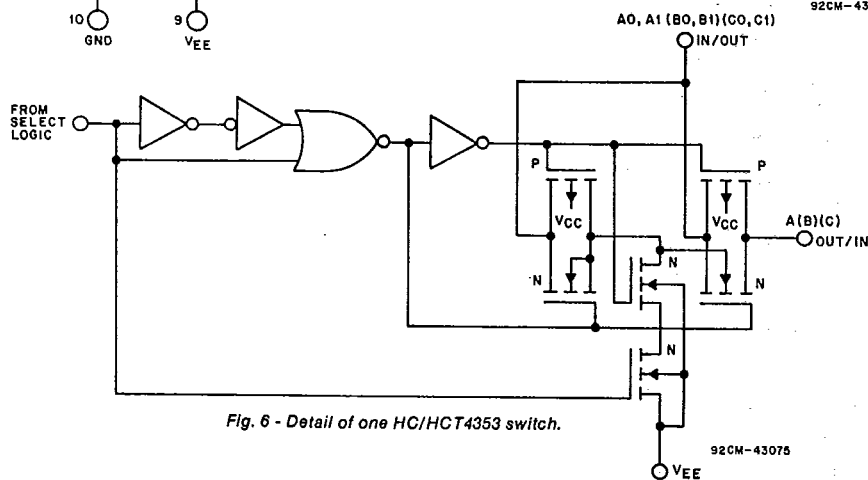


Fig. 6 - Detail of one HC/HCT4353 switch.

CD54/74HC4351, CD54/74HCT4351
CD54/74HC4352, CD54/74HCT4352
CD54/74HC4353, CD54/74HCT4353

MAXIMUM RATINGS, Absolute-Maximum Values: (All voltages referenced to Gnd unless otherwise shown)

DC SUPPLY-VOLTAGE ($V_{CC}-V_{EE}$)	-0.5 to +10.5 V
DC SUPPLY-VOLTAGE (V_{CC})	-0.5 to +7 V
DC SUPPLY-VOLTAGE (V_{EE})	+0.5 to -7 V
DC INPUT DIODE CURRENT, I_{IK} (FOR $V_i < -0.5$ V OR $V_i > V_{CC} + 0.5$ V)	± 20 mA
DC SWITCH DIODE CURRENT, I_{OK} (FOR $V_i < V_{EE} - 0.5$ V OR $V_i > V_{CC} + 0.5$ V)	± 20 mA
DC SWITCH CURRENT (FOR $V_i > V_{EE} - 0.5$ V OR $V_i < V_{CC} + 0.5$ V)	+25 mA
DC V_{CC} OR GROUND CURRENT (I_{CC})	± 50 mA
DC V_{EE} CURRENT (I_{EE})	-20 mA
POWER DISSIPATION PER PACKAGE (P_D):	
For $T_A = -40$ to $+100^\circ\text{C}$ (PACKAGE TYPE E)	500 mW
For $T_A = +100$ to $+125^\circ\text{C}$ (PACKAGE TYPE E)	Derate Linearly at 8 mW/ $^\circ\text{C}$ to 300 mW
For $T_A = -55$ to $+100^\circ\text{C}$ (PACKAGE TYPE F, H)	500 mW
For $T_A = +100$ to $+125^\circ\text{C}$ (PACKAGE TYPE F, H)	Derate Linearly at 8 mW/ $^\circ\text{C}$ to 300 mW
For $T_A = -40$ to $+70^\circ\text{C}$ (PACKAGE TYPE M)	400 mW
For $T_A = +70$ to $+125^\circ\text{C}$ (PACKAGE TYPE M)	Derate Linearly at 6 mW/ $^\circ\text{C}$ to 70 mW
OPERATING-TEMPERATURE RANGE (T_A):	
PACKAGE TYPE F, H	-55 to $+125^\circ\text{C}$
PACKAGE TYPE E, M	-40 to $+125^\circ\text{C}$
STORAGE TEMPERATURE (T_{STG})	
	-65 to $+150^\circ\text{C}$
LEAD TEMPERATURE (DURING SOLDERING):	
At distance $1/16 \pm 1/32$ in. (1.59 ± 0.79 mm) from case for 10 s max.	$+265^\circ\text{C}$
Unit inserted into a PC Board (min. thickness $1/16$ in., 1.59 mm) with solder contacting lead tips only	$+300^\circ\text{C}$

In certain applications, the external load-resistor current may include both V_{CC} and signal-line components. To avoid drawing V_{CC} current when switch current flows into the transmission gate inputs, the voltage drop across the bidirectional switch must not exceed 0.6 volt (calculated from R_{ON} values shown in Electrical Characteristics chart). No V_{CC} current will flow through R_i if the switch current flows into terminal 3 on the HC/HCT4351; terminals 3 and 13 on the HC/HCT4352; terminals 4, 14 and 15 on the HC/HCT4353.

RECOMMENDED OPERATING CONDITIONS:

For maximum reliability, nominal operating conditions should be selected so that operation is always within the following ranges:

CHARACTERISTIC	LIMITS		UNITS
	MIN.	MAX.	
Supply-Voltage Range (For $T_A =$ Full Package-Temperature Range) V_{CC} : *			
CD54/74HC Types	2	6	V
CD54/74HCT Types	4.5	5.5	V
Supply-Voltage Range (For $T_A =$ Full Package-Temperature Range) $V_{CC}-V_{EE}$			
CD54/74HC Types CD54/74HCT Types See Fig. 7	2	10	V
Supply-Voltage Range (For $T_A =$ Full Package-Temperature Range) V_{EE} : *			
CD54/74HC Types CD54/74HCT Types See Fig. 8	0	-6	V
DC Input Control Voltage, V_i	Gnd	V_{CC}	V
Analog Switch I/O Voltage, V_{IS}	V_{EE}	V_{CC}	V
Operating Temperature T_A :			
CD74 Types	-40	+125	$^\circ\text{C}$
CD54 Types	-55	+125	$^\circ\text{C}$
Input Rise and Fall Times, t_r , t_f			
at 2 V	0	1000	ns
at 4.5 V	0	500	ns
at 6 V	0	400	ns

* Unless otherwise specified, all voltages are referenced to Ground.

HARRIS SEMICONDUCTOR SECTOR 27E D 4302271 0018360 4 HAS

CD54/74HC4351, CD54/74HCT4351
CD54/74HC4352, CD54/74HCT4352
CD54/74HC4353, CD54/74HCT4353

RECOMMENDED OPERATING AREA AS A FUNCTION OF SUPPLY VOLTAGES

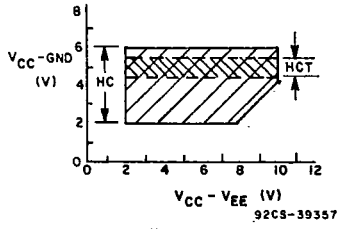


Fig. 7

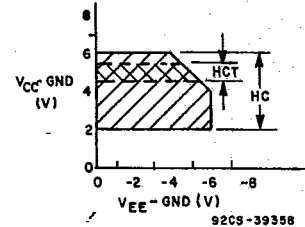


Fig. 8

STATIC ELECTRICAL CHARACTERISTICS

CHARACTERISTIC	CD74HC/CD54HC4351, 4352, 4353										CD74HCT/CD54HCT4351, 4352, 4353										UNITS				
	TEST CONDITIONS		74HC/54HC TYPES			74HC TYPES		54HC TYPES			TEST CONDITIONS		74HCT/54HCT TYPES			74HCT TYPES		54HCT TYPES							
	V _{is}	V _i	V _{ee}	V _{cc}	+25°C		-40/+85°C		-55/+125°C		V _{is}	V _i	V _{ee}	V _{cc}	+25°C		-40/+85°C		-55/+125°C						
	V	V	V	V	Min	Typ	Max	Min	Max	Min	Max	V	V	V	V	Min	Typ	Max	Min	Max		Min	Max		
High-Level Input Voltage V _{ih}					2	1.5	—	—	1.5	—	1.5	—			4.5	to	2	—	—	2	—	2	—	V	
					4.5	3.15	—	—	3.15	—	3.15	—			5.5										
					6	4.2	—	—	4.2	—	4.2	—													
Low-Level Input Voltage V _{il}					2	—	—	0.5	—	0.5	—	0.5			4.5	to	—	—	0.8	—	0.8	—	0.8	V	
					4.5	—	—	1.35	—	1.35	—	1.35			5.5										
					6	—	—	1.8	—	1.8	—	1.8													
"On" Resistance I _o = 1 mA R _{on} (Fig. 20)	V _{cc} or V _{ee}	V _o or V _{ih}	0	4.5	—	70	160	—	200	—	240	Same as HC	Same as HC	0	4.5	—	70	160	—	200	—	240	Ω		
			0	6	—	60	140	—	175	—	210			—	—	—	—	—	—	—	—	—			
	-4.5	4.5	—	40	120	—	150	—	180	-4.5	4.5			—	40	120	—	150	—	180					
	0	4.5	—	90	180	—	225	—	270	0	4.5			—	90	180	—	225	—	270					
	0	6	—	80	160	—	200	—	240	—	—			—	—	—	—	—	—	—	—				
	-4.5	4.5	—	45	130	—	162	—	195	-4.5	4.5			—	45	130	—	162	—	195					
Maximum "On" Resistance between any two channels ΔR _{on}			0	4.5	—	10	—	—	—	—	—	0	4.5	—	10	—	—	—	—	—	—	—	Ω		
			0	6	—	8.5	—	—	—	—	—	—	—	—	—	—	—	—	—	—	—	—	—		
Switch On/Off Leakage Current I _z 1&2 Channels (4353) 4 Channels (4352) 8 Channels (4351)	For Switch OFF: When V _{is} =V _{cc} V _{os} =V _{ee} ; When V _{is} =V _{ee} V _{os} =V _{cc} For Switch ON: All Applicable Combinations of V _{is} & V _{os} Voltage Levels	V _o or V _{ih}	0	6	—	—	±0.1	—	±1	—	±1	0	6	—	—	±0.1	—	±1	—	±1	0	6	—	—	±1
			-5	5	—	—	±0.1	—	±1	—	±1	-5	5	—	—	±0.1	—	±1	—	±1	-5	5	—	—	±1
		V _{cc} or Gnd	0	6	—	—	±0.1	—	±1	—	±1	0	6	—	—	±0.1	—	±1	—	±1	0	6	—	—	±1
			-5	5	—	—	±0.2	—	±2	—	±2	-5	5	—	—	±0.2	—	±2	—	±2	-5	5	—	—	±2
			0	6	—	—	±0.2	—	±2	—	±2	0	6	—	—	±0.2	—	±2	—	±2	0	6	—	—	±2
			-5	5	—	—	±0.4	—	±4	—	±4	-5	5	—	—	±0.4	—	±4	—	±4	-5	5	—	—	±4
Control Input Leakage Current I _l	V _{cc} or Gnd	0	6	—	—	±0.1	—	±1	—	±1	—	—	5.5	—	—	±0.1	—	±1	—	±1	—	—	±1	μA	
Quiescent Device Current I _{cc} I _o = 0	When V _{is} = V _{ee} , V _{os} = V _{cc} ; When V _{is} = V _{cc} , V _{os} = V _{ee}	V _{cc} or Gnd	0	6	—	—	8	—	80	—	160	Same as HC	Same as HC	0	5.5	—	—	8	—	80	—	160	—	160	μA
			-5	5	—	—	16	—	160	—	320			-4.5	5.5	—	—	16	—	160	—	320			
Additional Quiescent Device Current per Input pin: 1 unit load ΔI _{cc} *												V _{cc} -2.1	4.5 to 5.5	—	100	360	—	450	—	490	—	—	μA		

* For dual-supply systems theoretical worst case (V_i = 2.4 V, V_{cc} = 5.5 V) specification is 1.8 mA.
 ** Any voltage between V_{cc} & Gnd.

HARRIS SEMICONDUCTOR 27E D 430227J 001836J 6 HAS

T-51-12

CD54/74HC4351, CD54/74HCT4351
 CD54/74HC4352, CD54/74HCT4352
 CD54/74HC4353, CD54/74HCT4353

HCT INPUT LOADING TABLE

TYPE	INPUT	UNIT LOADS *
All	$\overline{E1}$, E2, Sn	0.5
(4351, 4352, 4353)	\overline{LE}	1.5

* Unit Load is ΔI_{CC} limit specified in Static Characteristics Chart, e.g., 360 μA max. @ 25°C.

SWITCHING CHARACTERISTICS ($V_{CC} = 5 V$, $T_A = 25^\circ C$, Input $t_r = 6 ns$)

CHARACTERISTIC	C_L pF	LIMITS						UNITS	
		4351		4352		4353			
		HC	HCT	HC	HCT	HC	HCT		
Turn "On" Time $\overline{E1}$, E2, or Sn to Vos	t_{PZH} t_{PZL}	15	27	35	35	40	21	23	ns
Turn "Off" Time $\overline{E1}$, E2, or Sn to Vos	t_{PHZ} t_{PLZ}		21	23	21	25	19	21	
Power Dissipation Capacitance *	C_{PD}	—	50	52	74	76	38	42	pF

* C_{PD} is used to determine the dynamic power consumption, per package.

$$P_D = C_{PD} V_{CC}^2 f_i + \sum (C_L + C_s) V_{CC}^2 f_o$$

f_o = output frequency.

f_i = input frequency.

C_L = output load capacitance.

C_s = switch capacitance.

V_{CC} = supply voltage.

HARRIS SEMICONDUCTOR SECTOR 27E D 4302271 0018362 8 HAS

CD54/74HC4351, CD54/74HCT4351
 CD54/74HC4352, CD54/74HCT4352
 CD54/74HC4353, CD54/74HCT4353

SWITCHING CHARACTERISTICS (C_L = 50 pF, Input t_r, t_f = 6 ns)

CHARACTERISTIC	V _{EE}	V _{CC}	LIMITS												UNITS	
			+25°C				-40°C to +85°C				-55°C to +125°C					
			HC		HCT		74HC		74HCT		54HC		54HCT			
			MIN.	MAX.	MIN.	MAX.	MIN.	MAX.	MIN.	MAX.	MIN.	MAX.	MIN.	MAX.		
Propagation Delay	t _{PLH}	0	2	—	35	—	—	—	45	—	—	—	55	—	—	ns
Switch In to Out	t _{PHL}	0	4.5	—	7	—	7	—	9	—	9	—	11	—	11	
4351, 4352, 4353		0	6	—	6	—	—	—	8	—	—	—	9	—	—	
		-4.5	4.5	—	5	—	5	—	7	—	7	—	8	—	8	
Maximum Switch	t _{PZH}	0	2	—	300	—	—	—	375	—	—	—	450	—	—	
Turn "On" Delay	t _{PZL}	0	4.5	—	60	—	75	—	75	—	94	—	90	—	113	
4351		0	6	—	51	—	—	—	64	—	—	—	77	—	—	
$\overline{E1}$, E2, \overline{LE} to V _{OS}		-4.5	4.5	—	55	—	60	—	69	—	75	—	83	—	90	
4351		0	2	—	300	—	—	—	375	—	—	—	450	—	—	
S _n to V _{OS}		0	4.5	—	60	—	75	—	75	—	94	—	90	—	113	
		0	6	—	51	—	—	—	64	—	—	—	77	—	—	
		-4.5	4.5	—	50	—	60	—	63	—	75	—	75	—	90	
4352		0	2	—	350	—	—	—	440	—	—	—	525	—	—	
$\overline{E1}$, E2, \overline{LE} to V _{OS}		0	4.5	—	70	—	80	—	88	—	100	—	105	—	120	
		0	6	—	60	—	—	—	75	—	—	—	90	—	—	
		-4.5	4.5	—	60	—	65	—	75	—	81	—	90	—	98	
4352		0	2	—	375	—	—	—	470	—	—	—	565	—	—	
S _n to V _{OS}		0	4.5	—	75	—	80	—	94	—	100	—	113	—	120	
		0	6	—	64	—	—	—	80	—	—	—	96	—	—	
		-4.5	4.5	—	55	—	65	—	69	—	81	—	83	—	98	
4353		0	2	—	300	—	—	—	375	—	—	—	450	—	—	
$\overline{E1}$, E2, \overline{LE} to V _{OS}		0	4.5	—	60	—	75	—	75	—	94	—	90	—	113	
		0	6	—	51	—	—	—	64	—	—	—	77	—	—	
		-4.5	4.5	—	55	—	60	—	69	—	75	—	83	—	90	
4353		0	2	—	300	—	—	—	375	—	—	—	450	—	—	
S _n to V _{OS}		0	4.5	—	60	—	75	—	75	—	94	—	90	—	113	
		0	6	—	58	—	—	—	69	—	—	—	77	—	—	
		-4.5	4.5	—	50	—	60	—	63	—	75	—	75	—	90	
Maximum Switch	t _{PHZ}	0	2	—	250	—	—	—	315	—	—	—	375	—	—	
Turn "Off" Delay	t _{PLZ}	0	4.5	—	50	—	55	—	63	—	69	—	75	—	83	
4351		0	6	—	43	—	—	—	54	—	—	—	64	—	—	
$\overline{E1}$ to V _{OS}		-4.5	4.5	—	40	—	40	—	50	—	50	—	60	—	60	
4351		0	2	—	250	—	—	—	315	—	—	—	375	—	—	
E2 to V _{OS}		0	4.5	—	50	—	60	—	63	—	75	—	75	—	90	
		0	6	—	43	—	—	—	54	—	—	—	64	—	—	
		-4.5	4.5	—	40	—	50	—	50	—	63	—	60	—	75	
4351		0	2	—	275	—	—	—	345	—	—	—	415	—	—	
\overline{LE} to V _{OS}		0	4.5	—	55	—	60	—	69	—	75	—	83	—	90	
		0	6	—	47	—	—	—	59	—	—	—	71	—	—	
		-4.5	4.5	—	45	—	55	—	58	—	69	—	68	—	83	

HARRIS SEMICONDUCTOR 27E D 430227J 0018363 T HAS

CD54/74HC4351, CD54/74HCT4351
 CD54/74HC4352, CD54/74HCT4352
 CD54/74HC4353, CD54/74HCT4353

SWITCHING CHARACTERISTICS (C_L = 50 pF, Input t_r, t_f = 6 ns) (Continued)

CHARACTERISTIC	V _{EE}	V _{CC}	LIMITS												UNITS	
			+25°C				-40°C to +85°C				-55°C to +125°C					
			HC		HCT		74HC		74HCT		54HC		54HCT			
			MIN.	MAX.	MIN.	MAX.	MIN.	MAX.	MIN.	MAX.	MIN.	MAX.	MIN.	MAX.		
Maximum Switch	t _{PHZ}	0	2	—	275	—	—	—	345	—	—	—	415	—	—	ns
Turn "Off" Delay	t _{PLZ}	0	4.5	—	55	—	65	—	69	—	81	—	83	—	98	
4351		0	6	—	47	—	—	—	59	—	—	—	71	—	—	
S _n to V _{OS}		-4.5	4.5	—	48	—	55	—	60	—	69	—	71	—	83	
4352		0	2	—	275	—	—	—	345	—	—	—	415	—	—	
$\overline{E}1, E2, \overline{LE}$ to V _{OS}		0	4.5	—	55	—	60	—	69	—	75	—	83	—	90	
		0	6	—	47	—	—	—	59	—	—	—	71	—	—	
		-4.5	4.5	—	50	—	50	—	63	—	63	—	75	—	75	
4352		0	2	—	300	—	—	—	375	—	—	—	450	—	—	
S _n to V _{OS}		0	4.5	—	60	—	60	—	75	—	75	—	90	—	90	
		0	6	—	51	—	—	—	64	—	—	—	77	—	—	
		-4.5	4.5	—	50	—	50	—	63	—	63	—	75	—	75	
4353		0	2	—	275	—	—	—	345	—	—	—	415	—	—	
$\overline{E}1, E2, \overline{LE}$ to V _{OS}		0	4.5	—	55	—	60	—	69	—	75	—	83	—	90	
		0	6	—	47	—	—	—	59	—	—	—	71	—	—	
		-4.5	4.5	—	45	—	55	—	56	—	69	—	68	—	83	
4353		0	2	—	275	—	—	—	345	—	—	—	415	—	—	
S _n to V _{OS}		0	4.5	—	54	—	65	—	69	—	81	—	83	—	98	
		0	6	—	47	—	—	—	59	—	—	—	71	—	—	
		-4.5	4.5	—	45	—	55	—	56	—	69	—	68	—	83	
Setup Time		0	2	60	—	—	—	75	—	—	—	90	—	—	—	
4351 and 4353		0	4.5	12	—	12	—	15	—	15	—	18	—	18	—	
S _n to \overline{LE}		0	6	10	—	—	—	13	—	—	—	15	—	—	—	
		-4.5	4.5	18	—	14	—	23	—	18	—	27	—	21	—	
Hold Time		0	2	5	—	—	—	5	—	—	—	5	—	—	—	
All		0	4.5	5	—	5	—	5	—	5	—	5	—	5	—	
S _n to \overline{LE}		0	6	5	—	—	—	5	—	—	—	5	—	—	—	
		-4.5	4.5	5	—	5	—	5	—	5	—	5	—	5	—	
Pulse Width	t _w	0	2	100	—	—	—	125	—	—	—	150	—	—	—	
4351 and 4353		0	4.5	20	—	25	—	25	—	31	—	30	—	28	—	
\overline{LE}		0	6	17	—	—	—	21	—	—	—	26	—	—	—	
		-4.5	4.5	25	—	25	—	31	—	31	—	38	—	38	—	
4352		0	2	100	—	—	—	125	—	—	—	150	—	—	—	
\overline{LE}		0	4.5	20	—	20	—	25	—	25	—	30	—	30	—	
		0	6	17	—	—	—	21	—	—	—	26	—	—	—	
		-4.5	4.5	25	—	25	—	31	—	31	—	38	—	38	—	
Input (Control)	C _i	—	—	—	10	—	10	—	10	—	10	—	10	—	10	pF
Capacitance		—	—	—	—	—	—	—	—	—	—	—	—	—	—	
All		—	—	—	—	—	—	—	—	—	—	—	—	—	—	

HARRIS SEMICONDUCTOR 27E D 430227J 0018364 J HAS

HARRIS SEMICOND SECTOR 27E D 430227J 0018365 E HAS

T-51-12 — New Data

CD54/74HC4351, CD54/74HCT4351
 CD54/74HC4352, CD54/74HCT4352
 CD54/74HC4353, CD54/74HCT4353

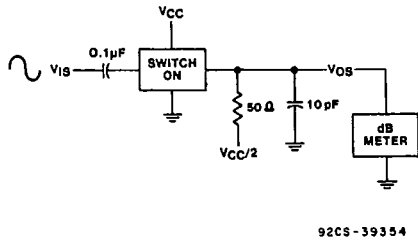
ANALOG CHANNEL CHARACTERISTICS - TYPICAL VALUES AT $T_A = 25^\circ\text{C}$

CHARACTERISTIC	TEST CONDITIONS	TYPES	LIMITS			UNITS
			V_{EE} (V)	V_{CC} (V)	HC/HCT	
Switch Input Capacitance C_i		All			5	pF
Common Capacitance C_{COM}		4351			25	
		4352			12	
Minimum Switch Frequency Response @ -3 dB Figs. 14, 16, 18	See Fig. 9 Notes 1, 2	4353			8	MHz
		4351	-2.25	2.25	145	
		4352	-2.25	2.25	165	
		4353	-2.25	2.25	200	
		4351	-4.5	4.5	180	
		4352	-4.5	4.5	185	
Crosstalk Between Any Two Switches Note 4	See Fig. 10 Notes 2, 3	4353			>200	dB
		4351	-2.25	2.25	N/A	
		4352	-2.25	2.25	(TBE)	
		4353	-2.25	2.25	(TBE)	
		4351	-4.5	4.5	N/A	
		4352	-4.5	4.5	(TBE)	
Sine-Wave Distortion	See Fig. 11	All	-2.25	2.25	0.035	%
		All	-4.5	4.5	0.018	
\bar{E} or S to Switch Feedthrough Noise	See Fig. 12 Notes 2, 3	4351	-2.25	2.25	(TBE)	mV
		4352	-2.25	2.25	(TBE)	
		4353	-2.25	2.25	(TBE)	
		4351	-4.5	4.5	(TBE)	
		4352	-4.5	4.5	(TBE)	
		4353	-4.5	4.5	(TBE)	
Switch "OFF" Signal Feedthrough Figs. 15, 17, 19	See Fig. 13 Notes 2, 3	4351			-73	dB
		4352	-2.25	2.25	-65	
		4353	-2.25	2.25	-64	
		4351	-4.5	4.5	-75	
		4352	-4.5	4.5	-67	
		4353	-4.5	4.5	-66	

Notes:

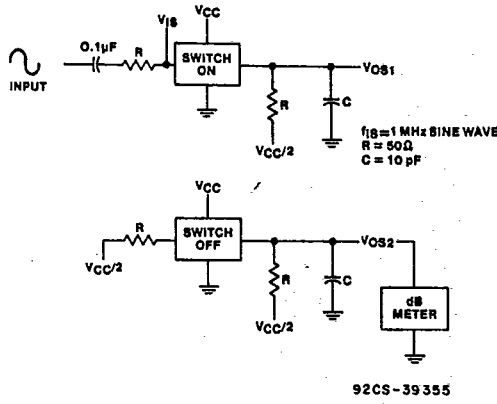
1. Adjust input voltage to obtain OdBm @ V_{OS} for $f_{in} = 1$ MHz.
2. V_{IS} is centered at $(V_{CC} - V_{EE})/2$.
3. Adjust input for OdBm.
4. Not applicable for HC/HCT4351.

CD54/74HC4351, CD54/74HCT4351
 CD54/74HC4352, CD54/74HCT4352
 CD54/74HC4353, CD54/74HCT4353
 ANALOG TEST CIRCUITS



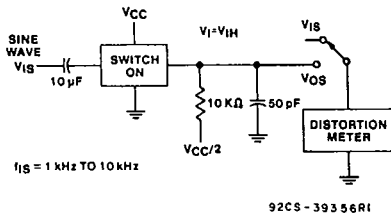
92CS-39354

Fig. 9 - Frequency response test circuit.



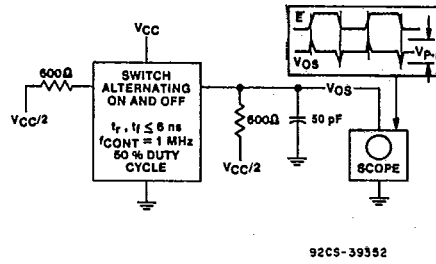
92CS-39355

Fig. 10 - Crosstalk between two switches test circuit.



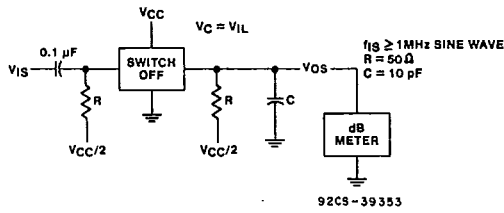
92CS-39356R1

Fig. 11 - Sine wave distortion test circuit.



92CS-39352

Fig. 12 - Control-to-switch feedthrough noise test circuit.



92CS-39353

Fig. 13 - Switch off signal feedthrough.

4302271 0018367 7 HAS
27E D
HARRIS SEMICONDUCTOR

CD54/74HC4351, CD54/74HCT4351
CD54/74HC4352, CD54/74HCT4352
CD54/74HC4353, CD54/74HCT4353

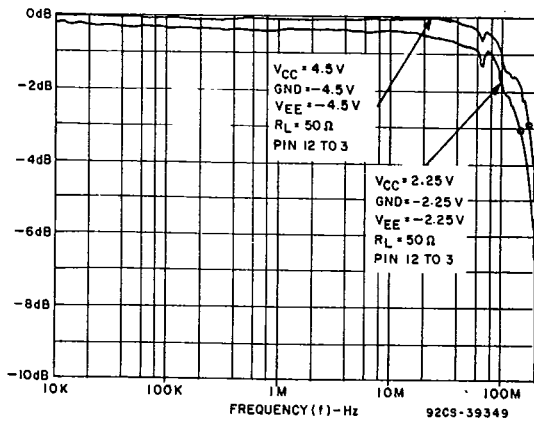


Fig. 14 - Channel on bandwidth (HC/HCT4351).

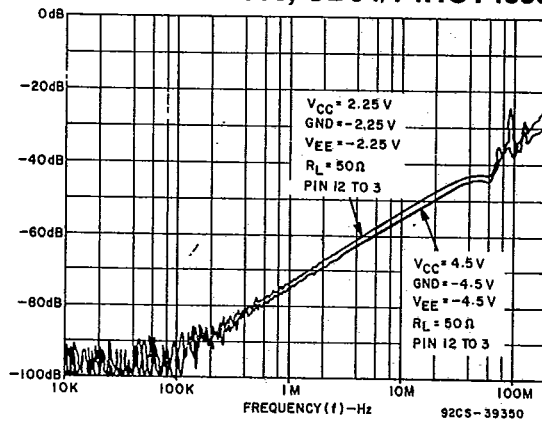


Fig. 15 - Channel off feedthrough (HC/HCT4351).

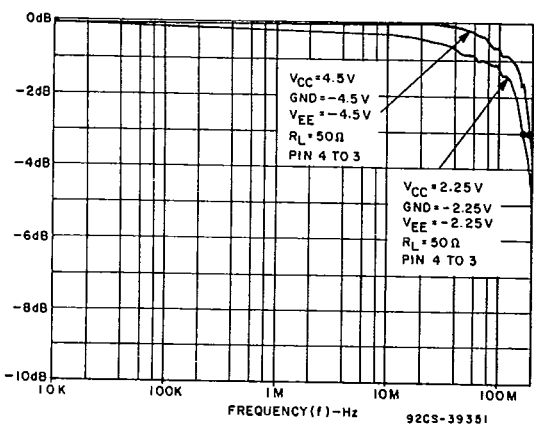


Fig. 16 - Channel on bandwidth (HC/HCT4352).

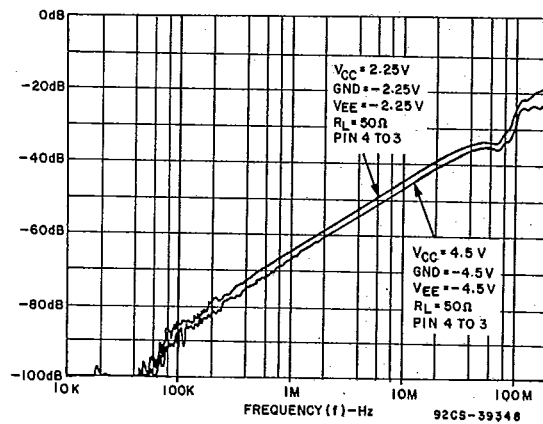


Fig. 17 - Channel off feedthrough (HC/HCT4352).

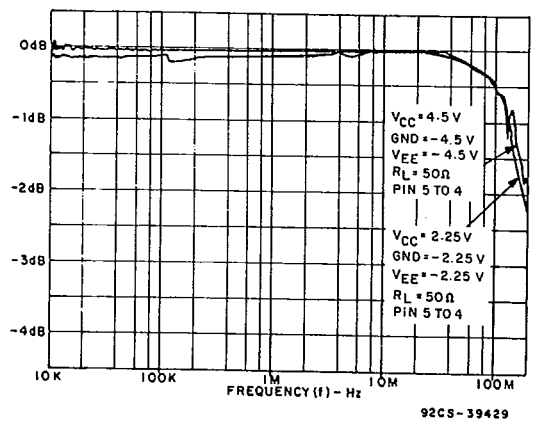


Fig. 18 - Channel on bandwidth (HC/HCT4353).

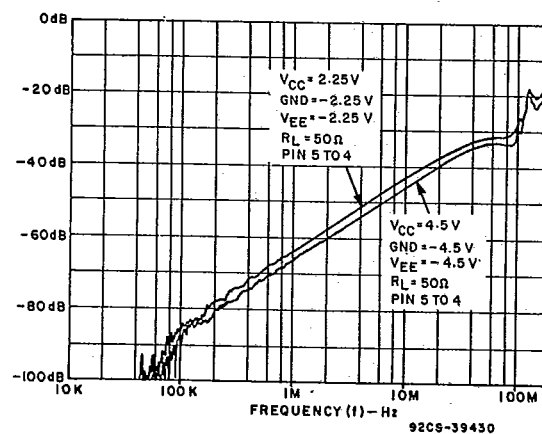


Fig. 19 - Channel off feedthrough (HC/HCT4353).

CD54/74HC4351, CD54/74HCT4351
 CD54/74HC4352, CD54/74HCT4352
 CD54/74HC4353, CD54/74HCT4353

HARRIS SEMICONDUCTOR 27E D 4302271 0018368 9 HAS

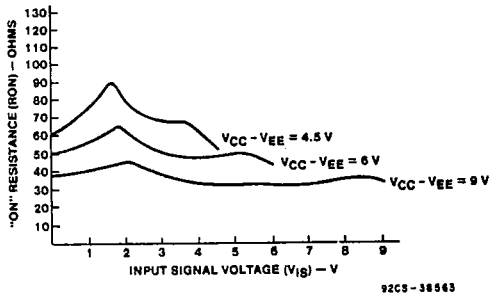
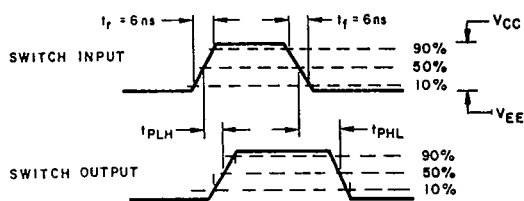
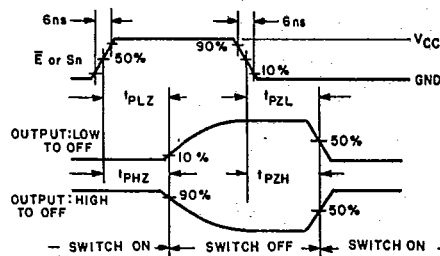


Fig. 20 - Typical ON resistance vs. Input signal voltage.

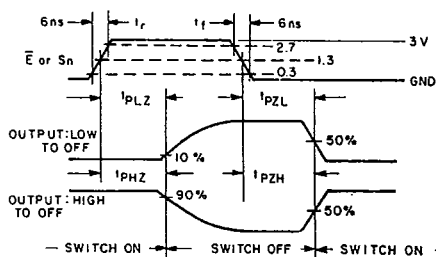


92CS-36972R4



92CS-39359

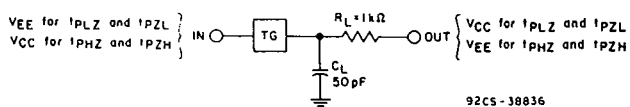
HC4351, HC4352, HC4353



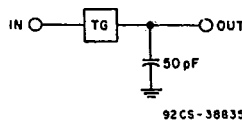
92CS-39360

Fig. 21 - Switch propagation delay, turn-on, turn-off times.

HCT4351, HCT4352, HCT4353



92CS-38836



92CS-38835

Fig. 22 - Switch on/off propagation delay test circuit.

Fig. 23 - Switch In to Switch Out propagation delay test circuit.