

National Semiconductor is now part of
Texas Instruments.

Search <http://www.ti.com/> for the latest technical
information and details on our current products and services.

LMV1089

Dual Input, Far Field Noise Suppression Microphone Amplifier with Automatic Calibration Capability

General Description

The LMV1089 is a fully analog dual differential input, differential output, microphone array amplifier designed to reduce background acoustic noise, while delivering superb speech clarity in voice communication applications.

The LMV1089 preserves near-field voice signals within 4cm of the microphones while rejecting far-field acoustic noise greater than 50cm from the microphones. Up to 20dB of far-field rejection is possible in a properly configured and calibrated system.

Part of the Powerwise™ family of energy efficient solutions, the LMV1089 consumes only 1.1mA of supply current providing superior performance over DSP solutions consuming greater than ten times the power.

A quick calibration during the manufacturing test process of the product containing the LMV1089 compensates the entire microphone system. This calibration compensates for mismatch in microphone gain and frequency response, as well as acoustical path variances. The LMV1089 stores the calibration coefficients in the on-chip EEPROM. The calibration is initiated by an I²C command or by a logic pin control.

The dual microphone inputs and the processed signal output are differential to provide excellent noise immunity. The microphones are biased with an internal low-noise bias supply.

Key Specifications

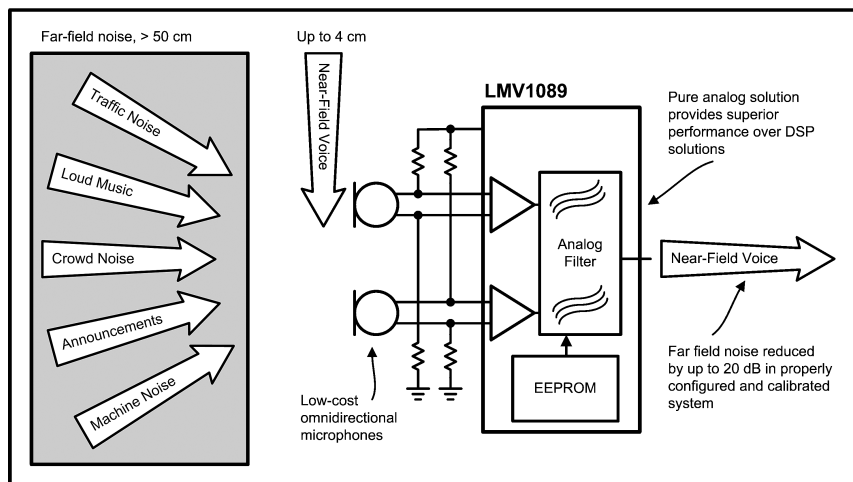
■ Far Field Noise Suppression (Electrical), (f = 1kHz)	37dB
■ Supply Voltage	2.7V to 5.5V
■ Supply Current	1.1mA (typ)
■ Standby Current	0.7µA (typ)
■ Signal-to-Noise Ratio (A-weighted)	65dB (typ)
■ Total Harmonic Distortion + Noise	0.1% (typ)
■ PSRR (217Hz)	96dB (typ)

Features

- Low power consumption
- Shutdown function
- No added processing delay
- Differential inputs and outputs
- Automatic calibration
- Adjustable 6 - 48dB gain
- Excellent RF immunity
- Space-saving 36–bump micro SMD package

Applications

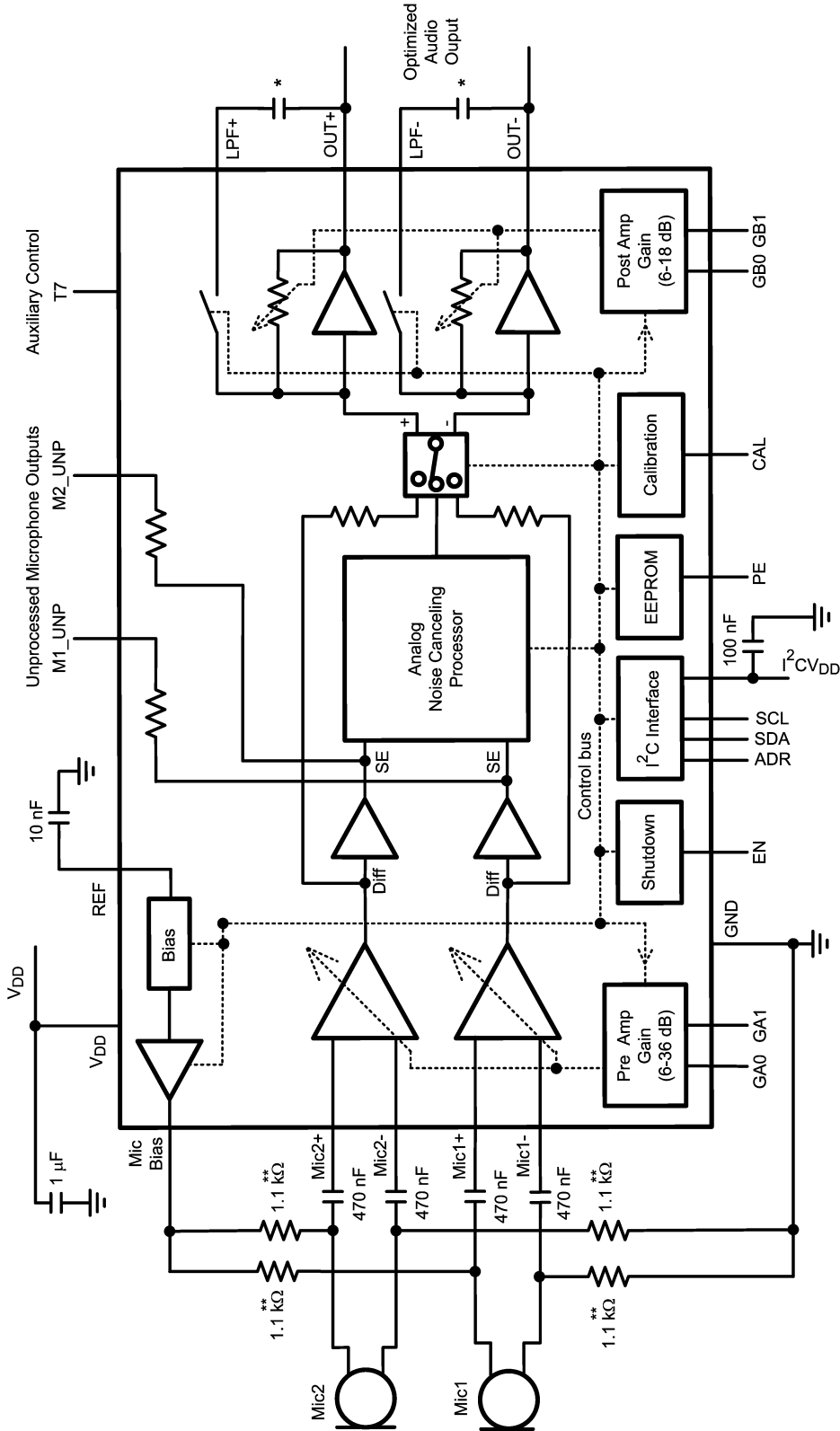
- Headset and Boom microphones
- Mobile handsets and two-way radios
- Bluetooth and other powered headsets
- Hand-held voice microphones
- Equalized stereo microphone preamplifier



30047240

FIGURE 1.

Typical Application



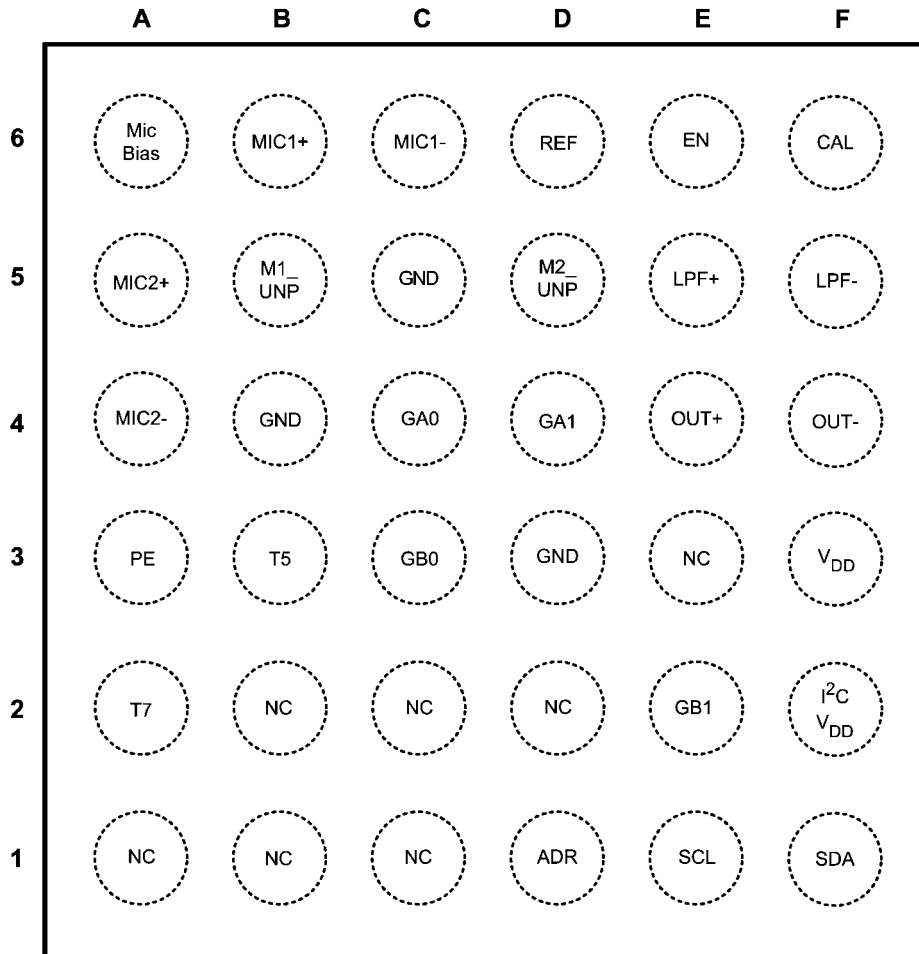
* The value of the low-pass filter capacitor is application dependent, see the application section for additional information.
 ** The value the microphone resistors is a standard value often used for electret microphones.

FIGURE 2. Typical Dual Microphone Far Field noise Cancelling Application

30047201

Connection Diagrams

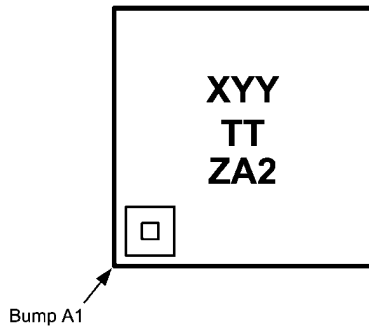
36-Bump micro SMD package



30047230

Top View
 Order Number LMV1089RL
 See NS Package Number RLA36TTA

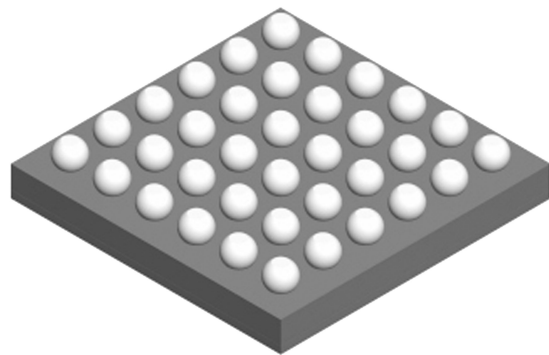
36-Bump micro SMD Marking



Top View
 X = Plant Code
 YY = Date Code
 TT = Die Tracability
 ZA2 = LMV1089RL

30047231

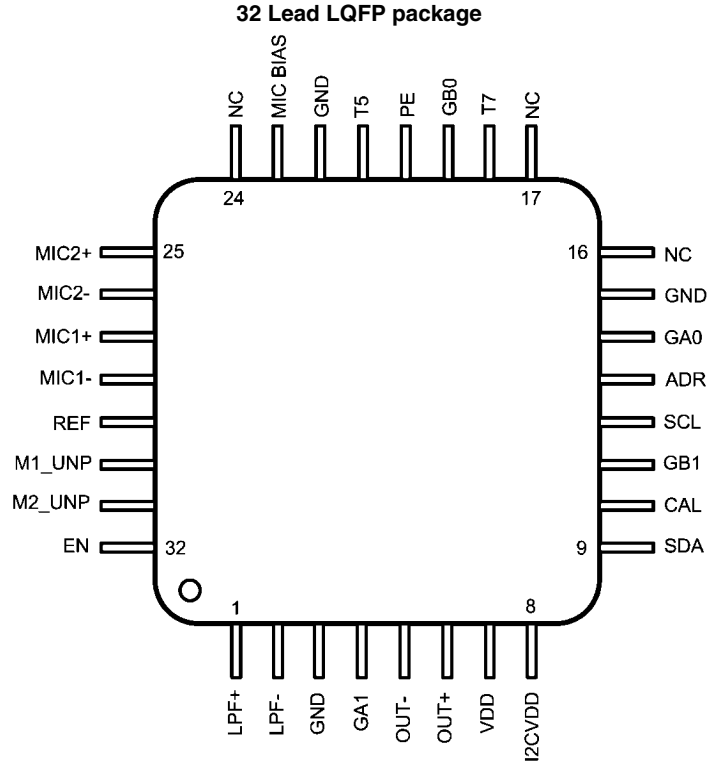
micro SMD Package View



Bottom View

30047233

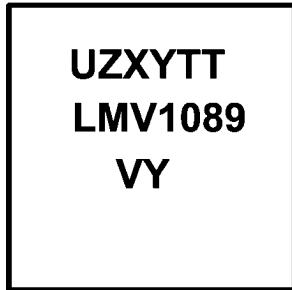
Connection Diagrams



30047227

Top View
Order Number LMV1089VY
See NS Package Number NVBE0032

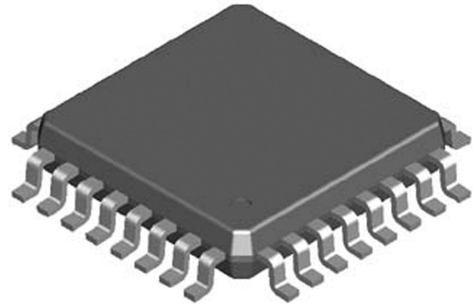
32 Lead LQFP Marking



30047237

Top View
U = Wafer Fab Code
Z = Assembly Plant Code
XY = 2 Digit Date Code
TT = Die Traceability
LMV1089 = LMV1089VY

LQFP Package View



30047228

Bottom View

Ordering Information

Order Number	Package	Package Drawing Number	Device Marking	Transport Media
LMV1089RL	36 Bump μ SMD	RLA36TTA	XYYTTZA2	250 units on tape and reel
LMV1089RLX	36 Bump μ SMD	RLA36TTA	XYYTTZA2	1000 units on tape and reel
LMV1089VY	32 Lead LQFP	NVBE0032	UZXYTT	250 units on tape and reel
LMV1089VYX	32 Lead LQFP	NVBE0032	UZXYTT	1000 units on tape and reel

Pin Descriptions

TABLE 1. Pin Name and Function

Bump Number	Pin Name	Pin Function	Pin Type
A1	NC	No connect	No Connect
A2	T7	Auxiliary Control Manual Calibration = V_{DD} Auto Calibration = GND	Digital Input
A3	PE	Program Enable EEPROM	Digital Input
A4	MIC2-	microphone 2 negative input	Analog Input
A5	MIC2+	microphone 2 positive input	Analog Input
A6	Mic Bias	Microphone Bias	Analog Output
B1	NC	No Connect	No Connect
B2	NC	No Connect	No Connect
B3	T5	Float (do not connect to GND)	Production Test
B4	GND	amplifier ground	Ground
B5	M1_UNP	microphone 1 unprocessed output	Analog Output
B6	MIC1+	microphone 1 positive input	Analog Input
C1	NC	No Connect	No Connect
C2	NC	No Connect	No Connect
C3	GB0	default Post Amp Gain 0	Digital Input
C4	GA0	default Pre Amp Gain 0	Digital Input
C5	GND	amplifier ground	Ground
C6	MIC1-	amplifier ground	Analog Input
D1	ADR	I ² C Address select	Digital Input
D2	NC	No Connect	No Connect
D3	GND	amplifier ground	Ground
D4	GA1	default Pre Amp Gain 1	Digital Input
D5	M2_UNP	microphone 2 unprocessed output	Analog Output
D6	REF	reference voltage de-coupling	Analog Reference
E1	SCL	I ² C clock	Digital Input
E2	GB1	default Post Amp Gain 1	Digital Input
E3	NC	No Connect	No Connect
E4	OUT+	positive optimized audio output	Analog Output
E5	LPF+	Low Pass Filter for positive output	Analog Input
E6	EN	chip enable	Digital Input
F1	SDA	I ² C data	Digital Input/Output
F2	I ² CV _{DD}	I ² C power supply	Supply
F3	V _{DD}	power supply	Supply
F4	OUT-	negative optimized audio output	Analog Output
F5	LPF-	Low Pass Filter for negative output	Analog Input
F6	CAL	calibration enable	Digital Input

Absolute Maximum Ratings (Note 1)

If Military/Aerospace specified devices are required, please contact the National Semiconductor Sales Office/Distributors for availability and specifications.

Supply Voltage	6.0V
Storage Temperature	-85°C to +150°C
Power Dissipation (Note 3)	Internally Limited
ESD Rating (Note 4)	2000V
ESD Rating (Note 5)	200V
Junction Temperature (T_{JMAX})	150°C
Mounting Temperature	235°C
Infrared or Convection (20 sec.)	

Thermal Resistance

$$\theta_{JA} \text{ (microSMD)} \quad 70^\circ\text{C/W}$$

Soldering Information See AN-112 "microSMD Wafers Level Chip Scale Package."

Operating Ratings (Note 2)

Supply Voltage	$2.7V \leq V_{DD} \leq 5.5V$
I^2CV_{DD}	$1.7V \leq I^2CV_{DD} \leq 5.5V$
Supply Voltage (Note 8)	
Temperature Range	-40°C to 85°C
$T_{MIN} \leq T_A \leq T_{MAX}$	$-40^\circ\text{C} \leq T_A \leq +85^\circ\text{C}$

Electrical Characteristics 3.3V (Note 1)

Unless otherwise specified, all limits guaranteed for $T_J = 25^\circ\text{C}$, $V_{DD} = 3.3V$, $V_{IN} = 18mV_{P-P}$, $f = 1kHz$, $EN = V_{DD}$, pass through mode (Note 8), Pre Amp gain = 20dB, Post Amp gain = 6dB, $R_L = 100k\Omega$, and $C_L = 4.7pF$, $C_{REF} = 10nF$

Symbol	Parameter	Conditions	LMV1089		Units (Limits)
			Typical (Note 6)	Limits (Note 7)	
SNR	Signal-to-Noise Ratio	$f = 1kHz$, $V_{IN} = 18mV_{P-P}$	63		dB
		$f = 1kHz$, $V_{IN} = 18mV_{P-P}$, A-Weighted voice band (300 – 3400Hz)	65		dB
e_N	Input Referred Noise level	A-weighted	5		μV_{RMS}
V_{IN}	Maximum Input Signal	THD+N < 1%, Pre Amp Gain = 6dB	910	850	mV_{P-P} (min)
V_{OUT}	Maximum AC Output Voltage	$f = 1kHz$, Differential Out+, Out- THD+N < 1%	1.2	1.1	V_{RMS} (min)
	DC Level at Outputs	Out+, Out-	800		mV
THD+N	Total Harmonic Distortion + Noise	Differential Out+ and Out-	0.1	0.2	% (max)
Z_{IN}	Input Impedance		142		k Ω
Z_{OUT}	Output Impedance		300		Ω
Z_{LOAD}	Load Impedance (Out+, Out-)	R_{LOAD}		10	k Ω (min)
		C_{LOAD}		100	pF (max)
A_M	Microphone Preamplifier Gain Range		6 – 36		dB
A_{MR}	Microphone Preamplifier Gain Adjustment Resolution	$f = 1kHz$	2	1.7	dB (min)
				2.3	dB (max)
A_P	Post Amplifier Gain Range	Pass Through Mode and Summing Mode	6 – 18		dB
A_{PR}	Post Amplifier Gain Resolution		3	2.6	dB (min)
				3.4	dB (max)
A_{CR}	Gain Compensation Range		± 3		dB
A_{MD}	Maximum Gain Matching Difference After Calibration	$f = 300Hz$	0.5		dB
		$f = 1kHz$	0.25		dB
		$f = 3kHz$	0.5		dB
X_{Talk}	Crosstalk Attenuation between Mic1 and Mic2	Measured at M1_UNP and M2_UNP	52	41	dB (min)
T_{CAL}	Calibration Duration			790	ms (max)
FFNS _E	Far Field Noise Suppression Electrical	$f = 1kHz$ (See Test Method)	32	20	dBV(min)
		$f = 300Hz$ (See Test Method)	37	22	dBV (min)
SNRI _E	Signal-to-Noise Ratio Improvement Electrical	$f = 1kHz$ (See Test Method)	24	14	dBV (min)
		$f = 300Hz$ (See Test Method)	28	15	dBV (min)
PSRR	Power Supply Rejection Ratio	Input Referred, Input AC grounded			
		$f_{RIPPLE} = 217Hz$ ($V_{RIPPLE} = 100mV_{P-P}$)	96	85	dB (min)
CMRR	Common Mode Rejection Ratio	$f = 1kHz$	60		dB
		$f_{RIPPLE} = 1kHz$ ($V_{RIPPLE} = 100mV_{P-P}$)	91	80	dB (min)

V_{BM}	Microphone Bias Supply Voltage	$I_{BIAS} = 1\text{mA}$	2.0	1.85 2.15	V (min) V (max)
e_{VBM}	Microphone Bias Noise Level	A-Weighted, 10nF cap at V_{REF} pin	10		μV_{RMS}
I_{BM}	Total available Microphone Bias Current			1.2	mA (min)
I_{DDQ}	Supply Quiescent Current	$V_{IN} = 0\text{V}$	1.1	1.5	mA (max)
I_{DD}	Supply Current	$V_{IN} = 25\text{mV}_{P-P}$ both inputs, Noise cancelling mode	1.1		mA
I_{SD}	Shut Down Current	EN pin = GND	0.7	1	μA (max)
I_{DDCP}	Supply Current during Calibration and Programming	Calibrating or Programming EEPROM	30	45	mA (max)
$I_{DD}^{I^2C}$	I ² C supply current	I ² C Idle Mode	25	100	nA (max)
T_{ON}	Turn On Time			40	ms (max)
T_{OFF}	Turn Off Time			60	ms (max)

Electrical Characteristics 5.0V (Note 1)

Unless otherwise specified, all limits guaranteed for $T_J = 25^\circ\text{C}$, $V_{DD} = 5\text{V}$, $V_{IN} = 18\text{mV}_{P-P}$, $EN = V_{DD}$, pass through mode (Note 8), Pre Amp gain = 20dB, Post Amp gain = 6dB, $R_L = 100\text{k}\Omega$, and $C_L = 4.7\text{pF}$.

Symbol	Parameter	Conditions	LMV1089		Units (Limits)
			Typical	Limit	
			(Note 6)	(Note 7)	
SNR	Signal-to-Noise Ratio	$f = 1\text{kHz}$, $V_{IN} = 18\text{mV}_{P-P}$	63		dB
		$f = 1\text{kHz}$, $V_{IN} = 18\text{mV}_{P-P}$, A-Weighted voice band (300 – 3400Hz)	65		dB
e_N	Input Referred Noise level	A-weighted	5		μV_{RMS}
V_{IN}	Maximum Input Signal	$f = 1\text{kHz}$, THD+N < 1%	918	850	mV_{P-P} (min)
V_{OUT}	Maximum AC Output Voltage	$f = 1\text{kHz}$, THD+N < 1% between differential output	1.2	1.1	V_{RMS} (min)
	DC Output Voltage		800		mV
THD+N	Total Harmonic Distortion + Noise	$f = 1\text{kHz}$ $V_{IN} = 18\text{mV}_{P-P}$	0.1	0.2	% (max)
Z_{IN}	Input Impedance		142		$\text{k}\Omega$
Z_{OUT}	Output Impedance		300		Ω
A_M	Microphone Preamplifier Gain Range	$f = 1\text{kHz}$	6 – 36		dB
A_{MR}	Microphone Preamplifier Gain Adjustment Resolution	$f = 1\text{kHz}$	2	1.7 2.3	dB (min) dB (max)
A_P	Post Amplifier Gain Range	$f = 1\text{kHz}$ Pass Through Mode and Summing Mode	6 – 18		dB
A_{PR}	Post Amplifier Gain Adjustment Resolution	$f = 1\text{kHz}$	3	2.6 3.4	dB (min) dB (max)
A_{CR}	Gain Compensation Range	$f = 1\text{kHz}$	± 3		dB
A_{MD}	Maximum Gain Matching Difference After Calibration	$f = 300\text{Hz}$	0.5		dB
		$f = 2\text{kHz}$	0.25		dB
		$f = 3\text{kHz}$	0.5		dB
T_{CAL}	Calibration Duration			790	ms (max)
FFNS _E	Far Field Noise Suppression Electrical	$f = 1\text{kHz}$ (See Test Method)	32	20	dBV
		$f = 300\text{Hz}$ (See Test Method)	37	22	dBV
SNRI _E	Signal-to-Noise Ratio Improvement Electrical	$f = 1\text{kHz}$ (See Test Method)	24	14	dBV
		$f = 300\text{Hz}$ (See Test Method)	28	15	dBV
PSRR	Power Supply Rejection Ratio	Input Referred, Input AC grounded			
		$f_{RIPPLE} = 217\text{Hz}$ ($V_{RIPPLE} = 100\text{mV}_{P-P}$)	96	85	dB (min)
		$f_{RIPPLE} = 1\text{kHz}$ ($V_{RIPPLE} = 100\text{mV}_{P-P}$)	91	80	dB (min)
CMRR	Common Mode Rejection Ratio	$f = 1\text{kHz}$	62		dB
V_{BM}	Microphone Bias Supply Voltage	$I_{BIAS} = 1\text{mA}$	2.0		V
e_{VBM}	Microphone Bias Noise Level	A-Weighted	10		μV_{RMS}
I_{BM}	Total Available Microphone Bias Current			1.2	mA (min)
I_{DDQ}	Supply Quiescent Current	$V_{IN} = 0\text{V}$	1.1	1.5	mA (max)
I_{DDCP}	Supply Current during Calibration and Programming	Calibrating or Programming EEPROM	30		mA (max)
I_{DD}	Supply Current	$V_{IN} = 25\text{mV}_{P-P}$ both inputs, Noise cancelling mode	1.1		mA (max)
I_{SD}	Shut Down Current	EN pin = GND	1.6		μA
T_{ON}	Turn On Time			40	ms (max)
T_{OFF}	Turn Off Time			60	ms (max)

Digital Interface Characteristics (Note 1, Note 8)

Unless otherwise specified, all limits guaranteed for $T_J = 25^\circ\text{C}$, $I^2\text{CV}_{DD}$ within the Operating Rating (Note 8)

Symbol	Parameter	Conditions	LMV1089		Units (Limits)
			Typical <small>(Note 6)</small>	Limit <small>(Note 7)</small>	
V_{IH}	Logic High Input Level	EN, TM, SCL, SDA, ADR, CAL, PE		$0.75 \times I^2\text{CV}_{DD}$	V (min)
		GA0, GA1, GB0, GB1		$0.6 \times V_{DD}$	
V_{IL}	Logic Low Input Level	EN, TM, SCL, SDA, ADR, CAL, PE		$0.25 \times I^2\text{CV}_{DD}$	V (max)
		GA0, GA1, GB0		$0.4 \times V_{DD}$	
t_{sCAL}	CAL Setup Time		2		ms
t_{hCAL}	CAL Hold time until calibration is finished			790	ms (min)
t_{sPEC}	PE Setup Time		2		ms
t_{hPEC}	PE Hold until calibration is finished			790	ms (min)

Note 1: "Absolute Maximum Ratings" indicate limits beyond which damage to the device may occur, including inoperability and degradation of device reliability and/or performance. Functional operation of the device and/or non-degradation at the Absolute Maximum Ratings or other conditions beyond those indicated in the Recommended Operating Conditions is not implied. The Recommended Operating Conditions indicate conditions at which the device is functional and the device should not be operated beyond such conditions. All voltages are measured with respect to the ground pin, unless otherwise specified.

Note 2: The Electrical Characteristics tables list guaranteed specifications under the listed Recommended Operating Conditions except as otherwise modified or specified by the Electrical Characteristics Conditions and/or Notes. Typical specifications are estimations only and are not guaranteed.

Note 3: The maximum power dissipation must be de-rated at elevated temperatures and is dictated by T_{JMAX} , θ_{JC} , and the ambient temperature T_A . The maximum allowable power dissipation is $P_{DMAX} = (T_{JMAX} - T_A) / \theta_{JA}$ or the number given in the Absolute Maximum Ratings, whichever is lower. For the LMV1089, $T_{JMAX} = 150^\circ\text{C}$ and the typical θ_{JA} for this microSMD package is 70°C/W and for the LLP package θ_{JA} is 64°C/W . Refer to the Thermal Considerations section for more information.

Note 4: Human body model, applicable std. JESD22-A114C.

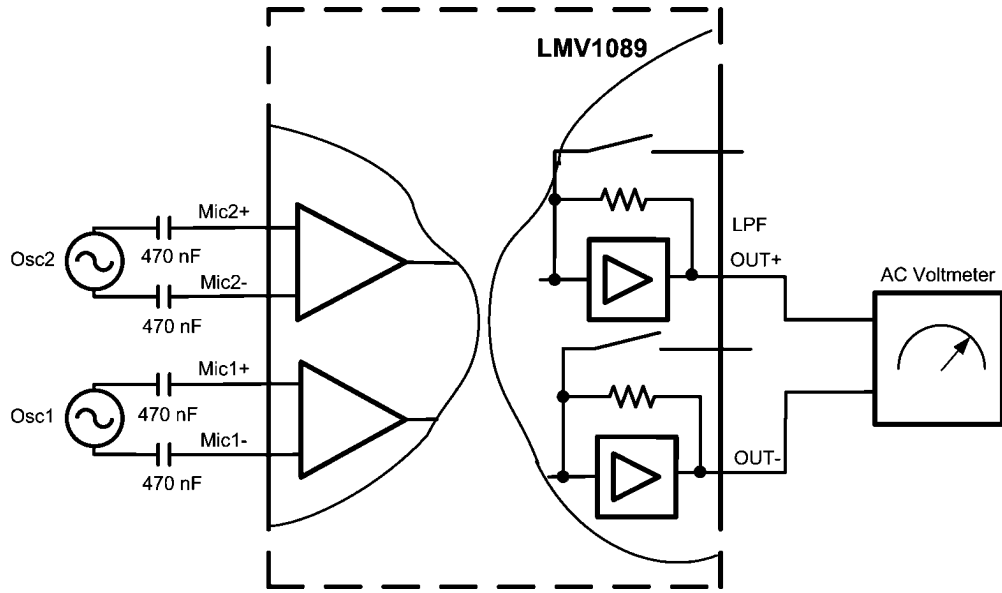
Note 5: Machine model, applicable std. JESD22-A115-A.

Note 6: Typical values represent most likely parametric norms at $T_A = +25^\circ\text{C}$, and at the Recommended Operation Conditions at the time of product characterization and are not guaranteed.

Note 7: Datasheet min/max specification limits are guaranteed by test, or statistical analysis.

Note 8: The voltage at $I^2\text{CV}_{DD}$ must not exceed the voltage on V_{DD} .

Test Methods



30047212

FIGURE 3. FFNS_E, NFSL_E, SNRI_E Test Circuit

FAR FIELD NOISE SUPPRESSION (FFNS_E)

For optimum noise suppression the far field noise should be in a broadside array configuration from the two microphones (see Figure 15). Which means the far field sound source is equidistance from the two microphones. This configuration allows the amplitude of the far field signal to be equal at the two microphone inputs, however a slight phase difference may still exist. To simulate a real world application a slight phase delay was added to the FFNS_E test. The block diagram from Figure 3 is used with the following procedure to measure the FFNS_E.

1. A sine wave with equal frequency and amplitude (25mV_{P-P}) is applied to Mic1 and Mic2. Using a signal generator, the phase of Mic 2 is delayed by 1.1° when compared with Mic1.
2. Measure the output level in dBV (X)
3. Mute the signal from Mic2
4. Measure the output level in dBV (Y)
5. FFNS_E = Y - X dB

NEAR FIELD SPEECH LOSS (NFSL_E)

For optimum near field speech preservation, the sound source should be in an endfire array configuration from the

two microphones (see Figure 16). In this configuration the speech signal at the microphone closest to the sound source will have greater amplitude than the microphone further away. Additionally the signal at microphone further away will experience a phase lag when compared with the closer microphone. To simulate this, phase delay as well as amplitude shift was added to the NFSL_E test. The schematic from Figure 3 is used with the following procedure to measure the NFSL_E.

1. A 25mV_{P-P} and 17.25mV_{P-P} (0.69*25mV_{P-P}) sine wave is applied to Mic1 and Mic2 respectively. Once again, a signal generator is used to delay the phase of Mic2 by 15.9° when compared with Mic1.
2. Measure the output level in dBV (X)
3. Mute the signal from Mic2
4. Measure the output level in dBV (Y)
5. NFSL_E = Y - X dB

SINGLE TO NOISE RATIO IMPROVEMENT ELECTRICAL (SNRI_E)

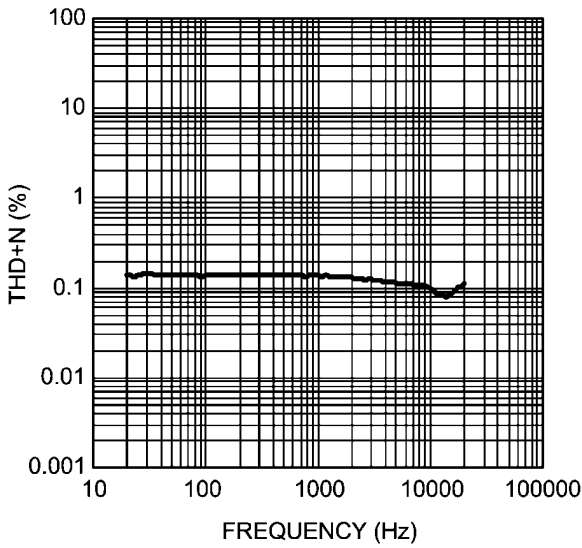
The SNRI_E is the ratio of FFNS_E to NFSL_E and is defined as:

$$\text{SNRI}_E = \text{FFNS}_E - \text{NFSL}_E$$

Typical Performance Characteristics

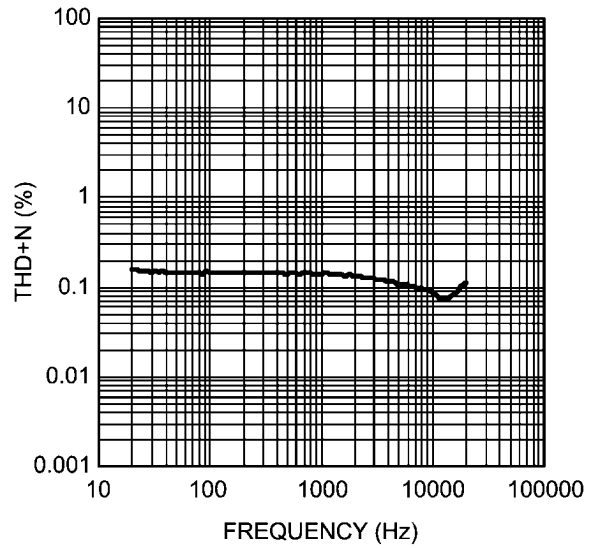
Unless otherwise specified, $T_J = 25^\circ\text{C}$, $V_{DD} = 3.3\text{V}$, Input Voltage = $18\text{mV}_{\text{p-p}}$, $f = 1\text{ kHz}$, pass through mode (Note 8), Pre Amp gain = 20dB, Post Amp gain = 6dB, $R_L = 100\text{k}\Omega$, and $C_L = 4.7\text{pF}$.

THD+N vs Frequency
Mic1 = AC GND, Mic2 = $36\text{mV}_{\text{p-p}}$
Noise Canceling Mode



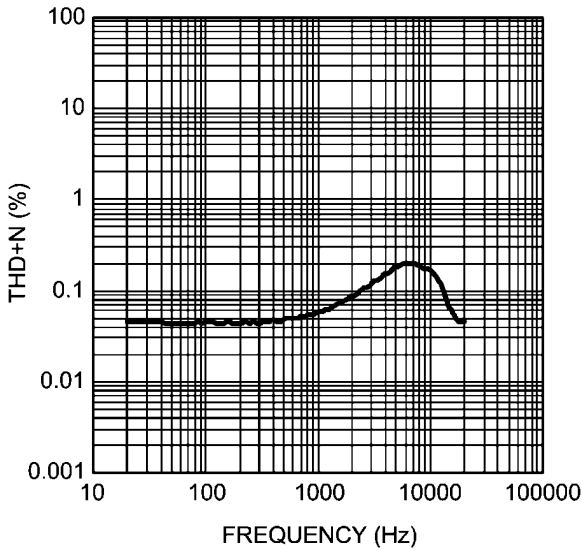
30047248

THD+N vs Frequency
Mic2 = AC GND, Mic1 = $36\text{mV}_{\text{p-p}}$
Noise Canceling Mode



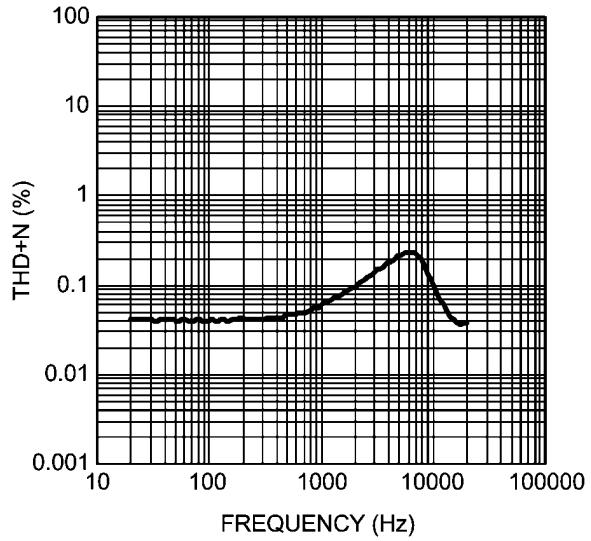
30047247

THD+N vs Frequency
Mic1 = $36\text{mV}_{\text{p-p}}$
Mic1 Pass Through Mode



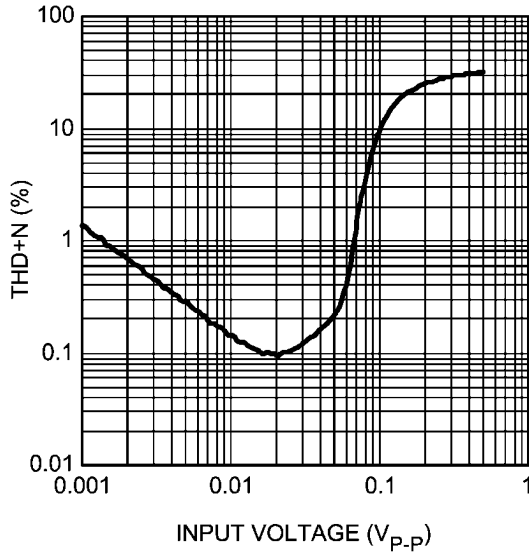
30047249

THD+N vs Frequency
Mic2 = $36\text{mV}_{\text{p-p}}$
Mic2 Pass Through Mode



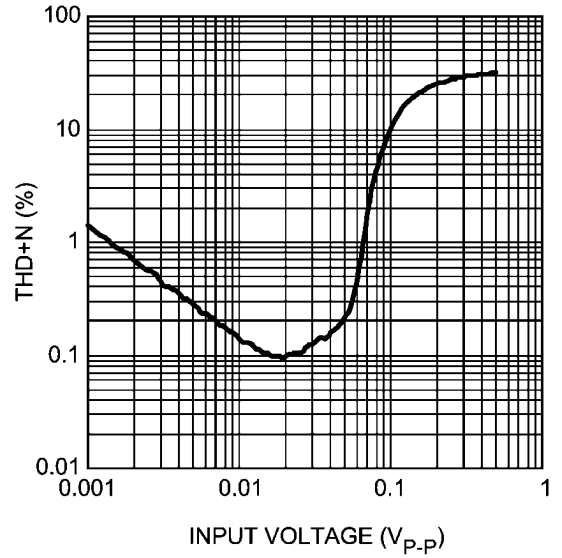
30047250

THD+N vs Input Voltage
Mic1 = AC GND, f = 1kHz
Mic2 Noise Canceling Mode



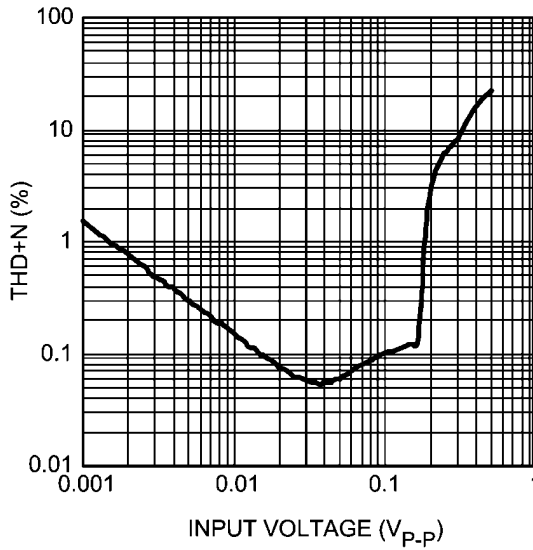
30047252

THD+N vs Input Voltage
Mic2 = AC GND, f = 1kHz
Mic1 Noise Canceling Mode



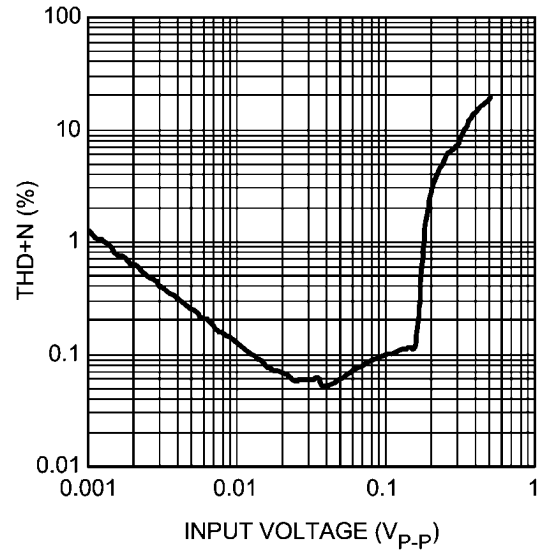
30047251

THD+N vs Input Voltage
f = 1kHz
Mic1 Pass Through Mode



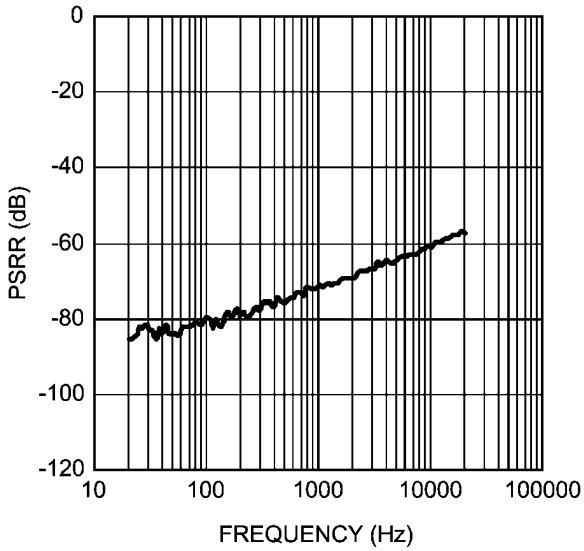
30047253

THD+N vs Input Voltage
f = 1kHz
Mic2 Pass Through Mode



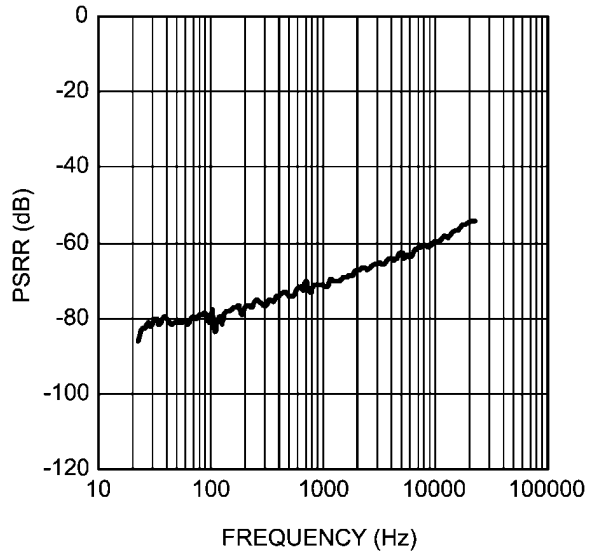
30047254

PSRR vs Frequency
 Pre Amp Gain = 20dB, Post Amp Gain = 6dB
 $V_{\text{RIPPLE}} = 100\text{mV}_{\text{p-p}}$, Mic1 = Mic2 = AC GND
 Mic1 Pass Through Mode



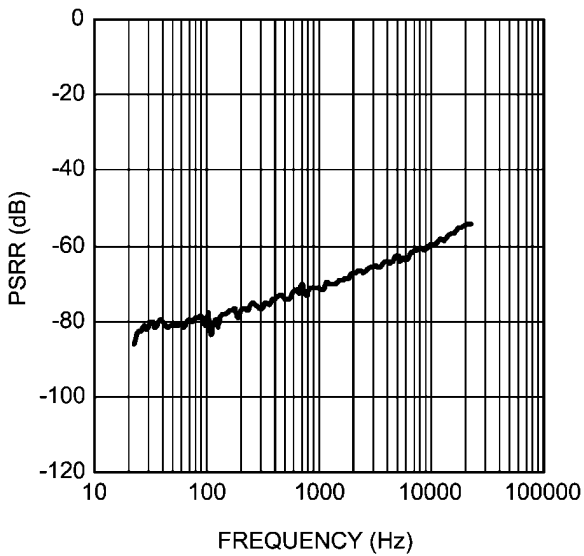
30047244

PSRR vs Frequency
 Pre Amp Gain = 20dB, Post Amp Gain = 6dB
 $V_{\text{RIPPLE}} = 100\text{mV}_{\text{p-p}}$, Mic1 = Mic2 = AC GND
 Mic2 Pass Through Mode



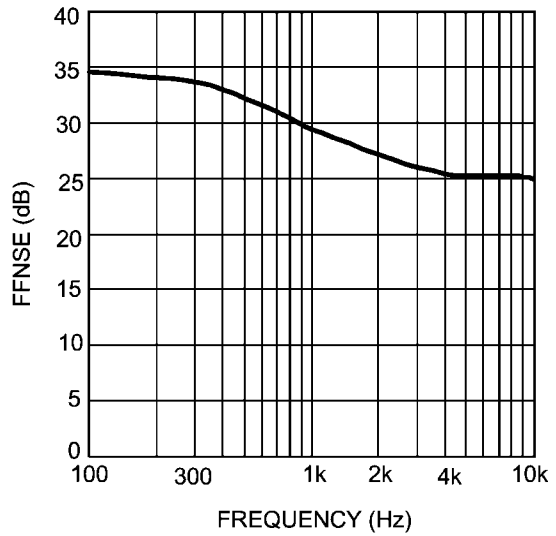
30047245

PSRR vs Frequency
 Pre Amp Gain = 20dB, Post Amp Gain = 6dB
 $V_{\text{RIPPLE}} = 100\text{mV}_{\text{p-p}}$, Mic1 = Mic2 = AC GND
 Noise Canceling Mode

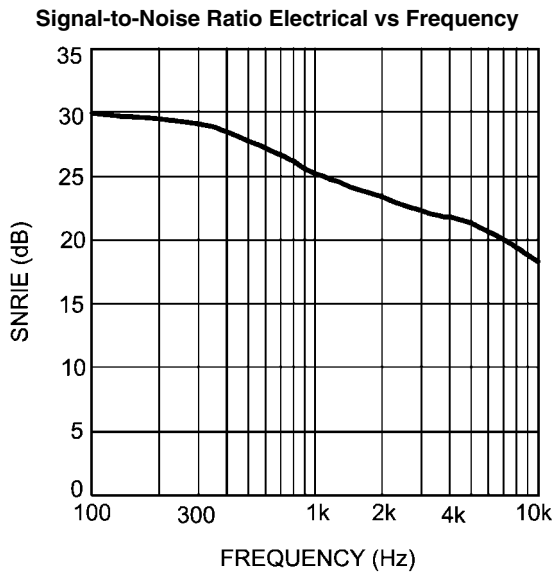


30047245

Far Field Noise Suppression Electrical vs Frequency



30047255



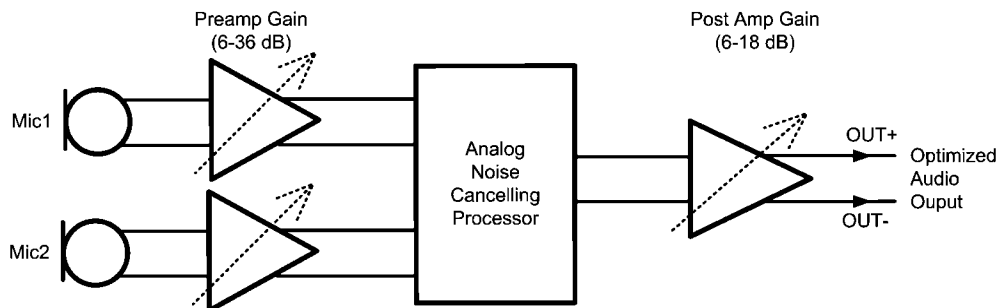
30047256

Application Data

INTRODUCTION

The LMV1089 is a fully analog single chip solution to reduce the far field noise picked up by microphones in a communi-

cation system. A simplified block diagram is provided in [Figure 4](#).



30047224

FIGURE 4. Simplified Block Diagram of the LMV1089

The output signal of the microphones is first amplified by a pre-amplifier stage with an adjustable gain of 6dB to 36dB. The signal is then processed by the noise cancelling processor. The noise cancelling processor matches the gain and frequency responses of the microphones and the acoustic characteristics of the enclosure using coefficients derived during the auto-calibration step and the stored in EEPROM. The resulting noise-suppressed signal is then amplified by the 6dB to 18dB gain-adjustable post-amplifier. For optimum noise and EMI immunity, the microphones have a differential connection to the LMV1089 and the output of the LMV1089 is also differential. The adjustable gain functions can be controlled via I²C and four control pins. Both methods are described later in the application section.

Power Supply Circuits

A low drop-out (LDO) voltage regulator in the LMV1089 allows the device to be independent of supply voltage variations.

The Power On Reset (POR) circuitry in the LMV1089 requires the supply voltage to rise from 0V to V_{DD} in less than 100ms.

The Mic Bias output is provided as a low noise supply source for the electret microphones. The noise voltage on the Mic Bias microphone supply output pin depends on the noise voltage on the internal the reference node. The de-coupling capacitor on the V_{REF} pin determines the noise voltage on this internal reference. This capacitor should be larger than 1nF; having a larger capacitor value will result in a lower noise voltage on the Mic Bias output.

Most of the logic levels for the digital control interface are relative to I²C V_{DD} voltage. This eases interfacing to the micro controller of the application containing the LMV1089. The supply voltage on the I²C V_{DD} pin must never exceed the voltage on the V_{DD} pin.

Only the four pins that determine the default power up gain (as described in [SETTING ADJUSTABLE GAIN](#)) have logic levels relative to V_{DD} .

Shutdown Function

As part of the Powerwise™ family, the LMV1089 consumes only 1.1mA of current. In many applications the part does not need to be continuously operational. To further reduce the power consumption in the inactive period, the LMV1089 pro-

vides two individual microphone power down functions. When either one of the shutdown functions is activated the part will go into shutdown mode consuming only a few μ A of supply current.

SHUTDOWN VIA HARDWARE PIN

The hardware shutdown function is operated via the EN pin. In normal operation the EN pin must be at a 'high' level (V_{DD}). Whenever a 'low' level (GND) is applied to the EN pin the part will go into shutdown mode disabling all internal circuits.

SHUTDOWN VIA I²C

The LMV1089 offers an additional shutdown function by reprogramming an I²C register (see [Table 6](#)). The LMV1089 will only consume power in a mode where it can perform its normal functions. So at least one of the microphone amplifier circuits must be enabled ('1'). Writing '0' to the both bit 4 and bit 5 of the I²C 'A' register (address 0x01h) of the LMV1089 will force the part into shutdown mode, even if the EN pin is 'High', the only part that remains active in this state is the I²C, which consumes neglectable power when compared to the standby current.

Adjustable Gain

The LMV1089 has two gain stages where the gain can be adjusted to meet the requirements for the application. There is a preamplifier and a post amplifier that can be varied independent of each other. In most applications the gain will be set via the I²C interface, see [Table 6](#).

SETTING ADJUSTABLE GAIN

The LMV1089 provides four pins to set the default gain settings during power up of the device, which is convenient for applications without a micro controller. The default gain of the preamplifier is controlled by the GA0 and GA1 pins and can be set by wiring those pins to either V_{DD} or GND. In this way, one of the four possible values in the 12dB to 36dB range (see [Table 2](#)) can be chosen. The default post amplifier gain is set in the same way by connecting the GB0 and GB1 pins to either V_{DD} or GND to select a gain between 6dB and 15dB (see [Table 3](#)). Setting the gain of the preamplifier and post amplifier

via the I²C interface (see [Table 6](#)) will override this default gain.

The default gain is only set during power up of the device. Toggling the logic level of the enable pin (EN) will not change the current gain setting of the part. Any gain setting done via the I²C interface will remain valid during activation of the function.

TABLE 2. Default preamplifier gain

GA1	GA0	Gain
0	0	12dB
0	1	20dB (<i>Note 9</i>)
1	0	28dB
1	1	36dB

TABLE 3. Default post amplifier gain

GB1	GB0	Gain
0	0	6dB (<i>Note 9</i>)
0	1	9dB
1	0	12dB
1	1	15dB

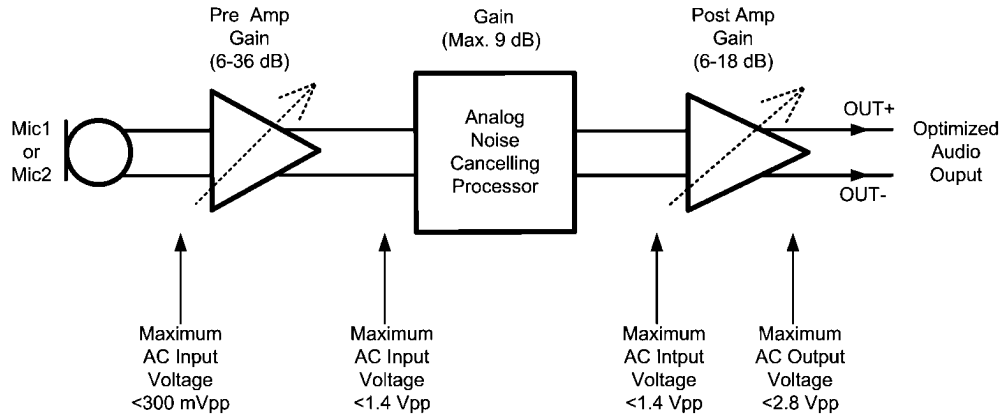
Note 9: Default value used for performance measurements

Gain Balance and Gain Budget

In systems where input signals have a high dynamic range, critical noise levels or where the dynamic range of the output voltage is also limited, careful gain balancing is essential for the best performance. Too low of a gain setting in the preamplifier can result in higher noise levels while too high of a gain

setting in the preamplifier will result in clipping and saturation in the noise cancelling processor and output stages.

The gain ranges and maximum signal levels for the different functional blocks are shown in [Figure 5](#). Two examples are given as a guideline on how to select proper gain settings.



30047241

FIGURE 5. Maximum Signal Levels

Example 1

An application using microphones with $50\text{mV}_{\text{P-P}}$ maximum output voltage, and a baseband chip after the LMV1089 with $1.5\text{V}_{\text{P-P}}$ maximum input voltage.

For optimum noise performance, the gain of the input stage should be set to the maximum.

- $50\text{mV}_{\text{P-P}} + 36\text{ dB} = 3.1\text{V}_{\text{P-P}}$.
- $3.1\text{V}_{\text{P-P}}$ is higher than the maximum $1.4\text{V}_{\text{P-P}}$ allowed for the Noise Cancelling Processor (NCP). This means a gain lower than 28.9dB should be selected.
- Select the nearest lower gain from the gain settings shown in Table 2, 28dB is selected. This will prevent the NCP from being overloaded by the microphone. With this setting, the resulting output level of the Pre Amplifier will be $1.26\text{V}_{\text{P-P}}$.
- The NCP can have a maximum processing gain of 9dB (depending on the calibration result) which will result in

$3.5\text{V}_{\text{P-P}}$ at the output of the LMV1089. This level is higher than maximum level that is allowed at the input of the post amp of the LMV1089. Therefore the preamp gain has to be reduced, to $1.4\text{V}_{\text{P-P}}$ minus $9\text{dB} = 0.5\text{V}_{\text{P-P}}$. This limits the preamp gain to a maximum of 20dB.

- The baseband chip limits the maximum output voltage to $1.5\text{V}_{\text{P-P}}$ with the minimum of 6dB post amp gain, this results in requiring a lower level at the input of the post amp of $0.75\text{V}_{\text{P-P}}$. Now calculating this for a maximum NCP gain of 9dB the output of the preamp must be $<266\text{mV}_{\text{P-P}}$.
- Calculating the new gain for the preamp will result in $<1.4\text{dB}$ gain.
- The nearest lower gain will be 14dB.

So using preamp gain = 14dB and postamp gain = 6dB is the optimum for this application.

Example 2

An application using microphones with $10\text{mV}_{\text{P-P}}$ maximum output voltage, and a baseband chip after the LMV1089 with $3.3\text{V}_{\text{P-P}}$ maximum input voltage.

For optimum noise performance we would like to have the maximum gain at the input stage.

- $10\text{mV}_{\text{P-P}} + 36\text{dB} = 631\text{mV}_{\text{P-P}}$.
- This is lower than the maximum $1.4\text{V}_{\text{P-P}}$ so this is OK.
- The NCP can have a maximum processing gain of 9dB (depending on the calibration result) which will result in $3.5\text{V}_{\text{P-P}}$ at the output of the LMV1089. This level is higher than maximum level that is allowed at the input of the Post Amp of the LMV1089. Therefore the Pre Amp gain has to be reduced, to $1.4\text{V}_{\text{P-P}}$ minus 9dB = $0.5\text{V}_{\text{P-P}}$. This limits the Pre Amp gain to a maximum of 34dB.
- With a Post Amp gain setting of 6dB the output of the Post Amp will be $2.8\text{V}_{\text{P-P}}$ which is OK for the baseband.
- The nearest lower Post Amp gain will be 6dB.

So using preamp gain = 34dB and postamp gain = 6dB is optimum for this application.

Unprocessed Output Pins

The LMV1089 provides two single ended output pins M1_UNP and M2_UNP. These pins provide the amplified output signal from the two differential microphone input amplifiers Mic1 and Mic2. When the application containing the LMV1089 is in a calibrated state the output level of the two microphone paths are matched. This makes these outputs suitable for stereo applications like video camera webcams and photo cameras. Low cost microphones with wider gain tolerance can be used because gain differences of the microphones will be compensated by the calibration system of the LMV1089. In this situation the default gain of the Pre Amplifiers is set by GA0 and GA1 as described in [Table 2](#). This gain can be changed via I²C by writing register A as described in the [I²C Compatible Interface](#) section.

I²C Compatible Interface

I²C SIGNALS

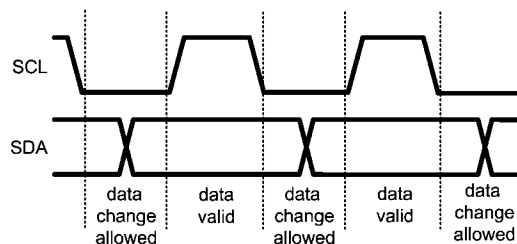
The LMV1089 pin Serial Clock (SCL) pin is used for the I²C clock and the Serial Data (SDA) pin is used for the I²C data. Both these signals need a pull-up resistor according to I²C specification. The LMV1089 can be controlled through two slave addresses. The digital I²C address pin selects the I²C address for LMV1089 as shown in [Table 4](#).

TABLE 4. Chip Address

	D7	D6	D5	D4	D3	D2	D1	D0
1st Chip Address I ² C Address='0'	1	1	0	0	1	1	0	\bar{W}/R
2nd Chip Address I ² C Address='1'	1	1	0	0	1	1	1	\bar{W}/R

I²C DATA VALIDITY

The data on SDA line must be stable during the HIGH period of the clock signal (SCL). In other words, the state of the data line can only be changed when SCL is LOW.

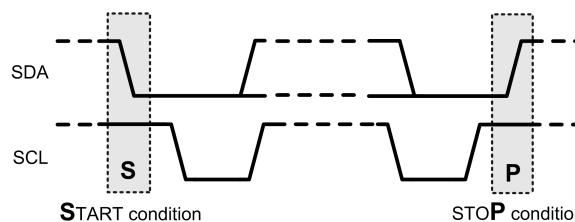


I²C Signals: Data Validity

300472q1

I²C START AND STOP CONDITIONS

START and STOP bits classify the beginning and the end of the I²C data transmission session. START condition is defined as the SDA signal transitioning from HIGH to LOW while SCL line is HIGH. STOP condition is defined as the SDA signal transitioning from LOW to HIGH while SCL is HIGH. The I²C master always generates START and STOP bits. The I²C bus is considered to be busy after START condition and free after STOP condition. During data transmission, I²C master can generate repeated START conditions. First START and repeated START conditions are equivalent, function-wise. ([Note 10](#))



I²C Start Stop Conditions

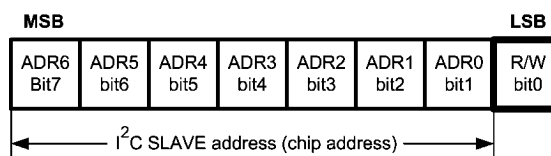
300472q2

Note 10: The master should issue STOP after no acknowledgment.

TRANSFERRING DATA

Every byte put on the SDA line must be eight bits long, with the most significant bit (MSB) being transferred first. Each byte of data has to be followed by an acknowledge bit. The acknowledge related clock pulse is generated by the master. The transmitter releases the SDA line (HIGH) during the acknowledge clock pulse. The receiver must pull down the SDA line during the 9th clock pulse, signifying an acknowledge (ACK). A receiver which has been addressed must generate an acknowledge after each byte has been received.

After the START condition, the I²C master sends a chip address. This address is seven bits long followed by an eighth bit which is a data direction bit (R/W). The LMV1089 address is 11001100_2 or 11001110_2 . For the eighth bit, a "0" indicates a WRITE and a "1" indicates a READ. The second byte selects the register to which the data will be written. The third byte contains data to write to the selected register.

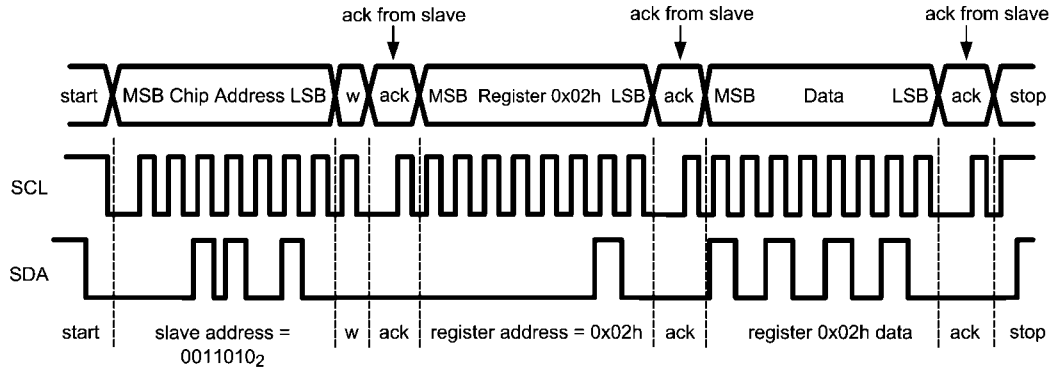


I²C Chip Address

300472q3

Register changes take effect at the SCL rising edge during the last ACK from slave.

In *Figure 6*, a write example is shown, for a device with a randomly chosen address '00110100₂'.



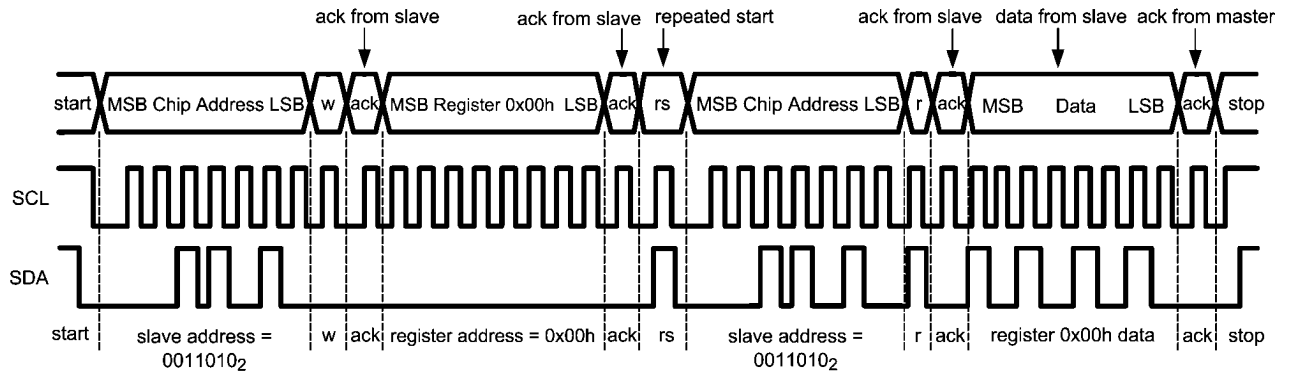
300472q5

w = write (SDA = "0")
 r = read (SDA = "1")
 ack = acknowledge (SDA pulled down by slave)
 rs = repeated start

FIGURE 6. Example I²C Write Cycle

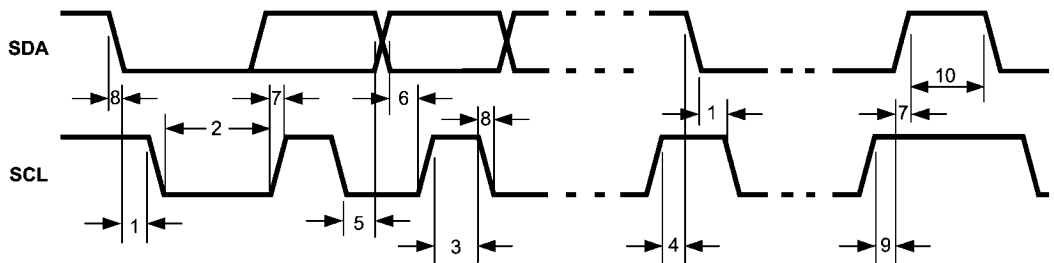
When a READ function is to be accomplished, a WRITE function must precede the READ function, as shown in the Read

Cycle waveform. *Figure 7* shows this read example for a randomly chosen address '00110101₂'.



300472q6

FIGURE 7. Example I²C Read Cycle



300472q9

FIGURE 8. I²C Timing Diagram

TABLE 5. I²C Timing Parameters

Symbol	Parameter	Limit		Units
		Min	Max	
1	Hold Time (repeated) START Condition	0.6		μs
2	Clock Low Time	1.3		μs
3	Clock High Time	600		ns
4	Setup Time for a Repeated START Condition	600		ns
5	Data Hold Time (Output direction, delay generated by LMV1089)	300	1100	ns
5	Data Hold Time (Input direction, delay generated by the Master)	0	1100	ns
6	Data Setup Time	300		ns
7	Rise Time of SDA and SCL	20	300	ns
8	Fall Time of SDA and SCL	15	300	ns
9	Set-up Time for STOP condition	600		ns
10	Bus Free Time between a STOP and a START Condition	1.3		μs
C _b	Capacitive Load for Each Bus Line	10	200	pF

NOTE: Data guaranteed by design

TABLE 6. I²C Register Description

Address	Reg.	Bits	Description	Default	
0x01h	A	[3:0]	Microphone preamplifier gain from 6dB up to 36dB in 2dB steps.	See Table 2	
			0000		6dB
			0001		8dB
			0010		10dB
			0011		12dB
			0100		14dB
			0101		16dB
			0110		18dB
			0111		20dB
			1000		22dB
			1001		24dB
			1010		26dB
			1011		28dB
			1100		30dB
			1101		32dB
			1110		34dB
1111	36dB				
A	[5:4]	A4 = mute mic1 and A5 = mute mic2. (0 = microphone on)	00(on)		
A	[7:6]	Mic enable bits, A6 = enable Mic1, A7 = enable Mic2 (1 = enable), A6 and A7 both 0 = Shutdown Mode	11(on)		
0x02h	B	[2:0]	Gain setting for the post amplifier from (3dB steps)	See Table 3	
			000		6db
			001		9dB
			010		12dB
			011		15dB
			100		18dB
			101		18dB
			110		18dB
	111	18dB			
	B	[4:3]	Mic select bits	00	
			0		0
0			1		Only Mic1 enabled
1			0		Only Mic2 enabled
		1	1	Mic1 + Mic2	
B	[7:5]	Not Used	000		
0x0Ch	L	[7:0]	reads the output of the EEPROM	read only	
0x0Dh	M	[7:0]	reads the output of the EEPROM	read only	
0x0Efh	N	[6:0]	reads the output of the EEPROM	read only	
	N	[7]	Reads the "ready" signal. This give the status of the program cycle. 1 = ready ; 0 = program cycle in progress	read only	

Address	Reg.	Bits	Description	Default
0x0Fh	O	[3:0]	Control the gain compensation between the two mics at 3kHz	0000
		0000 (0)	0.0dB	
		0001 (1)	0.5dB	
		0010 (2)	1.0dB	
		0011 (3)	1.5dB	
		0100 (4)	2.0dB	
		0101 (5)	2.5dB	
		0110 (6)	3.0dB	
		0111 (7)	3.0dB	
		1000 (8)	0dB	
		1001 (9)	-0.5dB	
		1010 (A)	-1.0dB	
		1011 (B)	-1.5dB	
		1100 (C)	-2.0dB	
		1110 (D)	-2.5dB	
		1110 (E)	-3.0dB	
		1111 (F)	-3.0dB	
		[7:4]	Control the gain compensation between the two mics at 300Hz	0000
		0000 (0)	0.0dB	
		0001 (1)	0.5dB	
		0010 (2)	0.0dB	
		0011 (3)	1.5dB	
		0100 (4)	2.0dB	
		0101 (5)	2.5dB	
		0110 (6)	3.0dB	
		0111 (7)	3.0dB	
		1000 (8)	0dB	
		1001 (9)	-0.5dB	
1010 (A)	-1.0dB			
1011 (B)	-1.5dB			
1100 (C)	-2.0dB			
1101 (D)	-2.5dB			
1110 (E)	-3.0dB			
1111 (F)	-3.0dB			

Address	Reg.	Bits	Description	Default
0x10h	P	[3:0]	Control compensation gain for left channel at ALL frequencies	1111
		0000 (0)	-3.0dB	
		0001 (1)	-3.0dB	
		0010 (2)	-2.5dB	
		0011 (3)	-2.0dB	
		0100 (4)	-1.5dB	
		0101 (5)	-1.0dB	
		0110 (6)	-0.5dB	
		0111 (7)	0.0dB	
		1000 (8)	0.0dB	
		1001 (9)	0.5dB	
		1010 (A)	1.0dB	
		1011 (B)	1.5dB	
		1100 (C)	2.0dB	
		1101 (D)	2.5dB	
		1110 (E)	3.0dB	
		1111 (F)	3.0dB	
		[7:4]	Control compensation gain for right channel at ALL frequencies	1111
		0000 (0)	-3.0dB	
		0001 (1)	-3.0dB	
		0010 (2)	-2.5dB	
		0011 (3)	-2.0dB	
		0100 (4)	-1.5dB	
		0101 (5)	-1.0dB	
		0110 (6)	-0.5dB	
		0111 (7)	0.0dB	
		1000 (8)	0.0dB	
		1001 (9)	0.5dB	
1010 (A)	1.0dB			
1011 (B)	1.5dB			
1100 (C)	2.0dB			
1101 (D)	2.5dB			
1110 (E)	3.0dB			
1111 (F)	3.0dB			
0x11h	Q	[6:0]	Values are clocked into EEPROM registers once "newdata" pulse is generated	
		[7]	StoreBar signal StoreBar = 0 enables EEPROM programming StoreBar = 1 data clock into EEPROM registers	1
0x12h	R	[0]	Start Calibration via I2C '0' to '1' = start calibration (keep '1' during calibration)	0
		[7]	Internal test	0000000

Calibration

Automatic calibration should only be required once, when the product containing the LMV1089 has completed manufacture, and prior to application packaging. The product containing the LMV1089 will be calibrated to the microphones, the microphone spacings, and the acoustical properties of the final design.

The compensation or calibration technology is achieved via memory stored coefficients when the FFNS circuitry activates the calibration sequence. The purpose of the calibration sequence is to choose the optimized coefficients for the FFNS circuitry for the given microphones, spacing, and acoustical design of the product containing the LMV1089.

A basic calibration can be performed with a single 1kHz tone, however to take full advantage of this calibration feature a three tone calibration (See [PERFORMING A THREE TONE CALIBRATION](#)) is preferred.

The automatic calibration process can be initiated from either a digital interface CALIBRATE pin (CAL) or via the I²C interface.

The logic level at the PROGRAM ENABLE (PE) pin determines if the result of the calibration is volatile or permanent.

To make the result of the calibration permanent (stored in the EEPROM) the PROGRAM ENABLE (PE) pin must be high during the automatic calibration process.

AUTOMATIC CALIBRATION VIA CAL PIN

To initiate the automatic calibration via the CAL pin, the following procedure is required. See timing diagram Figure 11:

- From the initial condition where both PE and CAL are at 'low' level
- bring PE to a 'high' level (enable EEPROM write)
- bring CAL to a 'high' level to start Calibration
- Apply Audio stimulus (single tone 1kHz or three tone sequence as described in [PERFORMING A THREE TONE CALIBRATION](#)) (see Figure 12).
- Hold CAL 'high' for at least 790ms
- Remove Audio stimulus
- bring CAL to a 'low' level to stop Calibration
- bring PE to a 'low' level (disable EEPROM write)

A tone may be applied prior to the rising of CAL and PE. Signals applied to the microphone inputs before rising of CAL and PE are ignored by the calibration system.

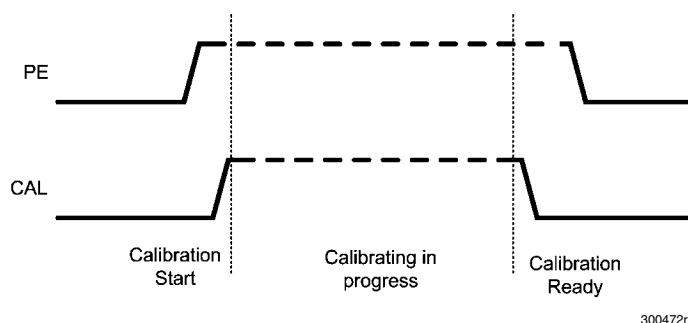


FIGURE 9. Automatic Calibration via CAL pin

Note: When the I²C is operated, make sure that register 'R' (address 0x12) bit 0 is '0' before operating the CAL pin (default value for this bit). When this bit is set '1' the calibration engine of the LMV1089 is started and will remain active with a higher supply

current than normal operation. The state of the calibration remains active until this bit is reset, '0'. With the bit set the 'low' to 'high' transfer of the CAL pin will be ignored.

AUTOMATIC CALIBRATION VIA I²C COMMAND

To initiate the automatic calibration via the I²C interface, the following procedure is required:

- From the initial condition where PE is 'low' level
- Bring PE to a 'high' level (enable EEPROM write)
- Write '1' into I²C register 'R' (address 0x12) bit 0 to start calibration
- Apply Audio stimulus (single tone 1kHz or three tone sequence as described in [PERFORMING A THREE TONE CALIBRATION](#))

- Wait at least 790ms
- Remove Audio stimulus
- Write '0' into I²C to finish calibration
- Bring PE to a 'low' level (disable EEPROM write)

A tone may be applied prior to the rising of PE or setting the I²C calibration bit. Signals applied to the microphone inputs before rising of PE or setting the I²C calibration bit are ignored by the calibration system.

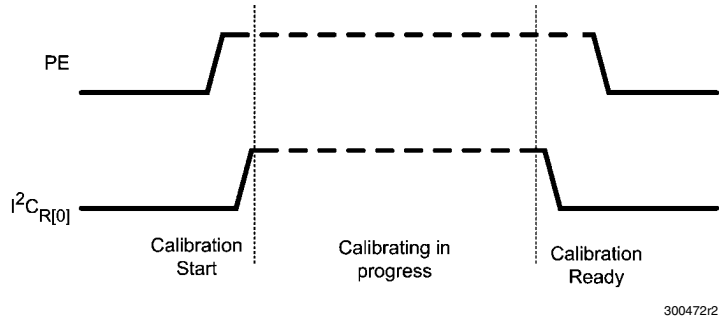


FIGURE 10.

PERFORMING THE AUTOMATIC CALIBRATION

Automatic calibration can be performed as 'one tone' or as 'three tone' calibration. Three tone calibration is preferred because the three tone calibration not only compensates for differences in the gain between the two microphones, but this function also corrects for differences in the frequency response between in the two microphones and compensates for the acoustical effects of the enclosure.

The one tone calibration only compensates for the gain difference between the two microphones at 1kHz and can lead to less far field noise reduction when compared to three tone calibration.

tone or a 1kHz tone that is switched on and off using the timing from [Figure 11](#).

To perform a one tone calibration, a 1kHz test tone is required right after the PE and CAL inputs are brought to a logic high level and that tone should be stable during the time as indicated in [Table 7](#). At the end of this sequence the calibration data is automatically stored in the internal EEPROM (see [Figure 12](#)).

A tone may be applied prior to the rising of CAL start signal and PE. Signals applied to the microphone outside the limits shown in [Figure 11](#) and [Table 7](#) are ignored by the calibration system.

PERFORMING A ONE TONE CALIBRATION

The easiest way to perform an automatic calibration with the LMV1089 uses a 1kHz tone. This tone can be a steady state

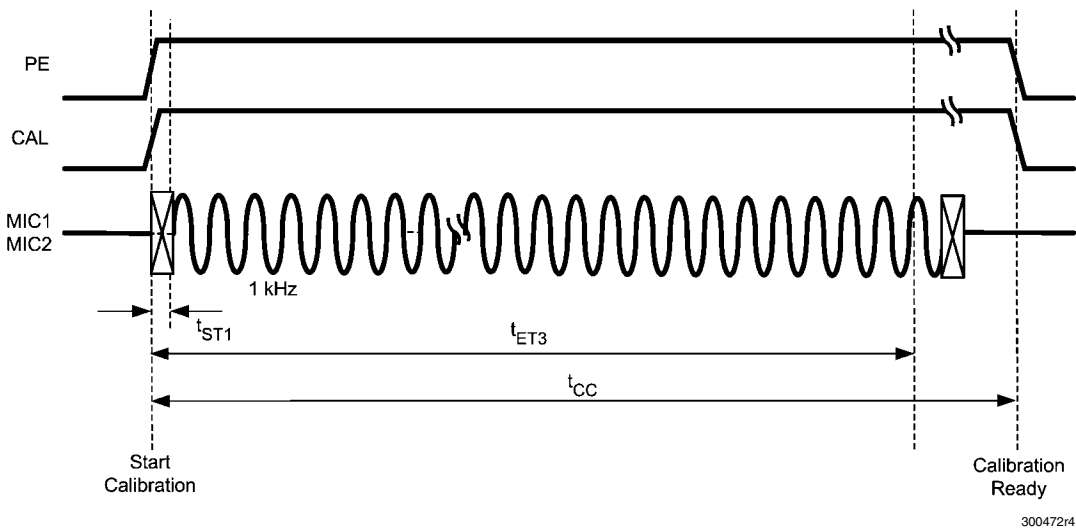


FIGURE 11. One Tone Calibration Timing

PERFORMING A THREE TONE CALIBRATION

In a system with two microphones in an enclosure there will always be a difference in the transfer function in both gain and frequency response between the two channels. The LMV1089 has the capability to perform an automatic calibration function to minimize these differences. To perform this calibration, a test sequence of three tones is required right after the PE and CAL inputs are brought to a logic high level. At the end of this sequence the calibration data is automatically stored in the internal EEPROM.

The three tones have to be applied as follows (see Figure 12):

- A first tone with a frequency of 1kHz

- A second tone with a frequency of 300Hz
- A third tone with a frequency of 3kHz

A tone may be applied prior to the rising of CAL start signal and PE. Signals applied to the microphone outside the limits shown in [Figure 12](#) and [Table 7](#) are ignored by the calibration system.

Between each tone pair there is a small time, indicated by a cross, to change the frequency. During that time the input tone is ignored by the calibration system.

The total calibration sequence requires less than 790ms.

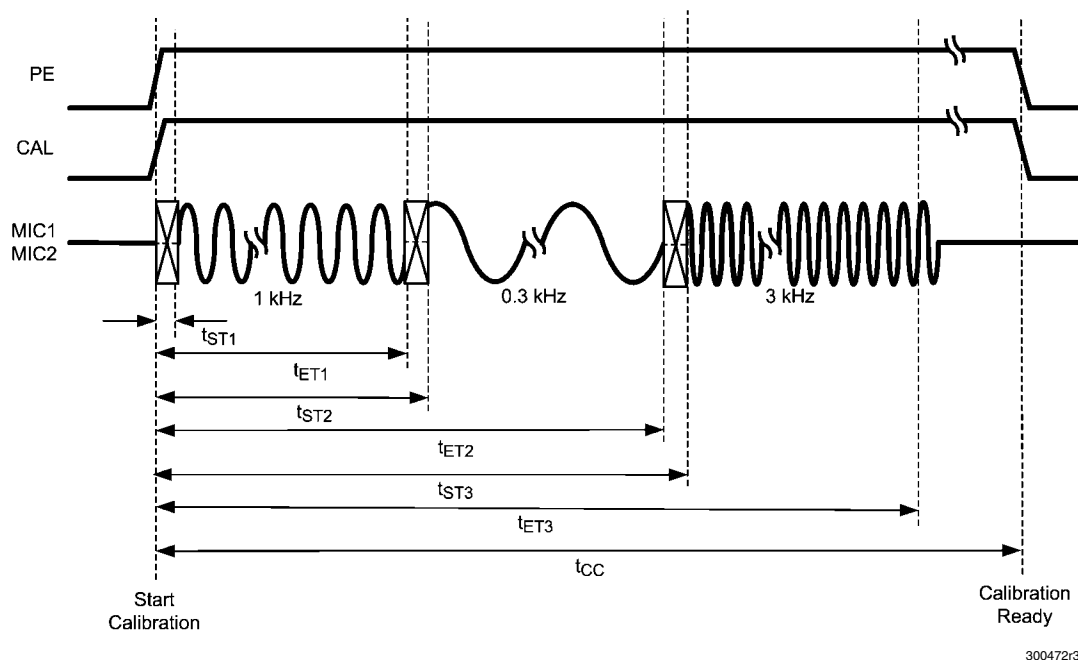


FIGURE 12. Calibration Timing

TABLE 7. Automatic Calibration Timing Parameters

Symbol	Parameter	Limits		Units
		Min	Max	
t_{ST1}	Calibration Start Tone 1		10	ms
t_{ET1}	Calibration End Tone 1	200		ms
t_{ST2}	Calibration Start Tone 2		210	ms
t_{ET2}	Calibration End Tone 2	400		ms
t_{ST3}	Calibration Start Tone 3		410	ms
t_{ET3}	Calibration End Tone 3	600		ms
t_{CC}	Calibration Complete	790		ms

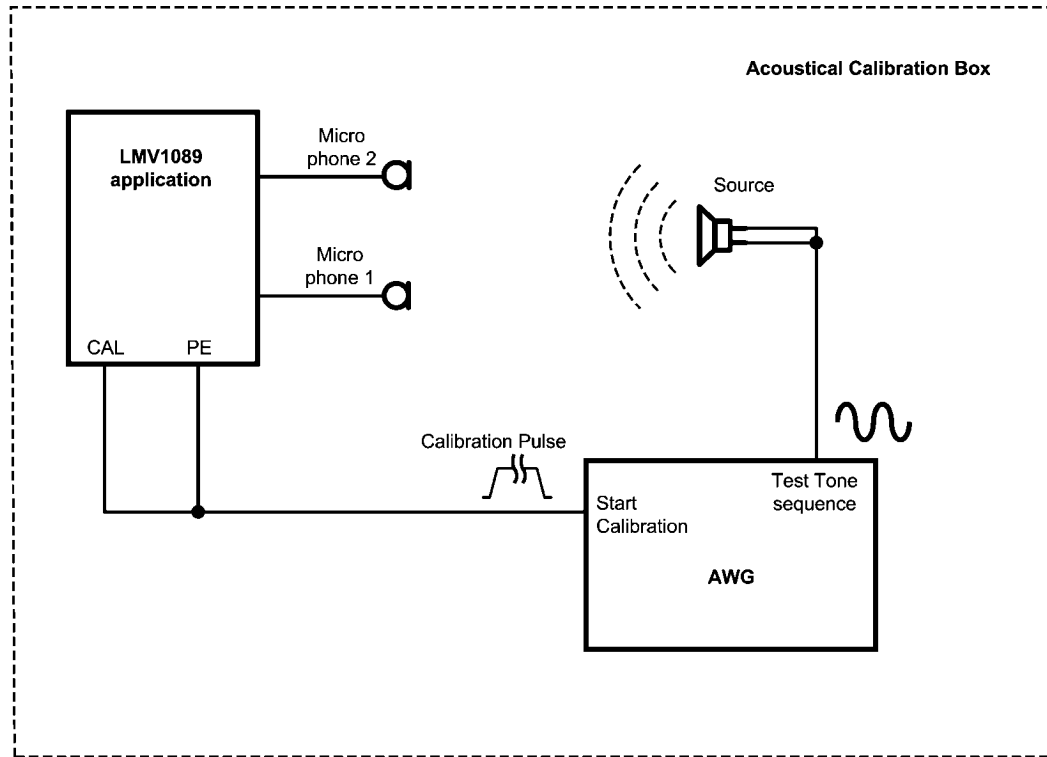
NOTE: Data guaranteed by design

AUTOMATIC CALIBRATION SETUP

A calibration test setup consists of a test room (acoustical box) with a loudspeaker (acoustical source) driven with the test tone sequence from [Figure 12](#). The test setup is shown in [Figure 13](#). The distances between the source and microphone 1 and microphone 2 must be equal and the sound must travel without any obstacle from source to both microphones.

The sound will travel with the limited speed of 300m/s from the loudspeaker source to the microphones. When creating the calibration signals this time should not be ignored, 30cm distance will cause 1ms delay.

For an optimum automatic calibration the output level of the microphones and preamp gain must be set so that the resulting signal at the output of the preamplifier is $100\text{mV}_{\text{P-P}} \pm 6\text{dB}$



30047235

FIGURE 13. Calibration Test setup

MANUAL CALIBRATION

You can manually program the gain compensation of the two mic inputs on the LMV1089 using the I²C interface. [Table 5](#) shows the control bits for I²C Register O and P with the corresponding gains. This can be easily done by doing the following:

- 1) READ contents of the I²C register N immediately after powering up.
- 2) Set PE pin and T7 pin to V_{dd}.
- 3) WRITE to I²C register O and P to choose the calibration settings.

Bits O<7:4> control the two mics at 300Hz and bits O<3:0> control the two mics at 3kHz.

Bits P<7:4> control the right channel gain and bits P<3:0> control the left channel gain

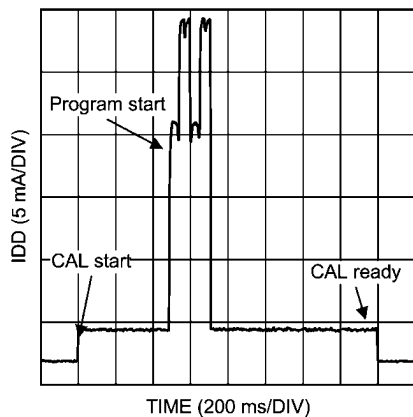
4) WRITE a '0' to I²C register Q<7> bit (storeBar) and the bits from I²C register N<6:0> to I²C register Q<6:0>

5) When I²C register N<7> (ready) goes high, then the EEPROM programming is complete. Now PE pin and T7 pin should be set to GND and I²C register Q<7> (storeBar) should be returned to '1'.

SUPPLY CURRENT DURING CALIBRATION

The calibration function performs two main tasks in a sequence. First the AC characteristics of the microphones are matched. Then in the second stage, if the PE pin is high, the on-chip EEPROM is programmed.

During the first stage of this sequence the supply current on the LMV1089 will increase to about 2.5mA. During the writing of the EEPROM the supply current will rise for about 215 ms to about 30mA. This increased current is used for the on chip charge pump which generates the high voltages that are required for programming the EEPROM.



30047236

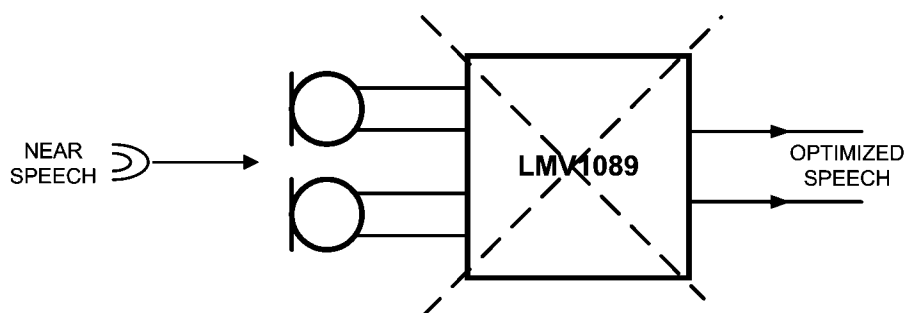
FIGURE 14. Supply current during calibration and programming

Microphone Placement

Because the LMV1089 is a microphone array Far Field Noise Reduction solution, proper microphone placement is critical for optimum performance. Two things need to be considered: The spacing between the two microphones and the position of the two microphones relative to near field source

If the spacing between the two microphones is too small, near field speech will be canceled along with the far field noise. Conversely, if the spacing between the two microphones is large, the far field noise reduction performance will be degraded. The optimum spacing between Mic 1 and Mic 2 is 1.5-2.5cm. This range provides a balance of minimal near field speech loss and maximum far field noise reduction.

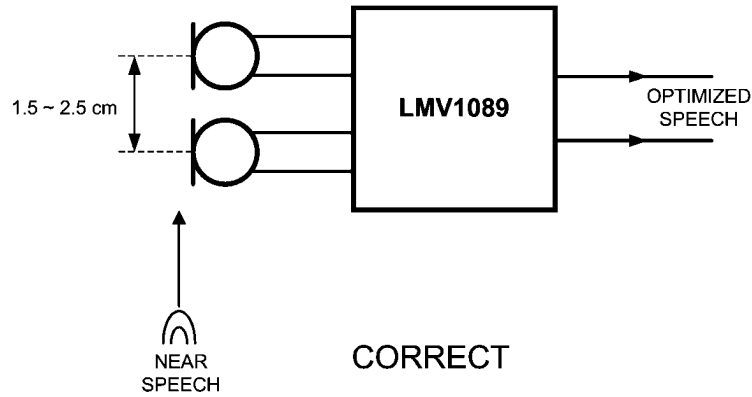
The microphones should be in line with the desired sound source 'near speech' and configured in an endfire array (see [Figure 16](#)) orientation from the sound source. If the 'near speech' (desired sound source) is equidistant to the source like a broadside array (see [Figure 15](#)) the result will be a great deal of near field speech loss.



WRONG

30047243

FIGURE 15. Broadside Array (WRONG)



30047242

FIGURE 16. Endfire Array (CORRECT)

Low-Pass Filter At The Output

At the output of the LMV1089 there is a provision to create a 1st order low-pass filter (only enabled in 'Noise Cancelling' mode). This low-pass filter can be used to compensate for the change in frequency response that results from the noise cancellation process. The change in frequency response resembles a first-order high-pass filter, and for many of the applications it can be compensated by a first-order low-pass filter with cutoff frequency between 1.5kHz and 2.5kHz.

The transfer function of the low-pass filter is derived as:

$$H(s) = \frac{\text{Post Amplifier gain}}{sR_f C_f + 1}$$

This low-pass filter is created by connecting a capacitor between the LPF pin and the OUT pin of the LMV1089. The value of this capacitor also depends on the selected output gain. For different gains the feedback resistance in the low-pass filter network changes as shown in [Table 8](#).

TABLE 8. Low-Pass Filter Internal Impedance

Post Amplifier Gain Setting (dB) in Pass Through mode	Feedback Resistance R _f (kΩ)
6	20
9	29
12	40
15	57
18	80

This will result in the following values for a cutoff frequency of 2000 Hz:

TABLE 9. Low-Pass Filter Capacitor For 2kHz

Post Amplifier Gain Setting (dB)	R _f (kΩ)	C _f (nF)
6	20	3.9
9	29	2.7
12	40	2.0
15	57	1.3
18	80	1.0

Measurement Setup

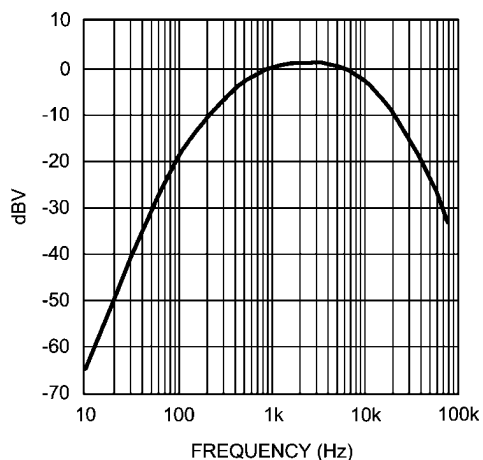
Because of the nature of the calibration system it is not possible to predict the absolute gain in the two microphone channels of the Far Field Noise Cancelling System. This is because, after the calibration function has been operated, the noise cancelling circuit will compensate for the difference in gain between the microphones. In Noise Cancelling mode, this can result in a final gain offset of max 3dB between the gain set in the registers (A[3:0] and B[2:0]) and the actual measured gain between input and output of the LMV1089. After performing a calibration the frequency characteristic of the microphone channels will be matched for the two microphones. As a result of this matching there can be a slight slope in the frequency characteristic in one or both amplifiers.

A-WEIGHTED FILTER

The human ear is sensitive for acoustic signals within a frequency range from about 20Hz to 20kHz. Within this range the sensitivity of the human ear is not equal for each frequency. To approach the hearing response, weighting filters are introduced. One of those filters is the A-weighted filter.

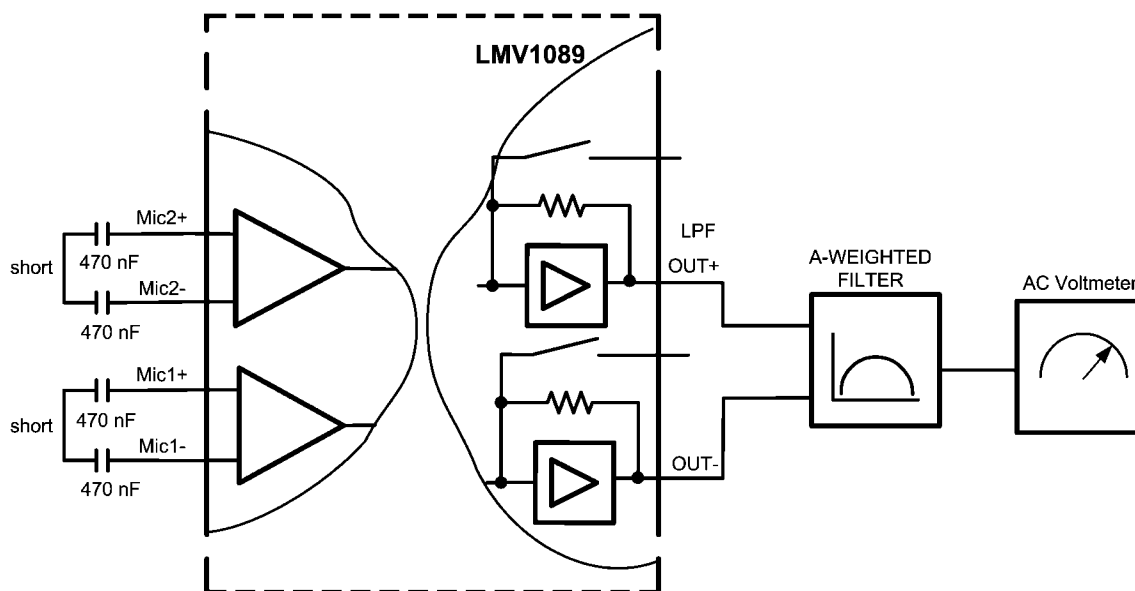
The A-weighted filter is used in signal to noise measurements, where the wanted audio signal is compared to device noise and distortion.

The use of this filter improves the correlation of the measured values to the way these ratios are perceived by the human ear.



30047210

FIGURE 17. A-Weighted Filter



30047211

FIGURE 18. Noise Measurement Setup

For the signal to noise ratio (SNR) the signal level at the output is measured with a 1kHz input signal of $18\text{mV}_{\text{P-P}}$ using an A-weighted filter. This voltage represents the output voltage of a typical electret condenser microphone at a sound pressure level of 94dB SPL, which is the standard level for these measurements. The LMV1089 is programmed for 26dB of to-

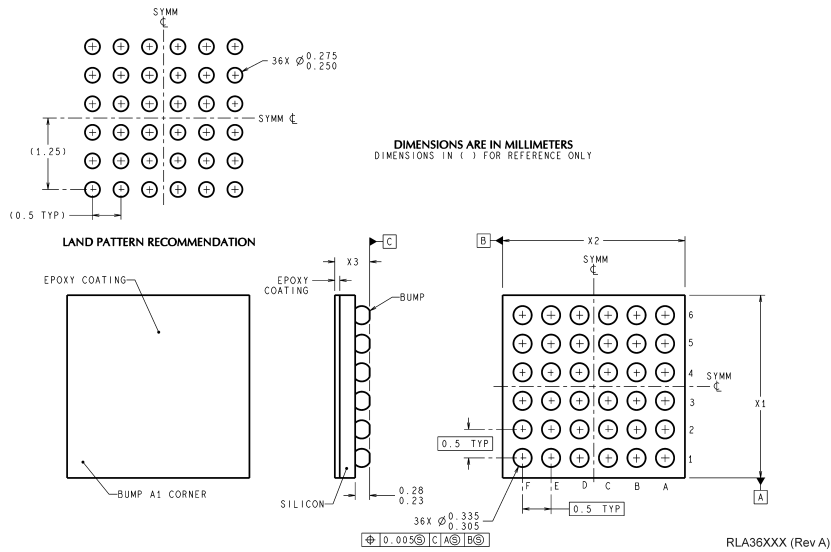
tal gain (20dB preamplifier and 6dB postamplifier) with only Mic1 or Mic2 used. (See also *I²C Compatible Interface*).

The input signal is applied differentially between the Mic+ and Mic-. Because the part is in Pass Through mode the low-pass filter at the output of the LMV1089 is disabled.

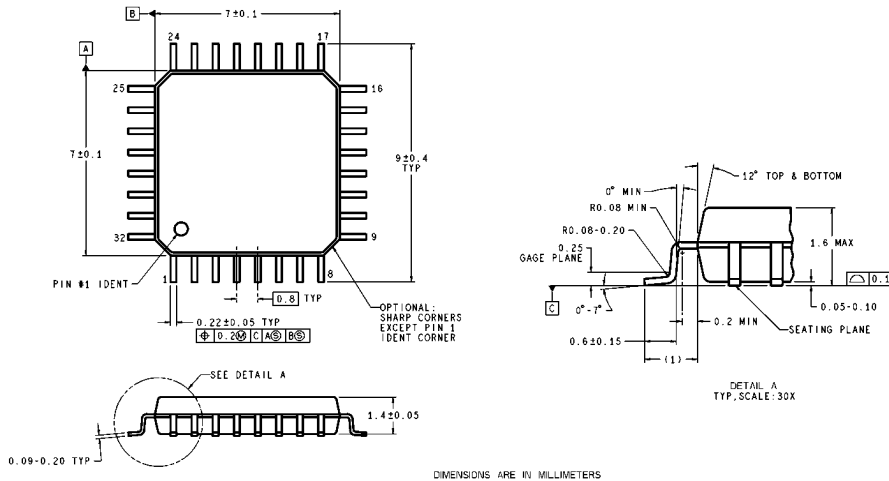
Revision History

Rev	Date	Description
1.0	09/24/08	Initial release.
1.01	09/30/08	Text edits.
1.02	10/14/08	Text edits.
1.03	10/24/08	Text edits.
1.04	10/28/08	Added the LMV1089VY package .
1.05	12/11/08	Text edits.
1.06	12/17/08	Text edits.
1.07	01/13/09	Edited graphic 30047227 (32-Lead LQFP package).
1.08	02/23/09	Text edits.
1.09	02/27/09	Deleted the "Clarisuond" label from the Typical Application ckt. diagram.
1.10	06/17/09	Text edits (A2 pin) in the Pin Name and Function table.
1.11	07/06/09	Updated the Typical and Limit values (Zin) in the EC tables.
1.12	05/19/10	Fixed a minor typo in the front page.

Physical Dimensions inches (millimeters) unless otherwise noted



36 Bump micro SMD Technology
NS Package Number RLA36TTA
 $X_1 = 3.459 \pm 0.03(\text{mm})$, $X_2 = 3.459(\text{mm}) \pm 0.03$, $X_3 = 0.66 \pm 0.075(\text{mm})$



32 Lead LQFP Technology
NS Package Number NVBE0032
 $X_1 = 3.459 \pm 0.03(\text{mm})$, $X_2 = 3.459(\text{mm}) \pm 0.03$, $X_3 = 0.66 \pm 0.075(\text{mm})$

For more National Semiconductor product information and proven design tools, visit the following Web sites at:
www.national.com

Products		Design Support	
Amplifiers	www.national.com/amplifiers	WEBENCH® Tools	www.national.com/webench
Audio	www.national.com/audio	App Notes	www.national.com/appnotes
Clock and Timing	www.national.com/timing	Reference Designs	www.national.com/refdesigns
Data Converters	www.national.com/adc	Samples	www.national.com/samples
Interface	www.national.com/interface	Eval Boards	www.national.com/evalboards
LVDS	www.national.com/lvds	Packaging	www.national.com/packaging
Power Management	www.national.com/power	Green Compliance	www.national.com/quality/green
Switching Regulators	www.national.com/switchers	Distributors	www.national.com/contacts
LDOs	www.national.com/ldo	Quality and Reliability	www.national.com/quality
LED Lighting	www.national.com/led	Feedback/Support	www.national.com/feedback
Voltage References	www.national.com/vref	Design Made Easy	www.national.com/easy
PowerWise® Solutions	www.national.com/powerwise	Applications & Markets	www.national.com/solutions
Serial Digital Interface (SDI)	www.national.com/sdi	Mil/Aero	www.national.com/milaero
Temperature Sensors	www.national.com/tempensors	SolarMagic™	www.national.com/solarmagic
PLL/VCO	www.national.com/wireless	PowerWise® Design University	www.national.com/training

THE CONTENTS OF THIS DOCUMENT ARE PROVIDED IN CONNECTION WITH NATIONAL SEMICONDUCTOR CORPORATION ("NATIONAL") PRODUCTS. NATIONAL MAKES NO REPRESENTATIONS OR WARRANTIES WITH RESPECT TO THE ACCURACY OR COMPLETENESS OF THE CONTENTS OF THIS PUBLICATION AND RESERVES THE RIGHT TO MAKE CHANGES TO SPECIFICATIONS AND PRODUCT DESCRIPTIONS AT ANY TIME WITHOUT NOTICE. NO LICENSE, WHETHER EXPRESS, IMPLIED, ARISING BY ESTOPPEL OR OTHERWISE, TO ANY INTELLECTUAL PROPERTY RIGHTS IS GRANTED BY THIS DOCUMENT.

TESTING AND OTHER QUALITY CONTROLS ARE USED TO THE EXTENT NATIONAL DEEMS NECESSARY TO SUPPORT NATIONAL'S PRODUCT WARRANTY. EXCEPT WHERE MANDATED BY GOVERNMENT REQUIREMENTS, TESTING OF ALL PARAMETERS OF EACH PRODUCT IS NOT NECESSARILY PERFORMED. NATIONAL ASSUMES NO LIABILITY FOR APPLICATIONS ASSISTANCE OR BUYER PRODUCT DESIGN. BUYERS ARE RESPONSIBLE FOR THEIR PRODUCTS AND APPLICATIONS USING NATIONAL COMPONENTS. PRIOR TO USING OR DISTRIBUTING ANY PRODUCTS THAT INCLUDE NATIONAL COMPONENTS, BUYERS SHOULD PROVIDE ADEQUATE DESIGN, TESTING AND OPERATING SAFEGUARDS.

EXCEPT AS PROVIDED IN NATIONAL'S TERMS AND CONDITIONS OF SALE FOR SUCH PRODUCTS, NATIONAL ASSUMES NO LIABILITY WHATSOEVER, AND NATIONAL DISCLAIMS ANY EXPRESS OR IMPLIED WARRANTY RELATING TO THE SALE AND/OR USE OF NATIONAL PRODUCTS INCLUDING LIABILITY OR WARRANTIES RELATING TO FITNESS FOR A PARTICULAR PURPOSE, MERCHANTABILITY, OR INFRINGEMENT OF ANY PATENT, COPYRIGHT OR OTHER INTELLECTUAL PROPERTY RIGHT.

LIFE SUPPORT POLICY

NATIONAL'S PRODUCTS ARE NOT AUTHORIZED FOR USE AS CRITICAL COMPONENTS IN LIFE SUPPORT DEVICES OR SYSTEMS WITHOUT THE EXPRESS PRIOR WRITTEN APPROVAL OF THE CHIEF EXECUTIVE OFFICER AND GENERAL COUNSEL OF NATIONAL SEMICONDUCTOR CORPORATION. As used herein:

Life support devices or systems are devices which (a) are intended for surgical implant into the body, or (b) support or sustain life and whose failure to perform when properly used in accordance with instructions for use provided in the labeling can be reasonably expected to result in a significant injury to the user. A critical component is any component in a life support device or system whose failure to perform can be reasonably expected to cause the failure of the life support device or system or to affect its safety or effectiveness.

National Semiconductor and the National Semiconductor logo are registered trademarks of National Semiconductor Corporation. All other brand or product names may be trademarks or registered trademarks of their respective holders.

Copyright© 2010 National Semiconductor Corporation

For the most current product information visit us at www.national.com



National Semiconductor Americas Technical Support Center
 Email: support@nsc.com
 Tel: 1-800-272-9959

National Semiconductor Europe Technical Support Center
 Email: europe.support@nsc.com

National Semiconductor Asia Pacific Technical Support Center
 Email: ap.support@nsc.com

National Semiconductor Japan Technical Support Center
 Email: jpn.feedback@nsc.com