



CD74FCT240T, CD74FCT241T, CD74FCT244T, CD74FCT540T, CD74FCT541T, CD74FCT2240T, CD74FCT2241T, CD74FCT2244T, CD74FCT2541T

October 1996

Fast CMOS Octal Buffer and Line Drivers

Features

- Advanced 0.8 micron CMOS Technology
- These Devices are Pin Compatible with Bipolar FAST™ Series at a Higher Speed and Lower Power Consumption
- 25Ω series resistor on all outputs (FCT2XXX only)
- TTL input and output levels
- Low ground bounce outputs
- Extremely low static power
- Hysteresis on all inputs

Description

These devices are 8-bit wide driver circuits, designed to be used in applications requiring high-speed and high-output drive. Ideal applications would include bus drivers, memory drivers, address drivers, and system clock drivers.

The CD74FCT540T, CD74FCT541T and CD74FCT2541T provide similar driver capabilities, but have their pins physically grouped by function. All inputs are located on one side of the package, while outputs are on the opposite side, allowing for a much simpler and denser board layout.

All CD74FCT2240T, CD74FCT2241T, CD74FCT2244T, CD74FCT2541T devices have a built-in 25Ω series resistor on all outputs to reduce noise due to reflections, thus eliminating the need for an external terminating resistor.

Ordering Information

PART NUMBER	TEMP. RANGE (°C)	PACKAGE	PKG. NO.
CD74FCT240TM	-40 to 85	20 Ld SOIC	M20.3-P
CD74FCT240ATM	-40 to 85	20 Ld SOIC	M20.3-P
CD74FCT240CTM	-40 to 85	20 Ld SOIC	M20.3-P
CD74FCT240DTM	-40 to 85	20 Ld SOIC	M20.3-P
CD74FCT240TQM	-40 to 85	20 Ld QSOP	M20.15-P
CD74FCT240ATQM	-40 to 85	20 Ld QSOP	M20.15-P
CD74FCT240CTQM	-40 to 85	20 Ld QSOP	M20.15-P
CD74FCT240DTQM	-40 to 85	20 Ld QSOP	M20.15-P
CD74FCT241TM	-40 to 85	20 Ld SOIC	M20.3-P
CD74FCT241ATM	-40 to 85	20 Ld SOIC	M20.3-P
CD74FCT241CTM	-40 to 85	20 Ld SOIC	M20.3-P
CD74FCT241DTM	-40 to 85	20 Ld SOIC	M20.3-P
CD74FCT241TQM	-40 to 85	20 Ld QSOP	M20.15-P
CD74FCT241ATQM	-40 to 85	20 Ld QSOP	M20.15-P
CD74FCT241CTQM	-40 to 85	20 Ld QSOP	M20.15-P
CD74FCT241DTQM	-40 to 85	20 Ld QSOP	M20.15-P
CD74FCT244TM	-40 to 85	20 Ld SOIC	M20.3-P
CD74FCT244ATM	-40 to 85	20 Ld SOIC	M20.3-P
CD74FCT244CTM	-40 to 85	20 Ld SOIC	M20.3-P
CD74FCT244DTM	-40 to 85	20 Ld SOIC	M20.3-P
CD74FCT244TQM	-40 to 85	20 Ld QSOP	M20.15-P
CD74FCT244ATQM	-40 to 85	20 Ld QSOP	M20.15-P
CD74FCT244CTQM	-40 to 85	20 Ld QSOP	M20.15-P
CD74FCT244DTQM	-40 to 85	20 Ld QSOP	M20.15-P
CD74FCT540TM	-40 to 85	20 Ld SOIC	M20.3-P
CD74FCT540ATM	-40 to 85	20 Ld SOIC	M20.3-P
CD74FCT540CTM	-40 to 85	20 Ld SOIC	M20.3-P
CD74FCT540DTM	-40 to 85	20 Ld SOIC	M20.3-P
CD74FCT540TQM	-40 to 85	20 Ld QSOP	M20.15-P
CD74FCT540ATQM	-40 to 85	20 Ld QSOP	M20.15-P
CD74FCT540CTQM	-40 to 85	20 Ld QSOP	M20.15-P
CD74FCT540DTQM	-40 to 85	20 Ld QSOP	M20.15-P
CD74FCT541TM	-40 to 85	20 Ld SOIC	M20.3-P

PART NUMBER	TEMP. RANGE (°C)	PACKAGE	PKG. NO.
CD74FCT541ATM	-40 to 85	20 Ld SOIC	M20.3-P
CD74FCT541CTM	-40 to 85	20 Ld SOIC	M20.3-P
CD74FCT541DTM	-40 to 85	20 Ld SOIC	M20.3-P
CD74FCT541TQM	-40 to 85	20 Ld QSOP	M20.15-P
CD74FCT541ATQM	-40 to 85	20 Ld QSOP	M20.15-P
CD74FCT541CTQM	-40 to 85	20 Ld QSOP	M20.15-P
CD74FCT541DTQM	-40 to 85	20 Ld QSOP	M20.15-P
CD74FCT2240TM	-40 to 85	20 Ld SOIC	M20.3-P
CD74FCT2240ATM	-40 to 85	20 Ld SOIC	M20.3-P
CD74FCT2240CTM	-40 to 85	20 Ld SOIC	M20.3-P
CD74FCT2240TQM	-40 to 85	20 Ld QSOP	M20.15-P
CD74FCT2240ATQM	-40 to 85	20 Ld QSOP	M20.15-P
CD74FCT2241CTQM	-40 to 85	20 Ld QSOP	M20.15-P
CD74FCT2241TM	-40 to 85	20 Ld SOIC	M20.3-P
CD74FCT2241ATM	-40 to 85	20 Ld SOIC	M20.3-P
CD74FCT2241CTM	-40 to 85	20 Ld SOIC	M20.3-P
CD74FCT2241TQM	-40 to 85	20 Ld QSOP	M20.15-P
CD74FCT2241ATQM	-40 to 85	20 Ld QSOP	M20.15-P
CD74FCT2241CTQM	-40 to 85	20 Ld QSOP	M20.15-P
CD74FCT2244TM	-40 to 85	20 Ld SOIC	M20.3-P
CD74FCT2244ATM	-40 to 85	20 Ld SOIC	M20.3-P
CD74FCT2244CTM	-40 to 85	20 Ld SOIC	M20.3-P
CD74FCT2244TQM	-40 to 85	20 Ld QSOP	M20.15-P
CD74FCT2244ATQM	-40 to 85	20 Ld QSOP	M20.15-P
CD74FCT2244CTQM	-40 to 85	20 Ld QSOP	M20.15-P
CD74FCT2541TM	-40 to 85	20 Ld SOIC	M20.3-P
CD74FCT2541ATM	-40 to 85	20 Ld SOIC	M20.3-P
CD74FCT2541CTM	-40 to 85	20 Ld SOIC	M20.3-P
CD74FCT2541TQM	-40 to 85	20 Ld QSOP	M20.15-P
CD74FCT2541ATQM	-40 to 85	20 Ld QSOP	M20.15-P
CD74FCT2541CTQM	-40 to 85	20 Ld QSOP	M20.15-P

NOTE: When ordering, use the entire part number. Add the suffix 96 to obtain the variant in the tape and reel.

CAUTION: These devices are sensitive to electrostatic discharge. Users should follow proper IC Handling Procedures.

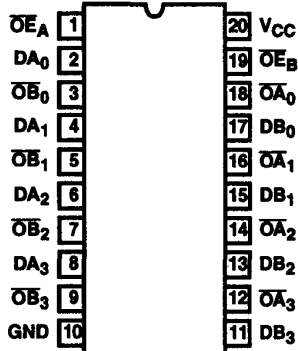
FAST™ is a trademark of Fairchild Semiconductor.

Copyright © Harris Corporation 1996

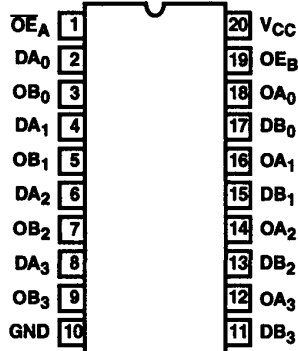
CD74FCT240T/241T/244T, CD74FCT540T/541T, CD74FCT2240T/2241T/2244T/2541T

Pinouts

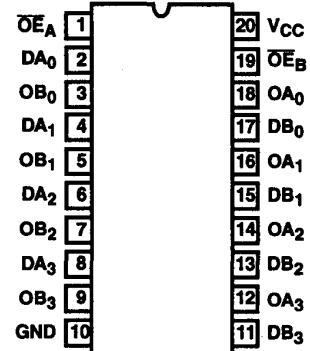
CD74FCT240T, CD74FCT2240T
(SOIC, QSOP)
TOP VIEW



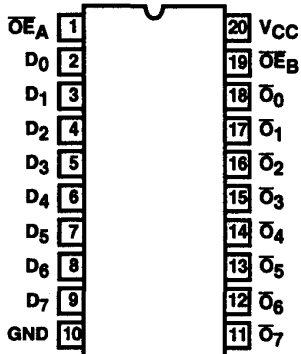
CD74FCT241T, CD74FCT2241T
(SOIC, QSOP)
TOP VIEW



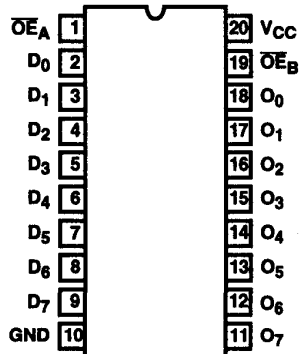
CD74FCT244T, CD74FCT2244T
(SOIC, QSOP)
TOP VIEW



CD74FCT540T
(SOIC, QSOP)
TOP VIEW

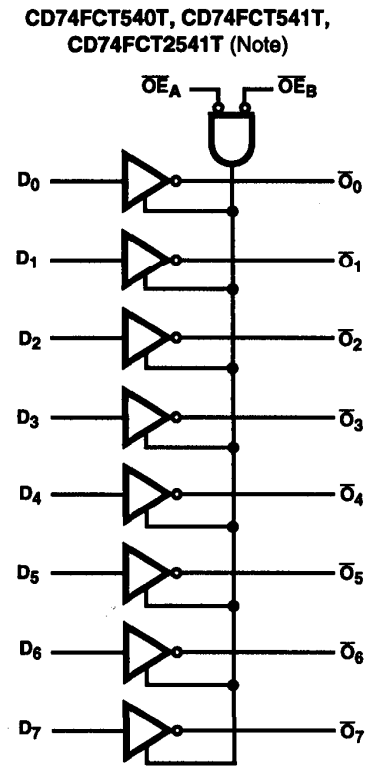
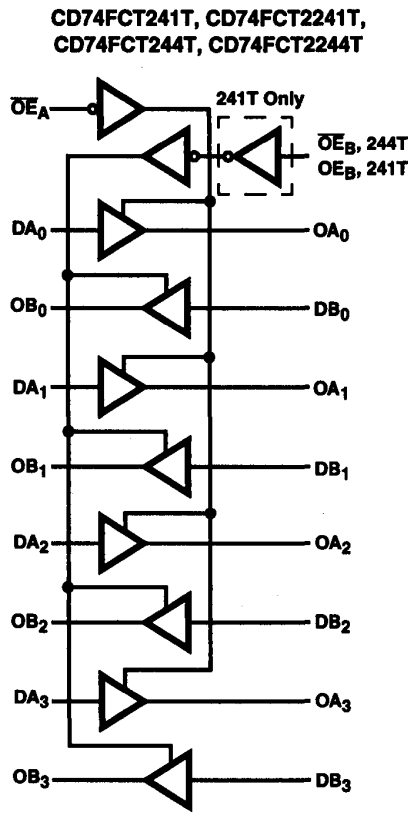
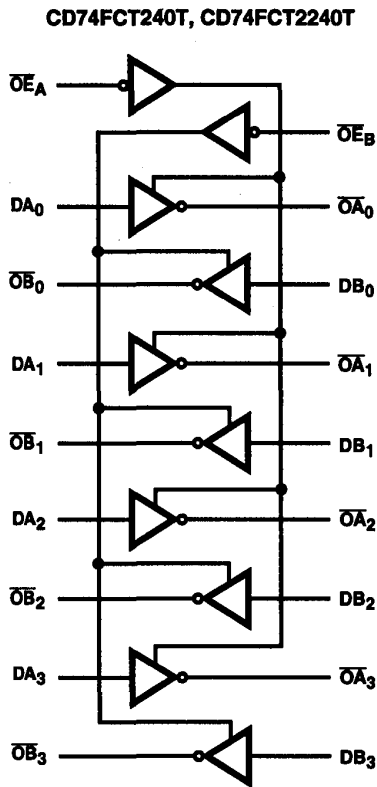


CD74FCT541T, CD74FCT2541
(SOIC, QSOP)
TOP VIEW



CD74FCT240T/241T/244T, CD74FCT540T/541T, CD74FCT2240T/2241T/2244T/2541T

Functional Block Diagrams



NOTE: The logic diagram shown for the 540T, 541T, 2541T is the non-inverting option.

TRUTH TABLE (NOTE 1)

INPUTS				OUTPUTS				
\overline{OE}_A	\overline{OE}_B	(NOTE 2) OE_B	D	240	241	244	540	541
L	L	H	L	H	L	L	H	L
L	L	H	H	L	H	H	L	H
H	H	L	X	Z	Z	Z	Z	Z

NOTES:

- H = High Voltage Level
L = Low Voltage Level
X = Don't Care
Z = High Impedance
- OE_B for CD74FCT241T only.

Pin Descriptions

PIN NAME	DESCRIPTION
$\overline{OE}_A, \overline{OE}_B$	3-State Output Enable Inputs (Active LOW)
OE_B (NOTE 3)	3-State Output Enable Input (Active HIGH)
D_{XX}	Inputs
O_{XX}	Outputs
GND	Ground
V_{CC}	Power

NOTE:

- OE_B for CD74FCT241T only.

CD74FCT240T/241T/244T, CD74FCT540T/541T, CD74FCT2240T/2241T/2244T/2541T

Absolute Maximum Ratings

DC Input Voltage -0.5V to 7.0V
 DC Output Current 120mA

Operating Conditions

Operating Temperature Range -40°C to 85°C
 Supply Voltage to Ground Potential
 Inputs and V_{CC} Only -0.5V to 7.0V
 Supply Voltage to Ground Potential
 Outputs and D/O Only -0.5V to 7.0V

Thermal Information

Thermal Resistance (Typical, Note 4) θ_{JA} (°C/W)
 SOIC Package 87
 QSOP Package 110
 Maximum Junction Temperature 150°C
 Maximum Storage Temperature Range -65°C to 150°C
 Maximum Lead Temperature (Soldering 10s) 300°C
 (Lead Tips Only)

CAUTION: Stresses above those listed in "Absolute Maximum Ratings" may cause permanent damage to the device. This is a stress only rating and operation of the device at these or any other conditions above those indicated in the operational sections of this specification is not implied.

NOTE:

4. θ_{JA} is measured with the component mounted on an evaluation PC board in free air.

Electrical Specifications

PARAMETER	SYMBOL	(NOTE 5) TEST CONDITIONS	MIN	(NOTE 6) TYP	MAX	UNITS
DC ELECTRICAL SPECIFICATIONS Over the Operating Range, T _A = -40°C to 85°C, V _{CC} = 5.0V ±5%						
Output HIGH Voltage	V _{OH}	V _{CC} = Min, V _{IN} = V _{IH} or V _{IL}	I _{OH} = -15.0mA	2.4	3.0	- V
Output LOW Voltage	V _{OL}	V _{CC} = Min, V _{IN} = V _{IH} or V _{IL}	I _{OL} = 64mA	-	0.3	0.50 V
Output LOW Voltage	V _{OL}	V _{CC} = Min, V _{IN} = V _{IH} or V _{IL}	I _{OL} = 12mA (25Ω series)	-	0.3	0.50 V
Input HIGH Voltage	V _{IH}	Guaranteed Logic HIGH Level		2.0	-	- V
Input LOW Voltage	V _{IL}	Guaranteed Logic LOW Level		-	-	0.8 V
Input HIGH Current	I _{IH}	V _{CC} = Max	V _{IN} = V _{CC}	-	-	1 μA
Input LOW Current	I _{IL}	V _{CC} = Max	V _{IN} = GND	-	-	-1 μA
High Impedance Output Current	I _{OZH}	V _{CC} = Max	V _{OUT} = 2.7V			1 μA
	I _{OZL}		V _{OUT} = 0.5V			-1 μA
Clamp Diode Voltage	V _{IK}	V _{CC} = Min, I _{IN} = -18mA		-	-0.7	-1.2 V
Short Circuit Current	I _{OS}	V _{CC} = Max (Note 7), V _{OUT} = GND		-60	-120	- mA
Power Down Disable	I _{OFF}	V _{CC} = GND, V _{OUT} = 4.5V		-	-	100 μA
Input Hysteresis	V _H			-	200	- mV
CAPACITANCE T _A = 25°C, f = 1MHz						
Input Capacitance (Note 8)	C _{IN}	V _{IN} = 0V		-	6	10 pF
Output Capacitance (Note 8)	C _{OUT}	V _{OUT} = 0V		-	8	12 pF
POWER SUPPLY SPECIFICATIONS						
Quiescent Power Supply Current	I _{CC}	V _{CC} = Max	V _{IN} = GND or V _{CC}	-	0.1	500 μA
Supply Current per Input at TTL HIGH	ΔI _{CC}	V _{CC} = Max	V _{IN} = 3.4V (Note 9)	-	0.5	2.5 mA

4

**OCTAL 5V FCT
5V FCT 25Ω**

CD74FCT240T/241T/244T, CD74FCT540T/541T, CD74FCT2240T/2241T/2244T/2541T

Electrical Specifications (Continued)

PARAMETER	SYMBOL	(NOTE 5) TEST CONDITIONS		MIN	(NOTE 6)	MAX	UNITS
					TYP		
Supply Current per Input per MHz (Note 10)	I _{CCD}	V _{CC} = Max, Outputs Open \overline{OE}_A or $\overline{OE}_B = GND$ or $\overline{OE}_A = GND, \overline{OE}_B = V_{CC}$ One Bit Toggling 50% Duty Cycle	V _{IN} = V _{CC} V _{IN} = GND	-	0.15	0.25	mA/ MHz
Total Power Supply Current (Note 12)	I _C	V _{CC} = Max, Outputs Open f _i = 10MHz, 50% Duty Cycle \overline{OE}_A or $\overline{OE}_B = GND$ or $\overline{OE}_A = GND, \overline{OE}_B = V_{CC}$ One Bit Toggling	V _{IN} = V _{CC} V _{IN} = GND	-	1.5	3.5 (Note 11)	mA
			V _{IN} = 3.4V V _{IN} = GND	-	1.8	4.5 (Note 11)	mA
		V _{CC} = Max, Outputs Open f _i = 2.5MHz, 50% Duty Cycle \overline{OE}_A or $\overline{OE}_B = GND$ or $\overline{OE}_A = GND, \overline{OE}_B = V_{CC}$ Eight Bits Toggling	V _{IN} = V _{CC} V _{IN} = GND	-	3.0	6.0 (Note 11)	mA
			V _{IN} = 3.4V V _{IN} = GND	-	5.0	14.0 (Note 11)	mA

Switching Specifications Over Operating Range

PARAMETER	SYMBOL	(NOTE 13) TEST CONDITIONS	T		AT		CT		(NOTE 16) DT		UNIT
			(NOTE 14) MIN	MAX	(NOTE 14) MIN	MAX	(NOTE 14) MIN	MAX	(NOTE 14) MIN	MAX	
			CD74FCT240T, CD74FCT2240T								
Propagation Delay D _N to \overline{O}_N	t _{PLH} , t _{PHL}	C _L = 50pF R _L = 500Ω	1.5	8.0	1.5	4.8	1.5	4.3	1.5	3.6	ns
Output Enable Time \overline{OE}_X to \overline{O}_N	t _{PZH} , t _{PZL}		1.5	10.0	1.5	6.2	1.5	5.8	1.5	4.8	ns
Output Disable Time (Note 15) \overline{OE}_X to \overline{O}_N	t _{PHZ} , t _{PLZ}		1.5	9.5	1.5	5.6	1.5	5.2	1.5	4.0	ns
CD74FCT241T, CD74FCT2241T											
Propagation Delay D _N to \overline{O}_N	t _{PLH} , t _{PHL}	C _L = 50pF R _L = 500Ω	1.5	6.5	1.5	4.8	1.5	4.1	1.5	3.6	ns
Output Enable Time $\overline{OE}_A/\overline{OE}_B$ to \overline{O}_N	t _{PZH} , t _{PZL}		1.5	8.0	1.5	6.2	1.5	5.8	1.5	4.8	ns
Output Disable Time (Note 15) $\overline{OE}_A/\overline{OE}_B$ to \overline{O}_N	t _{PHZ} , t _{PLZ}		1.5	7.0	1.5	5.6	1.5	5.2	1.5	4.0	ns
CD74FCT244T, CD74FCT2244T											
Propagation Delay D _N to \overline{O}_N	t _{PLH} , t _{PHL}	C _L = 50pF R _L = 500Ω	1.5	6.5	1.5	4.8	1.5	4.1	1.5	3.6	ns
Output Enable Time \overline{OE}_X to \overline{O}_N	t _{PZH} , t _{PZL}		1.5	8.0	1.5	6.2	1.5	5.8	1.5	4.8	ns
Output Disable Time (Note 15) \overline{OE}_X to \overline{O}_N	t _{PHZ} , t _{PLZ}		1.5	7.0	1.5	5.6	1.5	5.2	1.5	4.0	ns

CD74FCT240T/241T/244T, CD74FCT540T/541T, CD74FCT2240T/2241T/2244T/2541T

Switching Specifications Over Operating Range (Continued)

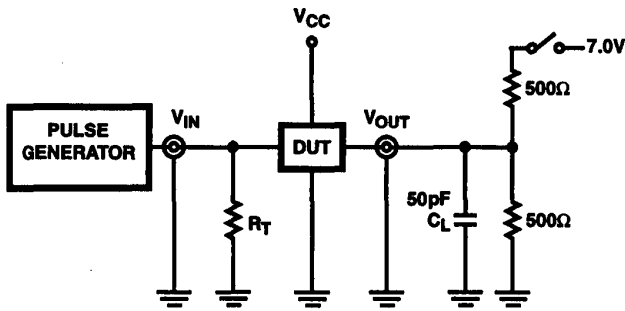
PARAMETER	SYMBOL	(NOTE 13) TEST CONDITIONS	T		AT		CT		(NOTE 16) DT		UNIT
			(NOTE 14) MIN	MAX	(NOTE 14) MIN	MAX	(NOTE 14) MIN	MAX	(NOTE 14) MIN	MAX	
CD74FCT540T											
Propagation Delay D _N to \bar{O}_N	t _{PLH} , t _{PHL}	C _L = 50pF R _L = 500Ω	1.5	5.5	1.5	4.8	1.5	4.3	1.5	3.8	ns
Output Enable Time $\bar{O}E_X$ to \bar{O}_N	t _{PZH} , t _{PZL}		1.5	10.0	1.5	6.2	1.5	5.8	1.5	5.2	ns
Output Disable Time (Note 15) $\bar{O}E_X$ to \bar{O}_N	t _{PHZ} , t _{PLZ}		1.5	6.0	1.5	5.6	1.5	5.2	1.5	5.2	ns
CD74FCT541T, CD74FCT2541T											
Propagation Delay D _N to O _N	t _{PLH} , t _{PHL}	C _L = 50pF R _L = 500Ω	1.5	6.0	1.5	4.8	1.5	4.1	1.5	3.8	ns
Output Enable Time $\bar{O}E_X$ to O _N	t _{PZH} , t _{PZL}		1.5	9.5	1.5	6.2	1.5	5.8	1.5	5.2	ns
Output Disable Time (Note 15) $\bar{O}E_X$ to O _N	t _{PHZ} , t _{PLZ}		1.5	6.5	1.5	5.6	1.5	5.2	1.5	5.2	ns

NOTES:

- For conditions shown as Max or Min, use appropriate value specified under Electrical Specifications for the applicable device type.
- Typical values are at V_{CC} = 5.0V, 25°C ambient and maximum loading, except as noted.
- Not more than one output should be shorted at one time. Duration of the test should not exceed one second.
- This parameter is determined by device characterization but is not production tested.
- Per TTL driven input (V_{IN} = 3.4V); all other inputs at V_{CC} or GND.
- This parameter is not directly testable, but is derived for use in Total Power Supply Calculations.
- Values for these conditions are examples of the I_{CC} formula. These limits are guaranteed but not tested.
- $I_C = I_{QUIESCENT} + I_{INPUTS} + I_{DYNAMIC}$
 $I_C = I_{CC} + \Delta I_{CC} D_H N_T + I_{CCD} (f_{CP}/2 + f_i N_i)$
 I_{CC} = Quiescent Current
 ΔI_{CC} = Power Supply Current for a TTL High Input (V_{IN} = 3.4V)
 D_H = Duty Cycle for TTL Inputs High
 N_T = Number of TTL Inputs at D_H
 I_{CCD} = Dynamic Current Caused by an Input Transition Pair (HLH or LHL)
 f_{CP} = Clock Frequency for Register Devices (Zero for Non-Register Devices)
 f_i = Input Frequency
 N_i = Number of Inputs at f_i
 All currents are in milliamps and all frequencies are in megahertz.
- See test circuit and wave forms.
- Minimum limits are guaranteed but not tested on Propagation Delays.
- This parameter is guaranteed but not production tested.
- Suffix DT Speed for types FCT240T/241T/244T/540T/541T only.

4
OCTAL 5V FCT
5V FCT 25Ω

Test Circuits and Waveforms



SWITCH POSITION	
TEST	SWITCH
t_{PLZ}, t_{PZL}	Closed
$t_{PHZ}, t_{PZH}, t_{PLH}, t_{PHL}$	Open

DEFINITIONS:

C_L = Load capacitance, includes jig and probe capacitance.

R_T = Termination resistance, should be equal to Z_{OUT} of the Pulse Generator.

NOTE:

17. Pulse Generator for All Pulses: Rate $\leq 1.0\text{MHz}$; $Z_{OUT} \leq 50\Omega$;
 $t_f, t_r \leq 2.5\text{ns}$.

FIGURE 1. TEST CIRCUIT

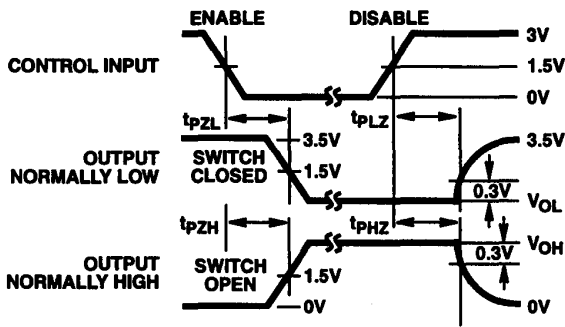


FIGURE 2. ENABLE AND DISABLE TIMING

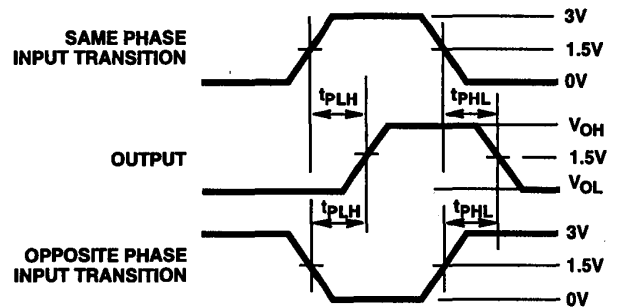


FIGURE 3. PROPAGATION DELAY