

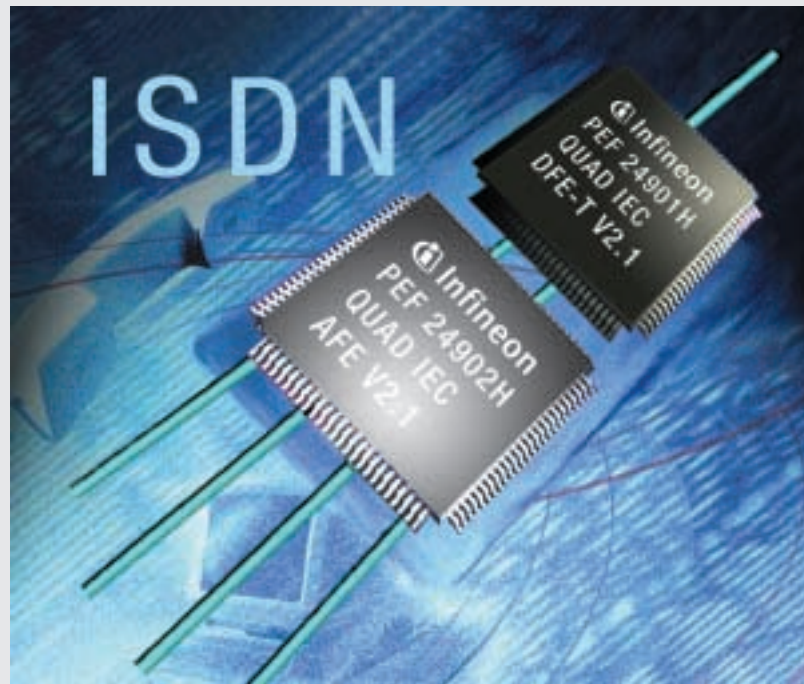
IEC4-T

PEF 24901 V2.1 (DFE-T)

PEF 24902 V2.1 (AFE)

ISDN Echocancellation Circuit
4-Channel for 4B3T Line Code

The widely used ISDN 4-channel chipset IEC4-T consisting of the analog frontend PEB/F 24902 (AFE) and the digital frontend PEB/F 24901 (DFE-T) has been optimized by a redesign of the digital part. The improvements of the DFE-T are a reduced supply-voltage due to its advanced low power 3.3V-CMOS-technology, the doubling of the IOM[®]-2 data-rate up to 4 Mbit/s and new features in terms of testability and analysis. The IEC4-T chipset fulfills all relevant FTZ, ETSI and ITU standards. Because of its multichannel-architecture it is extremely suitable for highly integrated ISDN linecards.

**Applications**

- Central office digital linecard
- Access network linecards
- PBX linecards

Features

- Two chip solution featuring full duplex data transmission and reception over two-wire metallic subscriber loops providing 4x ISDN basic rate access
- Fully compliant to:
 - FTZ Guideline 1TR220
 - ETSI TS 102 080 (1998)
 - Recommendation ITU-T I.430
- 4B3T block code at 120 kHz symbol rate
- Loop length without repeater:
 - up to 4.2 km on 0.4 mm wire
 - up to 8.0 km on 0.6 mm wire
- LT mode
- Low power consumption
- IOM[®]-2 interface for stand alone mode
- 1 kbit/s maintenance channel for transmission of data loopback commands and detected transmission errors
- Masterclock generated by PLL
- Activation and deactivation
- Adaptive echo cancellation and equalization
- Automatic gain control and polarity adaption
- 4 relay driver pins per channel to switch relays or power controller
- 2 status pins per channel
- Extended temperature range (40°C to +85°C)
- JTAG Boundary Scan
- P-MQFP-64 package
- Part of the Infineon System Solution

Add-On Features of the DFE-T PEF 24901 V2.1 compared to V1.x

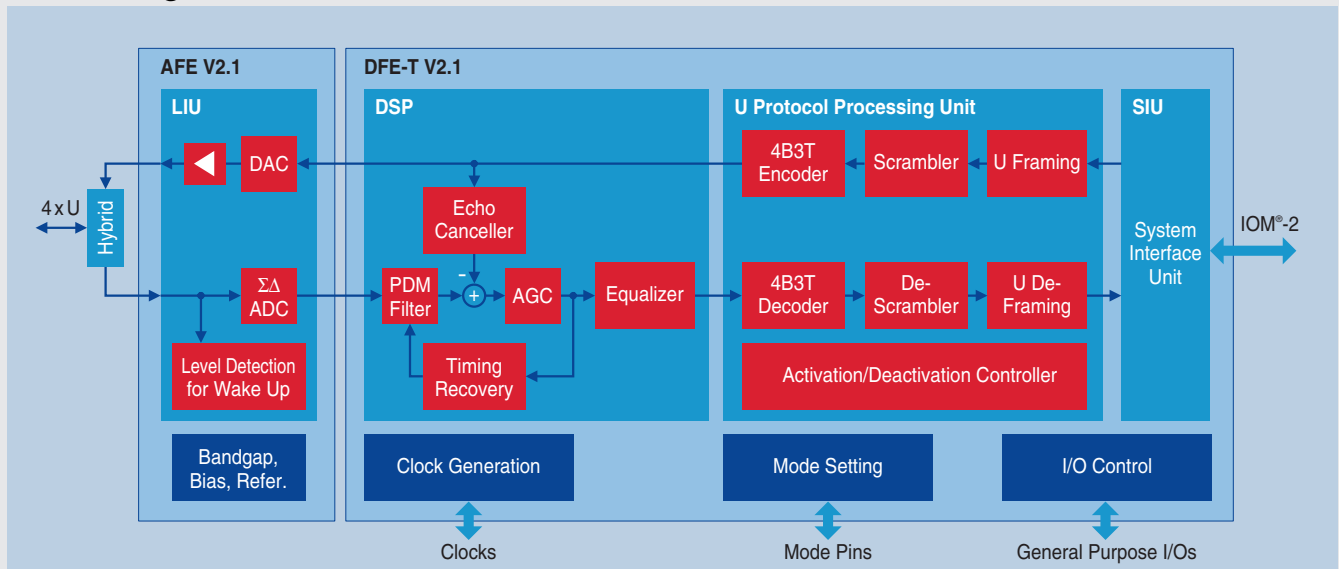
- Max. IOM[®]-2 data rate 4 Mbit/s (DCL = 8 MHz)
- +3.3 V instead of +5 V power supply
- Dedicated pins for SSP and DT test modes
- DOUT configurable either as open drain or push-pull (tristate) output
- New MON-12 class features internal register access
- Additional digital local loops
- Bit Error Rate Measurement per port
- Optimized LT-state machine
- Backward compatibility to V1.x:
 - no software changes required
 - pinning-compatible

I S D N

4-Channel Chipset



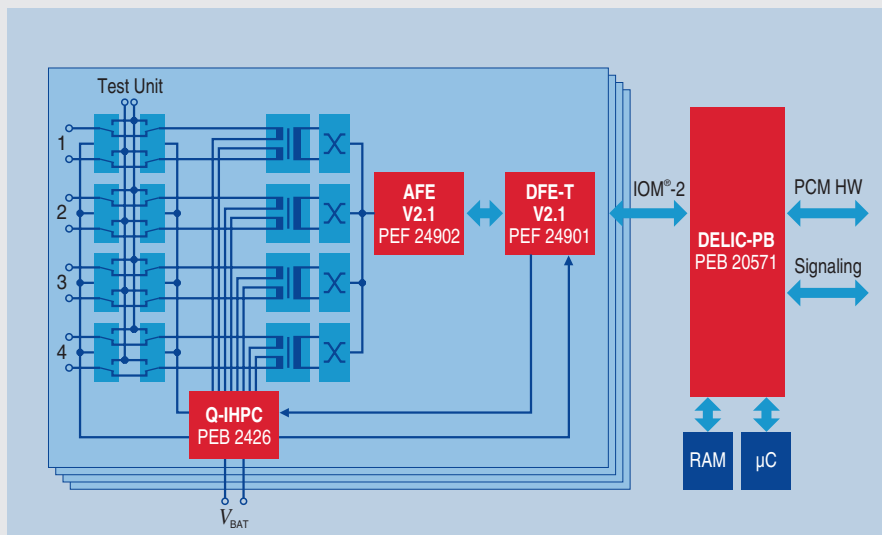
Block Diagram



Type	Package	Availability
PEF 24901 H V2.1	P-MQFP-64	Development
PEB/F 24902 H V2.1	P-MQFP-64	Available

Tools and Documentation

Name	Status
Preliminary Data Sheet PEF 24901 V2.1	06.99
Delta Sheet PEF 24901 V2.1	03.99
Product Overview	04.99
Smart 24901 V2.0	Development



Application Examples ISDN Linecard

How to reach us:
<http://www.infineon.com>

Published by
Infineon Technologies AG,
St.-Martin-Strasse 53,
81541 München

© Infineon Technologies AG 2001. All Rights Reserved.

Attention please!

The information herein is given to describe certain components and shall not be considered as warranted characteristics.

Terms of delivery and rights to technical change reserved.

We hereby disclaim any and all warranties, including but not limited to warranties of non-infringement, regarding circuits, descriptions and charts stated herein.

Infineon Technologies is an approved CECC manufacturer.

Information

For further information on technology, delivery terms and conditions and prices please contact your nearest Infineon Technologies Office in Germany or our Infineon Technologies Representatives worldwide.

Warnings

Due to technical requirements components may contain dangerous substances. For information on the types in question please contact your nearest Infineon Technologies Office.

Infineon Technologies Components may only be used in life-support devices or systems with the express written approval of Infineon Technologies, if a failure of such components can reasonably be expected to cause the failure of that life-support device or system, or to affect the safety or effectiveness of that device or system. Life support devices or systems are intended to be implanted in the human body, or to support and/or maintain and sustain and/or protect human life. If they fail, it is reasonable to assume that the health of the user or other persons may be endangered.