

National Semiconductor is now part of  
Texas Instruments.

Search <http://www.ti.com/> for the latest technical  
information and details on our current products and services.

# DS26LV32AT

## 3V Enhanced CMOS Quad Differential Line Receiver

### General Description

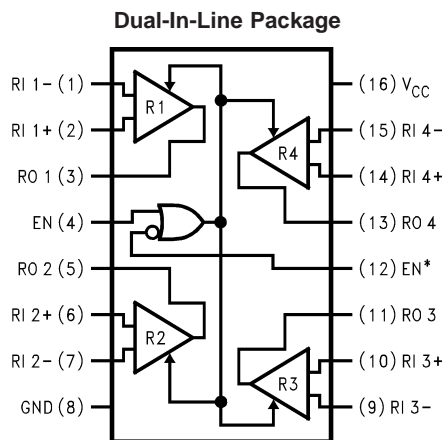
The DS26LV32A is a high speed quad differential CMOS receiver that meets the requirements of both TIA/EIA-422-B and ITU-T V.11. The CMOS DS26LV32AT features typical low static  $I_{CC}$  of 9 mA which makes it ideal for battery powered and power conscious applications. The TRI-STATE® enables, EN and EN\*, allow the device to be active High or active Low. The enables are common to all four receivers.

The receiver output (RO) is guaranteed to be High when the inputs are left open. The receiver can detect signals as low as  $\pm 200$  mV over the common mode range of  $\pm 10V$ . The receiver outputs (RO) are compatible with TTL and LVCMOS levels.

### Features

- Low Power CMOS design (30 mW typical)
- Interoperable with existing 5V RS-422 networks
- Industrial and Military Temperature Range
- Conforms to TIA/EIA-422-B (RS-422) and ITU-T V.11 Recommendation
- 3.3V Operation
- $\pm 7V$  Common Mode Range @  $V_{ID} = 3V$
- $\pm 10V$  Common Mode Range @  $V_{ID} = 0.2V$
- Receiver OPEN input failsafe feature
- Guaranteed AC Parameter:
  - Maximum Receiver Skew: 4 ns
  - Maximum Transition Time: 10 ns
- Pin compatible with DS26C32AT
- 32 MHz Toggle Frequency
- > 6.5k ESD Tolerance (HBM)
- Available in SOIC and Cerpack Packaging
- Standard Microcircuit Drawing (SMD) 5962-98585

### Connection Diagram



01290801

#### Top View

Order Number DS26LV32ATM or DS26LV32AW  
See NS Package Number M16A or W16A

### Truth Table

Enables		Inputs	Output
EN	EN*	RI+–RI–	RO
L	H	X	Z
All Other Combinations of Enable Inputs		$V_{ID} \geq +0.2V$	H
		$V_{ID} \leq -0.2V$	L
		Open†	H

† Open, not terminated

L = Logic Low

H = Logic High

X = Irrelevant

Z = TRI-STATE

**Absolute Maximum Ratings** (Note 1)

If Military/Aerospace specified devices are required, please contact the National Semiconductor Sales Office/Distributors for availability and specifications.

Supply Voltage ( $V_{CC}$ )	-0.5V to +7V
Enable Input Voltage (EN, EN*)	-0.5V to $V_{CC}$ +0.5V
Receiver Input Voltage ( $V_{ID}$ : RI+, RI-)	±14V
Receiver Input Voltage (VCM: RI+, RI-)	±14V
Receiver Output Voltage (RO)	-0.5V to $V_{CC}$ +0.5V
Receiver Output Current (RO)	±25 mA Maximum
Maximum Package Power Dissipation @ +25°C	
M Package	1190 mW
W Package	1087 mW
Derate M Package	9.8 mW/°C above +25°C

Derate W Package	7.3 mW/°C above +25°C
Storage Temperature Range	-65°C to +150°C
Lead Temperature Range Soldering (4 Sec.)	+260°C
ESD Ratings (HBM, 1.5 kΩ, 100 pF)	
Receiver Inputs and Enables	≥ 6.5 kV
Other Pins	≥ 2 kV

**Recommended Operating Conditions**

	Min	Typ	Max	Units
Supply Voltage ( $V_{CC}$ )	3.0	3.3	3.6	V
Operating Free Air Temperature Range ( $T_A$ )				
DS26LV32AT	-40	+25	+85	°C
DS26LV32AW	-55	+25	+125	°C

**Electrical Characteristics** (Notes 2, 3)

Over Supply Voltage and Operating Temperature ranges, unless otherwise specified.

Symbol	Parameter	Conditions	Pin	Min	Typ	Max	Units	
$V_{TH}$	Differential Input Threshold	$V_{OUT} = V_{OH}$ or $V_{OL}$	RI+, RI-	$V_{CM} = -7V$ to +7V, $T_A = -40^\circ C$ to +85°C	-200	±17.5	+200	mV
				$V_{CM} = -0.5V$ to +5.5V, $T_A = -55^\circ C$ to +125°C (Note 9)	-200		+200	mV
$V_{HY}$	Hysteresis	$V_{CM} = 1.5V$			35		mV	
$V_{IH}$	Minimum High Level Input Voltage		EN, EN*	2.0			V	
$V_{IL}$	Maximum Low Level Input Voltage					0.8	V	
$R_{IN}$	Input Resistance	$V_{IN} = -7V, +7V, T_A = -40^\circ C$ to +85°C (Other Input = GND)		5.0	8.5		kΩ	
		$V_{IN} = -0.5V, +5.5V, T_A = -55^\circ C$ to +125°C (Other Input = GND) (Note 9)		5.0			kΩ	
$I_{IN}$	Input Current (Other Input = 0V, Power On, or $V_{CC} = 0V$ )	$T_A = -40^\circ C$ to +85°C	RI+, RI-	$V_{IN} = +10V$	0	1.1	1.8	mA
				$V_{IN} = +3V$	0	0.27		mA
				$V_{IN} = 0.5V$		-0.02		mA
				$V_{IN} = -3V$	0	-0.43		mA
				$V_{IN} = -10V$	0	-1.26	-2.2	mA
				$V_{IN} = -0.5V$	0		-1.8	mA
$I_{EN}$	Input Current	$T_A = -55^\circ C$ to +125°C (Note 9)	EN, EN*	$V_{IN} = 5.5V$	0		1.8	mA
				$V_{IN} = 0V$ to $V_{CC}$			±1	µA

**Electrical Characteristics** (Notes 2, 3) (Continued)

Over Supply Voltage and Operating Temperature ranges, unless otherwise specified.

Symbol	Parameter	Conditions	Pin	Min	Typ	Max	Units
$V_{OH}$	High Level Output Voltage	$I_{OH} = -6 \text{ mA}$ , $V_{ID} = +1\text{V}$ $I_{OH} = -6 \text{ mA}$ , $V_{ID} = \text{OPEN}$	RO	2.4	3		V
$V_{OH}$	High Level Output Voltage	$I_{OH} = -100 \mu\text{A}$ , $V_{ID} = +1\text{V}$ $I_{OH} = -100 \mu\text{A}$ , $V_{ID} = \text{OPEN}$		$V_{CC} - 0.1$			V
$V_{OL}$	Low Level Output Voltage	$I_{OL} = +6 \text{ mA}$ , $V_{ID} = -1\text{V}$		0.13	0.5		V
$I_{OZ}$	Output TRI-STATE Leakage Current	$V_{OUT} = V_{CC}$ or GND $EN = V_{IL}$ , $EN^* = V_{IH}$				$\pm 50$	$\mu\text{A}$
$I_{SC}$	Output Short Circuit Current	$V_O = 0\text{V}$ , $V_{ID} \geq  200 \text{ mV} $ (Note 4)		-10	-35	-70	mA
$I_{CC}$	Power Supply Current	No Load, All RI+, R1- = OPEN, EN, EN* = $V_{CC}$ or GND	$V_{CC}$		9	15	mA
						20	mA
		$T_A = -40^\circ\text{C}$ to $+85^\circ\text{C}$					
		$T_A = -55^\circ\text{C}$ to $+125^\circ\text{C}$					

**Switching Characteristics - Industrial** (Notes 3, 7, 10, 11)Over Supply Voltage and  $-40^\circ\text{C}$  to  $+85^\circ\text{C}$  Operating Temperature range, unless otherwise specified.

Symbol	Parameter	Conditions	Min	Typ	Max	Units
$t_{PHL}$	Propagation Delay High to Low	$C_L = 15 \text{ pF}$ , $V_{CM} = 1.5\text{V}$ (Figures 1, 2)	6	17.5	35	ns
$t_{PLH}$	Propagation Delay Low to High		6	17.8	35	ns
$t_r$	Rise Time (20% to 80%)			4.1	10	ns
$t_f$	Fall Time (80% to 20%)			3.3	10	ns
$t_{PHZ}$	Disable Time	$C_L = 50 \text{ pF}$ , $V_{CM} = 1.5\text{V}$ (Figures 3, 4)			40	ns
$t_{PLZ}$	Disable Time				40	ns
$t_{PZH}$	Enable Time				40	ns
$t_{PZL}$	Enable Time				40	ns
$t_{SK1}$	Skew, $ t_{PHL} - t_{PLH} $ (Note 5)	$C_L = 15 \text{ pF}$ , $V_{CM} = 1.5\text{V}$		0.3	4	ns
$t_{SK2}$	Skew, Pin to Pin (Note 6)			0.6	4	ns
$t_{SK3}$	Skew, Part to Part (Note 7)			7	17	ns
$f_{MAX}$	Maximum Operating Frequency (Note 8)	$C_L = 15 \text{ pF}$ , $V_{CM} = 1.5\text{V}$	32			MHz

## Switching Characteristics - Military (Notes 10, 11)

Over Supply Voltage and -55°C to +125°C Operating Temperature range, unless otherwise specified.

Symbol	Parameter	Conditions	Min	Max	Units
$t_{PHL}$	Propagation Delay High to Low	$C_L = 50 \text{ pF}$ , $V_{CM} = 1.5V$ (Figures 1, 2)	6	45	ns
$t_{PLH}$	Propagation Delay Low to High		6	45	ns
$t_{PHZ}$	Disable Time	$C_L = 50 \text{ pF}$ , $V_{CM} = 1.5V$ (Figures 3, 4)		50	ns
$t_{PLZ}$	Disable Time			50	ns
$t_{PZH}$	Enable Time			50	ns
$t_{PZL}$	Enable Time			50	ns
$t_{SK1}$	Skew, $ t_{PHL} - t_{PLH} $ (Note 5)	$C_L = 50 \text{ pF}$ , $V_{CM} = 1.5V$		6	ns
$t_{SK2}$	Skew, Pin to Pin (Note 6)			6	ns

**Note 1:** "Absolute Maximum ratings" are those values beyond which the safety of the device cannot be guaranteed. They are not meant to imply that the devices should be operated at these limits. The table of "Electrical Characteristics" specifies conditions of device operation.

**Note 2:** Current into device pins is defined as positive. Current out of device pins is defined as negative. All voltages are referenced to ground except  $V_{ID}$ .

**Note 3:** All typicals are given for:  $V_{CC} = +3.3V$ ,  $T_A = +25^\circ C$ .

**Note 4:** Short one output at a time to ground. Do not exceed package.

**Note 5:**  $t_{SK1}$  is the  $|t_{PHL} - t_{PLH}|$  of a channel.

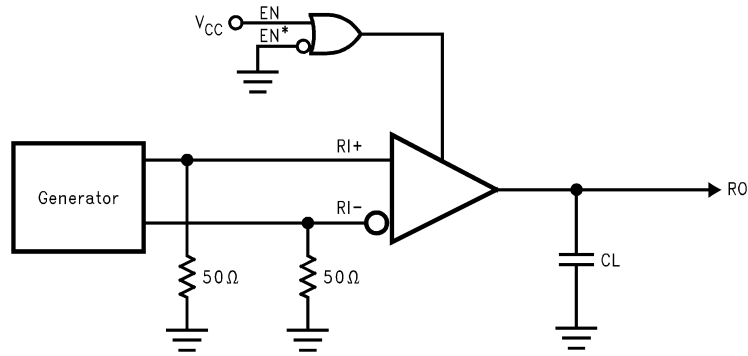
**Note 6:**  $t_{SK2}$  is the maximum skew between any two channels within a device, either edge.

**Note 7:**  $t_{SK3}$  is the difference in propagation delay times between any channels of any devices. This specification (maximum limit) applies to devices within  $V_{CC} \pm 0.1V$  of one another, and a  $\Delta T_A = \pm 5^\circ C$  (between devices) within the operating temperature range. This parameter is guaranteed by design and characterization.

**Note 8:** All channels switching, Output Duty Cycle criteria is 40%/60% measured at 50%. Input = 1V to 2V, 50% Duty Cycle,  $t_r/t_f \leq 5$  ns. This parameter is guaranteed by design and characterization.

**Note 9:** This parameter does not meet the TIA/EIA-422-B specification.

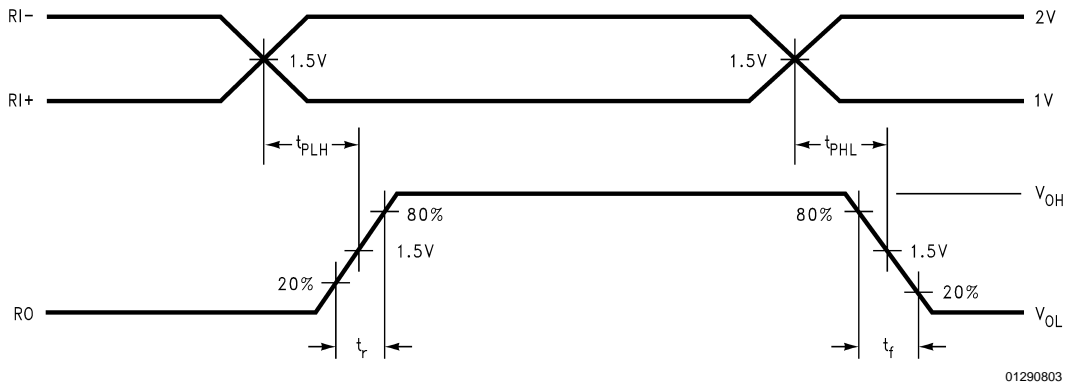
## Parameter Measurement Information



01290802

FIGURE 1. Receiver Propagation Delay and Transition Time Test Circuit (Notes 10, 11)

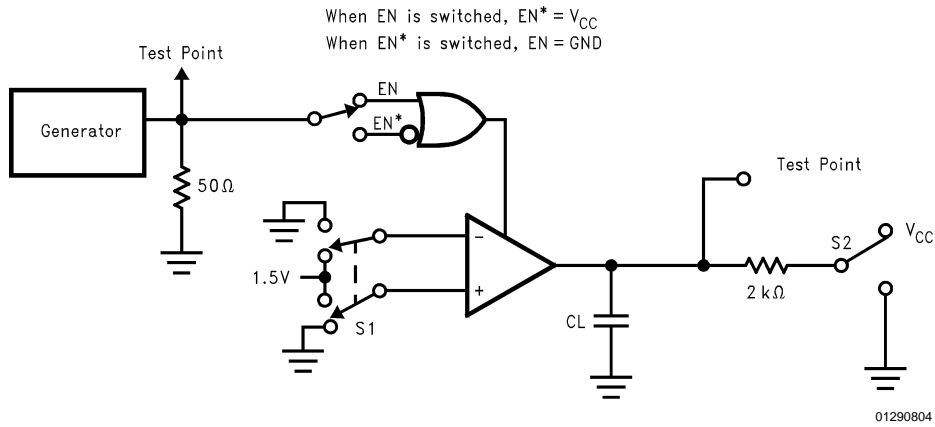
Parameter Measurement Information (Continued)



01290803

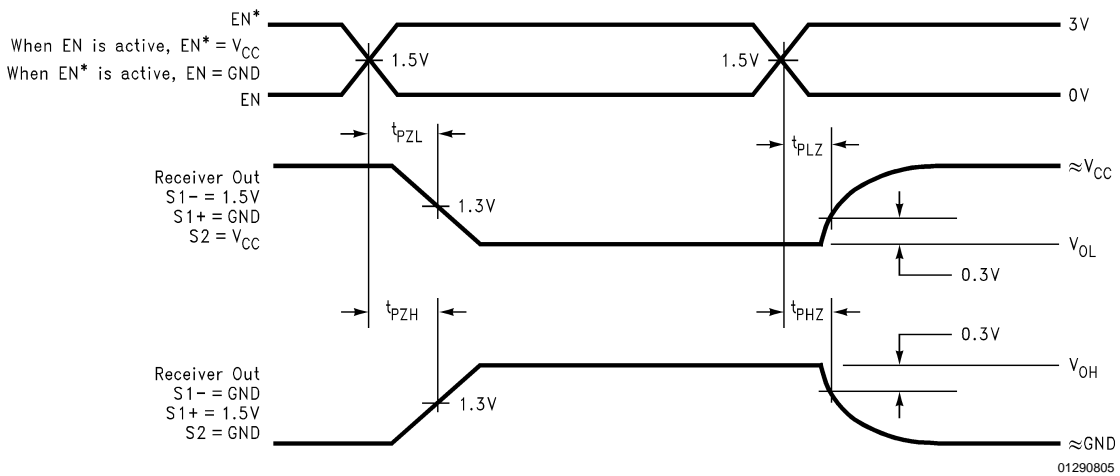
- Note 10:** Generator waveform for all tests unless otherwise specified:  $f = 1 \text{ MHz}$ , Duty Cycle = 50%,  $Z_O = 50\Omega$ ,  $t_r \leq 10 \text{ ns}$ ,  $t_f \leq 10 \text{ ns}$ .
- Note 11:**  $C_L$  includes probe and jig capacitance.
- Note 12:** For military grade product,  $t_r \leq 6 \text{ ns}$  and  $t_f \leq 6 \text{ ns}$ .
- Note 13:** For military grade product the measure point is  $1/2 V_{CC}$  for  $t_{PLH}$ ,  $t_{PHL}$ ,  $t_{PZL}$ , and  $t_{PHZ}$

FIGURE 2. Receiver Propagation Delay and Transition Time Waveform (Notes 10, 11, 12, 13)



01290804

FIGURE 3. Receiver TRI-STATE Test Circuit



01290805

FIGURE 4. Receiver TRI-STATE Output Enable and Disable Waveforms (Notes 10, 11, 12, 13)

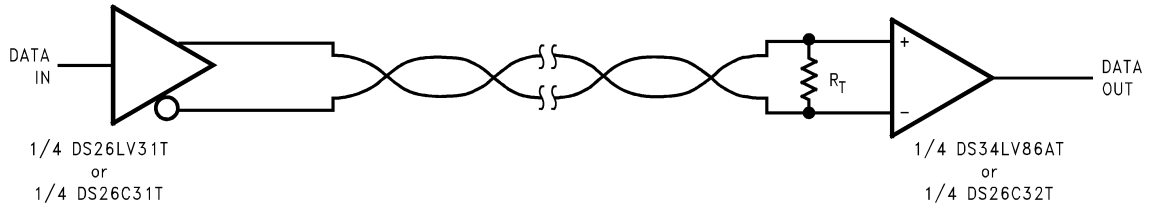
## Typical Application Information

General application guidelines and hints for differential drivers and receivers may be found in the following application notes:

AN-214, AN-457, AN-805, AN-847, AN-903, AN-912, AN-916

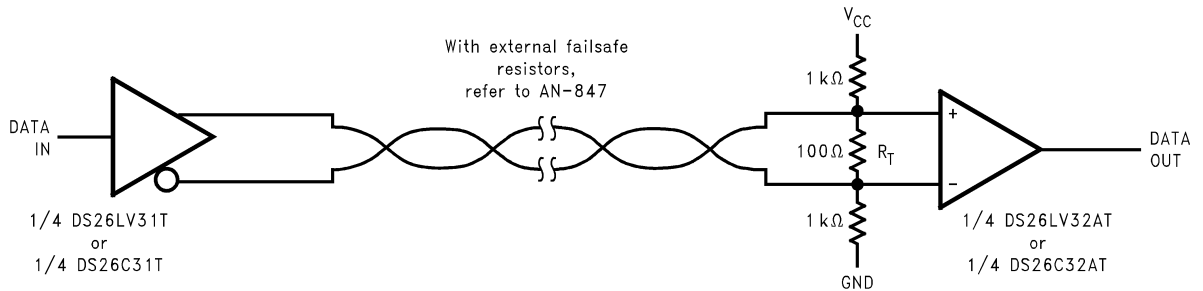
Power Decoupling Recommendations:

Bypass caps must be used on power pins. High frequency ceramic (surface mount is recommended) 0.1  $\mu\text{F}$  in parallel with 0.01  $\mu\text{F}$  at the power supply pin. A 10  $\mu\text{F}$  or greater solid tantalum or electrolytic should be connected at the power entry point on the printed circuit board.



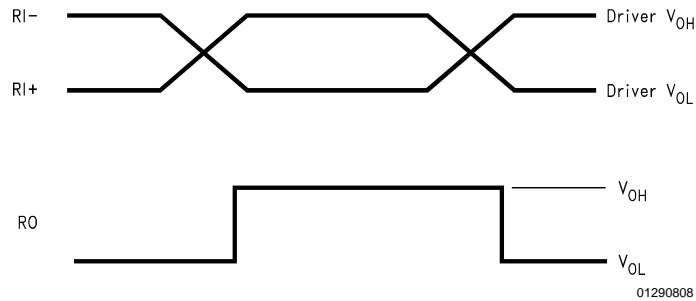
01290806

$R_T$  is optional although highly recommended to reduce reflection



01290807

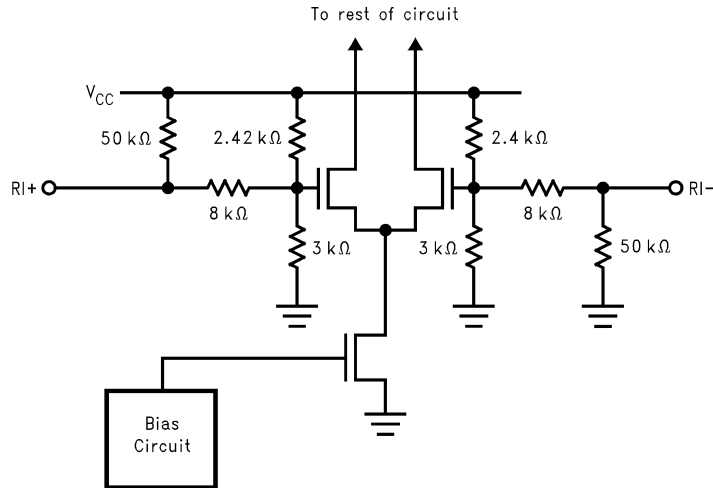
**FIGURE 5. Typical Receiver Connections**



01290808

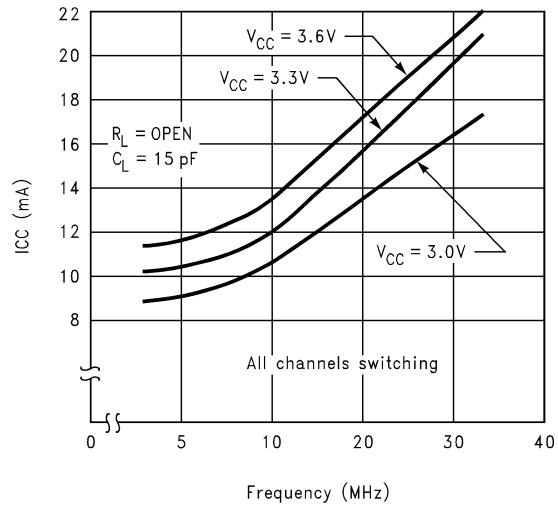
**FIGURE 6. Typical Receiver Output Waveforms**

Typical Application Information (Continued)



01290809

FIGURE 7. Typical Receiver Input Circuit

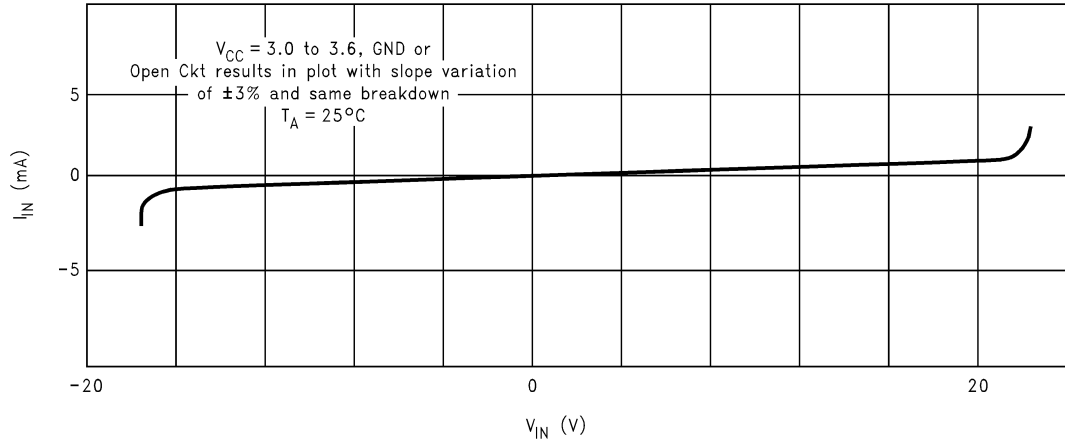


01290810

FIGURE 8. Typical I<sub>CC</sub> vs Frequency

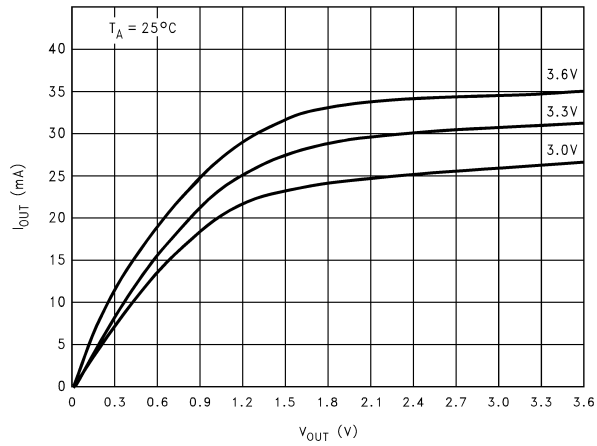


Typical Application Information (Continued)



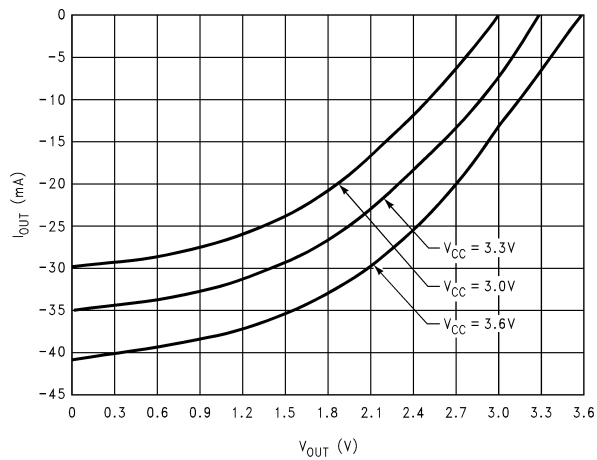
01290811

FIGURE 9. Receiver  $I_{IN}$  vs  $V_{IN}$  (Power On or Power Off)



01290812

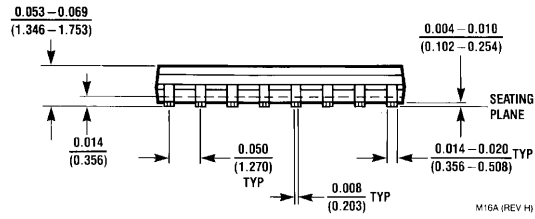
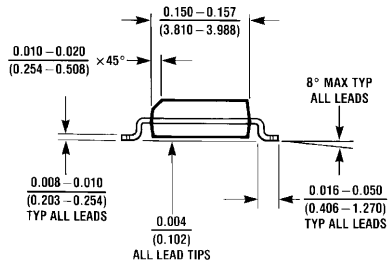
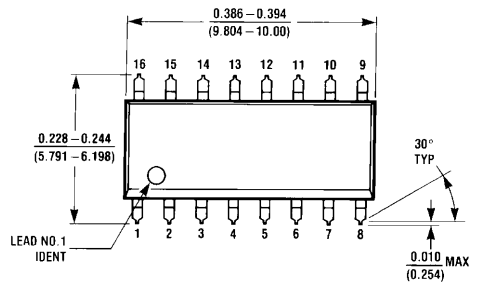
FIGURE 10.  $I_{OL}$  vs  $V_{OL}$



01290813

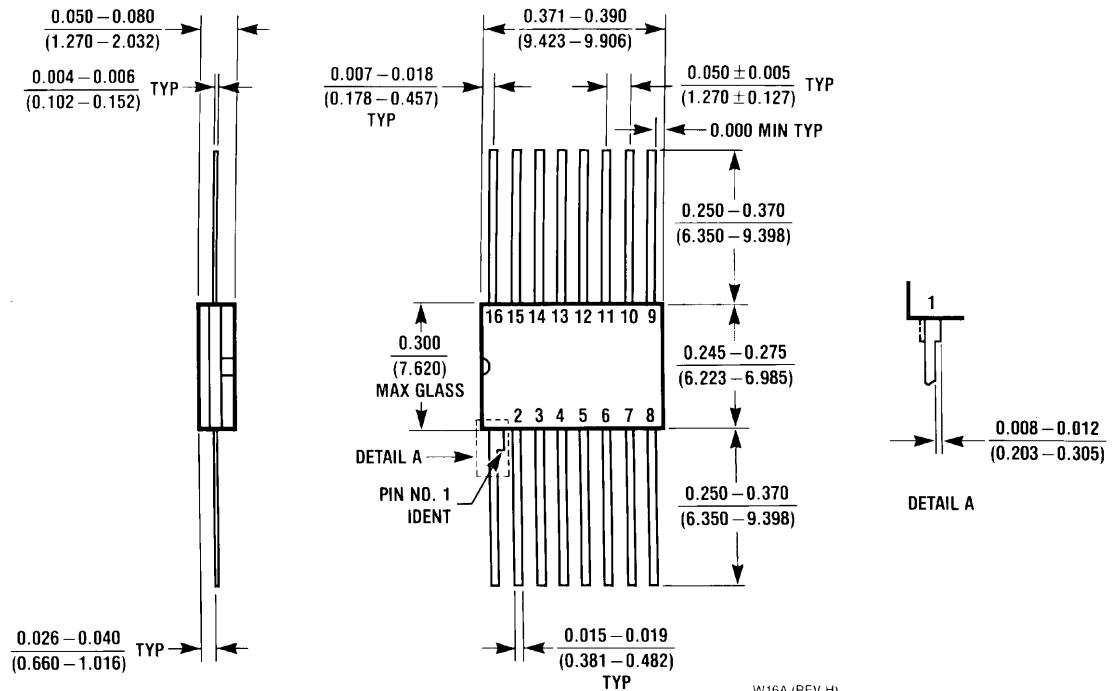
FIGURE 11.  $I_{OH}$  vs  $V_{OH}$

**Physical Dimensions** inches (millimeters) unless otherwise noted



**Order Number DS26LV32ATM**  
**NS Package Number M16A**

**Physical Dimensions** inches (millimeters) unless otherwise noted (Continued)



Order Number DS26LV32AW  
NS Package Number W16A

W16A (REV H)

**LIFE SUPPORT POLICY**

NATIONAL'S PRODUCTS ARE NOT AUTHORIZED FOR USE AS CRITICAL COMPONENTS IN LIFE SUPPORT DEVICES OR SYSTEMS WITHOUT THE EXPRESS WRITTEN APPROVAL OF THE PRESIDENT AND GENERAL COUNSEL OF NATIONAL SEMICONDUCTOR CORPORATION. As used herein:

1. Life support devices or systems are devices or systems which, (a) are intended for surgical implant into the body, or (b) support or sustain life, and whose failure to perform when properly used in accordance with instructions for use provided in the labeling, can be reasonably expected to result in a significant injury to the user.
2. A critical component is any component of a life support device or system whose failure to perform can be reasonably expected to cause the failure of the life support device or system, or to affect its safety or effectiveness.



**National Semiconductor Corporation**  
Americas  
Email: support@nsc.com

www.national.com

**National Semiconductor Europe**  
Fax: +49 (0) 180-530 85 86  
Email: europe.support@nsc.com  
Deutsch Tel: +49 (0) 69 9508 6208  
English Tel: +44 (0) 870 24 0 2171  
Français Tel: +33 (0) 1 41 91 8790

**National Semiconductor Asia Pacific Customer Response Group**  
Tel: 65-2544466  
Fax: 65-2504466  
Email: ap.support@nsc.com

**National Semiconductor Japan Ltd.**  
Tel: 81-3-5639-7560  
Fax: 81-3-5639-7507

See Microcontroller Products

[Products](#) > [Analog - Interface](#) > [Data Transmission Circuits](#) > [RS-422/423 Line Drivers and Receivers](#) > DS26LV32AT

# DS26LV32AT Product Folder

## 3V Enhanced CMOS Quad Differential Line Receiver

**See Also:** [DS90LV032A](#) - higher speed

<a href="#">General Description</a>	<a href="#">Features</a>	<a href="#">Datasheet</a>	<a href="#">Package &amp; Models</a>	<a href="#">Samples &amp; Pricing</a>
-------------------------------------	--------------------------	---------------------------	--------------------------------------	---------------------------------------

### Parametric Table

Number of Drivers	0
Number of Receivers	4

### Parametric Table

Supply Voltage	3.3 V
Process	CMOS

### Datasheet

Title	Size in Kbytes	Date	<a href="#">View Online</a>	<a href="#">Download</a>	<a href="#">Receive via Email</a>
DS26LV32AT 3V Enhanced CMOS Quad Differential Line Receiver	179 Kbytes	11-Mar-02	<a href="#">View Online</a>	<a href="#">Download</a>	<a href="#">Receive via Email</a>
DS26LV32AT 3V Enhanced CMOS Quad Differential Line Receiver ( <b>JAPANESE</b> )	286 Kbytes		<a href="#">View Online</a>	<a href="#">Download</a>	<a href="#">Receive via</a>

If you have trouble printing or viewing PDF file(s), see [Printing Problems](#).

### Package Availability, Models, Samples & Pricing

Part Number	Package			Status	Models		Samples & Electronic Orders	Budgetary Pricing		Std Pack Size	<a href="#">Package Marking</a>
	Type	Pins	MSL		SPICE	IBIS		Qty	\$US each		
DS26LV32ATM	<a href="#">SOIC NARROW</a>	16	<a href="#">MSL</a>	Full production	N/A	<a href="#">26lv32tm.ibs</a>	<a href="#">24 Hour Buy Now</a>	1K+	\$0.7300	rail of 48	[logo]cUcZc2cT DS26LV32A TM
DS26LV32ATMX	<a href="#">SOIC NARROW</a>	16	<a href="#">MSL</a>	Full production	N/A	N/A		1K+	\$0.7300	reel of 2500	[logo]cUcZc2cT DS26LV32A TM

DS26LV32 MDC	<a href="#">Die</a>	Full production	N/A	N/A	Samples			tray of N/A	-
DS26LV32 MWC	<a href="#">Wafer</a>	Full production	N/A	N/A				wafer jar of N/A	-

## General Description

The DS26LV32A is a high speed quad differential CMOS receiver that meets the requirements of both TIA/EIA-422-B and ITU-T V.11. The CMOS DS26LV32AT features typical low static  $I_{CC}$  of 9 mA which makes it ideal for battery powered and power conscious applications. The TRI-STATE® enables, EN and EN\*, allow the device to be active High or active Low. The enables are common to all four receivers.

The receiver output (RO) is guaranteed to be High when the inputs are left open. The receiver can detect signals as low as  $\pm 200$  mV over the common mode range of  $\pm 10V$ . The receiver outputs (RO) are compatible with TTL and LVCMOS levels.

## Features

- Low Power CMOS design (30 mW typical)
- Interoperable with existing 5V RS-422 networks
- Industrial and Military Temperature Range
- Conforms to TIA/EIA-422-B (RS-422) and ITU-T V.11 Recommendation
- 3.3V Operation
- $\pm 7V$  Common Mode Range @  $V_{ID} = 3V$
- $\pm 10V$  Common Mode Range @  $V_{ID} = 0.2V$
- Receiver OPEN input failsafe feature
- Guaranteed AC Parameter: Maximum Receiver Skew: 4 ns Maximum Transition Time: 10 ns
- Pin compatible with DS26C32AT
- 32 MHz Toggle Frequency
- > 6.5k ESD Tolerance (HBM)
- Available in SOIC and Cerpack Packaging
- Standard Microcircuit Drawing (SMD) 5962-98585

[Information as of 5-Aug-2002]

---

[Search](#)                      [Design](#)                      [Purchasing](#)                      [Quality](#)                      [Company](#)                      [Home](#)

---

[About Languages](#) . [Website Guide](#) . [About "Cookies"](#) . National is [QS 9000 Certified](#) . [Privacy/Security Statement](#) . [Contact Us](#) . [Site Terms & Conditions of Use](#) . Copyright 2002 © National Semiconductor Corporation . [My Preferences](#) . [Feedback](#)