

PCI7510

**PC Card, Smart Card and Integrated
1394a-2000 OHCI Two-Port PHY/Link-Layer
Controller**

Data Manual

IMPORTANT NOTICE

Texas Instruments Incorporated and its subsidiaries (TI) reserve the right to make corrections, modifications, enhancements, improvements, and other changes to its products and services at any time and to discontinue any product or service without notice. Customers should obtain the latest relevant information before placing orders and should verify that such information is current and complete. All products are sold subject to TI's terms and conditions of sale supplied at the time of order acknowledgment.

TI warrants performance of its hardware products to the specifications applicable at the time of sale in accordance with TI's standard warranty. Testing and other quality control techniques are used to the extent TI deems necessary to support this warranty. Except where mandated by government requirements, testing of all parameters of each product is not necessarily performed.

TI assumes no liability for applications assistance or customer product design. Customers are responsible for their products and applications using TI components. To minimize the risks associated with customer products and applications, customers should provide adequate design and operating safeguards.

TI does not warrant or represent that any license, either express or implied, is granted under any TI patent right, copyright, mask work right, or other TI intellectual property right relating to any combination, machine, or process in which TI products or services are used. Information published by TI regarding third-party products or services does not constitute a license from TI to use such products or services or a warranty or endorsement thereof. Use of such information may require a license from a third party under the patents or other intellectual property of the third party, or a license from TI under the patents or other intellectual property of TI.

Reproduction of information in TI data books or data sheets is permissible only if reproduction is without alteration and is accompanied by all associated warranties, conditions, limitations, and notices. Reproduction of this information with alteration is an unfair and deceptive business practice. TI is not responsible or liable for such altered documentation.

Resale of TI products or services with statements different from or beyond the parameters stated by TI for that product or service voids all express and any implied warranties for the associated TI product or service and is an unfair and deceptive business practice. TI is not responsible or liable for any such statements.

Following are URLs where you can obtain information on other Texas Instruments products and application solutions:

Products		Applications	
Amplifiers	amplifier.ti.com	Audio	www.ti.com/audio
Data Converters	dataconverter.ti.com	Automotive	www.ti.com/automotive
DSP	dsp.ti.com	Broadband	www.ti.com/broadband
Interface	interface.ti.com	Digital Control	www.ti.com/digitalcontrol
Logic	logic.ti.com	Military	www.ti.com/military
Power Mgmt	power.ti.com	Optical Networking	www.ti.com/opticalnetwork
Microcontrollers	microcontroller.ti.com	Security	www.ti.com/security
		Telephony	www.ti.com/telephony
		Video & Imaging	www.ti.com/video
		Wireless	www.ti.com/wireless

Mailing Address: Texas Instruments
Post Office Box 655303 Dallas, Texas 75265

Contents

<i>Section</i>	<i>Title</i>	<i>Page</i>
1	Introduction	1-1
1.1	Description	1-1
1.2	Features	1-2
1.3	Related Documents	1-3
1.4	Trademarks	1-4
1.5	Terms and Definitions	1-5
1.6	Ordering Information	1-5
2	Terminal Descriptions	2-1
3	Feature/Protocol Descriptions	3-1
3.1	Power Supply Sequencing	3-1
3.2	Smart Card Dedicated Socket	3-2
3.2.1	Smart Card Overview	3-2
3.2.2	Dedicated Socket (Function 1) Interface	3-2
3.3	I/O Characteristics	3-2
3.4	Clamping Voltages	3-3
3.5	Peripheral Component Interconnect (PCI) Interface	3-3
3.5.1	1394 PCI Bus Master	3-3
3.5.2	PCI Bus Lock ($\overline{\text{LOCK}}$)	3-3
3.5.3	Serial EEPROM I ² C Bus	3-4
3.5.4	Loading CardBus (Function 0) Subsystem Identification	3-5
3.5.4.1	Function 2 Subsystem Identification	3-5
3.5.4.2	Function 3 Subsystem Identification	3-5
3.6	PC Card Applications	3-6
3.6.1	PC Card Insertion/Removal and Recognition	3-6
3.6.2	Low Voltage CardBus Card Detection	3-6
3.6.3	Card Detection	3-6
3.6.4	Power Switch Interface	3-7
3.6.5	Zoomed Video Support	3-8
3.6.6	Standardized Zoomed-Video Register Model	3-10
3.6.7	Internal Ring Oscillator	3-10
3.6.8	Integrated Pullup Resistors for PC Card Interface	3-10
3.6.9	SPKROUT and CAUDPWM Usage	3-11
3.6.10	LED Socket Activity Indicators	3-11
3.6.11	CardBus Socket Registers	3-12
3.6.12	PCI Firmware Loading Function Programming Model	3-12
3.6.12.1	Data/Address Register	3-13
3.6.12.2	Firmware Loader Control Register	3-13

3.7	Serial EEPROM Interface	3-14
3.7.1	Serial-Bus Interface Implementation	3-14
3.7.2	Accessing Serial-Bus Devices Through Software	3-14
3.7.3	Serial-Bus Interface Protocol	3-14
3.7.4	Serial-Bus EEPROM Application	3-16
3.8	Programmable Interrupt Subsystem	3-19
3.8.1	PC Card Functional and Card Status Change Interrupts	3-19
3.8.2	Interrupt Masks and Flags	3-20
3.8.3	Using Parallel IRQ Interrupts	3-21
3.8.4	Using Parallel PCI Interrupts	3-21
3.8.5	Using Serialized IRQSER Interrupts	3-22
3.8.6	SMI Support in the PCI7510 Device	3-22
3.9	Power Management Overview	3-22
3.9.1	1394 Power Management (Function 2)	3-23
3.9.2	Integrated Low-Dropout Voltage Regulator (LDO-VR)	3-23
3.9.3	CardBus (Function 0) Clock Run Protocol	3-24
3.9.4	CardBus PC Card Power Management	3-24
3.9.5	16-Bit PC Card Power Management	3-24
3.9.6	Suspend Mode	3-24
3.9.7	Requirements for Suspend Mode	3-25
3.9.8	Ring Indicate	3-25
3.9.9	PCI Power Management for CardBus (Function 0)	3-26
3.9.9.1	Function 2 Power Management	3-27
3.9.9.2	Function 3 Power Management	3-27
3.9.10	CardBus Bridge Power Management	3-27
3.9.11	ACPI Support	3-28
3.9.12	Master List of $\overline{\text{PME}}$ Context Bits and Global Reset-Only Bits	3-28
3.10	IEEE 1394 Application Information	3-30
3.10.1	PHY Port Cable Connection	3-30
3.10.2	Crystal Selection	3-31
3.10.3	Bus Reset	3-32
4	PC Card Controller Programming Model	4-1
4.1	PCI Configuration Registers (Functions 0 and 1)	4-1
4.2	Vendor ID Register	4-2
4.3	Device ID Register Function 0	4-3
4.4	Device ID Register Function 1	4-3
4.5	Command Register	4-4
4.6	Status Register	4-5
4.7	Revision ID Register	4-6
4.8	Class Code Register	4-6
4.9	Cache Line Size Register	4-6
4.10	Latency Timer Register	4-7
4.11	Header Type Register	4-7

4.12	BIST Register	4-7
4.13	CardBus Socket Registers/ExCA Base Address Register	4-8
4.14	Capability Pointer Register	4-8
4.15	Secondary Status Register	4-9
4.16	PCI Bus Number Register	4-10
4.17	CardBus Bus Number Register	4-10
4.18	Subordinate Bus Number Register	4-10
4.19	CardBus Latency Timer Register	4-11
4.20	CardBus Memory Base Registers 0, 1	4-11
4.21	CardBus Memory Limit Registers 0, 1	4-12
4.22	CardBus I/O Base Registers 0, 1	4-12
4.23	CardBus I/O Limit Registers 0, 1	4-13
4.24	Interrupt Line Register	4-13
4.25	Interrupt Pin Register	4-14
4.26	Bridge Control Register	4-15
4.27	Subsystem Vendor ID Register	4-16
4.28	Subsystem ID Register	4-16
4.29	PC Card 16-Bit I/F Legacy-Mode Base-Address Register	4-17
4.30	System Control Register	4-18
4.31	General Control Register	4-21
4.32	General-Purpose Event Status Register	4-22
4.33	General-Purpose Event Enable Register	4-23
4.34	General-Purpose Input Register	4-23
4.35	General-Purpose Output Register	4-24
4.36	Multifunction Routing Status Register	4-25
4.37	Retry Status Register	4-26
4.38	Card Control Register	4-27
4.39	Device Control Register	4-28
4.40	Diagnostic Register	4-29
4.41	Capability ID Register	4-30
4.42	Next Item Pointer Register	4-30
4.43	Power Management Capabilities Register	4-31
4.44	Power Management Control/Status Register	4-32
4.45	Power Management Control/Status Bridge Support Extensions Register	4-33
4.46	Power-Management Data Register	4-33
4.47	Serial Bus Data Register	4-34
4.48	Serial Bus Index Register	4-34
4.49	Serial Bus Slave Address Register	4-35
4.50	Serial Bus Control/Status Register	4-36
5	ExCA Compatibility Registers (Functions 0 and 1)	5-1
5.1	ExCA Identification and Revision Register	5-5
5.2	ExCA Interface Status Register	5-6
5.3	ExCA Power Control Register	5-7

5.4	ExCA Interrupt and General Control Register	5-8
5.5	ExCA Card Status-Change Register	5-9
5.6	ExCA Card Status-Change Interrupt Configuration Register	5-10
5.7	ExCA Address Window Enable Register	5-11
5.8	ExCA I/O Window Control Register	5-12
5.9	ExCA I/O Windows 0 and 1 Start-Address Low-Byte Registers	5-13
5.10	ExCA I/O Windows 0 and 1 Start-Address High-Byte Registers	5-13
5.11	ExCA I/O Windows 0 and 1 End-Address Low-Byte Registers	5-14
5.12	ExCA I/O Windows 0 and 1 End-Address High-Byte Registers	5-14
5.13	ExCA Memory Windows 0-4 Start-Address Low-Byte Registers ...	5-15
5.14	ExCA Memory Windows 0-4 Start-Address High-Byte Registers ...	5-16
5.15	ExCA Memory Windows 0-4 End-Address Low-Byte Registers	5-17
5.16	ExCA Memory Windows 0-4 End-Address High-Byte Registers ...	5-18
5.17	ExCA Memory Windows 0-4 Offset-Address Low-Byte Registers ..	5-19
5.18	ExCA Memory Windows 0-4 Offset-Address High-Byte Registers .	5-20
5.19	ExCA Card Detect and General Control Register	5-21
5.20	ExCA Global Control Register	5-22
5.21	ExCA I/O Windows 0 and 1 Offset-Address Low-Byte Registers ...	5-23
5.22	ExCA I/O Windows 0 and 1 Offset-Address High-Byte Registers ...	5-23
5.23	ExCA Memory Windows 0-4 Page Registers	5-24
6	CardBus Socket Registers (Functions 0 and 1)	6-1
6.1	Socket Event Register	6-2
6.2	Socket Mask Register	6-3
6.3	Socket Present State Register	6-4
6.4	Socket Force Event Register	6-5
6.5	Socket Control Register	6-7
6.6	Socket Power Management Register	6-8
7	OHCI Controller Programming Model	7-1
7.1	Vendor ID Register	7-2
7.2	Device ID Register	7-2
7.3	Command Register	7-3
7.4	Status Register	7-4
7.5	Class Code and Revision ID Register	7-5
7.6	Latency Timer and Class Cache Line Size Register	7-5
7.7	Header Type and BIST Register	7-6
7.8	OHCI Base Address Register	7-6
7.9	TI Extension Base Address Register	7-7
7.10	CardBus CIS Base Address Register	7-8
7.11	CardBus CIS Pointer Register	7-8
7.12	Subsystem Identification Register	7-9
7.13	Power Management Capabilities Pointer Register	7-9
7.14	Interrupt Line Register	7-10
7.15	Interrupt Pin Register	7-10
7.16	Minimum Grant and Maximum Latency Register	7-11

7.17	OHCI Control Register	7-11
7.18	Capability ID and Next Item Pointer Registers	7-12
7.19	Power Management Capabilities Register	7-13
7.20	Power Management Control and Status Register	7-14
7.21	Power Management Extension Registers	7-14
7.22	PCI PHY Control Register	7-15
7.23	PCI Miscellaneous Configuration Register	7-15
7.24	Link Enhancement Control Register	7-17
7.25	Subsystem Access Register	7-18
8	OHCI Registers	8-1
8.1	OHCI Version Register	8-4
8.2	GUID ROM Register	8-5
8.3	Asynchronous Transmit Retries Register	8-6
8.4	CSR Data Register	8-6
8.5	CSR Compare Register	8-7
8.6	CSR Control Register	8-7
8.7	Configuration ROM Header Register	8-8
8.8	Bus Identification Register	8-8
8.9	Bus Options Register	8-9
8.10	GUID High Register	8-10
8.11	GUID Low Register	8-10
8.12	Configuration ROM Mapping Register	8-11
8.13	Posted Write Address Low Register	8-11
8.14	Posted Write Address High Register	8-12
8.15	Vendor ID Register	8-12
8.16	Host Controller Control Register	8-13
8.17	Self-ID Buffer Pointer Register	8-14
8.18	Self-ID Count Register	8-15
8.19	Isochronous Receive Channel Mask High Register	8-16
8.20	Isochronous Receive Channel Mask Low Register	8-17
8.21	Interrupt Event Register	8-18
8.22	Interrupt Mask Register	8-20
8.23	Isochronous Transmit Interrupt Event Register	8-22
8.24	Isochronous Transmit Interrupt Mask Register	8-23
8.25	Isochronous Receive Interrupt Event Register	8-24
8.26	Isochronous Receive Interrupt Mask Register	8-25
8.27	Initial Bandwidth Available Register	8-25
8.28	Initial Channels Available High Register	8-26
8.29	Initial Channels Available Low Register	8-26
8.30	Fairness Control Register	8-27
8.31	Link Control Register	8-28
8.32	Node Identification Register	8-29
8.33	PHY Layer Control Register	8-30
8.34	Isochronous Cycle Timer Register	8-31

8.35	Asynchronous Request Filter High Register	8–32
8.36	Asynchronous Request Filter Low Register	8–34
8.37	Physical Request Filter High Register	8–35
8.38	Physical Request Filter Low Register	8–37
8.39	Physical Upper Bound Register (Optional Register)	8–37
8.40	Asynchronous Context Control Register	8–38
8.41	Asynchronous Context Command Pointer Register	8–39
8.42	Isochronous Transmit Context Control Register	8–40
8.43	Isochronous Transmit Context Command Pointer Register	8–41
8.44	Isochronous Receive Context Control Register	8–41
8.45	Isochronous Receive Context Command Pointer Register	8–43
8.46	Isochronous Receive Context Match Register	8–44
9	TI Extension Registers	9–1
9.1	DV and MPEG2 Timestamp Enhancements	9–1
9.2	Isochronous Receive Digital Video Enhancements	9–2
9.3	Isochronous Receive Digital Video Enhancements Register	9–2
9.4	Link Enhancement Register	9–4
9.5	Timestamp Offset Register	9–5
10	PHY Register Configuration	10–1
10.1	Base Registers	10–1
10.2	Port Status Register	10–4
10.3	Vendor Identification Register	10–5
10.4	Vendor-Dependent Register	10–6
10.5	Power-Class Programming	10–7
11	PCI Firmware Loading Function Programming Model (Function 3)	11–1
11.1	Vendor ID Register	11–1
11.2	Device ID Register	11–2
11.3	Command Register	11–2
11.4	Status Register	11–3
11.5	Class Code and Revision ID Register	11–4
11.6	Cache Line Size Register	11–4
11.7	Latency Timer Register	11–4
11.8	Header Type Register	11–5
11.9	BIST Register	11–5
11.10	Base Address Register	11–5
11.11	Subsystem Vendor ID Register	11–6
11.12	Subsystem ID Register	11–6
11.13	Capabilities Pointer Register	11–6
11.14	Interrupt Line Register	11–7
11.15	Interrupt Pin Register	11–7
11.16	Minimum Grant Register	11–7
11.17	Maximum Latency Register	11–7
11.18	Capability ID Register	11–8
11.19	Next-Item Pointer Register	11–8

11.20	Power-Management Capabilities Register	11-9
11.21	Power-Management Control/Status Register	11-10
11.22	Power-Management Bridge Support Extension Register	11-10
11.23	Power-Management Data Register	11-11
11.24	Miscellaneous Control Register	11-11
11.25	Subsystem Access Register	11-12
12	Electrical Characteristics	12-1
12.1	Absolute Maximum Ratings Over Operating Temperature Ranges .	12-1
12.2	Recommended Operating Conditions	12-1
12.3	Electrical Characteristics Over Recommended Operating Conditions	12-3
12.4	Electrical Characteristics Over Recommended Ranges of Operating Conditions	12-3
12.4.1	Device	12-3
12.4.2	Driver	12-4
12.4.3	Receiver	12-4
12.5	PCI Clock/Reset Timing Requirements Over Recommended Ranges of Supply Voltage and Operating Free-Air Temperature ...	12-4
12.6	Switching Characteristics for PHY Port Interface	12-5
12.7	Operating, Timing, and Switching Characteristics of XI	12-5
12.8	PCI Timing Requirements Over Recommended Ranges of Supply Voltage and Operating Free-Air Temperature	12-5
13	Mechanical Information	13-1

List of Illustrations

<i>Figure</i>	<i>Title</i>	<i>Page</i>
2-1	PCI7510 GHK-Package Terminal Diagram	2-1
2-2	PCI7510 PDV-Package Terminal Diagram	2-2
3-1	PCI7510 System Block Diagram	3-1
3-2	3-State Bidirectional Buffer	3-2
3-3	Serial ROM Application	3-5
3-4	Zoomed Video Implementation Using the PCI7510 Device	3-9
3-5	Zoomed Video Switching Application	3-9
3-6	SPKROUT Connection to Speaker Driver	3-11
3-7	Two Sample LED Circuits	3-12
3-8	Serial-Bus Start/Stop Conditions and Bit Transfers	3-15
3-9	Serial-Bus Protocol Acknowledge	3-15
3-10	Serial-Bus Protocol—Byte Write	3-16
3-11	Serial-Bus Protocol—Byte Read	3-16
3-12	EEPROM Interface Doubleword Data Collection	3-16
3-13	IRQ Implementation	3-21
3-14	System Diagram Implementing CardBus Device Class Power Management	3-23
3-15	Signal Diagram of Suspend Function	3-25
3-16	$\overline{RI_OUT}$ Functional Diagram	3-26
3-17	Block Diagram of a Status/Enable Cell	3-28
3-18	TP Cable Connections	3-30
3-19	Typical Compliant DC Isolated Outer Shield Termination	3-31
3-20	Non-DC Isolated Outer Shield Termination	3-31
3-21	Load Capacitance for the PCI7510 PHY	3-32
3-22	Recommended Crystal and Capacitor Layout	3-32
5-1	ExCA Register Access Through I/O	5-2
5-2	ExCA Register Access Through Memory	5-2
6-1	Accessing CardBus Socket Registers Through PCI Memory	6-1
12-1	Test Load Diagram	12-4

List of Tables

<i>Table</i>	<i>Title</i>	<i>Page</i>
1–1	Terms and Definitions	1–5
2–1	Signal Names by PDV Terminal Number	2–3
2–2	Signal Names by GHK Terminal Number	2–5
2–3	CardBus PC Card Signal Names Sorted Alphabetically	2–7
2–4	16-Bit PC Card Signal Names Sorted Alphabetically	2–9
2–5	Power Supply Terminals	2–11
2–6	PC Card Power Switch Terminals	2–11
2–7	PCI System Terminals	2–11
2–8	PCI Address and Data Terminals	2–12
2–9	PCI Interface Control Terminals	2–13
2–10	Multifunction and Miscellaneous Terminals	2–14
2–11	16-Bit PC Card Address and Data Terminals	2–15
2–12	16-Bit PC Card Interface Control Terminals	2–16
2–13	CardBus PC Card Interface System Terminals	2–17
2–14	CardBus PC Card Address and Data Terminals	2–18
2–15	CardBus PC Card Interface Control Terminals	2–19
2–16	IEEE 1394 Physical Layer Terminals	2–20
2–17	Power Supply Terminals	2–20
2–18	Smart Card Dedicated Socket Terminals	2–21
3–1	PCI Bus Master Command Support	3–3
3–2	PC Card—Card Detect and Voltage Sense Connections	3–7
3–3	TPS2221 Control Logic	3–8
3–4	TPS2211A Control Logic	3–8
3–5	Functionality of the ZV Output Signals	3–10
3–6	Terminals With Integrated Pullup Resistors	3–11
3–7	CardBus Socket Registers	3–12
3–8	Firmware Loader I/O Register Map	3–13
3–9	Firmware Loader Control Register Description	3–14
3–10	PCI7510 Registers Used to Program Serial-Bus Devices	3–14
3–11	EEPROM Loading Map	3–17
3–12	Interrupt Mask and Flag Registers	3–19
3–13	PC Card Interrupt Events and Description	3–20
3–14	Interrupt Pin Register Cross Reference	3–22
3–15	SMI Control	3–22
3–16	Requirements for Internal/External 1.8-V Core Power Supply	3–23
3–17	Power-Management Registers	3–27
3–18	Function 2 Power-Management Registers	3–27

3-19	Function 3 Power-Management Registers	3-27
4-1	Bit Field Access Tag Descriptions	4-1
4-2	Functions 0 and 1 PCI Configuration Register Map	4-1
4-3	Command Register Description	4-4
4-4	Status Register Description	4-5
4-5	Secondary Status Register Description	4-9
4-6	Interrupt Pin Register Cross Reference	4-14
4-7	Bridge Control Register Description	4-15
4-8	System Control Register Description	4-18
4-9	General Control Register Description	4-21
4-10	General-Purpose Event Status Register Description	4-22
4-11	General-Purpose Event Enable Register Description	4-23
4-12	General-Purpose Input Register Description	4-23
4-13	General-Purpose Output Register Description	4-24
4-14	Multifunction Routing Status Register Description	4-25
4-15	Retry Status Register Description	4-26
4-16	Card Control Register Description	4-27
4-17	Device Control Register Description	4-28
4-18	Diagnostic Register Description	4-29
4-19	Power Management Capabilities Register Description	4-31
4-20	Power Management Control/Status Register Description	4-32
4-21	Power Management Control/Status Bridge Support Extensions Register Description	4-33
4-22	Serial Bus Data Register Description	4-34
4-23	Serial Bus Index Register Description	4-34
4-24	Serial Bus Slave Address Register Description	4-35
4-25	Serial Bus Control/Status Register Description	4-36
5-1	ExCA Registers and Offsets	5-3
5-2	ExCA Identification and Revision Register Description	5-5
5-3	ExCA Interface Status Register Description	5-6
5-4	ExCA Power Control Register Description—82365SL Support	5-7
5-5	ExCA Power Control Register Description—82365SL-DF Support	5-7
5-6	ExCA Interrupt and General Control Register Description	5-8
5-7	ExCA Card Status-Change Register Description	5-9
5-8	ExCA Card Status-Change Interrupt Configuration Register Description	5-10
5-9	ExCA Address Window Enable Register Description	5-11
5-10	ExCA I/O Window Control Register Description	5-12
5-11	ExCA Memory Windows 0-4 Start-Address High-Byte Registers Description	5-16
5-12	ExCA Memory Windows 0-4 End-Address High-Byte Registers Description	5-18
5-13	ExCA Memory Windows 0-4 Offset-Address High-Byte Registers Description	5-20
5-14	ExCA Card Detect and General Control Register Description	5-21

5-15	ExCA Global Control Register Description	5-22
6-1	CardBus Socket Registers	6-1
6-2	Socket Event Register Description	6-2
6-3	Socket Mask Register Description	6-3
6-4	Socket Present State Register Description	6-4
6-5	Socket Force Event Register Description	6-6
6-6	Socket Control Register Description	6-7
6-7	Socket Power Management Register Description	6-8
7-1	Function 2 Configuration Register Map	7-1
7-2	Command Register Description	7-3
7-3	Status Register Description	7-4
7-4	Class Code and Revision ID Register Description	7-5
7-5	Latency Timer and Class Cache Line Size Register Description	7-5
7-6	Header Type and BIST Register Description	7-6
7-7	OHCI Base Address Register Description	7-6
7-8	TI Base Address Register Description	7-7
7-9	CardBus CIS Base Address Register Description	7-8
7-10	Subsystem Identification Register Description	7-9
7-11	Interrupt Line Register Description	7-10
7-12	PCI Interrupt Pin Register—Read-Only INTPIN Per Function	7-10
7-13	Minimum Grant and Maximum Latency Register Description	7-11
7-14	OHCI Control Register Description	7-11
7-15	Capability ID and Next Item Pointer Registers Description	7-12
7-16	Power Management Capabilities Register Description	7-13
7-17	Power Management Control and Status Register Description	7-14
7-18	Power Management Extension Registers Description	7-14
7-19	PCI PHY Control Register	7-15
7-20	PCI Miscellaneous Configuration Register	7-16
7-21	Link Enhancement Control Register Description	7-17
7-22	Subsystem Access Register Description	7-18
8-1	OHCI Register Map	8-1
8-2	OHCI Version Register Description	8-4
8-3	GUID ROM Register Description	8-5
8-4	Asynchronous Transmit Retries Register Description	8-6
8-5	CSR Control Register Description	8-7
8-6	Configuration ROM Header Register Description	8-8
8-7	Bus Options Register Description	8-9
8-8	Configuration ROM Mapping Register Description	8-11
8-9	Posted Write Address Low Register Description	8-11
8-10	Posted Write Address High Register Description	8-12
8-11	Host Controller Control Register Description	8-13
8-12	Self-ID Count Register Description	8-15
8-13	Isochronous Receive Channel Mask High Register Description	8-16
8-14	Isochronous Receive Channel Mask Low Register Description	8-17

8-15	Interrupt Event Register Description	8-18
8-16	Interrupt Mask Register Description	8-20
8-17	Isochronous Transmit Interrupt Event Register Description	8-22
8-18	Isochronous Receive Interrupt Event Register Description	8-24
8-19	Initial Bandwidth Available Register Description	8-25
8-20	Initial Channels Available High Register Description	8-26
8-21	Initial Channels Available Low Register Description	8-26
8-22	Fairness Control Register Description	8-27
8-23	Link Control Register Description	8-28
8-24	Node Identification Register Description	8-29
8-25	PHY Control Register Description	8-30
8-26	Isochronous Cycle Timer Register Description	8-31
8-27	Asynchronous Request Filter High Register Description	8-32
8-28	Asynchronous Request Filter Low Register Description	8-34
8-29	Physical Request Filter High Register Description	8-35
8-30	Physical Request Filter Low Register Description	8-37
8-31	Asynchronous Context Control Register Description	8-38
8-32	Asynchronous Context Command Pointer Register Description	8-39
8-33	Isochronous Transmit Context Control Register Description	8-40
8-34	Isochronous Receive Context Control Register Description	8-41
8-35	Isochronous Receive Context Match Register Description	8-44
9-1	TI Extension Register Map	9-1
9-2	Isochronous Receive Digital Video Enhancements Register Description	9-2
9-3	Link Enhancement Register Description	9-4
9-4	Timestamp Offset Register Description	9-5
10-1	Base Register Configuration	10-1
10-2	Base Register Field Descriptions	10-2
10-3	Page 0 (Port Status) Register Configuration	10-4
10-4	Page 0 (Port Status) Register Field Descriptions	10-4
10-5	Page 1 (Vendor ID) Register Configuration	10-5
10-6	Page 1 (Vendor ID) Register Field Descriptions	10-5
10-7	Page 7 (Vendor-Dependent) Register Configuration	10-6
10-8	Page 7 (Vendor-Dependent) Register Field Descriptions	10-6
10-9	Power Class Descriptions	10-7
11-1	Function 3 Configuration Register Map	11-1
11-2	Command Register Description	11-2
11-3	Status Register Description	11-3
11-4	Class Code and Revision ID Register Description	11-4
11-5	Base Address Register Description	11-5
11-6	Power-Management Capabilities Register Description	11-9
11-7	Power-Management Control/Status Register Description	11-10
11-8	Miscellaneous Control Register Description	11-11
11-9	Subsystem Access Register Description	11-12

1 Introduction

The Texas Instruments PCI7510 device is an integrated single-socket PC Card controller with an IEEE 1394 open host controller link-layer controller (LLC) and two-port 1394 PHY. The PCI7510 device also includes a dedicated interface that can be used as a Smart Card socket. This high performance integrated solution provides the latest in PC Card, IEEE 1394, and Smart Card technology.

1.1 Description

The PCI7510 CardBus controller is a four-function, 33-MHz PCI device compliant with the *PCI Local Bus Specification*. Function 0 provides a PC Card socket controller compliant with the latest PC Card Standards. Function 1 provides a dedicated socket for Smart Card. Function 2 of the PCI7510 device is an integrated IEEE 1394 OHCI host controller and two-port PHY. Function 3 is the interface to load the PCI7510 program RAM with firmware. The PCI7510 device provides features that make it the best choice for bridging between the PCI bus and PC Cards, and supports any combination of 16-bit and CardBus cards powered at 5 V or 3.3 V as required.

There is no PCMCIA card and socket service software changes required to move systems from the existing CardBus socket controller to the PCI7510 device. The PCI7510 device is register compatible with the Intel 82365SL–DF ExCA controller and implements the host interface defined in the PC Card Standard. The PCI7510 internal data path logic allows the host to access 8-, 16-, and 32-bit cards using full 32-bit PCI cycles for maximum performance. Independent buffering and the pipeline architecture provide an unsurpassed performance level with sustained bursting. The PCI7510 device can be programmed to accept posted writes to improve bus utilization. All card signals are internally buffered to allow hot insertion and removal without external buffering.

Function 1 of the PCI7510 device provides a dedicated interface for a Smart Card socket. The PCI7510 device supports asynchronous Smart Cards with contacts.

Function 2 of the PCI7510 device is an integrated 1394a-2000 OHCI PHY/link-layer controller (LLC) device that is fully compliant with the *PCI Local Bus Specification*, the *PCI Bus Power Management Interface Specification*, IEEE Std 1394-1995, IEEE Std 1394a-2000, and the *1394 Open Host Controller Interface Specification*. It is capable of transferring data between the 33-MHz PCI bus and the 1394 bus at 100M bits/s, 200M bits/s, and 400M bits/s. The PCI7510 device provides two 1394 ports that have separate cable bias (TPBIAS). The PCI7510 device also supports the IEEE Std 1394a-2000 power-down features for battery-operated applications and arbitration enhancements.

As required by the *1394 Open Host Controller Interface Specification* (OHCI) and IEEE Std 1394a-2000, internal control registers are memory-mapped and non-prefetchable. The PCI configuration header is accessed through configuration cycles specified by PCI, and it provides plug-and-play (PnP) compatibility. Furthermore, the PCI7510 device is compliant with the *PCI Bus Power Management Interface Specification* as specified by the *PC 2001 Design Guide* requirements. The PCI7510 device supports the D0, D1, D2, and D3 power states.

Function 3 of the PCI7510 device is the interface to load the PCI7510 program RAM with firmware. This function provides an I/O window that a software driver uses to load the PCI7510 firmware into the internal RAM.

The PCI7510 design provides PCI bus master bursting, and it is capable of transferring a cacheline of data at 132M bytes/s after connection to the memory controller. Because PCI latency can be large, deep FIFOs are provided to buffer the 1394 data.

The PCI7510 device provides physical write posting buffers and a highly-tuned physical data path for SBP-2 performance. The PCI7510 device also provides multiple isochronous contexts, multiple cacheline burst transfers, advanced internal arbitration, and bus-holding buffers.

The PCI7510 PHY-layer provides the digital and analog transceiver functions needed to implement a two-port node in a cable-based 1394 network. Each cable port incorporates two differential line transceivers. The transceivers include circuitry to monitor the line conditions as needed for determining connection status, for initialization and arbitration, and for packet reception and transmission.

The PCI7510 PHY-layer requires only an external 24.576-MHz crystal as a reference for the cable ports. An external clock may be provided instead of a crystal. An internal oscillator drives an internal phase-locked loop (PLL), which generates the required 393.216-MHz reference signal. This reference signal is internally divided to provide the clock signals that control transmission of the outbound encoded strobe and data information. A 49.152-MHz clock signal is supplied to the integrated LLC for synchronization and is used for resynchronization of the received data. Data bits to be transmitted through the cable ports are received from the integrated LLC and are latched internally in synchronization with the 49.152-MHz system clock. These bits are combined serially, encoded, and transmitted at 98.304M, 196.608M, or 393.216M bits/s (referred to as S100, S200, or S400 speeds, respectively) as the outbound data-strobe information stream. During transmission, the encoded data information is transmitted differentially on the twisted-pair B (TPB) cable pair(s), and the encoded strobe information is transmitted differentially on the twisted-pair A (TPA) cable pair(s).

Various implementation specific functions and general-purpose inputs and outputs are provided through several multifunction terminals. These terminals present a system with options, such as PCI LOCK and parallel IRQs. ACPI-complaint general-purpose events may be programmed and controlled through the multifunction terminals, and an ACPI-compliant programming interface is included for the general-purpose inputs and outputs.

The PCI7510 device is compliant with the latest *PCI Bus Power Management Specification*, and provides several low-power modes, which enable the host power system to further reduce power consumption. The PCI7510 device also has a four-pin interface compatible with both the TI TPS2211 and TPS2221 power switches.

An advanced CMOS process achieves low power consumption and allows the PCI7510 device to operate at PCI clock rates up to 33 MHz.

1.2 Features

The PCI7510 device supports the following features:

- *PC Card Standard* 8.0 compliant
- *PCI Bus Power Management Interface Specification* 1.1 compliant
- *Advanced Configuration and Power Interface (ACPI) Specification* 2.0 compliant
- *PCI Local Bus Specification* Revision 2.3 compliant
- PC 98/99 and PC2001 compliant
- Compliant with the *PCI Bus Interface Specification for PCI-to-CardBus Bridges*
- Fully compliant with provisions of IEEE Std 1394-1995 for a high-performance serial bus and IEEE Std 1394a-2000
- Fully compliant with *1394 Open Host Controller Interface Specification* 1.1
- 1.8-V core logic and 3.3-V I/O cells with internal voltage regulator to generate 1.8-V core V_{CC}
- Universal PCI interfaces compatible with 3.3-V and 5-V PCI signaling environments
- Supports PC Card or CardBus with hot insertion and removal
- Supports 132-Mbps burst transfers to maximize data throughput on both the PCI bus and the CardBus
- Supports serialized IRQ with PCI interrupts
- Programmable multifunction terminals
- Many interrupt modes supported
- Serial ROM interface for loading subsystem ID and subsystem vendor ID
- ExCA-compatible registers are mapped in memory or I/O space
- Intel 82365SL–DF register compatible

- Supports ring indicate, $\overline{\text{SUSPEND}}$, and PCI $\overline{\text{CCLKRUN}}$ protocol and PCI bus Lock ($\overline{\text{LOCK}}$)
- Provides VGA/palette memory and I/O, and subtractive decoding options, LED activity terminals
- Fully interoperable with FireWire™ and i.LINK™ implementations of IEEE Std 1394
- Compliant with Intel *Mobile Power Guideline 2000*
- Full IEEE Std 1394a-2000 support includes: connection debounce, arbitrated short reset, multispeed concatenation, arbitration acceleration, fly-by concatenation, and port disable/suspend/resume
- Power-down features to conserve energy in battery-powered applications include: automatic device power down during suspend, PCI power management for link-layer, and inactive ports powered down, ultralow-power sleep mode
- Two IEEE Std 1394a-2000 fully compliant cable ports at 100M bits/s, 200M bits/s, and 400M bits/s
- Cable ports monitor line conditions for active connection to remote node
- Cable power presence monitoring
- Separate cable bias (TPBIAS) for each port
- Physical write posting of up to three outstanding transactions
- PCI burst transfers and deep FIFOs to tolerate large host latency
- External cycle timer control for customized synchronization
- Extended resume signaling for compatibility with legacy DV components
- PHY-Link logic performs system initialization and arbitration functions
- PHY-Link encode and decode functions included for data-strobe bit level encoding
- PHY-Link incoming data resynchronized to local clock
- Low-cost 24.576-MHz crystal provides transmit and receive data at 100M bits/s, 200M bits/s, and 400M bits/s
- Node power class information signaling for system power management
- Register bits give software control of contender bit, power class bits, link active control bit, and IEEE Std 1394a-2000 features
- Isochronous receive dual-buffer mode
- Out-of-order pipelining for asynchronous transmit requests
- Register access fail interrupt when the PHY SCLK is not active
- PCI power-management D0, D1, D2, and D3 power states
- Initial bandwidth available and initial channels available registers
- $\overline{\text{PME}}$ support per *1394 Open Host Controller Interface Specification*
- Advanced submicron, low-power CMOS technology

1.3 Related Documents

- *Advanced Configuration and Power Interface (ACPI) Specification (Revision 2.0)*
- *1394 Open Host Controller Interface Specification (Release 1.1)*
- *IEEE Standard for a High Performance Serial Bus (IEEE Std 1394-1995)*
- *IEEE Standard for a High Performance Serial Bus—Amendment 1 (IEEE Std 1394a-2000)*

- *PC Card Standard (Release 8.0)*
- *PC 2001 Design Guide*
- *PCI Bus Power Management Interface Specification (Revision 1.1)*
- *PCI Local Bus Specification (Revision 2.3)*
- *Mobile Power Guidelines 2000*
- *Serial Bus Protocol 2 (SBP-2)*
- *Serialized IRQ Support for PCI Systems*
- *PCI Mobile Design Guide*
- *PCI Bus Power Management Interface Specification for PCI to CardBus Bridges*
- *PCI14xx Implementation Guide for D3 Wake-Up*
- *PCI to PCMCIA CardBus Bridge Register Description*
- Texas Instruments TPS2221 product data sheet, SLVS419
- Texas Instruments TPS2211A product data sheet, SLVS282
- ISO/IEC 7816 Series, Parts 1–10
- PC/SC Workgroup Specifications, version 1.0, Parts 1–8
- Microsoft WLP 2.0 Compliant, WHQL Certified (MID 639789)

1.4 Trademarks

Intel is a trademark of Intel Corporation.

TI and MicroStar BGA are trademarks of Texas Instruments.

FireWire is a trademark of Apple Computer, Inc.

i.LINK is a trademark of Sony Corporation of America.

Other trademarks are the property of their respective owners.

1.5 Terms and Definitions

Terms and definitions used in this document are given in Table 1–1.

Table 1–1. Terms and Definitions

TERM	DEFINITIONS
CIS	Card information structure. Tuple list defined by the PC Card standard to communicate card information to the host computer
CSR	Control and status register
Function 3 firmware loader	A hardware element of the PCI7510 that provides a software interface to the TI firmware loader driver to load the program RAM with firmware
ISO/IEC 7816	The Smart Card standard
OHCI	Open host controller interface
PCMCIA	Personal Computer Memory Card International Association. Standards body that governs the PC Card standards
RSVD	Reserved for future use
Smart Card	The name applied to ID cards containing integrated circuits, as defined by ISO/IEC 7816-1
TI firmware loader driver	A qualified software component provided by Texas Instruments that loads the firmware into the PCI7510 on power up and initialization.
TI Smart Card driver	A qualified software component provided by Texas Instruments that loads when a Smart Card adapter is inserted into a PC Card slot. This driver is logically attached to a CIS provided by the PCI7510 when the adapter and media are both inserted.
UART	Universal asynchronous receiver and transmitter

1.6 Ordering Information

ORDERING NUMBER	NAME	VOLTAGE	PACKAGE
PCI7510	PC Card, Smart Card, and Integrated 1394a-2000 OHCI Two-Port PHY/Link-Layer Controller	3.3-V, 5-V tolerant I/Os	208-terminal LQFP (PDV) 209-ball PBGA (GHK)

2 Terminal Descriptions

The PCI7510 device is available in two packages, a 208-terminal quad flatpack (PDV) and a 209-terminal MicroStar BGA™ package (GHK). The terminal layout for the GHK package is shown in Figure 2–1. The terminal layout with signal names for the PDV package is shown in Figure 2–2.

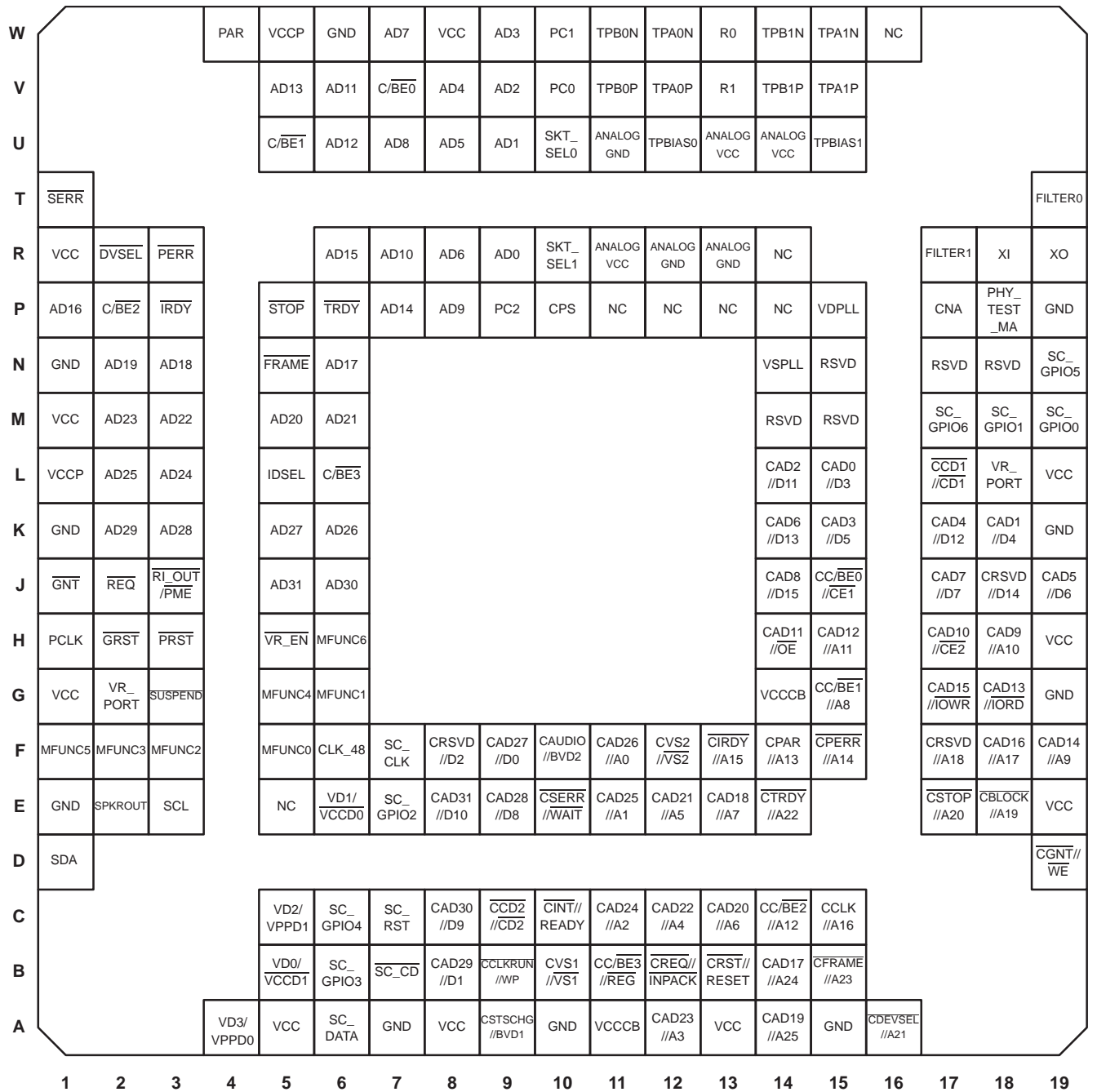


Figure 2–1. PCI7510 GHK-Package Terminal Diagram

**PDV LOW-PROFILE QUAD FLAT PACKAGE
(LQFP)
TOP VIEW**

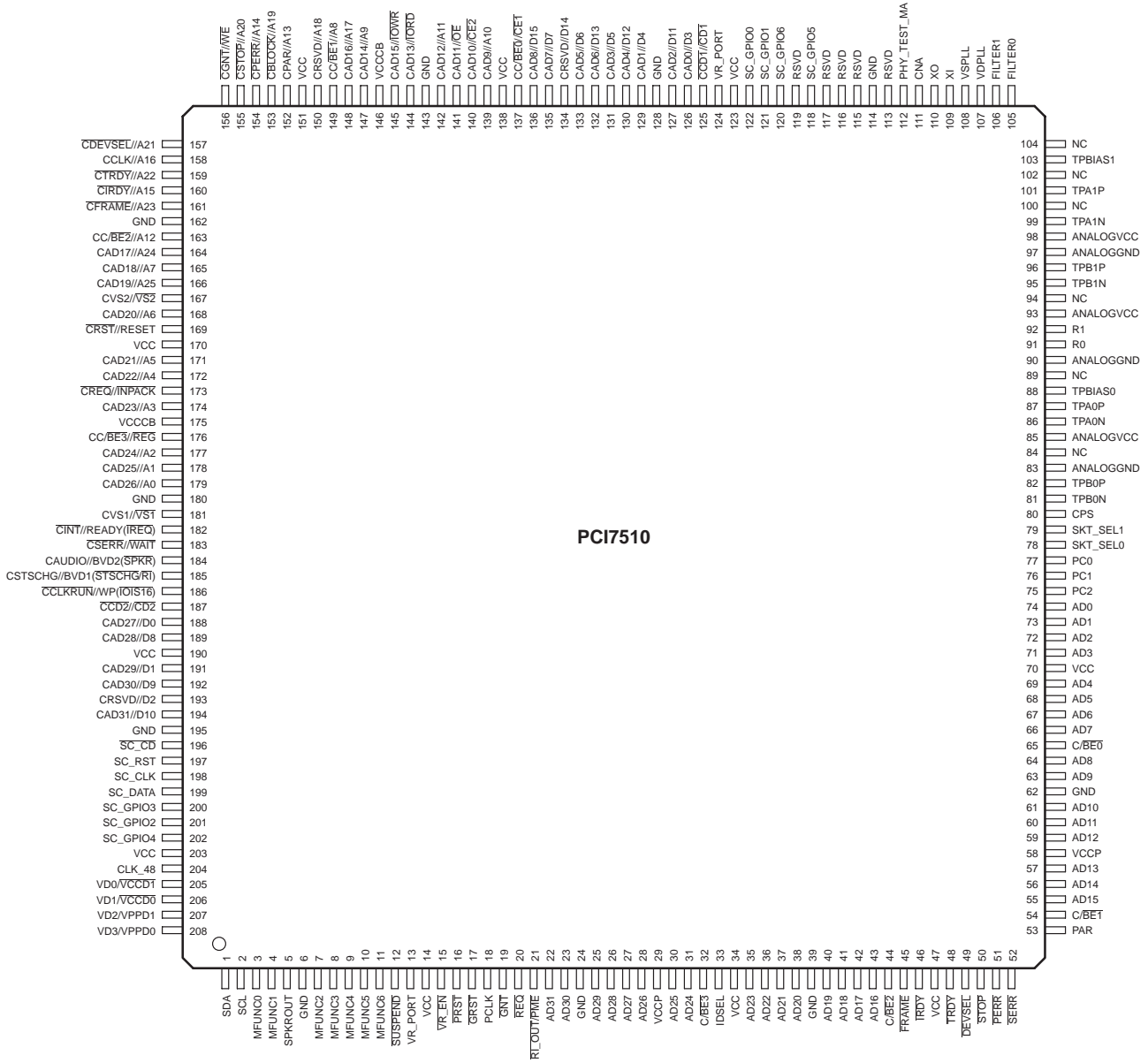


Figure 2–2. PCI7510 PDV-Package Terminal Diagram

Table 2–1 and Table 2–2 list the terminal assignments arranged in terminal-number order, with corresponding signal names for both CardBus and 16-bit PC Cards; Table 2–1 is for terminals on the PDV package and Table 2–2 is for terminals on the GHK package. Table 2–3 and Table 2–4 list the terminal assignments arranged in alphanumerical order by signal name, with corresponding terminal numbers for both PDV and GHK packages; Table 2–3 is for CardBus signal names and Table 2–4 is for 16-bit PC Card signal names.

Terminal E5 on the GHK package is an identification ball used for device orientation; it has no internal connection within the device.

Table 2–1. Signal Names by PDV Terminal Number

TERM. NO.	SIGNAL NAME		TERM. NO.	SIGNAL NAME		TERM. NO.	SIGNAL NAME	
	CardBus PC Card	16-Bit PC Card		CardBus PC Card	16-Bit PC Card		CardBus PC Card	16-Bit PC Card
1	SDA	SDA	39	GND	GND	77	PC0	PC0
2	SCL	SCL	40	AD19	AD19	78	SKT_SEL0	SKT_SEL0
3	MFUNC0	MFUNC0	41	AD18	AD18	79	SKT_SEL1	SKT_SEL1
4	MFUNC1	MFUNC1	42	AD17	AD17	80	CPS	CPS
5	SPKROUT	SPKROUT	43	AD16	AD16	81	TPB0N	TPB0N
6	GND	GND	44	C/BE2	C/BE2	82	TPB0P	TPB0P
7	MFUNC2	MFUNC2	45	$\overline{\text{FRAME}}$	$\overline{\text{FRAME}}$	83	ANALOGGND	ANALOGGND
8	MFUNC3	MFUNC3	46	$\overline{\text{IRDY}}$	$\overline{\text{IRDY}}$	84	NC	NC
9	MFUNC4	MFUNC4	47	$\overline{\text{VCC}}$	$\overline{\text{VCC}}$	85	ANALOGVCC	ANALOGVCC
10	MFUNC5	MFUNC5	48	$\overline{\text{TRDY}}$	$\overline{\text{TRDY}}$	86	TPA0N	TPA0N
11	MFUNC6	MFUNC6	49	$\overline{\text{DEVSEL}}$	$\overline{\text{DEVSEL}}$	87	TPA0P	TPA0P
12	$\overline{\text{SUSPEND}}$	$\overline{\text{SUSPEND}}$	50	$\overline{\text{STOP}}$	$\overline{\text{STOP}}$	88	TPBIAS0	TPBIAS0
13	VR_PORT	VR_PORT	51	$\overline{\text{PERR}}$	$\overline{\text{PERR}}$	89	NC	NC
14	$\overline{\text{VCC}}$	$\overline{\text{VCC}}$	52	$\overline{\text{SERR}}$	$\overline{\text{SERR}}$	90	ANALOGGND	ANALOGGND
15	$\overline{\text{VR_EN}}$	$\overline{\text{VR_EN}}$	53	PAR	PAR	91	R0	R0
16	$\overline{\text{PRST}}$	$\overline{\text{PRST}}$	54	$\overline{\text{C/BE1}}$	$\overline{\text{C/BE1}}$	92	R1	R1
17	$\overline{\text{GRST}}$	$\overline{\text{GRST}}$	55	AD15	AD15	93	ANALOGVCC	ANALOGVCC
18	PCLK	PCLK	56	AD14	AD14	94	NC	NC
19	$\overline{\text{GNT}}$	$\overline{\text{GNT}}$	57	AD13	AD13	95	TPB1N	TPB1N
20	$\overline{\text{REQ}}$	$\overline{\text{REQ}}$	58	$\overline{\text{VCCP}}$	$\overline{\text{VCCP}}$	96	TPB1P	TPB1P
21	$\overline{\text{RI_OUT/PME}}$	$\overline{\text{RI_OUT/PME}}$	59	AD12	AD12	97	ANALOGGND	ANALOGGND
22	AD31	AD31	60	AD11	AD11	98	ANALOGVCC	ANALOGVCC
23	AD30	AD30	61	AD10	AD10	99	TPA1N	TPA1N
24	GND	GND	62	GND	GND	100	NC	NC
25	AD29	AD29	63	AD9	AD9	101	TPA1P	TPA1P
26	AD28	AD28	64	AD8	AD8	102	NC	NC
27	AD27	AD27	65	$\overline{\text{C/BE0}}$	$\overline{\text{C/BE0}}$	103	TPBIAS1	TPBIAS1
28	AD26	AD26	66	AD7	AD7	104	NC	NC
29	$\overline{\text{VCCP}}$	$\overline{\text{VCCP}}$	67	AD6	AD6	105	FILTER0	FILTER0
30	AD25	AD25	68	AD5	AD5	106	FILTER1	FILTER1
31	AD24	AD24	69	AD4	AD4	107	VDPLL	VDPLL
32	$\overline{\text{C/BE3}}$	$\overline{\text{C/BE3}}$	70	$\overline{\text{VCC}}$	$\overline{\text{VCC}}$	108	VSPLL	VSPLL
33	IDSEL	IDSEL	71	AD3	AD3	109	XI	XI
34	$\overline{\text{VCC}}$	$\overline{\text{VCC}}$	72	AD2	AD2	110	XO	XO
35	AD23	AD23	73	AD1	AD1	111	CNA	CNA
36	AD22	AD22	74	AD0	AD0	112	PHY_TEST_MA	PHY_TEST_MA
37	AD21	AD21	75	PC2	PC2	113	RSVD	RSVD
38	AD20	AD20	76	PC1	PC1	114	GND	GND

Table 2-1. Signal Names by PDV Terminal Number (Continued)

TERM. NO.	SIGNAL NAME		TERM. NO.	SIGNAL NAME		TERM. NO.	SIGNAL NAME	
	CardBus PC Card	16-Bit PC Card		CardBus PC Card	16-Bit PC Card		CardBus PC Card	16-Bit PC Card
115	RSVD	RSVD	147	CAD14	A9	179	CAD26	A0
116	RSVD	RSVD	148	CAD16	A17	180	GND	GND
117	RSVD	RSVD	149	CC/BE1	A8	181	CVS1	VS1
118	SC_GPIO5	SC_GPIO5	150	CRSVD	A18	182	CINT	READY(IREQ)
119	RSVD	RSVD	151	VCC	VCC	183	CSERR	WAIT
120	SC_GPIO6	SC_GPIO6	152	CPAR	A13	184	CAUDIO	BVD2(SPKR)
121	SC_GPIO1	SC_GPIO1	153	CBLOCK	A19	185	CSTSCHG	BVD1(STSCHG/RI)
122	SC_GPIO0	SC_GPIO0	154	CPERR	A14	186	CCLKRUN	WP(IOIS1)
123	VCC	VCC	155	CSTOP	A20	187	CCD2	CD2
124	VR_PORT	VR_PORT	156	CGNT	WE	188	CAD27	D0
125	CCD1	CD1	157	CDEVSEL	A21	189	CAD28	D8
126	CAD0	D3	158	CCLK	A16	190	VCC	VCC
127	CAD2	D11	159	CTRDY	A22	191	CAD29	D1
128	GND	GND	160	CIRDY	A15	192	CAD30	D9
129	CAD1	D4	161	CFRAME	A23	193	CRSVD	D2
130	CAD4	D12	162	GND	GND	194	CAD31	D10
131	CAD3	D5	163	CC/BE2	A12	195	GND	GND
132	CAD6	D13	164	CAD17	A24	196	SC_CD	SC_CD
133	CAD5	D6	165	CAD18	A7	197	SC_RST	SC_RST
134	CRSVD	D14	166	CAD19	A25	198	SC_CLK	SC_CLK
135	CAD7	D7	167	CVS2	VS2	199	SC_DATA	SC_DATA
136	CAD8	D15	168	CAD20	A6	200	SC_GPIO3	SC_GPIO3
137	CC/BE0	CE1	169	CRST	RESET	201	SC_GPIO2	SC_GPIO2
138	VCC	VCC	170	VCC	VCC	202	SC_GPIO4	SC_GPIO4
139	CAD9	A10	171	CAD21	A5	203	VCC	VCC
140	CAD10	CE2	172	CAD22	A4	204	CLK_48	CLK_48
141	CAD11	OE	173	CREQ	INPACK	205	VD0/VCCD1	VD0/VCCD1
142	CAD12	A11	174	CAD23	A3	206	VD1/VCCD0	VD1/VCCD0
143	GND	GND	175	VCCCB	VCCCB	207	VD2/VPPD1	VD2/VPPD1
144	CAD13	IORD	176	CC/BE3	REG	208	VD3/VPPD0	VD3/VPPD0
145	CAD15	IOWR	177	CAD24	A2			
146	VCCCB	VCCCB	178	CAD25	A1			

Table 2–2. Signal Names by GHK Terminal Number

TERM. NO.	SIGNAL NAME		TERM. NO.	SIGNAL NAME		TERM. NO.	SIGNAL NAME	
	CardBus PC Card	16-Bit PC Card		CardBus PC Card	16-Bit PC Card		CardBus PC Card	16-Bit PC Card
A04	VD3/VPPD0	VD3/VPPD0	E07	SC_GPIO2	SC_GPIO2	H06	MFUNC6	MFUNC6
A05	VCC	VCC	E08	CAD31	D10	H14	CAD11	OE
A06	SC_DATA	SC_DATA	E09	CAD28	D8	H15	CAD12	A11
A07	GND	GND	E10	CSERR	WAIT	H17	CAD10	CE2
A08	VCC	VCC	E11	CAD25	A1	H18	CAD9	A10
A09	CSTSCHG	BVD1(STSCHG/RI)	E12	CAD21	A5	H19	VCC	VCC
A10	GND	GND	E13	CAD18	A7	J01	GNT	GNT
A11	VCCCB	VCCCB	E14	CTRDY	A22	J02	REQ	REQ
A12	CAD23	A3	E17	CSTOP	A20	J03	RI_OUT/PME	RI_OUT/PME
A13	VCC	VCC	E18	CBLOCK	A19	J05	AD31	AD31
A14	CAD19	A25	E19	VCC	VCC	J06	AD30	AD30
A15	GND	GND	F01	MFUNC5	MFUNC5	J14	CAD8	D15
A16	CDEVSEL	A21	F02	MFUNC3	MFUNC3	J15	CC/BE0	CE1
B05	VD0/VCCD1	VD0/VCCD1	F03	MFUNC2	MFUNC2	J17	CAD7	D7
B06	SC_GPIO3	SC_GPIO3	F05	MFUNC0	MFUNC0	J18	CRSVD	D14
B07	SC_CD	SC_CD	F06	CLK_48	CLK_48	J19	CAD5	D6
B08	CAD29	D1	F07	SC_CLK	SC_CLK	K01	GND	GND
B09	CCLKRUN	WP(IOIS16)	F08	CRSVD	D2	K02	AD29	AD29
B10	CVS1	VS1	F09	CAD27	D0	K03	AD28	AD28
B11	CC/BE3	REG	F10	CAUDIO	BVD2(SPKR)	K05	AD27	AD27
B12	CREQ	INPACK	F11	CAD26	A0	K06	AD26	AD26
B13	CRST	RESET	F12	CVS2	VS2	K14	CAD6	D13
B14	CAD17	A24	F13	CIRDY	A15	K15	CAD3	D5
B15	CFRAME	A23	F14	CPAR	A13	K17	CAD4	D12
C05	VD2/VPPD1	VD2/VPPD1	F15	CPERR	A14	K18	CAD1	D4
C06	SC_GPIO4	SC_GPIO4	F17	CRSVD	A18	K19	GND	GND
C07	SC_RST	SC_RST	F18	CAD16	A17	L01	VCCP	VCCP
C08	CAD30	D9	F19	CAD14	A9	L02	AD25	AD25
C09	CCD2	CD2	G01	VCC	VCC	L03	AD24	AD24
C10	CINT	READY(IREQ)	G02	VR_PORT	VR_PORT	L05	IDSEL	IDSEL
C11	CAD24	A2	G03	SUSPEND	SUSPEND	L06	C/BE3	C/BE3
C12	CAD22	A4	G05	MFUNC4	MFUNC4	L14	CAD2	D11
C13	CAD20	A6	G06	MFUNC1	MFUNC1	L15	CAD0	D3
C14	CC/BE2	A12	G14	VCCCB	VCCCB	L17	CCD1	CD1
C15	CCLK	A16	G15	CC/BE1	A8	L18	VR_PORT	VR_PORT
D01	SDA	SDA	G17	CAD15	IOWR	L19	VCC	VCC
D19	CGNT	WE	G18	CAD13	IORD	M01	VCC	VCC
E01	GND	GND	G19	GND	GND	M02	AD23	AD23
E02	SPKROUT	SPKROUT	H01	PCLK	PCLK	M03	AD22	AD22
E03	SCL	SCL	H02	GRST	GRST	M05	AD20	AD20
E05	NC	NC	H03	PRST	PRST	M06	AD21	AD21
E06	VD1/VCCD0	VD1/VCCD0	H05	VR_EN	VR_EN	M14	RSVD	RSVD

Table 2–2. Signal Names by GHK Terminal Number (Continued)

TERM. NO.	SIGNAL NAME		TERM. NO.	SIGNAL NAME		TERM. NO.	SIGNAL NAME	
	CardBus PC Card	16-Bit PC Card		CardBus PC Card	16-Bit PC Card		CardBus PC Card	16-Bit PC Card
M15	RSVD	RSVD	P17	CNA	CNA	U13	ANALOGVCC	ANALOGVCC
M17	SC_GPIO6	SC_GPIO6	P18	PHY_TEST_MA	PHY_TEST_MA	U14	ANALOGVCC	ANALOGVCC
M18	SC_GPIO1	SC_GPIO1	P19	GND	GND	U15	TPBIAS1	TPBIAS1
M19	SC_GPIO0	SC_GPIO0	R01	VCC	VCC	V05	AD13	AD13
N01	GND	GND	R02	$\overline{\text{DEVSEL}}$	$\overline{\text{DEVSEL}}$	V06	AD11	AD11
N02	AD19	AD19	R03	$\overline{\text{PERR}}$	$\overline{\text{PERR}}$	V07	$\overline{\text{C/BE0}}$	$\overline{\text{C/BE0}}$
N03	AD18	AD18	R06	AD15	AD15	V08	AD4	AD4
N05	$\overline{\text{FRAME}}$	$\overline{\text{FRAME}}$	R07	AD10	AD10	V09	AD2	AD2
N06	AD17	AD17	R08	AD6	AD6	V10	PC0	PC0
N14	VSPLL	VSPLL	R09	AD0	AD0	V11	TPB0P	TPB0P
N15	RSVD	RSVD	R10	SKT_SEL1	SKT_SEL1	V12	TPA0P	TPA0P
N17	RSVD	RSVD	R11	ANALOGVCC	ANALOGVCC	V13	R1	R1
N18	RSVD	RSVD	R12	ANALOGGND	ANALOGGND	V14	TPB1P	TPB1P
N19	SC_GPIO5	SC_GPIO5	R13	ANALOGGND	ANALOGGND	V15	TPA1P	TPA1P
P01	AD16	AD16	R14	NC	NC	W04	PAR	PAR
P02	$\overline{\text{C/BE2}}$	$\overline{\text{C/BE2}}$	R17	FILTER1	FILTER1	W05	VCCP	VCCP
P03	$\overline{\text{IRDY}}$	$\overline{\text{IRDY}}$	R18	XI	XI	W06	GND	GND
P05	$\overline{\text{STOP}}$	$\overline{\text{STOP}}$	R19	XO	XO	W07	AD7	AD7
P06	$\overline{\text{TRDY}}$	$\overline{\text{TRDY}}$	T01	$\overline{\text{SERR}}$	$\overline{\text{SERR}}$	W08	VCC	VCC
P07	AD14	AD14	T19	FILTER0	FILTER0	W09	AD3	AD3
P08	AD9	AD9	U05	$\overline{\text{C/BE1}}$	$\overline{\text{C/BE1}}$	W10	PC1	PC1
P09	PC2	PC2	U06	AD12	AD12	W11	TPB0N	TPB0N
P10	CPS	CPS	U07	AD8	AD8	W12	TPA0N	TPA0N
P11	NC	NC	U08	AD5	AD5	W13	R0	R0
P12	NC	NC	U09	AD1	AD1	W14	TPB1N	TPB1N
P13	NC	NC	U10	SKT_SEL0	SKT_SEL0	W15	TPA1N	TPA1N
P14	NC	NC	U11	ANALOGGND	ANALOGGND	W16	NC	NC
P15	VDPLL	VDPLL	U12	TPBIAS0	TPBIAS0			

Table 2-3. CardBus PC Card Signal Names Sorted Alphabetically

SIGNAL NAME	TERMINAL NUMBER		SIGNAL NAME	TERMINAL NUMBER		SIGNAL NAME	TERMINAL NUMBER	
	PDV	GHK		PDV	GHK		PDV	GHK
AD0	74	R09	CAD6	132	K14	$\overline{\text{CIRDY}}$	160	F13
AD1	73	U09	CAD7	135	J17	CLK_48	204	F06
AD2	72	V09	CAD8	136	J14	CNA	111	P17
AD3	71	W09	CAD9	139	H18	CPAR	152	F14
AD4	69	V08	CAD10	140	H17	$\overline{\text{CPERR}}$	154	F15
AD5	68	U08	CAD11	141	H14	CPS	80	P10
AD6	67	R08	CAD12	142	H15	$\overline{\text{CREQ}}$	173	B12
AD7	66	W07	CAD13	144	G18	$\overline{\text{CRST}}$	169	B13
AD8	64	U07	CAD14	147	F19	CRSVD	134	F08
AD9	63	P08	CAD15	145	G17	CRSVD	150	F17
AD10	61	R07	CAD16	148	F18	CRSVD	193	J18
AD11	60	V06	CAD17	164	B14	$\overline{\text{CSERR}}$	183	E10
AD12	59	U06	CAD18	165	E13	$\overline{\text{CSTOP}}$	155	E17
AD13	57	V05	CAD19	166	A14	CSTSCHG	185	A09
AD14	56	P07	CAD20	168	C13	$\overline{\text{CTRDY}}$	159	E14
AD15	55	R06	CAD21	171	E12	CVS1	181	B10
AD16	43	P01	CAD22	172	C12	CVS2	167	F12
AD17	42	N06	CAD23	174	A12	$\overline{\text{DEVSEL}}$	49	R02
AD18	41	N03	CAD24	177	C11	FILTER0	105	T19
AD19	40	N02	CAD25	178	E11	FILTER1	106	R17
AD20	38	M05	CAD26	179	F11	$\overline{\text{FRAME}}$	45	N05
AD21	37	M06	CAD27	188	F09	GND	6	E01
AD22	36	M03	CAD28	189	E09	GND	24	K01
AD23	35	M02	CAD29	191	B08	GND	39	N01
AD24	31	L03	CAD30	192	C08	GND	62	W06
AD25	30	L02	CAD31	194	E08	GND	114	P19
AD26	28	K06	CAUDIO	184	F10	GND	128	K19
AD27	27	K05	$\overline{\text{C/BE0}}$	65	V07	GND	143	G19
AD28	26	K03	$\overline{\text{C/BE1}}$	54	U05	GND	162	A15
AD29	25	K02	$\overline{\text{C/BE2}}$	44	P02	GND	180	A10
AD30	23	J06	$\overline{\text{C/BE3}}$	32	L06	GND	195	A07
AD31	22	J05	$\overline{\text{CBLOCK}}$	153	E18	$\overline{\text{GNT}}$	19	J01
ANALOGGND	83	U11	$\overline{\text{CC/BE0}}$	137	J15	$\overline{\text{GRST}}$	17	H02
ANALOGGND	90	R12	$\overline{\text{CC/BE1}}$	149	G15	IDSEL	33	L05
ANALOGGND	97	R13	$\overline{\text{CC/BE2}}$	163	C14	$\overline{\text{IRDY}}$	46	P03
ANALOGVCC	85	R11	$\overline{\text{CC/BE3}}$	176	B11	MFUNC0	3	F05
ANALOGVCC	93	U13	$\overline{\text{CCD1}}$	125	L17	MFUNC1	4	G06
ANALOGVCC	98	U14	$\overline{\text{CCD2}}$	187	C09	MFUNC2	7	F03
CAD0	126	L15	CCLK	158	C15	MFUNC3	8	F02
CAD1	129	K18	$\overline{\text{CCLKRUN}}$	186	B09	MFUNC4	9	G05
CAD2	127	L14	$\overline{\text{CDEVSEL}}$	157	A16	MFUNC5	10	F01
CAD3	131	K15	$\overline{\text{CFRAME}}$	161	B15	MFUNC6	11	H06
CAD4	130	K17	$\overline{\text{CGNT}}$	156	D19	NC	-	E05
CAD5	133	J19	$\overline{\text{CINT}}$	182	C10	NC	84	P11

Table 2–3. CardBus PC Card Signal Names Sorted Alphabetically (Continued)

SIGNAL NAME	TERMINAL NUMBER		SIGNAL NAME	TERMINAL NUMBER		SIGNAL NAME	TERMINAL NUMBER	
	PDV	GHK		PDV	GHK		PDV	GHK
NC	89	P12	SC_GPIO0	122	M19	V _{CC}	14	A05
NC	94	P13	SC_GPIO1	121	M18	V _{CC}	34	A08
NC	100	P14	SC_GPIO2	201	E07	V _{CC}	47	A13
NC	102	R14	SC_GPIO3	200	B06	V _{CC}	70	E19
NC	104	W16	SC_GPIO4	202	C06	V _{CC}	123	G01
PAR	53	W04	SC_GPIO5	118	N19	V _{CC}	138	H19
PCLK	18	H01	SC_GPIO6	120	M17	V _{CC}	151	L19
PC0	77	V10	SC_RST	197	C07	V _{CC}	170	M01
PC1	76	W10	SDA	1	D01	V _{CC}	190	R01
PC2	75	P09	SERR	52	T01	V _{CC}	203	W08
PERR	51	R03	SKT_SEL0	78	U10	V _{CCCB}	146	A11
PHY_TEST_MA	112	P18	SKT_SEL1	79	R10	V _{CCCB}	175	G14
PRST	16	H03	SPKROUT	5	E02	V _{CCP}	29	L01
REQ	20	J02	STOP	50	P05	V _{CCP}	58	W05
RI_OUT/PME	21	J03	SUSPEND	12	G03	VDPLL	107	P15
RSVD	113	N15	TPA0N	86	W12	VD0/V _{CCD1}	205	B05
RSVD	115	M14	TPA0P	87	V12	VD1/V _{CCD0}	206	E06
RSVD	116	N17	TPA1N	99	W15	VD2/V _{PPD1}	207	C05
RSVD	117	N18	TPA1P	101	V15	VD3/V _{PPD0}	208	A04
RSVD	119	M15	TPBIAS0	88	U12	VR_EN	15	H05
R0	91	W13	TPBIAS1	103	U15	VR_PORT	13	G02
R1	92	V13	TPB0N	81	W11	VR_PORT	124	L18
SCL	2	E03	TPB0P	82	V11	VSPLL	108	N14
SC_CD	196	B07	TPB1N	95	W14	XI	109	R18
SC_CLK	198	F07	TPB1P	96	V14	XO	110	R19
SC_DATA	199	A06	TRDY	48	P06			

Table 2-4. 16-Bit PC Card Signal Names Sorted Alphabetically

SIGNAL NAME	TERMINAL NUMBER		SIGNAL NAME	TERMINAL NUMBER		SIGNAL NAME	TERMINAL NUMBER	
	PDV	GHK		PDV	GHK		PDV	GHK
AD0	74	R09	A9	147	F19	D4	129	K18
AD1	73	U09	A10	139	H18	D5	131	K15
AD2	72	V09	A11	142	H15	D6	133	J19
AD3	71	W09	A12	163	C14	D7	135	J17
AD4	69	V08	A13	152	F14	D8	189	E09
AD5	68	U08	A14	154	F15	D9	192	C08
AD6	67	R08	A15	160	F13	D10	194	E08
AD7	66	W07	A16	158	C15	D11	127	L14
AD8	64	U07	A17	148	F18	D12	130	K17
AD9	63	P08	A18	150	F17	D13	132	K14
AD10	61	R07	A19	153	E18	D14	134	J18
AD11	60	V06	A20	155	E17	D15	136	J14
AD12	59	U06	A21	157	A16	FILTER0	105	T19
AD13	57	V05	A22	159	E14	FILTER1	106	R17
AD14	56	P07	A23	161	B15	FRAME	45	N05
AD15	55	R06	A24	164	B14	GND	6	E01
AD16	43	P01	A25	166	A14	GND	24	K01
AD17	42	N06	ANALOGGND	83	U11	GND	39	N01
AD18	41	N03	ANALOGGND	90	R12	GND	62	W06
AD19	40	N02	ANALOGGND	97	R13	GND	114	P19
AD20	38	M05	ANALOGVCC	85	R11	GND	128	K19
AD21	37	M06	ANALOGVCC	93	U13	GND	143	G19
AD22	36	M03	ANALOGVCC	98	U14	GND	162	A15
AD23	35	M02	BVD1(STSCHG/RI)	185	A09	GND	180	A10
AD24	31	L03	BVD2(SPKR)	184	F10	GND	195	A07
AD25	30	L02	C/BE0	65	V07	GNT	19	J01
AD26	28	K06	C/BE1	54	U05	GRST	17	H02
AD27	27	K05	C/BE2	44	P02	IDSEL	33	L05
AD28	26	K03	C/BE3	32	L06	INPACK	173	B12
AD29	25	K02	CD1	125	L17	IORD	144	G18
AD30	23	J06	CD2	187	C09	IOWR	145	G17
AD31	22	J05	CE1	137	J15	IRDY	46	P03
A0	179	F11	CE2	140	H17	MFUNC0	3	F05
A1	178	E11	CLK_48	204	F06	MFUNC1	4	G06
A2	177	C11	CNA	111	P17	MFUNC2	7	F03
A3	174	A12	CPS	80	P10	MFUNC3	8	F02
A4	172	C12	DEVSEL	49	R02	MFUNC4	9	G05
A5	171	E12	D0	188	F09	MFUNC5	10	F01
A6	168	C13	D1	191	B08	MFUNC6	11	H06
A7	165	E13	D2	193	F08	NC	-	E05
A8	149	G15	D3	126	L15	NC	84	P11

Table 2-4. 16-Bit PC Card Signal Names Sorted Alphabetically (Continued)

SIGNAL NAME	TERMINAL NUMBER		SIGNAL NAME	TERMINAL NUMBER		SIGNAL NAME	TERMINAL NUMBER	
	PDV	GHK		PDV	GHK		PDV	GHK
NC	89	P12	SC_DATA	199	A06	V _{CC}	47	A13
NC	94	P13	SC_GPIO0	122	M19	V _{CC}	70	E19
NC	100	P14	SC_GPIO1	121	M18	V _{CC}	123	G01
NC	102	R14	SC_GPIO2	201	E07	V _{CC}	138	H19
NC	104	W16	SC_GPIO3	200	B06	V _{CC}	151	L19
$\overline{\text{OE}}$	141	H14	SC_GPIO4	202	C06	V _{CC}	170	M01
PAR	53	W04	SC_GPIO5	118	N19	V _{CC}	190	R01
PCLK	18	H01	SC_GPIO6	120	M17	V _{CC}	203	W08
PC0	77	V10	SC_RST	197	C07	V _{CCCB}	146	A11
PC1	76	W10	SDA	1	D01	V _{CCCB}	175	G14
PC2	75	P09	$\overline{\text{SERR}}$	52	T01	V _{CCP}	29	L01
$\overline{\text{PERR}}$	51	R03	SKT_SEL0	78	U10	V _{CCP}	58	W05
PHY_TEST_MA	112	P18	SKT_SEL1	79	R10	VDPLL	107	P15
$\overline{\text{PRST}}$	16	H03	SPKROUT	5	E02	VD0/ $\overline{\text{VCCD1}}$	205	B05
READY(IREQ)	182	C10	$\overline{\text{STOP}}$	50	P05	VD1/ $\overline{\text{VCCD0}}$	206	E06
$\overline{\text{REG}}$	176	B11	$\overline{\text{SUSPEND}}$	12	G03	VD2/ $\overline{\text{PPD1}}$	207	C05
$\overline{\text{REQ}}$	20	J02	TPA0N	86	W12	VD3/ $\overline{\text{PPD0}}$	208	A04
RESET	169	B13	TPA0P	87	V12	$\overline{\text{VR_EN}}$	15	H05
$\overline{\text{RI_OUT/PME}}$	21	J03	TPA1N	99	W15	VR_PORT	13	G02
RSVD	113	N14	TPA1P	101	V15	VR_PORT	124	L18
RSVD	115	M14	TPBIAS0	88	U12	VSPLL	108	N14
RSVD	116	N17	TPBIAS1	103	U15	$\overline{\text{VS1}}$	181	B10
RSVD	117	N18	TPB0N	81	W11	$\overline{\text{VS2}}$	167	F12
RSVD	119	M15	TPB0P	82	V11	$\overline{\text{WAIT}}$	183	E10
R0	91	W13	TPB1N	95	W14	$\overline{\text{WE}}$	156	D19
R1	92	V13	TPB1P	96	V14	WP(IOS16)	186	B09
SCL	2	E03	$\overline{\text{TRDY}}$	48	P06	XI	109	R18
$\overline{\text{SC_CD}}$	196	B07	V _{CC}	14	A05	XO	110	R19
SC_CLK	198	F07	V _{CC}	34	A08			

The terminals are grouped in tables by functionality, such as PCI system function, power-supply function, etc. The terminal numbers are also listed for convenient reference.

Table 2–5. Power Supply Terminals

TERMINAL			I/O	DESCRIPTION
NAME	NUMBER			
	PDV	GHK		
GND	6, 24, 39, 62, 114, 128, 143, 162, 180, 195	E01, K01, N01, W06, P19, K19, G19, A15, A10, A07	–	Device ground terminal
V _{CC}	14, 34, 47, 70, 123, 138, 151, 170, 190, 203	G01, M01, R01, W08, L19, H19, E19, A13, A08, A05	–	Power supply terminal for I/O and internal voltage regulator
V _{CCCB}	146, 175	G14, A11	–	Clamp voltage for PC CardBus interface. Matches card B signaling environment, 5 V or 3.3 V
V _{CCP}	29, 58	L01, W05	–	Clamp voltage for PCI and miscellaneous I/O, 5 V or 3.3 V
VR _{EN}	15	H05	I	Internal voltage regulator enable. Active low
VR _{PORT}	13, 124	G02, L18	I/O	1.8 V output from voltage regulator

Table 2–6. PC Card Power Switch Terminals

TERMINAL			I/O	DESCRIPTION
NAME	NUMBER			
	PDV	GHK		
VD1/V _{CCD0} VD0/V _{CCD1} VD3/V _{PPD0} VD2/V _{PPD1}	206 205 208 207	E06 B05 A04 C05	O	Logic controls to the TPS2211A or TPS2221 PC Card power interface

Table 2–7. PCI System Terminals

TERMINAL			I/O	DESCRIPTION
NAME	NUMBER			
	PDV	GHK		
$\overline{\text{GRST}}$	17	H02	I	Global reset. When the global reset is asserted, the $\overline{\text{GRST}}$ signal causes the PCI7510 device to place all output buffers in a high-impedance state and reset all internal registers. When $\overline{\text{GRST}}$ is asserted, the device is completely in its default state. $\overline{\text{GRST}}$ must be connected to POWER_OK.
PCLK	18	H01	I	PCI bus clock. PCLK provides timing for all transactions on the PCI bus. All PCI signals are sampled at the rising edge of PCLK.
$\overline{\text{PRST}}$	16	H03	I	PCI bus reset. When the PCI bus reset is asserted, $\overline{\text{PRST}}$ causes the PCI7510 device to place all output buffers in a high-impedance state and reset internal registers. When $\overline{\text{PRST}}$ is asserted, the device is completely nonfunctional. After $\overline{\text{PRST}}$ is deasserted, the PCI7510 device is in a default state. When SUSPEND and $\overline{\text{PRST}}$ are asserted, the device is protected from $\overline{\text{PRST}}$ clearing the internal registers. All outputs are placed in a high-impedance state, but the contents of the registers are preserved.

Table 2–8. PCI Address and Data Terminals

TERMINAL			I/O	DESCRIPTION
NAME	NUMBER			
	PDV	GHK		
AD31	22	J05	I/O	PCI address/data bus. These signals make up the multiplexed PCI address and data bus on the primary interface. During the address phase of a primary-bus PCI cycle, AD31–AD0 contain a 32-bit address or other destination information. During the data phase, AD31–AD0 contain data.
AD30	23	J06		
AD29	25	K02		
AD28	26	K03		
AD27	27	K05		
AD26	28	K06		
AD25	30	L02		
AD24	31	L03		
AD23	35	M02		
AD22	36	M03		
AD21	37	M06		
AD20	38	M05		
AD19	40	N02		
AD18	41	N03		
AD17	42	N06		
AD16	43	P01		
AD15	55	R06		
AD14	56	P07		
AD13	57	V05		
AD12	59	U06		
AD11	60	V06		
AD10	61	R07		
AD9	63	P08		
AD8	64	U07		
AD7	66	W07		
AD6	67	R08		
AD5	68	U08		
AD4	69	V08		
AD3	71	W09		
AD2	72	V09		
AD1	73	U09		
AD0	74	R09		
$\overline{C/BE3}$ $\overline{C/BE2}$ $\overline{C/BE1}$ $\overline{C/BE0}$	32 44 54 65	L06 P02 U05 V07	I/O	PCI-bus commands and byte enables. These signals are multiplexed on the same PCI terminals. During the address phase of a primary-bus PCI cycle, $\overline{C/BE3}$ – $\overline{C/BE0}$ define the bus command. During the data phase, this 4-bit bus is used as byte enables. The byte enables determine which byte paths of the full 32-bit data bus carry meaningful data. $\overline{C/BE0}$ applies to byte 0 (AD7–AD0), $\overline{C/BE1}$ applies to byte 1 (AD15–AD8), $\overline{C/BE2}$ applies to byte 2 (AD23–AD16), and $\overline{C/BE3}$ applies to byte 3 (AD31–AD24).
PAR	53	W04	I/O	PCI-bus parity. In all PCI-bus read and write cycles, the PCI7510 device calculates even parity across the AD31–AD0 and $\overline{C/BE3}$ – $\overline{C/BE0}$ buses. As an initiator during PCI cycles, the PCI7510 device outputs this parity indicator with a one-PCLK delay. As a target during PCI cycles, the PCI7510 device compares its calculated parity to the parity indicator of the initiator. A compare error results in the assertion of a parity error (PERR).

Table 2–9. PCI Interface Control Terminals

TERMINAL			I/O	DESCRIPTION
NAME	NUMBER			
	PDV	GHK		
$\overline{\text{DEVSEL}}$	49	R02	I/O	PCI device select. The PCI7510 device asserts $\overline{\text{DEVSEL}}$ to claim a PCI cycle as the target device. As a PCI initiator on the bus, the PCI7510 device monitors $\overline{\text{DEVSEL}}$ until a target responds. If no target responds before timeout occurs, then the PCI7510 device terminates the cycle with an initiator abort.
$\overline{\text{FRAME}}$	45	N05	I/O	PCI cycle frame. $\overline{\text{FRAME}}$ is driven by the initiator of a bus cycle. $\overline{\text{FRAME}}$ is asserted to indicate that a bus transaction is beginning, and data transfers continue while this signal is asserted. When $\overline{\text{FRAME}}$ is deasserted, the PCI bus transaction is in the final data phase.
$\overline{\text{GNT}}$	19	J01	I	PCI bus grant. $\overline{\text{GNT}}$ is driven by the PCI bus arbiter to grant the PCI7510 device access to the PCI bus after the current data transaction has completed. $\overline{\text{GNT}}$ may or may not follow a PCI bus request, depending on the PCI bus parking algorithm.
IDSEL	33	L05	I	Initialization device select. IDSEL selects the PCI7510 device during configuration space accesses. IDSEL can be connected to one of the upper 24 PCI address lines on the PCI bus.
$\overline{\text{IRDY}}$	46	P03	I/O	PCI initiator ready. $\overline{\text{IRDY}}$ indicates the ability of the PCI bus initiator to complete the current data phase of the transaction. A data phase is completed on a rising edge of PCLK where both $\overline{\text{IRDY}}$ and $\overline{\text{TRDY}}$ are asserted. Until $\overline{\text{IRDY}}$ and $\overline{\text{TRDY}}$ are both sampled asserted, wait states are inserted.
$\overline{\text{PERR}}$	51	R03	I/O	PCI parity error indicator. $\overline{\text{PERR}}$ is driven by a PCI device to indicate that calculated parity does not match PAR when $\overline{\text{PERR}}$ is enabled through bit 6 of the command register (PCI offset 04h, see Section 4.5).
$\overline{\text{REQ}}$	20	J02	O	PCI bus request. $\overline{\text{REQ}}$ is asserted by the PCI7510 device to request access to the PCI bus as an initiator.
$\overline{\text{SERR}}$	52	T01	O	PCI system error. $\overline{\text{SERR}}$ is an output that is pulsed from the PCI7510 device when enabled through bit 8 of the command register (PCI offset 04h, see Section 4.5) indicating a system error has occurred. The PCI7510 device need not be the target of the PCI cycle to assert this signal. When $\overline{\text{SERR}}$ is enabled in the command register, this signal also pulses, indicating that an address parity error has occurred on a CardBus interface.
$\overline{\text{STOP}}$	50	P05	I/O	PCI cycle stop signal. $\overline{\text{STOP}}$ is driven by a PCI target to request the initiator to stop the current PCI bus transaction. $\overline{\text{STOP}}$ is used for target disconnects and is commonly asserted by target devices that do not support burst data transfers.
$\overline{\text{TRDY}}$	48	P06	I/O	PCI target ready. $\overline{\text{TRDY}}$ indicates the ability of the primary bus target to complete the current data phase of the transaction. A data phase is completed on a rising edge of PCLK when both $\overline{\text{IRDY}}$ and $\overline{\text{TRDY}}$ are asserted. Until both $\overline{\text{IRDY}}$ and $\overline{\text{TRDY}}$ are asserted, wait states are inserted.

Table 2–10. Multifunction and Miscellaneous Terminals

TERMINAL			I/O	DESCRIPTION
NAME	NUMBER			
	PDV	GHK		
CLK_48	204	F06	I	48-MHz clock terminal
MFUNC0	3	F05	I/O	Multifunction terminal 0. See Section 4.36, <i>Multifunction Routing Status Register</i> , for configuration details.
MFUNC1	4	G06	I/O	Multifunction terminal 1. See Section 4.36, <i>Multifunction Routing Status Register</i> , for configuration details.
MFUNC2	7	F03	I/O	Multifunction terminal 2. See Section 4.36, <i>Multifunction Routing Status Register</i> , for configuration details.
MFUNC3	8	F02	I/O	Multifunction terminal 3. See Section 4.36, <i>Multifunction Routing Status Register</i> , for configuration details.
MFUNC4	9	G05	I/O	Multifunction terminal 4. See Section 4.36, <i>Multifunction Routing Status Register</i> , for configuration details.
MFUNC5	10	F01	I/O	Multifunction terminal 5. See Section 4.36, <i>Multifunction Routing Status Register</i> , for configuration details.
MFUNC6	11	H06	I/O	Multifunction terminal 6. See Section 4.36, <i>Multifunction Routing Status Register</i> , for configuration details.
NC	— 84, 89, 94, 100, 102, 104	E05 P11, P12, P13, P14, R14, W16		No connect. These terminals have no connection anywhere within the package. Terminal E05 on the GHK package is used as a key to indicate the location of the A01 corner of the BGA package.
PHY_TEST_MA	112	P18	I	PHY test pin. Not for customer use. It must be pulled high through a 4.7-k Ω resistor.
$\overline{\text{RI_OUT/PME}}$	21	J03	O	Ring indicate out and power management event output. This terminal provides an output for ring-indicate or PME signals.
SCL	2	E03	I/O	Serial clock. This terminal provides the serial clock signaling and is implemented as open-drain. For normal operation (a ROM is implemented in the design), this terminal must be pulled high to the ROM V_{DD} with a 2.7-k Ω resistor. Otherwise, it must be pulled low to ground with a 220- Ω resistor.
SDA	1	D01	I/O	Serial data. At $\overline{\text{GRST}}$, the SDA signal is sampled to determine if a two-wire serial ROM is present. If the serial ROM is detected, then this terminal provides the serial data signaling. This terminal is implemented as open-drain, and for normal operation (a ROM is implemented in the design), this terminal must be pulled high to the ROM V_{DD} with a 2.7-k Ω resistor. Otherwise, it must be pulled low to ground with a 220- Ω resistor.
SKT_SEL0 SKT_SEL1	78 79	U10 R10	I/O	Socket select terminals. These two terminals must be connected to ground through pulldown resistors.
SPKROUT	5	E02	O	Speaker output. SPKROUT is the output to the host system that can carry $\overline{\text{SPKR}}$ or CAUDIO through the PCI7510 device from the PC Card interface. SPKROUT is a low value (0) default. Card insertion or removal, or turning power on or off does not cause any changes to the SPKROUT terminal.
$\overline{\text{SUSPEND}}$	12	G03	I	$\overline{\text{Suspend}}$. $\overline{\text{SUSPEND}}$ protects the internal registers from clearing when the $\overline{\text{GRST}}$ or $\overline{\text{PRST}}$ signal is asserted. See Section 3.9.6, <i>Suspend Mode</i> , for details.

Table 2-11. 16-Bit PC Card Address and Data Terminals

TERMINAL			I/O	DESCRIPTION
NAME	NUMBER			
	PDV	GHK		
A25	166	A14	O	PC Card address. 16-bit PC Card address lines. A25 is the most significant bit.
A24	164	B14		
A23	161	B15		
A22	159	E14		
A21	157	A16		
A20	155	E17		
A19	153	E18		
A18	150	F17		
A17	148	F18		
A16	158	C15		
A15	160	F13		
A14	154	F15		
A13	152	F14		
A12	163	C14		
A11	142	H15		
A10	139	H18		
A9	147	F19		
A8	149	G15		
A7	165	E13		
A6	168	C13		
A5	171	E12		
A4	172	C12		
A3	174	A12		
A2	177	C11		
A1	178	E11		
A0	179	F11		
D15	136	J14	I/O	PC Card data. 16-bit PC Card data lines. D15 is the most significant bit.
D14	134	J18		
D13	132	K14		
D12	130	K17		
D11	127	L14		
D10	194	E08		
D9	192	C08		
D8	189	E09		
D7	135	J17		
D6	133	J19		
D5	131	K15		
D4	129	K18		
D3	126	L15		
D2	193	F08		
D1	191	B08		
D0	188	F09		

Table 2–12. 16-Bit PC Card Interface Control Terminals

TERMINAL			I/O	DESCRIPTION
NAME	NUMBER			
	PDV	GHK		
$\overline{\text{BVD1}}$ (STSCHG/RI)	185	A09	I	<p>Battery voltage detect 1. BVD1 is generated by 16-bit memory PC Cards that include batteries. BVD1 is used with BVD2 as an indication of the condition of the batteries on a memory PC Card. Both BVD1 and BVD2 are high when the battery is good. When BVD2 is low and BVD1 is high, the battery is weak and must be replaced. When BVD1 is low, the battery is no longer serviceable and the data in the memory PC Card is lost. See Section 5.6, <i>ExCA Card Status-Change Interrupt Configuration Register</i>, for enable bits. See Section 5.5, <i>ExCA Card Status-Change Register</i>, and Section 5.2, <i>ExCA Interface Status Register</i>, for the status bits for this signal.</p> <p>Status change. $\overline{\text{STSCHG}}$ is used to alert the system to a change in the READY, write protect, or battery voltage dead condition of a 16-bit I/O PC Card.</p> <p>Ring indicate. $\overline{\text{RI}}$ is used by 16-bit modem cards to indicate a ring detection.</p>
$\overline{\text{BVD2}}$ (SPKR)	184	F10	I	<p>Battery voltage detect 2. BVD2 is generated by 16-bit memory PC Cards that include batteries. BVD2 is used with BVD1 as an indication of the condition of the batteries on a memory PC Card. Both BVD1 and BVD2 are high when the battery is good. When BVD2 is low and BVD1 is high, the battery is weak and must be replaced. When BVD1 is low, the battery is no longer serviceable and the data in the memory PC Card is lost. See Section 5.6, <i>ExCA Card Status-Change Interrupt Configuration Register</i>, for enable bits. See Section 5.5, <i>ExCA Card Status-Change Register</i>, and Section 5.2, <i>ExCA Interface Status Register</i>, for the status bits for this signal.</p> <p>Speaker. $\overline{\text{SPKR}}$ is an optional binary audio signal available only when the card and socket have been configured for the 16-bit I/O interface. The audio signals from cards A and B are combined by the PCI7510 device and are output on SPKROUT.</p>
$\overline{\text{CD1}}$ $\overline{\text{CD2}}$	125 187	L17 C09	I	<p>Card detect 1 and card detect 2. $\overline{\text{CD1}}$ and $\overline{\text{CD2}}$ are internally connected to ground on the PC Card. When a PC Card is inserted into a socket, $\overline{\text{CD1}}$ and $\overline{\text{CD2}}$ are pulled low. For signal status, see Section 5.2, <i>ExCA Interface Status Register</i>.</p>
$\overline{\text{CE1}}$ $\overline{\text{CE2}}$	137 140	J15 H17	O	<p>Card enable 1 and card enable 2. $\overline{\text{CE1}}$ and $\overline{\text{CE2}}$ enable even- and odd-numbered address bytes. $\overline{\text{CE1}}$ enables even-numbered address bytes, and $\overline{\text{CE2}}$ enables odd-numbered address bytes.</p>
$\overline{\text{INPACK}}$	173	B12	I	<p>Input acknowledge. $\overline{\text{INPACK}}$ is asserted by the PC Card when it can respond to an I/O read cycle at the current address.</p>
$\overline{\text{IORD}}$	144	G18	O	<p>I/O read. $\overline{\text{IORD}}$ is asserted by the PCI7510 device to enable 16-bit I/O PC Card data output during host I/O read cycles.</p>
$\overline{\text{IOWR}}$	145	G17	O	<p>I/O write. $\overline{\text{IOWR}}$ is driven low by the PCI7510 device to strobe write data into 16-bit I/O PC Cards during host I/O write cycles.</p>
$\overline{\text{OE}}$	141	H14	O	<p>Output enable. $\overline{\text{OE}}$ is driven low by the PCI7510 device to enable 16-bit memory PC Card data output during host memory read cycles.</p>
READY (IREQ)	182	C10	I	<p>Ready. The ready function is provided by READY when the 16-bit PC Card and the host socket are configured for the memory-only interface. READY is driven low by 16-bit memory PC Cards to indicate that the memory card circuits are busy processing a previous write command. READY is driven high when the 16-bit memory PC Card is ready to accept a new data transfer command.</p> <p>Interrupt request. $\overline{\text{IREQ}}$ is asserted by a 16-bit I/O PC Card to indicate to the host that a device on the 16-bit I/O PC Card requires service by the host software. $\overline{\text{IREQ}}$ is high (deasserted) when no interrupt is requested.</p>
$\overline{\text{REG}}$	176	B11	O	<p>Attribute memory select. $\overline{\text{REG}}$ remains high for all common memory accesses. When $\overline{\text{REG}}$ is asserted, access is limited to attribute memory ($\overline{\text{OE}}$ or $\overline{\text{WE}}$ active) and to the I/O space ($\overline{\text{IORD}}$ or $\overline{\text{IOWR}}$ active). Attribute memory is a separately accessed section of card memory and is generally used to record card capacity and other configuration and attribute information.</p>
RESET	169	B13	O	<p>PC Card reset. RESET forces a hard reset to a 16-bit PC Card.</p>

Table 2–12. 16-Bit PC Card Interface Control Terminals (Continued)

TERMINAL			I/O	DESCRIPTION
NAME	NUMBER			
	PDV	GHK		
$\overline{VS1}$ $\overline{VS2}$	181 167	B10 F12	I/O	Voltage sense 1 and voltage sense 2. $\overline{VS1}$ and $\overline{VS2}$, when used in conjunction with each other, determine the operating voltage of the PC Card.
\overline{WAIT}	183	E10	I	Bus cycle wait. \overline{WAIT} is driven by a 16-bit PC Card to extend the completion of the memory or I/O cycle in progress.
\overline{WE}	156	D19	O	Write enable. \overline{WE} is used to strobe memory write data into 16-bit memory PC Cards. \overline{WE} is also used for memory PC Cards that employ programmable memory technologies.
\overline{WP} (IOIS16)	186	B09	I	Write protect. WP applies to 16-bit memory PC Cards. WP reflects the status of the write-protect switch on 16-bit memory PC Cards. For 16-bit I/O cards, WP is used for the 16-bit port (IOIS16) function. I/O is 16 bits. IOIS16 applies to 16-bit I/O PC Cards. IOIS16 is asserted by the 16-bit PC Card when the address on the bus corresponds to an address to which the 16-bit PC Card responds, and the I/O port that is addressed is capable of 16-bit accesses.

Table 2–13. CardBus PC Card Interface System Terminals

TERMINAL			I/O	DESCRIPTION
NAME	NUMBER			
	PDV	GHK		
CCLK	158	C15	O	CardBus clock. CCLK provides synchronous timing for all transactions on the CardBus interface. All signals except CRST, CCLKRUN, CINT, CSTSCHG, CAUDIO, CCD2, CCD1, CVS2, and CVS1 are sampled on the rising edge of CCLK, and all timing parameters are defined with the rising edge of this signal. CCLK operates at the PCI bus clock frequency, but it can be stopped in the low state or slowed down for power savings.
$\overline{CCLKRUN}$	186	B09	I/O	CardBus clock run. $\overline{CCLKRUN}$ is used by a CardBus PC Card to request an increase in the CCLK frequency, and by the PCI7510 device to indicate that the CCLK frequency is going to be decreased.
\overline{CRST}	169	B13	O	CardBus reset. \overline{CRST} brings CardBus PC Card-specific registers, sequencers, and signals to a known state. When \overline{CRST} is asserted, all CardBus PC Card signals are placed in a high-impedance state, and the PCI7510 device drives these signals to a valid logic level. Assertion can be asynchronous to CCLK, but deassertion must be synchronous to CCLK.

Table 2–14. CardBus PC Card Address and Data Terminals

TERMINAL			I/O	DESCRIPTION
NAME	NUMBER			
	PDV	GHK		
CAD31	194	E08	I/O	CardBus address and data. These signals make up the multiplexed CardBus address and data bus on the CardBus interface. During the address phase of a CardBus cycle, CAD31–CAD0 contain a 32-bit address. During the data phase of a CardBus cycle, CAD31–CAD0 contain data. CAD31 is the most significant bit.
CAD30	192	C08		
CAD29	191	B08		
CAD28	189	E09		
CAD27	188	F09		
CAD26	179	F11		
CAD25	178	E11		
CAD24	177	C11		
CAD23	174	A12		
CAD22	172	C12		
CAD21	171	E12		
CAD20	168	C13		
CAD19	166	A14		
CAD18	165	E13		
CAD17	164	B14		
CAD16	148	F18		
CAD15	145	G17		
CAD14	147	F19		
CAD13	144	G18		
CAD12	142	H15		
CAD11	141	H14		
CAD10	140	H17		
CAD9	139	H18		
CAD8	136	J14		
CAD7	135	J17		
CAD6	132	K14		
CAD5	133	J19		
CAD4	130	K17		
CAD3	131	K15		
CAD2	127	L14		
CAD1	129	K18		
CAD0	126	L15		
CC/ <u>BE</u> 3 CC/ <u>BE</u> 2 CC/ <u>BE</u> 1 CC/ <u>BE</u> 0	176 163 149 137	B11 C14 G15 J15	I/O	CardBus bus commands and byte enables. CC/ <u>BE</u> 3–CC/ <u>BE</u> 0 are multiplexed on the same CardBus terminals. During the address phase of a CardBus cycle, CC/ <u>BE</u> 3–CC/ <u>BE</u> 0 define the bus command. During the data phase, this 4-bit bus is used as byte enables. The byte enables determine which byte paths of the full 32-bit data bus carry meaningful data. CC/ <u>BE</u> 0 applies to byte 0 (CAD7–CAD0), CC/ <u>BE</u> 1 applies to byte 1 (CAD15–CAD8), CC/ <u>BE</u> 2 applies to byte 2 (CAD23–CAD16), and CC/ <u>BE</u> 3 applies to byte 3 (CAD31–CAD24).
CPAR	152	F14	I/O	CardBus parity. In all CardBus read and write cycles, the PCI7510 device calculates even parity across the CAD and CC/ <u>BE</u> buses. As an initiator during CardBus cycles, the PCI7510 device outputs CPAR with a one-CCLK delay. As a target during CardBus cycles, the PCI7510 device compares its calculated parity to the parity indicator of the initiator; a compare error results in a parity error assertion.

Table 2–15. CardBus PC Card Interface Control Terminals

TERMINAL			I/O	DESCRIPTION
NAME	NUMBER			
	PDV	GHK		
CAUDIO	184	F10	I	CardBus audio. CAUDIO is a digital input signal from a PC Card to the system speaker. The PCI7510 device supports the binary audio mode and outputs a binary signal from the card to SPKROUT.
$\overline{\text{CBLOCK}}$	153	E18	I/O	CardBus lock. $\overline{\text{CBLOCK}}$ is used to gain exclusive access to a target.
$\overline{\text{CCD1}}$ $\overline{\text{CCD2}}$	125 187	L17 C09	I	CardBus detect 1 and CardBus detect 2. $\overline{\text{CCD1}}$ and $\overline{\text{CCD2}}$ are used in conjunction with CVS1 and CVS2 to identify card insertion and interrogate cards to determine the operating voltage and card type.
$\overline{\text{CDEVSEL}}$	157	A16	I/O	CardBus device select. The PCI7510 device asserts $\overline{\text{CDEVSEL}}$ to claim a CardBus cycle as the target device. As a CardBus initiator on the bus, the PCI7510 device monitors $\overline{\text{CDEVSEL}}$ until a target responds. If no target responds before timeout occurs, then the PCI7510 device terminates the cycle with an initiator abort.
$\overline{\text{CFRAME}}$	161	B15	I/O	CardBus cycle frame. $\overline{\text{CFRAME}}$ is driven by the initiator of a CardBus bus cycle. $\overline{\text{CFRAME}}$ is asserted to indicate that a bus transaction is beginning, and data transfers continue while this signal is asserted. When $\overline{\text{CFRAME}}$ is deasserted, the CardBus bus transaction is in the final data phase.
$\overline{\text{CGNT}}$	156	D19	O	CardBus bus grant. $\overline{\text{CGNT}}$ is driven by the PCI7510 device to grant a CardBus PC Card access to the CardBus bus after the current data transaction has been completed.
$\overline{\text{CINT}}$	182	C10	I	CardBus interrupt. $\overline{\text{CINT}}$ is asserted low by a CardBus PC Card to request interrupt servicing from the host.
$\overline{\text{CIRDY}}$	160	F13	I/O	CardBus initiator ready. $\overline{\text{CIRDY}}$ indicates the ability of the CardBus initiator to complete the current data phase of the transaction. A data phase is completed on a rising edge of CCLK when both $\overline{\text{CIRDY}}$ and $\overline{\text{CTRDY}}$ are asserted. Until $\overline{\text{CIRDY}}$ and $\overline{\text{CTRDY}}$ are both sampled asserted, wait states are inserted.
$\overline{\text{CPERR}}$	154	F15	I/O	CardBus parity error. $\overline{\text{CPERR}}$ reports parity errors during CardBus transactions, except during special cycles. It is driven low by a target two clocks following the data cycle during which a parity error is detected.
$\overline{\text{CREQ}}$	173	B12	I	CardBus request. $\overline{\text{CREQ}}$ indicates to the arbiter that the CardBus PC Card desires use of the CardBus bus as an initiator.
$\overline{\text{CSERR}}$	183	E10	I	CardBus system error. $\overline{\text{CSERR}}$ reports address parity errors and other system errors that could lead to catastrophic results. $\overline{\text{CSERR}}$ is driven by the card synchronous to CCLK, but deasserted by a weak pullup; deassertion may take several CCLK periods. The PCI7510 device can report $\overline{\text{CSERR}}$ to the system by assertion of $\overline{\text{SERR}}$ on the PCI interface.
$\overline{\text{CSTOP}}$	155	E17	I/O	CardBus stop. $\overline{\text{CSTOP}}$ is driven by a CardBus target to request the initiator to stop the current CardBus transaction. $\overline{\text{CSTOP}}$ is used for target disconnects, and is commonly asserted by target devices that do not support burst data transfers.
CSTSCHG	185	A09	I	CardBus status change. CSTSCHG alerts the system to a change in the card status, and is used as a wake-up mechanism.
$\overline{\text{CTRDY}}$	159	E14	I/O	CardBus target ready. $\overline{\text{CTRDY}}$ indicates the ability of the CardBus target to complete the current data phase of the transaction. A data phase is completed on a rising edge of CCLK, when both $\overline{\text{CIRDY}}$ and $\overline{\text{CTRDY}}$ are asserted; until this time, wait states are inserted.
CVS1 CVS2	181 167	B10 F12	I/O	CardBus voltage sense 1 and CardBus voltage sense 2. CVS1 and CVS2 are used in conjunction with $\overline{\text{CCD1}}$ and $\overline{\text{CCD2}}$ to identify card insertion and interrogate cards to determine the operating voltage and card type.

Table 2–16. IEEE 1394 Physical Layer Terminals

TERMINAL			I/O	DESCRIPTION
NAME	NUMBER			
	PDV	GHK		
CNA	111	P17	I/O	Cable not active. This terminal is asserted high when there are no ports receiving incoming bias voltage. If it is not used, then this terminal must be strapped either to GND through a resistor.
CPS	80	P10	I	Cable power status input. This terminal is normally connected to cable power through a 400-kΩ resistor. This circuit drives an internal comparator that is used to detect the presence of cable power. If CPS is not used to detect cable power, then this terminal must be tied to ground.
FILTER0 FILTER1	105 106	T19 R17	I/O	PLL filter terminals. These terminals are connected to an external capacitance to form a lag-lead filter required for stable operation of the internal frequency multiplier PLL running off of the crystal oscillator. A 0.1-μF ±10% capacitor is the only external component required to complete this filter.
PC0 PC1 PC2	77 76 75	V10 W10 P09	I	Power class programming inputs. On hardware reset, these inputs set the default value of the power class indicated during self-ID. Programming is done by tying these terminals high or low.
R0 R1	91 92	W13 V13	–	Current-setting resistor terminals. These terminals are connected to an external resistance to set the internal operating currents and cable driver output currents. A resistance of 6.34 kΩ ±1% is required to meet the IEEE Std 1394-1995 output voltage limits.
TPA0P TPA0N	87 86	V12 W12	I/O	Twisted-pair cable A differential signal terminals. Board trace lengths from each pair of positive and negative differential signal pins must be matched and as short as possible to the external load resistors and to the cable connector.
TPA1P TPA1N	101 99	V15 W15	I/O	
TPBIAS0 TPBIAS1	88 103	U12 U15	I/O	Twisted-pair bias output. This provides the 1.86-V nominal bias voltage needed for proper operation of the twisted-pair cable drivers and receivers and for signaling to the remote nodes that there is an active cable connection. Each of these pins must be decoupled with a 1.0-μF capacitor to ground.
TPB0P TPB0N	82 81	V11 W11	I/O	Twisted-pair cable B differential signal terminals. Board trace lengths from each pair of positive and negative differential signal pins must be matched and as short as possible to the external load resistors and to the cable connector.
TPB1P TPB1N	96 95	V14 W14	I/O	
XI XO	109 110	R18 R19	–	Crystal oscillator inputs. These pins connect to a 24.576-MHz parallel resonant fundamental mode crystal. The optimum values for the external shunt capacitors are dependent on the specifications of the crystal used (see Section 3.10.2, <i>Crystal Selection</i>). Terminal 5 has an internal 10-kΩ (nominal value) pulldown resistor. An external clock input can be connected to the XI terminal. When using an external clock input, the XO terminal must be left unconnected. Refer to Section 3.10.2 for the operating characteristics of the XI terminal.

Table 2–17. Power Supply Terminals

TERMINAL			I/O	DESCRIPTION
NAME	NUMBER			
	PDV	GHK		
ANALOGGND	83 90 97	U11 R12 R13	–	Analog circuit ground terminals.
ANALOGVCC	85 93 98	R11 U13 U14	–	Analog circuit power terminals. A parallel combination of high frequency decoupling capacitors near each terminal is suggested, such as 0.1 μF and 0.001 μF. Lower frequency 10-μF filtering capacitors are also recommended. These supply terminals are separated from VDPLL and VSPLL internal to the device to provide noise isolation. They must be tied at a low-impedance point on the circuit board.
VDPLL	107	P15	–	PLL circuit power terminals. A parallel combination of high frequency decoupling capacitors near the terminal is suggested, such as 0.1 μF and 0.001 μF. Lower frequency 10-μF filtering capacitors are also recommended. This supply terminal is separated from AVDx internal to the device to provide noise isolation. It must be tied at a low-impedance point on the circuit board.
VSPLL	108	N14	–	PLL circuit ground terminals. This terminal must be tied to the low-impedance circuit board ground plane.

Table 2–18 provides the signal descriptions for the Smart Card dedicated socket signals.

Table 2–18. Smart Card Dedicated Socket Terminals

TERMINAL			I/O	DESCRIPTION
NAME	NUMBER			
	PDV	GHK		
SC_CD	196	B07	I/O	Smart Card detection
SC_CLK	198	F07	O	Smart Card clock. The PCI7510 drives a 4-MHz to 16-MHz clock to the Smart Card interface when enabled.
SC_DATA	199	A06	I/O	Smart Card data line
SC_GPIO0	122	M19	I/O	Smart Card general-purpose I/O terminal. This signal can be controlled by firmware and is used as a control signal for an external Smart Card interface chip or level shifter.
SC_GPIO1	121	M18	I/O	Smart Card general-purpose I/O terminal. This signal can be controlled by firmware and is used as a control signal for an external Smart Card interface chip or level shifter.
SC_GPIO2	201	E07	I/O	Smart Card general-purpose I/O terminal. This signal can be controlled by firmware and is used as a control signal for an external Smart Card interface chip or level shifter.
SC_GPIO3	200	B06	I/O	Smart Card general-purpose I/O terminal. This signal can be controlled by firmware and is used as a control signal for an external Smart Card interface chip or level shifter.
SC_GPIO4	202	C06	I/O	Smart Card general-purpose I/O terminal. This signal can be controlled by firmware and is used as a control signal for an external Smart Card interface chip or level shifter.
SC_GPIO5	118	N19	I/O	Smart Card general-purpose I/O terminal. This signal can be controlled by firmware and is used as a control signal for an external Smart Card interface chip or level shifter.
SC_GPIO6	120	M17	I/O	Smart Card general-purpose I/O terminal. This signal can be controlled by firmware and is used as a control signal for an external Smart Card interface chip or level shifter.
SC_RST	197	C07	O	Smart Card reset. This signal starts and stops the Smart Card reset sequence. The PCI7510 asserts this reset when requested by the host.

3 Feature/Protocol Descriptions

The following sections give an overview of the PCI7510 device. Figure 3–1 shows the connections to the PCI7510 device. The PCI interface includes all address/data and control signals for PCI protocol. The interrupt interface includes terminals for parallel PCI, parallel ISA, and serialized PCI and ISA signaling.

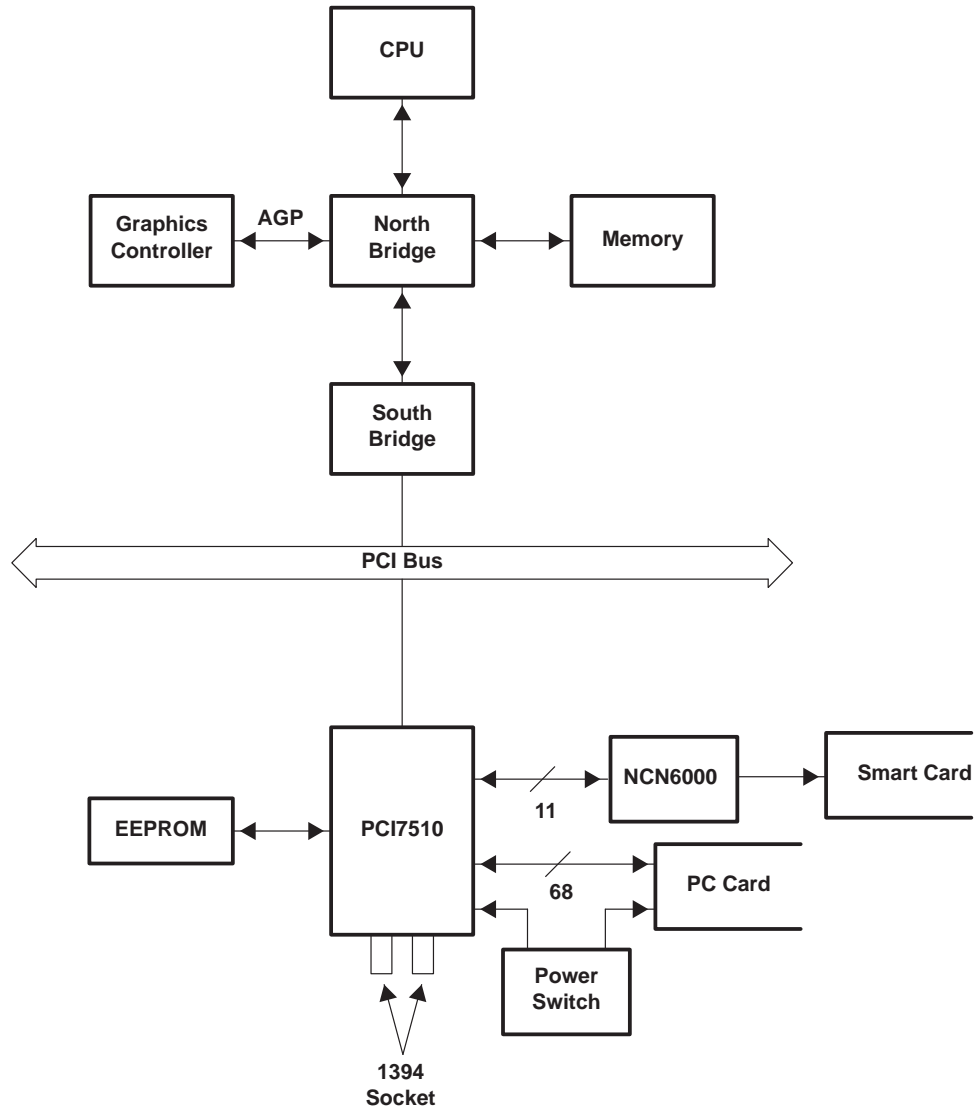


Figure 3–1. PCI7510 System Block Diagram

3.1 Power Supply Sequencing

The PCI7510 device contains 3.3-V I/O buffers with 5-V tolerance requiring a core power supply and clamp voltages. The core power supply is always 1.8 V. The clamp voltages can be either 3.3 V or 5 V, depending on the interface. The following power-up and power-down sequences are recommended.

The power-up sequence is:

1. Apply 3.3-V power to V_{CC} .

2. Assert $\overline{\text{GRST}}$ to the device to disable the outputs during power up. Output drivers must be powered up in the high-impedance state to prevent high current levels through the clamp diodes to the 5-V supply.
3. Apply the clamp voltage.

The power-down sequence is:

1. Assert $\overline{\text{GRST}}$ to switch the outputs to the high-impedance state.
2. Remove the clamp voltage.
3. Remove the 3.3-V power from V_{CC} .

3.2 Smart Card Dedicated Socket

3.2.1 Smart Card Overview

Smart Cards, also called integrated circuit cards or ICCs, are the same size as a credit card, and they contain an embedded microprocessor chip. Smart Cards can either have contacts or be contactless. In addition, there are both asynchronous and synchronous versions of Smart Cards with contacts. Within this data manual, all uses of the term Smart Card refers only to asynchronous Smart Cards with contacts.

Smart Cards contain eight contacts; however, two of the contacts are reserved for future use and are not included in the interface. Smart Cards can be either 5-V or 3-V cards; however, all 3-V cards are designed to work also at 5 V.

The primary use of Smart Cards is in security-related applications. They are also used in credit cards, debit systems, and identification systems.

3.2.2 Dedicated Socket (Function 1) Interface

The PCI7510 device has a dedicated Smart Card interface as PCI function 1. To use the Smart Card interface, the NCN6000 smart card interface device is recommended. There are two socket select terminals in the PCI7510 device that must be connected to ground through pulldown resistors for proper Smart Card operation. The SKT_SEL1 and SKT_SEL0 terminal configurations are:

SKT_SEL1	SKT_SEL0	INTERFACE SELECTED
0	0	Smart Card
0	1	Reserved
1	0	Reserved
1	1	None (test mode)

Use resistors to configure SKT_SEL1 and SKT_SEL0 for Smart Card operation.

3.3 I/O Characteristics

The PCI7510 device meets the ac specifications of the *PC Card Standard* (release 8.0) and *PCI Local Bus Specification*. Figure 3–2 shows a 3-state bidirectional buffer. Section 12.2, *Recommended Operating Conditions*, provides the electrical characteristics of the inputs and outputs.

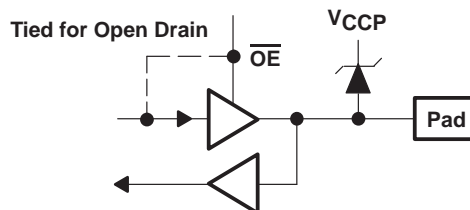


Figure 3–2. 3-State Bidirectional Buffer

3.4 Clamping Voltages

The clamping voltages are set to match whatever external environment the PCI7510 device is interfaced with: 3.3 V or 5 V. The I/O sites can be pulled through a clamping diode to a voltage rail that protects the core from external signals. The core power supply is 1.8 V and is independent of the clamping voltages. For example, PCI signaling can be either 3.3 V or 5 V, and the PCI7510 device must reliably accommodate both voltage levels. This is accomplished by using a 3.3-V I/O buffer that is 5-V tolerant, with the applicable clamping voltage applied. If a system designer desires a 5-V PCI bus, then V_{CCP} can be connected to a 5-V power supply.

3.5 Peripheral Component Interconnect (PCI) Interface

The PCI7510 device is fully compliant with the *PCI Local Bus Specification*. The PCI7510 device provides all required signals for PCI master or slave operation, and may operate in either a 5-V or 3.3-V signaling environment by connecting the V_{CCP} terminals to the desired voltage level. In addition to the mandatory PCI signals, the PCI7510 device provides the optional interrupt signals \overline{INTA} , \overline{INTB} , and \overline{INTC} for functions 0, 1, and 2, respectively.

3.5.1 1394 PCI Bus Master

As a bus master, the 1394 function of the PCI7510 device supports the memory commands specified in Table 3–1 below. The PCI master supports the memory read, memory read line, and memory read multiple commands. The read command usage for read transactions of greater than two data phases are determined by the selection in bits 9–8 (MR_ENHANCE field) of the PCI miscellaneous configuration register (refer to Section 7.23 for details). For read transactions of one or two data phases, a memory read command is used.

Table 3–1. PCI Bus Master Command Support

PCI	COMMAND C/BE3–C/BE0	OHCI MASTER FUNCTION
Memory read	0110	DMA read from memory
Memory write	0111	DMA write to memory
Memory read multiple	1100	DMA read from memory
Memory read line	1110	DMA read from memory
Memory write and invalidate	1111	DMA write to memory

3.5.2 PCI Bus Lock (\overline{LOCK})

The bus-locking protocol defined in the *PCI Local Bus Specification* is not highly recommended, but is provided on the PCI7510 device as an additional compatibility feature. The PCI \overline{LOCK} signal can be routed to the MFUNC4 terminal by setting the appropriate values in bits 19–16 of the multifunction routing status register. See Section 4.36, *Multifunction Routing Status Register*, for details. Note that the use of \overline{LOCK} is only supported by PCI-to-CardBus bridges in the downstream direction (away from the processor).

PCI \overline{LOCK} indicates an atomic operation that may require multiple transactions to complete. When \overline{LOCK} is asserted, nonexclusive transactions can proceed to an address that is not currently locked. A grant to start a transaction on the PCI bus does not guarantee control of \overline{LOCK} ; control of \overline{LOCK} is obtained under its own protocol. It is possible for different initiators to use the PCI bus while a single master retains ownership of \overline{LOCK} . Note that the CardBus signal for this protocol is \overline{CBLOCK} to avoid confusion with the bus clock.

An agent may need to do an exclusive operation because a critical access to memory might be broken into several transactions, but the master wants exclusive rights to a region of memory. The granularity of the lock is defined by PCI to be 16 bytes, aligned. The \overline{LOCK} protocol defined by the *PCI Local Bus Specification* allows a resource lock without interfering with nonexclusive real-time data transfer, such as video.

The PCI bus arbiter may be designed to support only complete bus locks using the \overline{LOCK} protocol. In this scenario, the arbiter does not grant the bus to any other agent (other than the \overline{LOCK} master) while \overline{LOCK} is asserted. A

complete bus lock may have a significant impact on the performance of the video. The arbiter that supports complete bus LOCK must grant the bus to the cache to perform a writeback due to a snoop to a modified line when a locked operation is in progress.

The PCI7510 device supports all LOCK protocols associated with PCI-to-PCI bridges, as also defined for PCI-to-CardBus bridges. This includes disabling write posting while a locked operation is in progress, which can solve a potential deadlock when using devices such as PCI-to-PCI bridges. The potential deadlock can occur if a CardBus target supports delayed transactions and blocks access to the target until it completes a delayed read. This target characteristic is prohibited by the *PCI Local Bus Specification*, and the issue is resolved by the PCI master using LOCK.

3.5.3 Serial EEPROM I²C Bus

The PCI7510 device offers many choices for modes of operation, and these choices are selected by programming several configuration registers. For system board applications, these registers are normally programmed through the BIOS routine. For add-in card and docking-station/port-replicator applications, the PCI7510 device provides a two-wire inter-integrated circuit (IIC or I²C) serial bus for use with an external serial EEPROM.

The PCI7510 device is always the bus master, and the EEPROM is always the slave. Either device can drive the bus low, but neither device drives the bus high. The high level is achieved through the use of pullup resistors on the SCL and SDA signal lines. The PCI7510 device is always the source of the clock signal, SCL.

System designers who wish to load register values with a serial EEPROM must use a pullup resistor on the SCL terminal. If the PCI7510 device detects a logic-high level on the SCL terminal at the end of GRST, then it initiates incremental reads from the external EEPROM. Any size serial EEPROM up to the I²C limit of 16 Kbits can be used, but only the first 67 bytes (from offset 00h to offset 42h) are required to configure the PCI7510 device. Figure 3–3 shows a 2-Kbit serial EEPROM application.

In addition to loading configuration data from an EEPROM, the PCI7510 I²C bus can be used to read and write from other I²C serial devices. A system designer can control the I²C bus, using the PCI7510 device as bus master, by reading and writing PCI configuration registers. Setting bit 3 (SBDETECT) in the serial bus control/status register (PCI offset B3h, see Section 4.50) causes the PCI7510 device to route the SDA and SCL signals to the SDA and SCL terminals, respectively. The read/write data, slave address, and byte addresses are manipulated by accessing the serial bus data, serial bus index, and serial bus slave address registers (PCI offsets B0h, B1h, and B2h; see Sections 4.47, 4.48, and 4.49, respectively).

EEPROM interface status information is communicated through the serial bus control and status register (PCI offset B3h, see Section 4.50). Bit 2 (EEDETECT) in this register indicates whether or not the PCI7510 serial ROM circuitry detects the pullup resistor on SCL. Any undefined condition, such as a missing acknowledge, results in bit 1 (DATAERR) being set. Bit 0 (EEBUSY) is set while the subsystem ID register is loading (serial ROM interface is busy).

The subsystem vendor ID for functions 2 and 3 is also loaded through SEEPROM. The SEEPROM load data goes to all four functions from the serial EEPROM loader.

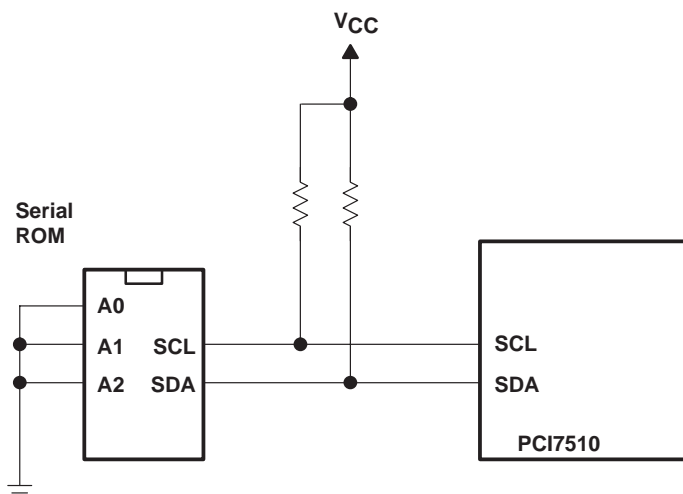


Figure 3–3. Serial ROM Application

3.5.4 Loading CardBus (Function 0) Subsystem Identification

The subsystem vendor ID register (PCI offset 40h, see Section 4.27) and subsystem ID register (PCI offset 42h, see Section 4.28) make up a doubleword of PCI configuration space for function 0. This doubleword register is used for system and option card (mobile dock) identification purposes and is required by some operating systems. Implementation of this unique identifier register is a *PC 99/PC 2001* requirement.

The PCI7510 device offers two mechanisms to load a read-only value into the subsystem registers. The first mechanism relies upon the system BIOS providing the subsystem ID value. The default access mode to the subsystem registers is read-only, but can be made read/write by setting bit 5 (SUBSYSRW) in the system control register (PCI offset 80h, see Section 4.30). Once this bit is set, the BIOS can write a subsystem identification value into the registers at PCI offset 40h. The BIOS must clear the SUBSYSRW bit such that the subsystem vendor ID register and subsystem ID register is limited to read-only access. This approach saves the added cost of implementing the serial electrically erasable programmable ROM (EEPROM).

In some conditions, such as in a docking environment, the subsystem vendor ID register and subsystem ID register must be loaded with a unique identifier via a serial EEPROM. The PCI7510 device loads the data from the serial EEPROM after a reset of the primary bus. Note that the $\overline{\text{SUSPEND}}$ input gates the PCI reset from the entire PCI7510 core, including the serial-bus state machine (see Section 3.9.6, *Suspend Mode*, for details on using $\overline{\text{SUSPEND}}$).

The PCI7510 device provides a two-line serial-bus host controller that can interface to a serial EEPROM. See Section 3.7, *Serial EEPROM Interface*, for details on the two-wire serial-bus controller and applications.

3.5.4.1 Function 2 Subsystem Identification

The subsystem identification register is used for system and option card identification purposes. This register can be initialized from the serial EEPROM or programmed via the subsystem access register at offset F8h in the PCI configuration space (see Section 7.25, *Subsystem Access Register*). See Table 7–22 for a complete description of the register contents.

Write access to the subsystem access register updates the subsystem identification registers identically to OHCI-Lynx™. The system ID value written to this register may also be read back from this register. See Table 7–22 for a complete description of the register contents.

3.5.4.2 Function 3 Subsystem Identification

The subsystem identification register is used for system and option card identification purposes. This register can be initialized from the serial EEPROM or programmed via the subsystem access register at offset F8h in the PCI

configuration space (see Section 11.25, *Subsystem Access Register*). See Table 11–9 for a complete description of the register contents.

3.6 PC Card Applications

The PCI7510 device supports all the PC Card features and applications as described below.

- Card insertion/removal and recognition per the *PC Card Standard* (release 8.0)
- Zoomed video support
- Speaker and audio applications
- LED socket activity indicators
- PC Card controller programming model
- CardBus socket registers

3.6.1 PC Card Insertion/Removal and Recognition

The *PC Card Standard* (release 8.0) addresses the card-detection and recognition process through an interrogation procedure that the socket must initiate on card insertion into a cold, nonpowered socket. Through this interrogation, card voltage requirements and interface (16-bit versus CardBus) are determined.

The scheme uses the card-detect and voltage-sense signals. The configuration of these four terminals identifies the card type and voltage requirements of the PC Card interface.

3.6.2 Low Voltage CardBus Card Detection

The card detection logic of the PCI7510 device includes the detection of Cardbus cards with $V_{CC} = 3.3\text{ V}$ and $V_{PP} = 1.8\text{ V}$. The reporting of the 1.8-V CardBus card ($V_{CC} = 3.3\text{ V}$, $V_{PP} = 1.8\text{ V}$) is reported through the socket present state register as follows based on bit 10 (12V_SW_SEL) in the general control register (PCI offset 86h, see Section 4.31):

- If the 12V_SW_SEL bit is 0 (TPS2221 is used), then the 1.8-V CardBus card causes the 3VCARD bit in the socket present state register to be set.
- If the 12V_SW_SEL bit is 1 (TPS2211A is used), then the 1.8-V CardBus card causes the XVCARD bit in the socket present state register to be set.

3.6.3 Card Detection

The *PC Card Standard* addresses the card detection and recognition process through an interrogation procedure that the socket must initiate upon card insertion into a cold, unpowered socket. Through this interrogation, card voltage requirements and interface type (16-bit vs. CardBus) are determined. The scheme uses the CD1, CD2, VS1, and VS2 signals (CCD1, CCD2, CVS1, CVS2 for CardBus). A PC Card designer connects these four terminals in a certain configuration to indicate the type of card and its supply voltage requirements. The encoding scheme for this, defined in the *PC Card Standard*, is shown in Table 3–2.

Table 3–2. PC Card—Card Detect and Voltage Sense Connections

$\overline{\text{CD2}}/\overline{\text{CCD2}}$	$\overline{\text{CD1}}/\overline{\text{CCD1}}$	$\overline{\text{VS2}}/\overline{\text{CVS2}}$	$\overline{\text{VS1}}/\overline{\text{CVS1}}$	Key	Interface	VCC	VPP/VCORE
Ground	Ground	Open	Open	5 V	16-bit PC Card	5 V	Per CIS (V _{PP})
Ground	Ground	Open	Ground	5 V	16-bit PC Card	5 V and 3.3 V	Per CIS (V _{PP})
Ground	Ground	Ground	Ground	5 V	16-bit PC Card	5 V, 3.3 V, and X.X V	Per CIS (V _{PP})
Ground	Ground	Open	Ground	LV	16-bit PC Card	3.3 V	Per CIS (V _{PP})
Ground	Connect to CVS1	Open	Connect to CCD1	LV	CardBus PC Card	3.3 V	Per CIS (V _{PP})
Ground	Ground	Ground	Ground	LV	16-bit PC Card	3.3 V and X.X V	Per CIS (V _{PP})
Connect to CVS2	Ground	Connect to CCD2	Ground	LV	CardBus PC Card	3.3 V and X.X V	Per CIS (V _{PP})
Connect to CVS1	Ground	Ground	Connect to CCD2	LV	CardBus PC Card	3.3 V, X.X V, and Y.Y V	Per CIS (V _{PP})
Ground	Ground	Ground	Open	LV	16-bit PC Card	X.X V	Per CIS (V _{PP})
Connect to CVS2	Ground	Connect to CCD2	Open	LV	CardBus PC Card	3.3 V	1.8 V (V _{CORE})
Ground	Connect to CVS2	Connect to CCD1	Open	LV	CardBus PC Card	X.X V and Y.Y V	Per CIS (V _{PP})
Connect to CVS1	Ground	Open	Connect to CCD2	LV	CardBus PC Card	Y.Y V	Per CIS (V _{PP})
Ground	Connect to CVS1	Ground	Connect to CCD1		Reserved		Reserved
Ground	Connect to CVS2	Connect to CCD1	Ground		Reserved		Reserved

3.6.4 Power Switch Interface

The power switch interface of the PCI7510 device is a 4-pin parallel interface. This 4-pin interface is implemented such that the PCI7510 device can connect to both the TPS2211A and TPS2221 power switches. Bit 10 (12V_SW_SEL) in the general control register (PCI offset 86h, see Section 4.31) selects the power switch that is implemented. The PCI7510 device defaults to use the control logic for the TPS2221 power switch. See Table 3–3 and Table 3–4 below for the power switch control logic.

Table 3–3. TPS2221 Control Logic

VD0/VCCD1	VD1/VCCD0	VD2/VPPD1	VD3/VPPD0	VCC	VPP/VCORE
0	0	0	0	0 V	0 V
0	0	0	1	Hi-Z	Hi-Z
0	0	1	0	Hi-Z	Hi-Z
0	0	1	1	Hi-Z	Hi-Z
0	1	0	0	3.3 V	0 V
0	1	0	1	3.3 V	3.3 V
0	1	1	0	3.3 V	5 V
0	1	1	1	3.3 V	1.8 V
1	0	0	0	5 V	0 V
1	0	0	1	5 V	3.3 V
1	0	1	0	5 V	5 V
1	0	1	1	5 V	1.8 V
1	1	0	0	Hi-Z	Hi-Z
1	1	0	1	3.3 V	Hi-Z
1	1	1	0	5 V	Hi-Z
1	1	1	1	Hi-Z	Hi-Z

Table 3–4. TPS2211A Control Logic

VD0/VCCD1	VD1/VCCD0	VD2/VPPD1	VD3/VPPD0	VCC	VPP/VCORE
0	0	0	0	0 V	0 V
0	0	0	1	0 V	12 V
0	0	1	0	0 V	0 V
0	0	1	1	0 V	Hi-Z
0	1	0	0	3.3 V	0 V
0	1	0	1	3.3 V	12 V
0	1	1	0	3.3 V	3.3 V
0	1	1	1	3.3 V	Hi-Z
1	0	0	0	5 V	0 V
1	0	0	1	5 V	12 V
1	0	1	0	5 V	5 V
1	0	1	1	5 V	Hi-Z
1	1	0	0	0 V	0 V
1	1	0	1	0 V	12 V
1	1	1	0	0 V	0 V
1	1	1	1	0 V	Hi-Z

3.6.5 Zoomed Video Support

The PCI7510 device allows for the implementation of zoomed video (ZV) for PC Cards. Zoomed video is supported by setting bit 6 (ZVENABLE) in the card control register (PCI offset 91h, see Section 4.38) on a per-socket function basis. Setting this bit puts 16-bit PC Card address lines A25–A4 of the PC Card interface in the high-impedance state. These lines can then transfer video and audio data directly to the appropriate controller. Card address lines A3–A0 can still access PC Card CIS registers for PC Card configuration. Figure 3–4 illustrates a PCI7510 ZV implementation.

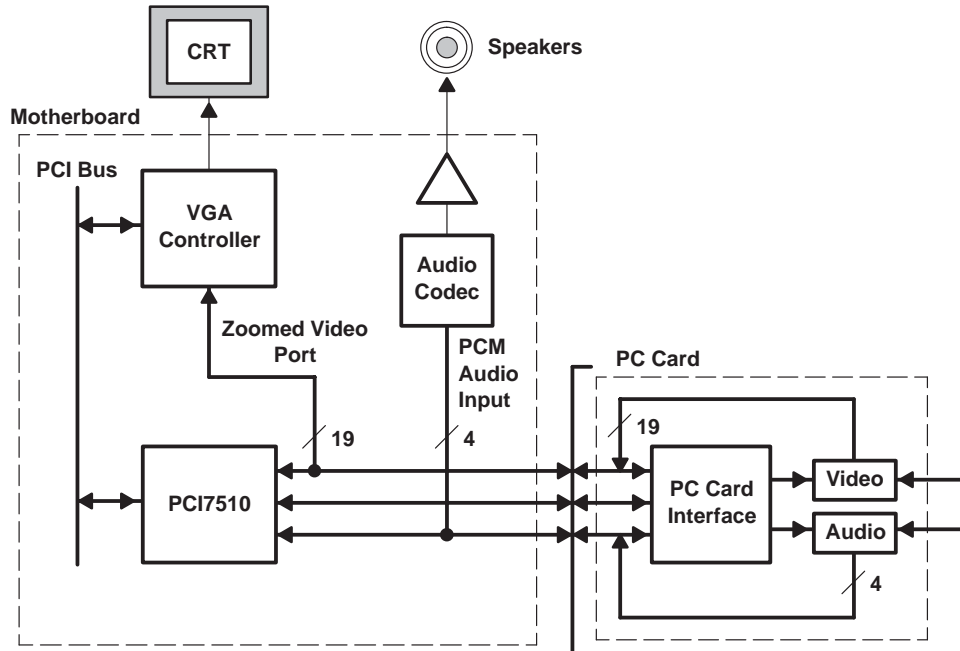


Figure 3-4. Zoomed Video Implementation Using the PCI7510 Device

Not shown in Figure 3-4 is the multiplexing scheme used to route the socket ZV source to the graphics controller. The PCI7510 device provides $ZVSTAT$ and $\overline{ZVSEL0}$ signals on the multifunction terminals to switch external bus drivers. Figure 3-5 shows an implementation for switching between two ZV streams using external logic.

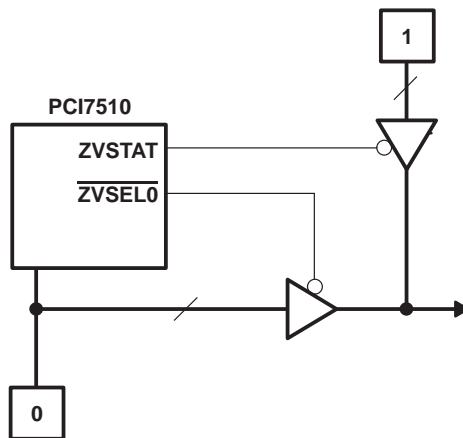


Figure 3-5. Zoomed Video Switching Application

Figure 3-5 illustrates an implementation using standard three-state bus drivers with active-low output enables. $\overline{ZVSEL0}$ is an active-low output indicating that the CardBus socket ZV mode is enabled. Table 3-5 illustrates the functionality of the ZV output signals.

Table 3–5. Functionality of the ZV Output Signals

INPUTS		OUTPUTS	
PORTSEL	SOCKET ENABLE	$\overline{\text{ZVSEL0}}$	ZVSTAT
X	0	1	0
0	1	0	1
0	0	1	1
1	X	1	1
1	1	0	1

3.6.6 Standardized Zoomed-Video Register Model

The standardized zoomed-video register model is defined for the purpose of standardizing the ZV port control for PC Card controllers across the industry. The following list summarizes the standardized zoomed-video register model changes to the existing PC Card register set.

- Socket present state register (CardBus socket address + 08h, see Section 6.3)
Bit 27 (ZVSUPPORT) has been added. The platform BIOS can set this bit via the socket force event register (CardBus socket address + 0Ch, see Section 6.4) to define whether zoomed video is supported on that socket by the platform.
- Socket force event register (CardBus socket address + 0Ch, see Section 6.4)
Bit 27 (FZVSUPPORT) has been added. The platform BIOS can use this bit to set bit 27 (ZVSUPPORT) in the socket present state register (CardBus socket address + 08h, see Section 6.3) to define whether zoomed video is supported on that socket by the platform.
- Socket control register (CardBus socket address + 10h, see Section 6.5)
Bit 11 (ZV_ACTIVITY) has been added. This bit is set when zoomed video is enabled for either of the PC Card sockets.

Bit 10 (STANDARDZVREG) has been added. This bit defines whether the PC Card controller supports the standardized zoomed-video register model.

Bit 9 (ZVEN) is provided for software to enable or disable zoomed video, per socket.

If the ZV_EN bit (bit 0) in the diagnostic register (PCI offset 93h, see Section 4.40) is 1, then the standardized zoomed video register model is disabled. For backward compatibility, even if the ZV_EN bit is 0 (enabled), the PCI7510 device allows software to access zoomed video through the legacy address in the card control register (PCI offset 91h, see Section 4.38), or through the new register model in the socket control register (CardBus socket address + 10h, see Section 6.5).

3.6.7 Internal Ring Oscillator

The internal ring oscillator provides an internal clock source for the PCI7510 device so that neither the PCI clock nor an external clock is required in order for the PCI7510 device to power down a socket or interrogate a PC Card. This internal oscillator, operating nominally at 16 kHz, is always enabled.

3.6.8 Integrated Pullup Resistors for PC Card Interface

The *PC Card Standard* requires pullup resistors on various terminals to support both CardBus and 16-bit PC Card configurations. Table 3–6 lists these terminals. The PCI7510 device has integrated all of these pullup resistors and requires no additional external components. The I/O buffer on the BVD1($\overline{\text{STSCHG}}$)/CSTSCHG terminal has the capability to switch to an internal pullup resistor when a 16-bit PC Card is inserted, or switch to an internal pulldown resistor when a CardBus card is inserted. This prevents inadvertent CSTSCHG events.

Table 3–6. Terminals With Integrated Pullup Resistors

SIGNAL NAME	TERMINAL NUMBER		SIGNAL NAME	TERMINAL NUMBER	
	PDV	GHK		PDV	GHK
A14 // $\overline{\text{CPERR}}$	154	F15	CD2 // $\overline{\text{CCD2}}$	187	C09
A15 // $\overline{\text{CIRDY}}$	160	F13	$\overline{\text{INPACK}}$ // $\overline{\text{CREQ}}$	173	B12
A19 // $\overline{\text{CBLOCK}}$	153	E18	READY // $\overline{\text{CINT}}$	182	C10
A20 // $\overline{\text{CSTOP}}$	155	E17	RESET // $\overline{\text{CRST}}$	169	B13
A21 // $\overline{\text{CDEVSEL}}$	157	A16	$\overline{\text{VS1}}$ // CVS1	181	B10
A22 // $\overline{\text{CTRDY}}$	159	E14	$\overline{\text{VS2}}$ // CVS2	167	F12
BVD1($\overline{\text{STSCHG}}$ / $\overline{\text{RI}}$) // $\overline{\text{CSTSCHG}}$	185	A09	$\overline{\text{WAIT}}$ // $\overline{\text{CSERR}}$	183	E10
BVD2($\overline{\text{SPKR}}$) // CAUDIO	184	F10	WP($\overline{\text{IOIS16}}$) // $\overline{\text{CCLKRUN}}$	186	B09
CD1 // $\overline{\text{CCD1}}$	125	L17			

3.6.9 SPKROUT and CAUDPWM Usage

The SPKROUT terminal carries the digital audio signal from the PC Card to the system. When a 16-bit PC Card is configured for I/O mode, the BVD2 terminal becomes the SPKR input terminal from the card. This terminal, in CardBus applications, is referred to as CAUDIO. SPKR passes a TTL-level binary audio signal to the PCI7510 device. The CardBus CAUDIO signal also can pass a single-amplitude binary waveform as well as a PWM signal. The binary audio signal from each PC Card sockets is enabled by bit 1 (SPKROUTEN) of the card control register (PCI offset 91h, see Section 4.38).

Older controllers support CAUDIO in binary or PWM mode but use the same output terminal (SPKROUT). Some audio chips may not support both modes on one terminal and may have a separate terminal for binary and PWM. The PCI7510 implementation includes a signal for PWM, CAUDPWM, which can be routed to an MFUNC terminal. Bit 2 (AUD2MUX), located in the card control register, is programmed to route a CardBus CAUDIO PWM terminal to CAUDPWM. See Section 4.36, *Multifunction Routing Register*, for details on configuring the MFUNC terminals.

Figure 3–6 illustrates the SPKROUT connection.

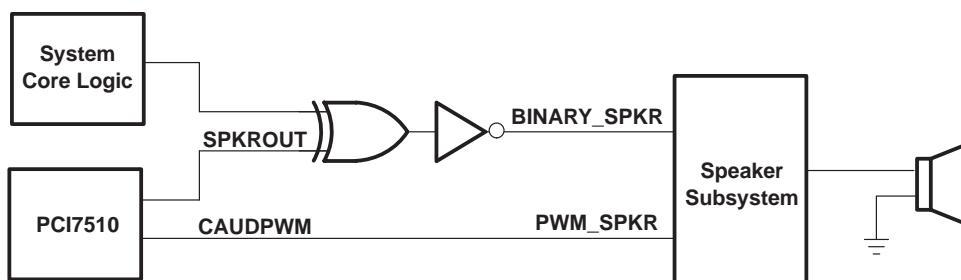


Figure 3–6. SPKROUT Connection to Speaker Driver

3.6.10 LED Socket Activity Indicators

The socket activity LEDs are provided to indicate when a PC Card is being accessed. The LEDA1 signal can be routed to the multifunction terminals. When configured for LED output, this terminal outputs an active high signal to indicate socket activity. The LED_SKT output indicates socket activity to the CardBus socket. See Section 4.36, *Multifunction Routing Status Register*, for details on configuring the multifunction terminals.

The active-high LED signal is driven for 64 ms. When the LED is not being driven high, it is driven to a low state. Either of the two circuits shown in Figure 3–7 can be implemented to provide LED signaling, and the board designer must implement the circuit that best fits the application.

The LED activity signals are valid when a card is inserted, powered, and not in reset. For PC Card-16, the LED activity signals are pulsed when $\overline{\text{READY}}$ ($\overline{\text{IREQ}}$) is low. For CardBus cards, the LED activity signals are pulsed if $\overline{\text{CFRAME}}$, $\overline{\text{IRDY}}$, or $\overline{\text{CREQ}}$ are active.

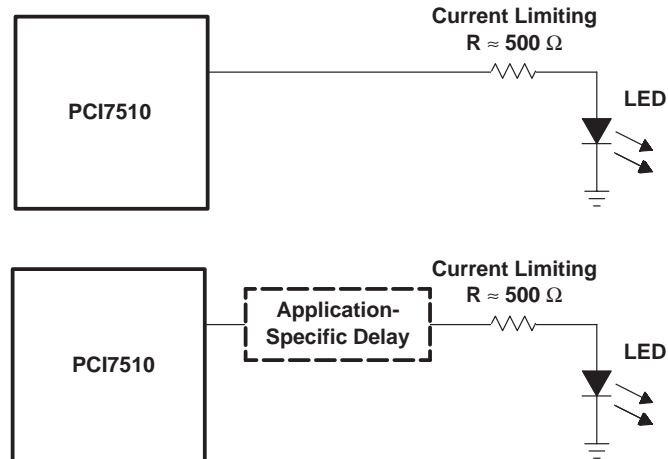


Figure 3-7. Two Sample LED Circuits

As indicated, the LED signals are driven for a period of 64 ms by a counter circuit. To avoid the possibility of the LEDs appearing to be stuck when the PCI clock is stopped, the LED signaling is cut off when the $\overline{\text{SUSPEND}}$ signal is asserted, when the PCI clock is to be stopped during the clock run protocol, or when in the D2 or D1 power state.

If any additional socket activity occurs during this counter cycle, then the counter is reset and the LED signal remains driven. If socket activity is frequent (at least once every 64 ms), then the LED signals remain driven.

3.6.11 CardBus Socket Registers

The PCI7510 device contains all registers for compatibility with the *PCI Local Bus Specification* and the *PC Card Standard*. These registers, which exist as the CardBus socket registers, are listed in Table 3-7.

Table 3-7. CardBus Socket Registers

REGISTER NAME	OFFSET
Socket event	00h
Socket mask	04h
Socket present state	08h
Socket force event	0Ch
Socket control	10h
Reserved	14h-1Ch
Socket power management	20h

3.6.12 PCI Firmware Loading Function Programming Model

Function 3 of the PCI7510 device is a firmware loader function. This function provides an I/O window that a software driver uses to load the PCI7510 firmware into the internal RAM. A simplified method of operation follows:

1. $\overline{\text{GRST}}$ assertions reset the internal RAM and the function 3 firmware loader.
2. While loading the firmware, the controller holds the Smart Card core in reset.
3. The firmware loading software driver interfaces to function 3 and loads the firmware.
4. The software driver indicates load completion to the Smart Card core via bit 2 (DONE) of the firmware loader control register (offset 04h, see Section 3.6.12.2) in the function 3 I/O window.

The software driver that interfaces with PCI function 3 of the PCI7510 device loads the firmware into the program RAM via the allocated I/O window for that function. Two I/O addresses are allocated, and these are used to load firmware to the PCI7510 program RAM. The functionality of these I/O registers is listed in Table 3-8.

Table 3–8. Firmware Loader I/O Register Map

REGISTER NAME	OFFSET
Data/address	00h
Firmware loader control	04h

3.6.12.1 Data/Address Register

When bit 3 (ADDR_RST) is set in the firmware loader control register (offset 04h, see Section 3.6.12.2), the next data written to this register is a doubleword that specifies the start address of the next block of internal RAM to be loaded. When the doubleword of address information is written to this field, the ADDR_RST bit is automatically cleared and the following writes to this register represent the internal RAM data. Because the internal RAM in the PCI7510 device is 16 bits wide, the internal RAM data written to this register is written one word at a time. The internal RAM address is autoincremented after each word of internal RAM data is written to this location. It is appropriate to buffer requests to the internal RAM and retry PCI writes to this register when the buffer is full. If the firmware loader is unable to update the RAM, then a PCI slave retry time-out occurs, data is lost, and bit 0 (ERR) in the control register is set.

Bit	31	30	29	28	27	26	25	24	23	22	21	20	19	18	17	16
Name	Data address															
Type	RW	RW	RW	RW	RW	RW	RW	RW	RW	RW	RW	RW	RW	RW	RW	RW
Default	1	1	1	1	1	1	1	1	1	1	1	1	1	1	1	1
Bit	15	14	13	12	11	10	9	8	7	6	5	4	3	2	1	0
Name	Data address															
Type	RW	RW	RW	RW	RW	RW	RW	RW	RW	RW	RW	RW	RW	RW	RW	RW
Default	1	1	1	1	1	1	1	1	1	1	1	1	1	1	1	1

Register: **Data address**
 Offset: 00h
 Type: Read/Write
 Default: FFFF FFFFh

3.6.12.2 Firmware Loader Control Register

This register contains various control and status bits for the firmware loader. Bit descriptions are given in Table 3–9.

Bit	31	30	29	28	27	26	25	24	23	22	21	20	19	18	17	16
Name	Firmware loader control															
Type	R	R	R	R	R	R	R	R	R	R	R	R	R	R	R	R
Default	0	0	0	0	0	0	0	0	0	0	0	0	0	0	0	0
Bit	15	14	13	12	11	10	9	8	7	6	5	4	3	2	1	0
Name	Firmware loader control															
Type	R	R	R	R	R	R	R	R	R	R	R	R	W	RW	R	RU
Default	0	0	0	0	0	0	0	0	0	0	0	0	0	0	0	0

Register: **Firmware loader control**
 Offset: 04h
 Type: Read-only, Write-only, Read/Update, Read/Write
 Default: 0000 0000h

Table 3–9. Firmware Loader Control Register Description

BIT	SIGNAL	TYPE	FUNCTION
31–4	RSVD	R	Reserved. These bits are read-only and return 0s when read.
3	ADDR_RST	W	Address reset. When set, this bit indicates that the next data written to the data/address register will be a doubleword that specifies the start address of the next block of internal RAM to be loaded. This bit is self-cleared when the address is written to the data/address register.
2	DONE	R/W	RAM load done. Setting this bit to 1 indicates to the firmware loader function that the firmware loading is complete for the RAM selected by the address written when ADDR_RST was set, and embedded controllers can begin accessing the RAM.
1	RSVD	R	Reserved. This bit is read-only and returns 0 when read.
0	ERR	RU	When set, this bit indicates that there was an error during the loading of the internal RAM. This field indicates all loading errors. Software must check this bit after loading each RAM to ensure that the data was loaded successfully. This bit is cleared by a read of this register.

3.7 Serial EEPROM Interface

The PCI7510 device has a dedicated serial bus interface that can be used with an EEPROM to load certain registers in the PCI7510 device. The EEPROM is detected by a pullup resistor on the SCL terminal. See Table 3–11 for the EEPROM loading map.

3.7.1 Serial-Bus Interface Implementation

The PCI7510 device drives SCL at nearly 100 kHz during data transfers, which is the maximum specified frequency for standard mode I²C. The serial EEPROM must be located at address A0h.

Some serial device applications may include PC Card power switches, ZV source switches, card ejectors, or other devices that may enhance the user's PC Card experience. The serial EEPROM device and PC Card power switches are discussed in the sections that follow.

3.7.2 Accessing Serial-Bus Devices Through Software

The PCI7510 device provides a programming mechanism to control serial bus devices through software. The programming is accomplished through a doubleword of PCI configuration space at offset B0h. Table 3–10 lists the registers used to program a serial-bus device through software.

Table 3–10. PCI7510 Registers Used to Program Serial-Bus Devices

PCI OFFSET	REGISTER NAME	DESCRIPTION
B0h	Serial-bus data	Contains the data byte to send on write commands or the received data byte on read commands.
B1h	Serial-bus index	The content of this register is sent as the word address on byte writes or reads. This register is not used in the quick command protocol.
B2h	Serial-bus slave address	Write transactions to this register initiate a serial-bus transaction. The slave device address and the R/W command selector are programmed through this register.
B3h	Serial-bus control and status	Read data valid, general busy, and general error status are communicated through this register. In addition, the protocol-select bit is programmed through this register.

3.7.3 Serial-Bus Interface Protocol

The SCL and SDA signals are bidirectional, open-drain signals and require pullup resistors as shown in Figure 3–3. The PCI7510 device, which supports up to 100-Kb/s data-transfer rate, is compatible with standard mode I²C using 7-bit addressing.

All data transfers are initiated by the serial bus master. The beginning of a data transfer is indicated by a start condition, which is signaled when the SDA line transitions to the low state while SCL is in the high state, as shown in Figure 3–8. The end of a requested data transfer is indicated by a stop condition, which is signaled by a low-to-high

transition of SDA while SCL is in the high state, as shown in Figure 3–8. Data on SDA must remain stable during the high state of the SCL signal, as changes on the SDA signal during the high state of SCL are interpreted as control signals, that is, a start or a stop condition.

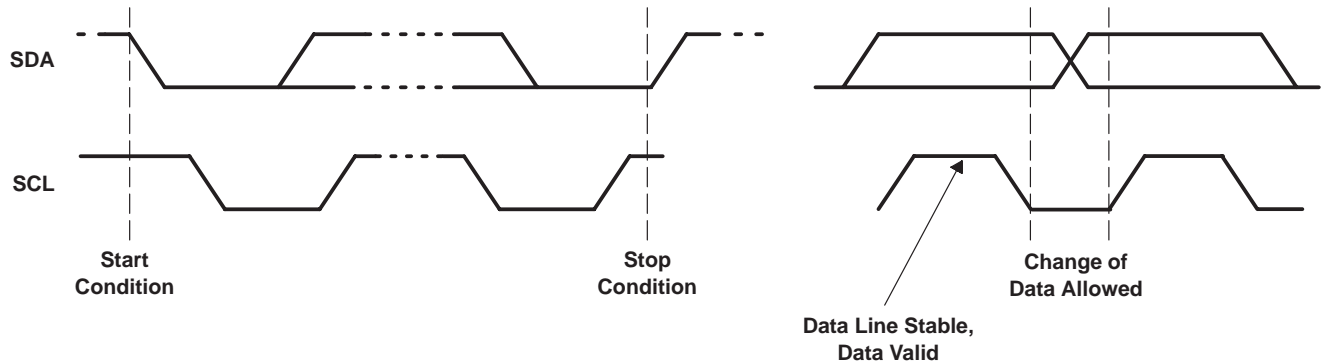


Figure 3–8. Serial-Bus Start/Stop Conditions and Bit Transfers

Data is transferred serially in 8-bit bytes. The number of bytes that may be transmitted during a data transfer is unlimited; however, each byte must be completed with an acknowledge bit. An acknowledge (ACK) is indicated by the receiver pulling the SDA signal low, so that it remains low during the high state of the SCL signal. Figure 3–9 illustrates the acknowledge protocol.

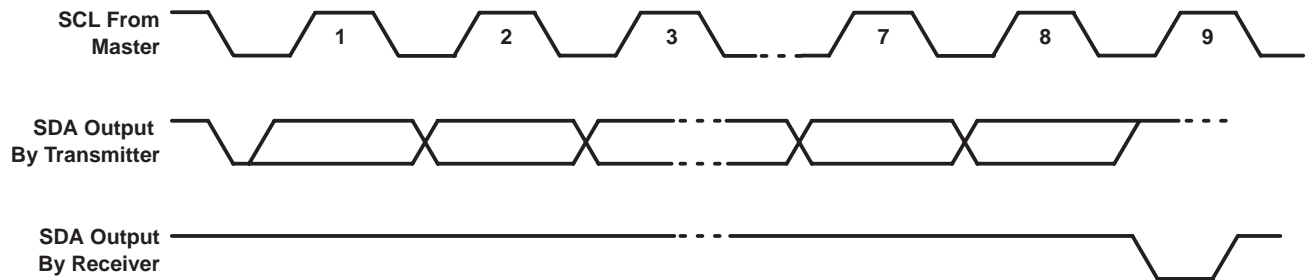


Figure 3–9. Serial-Bus Protocol Acknowledge

The PCI7510 device is a serial bus master; all other devices connected to the serial bus external to the PCI7510 device are slave devices. As the bus master, the PCI7510 device drives the SCL clock at nearly 100 kHz during bus cycles and places SCL in a high-impedance state (zero frequency) during idle states.

Typically, the PCI7510 device masters byte reads and byte writes under software control. Doubleword reads are performed by the serial EEPROM initialization circuitry upon a PCI reset and may not be generated under software control. See Section 3.7.4, *Serial-Bus EEPROM Application*, for details on how the PCI7510 device automatically loads the subsystem identification and other register defaults through a serial-bus EEPROM.

Figure 3–10 illustrates a byte write. The PCI7510 device issues a start condition and sends the 7-bit slave device address and the command bit zero. A 0 in the R/\overline{W} command bit indicates that the data transfer is a write. The slave device acknowledges if it recognizes the address. If no acknowledgment is received by the PCI7510 device, then an appropriate status bit is set in the serial-bus control/status register (PCI offset B3h, see Section 4.50). The word address byte is then sent by the PCI7510 device, and another slave acknowledgment is expected. Then the PCI7510 device delivers the data byte MSB first and expects a final acknowledgment before issuing the stop condition.

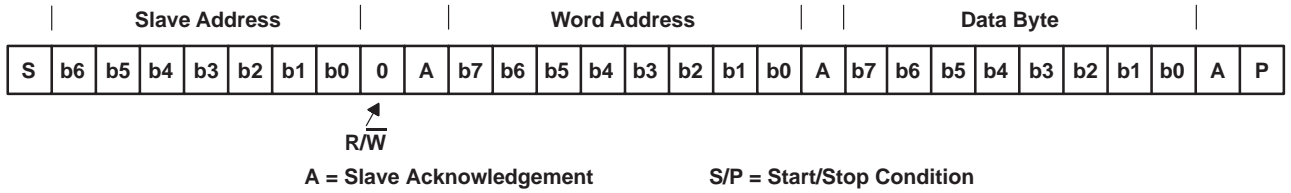


Figure 3–10. Serial-Bus Protocol—Byte Write

Figure 3–11 illustrates a byte read. The read protocol is very similar to the write protocol, except the $\overline{R/W}$ command bit must be set to 1 to indicate a read-data transfer. In addition, the PCI7510 master must acknowledge reception of the read bytes from the slave transmitter. The slave transmitter drives the SDA signal during read data transfers. The SCL signal remains driven by the PCI7510 master.

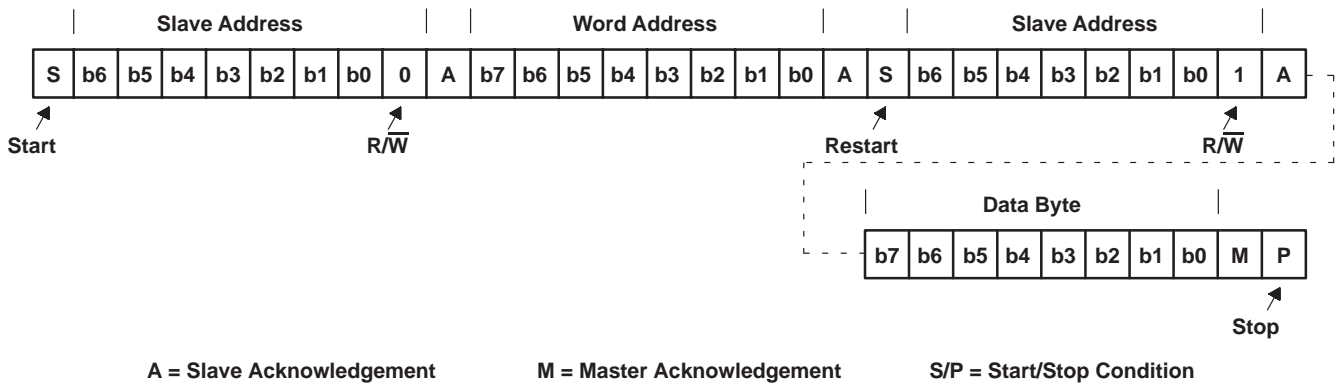


Figure 3–11. Serial-Bus Protocol—Byte Read

Figure 3–12 illustrates EEPROM interface doubleword data collection protocol.

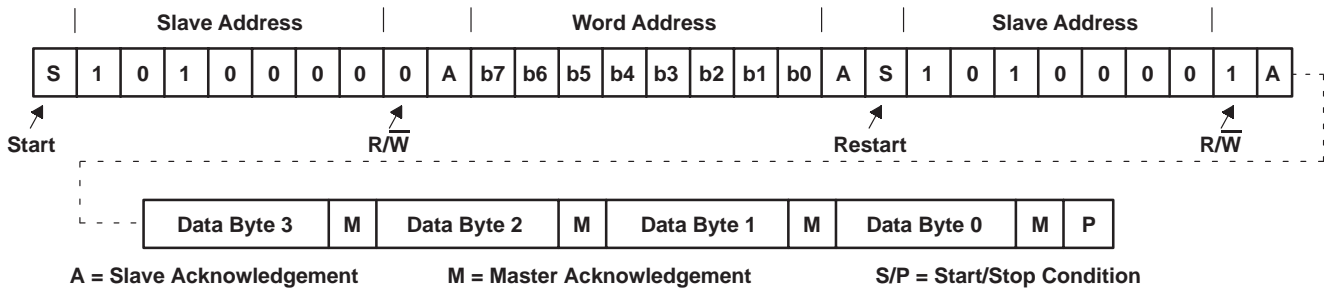


Figure 3–12. EEPROM Interface Doubleword Data Collection

3.7.4 Serial-Bus EEPROM Application

When the PCI bus is reset and the serial-bus interface is detected, the PCI7510 device attempts to read the subsystem identification and other register defaults from a serial EEPROM.

This format must be followed for the PCI7510 device to load initializations from a serial EEPROM. All bit fields must be considered when programming the EEPROM.

The serial EEPROM is addressed at slave address 1010 000b by the PCI7510 device. All hardware address bits for the EEPROM must be tied to the appropriate level to achieve this address. The serial EEPROM chip in the sample application (Figure 3–12) assumes the 1010b high-address nibble. The lower three address bits are terminal inputs to the chip, and the sample application shows these terminal inputs tied to GND.

Table 3–11. EEPROM Loading Map

SERIAL ROM OFFSET	BYTE DESCRIPTION							
00h	CardBus function indicator (00h)							
01h	Number of bytes (20h)							
02h	PCI 04h, command register, function 0, bits 8, 6–5, 2–0							
	[7] Command register, bit 8	[6] Command register, bit 6	[5] Command register, bit 5	[4:3] RSVD	[2] Command register, bit 2	[1] Command register, bit 1	[0] Command register, bit 0	
03h	PCI 04h, command register, function 1, bits 8, 6–5, 2–0							
	[7] Command register, bit 8	[6] Command register, bit 6	[5] Command register, bit 5	[4:3] RSVD	[2] Command register, bit 2	[1] Command register, bit 1	[0] Command register, bit 0	
04h	PCI 40h, subsystem vendor ID, byte 0							
05h	PCI 41h, subsystem vendor ID, byte 1							
06h	PCI 42h, subsystem ID, byte 0							
07h	PCI 43h, subsystem ID, byte 1							
08h	PCI 44h, PC Card 16-bit I/F legacy mode base address register, byte 0, bits 7–1							
09h	PCI 45h, PC Card 16-bit I/F legacy mode base address register, byte 1							
0Ah	PCI 46h, PC Card 16-bit I/F legacy mode base address register, byte 2							
0Bh	PCI 47h, PC Card 16-bit I/F legacy mode base address register, byte 3							
0Ch	PCI 80h, system control, function 0, byte 0, bits 6–0							
0Dh	PCI 80h, system control, function 1, byte 0, bit 2							
0Eh	PCI 81h, system control, byte 1							
0Fh	Reserved load all 0s (PCI 82h, system control, byte 2)							
10h	PCI 83h, system control, byte 3							
11h	PCI 8Ch, MFUNC routing, byte 0							
12h	PCI 8Dh, MFUNC routing, byte 1							
13h	PCI 8Eh, MFUNC routing, byte 2							
14h	PCI 8Fh, MFUNC routing, byte 3							
15h	PCI 90h, retry status, bits 7, 6							
16h	PCI 91h, card control, bit 7							
17h	PCI 92h, device control, bits 6, 5, 3–0							
18h	PCI 93h, diagnostic, bits 7, 4–0							
19h	PCI A2h, power-management capabilities, function 0, bit 15 (bit 7 of EEPROM offset 16h corresponds to bit 15)							
1Ah	PCI A2h, power-management capabilities, function 1, bit 15 (bit 7 of EEPROM offset 16h corresponds to bit 15)							
1Bh	CB Socket + 0Ch, function 0 socket force event, bit 27 (bit 3 of EEPROM offset 17h corresponds to bit 27)							
1Ch	CB Socket + 0Ch, function 1 socket force event, bit 27 (bit 3 of EEPROM offset 18h corresponds to bit 27)							
1Dh	ExCA 00h, ExCA identification and revision, bits 7–0							
1Eh	PCI 86h, general control, byte 0, bits 5, 4, 3, 1, 0							
1Fh	PCI 87h, general control, byte 1, bits 4–2							

Table 3–11. EEPROM Loading Map (Continued)

SERIAL ROM OFFSET	BYTE DESCRIPTION					
20h	PCI 89h, \overline{GPE} enable, bits 7, 6, 4–0					
21h	PCI 8Bh, general-purpose output, bits 4–0					
22h	1394 OHCI function indicator (02h)					
23h	Number of bytes (17h)					
24h	PCI 3Fh, maximum latency bits 7–4			PCI 3Eh, minimum grant, bits 3–0		
25h	PCI 2Ch, subsystem vendor ID, byte 0					
26h	PCI 2Dh, subsystem vendor ID, byte 1					
27h	PCI 2Eh, subsystem ID, byte 0					
28h	PCI 2Fh, subsystem ID, byte 1					
29h	PCI F4h, Link_Enh, byte 0, bits 7, 2, 1 OHCI 50h, host controller control, bit 23					
	[7] Link_Enh. enab_unfair	[6] HCControl.Program Phy Enable	[5:3] RSVD	[2] Link_Enh, bit 2	[1] Link_Enh. enab_accel	[0] RSVD
2Ah	Mini-ROM address, this byte indicates the MINI ROM offset into the EEPROM 00h = No MINI ROM Other Values = MINI ROM offset					
2Bh	OHCI 24h, GUIDHi, byte 0					
2Ch	OHCI 25h, GUIDHi, byte 1					
2Dh	OHCI 26h, GUIDHi, byte 2					
2Eh	OHCI 27h, GUIDHi, byte 3					
2Fh	OHCI 28h, GUIDLo, byte 0					
30h	OHCI 29h, GUIDLo, byte 1					
31h	OHCI 2Ah, GUIDLo, byte 2					
32h	OHCI 2Bh, GUIDLo, byte 3					
33h	Checksum (Reserved—no bit loaded)					
34h	PCI F5h, Link_Enh, byte 1, bits 7, 6, 5, 4					
35h	PCI F0h, PCI miscellaneous, byte 0, bits 5, 4, 2, 1, 0					
36h	PCI F1h, PCI miscellaneous, byte 1, bits 7, 3, 2, 1, 0					
37h	Reserved					
38h	Reserved (CardBus CIS pointer)					
39h	Reserved					
3Ah	PCI ECh, PCI PHY control, bits 7, 3, 1					
3Bh	Firmware loader function indicator (03h)					
3Ch	Number of bytes (05h)					
3Dh	PCI 2Ch, subsystem vendor ID, byte 0					
3Eh	PCI 2Dh, subsystem vendor ID, byte 1					
3Fh	PCI 2Eh, subsystem ID, byte 0					
40h	PCI 2Fh, subsystem ID, byte 1					
41h	PCI 50h, miscellaneous control, bit 0					
42h	End-of-list indicator (80h)					

3.8 Programmable Interrupt Subsystem

Interrupts provide a way for I/O devices to let the microprocessor know that they require servicing. The dynamic nature of PC Cards and the abundance of PC Card I/O applications require substantial interrupt support from the PCI7510 device. The PCI7510 device provides several interrupt signaling schemes to accommodate the needs of a variety of platforms. The different mechanisms for dealing with interrupts in this device are based on various specifications and industry standards. The ExCA register set provides interrupt control for some 16-bit PC Card functions, and the CardBus socket register set provides interrupt control for the CardBus PC Card functions. The PCI7510 device is, therefore, backward compatible with existing interrupt control register definitions, and new registers have been defined where required.

The PCI7510 device detects PC Card interrupts and events at the PC Card interface and notifies the host controller using one of several interrupt signaling protocols. To simplify the discussion of interrupts in the PCI7510 device, PC Card interrupts are classified either as card status change (CSC) or as functional interrupts.

The method by which any type of PCI7510 interrupt is communicated to the host interrupt controller varies from system to system. The PCI7510 device offers system designers the choice of using parallel PCI interrupt signaling, parallel ISA-type IRQ interrupt signaling, or the IRQSER serialized ISA and/or PCI interrupt protocol. It is possible to use the parallel PCI interrupts in combination with either parallel IRQs or serialized IRQs, as detailed in the sections that follow. All interrupt signaling is provided through the seven multifunction terminals, MFUNC0–MFUNC6.

3.8.1 PC Card Functional and Card Status Change Interrupts

PC Card functional interrupts are defined as requests from a PC Card application for interrupt service and are indicated by asserting specially-defined signals on the PC Card interface. Functional interrupts are generated by 16-bit I/O PC Cards and by CardBus PC Cards.

Card status change (CSC)-type interrupts are defined as events at the PC Card interface that are detected by the PCI7510 device and may warrant notification of host card and socket services software for service. CSC events include both card insertion and removal from PC Card sockets, as well as transitions of certain PC Card signals.

Table 3–12 summarizes the sources of PC Card interrupts and the type of card associated with them. CSC and functional interrupt sources are dependent on the type of card inserted in the PC Card socket. The four types of cards that can be inserted into any PC Card socket are:

- 16-bit memory card
- 16-bit I/O card
- CardBus cards
- Smart Card

Table 3–12. Interrupt Mask and Flag Registers

CARD TYPE	EVENT	MASK	FLAG
16-bit memory	Battery conditions (BVD1, BVD2)	ExCA offset 05h/45h/805h bits 1 and 0	ExCA offset 04h/44h/804h bits 1 and 0
	Wait states (READY)	ExCA offset 05h/45h/805h bit 2	ExCA offset 04h/44h/804h bit 2
16-bit I/O	Change in card status (\overline{STSCHG})	ExCA offset 05h/45h/805h bit 0	ExCA offset 04h/44h/804h bit 0
16-bit I/O	Interrupt request (\overline{IREQ})	Always enabled	PCI configuration offset 91h bit 0
All 16-bit PC Cards	Power cycle complete	ExCA offset 05h/45h/805h bit 3	ExCA offset 04h/44h/804h bit 3
CardBus	Change in card status (CSTSCHG)	Socket mask bit 0	Socket event bit 0
	Interrupt request (\overline{CINT})	Always enabled	PCI configuration offset 91h bit 0
	Power cycle complete	Socket mask bit 3	Socket event bit 3
	Card insertion or removal	Socket mask bits 2 and 1	Socket event bits 2 and 1

Functional interrupt events are valid only for 16-bit I/O and CardBus cards; that is, the functional interrupts are not valid for 16-bit memory cards. Furthermore, card insertion and removal-type CSC interrupts are independent of the card type.

Table 3–13. PC Card Interrupt Events and Description

CARD TYPE	EVENT	TYPE	SIGNAL	DESCRIPTION
16-bit memory	Battery conditions (BVD1, BVD2)	CSC	$BVD1(\overline{STSCHG})//CSTSCHG$	A transition on BVD1 indicates a change in the PC Card battery conditions.
			$BVD2(\overline{SPKR})//CAUDIO$	A transition on BVD2 indicates a change in the PC Card battery conditions.
	Wait states (READY)	CSC	$READY(\overline{IREQ})//\overline{CINT}$	A transition on READY indicates a change in the ability of the memory PC Card to accept or provide data.
16-bit I/O	Change in card status (STSCHG)	CSC	$BVD1(\overline{STSCHG})//CSTSCHG$	The assertion of \overline{STSCHG} indicates a status change on the PC Card.
16-bit I/O	Interrupt request (IREQ)	Functional	$READY(\overline{IREQ})//\overline{CINT}$	The assertion of \overline{IREQ} indicates an interrupt request from the PC Card.
CardBus	Change in card status (CSTSCHG)	CSC	$BVD1(\overline{STSCHG})//CSTSCHG$	The assertion of CSTSCHG indicates a status change on the PC Card.
	Interrupt request (CINT)	Functional	$READY(\overline{IREQ})//\overline{CINT}$	The assertion of \overline{CINT} indicates an interrupt request from the PC Card.
All PC Cards	Card insertion or removal	CSC	$\overline{CD1}/\overline{CCD1}, \overline{CD2}/\overline{CCD2}$	A transition on either $\overline{CD1}/\overline{CCD1}$ or $\overline{CD2}/\overline{CCD2}$ indicates an insertion or removal of a 16-bit or CardBus PC Card.
	Power cycle complete	CSC	N/A	An interrupt is generated when a PC Card power-up cycle has completed.

The naming convention for PC Card signals describes the function for 16-bit memory, I/O cards, and CardBus. For example, $READY(\overline{IREQ})//\overline{CINT}$ includes READY for 16-bit memory cards, \overline{IREQ} for 16-bit I/O cards, and \overline{CINT} for CardBus cards. The 16-bit memory card signal name is first, with the I/O card signal name second, enclosed in parentheses. The CardBus signal name follows after a double slash (/).

The *1997 PC Card Standard* describes the power-up sequence that must be followed by the PCI7510 device when an insertion event occurs and the host requests that the socket V_{CC} and V_{PP} be powered. Upon completion of this power-up sequence, the PCI7510 interrupt scheme can be used to notify the host system (see Table 3–13), denoted by the power cycle complete event. This interrupt source is considered a PCI7510 internal event, because it depends on the completion of applying power to the socket rather than on a signal change at the PC Card interface.

3.8.2 Interrupt Masks and Flags

Host software may individually mask (or disable) most of the potential interrupt sources listed in Table 3–13 by setting the appropriate bits in the PCI7510 device. By individually masking the interrupt sources listed, software can control those events that cause a PCI7510 interrupt. Host software has some control over the system interrupt the PCI7510 device asserts by programming the appropriate routing registers. The PCI7510 device allows host software to route PC Card CSC and PC Card functional interrupts to separate system interrupts. Interrupt routing somewhat specific to the interrupt signaling method used is discussed in more detail in the following sections.

When an interrupt is signaled by the PCI7510 device, the interrupt service routine must determine which of the events listed in Table 3–12 caused the interrupt. Internal registers in the PCI7510 device provide flags that report the source of an interrupt. By reading these status bits, the interrupt service routine can determine the action to be taken.

Table 3–12 details the registers and bits associated with masking and reporting potential interrupts. All interrupts can be masked except the functional PC Card interrupts, and an interrupt status flag is available for all types of interrupts.

Notice that there is not a mask bit to stop the PCI7510 device from passing PC Card functional interrupts through to the appropriate interrupt scheme. These interrupts are not valid until the card is properly powered, and there must never be a card interrupt that does not require service after proper initialization.

Table 3–12 lists the various methods of clearing the interrupt flag bits. The flag bits in the ExCA registers (16-bit PC Card-related interrupt flags) can be cleared using two different methods. One method is an explicit write of 1 to the flag bit to clear and the other is by reading the flag bit register. The selection of flag bit clearing methods is made by

bit 2 (IFCMODE) in the ExCA global control register (ExCA offset 1Eh/5Eh/81Eh, see Section 5.20), and defaults to the flag-cleared-on-read method.

The CardBus-related interrupt flags can be cleared by an explicit write of 1 to the interrupt flag in the socket event register (see Section 6.1). Although some of the functionality is shared between the CardBus registers and the ExCA registers, software must not program the chip through both register sets when a CardBus card is functioning.

3.8.3 Using Parallel IRQ Interrupts

The seven multifunction terminals, MFUNC6–MFUNC0, implemented in the PCI7510 device can be routed to obtain a subset of the ISA IRQs. The IRQ choices provide ultimate flexibility in PC Card host interruptions. To use the parallel ISA-type IRQ interrupt signaling, software must program the device control register (PCI offset 92h, see Section 4.39), to select the parallel IRQ signaling scheme. See Section 4.36, *Multifunction Routing Status Register*, for details on configuring the multifunction terminals.

A system using parallel IRQs requires (at a minimum) one PCI terminal, $\overline{\text{INTA}}$, to signal CSC events. This requirement is dictated by certain card and socket-services software. The $\overline{\text{INTA}}$ requirement calls for routing the MFUNC0 terminal for $\overline{\text{INTA}}$ signaling. The INTRTIE bit is used, in this case, to route socket interrupt events to $\overline{\text{INTA}}$. This leaves (at a maximum) six different IRQs to support legacy 16-bit PC Card functions.

As an example, suppose the six IRQs used by legacy PC Card applications are IRQ3, IRQ4, IRQ5, IRQ10, IRQ11, and IRQ15. The multifunction routing status register must be programmed to a value of 0FBA 5432h. This value routes the MFUNC0 terminal to $\overline{\text{INTA}}$ signaling and routes the remaining terminals as illustrated in Figure 3–13. Not shown is that $\overline{\text{INTA}}$ must also be routed to the programmable interrupt controller (PIC), or to some circuitry that provides parallel PCI interrupts to the host.

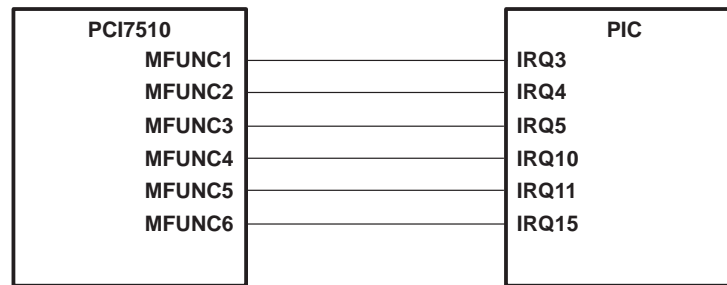


Figure 3–13. IRQ Implementation

Power-on software is responsible for programming the multifunction routing status register to reflect the IRQ configuration of a system implementing the PCI7510 device. The multifunction routing status register is a global register that is shared between the four PCI7510 functions. See Section 4.36, *Multifunction Routing Status Register*, for details on configuring the multifunction terminals.

The parallel ISA-type IRQ signaling from the MFUNC6–MFUNC0 terminals is compatible with the input signal requirements of the 8259 PIC. The parallel IRQ option is provided for system designs that require legacy ISA IRQs. Design constraints may demand more MFUNC6–MFUNC0 IRQ terminals than the PCI7510 device makes available.

3.8.4 Using Parallel PCI Interrupts

Parallel PCI interrupts are available when exclusively in parallel PCI interrupt/parallel ISA IRQ signaling mode, and when only IRQs are serialized with the IRQSER protocol. The $\overline{\text{INTA}}$, $\overline{\text{INTB}}$, and $\overline{\text{INTC}}$ can be routed to MFUNC terminals (MFUNC0, MFUNC1, and MFUNC2). If bit 29 (INTRTIE) is set in the system control register (PCI offset 80h, see Section 4.30), function 0 and function 1 share PCI $\overline{\text{INTA}}$.

The INTRTIE and TIEALL bits affect the read-only value provided through accesses to the interrupt pin register (PCI offset 3Dh, see Section 4.25). When the TIEALL bit is set, all three functions return a value of 01h on reads from the interrupt pin register for both parallel and serial PCI interrupts. Table 3–14 summarizes the interrupt signaling modes.

Table 3–14. Interrupt Pin Register Cross Reference

INTRTIE Bit	TIEALL Bit	INTPIN Function 0 (CardBus)	INTPIN Function 1 (Dedicated Socket)	INTPIN Function 2 (1394 OHCI)
0	0	0x01 ($\overline{\text{INTA}}$)	0x02 ($\overline{\text{INTB}}$)	0x03 ($\overline{\text{INTC}}$)
1	0	0x01 ($\overline{\text{INTA}}$)	0x01 ($\overline{\text{INTA}}$)	0x03 ($\overline{\text{INTC}}$)
X	1	0x01 ($\overline{\text{INTA}}$)	0x01 ($\overline{\text{INTA}}$)	0x01 ($\overline{\text{INTA}}$)

3.8.5 Using Serialized IRQSER Interrupts

The serialized interrupt protocol implemented in the PCI7510 device uses a single terminal to communicate all interrupt status information to the host controller. The protocol defines a serial packet consisting of a start cycle, multiple interrupt indication cycles, and a stop cycle. All data in the packet is synchronous with the PCI clock. The packet data describes 16 parallel ISA IRQ signals and the optional 4 PCI interrupts $\overline{\text{INTA}}$, $\overline{\text{INTB}}$, $\overline{\text{INTC}}$, and $\overline{\text{INTD}}$. For details on the IRQSER protocol, refer to the document *Serialized IRQ Support for PCI Systems*.

3.8.6 SMI Support in the PCI7510 Device

The PCI7510 device provides a mechanism for interrupting the system when power changes have been made to the PC Card socket interfaces. The interrupt mechanism is designed to fit into a system maintenance interrupt (SMI) scheme. SMI interrupts are generated by the PCI7510 device, when enabled, after a write cycle to either the socket control register (CB offset 10h, see Section 6.5) of the CardBus register set, or the ExCA power control register (ExCA offset 02h/42h/802h, see Section 5.3) causes a power cycle change sequence to be sent on the power switch interface.

The SMI control is programmed through three bits in the system control register (PCI offset 80h, see Section 4.30). These bits are SMIRROUTE (bit 26), SMISTATUS (bit 25), and SMIENB (bit 24). Table 3–15 describes the SMI control bits function.

Table 3–15. SMI Control

BIT NAME	FUNCTION
SMIRROUTE	This shared bit controls whether the SMI interrupts are sent as a CSC interrupt or as IRQ2.
SMISTAT	This socket dependent bit is set when an SMI interrupt is pending. This status flag is cleared by writing back a 1.
SMIENB	When set, SMI interrupt generation is enabled. This bit is shared by functions 0 and 1.

If CSC SMI interrupts are selected, then the SMI interrupt is sent as the CSC on a per-socket basis. The CSC interrupt can be either level or edge mode, depending upon the CSCMODE bit in the ExCA global control register (ExCA offset 1Eh/5Eh/81Eh, see Section 5.20).

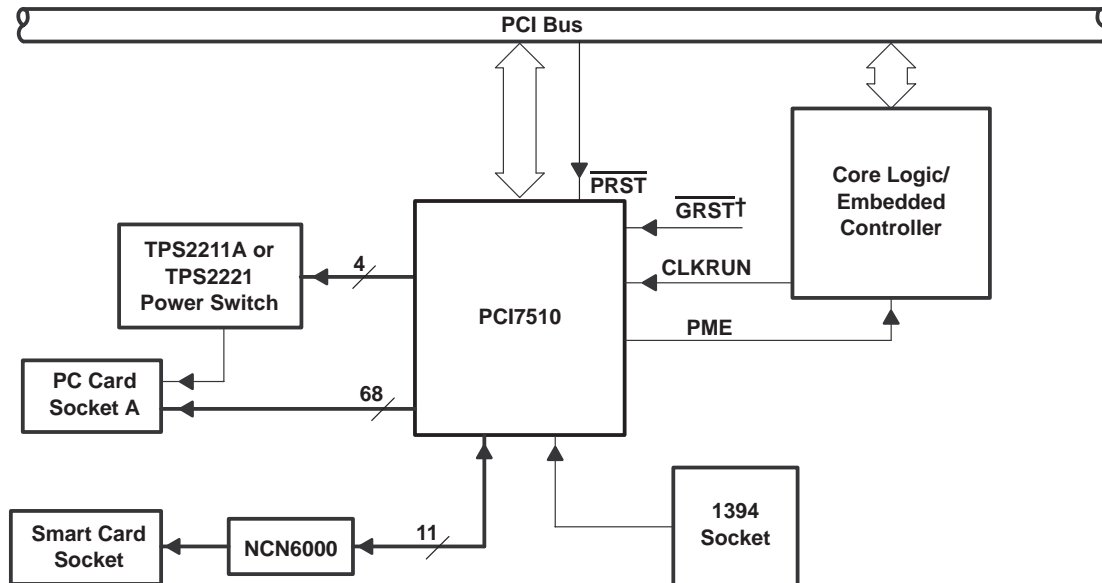
If IRQ2 is selected by SMIRROUTE, then the IRQSER signaling protocol supports SMI signaling in the IRQ2 IRQ/Data slot. In a parallel ISA IRQ system, the support for an active low IRQ2 is provided only if IRQ2 is routed to either MFUNC3 or MFUNC6 through the multifunction routing status register (PCI offset 8Ch, see Section 4.36).

3.9 Power Management Overview

In addition to the low-power CMOS technology process used for the PCI7510 device, various features are designed into the device to allow implementation of popular power-saving techniques. These features and techniques are as follows:

- Clock run protocol
- Cardbus PC Card power management
- 16-bit PC Card power management
- Suspend mode
- Ring indicate
- PCI power management

- Cardbus bridge power management
- ACPI support



† The system connection to $\overline{\text{GRST}}$ is implementation-specific. $\overline{\text{GRST}}$ must be asserted on initial power up of the PCI7510 device. $\overline{\text{PRST}}$ must be asserted for subsequent warm resets.

Figure 3–14. System Diagram Implementing CardBus Device Class Power Management

3.9.1 1394 Power Management (Function 2)

The PCI7510 device complies with *PCI Bus Power Management Interface Specification*. The device supports the D0 (uninitialized), D0 (active), D1, D2, and D3 power states as defined by the power-management definition in the *1394 Open Host Controller Interface Specification*, Appendix A.4 and *PCI Bus Power Management Specification*. $\overline{\text{PME}}$ is supported to provide notification of wake events. Per Section A.4.2, the 1394 OHCI sets PMCSR.PME_STS in the D0 state due to unmasked interrupt events. In previous OHCI implementations, unmasked interrupt events were interpreted as (IntEvent.n && IntMask.n && IntMask.masterIntEnable), where n represents a specific interrupt event. Based on feedback from Microsoft this implementation may cause problems with the existing Windows power-management architecture as a $\overline{\text{PME}}$ and an interrupt could be simultaneously signaled on a transition from the D1 to D0 state where interrupts were enabled to generate wake events. If bit 10 (ignore_mstrIntEna_for_pme) in the PCI miscellaneous configuration register (OHCI offset F0h, see Section 7.23) is set, then the PCI7510 device implements the preferred behavior as (IntEvent.n && IntMask.n). Otherwise, the PCI7510 device implements the preferred behavior as (IntEvent.n && IntMask.n && IntMask.masterIntEnable). In addition, when the ignore_mstrIntEna_for_pme bit is set, it causes bit 26 of the OHCI vendor ID register (OHCI offset 40h, see Section 8.15) to read 1, otherwise, bit 26 reads 0. An open drain buffer is used for $\overline{\text{PME}}$.

3.9.2 Integrated Low-Dropout Voltage Regulator (LDO-VR)

The PCI7510 device requires 1.8-V core voltage. The core power can be supplied by the PCI7510 device itself using the internal LDO-VR. The core power can alternatively be supplied by an external power supply through the VR_PORT terminal. Table 3–16 lists the requirements for both the internal core power supply and the external core power supply.

Table 3–16. Requirements for Internal/External 1.8-V Core Power Supply

SUPPLY	V _{CC}	$\overline{\text{VR}}_{\text{EN}}$	VR_PORT	NOTE
Internal	3.3 V	GND	1.8-V output	Internal 1.8-V LDO-VR is enabled. A 1.0- μF bypass capacitor is required on the VR_PORT terminal for decoupling. This output is not for external use.
External	3.3 V	V _{CC}	1.8-V input	Internal 1.8-V LDO-VR is disabled. An external 1.8-V power supply, of minimum 50-mA capacity, is required. A 0.1- μF bypass capacitor on the VR_PORT terminal is required.

3.9.3 CardBus (Function 0) Clock Run Protocol

The PCI $\overline{\text{CLKRUN}}$ feature is the primary method of power management on the PCI interface of the PCI7510 device. $\overline{\text{CLKRUN}}$ signaling is provided through the MFUNC6 terminal. Since some chip sets do not implement $\overline{\text{CLKRUN}}$, this is not always available to the system designer, and alternate power-saving features are provided. For details on the $\overline{\text{CLKRUN}}$ protocol see the *PCI Mobile Design Guide*.

The PCI7510 device does not permit the central resource to stop the PCI clock under any of the following conditions:

- Bit 1 (KEEPCLK) in the system control register (PCI offset 80h, see Section 4.30) is set.
- The 16-bit PC Card resource manager is busy.
- The PCI7510 CardBus master state machine is busy. A cycle may be in progress on CardBus.
- The PCI7510 master is busy. There may be posted data from CardBus to PCI in the PCI7510 device.
- Interrupts are pending.
- The CardBus CCLK for the socket has not been stopped by the PCI7510 $\overline{\text{CCLKRUN}}$ manager.
- Bit 0 (KEEP_PCLK) in the miscellaneous configuration register (PCI offset F0h, see Section 7.23) is set.
- The 1394 resource manager is busy.
- The PCI7610 1394 master state machine is busy. A cycle may be in progress on 1394.
- The PCI7610 master is busy. There may be posted data from the 1394 bus to PCI in the PCI7610 device.
- Interrupts are pending.
- The 1394 bus is not idle.

The PCI7510 device restarts the PCI clock using the $\overline{\text{CLKRUN}}$ protocol under any of the following conditions:

- A 16-bit PC Card $\overline{\text{IREQ}}$ or a CardBus $\overline{\text{CINT}}$ has been asserted by either card.
- A CardBus CBWAKE (CSTSCHG) or 16-bit PC Card $\overline{\text{STSCHG/RI}}$ event occurs in the socket.
- A CardBus attempts to start the CCLK using $\overline{\text{CCLKRUN}}$.
- A CardBus card arbitrates for the CardBus bus using $\overline{\text{CREQ}}$.
- A 1394 device changes the status of the twisted pair lines from idle to active.

3.9.4 CardBus PC Card Power Management

The PCI7510 device implements its own card power-management engine that can turn off the CCLK to a socket when there is no activity to the CardBus PC Card. The PCI clock-run protocol is followed on the CardBus $\overline{\text{CCLKRUN}}$ interface to control this clock management.

3.9.5 16-Bit PC Card Power Management

The COE bit (bit 7) of the ExCA power control register (ExCA offset 02h/42h/802h, see Section 5.3) and PWRDWN bit (bit 0) of the ExCA global control register (ExCA offset 1Eh/5Eh/81Eh, see Section 5.20) are provided for 16-bit PC Card power management. The COE bit places the card interface in a high-impedance state to save power. The power savings when using this feature are minimal. The COE bit resets the PC Card when used, and the PWRDWN bit does not. Furthermore, the PWRDWN bit is an automatic COE, that is, the PWRDWN performs the COE function when there is no card activity.

NOTE: The 16-bit PC Card must implement the proper pullup resistors for the COE and PWRDWN modes.

3.9.6 Suspend Mode

The $\overline{\text{SUSPEND}}$ signal, provided for backward compatibility, gates the $\overline{\text{PRST}}$ (PCI reset) signal and the $\overline{\text{GRST}}$ (global reset) signal from the PCI7510 device. Besides gating $\overline{\text{PRST}}$ and $\overline{\text{GRST}}$, $\overline{\text{SUSPEND}}$ also gates PCLK inside the PCI7510 device in order to minimize power consumption.

It should also be noted that asynchronous signals, such as card status change interrupts and $\overline{\text{RI_OUT}}$, can be passed to the host system without a PCI clock. However, if card status change interrupts are routed over the serial interrupt stream, then the PCI clock must be restarted in order to pass the interrupt, because neither the internal oscillator nor

an external clock is routed to the serial-interrupt state machine. Figure 3–15 is a signal diagram of the suspend function.

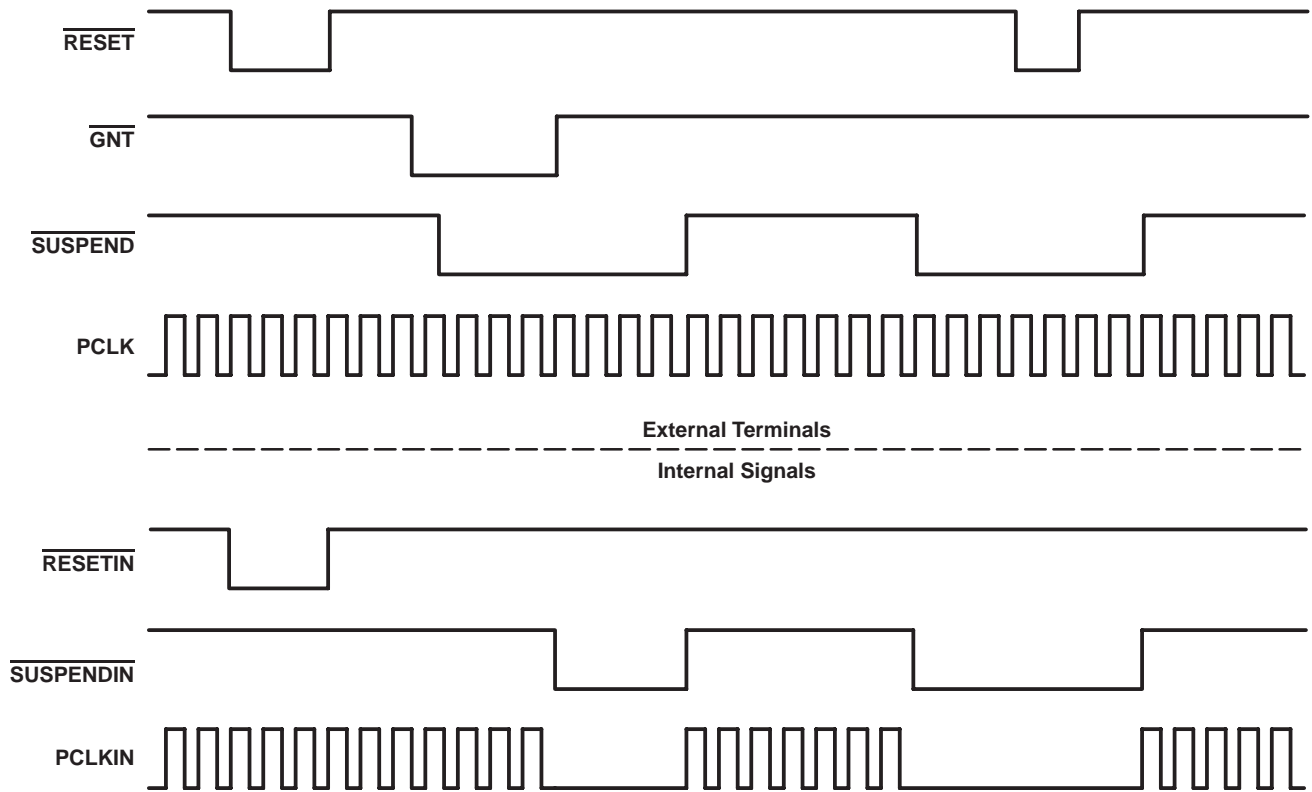


Figure 3–15. Signal Diagram of Suspend Function

3.9.7 Requirements for Suspend Mode

The suspend mode prevents the clearing of all register contents on the assertion of reset ($\overline{\text{PRST}}$ or $\overline{\text{GRST}}$) which would require the reconfiguration of the PCI7510 device by software. Asserting the $\overline{\text{SUSPEND}}$ signal places the PCI outputs of the controller in a high-impedance state and gates the PCLK signal internally to the controller unless a PCI transaction is currently in process ($\overline{\text{GNT}}$ is asserted). It is important that the PCI bus not be parked on the PCI7510 device when $\overline{\text{SUSPEND}}$ is asserted because the outputs are in a high-impedance state.

The GPIOs, MFUNC signals, and $\overline{\text{RI_OUT}}$ signal are all active during $\overline{\text{SUSPEND}}$, unless they are disabled in the appropriate PCI7510 registers.

3.9.8 Ring Indicate

The $\overline{\text{RI_OUT}}$ output is an important feature in power management, allowing a system to go into a suspended mode and wake-up on modem rings and other card events. TI-designed flexibility permits this signal to fit wide platform requirements. $\overline{\text{RI_OUT}}$ on the PCI7510 device can be asserted under any of the following conditions:

- A 16-bit PC Card modem in a powered socket asserts $\overline{\text{RI}}$ to indicate to the system the presence of an incoming call.
- A powered down CardBus card asserts CSTSCHG (CBWAKE) requesting system and interface wake-up.
- A powered CardBus card asserts CSTSCHG from the insertion/removal of cards or change in battery voltage levels.

Figure 3–16 shows various enable bits for the PCI7510 $\overline{\text{RI_OUT}}$ function; however, it does not show the masking of CSC events. See Table 3–12 for a detailed description of CSC interrupt masks and flags.

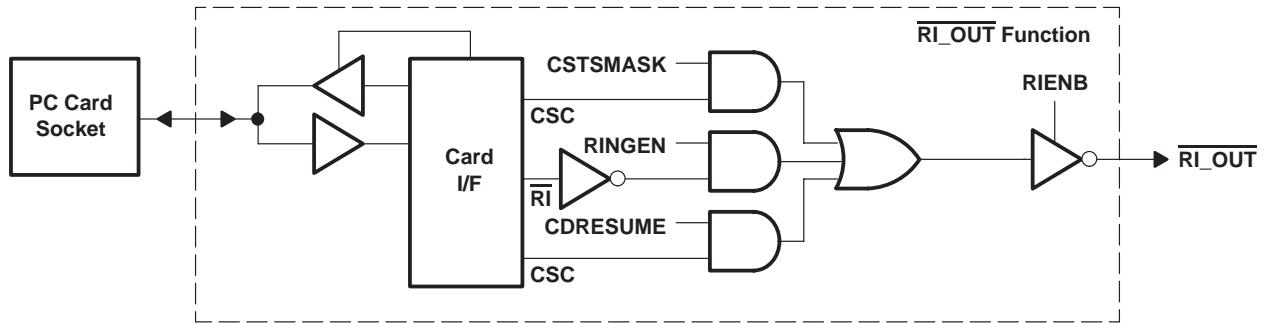


Figure 3-16. $\overline{\text{RI_OUT}}$ Functional Diagram

$\overline{\text{RI}}$ from the 16-bit PC Card interface is masked by bit 7 (RINGEN) in the ExCA interrupt and general control register (ExCA offset 03h/43h/803h, see Section 5.4). This is programmed on a per-socket basis and is only applicable when a 16-bit card is powered in the socket.

The CBWAKE signaling to $\overline{\text{RI_OUT}}$ is enabled through the same mask as the CSC event for CSTSCHG. The mask bit (bit 0, CSTSMASK) is programmed through the socket mask register (CB offset 04h, see Section 6.2) in the CardBus socket registers.

$\overline{\text{RI_OUT}}$ can be routed through any of three different pins, $\overline{\text{RI_OUT/PME}}$, MFUNC2, or MFUNC4. The $\overline{\text{RI_OUT}}$ function is enabled by setting bit 7 (RIENB) in the card control register (PCI offset 91h, see Section 4.38). The $\overline{\text{PME}}$ function is enabled by setting bit 8 (PME_ENABLE) in the power-management control/status register (PCI offset A4h, see Section 4.44). When bit 0 (RIMUX) in the system control register (PCI offset 80h, see Section 4.30) is set to 0, both the $\overline{\text{RI_OUT}}$ function and the $\overline{\text{PME}}$ function are routed to the $\overline{\text{RI_OUT/PME}}$ terminal. If both functions are enabled and RIMUX is set to 0, then the $\overline{\text{RI_OUT/PME}}$ terminal becomes $\overline{\text{RI_OUT}}$ only and $\overline{\text{PME}}$ assertions are never seen. Therefore, in a system using both the $\overline{\text{RI_OUT}}$ function and the $\overline{\text{PME}}$ function, RIMUX must be set to 1 and $\overline{\text{RI_OUT}}$ must be routed to either MFUNC2 or MFUNC4.

3.9.9 PCI Power Management for CardBus (Function 0)

The *PCI Bus Power Management Interface Specification for PCI to CardBus Bridges* establishes the infrastructure required to let the operating system control the power of PCI functions. This is done by defining a standard PCI interface and operations to manage the power of PCI functions on the bus. The PCI bus and the PCI functions can be assigned one of seven power-management states, resulting in varying levels of power savings.

The seven power-management states of PCI functions are:

- D0-uninitialized – Before device configuration, device not fully functional
- D0-active – Fully functional state
- D1 – Low-power state
- D2 – Low-power state
- D3_{hot} – Low-power state. Transition state before D3_{cold}
- D3_{cold} – $\overline{\text{PME}}$ signal-generation capable. Main power is removed and VAUX is available.
- D3_{off} – No power and completely nonfunctional

NOTE 1: In the D0-uninitialized state, the PCI7510 device does not generate $\overline{\text{PME}}$ and/or interrupts. When bits 0 (IO_EN) and 1 (MEM_EN) of the command register (PCI offset 04h, see Section 4.5) are both set, the PCI7510 device switches the state to D0-active. Transition from D3_{cold} to the D0-uninitialized state happens at the deassertion of PRST. The assertion of GRST forces the controller to the D0-uninitialized state immediately.

NOTE 2: The PWR_STATE bits (bits 1–0) of the power-management control/status register (PCI offset A4h, see Section 4.44) only code for four power states, D0, D1, D2, and D3_{hot}. The differences between the three D3 states is invisible to the software because the controller is not accessible in the D3_{cold} or D3_{off} state.

Similarly, bus power states of the PCI bus are B0–B3. The bus power states B0–B3 are derived from the device power state of the originating bridge device.

For the operating system (OS) to manage the device power states on the PCI bus, the PCI function must support four power-management operations. These operations are:

- Capabilities reporting
- Power status reporting
- Setting the power state
- System wake-up

The OS identifies the capabilities of the PCI function by traversing the new capabilities list. The presence of capabilities in addition to the standard PCI capabilities is indicated by a 1 in bit 4 (CAPLIST) of the status register (PCI offset 06h, see Section 4.6).

The capabilities pointer provides access to the first item in the linked list of capabilities. For the PCI7510 device, a CardBus bridge with PCI configuration space header type 2, the capabilities pointer is mapped to an offset of 14h. The first byte of each capability register block is required to be a unique ID of that capability. PCI power management has been assigned an ID of 01h. The next byte is a pointer to the next pointer item in the list of capabilities. If there are no more items in the list, then the next item pointer must be set to 0. The registers following the next item pointer are specific to the capability of the function. The PCI power-management capability implements the register block outlined in Table 3–17.

Table 3–17. Power-Management Registers

REGISTER NAME			OFFSET	
Power-management capabilities		Next item pointer	Capability ID	A0h
Data	Power-management control/status register bridge support extensions	Power-management control/status (CSR)		A4h

The power-management capabilities register (PCI offset A2h, see Section 4.43) is a static read-only register that provides information on the capabilities of the function related to power management. The power-management control/status register (PCI offset A4h, see Section 4.44) enables control of power-management states and enables/monitors power-management events. The data register is an optional register that can provide dynamic data.

For more information on PCI power management, see the *PCI Bus Power Management Interface Specification for PCI to CardBus Bridges*.

3.9.9.1 Function 2 Power Management

The PCI7510 device complies with the *PCI Bus Power Management Interface Specification*. The device supports the D0 (uninitialized), D0 (active), D1, D2, and D3 power states as defined by the power management definition in the *1394 Open Host Controller Interface Specification*, Appendix A4.

Table 3–18. Function 2 Power-Management Registers

REGISTER NAME			OFFSET	
Power-management capabilities		Next item pointer	Capability ID	44h
Data	Power-management control/status register bridge support extensions	Power-management control/status (CSR)		48h

3.9.9.2 Function 3 Power Management

The *PCI Bus Power Management Interface Specification* is applicable for the firmware loader. This function supports the D0 and D3 power states.

Table 3–19. Function 3 Power-Management Registers

REGISTER NAME			OFFSET	
Power-management capabilities		Next item pointer	Capability ID	44h
Data	Power-management control/status register bridge support extensions	Power-management control/status (CSR)		48h

3.9.10 CardBus Bridge Power Management

The *PCI Bus Power Management Interface Specification for PCI to CardBus Bridges* was approved by PCMCIA in December of 1997. This specification follows the device and bus state definitions provided in the *PCI Bus Power*

Management Interface Specification published by the PCI Special Interest Group (SIG). The main issue addressed in the *PCI Bus Power Management Interface Specification for PCI to CardBus Bridges* is wake-up from D3_{hot} or D3_{cold} without losing wake-up context (also called $\overline{\text{PME}}$ context).

The specific issues addressed by the *PCI Bus Power Management Interface Specification for PCI to CardBus Bridges* for D3 wake-up are as follows:

- Preservation of device context. The specification states that a reset must occur during the transition from D3 to D0. Some method to preserve wake-up context must be implemented so that the reset does not clear the $\overline{\text{PME}}$ context registers.
- Power source in D3_{cold} if wake-up support is required from this state.

The Texas Instruments PCI7510 device addresses these D3 wake-up issues in the following manner:

- Two resets are provided to handle preservation of $\overline{\text{PME}}$ context bits:
 - Global reset ($\overline{\text{GRST}}$) is used only on the initial boot up of the system after power up. It places the PCI7510 device in its default state and requires BIOS to configure the device before becoming fully functional.
 - PCI reset ($\overline{\text{PRST}}$) has dual functionality based on whether $\overline{\text{PME}}$ is enabled or not. If $\overline{\text{PME}}$ is enabled, then $\overline{\text{PME}}$ context is preserved. If $\overline{\text{PME}}$ is not enabled, then $\overline{\text{PRST}}$ acts the same as a normal PCI reset. Please see the master list of $\overline{\text{PME}}$ context bits in Section 3.9.12.
- Power source in D3_{cold} if wake-up support is required from this state. Since V_{CC} is removed in D3_{cold}, an auxiliary power source must be supplied to the PCI7510 V_{CC} terminals. Consult the *PCI14xx Implementation Guide for D3 Wake-Up* or the *PCI Power Management Interface Specification for PCI to CardBus Bridges* for further information.

3.9.11 ACPI Support

The *Advanced Configuration and Power Interface (ACPI) Specification* provides a mechanism that allows unique pieces of hardware to be described to the ACPI driver. The PCI7510 device offers a generic interface that is compliant with ACPI design rules.

Two doublewords of general-purpose ACPI programming bits reside in PCI7510 PCI configuration space at offset 88h. The programming model is broken into status and control functions. In compliance with ACPI, the top level event status and enable bits reside in the general-purpose event status register (PCI offset 88h, see Section 4.32) and general-purpose event enable register (PCI offset 89h, see Section 4.33). The status and enable bits are implemented as defined by ACPI and illustrated in Figure 3–17.

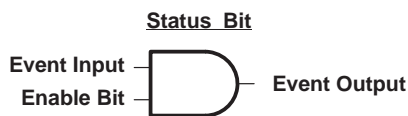


Figure 3–17. Block Diagram of a Status/Enable Cell

The status and enable bits generate an event that allows the ACPI driver to call a control method associated with the pending status bit. The control method can then control the hardware by manipulating the hardware control bits or by investigating child status bits and calling their respective control methods. A hierarchical implementation would be somewhat limiting, however, as upstream devices would have to remain in some level of power state to report events.

For more information of ACPI, see the *Advanced Configuration and Power Interface (ACPI) Specification*.

3.9.12 Master List of $\overline{\text{PME}}$ Context Bits and Global Reset-Only Bits

$\overline{\text{PME}}$ context bit means that the bit is cleared only by the assertion of $\overline{\text{GRST}}$ when the $\overline{\text{PME}}$ enable bit, bit 8 of the power management control/status register (PCI offset A4h, see Section 4.44) is set. If $\overline{\text{PME}}$ is not enabled, then these bits are cleared when either $\overline{\text{PRST}}$ or $\overline{\text{GRST}}$ is asserted.

The $\overline{\text{PME}}$ context bits (functions 0 and 1) are:

- Bridge control register (PCI offset 3Eh, see Section 4.26): bit 6
- System control register (PCI offset 80h, see Section 4.30): bits 10–8
- Power management control/status register (PCI offset A4h, see Section 4.44): bit 15
- ExCA power control register (ExCA 802h/842h, see Section 5.3): bits 7, 5 (82365SL mode only), 4–3, 1–0
- ExCA interrupt and general control (ExCA 803h/843h, see Section 5.4): bits 6, 5
- ExCA card status-change register (ExCA 804h/844h, see Section 5.5): bits 3–0
- ExCA card status-change interrupt configuration register (ExCA 805h/845h, see Section 5.6): bits 3–0
- ExCA card detect and general control register (ExCA 816h, see Section 5.19): bits 7–6
- Socket event register (CardBus offset 00h, see Section 6.1): bits 3–0
- Socket mask register (CardBus offset 04h, see Section 6.2): bits 3–0
- Socket present state register (CardBus offset 08h, see Section 6.3): bits 27, 13–7, 5–1
- Socket control register (CardBus offset 10h, see Section 6.5): bits 6–4, 2–0

Global reset-only bits, as the name implies, are cleared only by $\overline{\text{GRST}}$. These bits are never cleared by $\overline{\text{PRST}}$, regardless of the setting of the $\overline{\text{PME}}$ enable bit. The $\overline{\text{GRST}}$ signal is gated only by the $\overline{\text{SUSPEND}}$ signal. This means that assertion of $\overline{\text{SUSPEND}}$ blocks the $\overline{\text{GRST}}$ signal internally, thus preserving all register contents. Figure 3–14 is a diagram showing the application of $\overline{\text{GRST}}$ and $\overline{\text{PRST}}$.

The global reset-only bits (functions 0 and 1) are:

- Status register (PCI offset 06h, see Section 4.6): bits 15–11, 8
- Secondary status register (PCI offset 16h, see Section 4.15): bits 15–11, 8
- Subsystem vendor ID register (PCI offset 40h, see Section 4.27): bits 15–0
- Subsystem ID register (PCI offset 42h, see Section 4.28): bits 15–0
- PC Card 16-bit I/F legacy-mode base-address register (PCI offset 44h, see Section 4.29): bits 31–0
- System control register (PCI offset 80h, see Section 4.30): bits 31–24, 22–13, 11, 6–0
- General control register (PCI offset 86h, see Section 4.31): bits 15–10, 7, 5–3, 1–0
- General-purpose event status register (PCI offset 88h, see Section 4.32): bits 7–6, 4–0
- General-purpose event enable register (PCI offset 89h, see Section 4.33): bits 7–6, 4–0
- General-purpose output register (PCI offset 8Bh, see Section 4.35): bits 4–0
- Multifunction routing register (PCI offset 8Ch, see Section 4.36): bits 31–0
- Retry status register (PCI offset 90h, see Section 4.37): bits 7–5, 3, 1
- Card control register (PCI offset 91h, see Section 4.38): bits 7–0
- Device control register (PCI offset 92h, see Section 4.39): bits 7–5, 2–0
- Diagnostic register (PCI offset 93h, see Section 4.40): bits 7–0
- Power management capabilities register (PCI offset A2h, see Section 4.43): bit 15
- Power management CSR register (PCI offset A4h, see Section 4.44): bit 8
- Serial bus data register (PCI offset B0h, see Section 4.47): bits 7–0
- Serial bus index register (PCI offset B1h, see Section 4.48): bits 7–0
- Serial bus slave address register (PCI offset B2h, see Section 4.49): bits 7–0
- Serial bus control/status register (PCI offset B3h, see Section 4.50): bits 7, 3–0
- ExCA identification and revision register (ExCA 800h, see Section 5.1): bits 7–0
- ExCA global control register (ExCA 81Eh, see Section 5.20): bits 2–0
- CardBus socket power management register (CardBus 20h, see Section 6.6): bits 25–24

The global reset-only bit (function 2) is:

- Subsystem vendor ID register (PCI offset 2Ch, see Section 7.12): bits 15–0
- Subsystem ID register (PCI offset 2Eh, see Section 7.12): bits 31–16
- Minimum grant and maximum latency register (PCI offset 3Eh, see Section 7.16): bits 15–0
- Power management control and status register (PCI offset 48h, see Section 7.20): bits 15, 8, 1, 0
- PCI PHY control register (PCI offset Ech, see Section 7.22): bits 7, 4–0
- Miscellaneous configuration register (PCI offset F0h, see Section 7.23): bits 15, 11–8, 5–0
- Link enhancement control register (PCI offset F4h, see Section 7.24): bits 15–12, 10, 8–7, 2–1

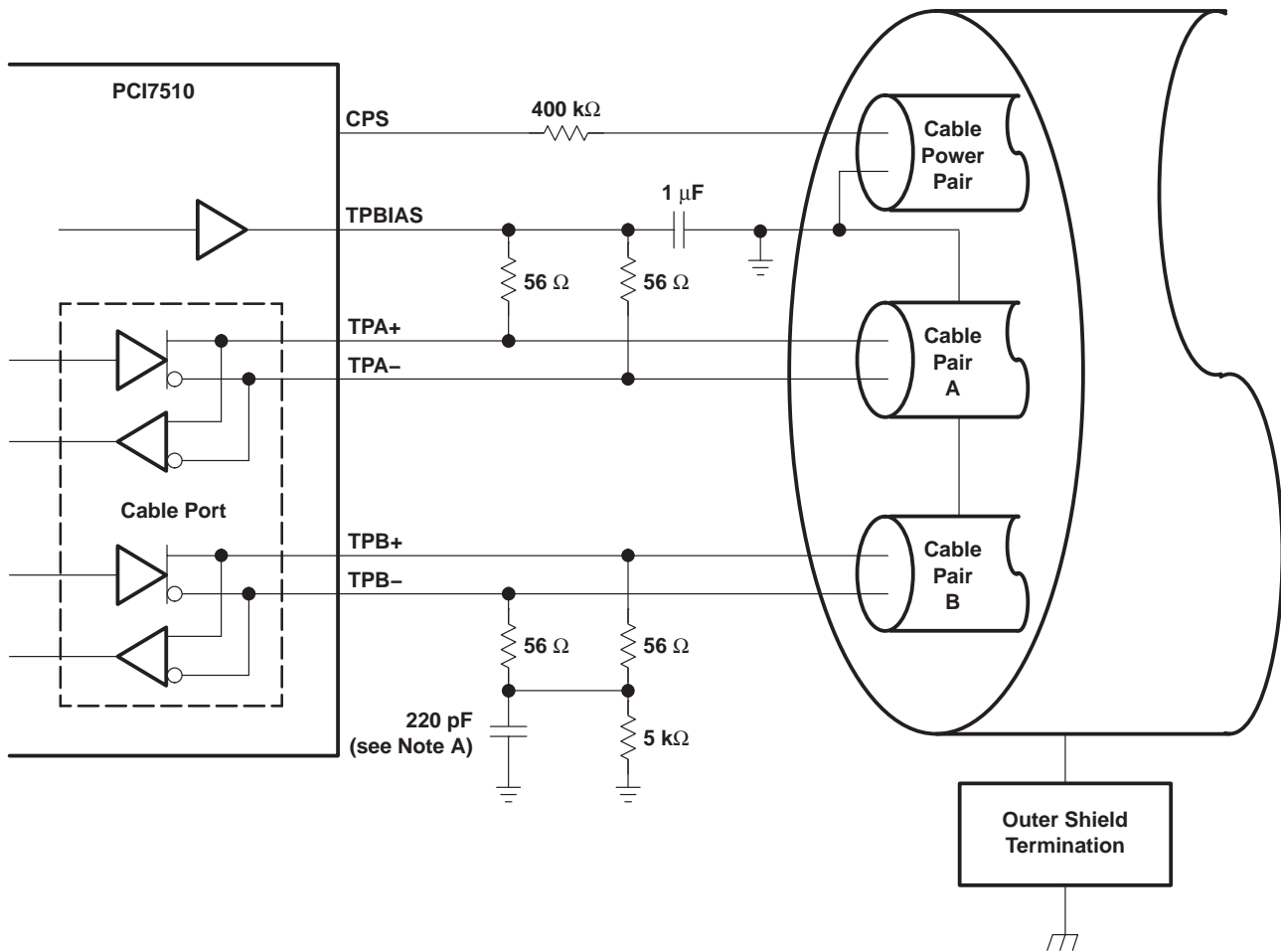
- Bus options register (OHCI offset 20h, see Section 8.9): bits 15–12
- GUID high register (OHCI offset 24h, see Section 8.10): bits 31–0
- GUID low register (OHCI offset 28h, see Section 8.11): bits 31–0
- Host controller control register (OHCI offset 50h/54h, see Section 8.16): bit 23
- Link control register (OHCI offset E0h/E4h, see Section 8.31): bit 6
- PHY-link loopback test register (Local offset C14h): bits 6–4, 0
- Link test control register (Local offset C00h): bits 12–8

The global reset-only (function 3) register bits:

- Subsystem vendor ID register (PCI offset 2Ch, see Section 7.12): bits 15–0
- Subsystem ID register (PCI offset 2Eh, see Section 7.12): bits 31–16
- Power management control and status register (PCI offset 48h, see Section 7.20): bits 1, 0
- Miscellaneous control register (PCI offset 50h, see Section): bit 0

3.10 IEEE 1394 Application Information

3.10.1 PHY Port Cable Connection



NOTE A: IEEE Std 1394-1995 calls for a 250-pF capacitor, which is a nonstandard component value. A 220-pF capacitor is recommended.

Figure 3–18. TP Cable Connections

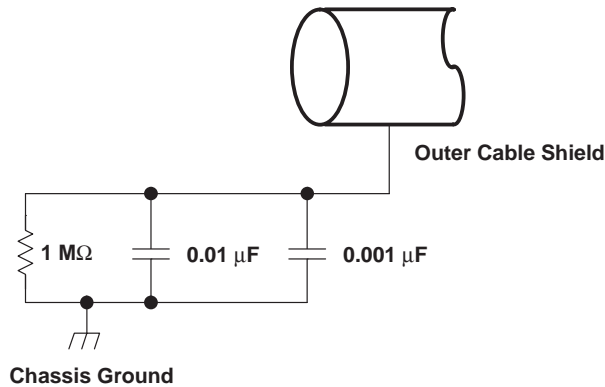


Figure 3–19. Typical Compliant DC Isolated Outer Shield Termination

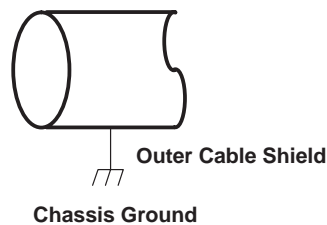


Figure 3–20. Non-DC Isolated Outer Shield Termination

3.10.2 Crystal Selection

The PCI7510 device is designed to use an external 24.576-MHz crystal connected between the XI and XO terminals to provide the reference for an internal oscillator circuit. This oscillator in turn drives a PLL circuit that generates the various clocks required for transmission and resynchronization of data at the S100 through S400 media data rates.

A variation of less than ± 100 ppm from nominal for the media data rates is required by IEEE Std 1394-1995. Adjacent PHYs may therefore have a difference of up to 200 ppm from each other in their internal clocks, and PHY devices must be able to compensate for this difference over the maximum packet length. Large clock variations may cause resynchronization overflows or underflows, resulting in corrupted packet data.

The following are some typical specifications for crystals used with the PHYs from TI in order to achieve the required frequency accuracy and stability:

- Crystal mode of operation: Fundamental
- Frequency tolerance @ 25°C: Total frequency variation for the complete circuit is ± 100 ppm. A crystal with ± 30 ppm frequency tolerance is recommended for adequate margin.
- Frequency stability (over temperature and age): A crystal with ± 30 ppm frequency stability is recommended for adequate margin.

NOTE: The total frequency variation must be kept below ± 100 ppm from nominal with some allowance for error introduced by board and device variations. Trade-offs between frequency tolerance and stability may be made as long as the total frequency variation is less than ± 100 ppm. For example, the frequency tolerance of the crystal may be specified at 50 ppm and the temperature tolerance may be specified at 30 ppm to give a total of 80 ppm possible variation due to the crystal alone. Crystal aging also contributes to the frequency variation.

- Load capacitance: For parallel resonant mode crystal circuits, the frequency of oscillation is dependent upon the load capacitance specified for the crystal. Total load capacitance (C_L) is a function of not only the discrete load capacitors, but also board layout and circuit. It is recommended that load capacitors with a maximum of $\pm 5\%$ tolerance be used.

For example, load capacitors (C9 and C10 in Figure 3–21) of 16 pF each were appropriate for the layout of the PCI7510 evaluation module (EVM), which uses a crystal specified for 12-pF loading. The load specified for the crystal includes the load capacitors (C9 and C10), the loading of the PHY pins (C_{PHY}), and the loading of the board itself (C_{BD}). The value of C_{PHY} is typically about 1 pF, and C_{BD} is typically 0.8 pF per centimeter of board etch; a *typical* board can have 3 pF to 6 pF or more. The load capacitors C9 and C10 combine as capacitors in series so that the total load capacitance is:

$$C_L = \frac{C9 \times C10}{C9 + C10} + C_{PHY} + C_{BD}$$

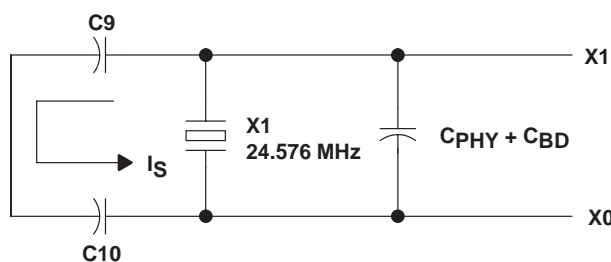
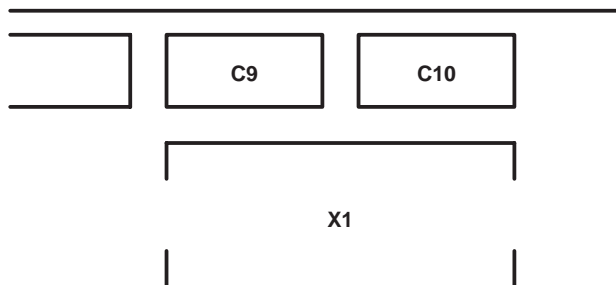


Figure 3–21. Load Capacitance for the PCI7510 PHY

The layout of the crystal portion of the PHY circuit is important for obtaining the correct frequency, minimizing noise introduced into the PHY phase-lock loop, and minimizing any emissions from the circuit. The crystal and two load capacitors must be considered as a unit during layout. The crystal and the load capacitors must be placed as close as possible to one another while minimizing the loop area created by the combination of the three components. Varying the size of the capacitors may help in this. Minimizing the loop area minimizes the effect of the resonant current (I_s) that flows in this resonant circuit. This layout unit (crystal and load capacitors) must then be placed as close as possible to the PHY X1 and X0 terminals to minimize etch lengths, as shown in Figure 3–22.



For more details on crystal selection, see application report SLLA051 available from the TI website: <http://www.ti.com/sc/1394>.

Figure 3–22. Recommended Crystal and Capacitor Layout

3.10.3 Bus Reset

In the PCI7510 device, the initiate bus reset (IBR) bit may be set to 1 in order to initiate a bus reset and initialization sequence. The IBR bit is located in PHY register 1, along with the root-holdoff bit (RHB) and Gap_Count field, as required by IEEE Std 1394a-2000. Therefore, whenever the IBR bit is written, the RHB and Gap_Count are also written.

The RHB and Gap_Count may also be updated by PHY-config packets. The PCI7510 device is IEEE 1394a-2000 compliant, and therefore both the reception and transmission of PHY-config packets cause the RHB and Gap_Count to be loaded, unlike older IEEE 1394-1995 compliant PHY devices which decode only received PHY-config packets.

The gap-count is set to the maximum value of 63 after 2 consecutive bus resets without an intervening write to the Gap_Count, either by a write to PHY register 1 or by a PHY-config packet. This mechanism allows a PHY-config

packet to be transmitted and then a bus reset initiated so as to verify that all nodes on the bus have updated their RHBs and Gap_Count values, without having the Gap_Count set back to 63 by the bus reset. The subsequent connection of a new node to the bus, which initiates a bus reset, then causes the Gap_Count of each node to be set to 63. Note, however, that if a subsequent bus reset is instead initiated by a write to register 1 to set the IBR bit, all other nodes on the bus have their Gap_Count values set to 63, while this node Gap_Count remains set to the value just loaded by the write to PHY register 1.

Therefore, in order to maintain consistent gap-counts throughout the bus, the following rules apply to the use of the IBR bit, RHB, and Gap_Count in PHY register 1:

- Following the transmission of a PHY-config packet, a bus reset must be initiated in order to verify that all nodes have correctly updated their RHBs and Gap_Count values and to ensure that a subsequent new connection to the bus causes the Gap_Count to be set to 63 on all nodes in the bus. If this bus reset is initiated by setting the IBR bit to 1, then the RHB and Gap_Count field must also be loaded with the correct values consistent with the just transmitted PHY-config packet. In the PCI7510 device, the RHB and Gap_Count are updated to their correct values upon the transmission of the PHY-config packet, so these values may first be read from register 1 and then rewritten.
- Other than to initiate the bus reset, which must follow the transmission of a PHY-config packet, whenever the IBR bit is set to 1 in order to initiate a bus reset, the Gap_Count value must also be set to 63 so as to be consistent with other nodes on the bus, and the RHB must be maintained with its current value.
- The PHY register 1 must not be written to except to set the IBR bit. The RHB and Gap_Count must not be written without also setting the IBR bit to 1.

4 PC Card Controller Programming Model

This chapter describes the PCI7510 PCI configuration registers that make up the 256-byte PCI configuration header for each PCI7510 function. There are some bits which affect both CardBus functions, but which, in order to work properly, must be accessed only through function 0. These are called global bits. Registers containing one or more global bits are denoted by § in Table 4–2.

Any bit followed by a † is not cleared by the assertion of \overline{PRST} (see *CardBus Bridge Power Management*, Section 3.9.10, for more details) if \overline{PME} is enabled (PCI offset A4h, bit 8). In this case, these bits are cleared only by \overline{GRST} . If \overline{PME} is not enabled, then these bits are cleared by \overline{GRST} or \overline{PRST} . These bits are sometimes referred to as PME context bits and are implemented to allow \overline{PME} context to be preserved during the transition from D3_{hot} or D3_{cold} to D0.

If a bit is followed by a ‡, then this bit is cleared only by \overline{GRST} in all cases (not conditional on \overline{PME} being enabled). These bits are intended to maintain device context such as interrupt routing and MFUNC programming during warm resets.

A bit description table, typically included when the register contains bits of more than one type or purpose, indicates bit field names, a detailed field description, and field access tags which appear in the *type* column. Table 4–1 describes the field access tags.

Table 4–1. Bit Field Access Tag Descriptions

ACCESS TAG	NAME	MEANING
R	Read	Field can be read by software.
W	Write	Field can be written by software to any value.
S	Set	Field can be set by a write of 1. Writes of 0 have no effect.
C	Clear	Field can be cleared by a write of 1. Writes of 0 have no effect.
U	Update	Field can be autonomously updated by the PCI7510 device.

4.1 PCI Configuration Registers (Functions 0 and 1)

The PCI7510 is a multifunction PCI device, and the PC Card controller is integrated as PCI functions 0 and 1. The configuration header, compliant with the *PCI Local Bus Specification* as a CardBus bridge header, is *PC99/PC2001* compliant as well. Table 4–2 illustrates the PCI configuration register map, which includes both the predefined portion of the configuration space and the user-definable registers.

Table 4–2. Functions 0 and 1 PCI Configuration Register Map

REGISTER NAME				OFFSET
Device ID		Vendor ID		00h
Status ‡		Command		04h
Class code			Revision ID	08h
BIST	Header type	Latency timer	Cache line size	0Ch
CardBus socket registers/ExCA base address register				10h
Secondary status ‡		Reserved	Capability pointer	14h
CardBus latency timer	Subordinate bus number	CardBus bus number	PCI bus number	18h
CardBus memory base register 0				1Ch
CardBus memory limit register 0				20h
CardBus memory base register 1				24h
CardBus memory limit register 1				28h

‡ One or more bits in this register are cleared only by the assertion of \overline{GRST} .

Table 4–2. Functions 0 and 1 PCI Configuration Register Map (Continued)

REGISTER NAME				OFFSET
CardBus I/O base register 0				2Ch
CardBus I/O limit register 0				30h
CardBus I/O base register 1				34h
CardBus I/O limit register 1				38h
Bridge control †		Interrupt pin	Interrupt line	3Ch
Subsystem ID ‡		Subsystem vendor ID ‡		40h
PC Card 16-bit I/F legacy-mode base-address ‡				44h
Reserved				48h–7Ch
System control †‡§				80h
General control ‡§		Reserved	Reserved	84h
General-purpose output ‡	General-purpose input	General-purpose event enable ‡	General-purpose event status ‡	88h
Multifunction routing status ‡				8Ch
Diagnostic ‡§	Device control ‡§	Card control ‡§	Retry status ‡§	90h
Reserved				94h–9Ch
Power management capabilities ‡		Next item pointer	Capability ID	A0h
Power management data (Reserved)	Power management control/status bridge support extensions	Power management control/status †‡		A4h
Reserved				A8h–ACh
Serial bus control/status ‡	Serial bus slave address ‡	Serial bus index ‡	Serial bus data ‡	B0h
Reserved				B4h–FCh

† One or more bits in this register are PME context bits and can be cleared only by the assertion of \overline{GRST} when \overline{PME} is enabled. If \overline{PME} is not enabled, then this bit is cleared by the assertion of \overline{PRST} or \overline{GRST} .

‡ One or more bits in this register are cleared only by the assertion of \overline{GRST} .

§ One or more bits in this register are global in nature and must be accessed only through function 0.

4.2 Vendor ID Register

The vendor ID register contains a value allocated by the PCI SIG that identifies the manufacturer of the PCI device. The vendor ID assigned to Texas Instruments is 104Ch.

Bit	15	14	13	12	11	10	9	8	7	6	5	4	3	2	1	0
Name	Vendor ID															
Type	R	R	R	R	R	R	R	R	R	R	R	R	R	R	R	R
Default	0	0	0	1	0	0	0	0	0	1	0	0	1	1	0	0

Register: **Vendor ID**
 Offset: 00h (Functions 0, 1)
 Type: Read-only
 Default: 104Ch

4.3 Device ID Register Function 0

The device ID register contains a value assigned to the PCI7510 device by Texas Instruments. The device identification for the PCI7510 device is AC47h.

Bit	15	14	13	12	11	10	9	8	7	6	5	4	3	2	1	0
Name	Device ID															
Type	R	R	R	R	R	R	R	R	R	R	R	R	R	R	R	R
Default	1	0	1	0	1	1	0	0	0	1	0	0	0	1	1	1

Register: **Device ID**
 Offset: 02h (Function 0)
 Type: Read-only
 Default: AC47h

4.4 Device ID Register Function 1

This read-only register contains the device ID assigned by TI to the PCI7510 Smart Card dedicated socket function (PCI function 1). The device ID for the Smart Card dedicated socket is AC4Ah.

Bit	15	14	13	12	11	10	9	8	7	6	5	4	3	2	1	0
Name	Device ID—Smart Card															
Type	R	R	R	R	R	R	R	R	R	R	R	R	R	R	R	R
Default	1	0	1	0	1	1	0	0	0	1	0	0	1	0	1	0

Register: **Device ID (dedicated Smart Card)**
 Offset: 02h (Function 1)
 Type: Read-only
 Default: AC4Ah

4.5 Command Register

The PCI command register provides control over the PCI7510 interface to the PCI bus. All bit functions adhere to the definitions in the *PCI Local Bus Specification* (see Table 4–3). None of the bit functions in this register are shared among the PCI7510 PCI functions. Three command registers exist in the PCI7510 device, one for each function. Software manipulates the PCI7510 functions as separate entities when enabling functionality through the command register. The SERR_EN and PERR_EN enable bits in this register are internally wired OR between the three functions, and these control bits appear to software to be separate for each function.

Bit	15	14	13	12	11	10	9	8	7	6	5	4	3	2	1	0
Name	Command															
Type	R	R	R	R	R	RW	R	RW	R	RW	RW	R	R	RW	RW	RW
Default	0	0	0	0	0	0	0	0	0	0	0	0	0	0	0	0

Register: **Command**
 Offset: 04h
 Type: Read-only, Read/Write
 Default: 0000h

Table 4–3. Command Register Description

BIT	SIGNAL	TYPE	FUNCTION
15–11	RSVD	R	Reserved. Bits 15–11 return 0s when read.
10	INT_DISABLE	RW	<p>$\overline{\text{INTx}}$ disable. When set to 1, this bit disables the function from asserting interrupts on the $\overline{\text{INTx}}$ signals.</p> <p>0 = $\overline{\text{INTx}}$ assertion is enabled (default)</p> <p>1 = $\overline{\text{INTx}}$ assertion is disabled</p> <p>This bit is disabled (read-only 0) if bit 7 (PCI2_3_EN) in the general control register (PCI offset 86h, see Section 4.31) is 0.</p>
9	FBB_EN	R	Fast back-to-back enable. The PCI7510 device does not generate fast back-to-back transactions; therefore, this bit is read-only. This bit returns a 0 when read.
8	SERR_EN	RW	<p>System error ($\overline{\text{SERR}}$) enable. This bit controls the enable for the $\overline{\text{SERR}}$ driver on the PCI interface. $\overline{\text{SERR}}$ can be asserted after detecting an address parity error on the PCI bus. Both this bit and bit 6 must be set for the PCI7510 device to report address parity errors.</p> <p>0 = Disables the $\overline{\text{SERR}}$ output driver (default)</p> <p>1 = Enables the $\overline{\text{SERR}}$ output driver</p>
7	RSVD	R	Reserved. Bit 7 returns 0 when read.
6	PERR_EN	RW	<p>Parity error response enable. This bit controls the PCI7510 response to parity errors through the $\overline{\text{PERR}}$ signal. Data parity errors are indicated by asserting $\overline{\text{PERR}}$, while address parity errors are indicated by asserting $\overline{\text{SERR}}$.</p> <p>0 = PCI7510 device ignores detected parity errors (default).</p> <p>1 = PCI7510 device responds to detected parity errors.</p>
5	VGA_EN	RW	VGA palette snoop. When set to 1, palette snooping is enabled (i.e., the PCI7510 device does not respond to palette register writes and snoops the data). When the bit is 0, the PCI7510 device treats all palette accesses like all other accesses.
4	MWI_EN	R	Memory write-and-invalidate enable. This bit controls whether a PCI initiator device can generate memory write-and-invalidate commands. The PCI7510 controller does not support memory write-and-invalidate commands, it uses memory write commands instead; therefore, this bit is hardwired to 0. This bit returns 0 when read. Writes to this bit have no effect.
3	SPECIAL	R	Special cycles. This bit controls whether or not a PCI device ignores PCI special cycles. The PCI7510 device does not respond to special cycle operations; therefore, this bit is hardwired to 0. This bit returns 0 when read. Writes to this bit have no effect.
2	MAST_EN	RW	<p>Bus master control. This bit controls whether or not the PCI7510 device can act as a PCI bus initiator (master). The PCI7510 device can take control of the PCI bus only when this bit is set.</p> <p>0 = Disables the PCI7510 ability to generate PCI bus accesses (default)</p> <p>1 = Enables the PCI7510 ability to generate PCI bus accesses</p>

Table 4–3. Command Register Description (continued)

BIT	SIGNAL	TYPE	FUNCTION
1	MEM_EN	RW	Memory space enable. This bit controls whether or not the PCI7510 device can claim cycles in PCI memory space. 0 = Disables the PCI7510 response to memory space accesses (default) 1 = Enables the PCI7510 response to memory space accesses
0	IO_EN	RW	I/O space control. This bit controls whether or not the PCI7510 device can claim cycles in PCI I/O space. 0 = Disables the PCI7510 device from responding to I/O space accesses (default) 1 = Enables the PCI7510 device to respond to I/O space accesses

4.6 Status Register

The status register provides device information to the host system. Bits in this register can be read normally. A bit in the status register is reset when a 1 is written to that bit location; a 0 written to a bit location has no effect. All bit functions adhere to the definitions in the *PCI Bus Specification*, as seen in the bit descriptions. PCI bus status is shown through each function. See Table 4–4 for a complete description of the register contents.

Bit	15	14	13	12	11	10	9	8	7	6	5	4	3	2	1	0
Name	Status															
Type	RW	RW	RW	RW	RW	R	R	RW	R	R	R	R	R	R	R	R
Default	0	0	0	0	0	0	1	0	0	0	0	1	0	0	0	0

Register: **Status**
 Offset: 06h (Functions 0, 1)
 Type: Read-only, Read/Write
 Default: 0210h

Table 4–4. Status Register Description

BIT	SIGNAL	TYPE	FUNCTION
15 ‡	PAR_ERR	RW	Detected parity error. This bit is set when a parity error is detected, either an address or data parity error. Write a 1 to clear this bit.
14 ‡	SYS_ERR	RW	Signaled system error. This bit is set when \overline{SERR} is enabled and the PCI7510 device signaled a system error to the host. Write a 1 to clear this bit.
13 ‡	MABORT	RW	Received master abort. This bit is set when a cycle initiated by the PCI7510 device on the PCI bus has been terminated by a master abort. Write a 1 to clear this bit.
12 ‡	TABT_REC	RW	Received target abort. This bit is set when a cycle initiated by the PCI7510 device on the PCI bus was terminated by a target abort. Write a 1 to clear this bit.
11 ‡	TABT_SIG	RW	Signaled target abort. This bit is set by the PCI7510 device when it terminates a transaction on the PCI bus with a target abort. Write a 1 to clear this bit.
10–9	PCI_SPEED	R	DEVSEL timing. These bits encode the timing of \overline{DEVSEL} and are hardwired to 01b indicating that the PCI7510 device asserts this signal at a medium speed on nonconfiguration cycle accesses.
8 ‡	DATAPAR	RW	Data parity error detected. Write a 1 to clear this bit. 0 = The conditions for setting this bit have not been met. 1 = A data parity error occurred and the following conditions were met: a. PERR was asserted by any PCI device including the PCI7510. b. The PCI7510 device was the bus master during the data parity error. c. The parity error response bit is set in the command register.
7	FBB_CAP	R	Fast back-to-back capable. The PCI7510 device cannot accept fast back-to-back transactions; thus, this bit is hardwired to 0.
6	UDF	R	UDF supported. The PCI7510 device does not support user-definable features; therefore, this bit is hardwired to 0.
5	66MHZ	R	66-MHz capable. The PCI7510 device operates at a maximum PCLK frequency of 33 MHz; therefore, this bit is hardwired to 0.

‡ One or more bits in this register are cleared only by the assertion of \overline{GRST} .

Table 4–4. Status Register Description (continued)

BIT	SIGNAL	TYPE	FUNCTION
4	CAPLIST	R	Capabilities list. This bit returns 1 when read. This bit indicates that capabilities in addition to standard PCI capabilities are implemented. The linked list of PCI power-management capabilities is implemented in this function.
3	INT_STATUS	R	Interrupt status. This bit reflects the interrupt status of the function. Only when bit 10 (INT_DISABLE) in the command register (PCI offset 04h, see Section 4.5) is a 0 and this bit is a 1, will the function's INTx signal be asserted. Setting the INT_DISABLE bit to a 1 has no effect on the state of this bit. This bit is disabled (read-only 0) if bit 7 (PCI2_3_EN) in the general control register (PCI offset 86h, see Section 4.31) is 0.
2–0	RSVD	R	Reserved. These bits return 0s when read.

4.7 Revision ID Register

The revision ID register indicates the silicon revision of the PCI7510 device.

Bit	7	6	5	4	3	2	1	0
Name	Revision ID							
Type	R	R	R	R	R	R	R	R
Default	0	0	0	0	0	0	0	0

Register: **Revision ID**
 Offset: 08h (functions 0, 1)
 Type: Read-only
 Default: 00h

4.8 Class Code Register

The class code register recognizes PCI7510 functions 0 and 1 as a bridge device (06h) and a CardBus bridge device (07h), with a 00h programming interface.

Bit	23	22	21	20	19	18	17	16	15	14	13	12	11	10	9	8	7	6	5	4	3	2	1	0		
Name	PCI class code																									
	Base class								Subclass								Programming interface									
Type	R	R	R	R	R	R	R	R	R	R	R	R	R	R	R	R	R	R	R	R	R	R	R	R	R	R
Default	0	0	0	0	0	1	1	0	0	0	0	0	0	1	1	1	0	0	0	0	0	0	0	0	0	

Register: **PCI class code**
 Offset: 09h (functions 0, 1)
 Type: Read-only
 Default: 06 0700h

4.9 Cache Line Size Register

The cache line size register is programmed by host software to indicate the system cache line size.

Bit	7	6	5	4	3	2	1	0
Name	Cache line size							
Type	RW	RW	RW	RW	RW	RW	RW	RW
Default	0	0	0	0	0	0	0	0

Register: **Cache line size**
 Offset: 0Ch (Functions 0, 1)
 Type: Read/Write
 Default: 00h

4.10 Latency Timer Register

The latency timer register specifies the latency timer for the PCI7510 device, in units of PCI clock cycles. When the PCI7510 device is a PCI bus initiator and asserts $\overline{\text{FRAME}}$, the latency timer begins counting from zero. If the latency timer expires before the PCI7510 transaction has terminated, then the PCI7510 device terminates the transaction when its $\overline{\text{GNT}}$ is deasserted.

Bit	7	6	5	4	3	2	1	0
Name	Latency timer							
Type	RW	RW	RW	RW	RW	RW	RW	RW
Default	0	0	0	0	0	0	0	0

Register: **Latency timer**
 Offset: 0Dh
 Type: Read/Write
 Default: 00h

4.11 Header Type Register

The header type register returns 82h when read, indicating that the PCI7510 functions 0 and 1 configuration spaces adhere to the CardBus bridge PCI header. The CardBus bridge PCI header ranges from PCI registers 00h–7Fh, and 80h–FFh is user-definable extension registers.

Bit	7	6	5	4	3	2	1	0
Name	Header type							
Type	R	R	R	R	R	R	R	R
Default	1	0	0	0	0	0	1	0

Register: **Header type**
 Offset: 0Eh (Functions 0, 1)
 Type: Read-only
 Default: 82h

4.12 BIST Register

Because the PCI7510 device does not support a built-in self-test (BIST), this register returns the value of 00h when read.

Bit	7	6	5	4	3	2	1	0
Name	BIST							
Type	R	R	R	R	R	R	R	R
Default	0	0	0	0	0	0	0	0

Register: **BIST**
 Offset: 0Fh (Functions 0, 1)
 Type: Read-only
 Default: 00h

4.13 CardBus Socket Registers/ExCA Base Address Register

This register is programmed with a base address referencing the CardBus socket registers and the memory-mapped ExCA register set. Bits 31–12 are read/write, and allow the base address to be located anywhere in the 32-bit PCI memory address space on a 4-Kbyte boundary. Bits 11–0 are read-only, returning 0s when read. When software writes all 1s to this register, the value read back is FFFF F000h, indicating that at least 4K bytes of memory address space are required. The CardBus registers start at offset 000h, and the memory-mapped ExCA registers begin at offset 800h. This register is not shared by functions 0 and 1, so the system maps each socket control register separately.

Bit	31	30	29	28	27	26	25	24	23	22	21	20	19	18	17	16
Name	CardBus socket registers/ExCA base address															
Type	RW	RW	RW	RW	RW	RW	RW	RW	RW	RW	RW	RW	RW	RW	RW	RW
Default	0	0	0	0	0	0	0	0	0	0	0	0	0	0	0	0
Bit	15	14	13	12	11	10	9	8	7	6	5	4	3	2	1	0
Name	CardBus socket registers/ExCA base address															
Type	RW	RW	RW	RW	R	R	R	R	R	R	R	R	R	R	R	R
Default	0	0	0	0	0	0	0	0	0	0	0	0	0	0	0	0

Register: **CardBus socket registers/ExCA base address**
 Offset: 10h
 Type: Read-only, Read/Write
 Default: 0000 0000h

4.14 Capability Pointer Register

The capability pointer register provides a pointer into the PCI configuration header where the PCI power management register block resides. PCI header doublewords at A0h and A4h provide the power management (PM) registers. Each socket has its own capability pointer register. This register is read-only and returns A0h when read.

Bit	7	6	5	4	3	2	1	0
Name	Capability pointer							
Type	R	R	R	R	R	R	R	R
Default	1	0	1	0	0	0	0	0

Register: **Capability pointer**
 Offset: 14h
 Type: Read-only
 Default: A0h

4.15 Secondary Status Register

The secondary status register is compatible with the PCI-PCI bridge secondary status register. It indicates CardBus-related device information to the host system. This register is very similar to the PCI status register (PCI offset 06h, see Section 4.6), and status bits are cleared by a writing a 1. This register is not shared by the two socket functions, but is accessed on a per-socket basis. See Table 4–5 for a complete description of the register contents.

Bit	15	14	13	12	11	10	9	8	7	6	5	4	3	2	1	0
Name	Secondary status															
Type	RC	RC	RC	RC	RC	R	R	RC	R	R	R	R	R	R	R	R
Default	0	0	0	0	0	0	1	0	0	0	0	0	0	0	0	0

Register: **Secondary status**
 Offset: 16h
 Type: Read-only, Read/Clear
 Default: 0200h

Table 4–5. Secondary Status Register Description

BIT	SIGNAL	TYPE	FUNCTION
15 ‡	CBPARITY	RC	Detected parity error. This bit is set when a CardBus parity error is detected, either an address or data parity error. Write a 1 to clear this bit.
14 ‡	CBSERR	RC	Signaled system error. This bit is set when $\overline{\text{CSERR}}$ is signaled by a CardBus card. The PCI7510 device does not assert the $\overline{\text{CSERR}}$ signal. Write a 1 to clear this bit.
13 ‡	CBMABORT	RC	Received master abort. This bit is set when a cycle initiated by the PCI7510 device on the CardBus bus is terminated by a master abort. Write a 1 to clear this bit.
12 ‡	REC_CBTA	RC	Received target abort. This bit is set when a cycle initiated by the PCI7510 device on the CardBus bus is terminated by a target abort. Write a 1 to clear this bit.
11 ‡	SIG_CBTA	RC	Signaled target abort. This bit is set by the PCI7510 device when it terminates a transaction on the CardBus bus with a target abort. Write a 1 to clear this bit.
10–9	CB_SPEED	R	CDEVSEL timing. These bits encode the timing of $\overline{\text{CDEVSEL}}$ and are hardwired to 01b indicating that the PCI7510 device asserts this signal at a medium speed.
8 ‡	CB_DPAR	RC	CardBus data parity error detected. Write a 1 to clear this bit. 0 = The conditions for setting this bit have not been met. 1 = A data parity error occurred and the following conditions were met: a. $\overline{\text{CPERR}}$ was asserted on the CardBus interface. b. The PCI7510 device was the bus master during the data parity error. c. The parity error response enable bit (bit 0) is set in the bridge control register (PCI offset 3Eh, see Section 4.26).
7	CBFBB_CAP	R	Fast back-to-back capable. The PCI7510 device cannot accept fast back-to-back transactions; therefore, this bit is hardwired to 0.
6	CB_UDF	R	User-definable feature support. The PCI7510 device does not support user-definable features; therefore, this bit is hardwired to 0.
5	CB66MHZ	R	66-MHz capable. The PCI7510 CardBus interface operates at a maximum CCLK frequency of 33 MHz; therefore, this bit is hardwired to 0.
4–0	RSVD	R	These bits return 0s when read.

‡ One or more bits in this register are cleared only by the assertion of $\overline{\text{GRST}}$.

4.16 PCI Bus Number Register

The PCI bus number register is programmed by the host system to indicate the bus number of the PCI bus to which the PCI7510 device is connected. The PCI7510 device uses this register in conjunction with the CardBus bus number and subordinate bus number registers to determine when to forward PCI configuration cycles to its secondary buses.

Bit	7	6	5	4	3	2	1	0
Name	PCI bus number							
Type	RW	RW	RW	RW	RW	RW	RW	RW
Default	0	0	0	0	0	0	0	0

Register: **PCI bus number**
 Offset: 18h (Functions 0, 1)
 Type: Read/Write
 Default: 00h

4.17 CardBus Bus Number Register

The CardBus bus number register is programmed by the host system to indicate the bus number of the CardBus bus to which the PCI7510 device is connected. The PCI7510 device uses this register in conjunction with the PCI bus number and subordinate bus number registers to determine when to forward PCI configuration cycles to its secondary buses. This register is separate for each PCI7510 controller function.

Bit	7	6	5	4	3	2	1	0
Name	CardBus bus number							
Type	RW	RW	RW	RW	RW	RW	RW	RW
Default	0	0	0	0	0	0	0	0

Register: **CardBus bus number**
 Offset: 19h
 Type: Read/Write
 Default: 00h

4.18 Subordinate Bus Number Register

The subordinate bus number register is programmed by the host system to indicate the highest numbered bus below the CardBus bus. The PCI7510 device uses this register in conjunction with the PCI bus number and CardBus bus number registers to determine when to forward PCI configuration cycles to its secondary buses. This register is separate for each CardBus controller function.

Bit	7	6	5	4	3	2	1	0
Name	Subordinate bus number							
Type	RW	RW	RW	RW	RW	RW	RW	RW
Default	0	0	0	0	0	0	0	0

Register: **Subordinate bus number**
 Offset: 1Ah
 Type: Read/Write
 Default: 00h

4.19 CardBus Latency Timer Register

The CardBus latency timer register is programmed by the host system to specify the latency timer for the PCI7510 CardBus interface, in units of CCLK cycles. When the PCI7510 device is a CardBus initiator and asserts CFRAME, the CardBus latency timer begins counting. If the latency timer expires before the PCI7510 transaction has terminated, then the PCI7510 device terminates the transaction at the end of the next data phase. A recommended minimum value for this register of 20h allows most transactions to be completed.

Bit	7	6	5	4	3	2	1	0
Name	CardBus latency timer							
Type	RW	RW	RW	RW	RW	RW	RW	RW
Default	0	0	0	0	0	0	0	0

Register: **CardBus latency timer**
 Offset: 1Bh (Functions 0, 1)
 Type: Read/Write
 Default: 00h

4.20 CardBus Memory Base Registers 0, 1

These registers indicate the lower address of a PCI memory address range. They are used by the PCI7510 device to determine when to forward a memory transaction to the CardBus bus, and likewise, when to forward a CardBus cycle to PCI. Bits 31–12 of these registers are read/write and allow the memory base to be located anywhere in the 32-bit PCI memory space on 4-Kbyte boundaries. Bits 11–0 are read-only and always return 0s. Writes to these bits have no effect. Bits 8 and 9 of the bridge control register (PCI offset 3Eh, see Section 4.26) specify whether memory windows 0 and 1 are prefetchable or nonprefetchable. The memory base register or the memory limit register must be nonzero in order for the PCI7510 device to claim any memory transactions through CardBus memory windows (i.e., these windows by default are not enabled to pass the first 4 Kbytes of memory to CardBus).

Bit	31	30	29	28	27	26	25	24	23	22	21	20	19	18	17	16
Name	Memory base registers 0, 1															
Type	RW	RW	RW	RW	RW	RW	RW	RW	RW	RW	RW	RW	RW	RW	RW	RW
Default	0	0	0	0	0	0	0	0	0	0	0	0	0	0	0	0
Bit	15	14	13	12	11	10	9	8	7	6	5	4	3	2	1	0
Name	Memory base registers 0, 1															
Type	RW	RW	RW	RW	R	R	R	R	R	R	R	R	R	R	R	R
Default	0	0	0	0	0	0	0	0	0	0	0	0	0	0	0	0

Register: **Memory base registers 0, 1**
 Offset: 1Ch, 24h
 Type: Read-only, Read/Write
 Default: 0000 0000h

4.21 CardBus Memory Limit Registers 0, 1

These registers indicate the upper address of a PCI memory address range. They are used by the PCI7510 device to determine when to forward a memory transaction to the CardBus bus, and likewise, when to forward a CardBus cycle to PCI. Bits 31–12 of these registers are read/write and allow the memory base to be located anywhere in the 32-bit PCI memory space on 4-Kbyte boundaries. Bits 11–0 are read-only and always return 0s. Writes to these bits have no effect. Bits 8 and 9 of the bridge control register (PCI offset 3Eh, see Section 4.26) specify whether memory windows 0 and 1 are prefetchable or nonprefetchable. The memory base register or the memory limit register must be nonzero in order for the PCI7510 device to claim any memory transactions through CardBus memory windows (i.e., these windows by default are not enabled to pass the first 4 Kbytes of memory to CardBus).

Bit	31	30	29	28	27	26	25	24	23	22	21	20	19	18	17	16
Name	Memory limit registers 0, 1															
Type	RW	RW	RW	RW	RW	RW	RW	RW	RW	RW	RW	RW	RW	RW	RW	RW
Default	0	0	0	0	0	0	0	0	0	0	0	0	0	0	0	0
Bit	15	14	13	12	11	10	9	8	7	6	5	4	3	2	1	0
Name	Memory limit registers 0, 1															
Type	RW	RW	RW	RW	R	R	R	R	R	R	R	R	R	R	R	R
Default	0	0	0	0	0	0	0	0	0	0	0	0	0	0	0	0

Register: **Memory limit registers 0, 1**
 Offset: 20h, 28h
 Type: Read-only, Read/Write
 Default: 0000 0000h

4.22 CardBus I/O Base Registers 0, 1

These registers indicate the lower address of a PCI I/O address range. They are used by the PCI7510 device to determine when to forward an I/O transaction to the CardBus bus, and likewise, when to forward a CardBus cycle to the PCI bus. The lower 16 bits of this register locate the bottom of the I/O window within a 64-Kbyte page. The upper 16 bits (31–16) are all 0s, which locates this 64-Kbyte page in the first page of the 32-bit PCI I/O address space. Bits 31–2 are read/write and always return 0s forcing I/O windows to be aligned on a natural doubleword boundary in the first 64-Kbyte page of PCI I/O address space. Bits 1–0 are read-only, returning 00 or 01 when read, depending on the value of bit 11 (IO_BASE_SEL) in the general control register (PCI offset 86h, see Section 4.31). These I/O windows are enabled when either the I/O base register or the I/O limit register is nonzero. The I/O windows by default are not enabled to pass the first doubleword of I/O to CardBus.

Either the I/O base register or the I/O limit register must be nonzero to enable any I/O transactions.

Bit	31	30	29	28	27	26	25	24	23	22	21	20	19	18	17	16
Name	I/O base registers 0, 1															
Type	RW	RW	RW	RW	RW	RW	RW	RW	RW	RW	RW	RW	RW	RW	RW	RW
Default	0	0	0	0	0	0	0	0	0	0	0	0	0	0	0	0
Bit	15	14	13	12	11	10	9	8	7	6	5	4	3	2	1	0
Name	I/O base registers 0, 1															
Type	RW	RW	RW	RW	RW	RW	RW	RW	RW	RW	RW	RW	RW	RW	R	R
Default	0	0	0	0	0	0	0	0	0	0	0	0	0	0	0	X

Register: **I/O base registers 0, 1**
 Offset: 2Ch, 34h
 Type: Read-only, Read/Write
 Default: 0000 000Xh

4.23 CardBus I/O Limit Registers 0, 1

These registers indicate the upper address of a PCI I/O address range. They are used by the PCI7510 device to determine when to forward an I/O transaction to the CardBus bus, and likewise, when to forward a CardBus cycle to PCI. The lower 16 bits of this register locate the top of the I/O window within a 64-Kbyte page, and the upper 16 bits are a page register which locates this 64-Kbyte page in 32-bit PCI I/O address space. Bits 15–2 are read/write and allow the I/O limit address to be located anywhere in the 64-Kbyte page (indicated by bits 31–16 of the appropriate I/O base register) on doubleword boundaries.

Bits 31–16 are read-only and always return 0s when read. The page is set in the I/O base register. Bits 15–2 are read/write and bits 1–0 are read-only, returning 00 or 01 when read, depending on the value of bit 12 (IO_LIMIT_SEL) in the general control register (PCI offset 86h, see Section 4.31). Writes to read-only bits have no effect.

These I/O windows are enabled when either the I/O base register or the I/O limit register is nonzero. By default, the I/O windows are not enabled to pass the first doubleword of I/O to CardBus.

Either the I/O base register or the I/O limit register must be nonzero to enable any I/O transactions.

Bit	31	30	29	28	27	26	25	24	23	22	21	20	19	18	17	16
Name	I/O limit registers 0, 1															
Type	R	R	R	R	R	R	R	R	R	R	R	R	R	R	R	R
Default	0	0	0	0	0	0	0	0	0	0	0	0	0	0	0	0
Bit	15	14	13	12	11	10	9	8	7	6	5	4	3	2	1	0
Name	I/O limit registers 0, 1															
Type	RW	RW	RW	RW	RW	RW	RW	RW	RW	RW	RW	RW	RW	RW	R	R
Default	0	0	0	0	0	0	0	0	0	0	0	0	0	0	0	X

Register: **I/O limit registers 0, 1**
 Offset: 30h, 38h
 Type: Read-only, Read/Write
 Default: 0000 000Xh

4.24 Interrupt Line Register

The interrupt line register is a read/write register used by the host software. As part of the interrupt routing procedure, the host software writes this register with the value of the system IRQ assigned to the function.

Bit	7	6	5	4	3	2	1	0
Name	Interrupt line							
Type	RW	RW	RW	RW	RW	RW	RW	RW
Default	1	1	1	1	1	1	1	1

Register: **Interrupt line**
 Offset: 3Ch
 Type: Read/Write
 Default: FFh

4.25 Interrupt Pin Register

The value read from this register is function dependent. The default value for function 0 is 01h ($\overline{\text{INTA}}$), and the default value for function 1 is 02h ($\overline{\text{INTB}}$), and the default value for function 2 is 03h ($\overline{\text{INTC}}$). The value also depends on the values of bits 28, the tie-all bit (TIEALL), and 29, the interrupt tie bit (INTRTIE), in the system control register (PCI offset 80h, see Section 4.30). The INTRTIE bit is compatible with previous TI CardBus controllers, and when set to 1, ties $\overline{\text{INTB}}$ to $\overline{\text{INTA}}$ internally. The TIEALL bit ties $\overline{\text{INTA}}$, $\overline{\text{INTB}}$, and $\overline{\text{INTC}}$ together internally. The internal interrupt connections set by INTRTIE and TIEALL are communicated to host software through this standard register interface. This read-only register is described for all PCI7510 functions in Table 4–6.

PCI function 0

Bit	7	6	5	4	3	2	1	0
Name	Interrupt pin – PCI function 0							
Type	R	R	R	R	R	R	R	R
Default	0	0	0	0	0	0	0	1

PCI function 1

Bit	7	6	5	4	3	2	1	0
Name	Interrupt pin – PCI function 1							
Type	R	R	R	R	R	R	R	R
Default	0	0	0	0	0	0	1	0

PCI function 2

Bit	7	6	5	4	3	2	1	0
Name	Interrupt pin – PCI function 2							
Type	R	R	R	R	R	R	R	R
Default	0	0	0	0	0	0	1	1

Register: **Interrupt pin**

Offset: 3Dh

Type: Read-only

Default: 01h (function 0), 02h (function 1), 03h (function 2)

Table 4–6. Interrupt Pin Register Cross Reference

INTRTIE BIT (BIT 29, OFFSET 80h)	TIEALL BIT (BIT 28, OFFSET 80h)	INTPIN FUNCTION 0 (CARDBUS)	INTPIN FUNCTION 1 (DEDICATED SOCKET)	INTPIN FUNCTION 2 (1394 OHCI)
0	0	01h ($\overline{\text{INTA}}$)	02h ($\overline{\text{INTB}}$)	03h ($\overline{\text{INTC}}$)
1	0	01h ($\overline{\text{INTA}}$)	01h ($\overline{\text{INTA}}$)	03h ($\overline{\text{INTC}}$)
X	1	01h ($\overline{\text{INTA}}$)	01h ($\overline{\text{INTA}}$)	01h ($\overline{\text{INTA}}$)

4.26 Bridge Control Register

The bridge control register provides control over various PCI7510 bridging functions. Some bits in this register are global in nature and must be accessed only through function 0. See Table 4–7 for a complete description of the register contents.

Bit	15	14	13	12	11	10	9	8	7	6	5	4	3	2	1	0
Name	Bridge control															
Type	R	R	R	R	R	RW	RW	RW	RW	RW	RW	R	RW	RW	RW	RW
Default	0	0	0	0	0	0	1	1	0	1	0	0	0	0	0	0

Register: **Bridge control**
 Offset: 3Eh (Function 0, 1)
 Type: Read-only, Read/Write
 Default: 0340h

Table 4–7. Bridge Control Register Description

BIT	SIGNAL	TYPE	FUNCTION
15–11	RSVD	R	These bits return 0s when read.
10	POSTEN	RW	Write posting enable. Enables write posting to and from the CardBus sockets. Write posting enables the posting of write data on burst cycles. Operating with write posting disabled impairs performance on burst cycles. Note that burst write data can be posted, but various write transactions may not. This bit is socket dependent and is not shared between functions 0 and 1.
9	PREFETCH1	RW	Memory window 1 type. This bit specifies whether or not memory window 1 is prefetchable. This bit is socket dependent. This bit is encoded as: 0 = Memory window 1 is nonprefetchable. 1 = Memory window 1 is prefetchable (default).
8	PREFETCH0	RW	Memory window 0 type. This bit specifies whether or not memory window 0 is prefetchable. This bit is socket dependent. This bit is encoded as: 0 = Memory window 0 is nonprefetchable. 1 = Memory window 0 is prefetchable (default).
7	INTR	RW	PCI interrupt – IREQ routing enable. This bit is used to select whether PC Card functional interrupts are routed to PCI interrupts or to the IRQ specified in the ExCA registers. 0 = Functional interrupts are routed to PCI interrupts (default). 1 = Functional interrupts are routed by ExCA registers.
6 †	CRST	RW	CardBus reset. When this bit is set, the $\overline{\text{CRST}}$ signal is asserted on the CardBus interface. The $\overline{\text{CRST}}$ signal can also be asserted by passing a $\overline{\text{PRST}}$ assertion to CardBus. 0 = $\overline{\text{CRST}}$ is deasserted. 1 = $\overline{\text{CRST}}$ is asserted (default). This bit is not cleared by the assertion of $\overline{\text{PRST}}$. It is only cleared by the assertion of $\overline{\text{GRST}}$.
5	MABTMODE	RW	Master abort mode. This bit controls how the PCI7510 device responds to a master abort when the PCI7510 device is an initiator on the CardBus interface. This bit is common between each socket. 0 = Master aborts not reported (default). 1 = Signal target abort on PCI and signal $\overline{\text{SERR}}$, if enabled.
4	RSVD	R	This bit returns 0 when read.
3	VGAEN	RW	VGA enable. This bit affects how the PCI7510 device responds to VGA addresses. When this bit is set, accesses to VGA addresses will be forwarded.
2	ISAEN	RW	ISA mode enable. This bit affects how the PCI7510 device passes I/O cycles within the 64-Kbyte ISA range. This bit is not common between sockets. When this bit is set, the PCI7510 device does not forward the last 768 bytes of each 1K I/O range to CardBus.
1	CSERREN	RW	$\overline{\text{CSERR}}$ enable. This bit controls the response of the PCI7510 device to $\overline{\text{CSERR}}$ signals on the CardBus bus. This bit is separate for each socket. 0 = $\overline{\text{CSERR}}$ is not forwarded to PCI $\overline{\text{SERR}}$ (default) 1 = $\overline{\text{CSERR}}$ is forwarded to PCI $\overline{\text{SERR}}$.

† One or more bits in this register are PME context bits and can be cleared only by the assertion of $\overline{\text{GRST}}$ when $\overline{\text{PME}}$ is enabled. If $\overline{\text{PME}}$ is not enabled, then this bit is cleared by the assertion of $\overline{\text{PRST}}$ or $\overline{\text{GRST}}$.

Table 4–7. Bridge Control Register Description (Continued)

BIT	SIGNAL	TYPE	FUNCTION
0	CPERREN	RW	CardBus parity error response enable. This bit controls the response of the PCI7510 to CardBus parity errors. This bit is separate for each socket. 0 = CardBus parity errors are ignored (default). 1 = CardBus parity errors are reported using CPERR.

4.27 Subsystem Vendor ID Register

The subsystem vendor ID register, used for system and option card identification purposes, may be required for certain operating systems. This register is read-only or read/write, depending on the setting of bit 5 (SUBSYSRW) in the system control register (PCI offset 80h, See Section 4.30). When bit 5 is 0, this register is read/write; when bit 5 is 1, this register is read-only. The default mode is read-only. All bits in this register are reset by $\overline{\text{GRST}}$ only.

Bit	15	14	13	12	11	10	9	8	7	6	5	4	3	2	1	0
Name	Subsystem vendor ID															
Type	R	R	R	R	R	R	R	R	R	R	R	R	R	R	R	R
Default	0	0	0	0	0	0	0	0	0	0	0	0	0	0	0	0

Register: **Subsystem vendor ID**
 Offset: 40h (Functions 0, 1)
 Type: Read-only, (Read/Write when bit 5 in the system control register is 0)
 Default: 0000h

4.28 Subsystem ID Register

The subsystem ID register, used for system and option card identification purposes, may be required for certain operating systems. This register is read-only or read/write, depending on the setting of bit 5 (SUBSYSRW) in the system control register (PCI offset 80h, see Section 4.30). When bit 5 is 0, this register is read/write; when bit 5 is 1, this register is read-only. The default mode is read-only. All bits in this register are reset by $\overline{\text{GRST}}$ only.

If an EEPROM is present, then the subsystem ID and subsystem vendor ID is loaded from the EEPROM after a reset.

Bit	15	14	13	12	11	10	9	8	7	6	5	4	3	2	1	0
Name	Subsystem ID															
Type	R	R	R	R	R	R	R	R	R	R	R	R	R	R	R	R
Default	0	0	0	0	0	0	0	0	0	0	0	0	0	0	0	0

Register: **Subsystem ID**
 Offset: 42h (Functions 0, 1)
 Type: Read-only, (Read/Write when bit 5 in the system control register is 0)
 Default: 0000h

4.29 PC Card 16-Bit I/F Legacy-Mode Base-Address Register

The PCI7510 device supports the index/data scheme of accessing the ExCA registers, which is mapped by this register. An address written to this register is the address for the index register and the address+1 is the data address. Using this access method, applications requiring index/data ExCA access can be supported. The base address can be mapped anywhere in 32-bit I/O space on a word boundary; hence, bit 0 is read-only, returning 1 when read. As specified in the *PCI to PCMCIA CardBus Bridge Register Description* specification, this register is shared by functions 0 and 1. See the ExCA register set description in Section 5 for register offsets. All bits in this register are reset by GRST only.

Bit	31	30	29	28	27	26	25	24	23	22	21	20	19	18	17	16
Name	PC Card 16-bit I/F legacy-mode base-address															
Type	RW	RW	RW	RW	RW	RW	RW	RW	RW	RW	RW	RW	RW	RW	RW	RW
Default	0	0	0	0	0	0	0	0	0	0	0	0	0	0	0	0
Bit	15	14	13	12	11	10	9	8	7	6	5	4	3	2	1	0
Name	PC Card 16-bit I/F legacy-mode base-address															
Type	RW	RW	RW	RW	RW	RW	RW	RW	RW	RW	RW	RW	RW	RW	RW	R
Default	0	0	0	0	0	0	0	0	0	0	0	0	0	0	0	1

Register: **PC Card 16-bit I/F legacy-mode base-address**

Offset: 44h (Functions 0, 1)

Type: Read-only, Read/Write

Default: 0000 0001h

4.30 System Control Register

System-level initializations are performed through programming this doubleword register. Some of the bits are global in nature and must be accessed only through function 0. See Table 4–8 for a complete description of the register contents.

Bit	31	30	29	28	27	26	25	24	23	22	21	20	19	18	17	16
Name	System control															
Type	RW	RW	RW	RW	R	RW	RW	RW	R	RW	RW	RW	RW	RW	RW	RW
Default	0	0	0	0	1	0	0	0	0	0	0	0	0	0	0	0
Bit	15	14	13	12	11	10	9	8	7	6	5	4	3	2	1	0
Name	System control															
Type	RW	RW	R	R	R	R	R	R	R	RW	RW	RW	RW	R	RW	RW
Default	1	0	0	1	0	0	0	0	0	1	1	0	0	0	0	0

Register: **System control**
 Offset: 80h (Functions 0, 1)
 Type: Read-only, Read/Write
 Default: 0800 9060h

Table 4–8. System Control Register Description

BIT	SIGNAL	TYPE	FUNCTION
31–30 ‡§	SER_STEP	RW	Serial input stepping. In serial PCI interrupt mode, these bits are used to configure the serial stream PCI interrupt frames, and can be used to accomplish an even distribution of interrupts signaled on the four PCI interrupt slots. 00 = $\overline{INTA}/\overline{INTB}/\overline{INTC}$ signal in $\overline{INTA}/\overline{INTB}/\overline{INTC}$ slots (default) 01 = $\overline{INTA}/\overline{INTB}/\overline{INTC}$ signal in $\overline{INTB}/\overline{INTC}/\overline{INTD}$ slots 10 = $\overline{INTA}/\overline{INTB}/\overline{INTC}$ signal in $\overline{INTC}/\overline{INTD}/\overline{INTA}$ slots 11 = $\overline{INTA}/\overline{INTB}/\overline{INTC}$ signal in $\overline{INTD}/\overline{INTA}/\overline{INTB}$ slots
29 ‡§	INTRTIE	RW	This bit ties \overline{INTA} to \overline{INTB} internally (to \overline{INTA}), and reports this through the interrupt pin register (PCI offset 3Dh, see Section 4.25). This bit has no effect on \overline{INTC} .
28 ‡	TIEALL	RW	This bit ties \overline{INTA} , \overline{INTB} , and \overline{INTC} internally (to \overline{INTA}), and reports this through the interrupt pin register (PCI offset 3Dh, see Section 4.25).
27 ‡	RSVD	RW	Internal oscillator is always enabled.
26 ‡§	SMIROUTE	RW	SMI interrupt routing. This bit is shared between functions 0 and 1, and selects whether IRQ2 or CSC is signaled when a write occurs to power a PC Card socket. 0 = PC Card power change interrupts are routed to IRQ2 (default). 1 = A CSC interrupt is generated on PC Card power changes.
25 ‡	SMISTATUS	RW	SMI interrupt status. This socket-dependent bit is set when a write occurs to set the socket power, and the SMIENB bit is set. Writing a 1 to this bit clears the status. 0 = SMI interrupt is signaled. 1 = SMI interrupt is not signaled.
24 ‡§	SMIENB	RW	SMI interrupt mode enable. When this bit is set, the SMI interrupt signaling generates an interrupt when a write to the socket power control occurs. This bit is shared and defaults to 0 (disabled). 0 = SMI interrupt mode is disabled (default). 1 = SMI interrupt mode is enabled.
23	RSVD	R	Reserved
22 ‡	CBRSVD	RW	CardBus reserved terminals signaling. When this bit is set, the RSVD CardBus terminals are driven low when a CardBus card has been inserted. When this bit is low, these signals are placed in a high-impedance state. 0 = Place the CardBus RSVD terminals in a high-impedance state. 1 = Drive the CardBus RSVD terminals low (default).

‡ One or more bits in this register are cleared only by the assertion of \overline{GRST} .

§ These bits are global in nature and must be accessed only through function 0.

Table 4–8. System Control Register Description (continued)

BIT	SIGNAL	TYPE	FUNCTION
21 †	VCCPROT	RW	V _{CC} protection enable. This bit is socket dependent. 0 = V _{CC} protection is enabled for 16-bit cards (default). 1 = V _{CC} protection is disabled for 16-bit cards.
20 †	REDUCEZV	RW	Reduced zoomed video enable. When this bit is enabled, AD25–AD22 of the card interface for 16-bit PC Cards are placed in the high impedance state. This bit is encoded as: 0 = Reduced zoomed video is disabled (default). 1 = Reduced zoomed video is enabled.
19–16 †	RSVD	R	Reserved. These bits return 0s when read.
15 †§	MRBURSTDN	RW	Memory read burst enable downstream. When this bit is set, the PCI7510 device allows memory read transactions to burst downstream. 0 = MRBURSTDN downstream is disabled. 1 = MRBURSTDN downstream is enabled (default).
14 †§	MRBURSTUP	RW	Memory read burst enable upstream. When this bit is set, the PCI7510 device allows memory read transactions to burst upstream. 0 = MRBURSTUP upstream is disabled (default). 1 = MRBURSTUP upstream is enabled.
13 †	SOCACTIVE	R	Socket activity status. When set, this bit indicates access has been performed to or from a PC Card. Reading this bit causes it to be cleared. This bit is socket dependent. 0 = No socket activity (default) 1 = Socket activity
12	RSVD	R	Reserved. This bit returns 1 when read.
11 †	PWRSTREAM	R	Power-stream-in-progress status bit. When set, this bit indicates that a power stream to the power switch is in progress and a powering change has been requested. When this bit is cleared, it indicates that the power stream is complete. 0 = Power stream is complete, delay has expired (default). 1 = Power stream is in progress.
10 †	DELAYUP	R	Power-up delay-in-progress status bit. When set, this bit indicates that a power-up stream has been sent to the power switch, and proper power may not yet be stable. This bit is cleared when the power-up delay has expired. 0 = Power-up delay has expired (default). 1 = Power-up stream sent to switch. Power might not be stable.
9 †	DELAYDOWN	R	Power-down delay-in-progress status bit. When set, this bit indicates that a power-down stream has been sent to the power switch, and proper power may not yet be stable. This bit is cleared when the power-down delay has expired. 0 = Power-down delay has expired (default). 1 = Power-down stream sent to switch. Power might not be stable.
8 †	INTERROGATE	R	Interrogation in progress. When set, this bit indicates an interrogation is in progress, and clears when the interrogation completes. This bit is socket-dependent. 0 = Interrogation not in progress (default) 1 = Interrogation in progress
7	RSVD	R	Reserved. This bit returns 0 when read.
6 †§	PWRSVINGS	RW	Power savings mode enable. When this bit is set, the PCI7510 device consumes less power with no performance loss. This bit is shared between the two PCI7510 CardBus functions. 0 = Power savings mode disabled 1 = Power savings mode enabled (default)
5 †§	SUBSYSRW	RW	Subsystem ID and subsystem vendor ID, ExCA ID and revision register read/write enable. This bit also controls read/write for the function 3 subsystem ID register. 0 = Registers are read/write. 1 = Registers are read-only (default).

† One or more bits in this register are PME context bits and can be cleared only by the assertion of \overline{GRST} when \overline{PME} is enabled. If \overline{PME} is not enabled, then this bit is cleared by the assertion of \overline{PRST} or \overline{GRST} .

‡ One or more bits in this register are cleared only by the assertion of \overline{GRST} .

§ These bits are global in nature and must be accessed only through function 0.

Table 4–8. System Control Register Description (continued)

BIT	SIGNAL	TYPE	FUNCTION
4 ‡§	CB_DPAR	RW	CardBus data parity SERR signaling enable. 0 = CardBus data parity not signaled on $\overline{\text{PCI_SERR}}$ signal (default) 1 = CardBus data parity signaled on PCI SERR signal
3 ‡§	CDMA_EN	RW	PC/PCI DMA enable. Enables PC/PCI DMA when set. When PC/PCI DMA is enabled, $\overline{\text{PCREQ}}$ and $\overline{\text{PCGNT}}$ must be routed to a multifunction routing terminal. See <i>Multifunction Routing Status Register</i> (PCI offset 8Ch, see Section 4.36) for options. 0 = Centralized DMA disabled (default) 1 = Centralized DMA enabled
2 ‡	EXCAPOWER	R	ExCA power control bit. 0 = Enables 3.3 V (default) 1 = Enables 5 V
1 ‡§	KEEPCLK	RW	Keep clock. When this bit is set, the PCI7510 device follows the $\overline{\text{CLKRUN}}$ protocol to maintain the system PCLK and the CCLK (CardBus clock). This bit is global to the PCI7510 functions. 0 = Allow system PCLK and CCLK to stop (default) 1 = Never allow system PCLK or CCLK clock to stop Note that the functionality of this bit has changed relative to that of the PCI12XX family of TI CardBus controllers. In these CardBus controllers, setting this bit only maintains the PCI clock, not the CCLK. In the PCI7510 device, setting this bit maintains both the PCI clock and the CCLK.
0 ‡§	RIMUX	RW	$\overline{\text{PME/RI_OUT}}$ select bit. When this bit is 1, the PME signal is routed to the $\overline{\text{PME/RI_OUT}}$ terminal (PDV 21, GHK J03). When this bit is 0 and bit 7 (RIENB) of the card control register is 1, the $\overline{\text{RI_OUT}}$ signal is routed to the $\overline{\text{PME/RI_OUT}}$ terminal (PDV 21, GHK J03). If this bit is 0 and bit 7 (RIENB) of the card control register is 0, then the output (PDV 21, GHK J03) is placed in a high-impedance state. This terminal is encoded as: 0 = $\overline{\text{RI_OUT}}$ signal is routed to the $\overline{\text{PME/RI_OUT}}$ terminal (PDV 21, GHK J03) if bit 7 of the card control register is 1. (default) 1 = $\overline{\text{PME}}$ signal is routed to the $\overline{\text{PME/RI_OUT}}$ terminal (PDV 21, GHK J03) of the PCI7510 controller. NOTE: If this bit (bit 0) is 0 and bit 7 of the card control register (PCI offset 91h, see Section 4.38) is 0, then the output on the $\overline{\text{PME/RI_OUT}}$ terminal (PDV 21, GHK J03) is placed in a high-impedance state.

‡ One or more bits in this register are cleared only by the assertion of $\overline{\text{GRST}}$.

§ These bits are global in nature and must be accessed only through function 0.

4.31 General Control Register

The general control register provides top level PCI arbitration control. See Table 4–9 for a complete description of the register contents.

Bit	15	14	13	12	11	10	9	8	7	6	5	4	3	2	1	0
Name	General control															
Type	R	R	R	R	R	R	RW	RW	R	R	RW	RW	RW	R	RW	RW
Default	0	0	0	0	0	0	0	0	0	0	0	0	0	0	0	0

Register: **General control**
 Offset: 86h
 Type: Read/Write, Read-only
 Default: 0000h

Table 4–9. General Control Register Description

BIT	SIGNAL	TYPE	FUNCTION
15–13 ‡	RSVD	RW	These bits are for test purposes and must not be changed from their default values of 000b.
12 ‡	IO_LIMIT_SEL	RW	When this bit is set, bit 0 in the I/O limit registers (PCI offsets 30h and 38h) for both CardBus functions is set. 0 = Bit 0 in the I/O limit registers is 0 (default) 1 = Bit 0 in the I/O limit registers is 1
11 ‡	IO_BASE_SEL	RW	When this bit is set, bit 0 in the I/O base registers (PCI offsets 2Ch and 34h) for both CardBus functions is set. 0 = Bit 0 in the I/O base registers is 0 (default) 1 = Bit 0 in the I/O base registers is 1
10 ‡	12V_SW_SEL	RW	Power switch select. This bit selects which power switch is implemented in the system. 0 = A 1.8-V capable power switch (TPS2221) is used (default) 1 = A 12-V capable power switch (TPS2211) is used
9–8	RSVD	R	Reserved. These bits return 0 when read.
7 ‡	PCI2_3_EN	RW	PCI 2.3 enable. When this bit is set, the PCI7510 CardBus functions conform to the PCI 2.3 specification. When in the PCI 2.3 mode, the INT_DISABLE and INT_STATUS bits per the PCI 2.3 specification are functional. When this bit is cleared, the function conforms to the PCI 2.2 specification and all PCI 2.3 bits are disabled. 0 = PCI 2.2 mode (default) 1 = PCI 2.3 mode
6	RSVD	R	Reserved. This bit returns 0 when read.
5 ‡	DISABLE_FWL	RW	When this bit is set, the firmware loader function is completely nonaccessible and nonfunctional.
4 ‡	DISABLE_DED_SKT	RW	When this bit is set, the dedicated socket function is completely nonaccessible and nonfunctional.
3 ‡	DISABLE_OHCI	RW	When set, the OHCI 1394 controller function is completely nonaccessible and nonfunctional.
2	RSVD	R	Reserved. This bit returns 0 when read.
1–0 ‡	ARB_CTRL	RW	Controls top level PCI arbitration: 00 = 1394 OHCI priority 10 = Fair round robin 01 = CardBus priority 11 = Fair round robin

‡ One or more bits in this register are cleared only by the assertion of $\overline{\text{GRST}}$.

4.32 General-Purpose Event Status Register

The general-purpose event status register contains status bits that are set when general events occur, and can be programmed to generate general-purpose event signaling through $\overline{\text{GPE}}$. See Table 4–10 for a complete description of the register contents.

Bit	7	6	5	4	3	2	1	0
Name	General-purpose event status							
Type	RCU	RCU	R	RCU	RCU	RCU	RCU	RCU
Default	0	0	0	0	0	0	0	0

Register: **General-purpose event status**
 Offset: 88h
 Type: Read/Clear/Update, Read-only
 Default: 00h

Table 4–10. General-Purpose Event Status Register Description

BIT	SIGNAL	TYPE	FUNCTION
7 ‡	PWR_STS	RCU	Power change status. This bit is set when software changes the V_{CC} or V_{PP} power state of either socket.
6 ‡	VPP12_STS	RCU	12-V V_{PP} request status. This bit is set when software has changed the requested V_{PP} level to or from 12 V for either socket.
5	RSVD	R	Reserved. This bit returns 0 when read. A write has no effect.
4 ‡	GP4_STS	RCU	GPI4 status. This bit is set on a change in status of the MFUNC5 terminal input level if configured as a general-purpose input, GPI4.
3 ‡	GP3_STS	RCU	GPI3 status. This bit is set on a change in status of the MFUNC4 terminal input level if configured as a general-purpose input, GPI3.
2 ‡	GP2_STS	RCU	GPI2 status. This bit is set on a change in status of the MFUNC2 terminal input level if configured as a general-purpose input, GPI2.
1 ‡	GP1_STS	RCU	GPI1 status. This bit is set on a change in status of the MFUNC1 terminal input level if configured as a general-purpose input, GPI1.
0 ‡	GP0_STS	RCU	GPI0 status. This bit is set on a change in status of the MFUNC0 terminal input level if configured as a general-purpose input, GPI0.

‡ One or more bits in this register are cleared only by the assertion of $\overline{\text{GRST}}$.

4.33 General-Purpose Event Enable Register

The general-purpose event enable register contains bits that are set to enable $\overline{\text{GPE}}$ signals. See Table 4–11 for a complete description of the register contents.

Bit	7	6	5	4	3	2	1	0
Name	General-purpose event enable							
Type	RW	RW	R	RW	RW	RW	RW	RW
Default	0	0	0	0	0	0	0	0

Register: **General-purpose event enable**
 Offset: 89h
 Type: Read-only, Read/Write
 Default: 00h

Table 4–11. General-Purpose Event Enable Register Description

BIT	SIGNAL	TYPE	FUNCTION
7 ‡	PWR_EN	RW	Power change $\overline{\text{GPE}}$ enable. When this bit is set, $\overline{\text{GPE}}$ is signaled on PWR_STS events.
6 ‡	VPP12_EN	RW	12-V V_{PP} $\overline{\text{GPE}}$ enable. When this bit is set, $\overline{\text{GPE}}$ is signaled on VPP12_STS events.
5	RSVD	R	Reserved. This bit returns 0 when read. A write has no effect.
4 ‡	GP4_EN	RW	GPI4 $\overline{\text{GPE}}$ enable. When this bit is set, $\overline{\text{GPE}}$ is signaled on GP4_STS events.
3 ‡	GP3_EN	RW	GPI3 $\overline{\text{GPE}}$ enable. When this bit is set, $\overline{\text{GPE}}$ is signaled on GP3_STS events.
2 ‡	GP2_EN	RW	GPI2 $\overline{\text{GPE}}$ enable. When this bit is set, $\overline{\text{GPE}}$ is signaled on GP2_STS events.
1 ‡	GP1_EN	RW	GPI1 $\overline{\text{GPE}}$ enable. When this bit is set, $\overline{\text{GPE}}$ is signaled on GP1_STS events.
0 ‡	GP0_EN	RW	GPI0 $\overline{\text{GPE}}$ enable. When this bit is set, $\overline{\text{GPE}}$ is signaled on GP0_STS events.

‡ One or more bits in this register are cleared only by the assertion of $\overline{\text{GRST}}$.

4.34 General-Purpose Input Register

The general-purpose input register contains the logical value of the data input to the GPI terminals. See Table 4–12 for a complete description of the register contents.

Bit	7	6	5	4	3	2	1	0
Name	General-purpose input							
Type	R	R	R	RU	RU	RU	RU	RU
Default	0	0	0	X	X	X	X	X

Register: **General-purpose input**
 Offset: 8Ah
 Type: Read/Update, Read-only
 Default: XXh

Table 4–12. General-Purpose Input Register Description

BIT	SIGNAL	TYPE	FUNCTION
7–5	RSVD	R	Reserved. These bits return 0s when read. Writes have no effect.
4	GPI4_DATA	RU	GPI4 data input. This bit represents the logical value of the data input from GPI4.
3	GPI3_DATA	RU	GPI3 data input. This bit represents the logical value of the data input from GPI3.
2	GPI2_DATA	RU	GPI2 data input. This bit represents the logical value of the data input from GPI2.
1	GPI1_DATA	RU	GPI1 data input. This bit represents the logical value of the data input from GPI1.
0	GPI0_DATA	RU	GPI0 data input. This bit represents the logical value of the data input from GPI0.

4.35 General-Purpose Output Register

The general-purpose output register is used to drive the GPO4–GPO0 outputs. See Table 4–13 for a complete description of the register contents.

Bit	7	6	5	4	3	2	1	0
Name	General-purpose output							
Type	R	R	R	RW	RW	RW	RW	RW
Default	0	0	0	0	0	0	0	0

Register: **General-purpose output**
 Offset: 8Bh
 Type: Read-only, Read/Write
 Default: 00h

Table 4–13. General-Purpose Output Register Description

BIT	SIGNAL	TYPE	FUNCTION
7–5	RSVD	R	Reserved. These bits return 0s when read. Writes have no effect.
4 ‡	GPO4_DATA	RW	This bit represents the logical value of the data driven to GPO4.
3 ‡	GPO3_DATA	RW	This bit represents the logical value of the data driven to GPO3.
2 ‡	GPO2_DATA	RW	This bit represents the logical value of the data driven to GPO2.
1 ‡	GPO1_DATA	RW	This bit represents the logical value of the data driven to GPO1.
0 ‡	GPO0_DATA	RW	This bit represents the logical value of the data driven to GPO0.

‡ One or more bits in this register are cleared only by the assertion of $\overline{\text{GRST}}$.

4.36 Multifunction Routing Status Register

The multifunction routing status register is used to configure the MFUNC6–MFUNC0 terminals. These terminals may be configured for various functions. This register is intended to be programmed once at power-on initialization. The default value for this register can also be loaded through a serial EEPROM. See Table 4–14 for a complete description of the register contents.

Bit	31	30	29	28	27	26	25	24	23	22	21	20	19	18	17	16
Name	Multifunction routing status															
Type	R	RW	RW	RW	R	RW	RW	RW	R	RW	RW	RW	R	RW	RW	RW
Default	0	0	0	0	0	0	0	0	0	0	0	0	0	0	0	0
Bit	15	14	13	12	11	10	9	8	7	6	5	4	3	2	1	0
Name	Multifunction routing status															
Type	R	RW	RW	RW	R	RW	RW	RW	R	RW	RW	RW	R	RW	RW	RW
Default	0	0	0	1	0	0	0	0	0	0	0	0	0	0	0	0

Register: **Multifunction routing status**
 Offset: 8Ch
 Type: Read/Write, Read-only
 Default: 0000 1000h

Table 4–14. Multifunction Routing Status Register Description

BIT	SIGNAL	TYPE	FUNCTION
31–28 ‡	RSVD	R	Bits 31–28 return 0s when read.
27–24 ‡	MFUNC6	RW	Multifunction terminal 6 configuration. These bits control the internal signal mapped to the MFUNC6 terminal as follows: 0000 = <u>RSVD</u> 0100 = IRQ4 1000 = IRQ8 1100 = IRQ12 0001 = <u>CLKRUN</u> 0101 = IRQ5 1001 = IRQ9 1101 = IRQ13 0010 = <u>IRQ2</u> 0110 = IRQ6 1010 = IRQ10 1110 = IRQ14 0011 = <u>IRQ3</u> 0111 = IRQ7 1011 = IRQ11 1111 = IRQ15
23–20 ‡	MFUNC5	RW	Multifunction terminal 5 configuration. These bits control the internal signal mapped to the MFUNC5 terminal as follows: 0000 = <u>GPI4</u> 0100 = IRQ4 1000 = CAUDPWM 1100 = LEDA1 0001 = <u>GPO4</u> 0101 = IRQ5 1001 = IRQ9 1101 = LED_SKT 0010 = <u>PCGNT</u> 0110 = ZVSTAT 1010 = IRQ10 1110 = <u>GPE</u> 0011 = <u>IRQ3</u> 0111 = RSVD 1011 = OHCI_LED 1111 = IRQ15
19–16 ‡	MFUNC4	RW	Multifunction terminal 4 configuration. These bits control the internal signal mapped to the MFUNC4 terminal as follows: 0000 = <u>GPI3</u> 0100 = IRQ4 1000 = CAUDPWM 1100 = <u>RI_OUT</u> 0001 = <u>GPO3</u> 0101 = IRQ5 1001 = IRQ9 1101 = LED_SKT 0010 = <u>LOCK PCI</u> 0110 = ZVSTAT 1010 = RSVD 1110 = <u>GPE</u> 0011 = <u>IRQ3</u> 0111 = RSVD 1011 = IRQ11 1111 = IRQ15
15–12 ‡	MFUNC3	RW	Multifunction terminal 3 configuration. These bits control the internal signal mapped to the MFUNC3 terminal as follows: 0000 = <u>RSVD</u> 0100 = IRQ4 1000 = IRQ8 1100 = IRQ12 0001 = <u>IRQSER</u> 0101 = IRQ5 1001 = IRQ9 1101 = IRQ13 0010 = <u>IRQ2</u> 0110 = IRQ6 1010 = IRQ10 1110 = IRQ14 0011 = <u>IRQ3</u> 0111 = IRQ7 1011 = IRQ11 1111 = IRQ15
11–8 ‡	MFUNC2	RW	Multifunction terminal 2 configuration. These bits control the internal signal mapped to the MFUNC2 terminal as follows: 0000 = <u>GPI2</u> 0100 = IRQ4 1000 = CAUDPWM 1100 = <u>RI_OUT</u> 0001 = <u>GPO2</u> 0101 = IRQ5 1001 = IRQ9 1101 = TEST_MUX 0010 = <u>PCREQ</u> 0110 = <u>ZVSTAT</u> 1010 = IRQ10 1110 = <u>GPE</u> 0011 = <u>IRQ3</u> 0111 = <u>ZVSEL0</u> 1011 = INTC 1111 = IRQ7

‡ One or more bits in this register are cleared only by the assertion of GRST.

Table 4–14. Multifunction Routing Status Register Description (Continued)

BIT	SIGNAL	TYPE	FUNCTION
7–4 ‡	MFUNC1	RW	Multifunction terminal 1 configuration. These bits control the internal signal mapped to the MFUNC1 terminal as follows: 0000 = GPI1 0100 = OHCI_LED 1000 = CAUDPWM 1100 = LEDA1 0001 = GPO1 0101 = IRQ5 1001 = IRQ9 1101 = LEDA2 0010 = INTB 0110 = ZVSTAT 1010 = IRQ10 1110 = GPE 0011 = IRQ3 0111 = ZVSEL0 1011 = IRQ11 1111 = IRQ15
3–0 ‡	MFUNC0	RW	Multifunction terminal 0 configuration. These bits control the internal signal mapped to the MFUNC0 terminal as follows: 0000 = GPIO 0100 = IRQ4 1000 = CAUDPWM 1100 = LEDA1 0001 = GPO0 0101 = IRQ5 1001 = IRQ9 1101 = LEDA2 0010 = INTA 0110 = ZVSTAT 1010 = IRQ10 1110 = GPE 0011 = IRQ3 0111 = ZVSEL0 1011 = IRQ11 1111 = IRQ15

‡ One or more bits in this register are cleared only by the assertion of $\overline{\text{GRST}}$.

4.37 Retry Status Register

The contents of the retry status register enable the retry time-out counters and display the retry expiration status. The flags are set when the PCI7510 device, as a master, receives a retry and does not retry the request within 2^{15} clock cycles. The flags are cleared by writing a 1 to the bit. Access this register only through function 0. See Table 4–15 for a complete description of the register contents.

Bit	7	6	5	4	3	2	1	0
Name	Retry status							
Type	RW	RW	RC	R	RC	R	RC	R
Default	1	1	0	0	0	0	0	0

Register: **Retry status**
 Offset: 90h (Functions 0, 1)
 Type: Read-only, Read/Write, Read/Clear
 Default: C0h

Table 4–15. Retry Status Register Description

BIT	SIGNAL	TYPE	FUNCTION
7 ‡	PCIRETRY	RW	PCI retry time-out counter enable. This bit is encoded as: 0 = PCI retry counter disabled 1 = PCI retry counter enabled (default)
6 ‡§	CBRETRY	RW	CardBus retry time-out counter enable. This bit is encoded as: 0 = CardBus retry counter disabled 1 = CardBus retry counter enabled (default)
5 ‡	TEXP_CBB	RC	CardBus target B retry expired. Write a 1 to clear this bit. 0 = Inactive (default) 1 = Retry has expired.
4	RSVD	R	Reserved. This bit returns 0 when read.
3 ‡§	TEXP_CBA	RC	CardBus target A retry expired. Write a 1 to clear this bit. 0 = Inactive (default) 1 = Retry has expired.
2	RSVD	R	Reserved. This bit returns 0 when read.
1 ‡	TEXP_PCI	RC	PCI target retry expired. Write a 1 to clear this bit. 0 = Inactive (default) 1 = Retry has expired.
0	RSVD	R	Reserved. This bit returns 0 when read.

‡ One or more bits in this register are cleared only by the assertion of $\overline{\text{GRST}}$.

§ These bits are global in nature and must be accessed only through function 0.

4.38 Card Control Register

The card control register is provided for PCI1130 compatibility. RI_OUT is enabled through this register, and the enable bit is shared between functions 0 and 1. See Table 4–16 for a complete description of the register contents.

The RI_OUT signal is enabled through this register, and the enable bit is shared between functions 0 and 1.

Bit	7	6	5	4	3	2	1	0
Name	Card control							
Type	RW	RW	RW	R	R	RW	RW	RW
Default	0	0	0	0	0	0	0	0

Register: **Card control**
 Offset: 91h
 Type: Read-only, Read/Write
 Default: 00h

Table 4–16. Card Control Register Description

BIT	SIGNAL	TYPE	FUNCTION
7 ‡§	RIENB	RW	Ring indicate enable. When this bit is 1, the RI_OUT output is enabled. This bit defaults to 0.
6 ‡	ZVENABLE	RW	Compatibility ZV mode enable. When this bit is 1, the corresponding PC Card socket interface ZV terminals enter a high-impedance state. This bit defaults to 0.
5 ‡	PORT_SEL	RW	Port select. This bit controls the priority for the ZV_SEL0 and ZV_SEL1 signaling if bit 6 (ZVENABLE) is set in both functions. 0 = Socket 0 takes priority, as signaled through ZV_SEL0, when both sockets are in ZV mode. 1 = Socket 1 takes priority, as signaled through ZV_SEL1, when both sockets are in ZV mode.
4–3	RSVD	R	Reserved. These bits default to 0.
2 ‡	AUD2MUX	RW	CardBus audio-to-MFUNC. When this bit is set, the CAUDIO CardBus signal must be routed through an MFUNC terminal. If this bit is set for both functions, then function 0 is routed. 0 = CAUDIO set to CAUDPWM on MFUNC terminal (default) 1 = CAUDIO is not routed.
1 ‡	SPKROUTEN	RW	When bit 1 is set, the SPKR terminal from the PC Card is enabled and is routed to the SPKROUT terminal. The SPKR signal from socket 0 is XORed with the SPKR signal from socket 1 and sent to SPKROUT. The SPKROUT terminal drives data only when the SPKROUTEN bit of either function is set. This bit is encoded as: 0 = SPKR to SPKROUT not enabled (default) 1 = SPKR to SPKROUT enabled
0 ‡	IFG	RW	Interrupt flag. This bit is the interrupt flag for 16-bit I/O PC Cards and for CardBus cards. This bit is set when a functional interrupt is signaled from a PC Card interface, and is socket dependent (i.e., not global). Write back a 1 to clear this bit. 0 = No PC Card functional interrupt detected (default) 1 = PC Card functional interrupt detected

‡ One or more bits in this register are cleared only by the assertion of GRST.

§ This bit is global in nature and must be accessed only through function 0.

4.39 Device Control Register

The device control register is provided for PCI1130 compatibility. It contains bits that are shared between functions 0 and 1. The interrupt mode select is programmed through this register. The socket-capable force bits are also programmed through this register. See Table 4–17 for a complete description of the register contents.

Bit	7	6	5	4	3	2	1	0
Name	Device control							
Type	RW	RW	RW	R	RW	RW	RW	RW
Default	0	1	1	0	0	1	1	0

Register: **Device control**
 Offset: 92h (Functions 0, 1)
 Type: Read-only, Read/Write
 Default: 66h

Table 4–17. Device Control Register Description

BIT	SIGNAL	TYPE	FUNCTION
7 ‡	SKTPWR_LOCK	RW	Socket power lock bit. When this bit is set to 1, software cannot power down the PC Card socket while in D3. It may be necessary to lock socket power in order to support wake on LAN or RING if the operating system is programmed to power down a socket when the CardBus controller is placed in the D3 state.
6 ‡§	3VCAPABLE	RW	3-V socket capable force bit. 0 = Not 3-V capable 1 = 3-V capable (default)
5 ‡	IO16R2	RW	Diagnostic bit. This bit defaults to 1.
4	RSVD	R	Reserved. This bit returns 0 when read. A write has no effect.
3 ‡§	TEST	RW	TI test bit. Write only 0 to this bit.
2–1 ‡§	INTMODE	RW	Interrupt mode. These bits select the interrupt signaling mode. The interrupt mode bits are encoded: 00 = Parallel PCI interrupts only 01 = Reserved 10 = IRQ serialized interrupts and parallel PCI interrupts \overline{INTA} and \overline{INTB} 11 = IRQ and PCI serialized interrupts (default)
0 ‡§	RSVD	RW	Reserved. Bit 0 is reserved for test purposes. Only a 0 must be written to this bit.

‡ One or more bits in this register are cleared only by the assertion of \overline{GRST} .

§ These bits are global in nature and must be accessed only through function 0.

4.40 Diagnostic Register

The diagnostic register is provided for internal TI test purposes. It is a read/write register, but only 0s must be written to it. See Table 4–18 for a complete description of the register contents.

Bit	7	6	5	4	3	2	1	0
Name	Diagnostic							
Type	RW	R	RW	RW	RW	RW	RW	RW
Default	0	1	1	0	0	0	0	0

Register: **Diagnostic**
 Offset: 93h (functions 0, 1)
 Type: Read/Write
 Default: 60h

Table 4–18. Diagnostic Register Description

BIT	SIGNAL	TYPE	FUNCTION
7 ‡§	TRUE_VAL	RW	This bit defaults to 0. This bit is encoded as: 0 = Reads true values in PCI vendor ID and PCI device ID registers (default) 1 = Returns all 1s to reads from the PCI vendor ID and PCI device ID registers
6 ‡	RSVD	R	Reserved. This bit is read-only and returns 1 when read.
5 ‡	CSC	RW	CSC interrupt routing control 0 = CSC interrupts routed to PCI if ExCA 803 bit 4 = 1 1 = CSC interrupts routed to PCI if ExCA 805 bits 7–4 = 0000b (default). In this case, the setting of ExCA 803 bit 4 is a don't care.
4 ‡§	DIAG4	RW	Diagnostic RETRY_DIS. Delayed transaction disable.
3 ‡§	DIAG3	RW	Diagnostic RETRY_EXT. Extends the latency from 16 to 64.
2 ‡§	DIAG2	RW	Diagnostic DISCARD_TIM_SEL_CB. Set = 2 ¹⁰ , reset = 2 ¹⁵ .
1 ‡§	DIAG1	RW	Diagnostic DISCARD_TIM_SEL_PCI. Set = 2 ¹⁰ , reset = 2 ¹⁵ .
0 ‡	ZV_EN	RW	Zoomed video enable. 0 = Enable new ZV register model (default) 1 = Disable new ZV register mode

‡ One or more bits in this register are cleared only by the assertion of \overline{GRST} .

§ This bit is global and is accessed only through function 0.

4.41 Capability ID Register

The capability ID register identifies the linked list item as the register for PCI power management. The register returns 01h when read, which is the unique ID assigned by the PCI SIG for the PCI location of the capabilities pointer and the value.

Bit	7	6	5	4	3	2	1	0
Name	Capability ID							
Type	R	R	R	R	R	R	R	R
Default	0	0	0	0	0	0	0	1

Register: **Capability ID**
 Offset: A0h
 Type: Read-only
 Default: 01h

4.42 Next Item Pointer Register

The contents of this register indicate the next item in the linked list of the PCI power management capabilities. Because the PCI7510 functions only include one capabilities item, this register returns 0s when read.

Bit	7	6	5	4	3	2	1	0
Name	Next item pointer							
Type	R	R	R	R	R	R	R	R
Default	0	0	0	0	0	0	0	0

Register: **Next item pointer**
 Offset: A1h
 Type: Read-only
 Default: 00h

4.43 Power Management Capabilities Register

The power management capabilities register contains information on the capabilities of the PC Card function related to power management. Both PCI7510 CardBus bridge functions support D0, D1, D2, and D3 power states. Default register value is FE12h for operation in accordance with *PCI Bus Power Management Interface Specification* revision 1.1. See Table 4–19 for a complete description of the register contents.

Bit	15	14	13	12	11	10	9	8	7	6	5	4	3	2	1	0
Name	Power management capabilities															
Type	RW	R	R	R	R	R	R	R	R	R	R	R	R	R	R	R
Default	1	1	1	1	1	1	1	0	0	0	0	1	0	0	1	0

Register: **Power management capabilities**
 Offset: A2h (Functions 0, 1)
 Type: Read-only, Read/Write
 Default: FE12h

Table 4–19. Power Management Capabilities Register Description

BIT	SIGNAL	TYPE	FUNCTION
15 ‡	PME support	RW	This 5-bit field indicates the power states from which the PCI7510 device functions can assert $\overline{\text{PME}}$. A 0 for any bit indicates that the function cannot assert the $\overline{\text{PME}}$ signal while in that power state. These 5 bits return 11111b when read. Each of these bits is described below: Bit 15 – defaults to a 1 indicating the $\overline{\text{PME}}$ signal can be asserted from the D3 _{COLD} state. This bit is read/write because wake-up support from D3 _{COLD} is contingent on the system providing an auxiliary power source to the V _{CC} terminals. If the system designer chooses not to provide an auxiliary power source to the V _{CC} terminals for D3 _{COLD} wake-up support, then BIOS must write a 0 to this bit.
14–11		R	Bit 14 – contains the value 1 to indicate that the $\overline{\text{PME}}$ signal can be asserted from the D3 _{HOT} state. Bit 13 – contains the value 1 to indicate that the $\overline{\text{PME}}$ signal can be asserted from the D2 state. Bit 12 – contains the value 1 to indicate that the $\overline{\text{PME}}$ signal can be asserted from the D1 state. Bit 11 – contains the value 1 to indicate that the $\overline{\text{PME}}$ signal can be asserted from the D0 state.
10		R	This bit returns a 1 when read, indicating that the function supports the D2 device power state.
9		R	This bit returns a 1 when read, indicating that the function supports the D1 device power state.
8–6		R	Reserved. These bits return 000b when read.
5	DSI	R	Device-specific initialization. This bit returns 0 when read.
4	AUX_PWR	R	Auxiliary power source. This bit is meaningful only if bit 15 (D3 _{COLD} supporting $\overline{\text{PME}}$) is set. When this bit is set, it indicates that support for $\overline{\text{PME}}$ in D3 _{COLD} requires auxiliary power supplied by the system by way of a proprietary delivery vehicle. A 0 (zero) in this bit field indicates that the function supplies its own auxiliary power source. If the function does not support PME while in the D3 _{COLD} state (bit 15=0), then this field must always return 0.
3	PMECLK	R	When this bit is 1, it indicates that the function relies on the presence of the PCI clock for $\overline{\text{PME}}$ operation. When this bit is 0, it indicates that no PCI clock is required for the function to generate $\overline{\text{PME}}$. Functions that do not support PME generation in any state must return 0 for this field.
2–0	Version	R	These 3 bits return 010b when read, indicating that there are 4 bytes of general-purpose power management (PM) registers as described in draft revision 1.1 of the <i>PCI Bus Power Management Interface Specification</i> .

‡ One or more bits in this register are cleared only by the assertion of $\overline{\text{GRST}}$.

4.44 Power Management Control/Status Register

The power management control/status register determines and changes the current power state of the PCI7510 CardBus function. The contents of this register are not affected by the internally generated reset caused by the transition from the D3_{hot} to D0 state. See Table 4–20 for a complete description of the register contents.

All PCI registers, ExCA registers, and CardBus registers are reset as a result of a D3_{hot}-to-D0 state transition, with the exception of the $\overline{\text{PME}}$ context bits (if $\overline{\text{PME}}$ is enabled) and the $\overline{\text{GRST}}$ only bits.

Bit	15	14	13	12	11	10	9	8	7	6	5	4	3	2	1	0
Name	Power management control/status															
Type	RWC	R	R	R	R	R	R	RW	R	R	R	R	R	R	RW	RW
Default	0	0	0	0	0	0	0	0	0	0	0	0	0	0	0	0

Register: **Power management control/status**
 Offset: A4h (Functions 0, 1)
 Type: Read-only, Read/Write, Read/Write/Clear
 Default: 0000h

Table 4–20. Power Management Control/Status Register Description

BIT	SIGNAL	TYPE	FUNCTION
15 †	PMESTAT	RC	PME status. This bit is set when the CardBus function would normally assert the $\overline{\text{PME}}$ signal, independent of the state of the $\overline{\text{PME_EN}}$ bit. This bit is cleared by a writeback of 1, and this also clears the $\overline{\text{PME}}$ signal if $\overline{\text{PME}}$ was asserted by this function. Writing a 0 to this bit has no effect.
14–13	DATASCALE	R	This 2-bit field returns 0s when read. The CardBus function does not return any dynamic data.
12–9	DATASEL	R	Data select. This 4-bit field returns 0s when read. The CardBus function does not return any dynamic data.
8 ‡	PME_ENABLE	RW	This bit enables the function to assert $\overline{\text{PME}}$. If this bit is cleared, then assertion of $\overline{\text{PME}}$ is disabled. This bit is not cleared by the assertion of $\overline{\text{PRST}}$. It is only cleared by the assertion of $\overline{\text{GRST}}$.
7–2	RSVD	R	Reserved. These bits return 0s when read.
1–0	PWRSTATE	RW	Power state. This 2-bit field is used both to determine the current power state of a function and to set the function into a new power state. This field is encoded as: 00 = D0 01 = D1 10 = D2 11 = D3 _{hot}

† One or more bits in this register are PME context bits and can be cleared only by the assertion of $\overline{\text{GRST}}$ when $\overline{\text{PME}}$ is enabled. If $\overline{\text{PME}}$ is not enabled, then this bit is cleared by the assertion of $\overline{\text{PRST}}$ or $\overline{\text{GRST}}$.

‡ One or more bits in this register are cleared only by the assertion of $\overline{\text{GRST}}$.

4.45 Power Management Control/Status Bridge Support Extensions Register

This register supports PCI bridge-specific functionality. It is required for all PCI-to-PCI bridges. See Table 4–21 for a complete description of the register contents.

Bit	7	6	5	4	3	2	1	0
Name	Power management control/status bridge support extensions							
Type	R	R	R	R	R	R	R	R
Default	1	1	0	0	0	0	0	0

Register: **Power management control/status bridge support extensions**
 Offset: A6h (Functions 0, 1)
 Type: Read-only
 Default: C0h

Table 4–21. Power Management Control/Status Bridge Support Extensions Register Description

BIT	SIGNAL	TYPE	FUNCTION
7	BPCC_EN	R	Bus power/clock control enable. This bit returns 1 when read. This bit is encoded as: 0 = Bus power/clock control is disabled. 1 = Bus power/clock control is enabled (default). A 0 indicates that the bus power/clock control policies defined in the <i>PCI Bus Power Management Interface Specification</i> are disabled. When the bus power/clock control enable mechanism is disabled, the power state field (bits 1–0) of the power management control/status register (PCI offset A4h, see Section 4.44) cannot be used by the system software to control the power or the clock of the secondary bus. A 1 indicates that the bus power/clock control mechanism is enabled.
6	$\overline{\text{B2_B3}}$	R	B2/B3 support for D3 _{hot} . The state of this bit determines the action that is to occur as a direct result of programming the function to D3 _{hot} . This bit is only meaningful if bit 7 (BPCC_EN) is a 1. This bit is encoded as: 0 = When the bridge is programmed to D3 _{hot} , its secondary bus has its power removed (B3). 1 = When the bridge function is programmed to D3 _{hot} , its secondary bus PCI clock is stopped (B2) (default).
5–0	RSVD	R	Reserved. These bits return 0s when read.

4.46 Power-Management Data Register

The power-management data register returns 0s when read, because the CardBus functions do not report dynamic data.

Bit	7	6	5	4	3	2	1	0
Name	Power-management data							
Type	R	R	R	R	R	R	R	R
Default	0	0	0	0	0	0	0	0

Register: **Power-management data**
 Offset: A7h (functions 0, 1)
 Type: Read-only
 Default: 00h

4.47 Serial Bus Data Register

The serial bus data register is for programmable serial bus byte reads and writes. This register represents the data when generating cycles on the serial bus interface. To write a byte, this register must be programmed with the data, the serial bus index register must be programmed with the byte address, the serial bus slave address must be programmed with the 7-bit slave address, and the read/write indicator bit must be reset.

On byte reads, the byte address is programmed into the serial bus index register, the serial bus slave address register must be programmed with both the 7-bit slave address and the read/write indicator bit, and bit 5 (REQBUSY) in the serial bus control and status register (see Section 4.50) must be polled until clear. Then the contents of this register are valid read data from the serial bus interface. See Table 4–22 for a complete description of the register contents.

Bit	7	6	5	4	3	2	1	0
Name	Serial bus data							
Type	RW	RW	RW	RW	RW	RW	RW	RW
Default	0	0	0	0	0	0	0	0

Register: **Serial bus data**
 Offset: B0h (function 0)
 Type: Read/Write
 Default: 00h

Table 4–22. Serial Bus Data Register Description

BIT	SIGNAL	TYPE	FUNCTION
7–0 ‡	SBDATA	RW	Serial bus data. This bit field represents the data byte in a read or write transaction on the serial interface. On reads, the REQBUSY bit must be polled to verify that the contents of this register are valid.

‡ One or more bits in this register are cleared only by the assertion of $\overline{\text{GRST}}$.

4.48 Serial Bus Index Register

The serial bus index register is for programmable serial bus byte reads and writes. This register represents the byte address when generating cycles on the serial bus interface. To write a byte, the serial bus data register must be programmed with the data, this register must be programmed with the byte address, and the serial bus slave address must be programmed with both the 7-bit slave address and the read/write indicator.

On byte reads, the word address is programmed into this register, the serial bus slave address must be programmed with both the 7-bit slave address and the read/write indicator bit, and bit 5 (REQBUSY) in the serial bus control and status register (see Section 4.50) must be polled until clear. Then the contents of the serial bus data register are valid read data from the serial bus interface. See Table 4–23 for a complete description of the register contents.

Bit	7	6	5	4	3	2	1	0
Name	Serial bus index							
Type	RW	RW	RW	RW	RW	RW	RW	RW
Default	0	0	0	0	0	0	0	0

Register: **Serial bus index**
 Offset: B1h (function 0)
 Type: Read/Write
 Default: 00h

Table 4–23. Serial Bus Index Register Description

BIT	SIGNAL	TYPE	FUNCTION
7–0 ‡	SINDEX	RW	Serial bus index. This bit field represents the byte address in a read or write transaction on the serial interface.

‡ One or more bits in this register are cleared only by the assertion of $\overline{\text{GRST}}$.

4.49 Serial Bus Slave Address Register

The serial bus slave address register is for programmable serial bus byte read and write transactions. To write a byte, the serial bus data register must be programmed with the data, the serial bus index register must be programmed with the byte address, and this register must be programmed with both the 7-bit slave address and the read/write indicator bit.

On byte reads, the byte address is programmed into the serial bus index register, this register must be programmed with both the 7-bit slave address and the read/write indicator bit, and bit 5 (REQBUSY) in the serial bus control and status register (see Section 4.50) must be polled until clear. Then the contents of the serial bus data register are valid read data from the serial bus interface. See Table 4–24 for a complete description of the register contents.

Bit	7	6	5	4	3	2	1	0
Name	Serial bus slave address							
Type	RW	RW	RW	RW	RW	RW	RW	RW
Default	0	0	0	0	0	0	0	0

Register: **Serial bus slave address**
 Offset: B2h (function 0)
 Type: Read/Write
 Default: 00h

Table 4–24. Serial Bus Slave Address Register Description

BIT	SIGNAL	TYPE	FUNCTION
7–1 ‡	SLAVADDR	RW	Serial bus slave address. This bit field represents the slave address of a read or write transaction on the serial interface.
0 ‡	RWCMD	RW	Read/write command. Bit 0 indicates the read/write command bit presented to the serial bus on byte read and write accesses. 0 = A byte write access is requested to the serial bus interface. 1 = A byte read access is requested to the serial bus interface.

‡ One or more bits in this register are cleared only by the assertion of $\overline{\text{GRST}}$.

4.50 Serial Bus Control/Status Register

The serial bus control and status register communicates serial bus status information and selects the quick command protocol. Bit 5 (REQBUSY) in this register must be polled during serial bus byte reads to indicate when data is valid in the serial bus data register. See Table 4–25 for a complete description of the register contents.

Bit	7	6	5	4	3	2	1	0
Name	Serial bus control/status							
Type	RW	R	R	R	RW	RW	RC	RC
Default	0	0	0	0	0	0	0	0

Register: **Serial bus control/status**
 Offset: B3h (function 0)
 Type: Read-only, Read/Write, Read/Clear
 Default: 00h

Table 4–25. Serial Bus Control/Status Register Description

BIT	SIGNAL	TYPE	FUNCTION
7 ‡	PROT_SEL	RW	Protocol select. When bit 7 is set, the send-byte protocol is used on write requests and the receive-byte protocol is used on read commands. The word address byte in the serial bus index register (see Section 4.48) is not output by the PCI7510 device when bit 7 is set.
6	RSVD	R	Reserved. Bit 6 returns 0 when read.
5	REQBUSY	R	Requested serial bus access busy. Bit 5 indicates that a requested serial bus access (byte read or write) is in progress. A request is made, and bit 5 is set, by writing to the serial bus slave address register (see Section 4.49). Bit 5 must be polled on reads from the serial interface. After the byte read access has been completed, this bit is cleared and the read data is valid in the serial bus data register.
4	ROMBUSY	R	Serial EEPROM busy status. Bit 4 indicates the status of the PCI7510 serial EEPROM circuitry. Bit 4 is set during the loading of the subsystem ID and other default values from the serial bus EEPROM. 0 = Serial EEPROM circuitry is not busy 1 = Serial EEPROM circuitry is busy
3 ‡	SBDETECT	RW	Serial bus detect. When the serial bus interface is detected through a pullup resistor on the SCL terminal after reset, this bit is set to 1. 0 = Serial bus interface not detected 1 = Serial bus interface detected
2 ‡	SBTEST	RW	Serial bus test. When bit 2 is set, the serial bus clock frequency is increased for test purposes. 0 = Serial bus clock at normal operating frequency, ≈ 100 kHz (default) 1 = Serial bus clock frequency increased for test purposes
1 ‡	REQ_ERR	RC	Requested serial bus access error. Bit 1 indicates when a data error occurs on the serial interface during a requested cycle and may be set due to a missing acknowledge. Bit 1 is cleared by a writeback of 1. 0 = No error detected during user-requested byte read or write cycle 1 = Data error detected during user-requested byte read or write cycle
0 ‡	ROM_ERR	RC	EEPROM data error status. Bit 0 indicates when a data error occurs on the serial interface during the auto-load from the serial bus EEPROM and may be set due to a missing acknowledge. Bit 0 is also set on invalid EEPROM data formats. See Section 3.7.4, <i>Serial Bus EEPROM Application</i> , for details on EEPROM data format. Bit 0 is cleared by a writeback of 1. 0 = No error detected during auto-load from serial bus EEPROM 1 = Data error detected during auto-load from serial bus EEPROM

‡ One or more bits in this register are cleared only by the assertion of $\overline{\text{GRST}}$.

5 ExCA Compatibility Registers (Functions 0 and 1)

The ExCA (exchangeable card architecture) registers implemented in the PCI7510 device are register-compatible with the Intel 82365SL-DF PCMCIA controller. ExCA registers are identified by an offset value, which is compatible with the legacy I/O index/data scheme used on the Intel™ 82365 ISA controller. The ExCA registers are accessed through this scheme by writing the register offset value into the index register (I/O base), and reading or writing the data register (I/O base + 1). The I/O base address used in the index/data scheme is programmed in the PC Card 16-bit I/F legacy mode base address register, which is shared by both card sockets. The offsets from this base address run contiguously from 00h to 3Fh for socket A, and from 40h to 7Fh for socket B. See Figure 5–1 for an ExCA I/O mapping illustration. Table 5–1 identifies each ExCA register and its respective ExCA offset.

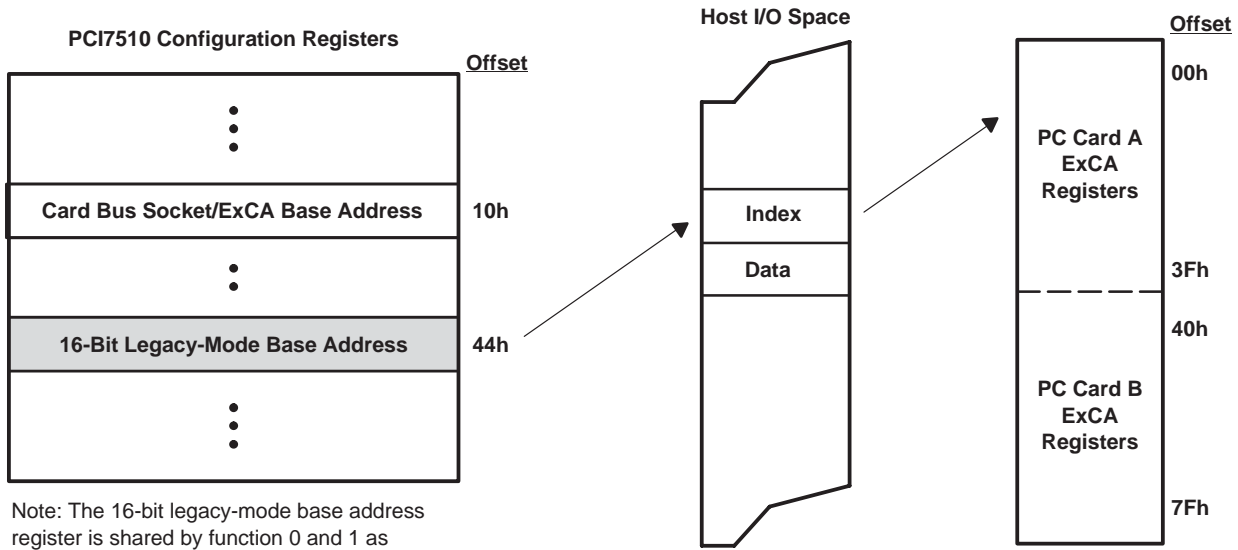
The PCI7510 device also provides a memory-mapped alias of the ExCA registers by directly mapping them into PCI memory space. They are located through the CardBus socket registers/ExCA registers base address register (PCI register 10h) at memory offset 800h. Each socket has a separate base address programmable by function. See Figure 5–2 for an ExCA memory mapping illustration. Note that memory offsets are 800h–844h for both functions 0 and 1. This illustration also identifies the CardBus socket register mapping, which is mapped into the same 4K window at memory offset 0h.

The interrupt registers in the ExCA register set, as defined by the 82365SL specification, control such card functions as reset, type, interrupt routing, and interrupt enables. Special attention must be paid to the interrupt routing registers and the host interrupt signaling method selected for the PCI7510 device to ensure that all possible PCI7510 interrupts can potentially be routed to the programmable interrupt controller. The ExCA registers that are critical to the interrupt signaling are at memory address ExCA offsets 803h and 805h.

Access to I/O mapped 16-bit PC Cards is available to the host system via two ExCA I/O windows. These are regions of host I/O address space into which the card I/O space is mapped. These windows are defined by start, end, and offset addresses programmed in the ExCA registers described in this chapter. I/O windows have byte granularity.

Access to memory-mapped 16-bit PC Cards is available to the host system via five ExCA memory windows. These are regions of host memory space into which the card memory space is mapped. These windows are defined by start, end, and offset addresses programmed in the ExCA registers described in this chapter. Memory windows have 4-Kbyte granularity.

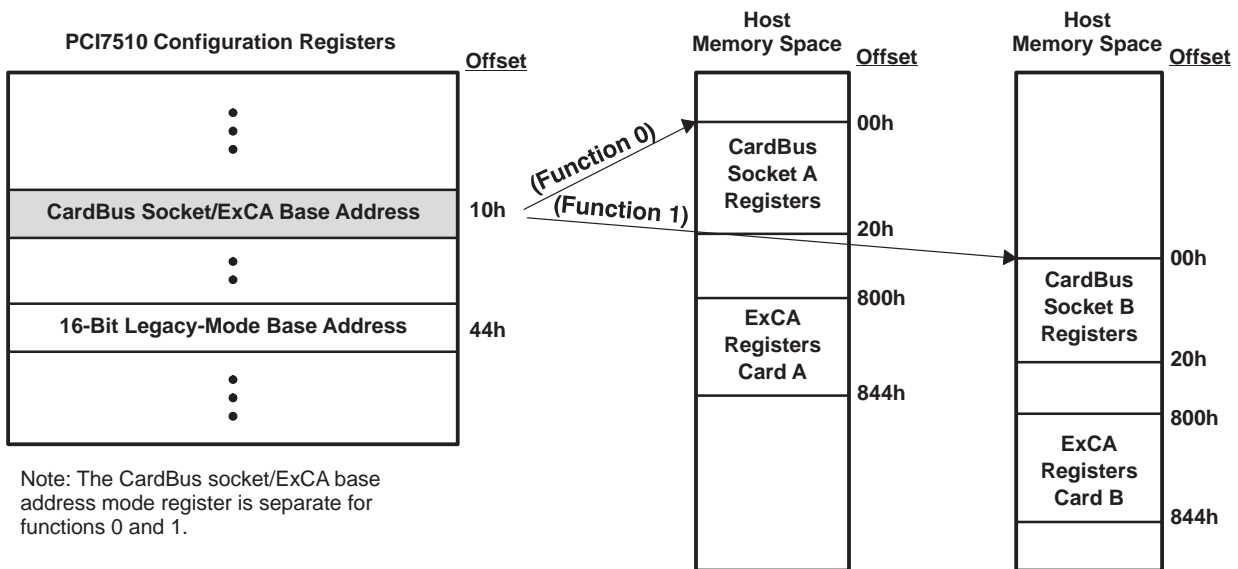
A bit location followed by a ‡ means that this bit is not cleared by the assertion of $\overline{\text{PRST}}$. This bit is only cleared by the assertion of $\overline{\text{GRST}}$. This is necessary to retain device context during the transition from D3 to D0.



Note: The 16-bit legacy-mode base address register is shared by function 0 and 1 as indicated by the shading.

Offset of desired register is placed in the index register and the data from that location is returned in the data register.

Figure 5-1. ExCA Register Access Through I/O



Note: The CardBus socket/ExCA base address mode register is separate for functions 0 and 1.

Offsets are from the CardBus socket/ExCA base address register's base address.

Figure 5-2. ExCA Register Access Through Memory

Table 5–1. ExCA Registers and Offsets

EXCA REGISTER NAME	PCI MEMORY ADDRESS OFFSET (HEX)	EXCA OFFSET (CARD A)	EXCA OFFSET (CARD B)
Identification and revision ‡	800	00	40
Interface status	801	01	41
Power control †	802†	02	42
Interrupt and general control †	803†	03	43
Card status change †	804†	04	44
Card status change interrupt configuration †	805†	05	45
Address window enable	806	06	46
I / O window control	807	07	47
I / O window 0 start-address low-byte	808	08	48
I / O window 0 start-address high-byte	809	09	49
I / O window 0 end-address low-byte	80A	0A	4A
I / O window 0 end-address high-byte	80B	0B	4B
I / O window 1 start-address low-byte	80C	0C	4C
I / O window 1 start-address high-byte	80D	0D	4D
I / O window 1 end-address low-byte	80E	0E	4E
I / O window 1 end-address high-byte	80F	0F	4F
Memory window 0 start-address low-byte	810	10	50
Memory window 0 start-address high-byte	811	11	51
Memory window 0 end-address low-byte	812	12	52
Memory window 0 end-address high-byte	813	13	53
Memory window 0 offset-address low-byte	814	14	54
Memory window 0 offset-address high-byte	815	15	55
Card detect and general control ‡	816	16	56
Reserved	817	17	57
Memory window 1 start-address low-byte	818	18	58
Memory window 1 start-address high-byte	819	19	59
Memory window 1 end-address low-byte	81A	1A	5A
Memory window 1 end-address high-byte	81B	1B	5B
Memory window 1 offset-address low-byte	81C	1C	5C
Memory window 1 offset-address high-byte	81D	1D	5D
Global control ‡	81E	1E	5E
Reserved	81F	1F	5F
Memory window 2 start-address low-byte	820	20	60
Memory window 2 start-address high-byte	821	21	61
Memory window 2 end-address low-byte	822	22	62
Memory window 2 end-address high-byte	823	23	63
Memory window 2 offset-address low-byte	824	24	64
Memory window 2 offset-address high-byte	825	25	65

† One or more bits in this register are cleared only by the assertion of $\overline{\text{GRST}}$ when PME is enabled. If PME is not enabled, then this bit is cleared by the assertion of PRST or GRST.

‡ One or more bits in this register are cleared only by the assertion of $\overline{\text{GRST}}$.

Table 5–1. ExCA Registers and Offsets (continued)

EXCA REGISTER NAME	PCI MEMORY ADDRESS OFFSET (HEX)	EXCA OFFSET (CARD A)	EXCA OFFSET (CARD B)
Reserved	826	26	66
Reserved	827	27	67
Memory window 3 start-address low-byte	828	28	68
Memory window 3 start-address high-byte	829	29	69
Memory window 3 end-address low-byte	82A	2A	6A
Memory window 3 end-address high-byte	82B	2B	6B
Memory window 3 offset-address low-byte	82C	2C	6C
Memory window 3 offset-address high-byte	82D	2D	6D
Reserved	82E	2E	6E
Reserved	82F	2F	6F
Memory window 4 start-address low-byte	830	30	70
Memory window 4 start-address high-byte	831	31	71
Memory window 4 end-address low-byte	832	32	72
Memory window 4 end-address high-byte	833	33	73
Memory window 4 offset-address low-byte	834	34	74
Memory window 4 offset-address high-byte	835	35	75
I/O window 0 offset-address low-byte	836	36	76
I/O window 0 offset-address high-byte	837	37	77
I/O window 1 offset-address low-byte	838	38	78
I/O window 1 offset-address high-byte	839	39	79
Reserved	83A	3A	7A
Reserved	83B	3B	7B
Reserved	83C	3C	7C
Reserved	83D	3D	7D
Reserved	83E	3E	7E
Reserved	83F	3F	7F
Memory window page register 0	840	–	–
Memory window page register 1	841	–	–
Memory window page register 2	842	–	–
Memory window page register 3	843	–	–
Memory window page register 4	844	–	–

5.1 ExCA Identification and Revision Register

This register provides host software with information on 16-bit PC Card support and 82365SL-DF compatibility. See Table 5–2 for a complete description of the register contents.

NOTE: If bit 5 (SUBSYRW) in the system control register is 1, then this register is read-only.

Bit	7	6	5	4	3	2	1	0
Name	ExCA identification and revision							
Type	R	R	RW	RW	RW	RW	RW	RW
Default	1	0	0	0	0	1	0	0

Register: **ExCA identification and revision**

Offset: CardBus Socket Address + 800h: Card A ExCA Offset 00h
Card B ExCA Offset 40h

Type: Read/Write, Read-only

Default: 84h

Table 5–2. ExCA Identification and Revision Register Description

BIT	SIGNAL	TYPE	FUNCTION
7–6 ‡	IFTYPE	R	Interface type. These bits, which are hardwired as 10b, identify the 16-bit PC Card support provided by the PCI7510 device. The PCI7510 device supports both I/O and memory 16-bit PC Cards.
5–4 ‡	RSVD	RW	These bits can be used for 82365SL emulation.
3–0 ‡	365REV	RW	82365SL-DF revision. This field stores the Intel 82365SL-DF revision supported by the PCI7510 device. Host software can read this field to determine compatibility to the 82365SL-DF register set. This field defaults to 0100b upon reset. Writing 0010b to this field puts the controller in the 82356SL mode.

‡ One or more bits in this register are cleared only by the assertion of $\overline{\text{GRST}}$.

5.2 ExCA Interface Status Register

This register provides information on current status of the PC Card interface. An X in the default bit values indicates that the value of the bit after reset depends on the state of the PC Card interface. See Table 5–3 for a complete description of the register contents.

Bit	7	6	5	4	3	2	1	0
Name	ExCA interface status							
Type	R	R	R	R	R	R	R	R
Default	0	0	X	X	X	X	X	X

Register: **ExCA interface status**
 Offset: CardBus Socket Address + 801h: Card A ExCA Offset 01h
 Card B ExCA Offset 41h
 Type: Read-only
 Default: 00XX XXXXb

Table 5–3. ExCA Interface Status Register Description

BIT	SIGNAL	TYPE	FUNCTION
7	RSVD	R	This bit returns 0 when read. A write has no effect.
6	CARDPWR	R	CARDPWR. Card power. This bit indicates the current power status of the PC Card socket. This bit reflects how the ExCA power control register has been programmed. The bit is encoded as: 0 = V_{CC} and V_{pp} to the socket are turned off (default). 1 = V_{CC} and V_{pp} to the socket are turned on.
5	READY	R	This bit indicates the current status of the READY signal at the PC Card interface. 0 = PC Card is not ready for a data transfer. 1 = PC Card is ready for a data transfer.
4	CARDWP	R	Card write protect. This bit indicates the current status of the WP signal at the PC Card interface. This signal reports to the PCI7510 device whether or not the memory card is write protected. Further, write protection for an entire PCI7510 16-bit memory window is available by setting the appropriate bit in the ExCA memory window offset-address high-byte register. 0 = WP signal is 0. PC Card is R/W. 1 = WP signal is 1. PC Card is read-only.
3	CDETECT2	R	Card detect 2. This bit indicates the status of the CD2 signal at the PC Card interface. Software can use this and CDETECT1 to determine if a PC Card is fully seated in the socket. 0 = $\overline{CD2}$ signal is 1. No PC Card inserted. 1 = $\overline{CD2}$ signal is 0. PC Card at least partially inserted.
2	CDETECT1	R	Card detect 1. This bit indicates the status of the CD1 signal at the PC Card interface. Software can use this and CDETECT2 to determine if a PC Card is fully seated in the socket. 0 = $\overline{CD1}$ signal is 1. No PC Card inserted. 1 = $\overline{CD1}$ signal is 0. PC Card at least partially inserted.
1–0	BVDSTAT	R	Battery voltage detect. When a 16-bit memory card is inserted, the field indicates the status of the battery voltage detect signals (BVD1, BVD2) at the PC Card interface, where bit 0 reflects the BVD1 status, and bit 1 reflects BVD2. 00 = Battery is dead. 01 = Battery is dead. 10 = Battery is low; warning. 11 = Battery is good. When a 16-bit I/O card is inserted, this field indicates the status of the \overline{SPKR} (bit 1) signal and the \overline{STSCHG} (bit 0) at the PC Card interface. In this case, the two bits in this field directly reflect the current state of these card outputs.

5.4 ExCA Interrupt and General Control Register

This register controls interrupt routing for I/O interrupts as well as other critical 16-bit PC Card functions. See Table 5–6 for a complete description of the register contents.

Bit	7	6	5	4	3	2	1	0
Name	ExCA interrupt and general control							
Type	RW	RW	RW	RW	RW	RW	RW	RW
Default	0	0	0	0	0	0	0	0

Register: **ExCA interrupt and general control**
 Offset: CardBus Socket Address + 803h: Card A ExCA Offset 03h
 Card B ExCA Offset 43h
 Type: Read/Write
 Default: 00h

Table 5–6. ExCA Interrupt and General Control Register Description

BIT	SIGNAL	TYPE	FUNCTION
7	RINGEN	RW	Card ring indicate enable. Enables the ring indicate function of the BVD1/RI terminals. This bit is encoded as: 0 = Ring indicate disabled (default) 1 = Ring indicate enabled
6 †	RESET	RW	Card reset. This bit controls the 16-bit PC Card RESET signal, and allows host software to force a card reset. This bit affects 16-bit cards only. This bit is encoded as: 0 = RESET signal asserted (default) 1 = RESET signal deasserted.
5 †	CARDTYPE	RW	Card type. This bit indicates the PC Card type. This bit is encoded as: 0 = Memory PC Card is installed (default) 1 = I/O PC Card is installed
4	CSCROUTE	RW	PCI interrupt – CSC routing enable bit. This bit has meaning only if the CSC interrupt routing control bit (PCI offset 93h, bit 5) is 0. In this case, when this bit is set (high), the card status change interrupts are routed to PCI interrupts. When low, the card status change interrupts are routed using bits 7–4 in the ExCA card status-change interrupt configuration register (ExCA offset 805h, see Section 5.6). This bit is encoded as: 0 = CSC interrupts routed by ExCA registers (default) 1 = CSC interrupts routed to PCI interrupts If the CSC interrupt routing control bit (bit 5) of the diagnostic register (PCI offset 93h, see Section 4.40) is set to 1, this bit has no meaning, which is the default case.
3–0	INTSELECT	RW	Card interrupt select for I/O PC Card functional interrupts. These bits select the interrupt routing for I/O PC Card functional interrupts. This field is encoded as: 0000 = No IRQ selected (default). CSC interrupts are routed to PCI Interrupts. This bit setting is ORed with bit 4 (CSCROUTE) for backward compatibility. 0001 = IRQ1 enabled 0010 = SMI enabled 0011 = IRQ3 enabled 0100 = IRQ4 enabled 0101 = IRQ5 enabled 0110 = IRQ6 enabled 0111 = IRQ7 enabled 1000 = IRQ8 enabled 1001 = IRQ9 enabled 1010 = IRQ10 enabled 1011 = IRQ11 enabled 1100 = IRQ12 enabled 1101 = IRQ13 enabled 1110 = IRQ14 enabled 1111 = IRQ15 enabled

† This bit is cleared only by the assertion of GRST when PME is enabled. If PME is not enabled, then this bit is cleared by the assertion of PRST or GRST.

5.5 ExCA Card Status-Change Register

The ExCA card status-change register controls interrupt routing for I/O interrupts and other critical 16-bit PC Card functions. The register enables these interrupt sources to generate an interrupt to the host. When the interrupt source is disabled, the corresponding bit in this register always reads 0. When an interrupt source is enabled, the corresponding bit in this register is set to indicate that the interrupt source is active. After generating the interrupt to the host, the interrupt service routine must read this register to determine the source of the interrupt. The interrupt service routine is responsible for resetting the bits in this register as well. Resetting a bit is accomplished by one of two methods: a read of this register or an explicit writeback of 1 to the status bit. The choice of these two methods is based on bit 2 (interrupt flag clear mode select) in the ExCA global control register (CB offset 81Eh, see Section 5.20). See Table 5–7 for a complete description of the register contents.

Bit	7	6	5	4	3	2	1	0
Name	ExCA card status-change							
Type	R	R	R	R	R	R	R	R
Default	0	0	0	0	0	0	0	0

Register: **ExCA card status-change**
 Type: Read-only
 Offset: CardBus socket address + 804h; Card A ExCA offset 04h
 Card B ExCA offset 44h
 Default: 00h

Table 5–7. ExCA Card Status-Change Register Description

BIT	SIGNAL	TYPE	FUNCTION
7–4	RSVD	R	Reserved. Bits 7–4 return 0s when read.
3 †	CDCHANGE	R	Card detect change. Bit 3 indicates whether a change on $\overline{CD1}$ or $\overline{CD2}$ occurred at the PC Card interface. This bit is encoded as: 0 = No change detected on either $\overline{CD1}$ or $\overline{CD2}$ 1 = Change detected on either $\overline{CD1}$ or $\overline{CD2}$
2 †	READYCHANGE	R	Ready change. When a 16-bit memory is installed in the socket, bit 2 includes whether the source of a PCI7510 interrupt was due to a change on READY at the PC Card interface, indicating that the PC Card is now ready to accept new data. This bit is encoded as: 0 = No low-to-high transition detected on READY (default) 1 = Detected low-to-high transition on READY When a 16-bit I/O card is installed, bit 2 is always 0.
1 †	BATWARN	R	Battery warning change. When a 16-bit memory card is installed in the socket, bit 1 indicates whether the source of a PCI7510 interrupt was due to a battery-low warning condition. This bit is encoded as: 0 = No battery warning condition (default) 1 = Detected battery warning condition When a 16-bit I/O card is installed, bit 1 is always 0.
0 †	BATDEAD	R	Battery dead or status change. When a 16-bit memory card is installed in the socket, bit 0 indicates whether the source of a PCI7510 interrupt was due to a battery dead condition. This bit is encoded as: 0 = \overline{STSCHG} deasserted (default) 1 = \overline{STSCHG} asserted Ring indicate. When the PCI751 is configured for ring indicate operation, bit 0 indicates the status of RI.

† These are PME context bits and can be cleared only by the assertion of GRST when PME is enabled. If PME is not enabled, then these bits are cleared by the assertion of PRST or GRST.

5.6 ExCA Card Status-Change Interrupt Configuration Register

This register controls interrupt routing for CSC interrupts, as well as masks/unmasks CSC interrupt sources. See Table 5–8 for a complete description of the register contents.

Bit	7	6	5	4	3	2	1	0
Name	ExCA card status-change interrupt configuration							
Type	RW	RW	RW	RW	RW	RW	RW	RW
Default	0	0	0	0	0	0	0	0

Register: **ExCA card status-change interrupt configuration**
 Offset: CardBus Socket Address + 805h: Card A ExCA Offset 05h
 Card B ExCA Offset 45h
 Type: Read/Write
 Default: 00h

Table 5–8. ExCA Card Status-Change Interrupt Configuration Register Description

BIT	SIGNAL	TYPE	FUNCTION
7–4	CSCSELECT	RW	Interrupt select for card status change. These bits select the interrupt routing for card status-change interrupts. This field is encoded as: 0000 = CSC interrupts routed to PCI interrupts if bit 5 of the diagnostic register (PCI offset 93h) is set to 1b. In this case bit 4 of ExCA 803 is a don't care. This is the default setting. 0000 = No ISA interrupt routing if bit 5 of the diagnostic register (PCI offset 93h) is set to 0b. In this case, CSC interrupts are routed to PCI interrupts by setting bit 4 of ExCA 803h to 1b. 0001 = IRQ1 enabled 0010 = SMI enabled 0011 = IRQ3 enabled 0100 = IRQ4 enabled 0101 = IRQ5 enabled 0110 = IRQ6 enabled 0111 = IRQ7 enabled 1000 = IRQ8 enabled 1001 = IRQ9 enabled 1010 = IRQ10 enabled 1011 = IRQ11 enabled 1100 = IRQ12 enabled 1101 = IRQ13 enabled 1110 = IRQ14 enabled 1111 = IRQ15 enabled
3†	CDEN	RW	Card detect enable. Enables interrupts on CD1 or CD2 changes. This bit is encoded as: 0 = Disables interrupts on CD1 or CD2 line changes (default) 1 = Enables interrupts on CD1 or CD2 line changes
2†	READYEN	RW	Ready enable. This bit enables/disables a low-to-high transition on the PC Card READY signal to generate a host interrupt. This interrupt source is considered a card status change. This bit is encoded as: 0 = Disables host interrupt generation (default) 1 = Enables host interrupt generation
1†	BATWARNEN	RW	Battery warning enable. This bit enables/disables a battery warning condition to generate a CSC interrupt. This bit is encoded as: 0 = Disables host interrupt generation (default) 1 = Enables host interrupt generation
0†	BATDEADEN	RW	Battery dead enable. This bit enables/disables a battery dead condition on a memory PC Card or assertion of the STSCHG I/O PC Card signal to generate a CSC interrupt. 0 = Disables host interrupt generation (default) 1 = Enables host interrupt generation

† This bit is cleared only by the assertion of GRST when PME is enabled. If PME is not enabled, then this bit is cleared by the assertion of PRST or GRST.

5.7 ExCA Address Window Enable Register

The ExCA address window enable register enables/disables the memory and I/O windows to the 16-bit PC Card. By default, all windows to the card are disabled. The PCI7510 device does not acknowledge PCI memory or I/O cycles to the card if the corresponding enable bit in this register is 0, regardless of the programming of the memory or I/O window start/end/offset address registers. See Table 5–9 for a complete description of the register contents.

Bit	7	6	5	4	3	2	1	0
Name	ExCA address window enable							
Type	RW	RW	R	RW	RW	RW	RW	RW
Default	0	0	0	0	0	0	0	0

Register: **ExCA address window enable**
 Type: Read-only, Read/Write
 Offset: CardBus socket address + 806h; Card A ExCA offset 06h
 Card B ExCA offset 46h
 Default: 00h

Table 5–9. ExCA Address Window Enable Register Description

BIT	SIGNAL	TYPE	FUNCTION
7	IOWIN1EN	RW	I/O window 1 enable. Bit 7 enables/disables I/O window 1 for the PC Card. This bit is encoded as: 0 = I/O window 1 disabled (default) 1 = I/O window 1 enabled
6	IOWIN0EN	RW	I/O window 0 enable. Bit 6 enables/disables I/O window 0 for the PC Card. This bit is encoded as: 0 = I/O window 0 disabled (default) 1 = I/O window 0 enabled
5	RSVD	R	Reserved. Bit 5 returns 0 when read.
4	MEMWIN4EN	RW	Memory window 4 enable. Bit 4 enables/disables memory window 4 for the PC Card. This bit is encoded as: 0 = Memory window 4 disabled (default) 1 = Memory window 4 enabled
3	MEMWIN3EN	RW	Memory window 3 enable. Bit 3 enables/disables memory window 3 for the PC Card. This bit is encoded as: 0 = Memory window 3 disabled (default) 1 = Memory window 3 enabled
2	MEMWIN2EN	RW	Memory window 2 enable. Bit 2 enables/disables memory window 2 for the PC Card. This bit is encoded as: 0 = Memory window 2 disabled (default) 1 = Memory window 2 enabled
1	MEMWIN1EN	RW	Memory window 1 enable. Bit 1 enables/disables memory window 1 for the PC Card. This bit is encoded as: 0 = Memory window 1 disabled (default) 1 = Memory window 1 enabled
0	MEMWIN0EN	RW	Memory window 0 enable. Bit 0 enables/disables memory window 0 for the PC Card. This bit is encoded as: 0 = Memory window 0 disabled (default) 1 = Memory window 0 enabled

5.8 ExCA I/O Window Control Register

The ExCA I/O window control register contains parameters related to I/O window sizing and cycle timing. See Table 5–10 for a complete description of the register contents.

Bit	7	6	5	4	3	2	1	0
Name	ExCA I/O window control							
Type	RW	RW	RW	RW	RW	RW	RW	RW
Default	0	0	0	0	0	0	0	0

Register: **ExCA I/O window control**
 Type: Read/Write
 Offset: CardBus socket address + 807h: Card A ExCA offset 07h
 Card B ExCA offset 47h
 Default: 00h

Table 5–10. ExCA I/O Window Control Register Description

BIT	SIGNAL	TYPE	FUNCTION
7	WAITSTATE1	RW	I/O window 1 wait state. Bit 7 controls the I/O window 1 wait state for 16-bit I/O accesses. Bit 7 has no effect on 8-bit accesses. This wait-state timing emulates the ISA wait state used by the Intel 82365SL-DF. This bit is encoded as: 0 = 16-bit cycles have standard length (default). 1 = 16-bit cycles are extended by one equivalent ISA wait state.
6	ZEROWS1	RW	I/O window 1 zero wait state. Bit 6 controls the I/O window 1 wait state for 8-bit I/O accesses. Bit 6 has no effect on 16-bit accesses. This wait-state timing emulates the ISA wait state used by the Intel 82365SL-DF. This bit is encoded as: 0 = 8-bit cycles have standard length (default). 1 = 8-bit cycles are reduced to equivalent of three ISA cycles.
5	IOSIS16W1	RW	I/O window 1 $\overline{\text{IOSIS16}}$ source. Bit 5 controls the I/O window 1 automatic data-sizing feature that uses $\overline{\text{IOSIS16}}$ from the PC Card to determine the data width of the I/O data transfer. This bit is encoded as: 0 = Window data width determined by DATASIZE1, bit 4 (default). 1 = Window data width determined by $\overline{\text{IOSIS16}}$.
4	DATASIZE1	RW	I/O window 1 data size. Bit 4 controls the I/O window 1 data size. Bit 4 is ignored if bit 5 (IOSIS16W1) is set. This bit is encoded as: 0 = Window data width is 8 bits (default). 1 = Window data width is 16 bits.
3	WAITSTATE0	RW	I/O window 0 wait state. Bit 3 controls the I/O window 0 wait state for 16-bit I/O accesses. Bit 3 has no effect on 8-bit accesses. This wait-state timing emulates the ISA wait state used by the Intel 82365SL-DF. This bit is encoded as: 0 = 16-bit cycles have standard length (default). 1 = 16-bit cycles are extended by one equivalent ISA wait state.
2	ZEROWS0	RW	I/O window 0 zero wait state. Bit 2 controls the I/O window 0 wait state for 8-bit I/O accesses. Bit 2 has no effect on 16-bit accesses. This wait-state timing emulates the ISA wait state used by the Intel 82365SL-DF. This bit is encoded as: 0 = 8-bit cycles have standard length (default). 1 = 8-bit cycles are reduced to equivalent of three ISA cycles.
1	IOSIS16W0	RW	I/O window 0 $\overline{\text{IOSIS16}}$ source. Bit 1 controls the I/O window 0 automatic data sizing feature that uses $\overline{\text{IOSIS16}}$ from the PC Card to determine the data width of the I/O data transfer. This bit is encoded as: 0 = Window data width is determined by DATASIZE0, bit 0 (default). 1 = Window data width is determined by $\overline{\text{IOSIS16}}$.
0	DATASIZE0	RW	I/O window 0 data size. Bit 0 controls the I/O window 0 data size. Bit 0 is ignored if bit 1 (IOSIS16W0) is set. This bit is encoded as: 0 = Window data width is 8 bits (default). 1 = Window data width is 16 bits.

5.9 ExCA I/O Windows 0 and 1 Start-Address Low-Byte Registers

These registers contain the low byte of the 16-bit I/O window start address for I/O windows 0 and 1. The 8 bits of these registers correspond to the lower 8 bits of the start address.

Bit	7	6	5	4	3	2	1	0
Name	ExCA I/O windows 0 and 1 start-address low-byte							
Type	RW	RW	RW	RW	RW	RW	RW	RW
Default	0	0	0	0	0	0	0	0

Register: **ExCA I/O window 0 start-address low-byte**
 Offset: CardBus Socket Address + 808h: Card A ExCA Offset 08h
 Card B ExCA Offset 48h

Register: **ExCA I/O window 1 start-address low-byte**
 Offset: CardBus Socket Address + 80Ch: Card A ExCA Offset 0Ch
 Card B ExCA Offset 4Ch

Type: Read/Write
 Default: 00h

5.10 ExCA I/O Windows 0 and 1 Start-Address High-Byte Registers

These registers contain the high byte of the 16-bit I/O window start address for I/O windows 0 and 1. The 8 bits of these registers correspond to the upper 8 bits of the start address.

Bit	7	6	5	4	3	2	1	0
Name	ExCA I/O windows 0 and 1 start-address high-byte							
Type	RW	RW	RW	RW	RW	RW	RW	RW
Default	0	0	0	0	0	0	0	0

Register: **ExCA I/O window 0 start-address high-byte**
 Offset: CardBus Socket Address + 809h: Card A ExCA Offset 09h
 Card B ExCA Offset 49h

Register: **ExCA I/O window 1 start-address high-byte**
 Offset: CardBus Socket Address + 80Dh: Card A ExCA Offset 0Dh
 Card B ExCA Offset 4Dh

Type: Read/Write
 Default: 00h

5.11 ExCA I/O Windows 0 and 1 End-Address Low-Byte Registers

These registers contain the low byte of the 16-bit I/O window end address for I/O windows 0 and 1. The 8 bits of these registers correspond to the lower 8 bits of the start address.

Bit	7	6	5	4	3	2	1	0
Name	ExCA I/O windows 0 and 1 end-address low-byte							
Type	RW	RW	RW	RW	RW	RW	RW	RW
Default	0	0	0	0	0	0	0	0

Register: **ExCA I/O window 0 end-address low-byte**
 Offset: CardBus Socket Address + 80Ah: Card A ExCA Offset 0Ah
 Card B ExCA Offset 4Ah

Register: **ExCA I/O window 1 end-address low-byte**
 Offset: CardBus Socket Address + 80Eh: Card A ExCA Offset 0Eh
 Card B ExCA Offset 4Eh

Type: Read/Write
 Default: 00h

5.12 ExCA I/O Windows 0 and 1 End-Address High-Byte Registers

These registers contain the high byte of the 16-bit I/O window end address for I/O windows 0 and 1. The 8 bits of these registers correspond to the upper 8 bits of the end address.

Bit	7	6	5	4	3	2	1	0
Name	ExCA I/O windows 0 and 1 end-address high-byte							
Type	RW	RW	RW	RW	RW	RW	RW	RW
Default	0	0	0	0	0	0	0	0

Register: **ExCA I/O window 0 end-address high-byte**
 Offset: CardBus Socket Address + 80Bh: Card A ExCA Offset 0Bh
 Card B ExCA Offset 4Bh

Register: **ExCA I/O window 1 end-address high-byte**
 Offset: CardBus Socket Address + 80Fh: Card A ExCA Offset 0Fh
 Card B ExCA Offset 4Fh

Type: Read/Write
 Default: 00h

5.13 ExCA Memory Windows 0–4 Start-Address Low-Byte Registers

These registers contain the low byte of the 16-bit memory window start address for memory windows 0, 1, 2, 3, and 4. The 8 bits of these registers correspond to bits A19–A12 of the start address.

Bit	7	6	5	4	3	2	1	0
Name	ExCA memory windows 0–4 start-address low-byte							
Type	RW	RW	RW	RW	RW	RW	RW	RW
Default	0	0	0	0	0	0	0	0

Register: **ExCA memory window 0 start-address low-byte**
 Offset: CardBus Socket Address + 810h: Card A ExCA Offset 10h
 Card B ExCA Offset 50h

Register: **ExCA memory window 1 start-address low-byte**
 Offset: CardBus Socket Address + 818h: Card A ExCA Offset 18h
 Card B ExCA Offset 58h

Register: **ExCA memory window 2 start-address low-byte**
 Offset: CardBus Socket Address + 820h: Card A ExCA Offset 20h
 Card B ExCA Offset 60h

Register: **ExCA memory window 3 start-address low-byte**
 Offset: CardBus Socket Address + 828h: Card A ExCA Offset 28h
 Card B ExCA Offset 68h

Register: **ExCA memory window 4 start-address low-byte**
 Offset: CardBus Socket Address + 830h: Card A ExCA Offset 30h
 Card B ExCA Offset 70h

Type: Read/Write
 Default: 00h

5.14 ExCA Memory Windows 0–4 Start-Address High-Byte Registers

These registers contain the high nibble of the 16-bit memory window start address for memory windows 0, 1, 2, 3, and 4. The lower 4 bits of these registers correspond to bits A23–A20 of the start address. In addition, the memory window data width and wait states are set in this register. See Table 5–11 for a complete description of the register contents.

Bit	7	6	5	4	3	2	1	0
Name	ExCA memory windows 0–4 start-address high-byte							
Type	RW	RW	RW	RW	RW	RW	RW	RW
Default	0	0	0	0	0	0	0	0

Register: **ExCA memory window 0 start-address high-byte**
 Offset: CardBus Socket Address + 811h: Card A ExCA Offset 11h
 Card B ExCA Offset 51h

Register: **ExCA memory window 1 start-address high-byte**
 Offset: CardBus Socket Address + 819h: Card A ExCA Offset 19h
 Card B ExCA Offset 59h

Register: **ExCA memory window 2 start-address high-byte**
 Offset: CardBus Socket Address + 821h: Card A ExCA Offset 21h
 Card B ExCA Offset 61h

Register: **ExCA memory window 3 start-address high-byte**
 Offset: CardBus Socket Address + 829h: Card A ExCA Offset 29h
 Card B ExCA Offset 69h

Register: **ExCA memory window 4 start-address high-byte**
 Offset: CardBus Socket Address + 831h: Card A ExCA Offset 31h
 Card B ExCA Offset 71h

Type: Read/Write
 Default: 00h

Table 5–11. ExCA Memory Windows 0–4 Start-Address High-Byte Registers Description

BIT	SIGNAL	TYPE	FUNCTION
7	DATASIZE	RW	This bit controls the memory window data width. This bit is encoded as: 0 = Window data width is 8 bits (default) 1 = Window data width is 16 bits
6	ZEROWAIT	RW	Zero wait-state. This bit controls the memory window wait state for 8- and 16-bit accesses. This wait-state timing emulates the ISA wait state used by the 82365SL-DF. This bit is encoded as: 0 = 8- and 16-bit cycles have standard length (default). 1 = 8-bit cycles reduced to equivalent of three ISA cycles 16-bit cycles reduced to the equivalent of two ISA cycles
5–4	SCRATCH	RW	Scratch pad bits. These bits have no effect on memory window operation.
3–0	STAHN	RW	Start address high-nibble. These bits represent the upper address bits A23–A20 of the memory window start address.

5.15 ExCA Memory Windows 0–4 End-Address Low-Byte Registers

These registers contain the low byte of the 16-bit memory window end address for memory windows 0, 1, 2, 3, and 4. The 8 bits of these registers correspond to bits A19–A12 of the end address.

Bit	7	6	5	4	3	2	1	0
Name	ExCA memory windows 0–4 end-address low-byte							
Type	RW	RW	RW	RW	RW	RW	RW	RW
Default	0	0	0	0	0	0	0	0

Register: **ExCA memory window 0 end-address low-byte**
 Offset: CardBus Socket Address + 812h: Card A ExCA Offset 12h
 Card B ExCA Offset 52h

Register: **ExCA memory window 1 end-address low-byte**
 Offset: CardBus Socket Address + 81Ah: Card A ExCA Offset 1Ah
 Card B ExCA Offset 5Ah

Register: **ExCA memory window 2 end-address low-byte**
 Offset: CardBus Socket Address + 822h: Card A ExCA Offset 22h
 Card B ExCA Offset 62h

Register: **ExCA memory window 3 end-address low-byte**
 Offset: CardBus Socket Address + 82Ah: Card A ExCA Offset 2Ah
 Card B ExCA Offset 6Ah

Register: **ExCA memory window 4 end-address low-byte**
 Offset: CardBus Socket Address + 832h: Card A ExCA Offset 32h
 Card B ExCA Offset 72h

Type: Read/Write
 Default: 00h

5.16 ExCA Memory Windows 0–4 End-Address High-Byte Registers

These registers contain the high nibble of the 16-bit memory window end address for memory windows 0, 1, 2, 3, and 4. The lower 4 bits of these registers correspond to bits A23–A20 of the end address. In addition, the memory window wait states are set in this register. See Table 5–12 for a complete description of the register contents.

Bit	7	6	5	4	3	2	1	0
Name	ExCA memory windows 0–4 end-address high-byte							
Type	RW	RW	R	R	RW	RW	RW	RW
Default	0	0	0	0	0	0	0	0

- Register: **ExCA memory window 0 end-address high-byte**
 Offset: CardBus Socket Address + 813h: Card A ExCA Offset 13h
 Card B ExCA Offset 53h
- Register: **ExCA memory window 1 end-address high-byte**
 Offset: CardBus Socket Address + 81Bh: Card A ExCA Offset 1Bh
 Card B ExCA Offset 5Bh
- Register: **ExCA memory window 2 end-address high-byte**
 Offset: CardBus Socket Address + 823h: Card A ExCA Offset 23h
 Card B ExCA Offset 63h
- Register: **ExCA memory window 3 end-address high-byte**
 Offset: CardBus Socket Address + 82Bh: Card A ExCA Offset 2Bh
 Card B ExCA Offset 6Bh
- Register: **ExCA Memory window 4 end-address high-byte**
 Offset: CardBus Socket Address + 833h: Card A ExCA Offset 33h
 Card B ExCA Offset 73h
- Type: Read/Write, Read-only
 Default: 00h

Table 5–12. ExCA Memory Windows 0–4 End-Address High-Byte Registers Description

BIT	SIGNAL	TYPE	FUNCTION
7–6	MEMWS	RW	Wait state. These bits specify the number of equivalent ISA wait states to be added to 16-bit memory accesses. The number of wait states added is equal to the binary value of these 2 bits.
5–4	RSVD	R	Reserved. These bits return 0s when read. Writes have no effect.
3–0	ENDHN	RW	End-address high nibble. These bits represent the upper address bits A23–A20 of the memory window end address.

5.17 ExCA Memory Windows 0–4 Offset-Address Low-Byte Registers

These registers contain the low byte of the 16-bit memory window offset address for memory windows 0, 1, 2, 3, and 4. The 8 bits of these registers correspond to bits A19–A12 of the offset address.

Bit	7	6	5	4	3	2	1	0
Name	ExCA memory windows 0–4 offset-address low-byte							
Type	RW	RW	RW	RW	RW	RW	RW	RW
Default	0	0	0	0	0	0	0	0

Register:	ExCA memory window 0 offset-address low-byte	
Offset:	CardBus Socket Address + 814h:	Card A ExCA Offset 14h Card B ExCA Offset 54h
Register:	ExCA memory window 1 offset-address low-byte	
Offset:	CardBus Socket Address + 81Ch:	Card A ExCA Offset 1Ch Card B ExCA Offset 5Ch
Register:	ExCA memory window 2 offset-address low-byte	
Offset:	CardBus Socket Address + 824h:	Card A ExCA Offset 24h Card B ExCA Offset 64h
Register:	ExCA memory window 3 offset-address low-byte	
Offset:	CardBus Socket Address + 82Ch:	Card A ExCA Offset 2Ch Card B ExCA Offset 6Ch
Register:	ExCA memory window 4 offset-address low-byte	
Offset:	CardBus Socket Address + 834h:	Card A ExCA Offset 34h Card B ExCA Offset 74h
Type:	Read/Write	
Default:	00h	

5.18 ExCA Memory Windows 0–4 Offset-Address High-Byte Registers

These registers contain the high 6 bits of the 16-bit memory window offset address for memory windows 0, 1, 2, 3, and 4. The lower 6 bits of these registers correspond to bits A25–A20 of the offset address. In addition, the write protection and common/attribute memory configurations are set in this register. See Table 5–13 for a complete description of the register contents.

Bit	7	6	5	4	3	2	1	0
Name	ExCA memory window 0–4 offset-address high-byte							
Type	RW	RW	RW	RW	RW	RW	RW	RW
Default	0	0	0	0	0	0	0	0

Register: **ExCA memory window 0 offset-address high-byte**
 Offset: CardBus Socket Address + 815h: Card A ExCA Offset 15h
 Card B ExCA Offset 55h

Register: **ExCA memory window 1 offset-address high-byte**
 Offset: CardBus Socket Address + 81Dh: Card A ExCA Offset 1Dh
 Card B ExCA Offset 5Dh

Register: **ExCA memory window 2 offset-address high-byte**
 Offset: CardBus Socket Address + 825h: Card A ExCA Offset 25h
 Card B ExCA Offset 65h

Register: **ExCA memory window 3 offset-address high-byte**
 Offset: CardBus Socket Address + 82Dh: Card A ExCA Offset 2Dh
 Card B ExCA Offset 6Dh

Register: **ExCA memory window 4 offset-address high-byte**
 Offset: CardBus Socket Address + 835h: Card A ExCA Offset 35h
 Card B ExCA Offset 75h

Type: Read/Write
 Default: 00h

Table 5–13. ExCA Memory Windows 0–4 Offset-Address High-Byte Registers Description

BIT	SIGNAL	TYPE	FUNCTION
7	WINWP	RW	Write protect. This bit specifies whether write operations to this memory window are enabled. This bit is encoded as: 0 = Write operations are allowed (default). 1 = Write operations are not allowed.
6	REG	RW	This bit specifies whether this memory window is mapped to card attribute or common memory. This bit is encoded as: 0 = Memory window is mapped to common memory (default). 1 = Memory window is mapped to attribute memory.
5–0	OFFHB	RW	Offset-address high byte. These bits represent the upper address bits A25–A20 of the memory window offset address.

5.19 ExCA Card Detect and General Control Register

This register controls how the ExCA registers for the socket respond to card removal. It also reports the status of the $\overline{VS1}$ and $\overline{VS2}$ signals at the PC Card interface. Table 5–14 describes each bit in the ExCA card detect and general control register.

Bit	7	6	5	4	3	2	1	0
Name	ExCA card detect and general control							
Type	R	R	W	RW	R	R	RW	R
Default	X	X	0	0	0	0	0	0

Register: **ExCA card detect and general control**
 Offset: CardBus Socket Address + 816h: Card A ExCA Offset 16h
 Card B ExCA Offset 56h
 Type: Read-only, Write-only, Read/Write
 Default: XX00 0000b

Table 5–14. ExCA Card Detect and General Control Register Description

BIT	SIGNAL	TYPE	FUNCTION
7 †	VS2STAT	R	VS2. This bit reports the current state of the $\overline{VS2}$ signal at the PC Card interface, and, therefore, does not have a default value. 0 = $\overline{VS2}$ is low. 1 = $\overline{VS2}$ is high.
6 †	VS1STAT	R	VS1. This bit reports the current state of the $\overline{VS1}$ signal at the PC Card interface, and, therefore, does not have a default value. 0 = $\overline{VS1}$ is low. 1 = $\overline{VS1}$ is high.
5	SWCSC	W	Software card detect interrupt. If card detect enable, bit 3 in the ExCA card status change interrupt configuration register (ExCA offset 805h, see Section 5.6) is set, then writing a 1 to this bit causes a card-detect card-status-change interrupt for the associated card socket. If the card-detect enable bit is cleared to 0 in the ExCA card status-change interrupt configuration register (ExCA offset 805h, see Section 5.6), then writing a 1 to the software card-detect interrupt bit has no effect. This bit is write-only. A read operation of this bit always returns 0. Writing a 1 to this bit also clears it. If bit 2 of the ExCA global control register (ExCA offset 81Eh, see Section 5.20) is set and a 1 is written to clear bit 3 of the ExCA card status change interrupt register, then this bit also is cleared.
4	CDRESUME	RW	Card detect resume enable. If this bit is set to 1 and a card detect change has been detected on the $\overline{CD1}$ and $\overline{CD2}$ inputs, then the $\overline{RI_OUT}$ output goes from high to low. The $\overline{RI_OUT}$ remains low until the card status change bit in the ExCA card status-change register (ExCA offset 804h, see Section 5.5) is cleared. If this bit is a 0, then the card detect resume functionality is disabled. 0 = Card detect resume disabled (default) 1 = Card detect resume enabled
3–2	RSVD	R	These bits return 0s when read. Writes have no effect.
1	REGCONFIG	RW	Register configuration upon card removal. This bit controls how the ExCA registers for the socket react to a card removal event. This bit is encoded as: 0 = No change to ExCA registers upon card removal (default) 1 = Reset ExCA registers upon card removal
0	RSVD	R	This bit returns 0 when read. A write has no effect.

† One or more bits in this register are cleared only by the assertion of \overline{GRST} when \overline{PME} is enabled. If \overline{PME} is not enabled, then this bit is cleared by the assertion of \overline{PRST} or \overline{GRST} .

5.20 ExCA Global Control Register

This register controls both PC Card sockets, and is not duplicated for each socket. The host interrupt mode bits in this register are retained for 82365SL-DF compatibility. See Table 5–15 for a complete description of the register contents.

Bit	7	6	5	4	3	2	1	0
Name	ExCA global control							
Type	R	R	R	RW	RW	RW	RW	RW
Default	0	0	0	0	0	0	0	0

Register: **ExCA global control**
 Offset: CardBus Socket Address + 81Eh: Card A ExCA Offset 1Eh
 Card B ExCA Offset 5Eh
 Type: Read-only, Read/Write
 Default: 00h

Table 5–15. ExCA Global Control Register Description

BIT	SIGNAL	TYPE	FUNCTION
7–5	RSVD	R	These bits return 0s when read. Writes have no effect.
4	INTMODEB	RW	Level/edge interrupt mode select, card B. This bit selects the signaling mode for the PCI7510 host interrupt for card B interrupts. This bit is encoded as: 0 = Host interrupt is edge mode (default). 1 = Host interrupt is level mode.
3	INTMODEA	RW	Level/edge interrupt mode select, card A. This bit selects the signaling mode for the PCI7510 host interrupt for card A interrupts. This bit is encoded as: 0 = Host interrupt is edge-mode (default). 1 = Host interrupt is level-mode.
2 ‡	IFCMODE	RW	Interrupt flag clear mode select. This bit selects the interrupt flag clear mechanism for the flags in the ExCA card status change register. This bit is encoded as: 0 = Interrupt flags cleared by read of CSC register (default) 1 = Interrupt flags cleared by explicit writeback of 1
1 ‡	CSCMODE	RW	Card status change level/edge mode select. This bit selects the signaling mode for the PCI7510 host interrupt for card status changes. This bit is encoded as: 0 = Host interrupt is edge-mode (default). 1 = Host interrupt is level-mode.
0 ‡	PWRDWN	RW	Power-down mode select. When this bit is set to 1, the PCI7510 device is in power-down mode. In power-down mode the PCI7510 card outputs are placed in a high-impedance state until an active cycle is executed on the card interface. Following an active cycle the outputs are again placed in a high-impedance state. The PCI7510 device still receives functional interrupts and/or card status change interrupts; however, an actual card access is required to wake up the interface. This bit is encoded as: 0 = Power-down mode disabled (default) 1 = Power-down mode enabled

‡ One or more bits in this register are cleared only by the assertion of $\overline{\text{GRST}}$.

5.21 ExCA I/O Windows 0 and 1 Offset-Address Low-Byte Registers

These registers contain the low byte of the 16-bit I/O window offset address for I/O windows 0 and 1. The 8 bits of these registers correspond to the lower 8 bits of the offset address, and bit 0 is always 0.

Bit	7	6	5	4	3	2	1	0
Name	ExCA I/O windows 0 and 1 offset-address low-byte							
Type	RW	RW	RW	RW	RW	RW	RW	R
Default	0	0	0	0	0	0	0	0

Register: **ExCA I/O window 0 offset-address low-byte**
 Offset: CardBus Socket Address + 836h: Card A ExCA Offset 36h
 Card B ExCA Offset 76h

Register: **ExCA I/O window 1 offset-address low-byte**
 Offset: CardBus Socket Address + 838h: Card A ExCA Offset 38h
 Card B ExCA Offset 78h

Type: Read/Write, Read-only
 Default: 00h

5.22 ExCA I/O Windows 0 and 1 Offset-Address High-Byte Registers

These registers contain the high byte of the 16-bit I/O window offset address for I/O windows 0 and 1. The 8 bits of these registers correspond to the upper 8 bits of the offset address.

Bit	7	6	5	4	3	2	1	0
Name	ExCA I/O windows 0 and 1 offset-address high-byte							
Type	RW	RW	RW	RW	RW	RW	RW	RW
Default	0	0	0	0	0	0	0	0

Register: **ExCA I/O window 0 offset-address high-byte**
 Offset: CardBus Socket Address + 837h: Card A ExCA Offset 37h
 Card B ExCA Offset 77h

Register: **ExCA I/O window 1 offset-address high-byte**
 Offset: CardBus Socket Address + 839h: Card A ExCA Offset 39h
 Card B ExCA Offset 79h

Type: Read/Write
 Default: 00h

5.23 ExCA Memory Windows 0–4 Page Registers

The upper 8 bits of a 4-byte PCI memory address are compared to the contents of this register when decoding addresses for 16-bit memory windows. Each window has its own page register, all of which default to 00h. By programming this register to a nonzero value, host software can locate 16-bit memory windows in any one of 256 16-Mbyte regions in the 4-gigabyte PCI address space. These registers are only accessible when the ExCA registers are memory-mapped, that is, these registers may not be accessed using the index/data I/O scheme.

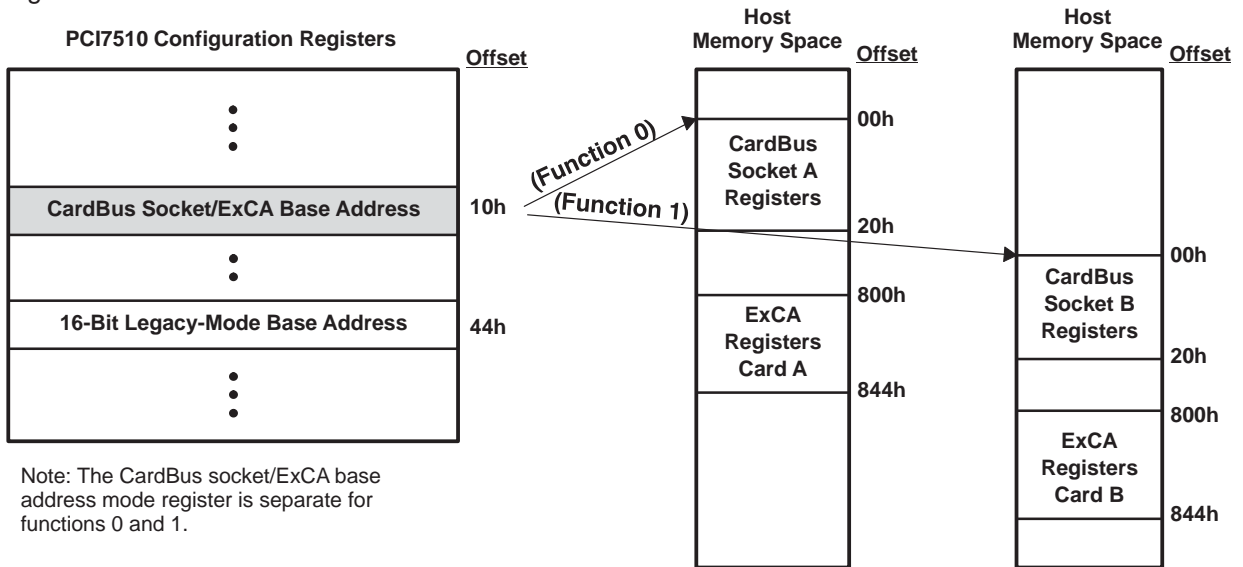
Bit	7	6	5	4	3	2	1	0
Name	ExCA memory windows 0–4 page							
Type	RW	RW	RW	RW	RW	RW	RW	R
Default	0	0	0	0	0	0	0	0

Register: **ExCA memory windows 0–4 page**
 Offset: CardBus Socket Address + 840h, 841h, 842h, 843h, 844h
 Type: Read/Write
 Default: 00h

6 CardBus Socket Registers (Functions 0 and 1)

The 1997 PC Card Standard requires a CardBus socket controller to provide five 32-bit registers that report and control socket-specific functions. The PCI7510 device provides the CardBus socket/ExCA base address register (PCI offset 10h, see Section 4.13) to locate these CardBus socket registers in PCI memory address space. Each function has a separate base address register for accessing the CardBus socket registers (see Figure 6–1). Table 6–1 gives the location of the socket registers in relation to the CardBus socket/ExCA base address.

In addition to the five required registers, the PCI7510 device implements a register at offset 20h that provides power management control for the socket.



Offsets are from the CardBus socket/ExCA base address register's base address.

Figure 6–1. Accessing CardBus Socket Registers Through PCI Memory

Table 6–1. CardBus Socket Registers

REGISTER NAME	OFFSET
Socket event †	00h
Socket mask †	04h
Socket present state †	08h
Socket force event	0Ch
Socket control †	10h
Reserved	14h–1Ch
Socket power management ‡	20h

† One or more bits in the register are PME context bits and can be cleared only by the assertion of $\overline{\text{GRST}}$ when $\overline{\text{PME}}$ is enabled. If $\overline{\text{PME}}$ is not enabled, then these bits are cleared by the assertion of $\overline{\text{PRST}}$ or $\overline{\text{GRST}}$.

‡ One or more bits in this register are cleared only by the assertion of $\overline{\text{GRST}}$.

6.1 Socket Event Register

This register indicates a change in socket status has occurred. These bits do not indicate what the change is, only that one has occurred. Software must read the socket present state register for current status. Each bit in this register can be cleared by writing a 1 to that bit. The bits in this register can be set to a 1 by software through writing a 1 to the corresponding bit in the socket force event register. All bits in this register are cleared by PCI reset. They can be immediately set again, if, when coming out of PC Card reset, the bridge finds the status unchanged (i.e., CSTSCHG reasserted or card detect is still true). Software needs to clear this register before enabling interrupts. If it is not cleared and interrupts are enabled, then an unmasked interrupt is generated based on any bit that is set. See Table 6–2 for a complete description of the register contents.

Bit	31	30	29	28	27	26	25	24	23	22	21	20	19	18	17	16
Name	Socket event															
Type	R	R	R	R	R	R	R	R	R	R	R	R	R	R	R	R
Default	0	0	0	0	0	0	0	0	0	0	0	0	0	0	0	0
Bit	15	14	13	12	11	10	9	8	7	6	5	4	3	2	1	0
Name	Socket event															
Type	R	R	R	R	R	R	R	R	R	R	R	R	RWC	RWC	RWC	RWC
Default	0	0	0	0	0	0	0	0	0	0	0	0	0	0	0	0

Register: **Socket event**
 Offset: CardBus Socket Address + 00h
 Type: Read-only, Read/Write to Clear
 Default: 0000 0000h

Table 6–2. Socket Event Register Description

BIT	SIGNAL	TYPE	FUNCTION
31–4	RSVD	R	These bits return 0s when read.
3†	PWREVENT	RWC	Power cycle. This bit is set when the PCI7510 device detects that the PWRCYCLE bit in the socket present state register (offset 08h, see Section 6.3) has changed. This bit is cleared by writing a 1.
2†	CD2EVENT	RWC	CCD2. This bit is set when the PCI7510 device detects that the CDETECT2 field in the socket present state register (offset 08h, see Section 6.3) has changed. This bit is cleared by writing a 1.
1†	CD1EVENT	RWC	CCD1. This bit is set when the PCI7510 device detects that the CDETECT1 field in the socket present state register (offset 08h, see Section 6.3) has changed. This bit is cleared by writing a 1.
0†	CSTSEVENT	RWC	CSTSCHG. This bit is set when the CARDSTS field in the socket present state register (offset 08h, see Section 6.3) has changed state. For CardBus cards, this bit is set on the rising edge of the CSTSCHG signal. For 16-bit PC Cards, this bit is set on both transitions of the CSTSCHG signal. This bit is reset by writing a 1.

† This bit is cleared only by the assertion of $\overline{\text{GRST}}$ when $\overline{\text{PME}}$ is enabled. If $\overline{\text{PME}}$ is not enabled, then this bit is cleared by the assertion of $\overline{\text{PRST}}$ or $\overline{\text{GRST}}$.

6.2 Socket Mask Register

This register allows software to control the CardBus card events which generate a status change interrupt. The state of these mask bits does not prevent the corresponding bits from reacting in the socket event register (offset 00h, see Section 6.1). See Table 6–3 for a complete description of the register contents.

Bit	31	30	29	28	27	26	25	24	23	22	21	20	19	18	17	16
Name	Socket mask															
Type	R	R	R	R	R	R	R	R	R	R	R	R	R	R	R	R
Default	0	0	0	0	0	0	0	0	0	0	0	0	0	0	0	0
Bit	15	14	13	12	11	10	9	8	7	6	5	4	3	2	1	0
Name	Socket mask															
Type	R	R	R	R	R	R	R	R	R	R	R	R	RW	RW	RW	RW
Default	0	0	0	0	0	0	0	0	0	0	0	0	0	0	0	0

Register: **Socket mask**
 Offset: CardBus Socket Address + 04h
 Type: Read-only, Read/Write
 Default: 0000 0000h

Table 6–3. Socket Mask Register Description

BIT	SIGNAL	TYPE	FUNCTION
31–4	RSVD	R	These bits return 0s when read.
3†	PWRMASK	RW	Power cycle. This bit masks the PWRCYCLE bit in the socket present state register (offset 08h, see Section 6.3) from causing a status change interrupt. 0 = PWRCYCLE event does not cause a CSC interrupt (default). 1 = PWRCYCLE event causes a CSC interrupt.
2–1†	CDMASK	RW	Card detect mask. These bits mask the CDETECT1 and CDETECT2 bits in the socket present state register (offset 08h, see Section 6.3) from causing a CSC interrupt. 00 = Insertion/removal does not cause a CSC interrupt (default). 01 = Reserved (undefined) 10 = Reserved (undefined) 11 = Insertion/removal causes a CSC interrupt.
0†	CSTSMASK	RW	CSTSCHG mask. This bit masks the CARDSTS field in the socket present state register (offset 08h, see Section 6.3) from causing a CSC interrupt. 0 = CARDSTS event does not cause a CSC interrupt (default). 1 = CARDSTS event causes a CSC interrupt.

† This bit is cleared only by the assertion of $\overline{\text{GRST}}$ when $\overline{\text{PME}}$ is enabled. If $\overline{\text{PME}}$ is not enabled, then this bit is cleared by the assertion of PRST or GRST.

6.3 Socket Present State Register

This register reports information about the socket interface. Writes to the socket force event register (offset 0Ch, see Section 6.4), as well as general socket interface status, are reflected here. Information about PC Card V_{CC} support and card type is only updated at each insertion. Also note that the PCI7510 device uses the $\overline{CCD1}$ and $\overline{CCD2}$ signals during card identification, and changes on these signals during this operation are not reflected in this register.

Bit	31	30	29	28	27	26	25	24	23	22	21	20	19	18	17	16
Name	Socket present state															
Type	R	R	R	R	R	R	R	R	R	R	R	R	R	R	R	R
Default	0	0	1	1	0	0	0	0	0	0	0	0	0	0	0	0
Bit	15	14	13	12	11	10	9	8	7	6	5	4	3	2	1	0
Name	Socket present state															
Type	R	R	R	R	R	R	R	R	R	R	R	R	R	R	R	R
Default	0	0	0	0	0	0	0	0	0	0	X	0	0	0	X	X

Register: **Socket present state**
 Offset: CardBus Socket Address + 08h
 Type: Read-only
 Default: 3000 00XXh

Table 6–4. Socket Present State Register Description

BIT	SIGNAL	TYPE	FUNCTION
31	YVSOCKET	R	YV socket. This bit indicates whether or not the socket can supply $V_{CC} = Y.Y$ V to PC Cards. The PCI7510 device does not support Y.Y-V V_{CC} ; therefore, this bit is always reset unless overridden by the socket force event register (offset 0Ch, see Section 6.4). This bit defaults to 0.
30	XVSOCKET	R	XV socket. This bit indicates whether or not the socket can supply $V_{CC} = X.X$ V to PC Cards. The PCI7510 device does not support X.X-V V_{CC} ; therefore, this bit is always reset unless overridden by the socket force event register (offset 0Ch, see Section 6.4). This bit defaults to 0.
29	3VSOCKET	R	3-V socket. This bit indicates whether or not the socket can supply $V_{CC} = 3.3$ Vdc to PC Cards. The PCI7510 device does support 3.3-V V_{CC} ; therefore, this bit is always set unless overridden by the socket force event register (offset 0Ch, see Section 6.4).
28	5VSOCKET	R	5-V socket. This bit indicates whether or not the socket can supply $V_{CC} = 5$ Vdc to PC Cards. The PCI7510 device does support 5-V V_{CC} ; therefore, this bit is always set unless overridden by bit 6 of the device control register (PCI offset 92h, see Section 4.39).
27 †	ZVSUPPORT	R	Zoomed video support. This bit indicates whether or not the socket has support for zoomed video. 0 = ZV support disabled 1 = ZV support enabled
26–14	RSVD	R	These bits return 0s when read.
13 †	YVCARD	R	YV card. This bit indicates whether or not the PC Card inserted in the socket supports $V_{CC} = Y.Y$ Vdc. This bit can be set by writing a 1 to the corresponding bit in the socket force event register (offset 0Ch, see Section 6.4).
12 †	XVCARD	R	XV card. This bit indicates whether or not the PC Card inserted in the socket supports $V_{CC} = X.X$ Vdc. This bit can be set by writing a 1 to the corresponding bit in the socket force event register (offset 0Ch, see Section 6.4).
11 †	3VCARD	R	3-V card. This bit indicates whether or not the PC Card inserted in the socket supports $V_{CC} = 3.3$ Vdc. This bit can be set by writing a 1 to the corresponding bit in the socket force event register (offset 0Ch, see Section 6.4).
10 †	5VCARD	R	5-V card. This bit indicates whether or not the PC Card inserted in the socket supports $V_{CC} = 5$ Vdc. This bit can be set by writing a 1 to the corresponding bit in the socket force event register (offset 0Ch, see Section 6.4).

† One or more bits in the register are PME context bits and can be cleared only by the assertion of \overline{GRST} when \overline{PME} is enabled. If \overline{PME} is not enabled, then these bits are cleared by the assertion of \overline{PRST} or \overline{GRST} .

Table 6–4. Socket Present State Register Description (Continued)

BIT	SIGNAL	TYPE	FUNCTION
9 †	BADVCCREQ	R	Bad V _{CC} request. This bit indicates that the host software has requested that the socket be powered at an invalid voltage. 0 = Normal operation (default) 1 = Invalid V _{CC} request by host software
8 †	DATALOST	R	Data lost. This bit indicates that a PC Card removal event may have caused lost data because the cycle did not terminate properly or because write data still resides in the PCI7510 device. 0 = Normal operation (default) 1 = Potential data loss due to card removal
7 †	NOTACARD	R	Not a card. This bit indicates that an unrecognizable PC Card has been inserted in the socket. This bit is not updated until a valid PC Card is inserted into the socket. 0 = Normal operation (default) 1 = Unrecognizable PC Card detected
6	IREQCINT	R	READY(<u>IREQ</u>)/ <u>CINT</u> . This bit indicates the current status of the READY(<u>IREQ</u>)/ <u>CINT</u> signal at the PC Card interface. 0 = READY(<u>IREQ</u>)/ <u>CINT</u> is low. 1 = READY(<u>IREQ</u>)/ <u>CINT</u> is high.
5 †	CBCARD	R	CardBus card detected. This bit indicates that a CardBus PC Card is inserted in the socket. This bit is not updated until another card interrogation sequence occurs (card insertion).
4 †	16BITCARD	R	16-bit card detected. This bit indicates that a 16-bit PC Card is inserted in the socket. This bit is not updated until another card interrogation sequence occurs (card insertion).
3 †	PWRCYCLE	R	Power cycle. This bit indicates the status of each card powering request. This bit is encoded as: 0 = Socket is powered down (default). 1 = Socket is powered up.
2 †	CDETECT2	R	<u>CCD2</u> . This bit reflects the current status of the <u>CCD2</u> signal at the PC Card interface. Changes to this signal during card interrogation are not reflected here. 0 = <u>CCD2</u> is low (PC Card may be present) 1 = <u>CCD2</u> is high (PC Card not present)
1 †	CDETECT1	R	<u>CCD1</u> . This bit reflects the current status of the <u>CCD1</u> signal at the PC Card interface. Changes to this signal during card interrogation are not reflected here. 0 = <u>CCD1</u> is low (PC Card may be present). 1 = <u>CCD1</u> is high (PC Card not present).
0	CARDSTS	R	<u>CSTSCHG</u> . This bit reflects the current status of the <u>CSTSCHG</u> signal at the PC Card interface. 0 = <u>CSTSCHG</u> is low. 1 = <u>CSTSCHG</u> is high.

† One or more bits in the register are PME context bits and can be cleared only by the assertion of GRST when PME is enabled. If PME is not enabled, then these bits are cleared by the assertion of PRST or GRST.

6.4 Socket Force Event Register

This register is used to force changes to the socket event register (offset 00h, see Section 6.1) and the socket present state register (offset 08h, see Section 6.3). The CVSTEST bit (bit 14) in this register must be written when forcing changes that require card interrogation. See Table 6–5 for a complete description of the register contents.

Bit	31	30	29	28	27	26	25	24	23	22	21	20	19	18	17	16
Name	Socket force event															
Type	R	R	R	R	R	R	R	R	R	R	R	R	R	R	R	R
Default	0	0	0	0	0	0	0	0	0	0	0	0	0	0	0	0
Bit	15	14	13	12	11	10	9	8	7	6	5	4	3	2	1	0
Name	Socket force event															
Type	R	W	W	W	W	W	W	W	W	R	W	W	W	W	W	W
Default	X	X	X	X	X	X	X	X	X	X	X	X	X	X	X	X

Register: **Socket force event**
 Offset: CardBus Socket Address + 0Ch
 Type: Read-only, Write-only
 Default: 0000 XXXXh

Table 6–5. Socket Force Event Register Description

BIT	SIGNAL	TYPE	FUNCTION
31–28	RSVD	R	Reserved. These bits return 0s when read.
27	FZVSUPPORT (function 0) RSVD (function 1)	W	Force zoomed video support. Writes to this bit cause the ZVSUPPORT bit in the socket present state register to be written. Reserved. This bit returns 0 when read.
26–15	RSVD	R	These bits return 0s when read.
14	CVSTEST	W	Card VS test. When this bit is set, the PCI7510 device reinterrogates the PC Card, updates the socket present state register (offset 08h, see Section 6.3), and re-enables the socket power control.
13	FYVCARD	W	Force YV card. Writes to this bit cause the YVCARD bit in the socket present state register (offset 08h, see Section 6.3) to be written. When set, this bit disables the socket power control.
12	FXVCARD	W	Force XV card. Writes to this bit cause the XVCARD bit in the socket present state register (offset 08h, see Section 6.3) to be written. When set, this bit disables the socket power control.
11	F3VCARD	W	Force 3-V card. Writes to this bit cause the 3VCARD bit in the socket present state register (offset 08h, see Section 6.3) to be written. When set, this bit disables the socket power control.
10	F5VCARD	W	Force 5-V card. Writes to this bit cause the 5VCARD bit in the socket present state register (offset 08h, see Section 6.3) to be written. When set, this bit disables the socket power control.
9	FBADVCCREQ	W	Force BadVccReq. Changes to the BADVCCREQ bit in the socket present state register (offset 08h, see Section 6.3) can be made by writing this bit.
8	FDATALOST	W	Force data lost. Writes to this bit cause the DATALOST bit in the socket present state register (offset 08h, see Section 6.3) to be written.
7	FNOTACARD	W	Force not a card. Writes to this bit cause the NOTACARD bit in the socket present state register (offset 08h, see Section 6.3) to be written.
6	RSVD	R	This bit returns 0 when read.
5	FCBCARD	W	Force CardBus card. Writes to this bit cause the CBCARD bit in the socket present state register (offset 08h, see Section 6.3) to be written.
4	F16BITCARD	W	Force 16-bit card. Writes to this bit cause the 16BITCARD bit in the socket present state register (offset 08h, see Section 6.3) to be written.
3	FPWRCYCLE	W	Force power cycle. Writes to this bit cause the PWREVENT bit in the socket event register (offset 00h, see Section 6.1) to be written, and the PWRCYCLE bit in the socket present state register (offset 08h, see Section 6.3) is unaffected.
2	FCDETECT2	W	Force CCD2. Writes to this bit cause the CD2EVENT bit in the socket event register (offset 00h, see Section 6.1) to be written, and the CDETECT2 bit in the socket present state register (offset 08h, see Section 6.3) is unaffected.
1	FCDETECT1	W	Force CCD1. Writes to this bit cause the CD1EVENT bit in the socket event register (offset 00h, see Section 6.1) to be written, and the CDETECT1 bit in the socket present state register (offset 08h, see Section 6.3) is unaffected.
0	FCARDSTS	W	Force CSTSCHG. Writes to this bit cause the CSTSEVENT bit in the socket event register (offset 00h, see Section 6.1) to be written. The CARDSTS bit in the socket present state register (offset 08h, see Section 6.3) is unaffected.

6.5 Socket Control Register

This register provides control of the voltages applied to the socket V_{PP} and V_{CC} . The PCI7510 device ensures that the socket is powered up only at acceptable voltages when a CardBus card is inserted. See Table 6–6 for a complete description of the register contents.

Bit	31	30	29	28	27	26	25	24	23	22	21	20	19	18	17	16
Name	Socket control															
Type	R	R	R	R	R	R	R	R	R	R	R	R	R	R	R	R
Default	0	0	0	0	0	0	0	0	0	0	0	0	0	0	0	0
Bit	15	14	13	12	11	10	9	8	7	6	5	4	3	2	1	0
Name	Socket control															
Type	R	R	R	R	R	R	RW	R	RW	RW	RW	RW	R	RW	RW	RW
Default	0	0	0	0	0	0	0	0	0	0	0	0	0	0	0	0

Register: **Socket control**
 Offset: CardBus Socket Address + 10h
 Type: Read-only, Read/Write
 Default: 0000 0000h

Table 6–6. Socket Control Register Description

BIT	SIGNAL	TYPE	FUNCTION
31–12	RSVD	R	These bits return 0s when read.
11	ZV_ACTIVITY	R	This bit returns 0 when the ZVEN bits (bit 0) for both sockets are 0 (disabled). If either ZVEN bit is set to 1, the ZV_ACTIVITY bit returns 1.
10	STANDARDZVREG	R	Standardized zoomed video register model supported. Because the PCI7510 device supports this register model, this bit is hardwired to 1.
9	ZVEN	RW	Zoomed video enable. This bit enables zoomed video for the socket.
8	RSVD	R	These bits return 0s when read.
7	STOPCLK	RW	This bit controls how the CardBus clock run state machine decides when to stop the CardBus clock to the CardBus card: 0 = The CardBus $\overline{\text{CLKRUN}}$ protocol can only attempt to stop/slow the CardBus clock if the socket has been idle for 8 clocks and the PCI $\overline{\text{CLKRUN}}$ protocol is preparing to stop/slow the PCI bus clock. 1 = The CardBus $\overline{\text{CLKRUN}}$ protocol can only attempt to stop/slow the CardBus clock if the socket has been idle for 8 clocks, regardless of the state of the PCI $\overline{\text{CLKRUN}}$ signal.
6–4 †	VCCCTRL	RW	V_{CC} control. These bits are used to request card V_{CC} changes. 000 = Request power off (default) 100 = Request $V_{CC} = X.X$ V 001 = Reserved 101 = Request $V_{CC} = Y.Y$ V 010 = Request $V_{CC} = 5$ V 110 = Reserved 011 = Request $V_{CC} = 3.3$ V 111 = Reserved
3	RSVD	R	This bit returns 0 when read.
2–0 †	VPPCTRL	RW	V_{PP} control. These bits are used to request card V_{PP} changes. 000 = Request power off (default) 100 = Request $V_{PP} = X.X$ V 001 = Request $V_{PP} = 12$ V 101 = Request $V_{PP} = Y.Y$ V 010 = Request $V_{PP} = 5$ V 110 = Reserved 011 = Request $V_{PP} = 3.3$ V 111 = Reserved

† One or more bits in the register are PME context bits and can be cleared only by the assertion of $\overline{\text{GRST}}$ when $\overline{\text{PME}}$ is enabled. If $\overline{\text{PME}}$ is not enabled, then this bit is cleared by the assertion of $\overline{\text{PRST}}$ or $\overline{\text{GRST}}$.

6.6 Socket Power Management Register

This register provides power management control over the socket through a mechanism for slowing or stopping the clock on the card interface when the card is idle. See Table 6–7 for a complete description of the register contents.

Bit	31	30	29	28	27	26	25	24	23	22	21	20	19	18	17	16
Name	Socket power management															
Type	R	R	R	R	R	R	R	R	R	R	R	R	R	R	R	RW
Default	0	0	0	0	0	0	0	0	0	0	0	0	0	0	0	0
Bit	15	14	13	12	11	10	9	8	7	6	5	4	3	2	1	0
Name	Socket power management															
Type	R	R	R	R	R	R	R	R	R	R	R	R	R	R	R	RW
Default	0	0	0	0	0	0	0	0	0	0	0	0	0	0	0	0

Register: **Socket power management**
 Offset: CardBus Socket Address + 20h
 Type: Read-only, Read/Write
 Default: 0000 0000h

Table 6–7. Socket Power Management Register Description

BIT	SIGNAL	TYPE	FUNCTION
31–26	RSVD	R	Reserved. These bits return 0s when read.
25 ‡	SKTACCES	R	Socket access status. This bit provides information on whether a socket access has occurred. This bit is cleared by a read access. 0 = No PC Card access has occurred (default). 1 = PC Card has been accessed.
24 ‡	SKTMODE	R	Socket mode status. This bit provides clock mode information. 0 = Normal clock operation 1 = Clock frequency has changed.
23–17	RSVD	R	These bits return 0s when read.
16	CLKCTRLLEN	RW	CardBus clock control enable. This bit, when set, enables clock control according to bit 0 (CLKCTRL). 0 = Clock control disabled (default) 1 = Clock control enabled
15–1	RSVD	R	These bits return 0s when read.
0	CLKCTRL	RW	CardBus clock control. This bit determines whether the CardBus $\overline{\text{CLKRUN}}$ protocol attempts to stop or slow the CardBus clock during <u>idle states</u> . The CLKCTRLLEN bit enables this bit. 0 = Allows the CardBus $\overline{\text{CLKRUN}}$ protocol to attempt to stop the CardBus clock (default) 1 = Allows the CardBus $\overline{\text{CLKRUN}}$ protocol to attempt to slow the CardBus clock by a factor of 16

‡ One or more bits in this register are cleared only by the assertion of $\overline{\text{GRST}}$.

7 OHCI Controller Programming Model

This section describes the internal PCI configuration registers used to program the PCI7510 1394 open host controller interface. All registers are detailed in the same format: a brief description for each register is followed by the register offset and a bit table describing the reset state for each register.

A bit description table, typically included when the register contains bits of more than one type or purpose, indicates bit field names, a detailed field description, and field access tags which appear in the *type* column. Table 4–1 describes the field access tags.

PCI7510 device is a multifunction PCI device. The 1394 OHCI is integrated as PCI function 2. The function 2 configuration header is compliant with the *PCI Local Bus Specification* as a standard header. Table 7–1 illustrates the configuration header that includes both the predefined portion of the configuration space and the user-definable registers.

Table 7–1. Function 2 Configuration Register Map

REGISTER NAME				OFFSET
Device ID		Vendor ID		00h
Status		Command		04h
Class code			Revision ID	08h
BIST	Header type	Latency timer	Cache line size	0Ch
OHCI base address				10h
TI extension base address				14h
CardBus CIS base address				18h
Reserved				1Ch–27h
CardBus CIS pointer ‡				28h
Subsystem ID ‡		Subsystem vendor ID ‡		2Ch
Reserved				30h
Reserved			PCI power management capabilities pointer	34h
Reserved				38h
Maximum latency ‡	Minimum grant ‡	Interrupt pin	Interrupt line	3Ch
PCI OHCI control				40h
Power management capabilities		Next item pointer	Capability ID	44h
PM data	PMCSR_BSE	Power management control and status ‡		48h
Reserved				4Ch–EBh
PCI PHY control ‡				ECh
PCI miscellaneous configuration ‡				F0h
Link enhancement control ‡				F4h
Subsystem access				F8h
Reserved				FCh

‡ One or more bits in this register are cleared only by the assertion of $\overline{\text{GRST}}$.

7.1 Vendor ID Register

The vendor ID register contains a value allocated by the PCI SIG and identifies the manufacturer of the PCI device. The vendor ID assigned to Texas Instruments is 104Ch.

Bit	15	14	13	12	11	10	9	8	7	6	5	4	3	2	1	0
Name	Vendor ID															
Type	R	R	R	R	R	R	R	R	R	R	R	R	R	R	R	R
Default	0	0	0	1	0	0	0	0	0	1	0	0	1	1	0	0

Register: **Vendor ID**
 Offset: 00h
 Type: Read-only
 Default: 104Ch

7.2 Device ID Register

The device ID register contains a value assigned to the PCI7510 device by Texas Instruments. The device identification for the PCI7510 device is 802Bh.

Bit	15	14	13	12	11	10	9	8	7	6	5	4	3	2	1	0
Name	Device ID															
Type	R	R	R	R	R	R	R	R	R	R	R	R	R	R	R	R
Default	1	0	0	0	0	0	0	0	0	0	1	0	1	0	1	1

Register: **Device ID**
 Offset: 02h
 Type: Read-only
 Default: 802Bh

7.3 Command Register

The command register provides control over the PCI7510 interface to the PCI bus. All bit functions adhere to the definitions in the *PCI Local Bus Specification*, as seen in the following bit descriptions. See Table 7–2 for a complete description of the register contents.

Bit	15	14	13	12	11	10	9	8	7	6	5	4	3	2	1	0
Name	Command															
Type	R	R	R	R	R	RW	R	RW	R	RW	R	RW	R	RW	RW	R
Default	0	0	0	0	0	0	0	0	0	0	0	0	0	0	0	0

Register: **Command**
 Offset: 04h
 Type: Read/Write, Read-only
 Default: 0000h

Table 7–2. Command Register Description

BIT	FIELD NAME	TYPE	DESCRIPTION
15–11	RSVD	R	Reserved. Bits 15–10 return 0s when read.
10	INT_DISABLE	RW	$\overline{\text{INTx}}$ disable. When set to 1, this bit disables the function from asserting interrupts on the $\overline{\text{INTx}}$ signals. 0 = $\overline{\text{INTx}}$ assertion is enabled (default) 1 = $\overline{\text{INTx}}$ assertion is disabled This bit is disabled (read-only 0) if bit 11 (PCI2_3_EN) in the PCI miscellaneous configuration register (see Section 7.23) is 0.
9	FBB_ENB	R	Fast back-to-back enable. The PCI7510 device does not generate fast back-to-back transactions; therefore, bit 9 returns 0 when read.
8	SERR_ENB	RW	$\overline{\text{SERR}}$ enable. When bit 8 is set to 1, the PCI7510 $\overline{\text{SERR}}$ driver is enabled. $\overline{\text{SERR}}$ can be asserted after detecting an address parity error on the PCI bus.
7	RSVD	R	Reserved. Bit 7 returns 0 when read.
6	PERR_ENB	RW	Parity error enable. When bit 6 is set to 1, the PCI7510 device is enabled to drive $\overline{\text{PERR}}$ response to parity errors through the $\overline{\text{PERR}}$ signal.
5	VGA_ENB	R	VGA palette snoop enable. The PCI7510 device does not feature VGA palette snooping; therefore, bit 5 returns 0 when read.
4	MWI_ENB	RW	Memory write and invalidate enable. When bit 4 is set to 1, the PCI7510 device is enabled to generate MWI PCI bus commands. If this bit is cleared, then the PCI7510 device generates memory write commands instead.
3	SPECIAL	R	Special cycle enable. The PCI7510 function does not respond to special cycle transactions; therefore, bit 3 returns 0 when read.
2	MASTER_ENB	RW	Bus master enable. When bit 2 is set to 1, the PCI7510 device is enabled to initiate cycles on the PCI bus.
1	MEMORY_ENB	RW	Memory response enable. Setting bit 1 to 1 enables the PCI7510 device to respond to memory cycles on the PCI bus. This bit must be set to access OHCI registers.
0	IO_ENB	R	I/O space enable. The PCI7510 device does not implement any I/O-mapped functionality; therefore, bit 0 returns 0 when read.

7.4 Status Register

The status register provides status over the PCI7510 interface to the PCI bus. All bit functions adhere to the definitions in the *PCI Local Bus Specification*, as seen in the following bit descriptions. See Table 7–3 for a complete description of the register contents.

Bit	15	14	13	12	11	10	9	8	7	6	5	4	3	2	1	0
Name	Status															
Type	RCU	RCU	RCU	RCU	RCU	R	R	RCU	R	R	R	R	RU	R	R	R
Default	0	0	0	0	0	0	1	0	0	0	0	1	0	0	0	0

Register: **Status**
 Offset: 06h
 Type: Read/Clear/Update, Read-only
 Default: 0210h

Table 7–3. Status Register Description

BIT	FIELD NAME	TYPE	DESCRIPTION
15	PAR_ERR	RCU	Detected parity error. Bit 15 is set to 1 when either an address parity or data parity error is detected.
14	SYS_ERR	RCU	Signaled system error. Bit 14 is set to 1 when \overline{SERR} is enabled and the PCI7510 device has signaled a system error to the host.
13	MABORT	RCU	Received master abort. Bit 13 is set to 1 when a cycle initiated by the PCI7510 device on the PCI bus has been terminated by a master abort.
12	TABORT_REC	RCU	Received target abort. Bit 12 is set to 1 when a cycle initiated by the PCI7510 device on the PCI bus was terminated by a target abort.
11	TABORT_SIG	RCU	Signaled target abort. Bit 11 is set to 1 by the PCI7510 device when it terminates a transaction on the PCI bus with a target abort.
10–9	PCI_SPEED	R	DEVSEL timing. Bits 10 and 9 encode the timing of \overline{DEVSEL} and are hardwired to 01b, indicating that the PCI7510 device asserts this signal at a medium speed on nonconfiguration cycle accesses.
8	DATAPAR	RCU	Data parity error detected. Bit 8 is set to 1 when the following conditions have been met: a. \overline{PERR} was asserted by any PCI device including the PCI7510 device. b. The PCI7510 device was the bus master during the data parity error. c. Bit 6 (PERR_EN) in the command register at offset 04h in the PCI configuration space (see Section 7.3) is set to 1.
7	FBB_CAP	R	Fast back-to-back capable. The PCI7510 device cannot accept fast back-to-back transactions; therefore, bit 7 is hardwired to 0.
6	UDF	R	User-definable features (UDF) supported. The PCI7510 device does not support the UDF; therefore, bit 6 is hardwired to 0.
5	66MHZ	R	66-MHz capable. The PCI7510 device operates at a maximum PCLK frequency of 33 MHz; therefore, bit 5 is hardwired to 0.
4	CAPLIST	R	Capabilities list. Bit 4 returns 1 when read, indicating that capabilities additional to standard PCI are implemented. The linked list of PCI power-management capabilities is implemented in this function.
3	INT_STATUS	RU	Interrupt status. This bit reflects the interrupt status of the function. Only when bit 10 (INT_DISABLE) in the command register (see Section 7.3) is a 0 and this bit is 1, will the function's INTx signal be asserted. Setting the INT_DISABLE bit to 1 has no effect on the state of this bit. This bit is disabled (read-only 0) if bit 11 (PCI2_3_EN) in the PCI miscellaneous configuration register (see Section 7.23) is 0.
2–0	RSVD	R	Reserved. Bits 3–0 return 0s when read.

7.5 Class Code and Revision ID Register

The class code and revision ID register categorizes the PCI7510 device as a serial bus controller (0Ch), controlling an IEEE 1394 bus (00h), with an OHCI programming model (10h). Furthermore, the TI chip revision is indicated in the least significant byte. See Table 7–4 for a complete description of the register contents.

Bit	31	30	29	28	27	26	25	24	23	22	21	20	19	18	17	16
Name	Class code and revision ID															
Type	R	R	R	R	R	R	R	R	R	R	R	R	R	R	R	R
Default	0	0	0	0	1	1	0	0	0	0	0	0	0	0	0	0
Bit	15	14	13	12	11	10	9	8	7	6	5	4	3	2	1	0
Name	Class code and revision ID															
Type	R	R	R	R	R	R	R	R	R	R	R	R	R	R	R	R
Default	0	0	0	1	0	0	0	0	0	0	0	0	0	0	0	0

Register: **Class code and revision ID**
 Offset: 08h
 Type: Read-only
 Default: 0C00 1000h

Table 7–4. Class Code and Revision ID Register Description

BIT	FIELD NAME	TYPE	DESCRIPTION
31–24	BASECLASS	R	Base class. This field returns 0Ch when read, which broadly classifies the function as a serial bus controller.
23–16	SUBCLASS	R	Subclass. This field returns 00h when read, which specifically classifies the function as controlling an IEEE 1394 serial bus.
15–8	PGMIF	R	Programming interface. This field returns 10h when read, which indicates that the programming model is compliant with the <i>1394 Open Host Controller Interface Specification</i> .
7–0	CHIPREV	R	Silicon revision. This field returns 00h when read, which indicates the silicon revision of the PCI7510 device.

7.6 Latency Timer and Class Cache Line Size Register

The latency timer and class cache line size register is programmed by host BIOS to indicate system cache line size and the latency timer associated with the PCI7510 device. See Table 7–5 for a complete description of the register contents.

Bit	15	14	13	12	11	10	9	8	7	6	5	4	3	2	1	0
Name	Latency timer and class cache line size															
Type	RW	RW	RW	RW	RW	RW	RW	RW	RW	RW	RW	RW	RW	RW	RW	RW
Default	0	0	0	0	0	0	0	0	0	0	0	0	0	0	0	0

Register: **Latency timer and class cache line size**
 Offset: 0Ch
 Type: Read/Write
 Default: 0000h

Table 7–5. Latency Timer and Class Cache Line Size Register Description

BIT	FIELD NAME	TYPE	DESCRIPTION
15–8	LATENCY_TIMER	RW	PCI latency timer. The value in this register specifies the latency timer for the PCI7510 device, in units of PCI clock cycles. When the PCI7510 device is a PCI bus initiator and asserts FRAME, the latency timer begins counting from zero. If the latency timer expires before the PCI7510 transaction has terminated, then the PCI7510 device terminates the transaction when its GNT is deasserted.
7–0	CACHELINE_SZ	RW	Cache line size. This value is used by the PCI7510 device during memory write and invalidate, memory-read line, and memory-read multiple transactions.

7.7 Header Type and BIST Register

The header type and built-in self-test (BIST) register indicates the PCI7510 PCI header type and no built-in self-test. See Table 7–6 for a complete description of the register contents.

Bit	15	14	13	12	11	10	9	8	7	6	5	4	3	2	1	0
Name	Header type and BIST															
Type	R	R	R	R	R	R	R	R	R	R	R	R	R	R	R	R
Default	0	0	0	0	0	0	0	0	0	0	0	0	0	0	0	0

Register: **Header type and BIST**
 Offset: 0Eh
 Type: Read-only
 Default: 0000h

Table 7–6. Header Type and BIST Register Description

BIT	FIELD NAME	TYPE	DESCRIPTION
15–8	BIST	R	Built-in self-test. The PCI7510 device does not include a BIST; therefore, this field returns 00h when read.
7–0	HEADER_TYPE	R	PCI header type. The PCI7510 device includes the standard PCI header, which is communicated by returning 00h when this field is read.

7.8 OHCI Base Address Register

The OHCI base address register is programmed with a base address referencing the memory-mapped OHCI control. When BIOS writes all 1s to this register, the value read back is FFFF F800h, indicating that at least 2K bytes of memory address space are required for the OHCI registers. See Table 7–7 for a complete description of the register contents.

Bit	31	30	29	28	27	26	25	24	23	22	21	20	19	18	17	16
Name	OHCI base address															
Type	RW	RW	RW	RW	RW	RW	RW	RW	RW	RW	RW	RW	RW	RW	RW	RW
Default	0	0	0	0	0	0	0	0	0	0	0	0	0	0	0	0
Bit	15	14	13	12	11	10	9	8	7	6	5	4	3	2	1	0
Name	OHCI base address															
Type	RW	RW	RW	RW	RW	R	R	R	R	R	R	R	R	R	R	R
Default	0	0	0	0	0	0	0	0	0	0	0	0	0	0	0	0

Register: **OHCI base address**
 Offset: 10h
 Type: Read/Write, Read-only
 Default: 0000 0000h

Table 7–7. OHCI Base Address Register Description

BIT	FIELD NAME	TYPE	DESCRIPTION
31–11	OHCIREG_PTR	RW	OHCI register pointer. This field specifies the upper 21 bits of the 32-bit OHCI base address register.
10–4	OHCI_SZ	R	OHCI register size. This field returns 0s when read, indicating that the OHCI registers require a 2K-byte region of memory.
3	OHCI_PF	R	OHCI register prefetch. Bit 3 returns 0 when read, indicating that the OHCI registers are nonprefetchable.
2–1	OHCI_MEMTYPE	R	OHCI memory type. This field returns 0s when read, indicating that the OHCI base address register is 32 bits wide and mapping can be done anywhere in the 32-bit memory space.
0	OHCI_MEM	R	OHCI memory indicator. Bit 0 returns 0 when read, indicating that the OHCI registers are mapped into system memory space.

7.9 TI Extension Base Address Register

The TI extension base address register is programmed with a base address referencing the memory-mapped TI extension registers. When BIOS writes all 1s to this register, the value read back is FFFF C000h, indicating that at least 16K bytes of memory address space are required for the TI registers. See Table 7–8 for a complete description of the register contents.

Bit	31	30	29	28	27	26	25	24	23	22	21	20	19	18	17	16
Name	TI extension base address															
Type	RW	RW	RW	RW	RW	RW	RW	RW	RW	RW	RW	RW	RW	RW	RW	RW
Default	0	0	0	0	0	0	0	0	0	0	0	0	0	0	0	0
Bit	15	14	13	12	11	10	9	8	7	6	5	4	3	2	1	0
Name	TI extension base address															
Type	RW	RW	R	R	R	R	R	R	R	R	R	R	R	R	R	R
Default	0	0	0	0	0	0	0	0	0	0	0	0	0	0	0	0

Register: **TI extension base address**
 Offset: 14h
 Type: Read/Write, Read-only
 Default: 0000 0000h

Table 7–8. TI Base Address Register Description

BIT	FIELD NAME	TYPE	DESCRIPTION
31–14	TIREG_PTR	RW	TI register pointer. This field specifies the upper 18 bits of the 32-bit TI base address register.
13–4	TI_SZ	R	TI register size. This field returns 0s when read, indicating that the TI registers require a 16K-byte region of memory.
3	TI_PF	R	TI register prefetch. Bit 3 returns 0 when read, indicating that the TI registers are nonprefetchable.
2–1	TI_MEMTYPE	R	TI memory type. This field returns 0s when read, indicating that the TI base address register is 32 bits wide and mapping can be done anywhere in the 32-bit memory space.
0	TI_MEM	R	TI memory indicator. Bit 0 returns 0 when read, indicating that the TI registers are mapped into system memory space.

7.10 CardBus CIS Base Address Register

The internal $\overline{\text{CARDBUS}}$ input to the TSB43AB22 core is tied high such that this register returns 0s when read. See Table 7–9 for a complete description of the register contents.

Bit	31	30	29	28	27	26	25	24	23	22	21	20	19	18	17	16
Name	CardBus CIS base address															
Type	RW	RW	RW	RW	RW	RW	RW	RW	RW	RW	RW	RW	RW	RW	RW	RW
Default	0	0	0	0	0	0	0	0	0	0	0	0	0	0	0	0
Bit	15	14	13	12	11	10	9	8	7	6	5	4	3	2	1	0
Name	CardBus CIS base address															
Type	RW	RW	RW	RW	RW	R	R	R	R	R	R	R	R	R	R	R
Default	0	0	0	0	0	0	0	0	0	0	0	0	0	0	0	0

Register: **CardBus CIS base address**
 Offset: 18h
 Type: Read/Write, Read-only
 Default: 0000 0000h

Table 7–9. CardBus CIS Base Address Register Description

BIT	FIELD NAME	TYPE	DESCRIPTION
31–11	CIS_BASE	RW	CIS base address. This field specifies the upper 21 bits of the 32-bit CIS base address. If $\overline{\text{CARDBUS}}$ is sampled high on a $\overline{\text{GRST}}$, then this field is read-only, returning 0s when read.
10–4	CIS_SZ	R	CIS address space size. This field returns 0s when read, indicating that the CIS space requires a 2K-byte region of memory.
3	CIS_PF	R	CIS prefetch. Bit 3 returns 0 when read, indicating that the CIS is nonprefetchable. Furthermore, the CIS is a byte-accessible address space, and either a doubleword or 16-bit word access yields indeterminate results.
2–1	CIS_MEMTYPE	R	CIS memory type. This field returns 0s when read, indicating that the CardBus CIS base address register is 32 bits wide and mapping can be done anywhere in the 32-bit memory space.
0	CIS_MEM	R	CIS memory indicator. Bit 0 returns 0 when read, indicating that the CIS is mapped into system memory space.

7.11 CardBus CIS Pointer Register

The internal $\overline{\text{CARDBUS}}$ input to the TSB43AB22 core is tied high such that this register returns 0s when read.

Bit	31	30	29	28	27	26	25	24	23	22	21	20	19	18	17	16
Name	CardBus CIS pointer															
Type	R	R	R	R	R	R	R	R	R	R	R	R	R	R	R	R
Default	0	0	0	0	0	0	0	0	0	0	0	0	0	0	0	0
Bit	15	14	13	12	11	10	9	8	7	6	5	4	3	2	1	0
Name	CardBus CIS pointer															
Type	R	R	R	R	R	R	R	R	R	R	R	R	R	R	R	R
Default	0	0	0	0	0	0	0	0	0	0	0	0	0	0	0	0

Register: **CardBus CIS pointer**
 Offset: 28h
 Type: Read-only
 Default: 0000 0000h

7.12 Subsystem Identification Register

The subsystem identification register is used for system and option card identification purposes. This register can be initialized from the serial EEPROM or programmed via the subsystem access register at offset F8h in the PCI configuration space (see Section 7.25). See Table 7–10 for a complete description of the register contents.

Bit	31	30	29	28	27	26	25	24	23	22	21	20	19	18	17	16
Name	Subsystem identification															
Type	RU	RU	RU	RU	RU	RU	RU	RU	RU	RU	RU	RU	RU	RU	RU	RU
Default	0	0	0	0	0	0	0	0	0	0	0	0	0	0	0	0
Bit	15	14	13	12	11	10	9	8	7	6	5	4	3	2	1	0
Name	Subsystem identification															
Type	RU	RU	RU	RU	RU	RU	RU	RU	RU	RU	RU	RU	RU	RU	RU	RU
Default	0	0	0	0	0	0	0	0	0	0	0	0	0	0	0	0

Register: **Subsystem identification**
 Offset: 2Ch
 Type: Read/Update
 Default: 0000 0000h

Table 7–10. Subsystem Identification Register Description

BIT	FIELD NAME	TYPE	DESCRIPTION
31–16 ‡	OHCI_SSID	RU	Subsystem device ID. This field indicates the subsystem device ID.
15–0 ‡	OHCI_SSVID	RU	Subsystem vendor ID. This field indicates the subsystem vendor ID.

‡ One or more bits in this register are cleared only by the assertion of \overline{GRST} .

7.13 Power Management Capabilities Pointer Register

The power management capabilities pointer register provides a pointer into the PCI configuration header where the power-management register block resides. The PCI7510 configuration header doublewords at offsets 44h and 48h provide the power-management registers. This register is read-only and returns 44h when read.

Bit	7	6	5	4	3	2	1	0
Name	Power management capabilities pointer							
Type	R	R	R	R	R	R	R	R
Default	0	1	0	0	0	1	0	0

Register: **Power management capabilities pointer**
 Offset: 34h
 Type: Read-only
 Default: 44h

7.14 Interrupt Line Register

The interrupt line register communicates interrupt line routing information. See Table 7–11 for a complete description of the register contents.

Bit	7	6	5	4	3	2	1	0
Name	Interrupt line							
Type	RW	RW	RW	RW	RW	RW	RW	RW
Default	0	0	0	0	0	0	0	0

Register: **Interrupt line**
 Offset: 3Ch
 Type: Read/Write
 Default: 00h

Table 7–11. Interrupt Line Register Description

BIT	FIELD NAME	TYPE	DESCRIPTION
7–0	INTR_LINE	RW	Interrupt line. This field is programmed by the system and indicates to software which interrupt line the PCI7510 PCI_INTA is connected to.

7.15 Interrupt Pin Register

The value read from this register is function dependent and depends on the values of bits 28, the tie-all bit (TIEALL), and 29, the interrupt tie bit (INTRTIE), in the system control register (PCI offset 80h, see Section 4.30). The INTRTIE bit is compatible with previous TI CardBus controllers, and when set to 1, ties \overline{INTB} to \overline{INTA} internally. The TIEALL bit ties \overline{INTA} , \overline{INTB} , and \overline{INTC} together internally. The internal interrupt connections set by INTRTIE and TIEALL are communicated to host software through this standard register interface. This read-only register is described for all PCI7510 functions in Table 7–12.

Bit	7	6	5	4	3	2	1	0
Name	Interrupt pin							
Type	R	R	R	R	R	R	R	R
Default	0	0	0	0	0	0	1	0

Register: **Interrupt pin**
 Offset: 3Dh
 Type: Read-only
 Default: 02h

Table 7–12. PCI Interrupt Pin Register—Read-Only INTPIN Per Function

INTRTIE BIT (BIT 29, OFFSET 80h)	TIEALL BIT (BIT 28, OFFSET 80h)	INTPIN FUNCTION 0 (CARDBUS)	INTPIN FUNCTION 1 (DEDICATED SOCKET)	INTPIN FUNCTION 2 (1394 OHCI)
0	0	01h (\overline{INTA})	02h (\overline{INTB})	03h (\overline{INTC})
1	0	01h (\overline{INTA})	01h (\overline{INTA})	03h (\overline{INTC})
X	1	01h (\overline{INTA})	01h (\overline{INTA})	01h (\overline{INTA})

NOTE: When configuring the PCI7510 functions to share PCI interrupts, multifunction terminal MFUNC3 must be configured as IRQSER prior to setting the INTRTIE bit.

7.16 Minimum Grant and Maximum Latency Register

The minimum grant and maximum latency register communicates to the system the desired setting of bits 15–8 in the latency timer and class cache line size register at offset 0Ch in the PCI configuration space (see Section 7.6). If a serial EEPROM is detected, then the contents of this register are loaded through the serial EEPROM interface after a \overline{GRST} . If no serial EEPROM is detected, then this register returns a default value that corresponds to the $MAX_LAT = 4$, $MIN_GNT = 2$. See Table 7–13 for a complete description of the register contents.

Bit	15	14	13	12	11	10	9	8	7	6	5	4	3	2	1	0
Name	Minimum grant and maximum latency															
Type	RU	RU	RU	RU	RU	RU	RU	RU	RU	RU	RU	RU	RU	RU	RU	RU
Default	0	0	0	0	0	1	0	0	0	0	0	0	0	0	1	0

Register: **Minimum grant and maximum latency**
 Offset: 3Eh
 Type: Read/Update
 Default: 0402h

Table 7–13. Minimum Grant and Maximum Latency Register Description

BIT	FIELD NAME	TYPE	DESCRIPTION
15–8 ‡	MAX_LAT	RU	Maximum latency. The contents of this field may be used by host BIOS to assign an arbitration priority level to the PCI7510 device. The default for this register indicates that the PCI7510 device may need to access the PCI bus as often as every 0.25 μ s; thus, an extremely high priority level is requested. The contents of this field may also be loaded through the serial EEPROM.
7–0 ‡	MIN_GNT	RU	Minimum grant. The contents of this field may be used by host BIOS to assign a latency timer register value to the PCI7510 device. The default for this register indicates that the PCI7510 device may need to sustain burst transfers for nearly 64 μ s and thus request a large value be programmed in bits 15–8 of the PCI7510 latency timer and class cache line size register at offset 0Ch in the PCI configuration space (see Section 7.6).

‡ One or more bits in this register are cleared only by the assertion of \overline{GRST} .

7.17 OHCI Control Register

The PCI OHCI control register is defined by the *1394 Open Host Controller Interface Specification* and provides a bit for big endian PCI support. See Table 7–14 for a complete description of the register contents.

Bit	31	30	29	28	27	26	25	24	23	22	21	20	19	18	17	16
Name	OHCI control															
Type	R	R	R	R	R	R	R	R	R	R	R	R	R	R	R	R
Default	0	0	0	0	0	0	0	0	0	0	0	0	0	0	0	0
Bit	15	14	13	12	11	10	9	8	7	6	5	4	3	2	1	0
Name	OHCI control															
Type	R	R	R	R	R	R	R	R	R	R	R	R	R	R	R	RW
Default	0	0	0	0	0	0	0	0	0	0	0	0	0	0	0	0

Register: **OHCI control**
 Offset: 40h
 Type: Read/Write, Read-only
 Default: 0000 0000h

Table 7–14. OHCI Control Register Description

BIT	FIELD NAME	TYPE	DESCRIPTION
31–1	RSVD	R	Reserved. Bits 31–1 return 0s when read.
0	GLOBAL_SWAP	RW	When bit 0 is set to 1, all quadlets read from and written to the PCI interface are byte-swapped (big endian).

7.18 Capability ID and Next Item Pointer Registers

The capability ID and next item pointer register identifies the linked-list capability item and provides a pointer to the next capability item. See Table 7–15 for a complete description of the register contents.

Bit	15	14	13	12	11	10	9	8	7	6	5	4	3	2	1	0
Name	Capability ID and next item pointer															
Type	R	R	R	R	R	R	R	R	R	R	R	R	R	R	R	R
Default	0	0	0	0	0	0	0	0	0	0	0	0	0	0	0	1

Register: **Capability ID and next item pointer**
 Offset: 44h
 Type: Read-only
 Default: 0001h

Table 7–15. Capability ID and Next Item Pointer Registers Description

BIT	FIELD NAME	TYPE	DESCRIPTION
15–8	NEXT_ITEM	R	Next item pointer. The PCI7510 device supports only one additional capability that is communicated to the system through the extended capabilities list; therefore, this field returns 00h when read.
7–0	CAPABILITY_ID	R	Capability identification. This field returns 01h when read, which is the unique ID assigned by the PCI SIG for PCI power-management capability.

7.19 Power Management Capabilities Register

The power management capabilities register indicates the capabilities of the PCI7510 device related to PCI power management. See Table 7–16 for a complete description of the register contents.

Bit	15	14	13	12	11	10	9	8	7	6	5	4	3	2	1	0
Name	Power management capabilities															
Type	RU	R	R	R	R	R	R	R	R	R	R	R	R	R	R	R
Default	0	1	1	1	1	1	1	0	0	0	0	0	0	0	1	0

Register: **Power management capabilities**

Offset: 46h

Type: Read/Update, Read-only

Default: 7E02h

Table 7–16. Power Management Capabilities Register Description

BIT	FIELD NAME	TYPE	DESCRIPTION
15	PME_D3COLD	RU	$\overline{\text{PME}}$ support from D3 _{cold} . This bit can be set to 1 or cleared to 0 via bit 15 (PME_D3COLD) in the PCI miscellaneous configuration register at offset F0h in the PCI configuration space (see Section 7.23). The PCI miscellaneous configuration register is loaded from ROM. When this bit is set to 1, it indicates that the PCI7510 device is capable of generating a $\overline{\text{PME}}$ wake event from D3 _{cold} . This bit state is dependent upon the PCI7510 V _{AUX} implementation and may be configured by using bit 15 (PME_D3COLD) in the PCI miscellaneous configuration register (see Section 7.23).
14–11	PME_SUPPORT	R	$\overline{\text{PME}}$ support. This 4-bit field indicates the power states from which the PCI7510 device may assert $\overline{\text{PME}}$. This field returns a value of 1111b by default, indicating that $\overline{\text{PME}}$ may be asserted from the D3 _{hot} , D2, D1, and D0 power states.
10	D2_SUPPORT	R	D2 support. Bit 10 is hardwired to 1, indicating that the PCI7510 device supports the D2 power state.
9	D1_SUPPORT	R	D1 support. Bit 9 is hardwired to 1, indicating that the PCI7510 device supports the D1 power state.
8–6	AUX_CURRENT	R	Auxiliary current. This 3-bit field reports the 3.3-V _{AUX} auxiliary current requirements. When bit 15 (PME_D3COLD) is cleared, this field returns 000b; otherwise, it returns 001b. 000b = Self-powered 001b = 55 mA (3.3-V _{AUX} maximum current required)
5	DSI	R	Device-specific initialization. This bit returns 0 when read, indicating that the PCI7510 device does not require special initialization beyond the standard PCI configuration header before a generic class driver is able to use it.
4	RSVD	R	Reserved. Bit 4 returns 0 when read.
3	PME_CLK	R	$\overline{\text{PME}}$ clock. This bit returns 0 when read, indicating that no host bus clock is required for the PCI7510 device to generate $\overline{\text{PME}}$.
2–0	PM_VERSION	R	Power-management version. This field returns 010b when read, indicating that the PCI7510 device is compatible with the registers described in the <i>PCI Bus Power Management Interface Specification</i> (Revision 1.1).

7.20 Power Management Control and Status Register

The power management control and status register implements the control and status of the PCI power-management function. This register is not affected by the internally generated reset caused by the transition from the D3_{hot} to D0 state. See Table 7–17 for a complete description of the register contents.

Bit	15	14	13	12	11	10	9	8	7	6	5	4	3	2	1	0
Name	Power management control and status															
Type	RWC	R	R	R	R	R	R	RW	R	R	R	R	R	R	RW	RW
Default	0	0	0	0	0	0	0	0	0	0	0	0	0	0	0	0

Register: **Power management control and status**
 Offset: 48h
 Type: Read/Clear, Read/Write, Read-only
 Default: 0000h

Table 7–17. Power Management Control and Status Register Description

BIT	FIELD NAME	TYPE	DESCRIPTION
15 ‡	PME_STS	RWC	Bit 15 is set to 1 when the PCI7510 device normally asserts the $\overline{\text{PME}}$ signal independent of the state of bit 8 (PME_ENB). This bit is cleared by a writeback of 1, which also clears the $\overline{\text{PME}}$ signal driven by the PCI7510 device. Writing a 0 to this bit has no effect.
14–13	DATA_SCALE	R	This field returns 0s, because the data register is not implemented.
12–9	DATA_SELECT	R	This field returns 0s, because the data register is not implemented.
8 ‡	PME_ENB	RW	When bit 8 is set to 1, $\overline{\text{PME}}$ assertion is enabled. When bit 8 is cleared, $\overline{\text{PME}}$ assertion is disabled. This bit defaults to 0 if the function does not support PME generation from D3 _{cold} . If the function supports $\overline{\text{PME}}$ from D3 _{cold} , then this bit is sticky and must be explicitly cleared by the operating system each time it is initially loaded.
7–2	RSVD	R	Reserved. Bits 7–2 return 0s when read.
1–0 ‡	PWR_STATE	RW	Power state. This 2-bit field sets the PCI7510 device power state and is encoded as follows: 00 = Current power state is D0. 01 = Current power state is D1. 10 = Current power state is D2. 11 = Current power state is D3.

‡ One or more bits in this register are cleared only by the assertion of $\overline{\text{GRST}}$.

7.21 Power Management Extension Registers

The power management extension register provides extended power-management features not applicable to the PCI7510 device; thus, it is read-only and returns 0 when read. See Table 7–18 for a complete description of the register contents.

Bit	15	14	13	12	11	10	9	8	7	6	5	4	3	2	1	0
Name	Power management extension															
Type	R	R	R	R	R	R	R	R	R	R	R	R	R	R	R	R
Default	0	0	0	0	0	0	0	0	0	0	0	0	0	0	0	0

Register: **Power management extension**
 Offset: 4Ah
 Type: Read-only
 Default: 0000h

Table 7–18. Power Management Extension Registers Description

BIT	FIELD NAME	TYPE	DESCRIPTION
15–0	RSVD	R	Reserved. Bits 15–0 return 0s when read.

7.22 PCI PHY Control Register

The PCI PHY control register provides a method for enabling the PHY CNA output. See Table 7–19 for a complete description of the register contents.

Bit	31	30	29	28	27	26	25	24	23	22	21	20	19	18	17	16
Name	PCI PHY control															
Type	R	R	R	R	R	R	R	R	R	R	R	R	R	R	R	R
Default	0	0	0	0	0	0	0	0	0	0	0	0	0	0	0	0
Bit	15	14	13	12	11	10	9	8	7	6	5	4	3	2	1	0
Name	PCI PHY control															
Type	R	R	R	R	R	R	R	R	RW	R	R	R	R	R	R	R
Default	0	0	0	0	0	0	0	0	0	0	0	0	1	0	0	0

Register: **PCI PHY control**
 Offset: ECh
 Type: Read/Write, Read-only
 Default: 0000 0008h

Table 7–19. PCI PHY Control Register

BIT	FIELD NAME	TYPE	DESCRIPTION
31–8	RSVD	R	Reserved. Bits 31–8 return 0s when read.
7 ‡	CNAOUT	RW	When bit 7 is set to 1, the PHY CNA output is routed to terminal 96. When implementing a serial EEPROM, this bit can be set by programming bit 7 of offset 16h in the EEPROM to 1. See Table 3–11, <i>EEPROM Loading Map</i> .
6–5 4 ‡	RSVD	R	Reserved. Bits 6–4 return 0s when read. These bits are affected when implementing a serial EEPROM; thus, bits 6–4 at EEPROM byte offset 16h must be programmed to 0. See Table 3–11, <i>EEPROM Loading Map</i> .
3 ‡	RSVD	R	Reserved. Bit 3 defaults to 1 to indicate compliance with IEEE Std 1394a-2000. If a serial EEPROM is implemented, then bit 3 at EEPROM byte offset 16h must be set to 1. See Table 3–11, <i>EEPROM Loading Map</i> .
2–0	RSVD	R	Reserved. Bits 2–0 return 0s when read. These bits are affected when implementing a serial EEPROM; thus, bits 2–0 at EEPROM byte offset 16h must be programmed to 0. See Table 3–11, <i>EEPROM Loading Map</i> .

‡ One or more bits in this register are cleared only by the assertion of $\overline{\text{GRST}}$.

7.23 PCI Miscellaneous Configuration Register

The PCI miscellaneous configuration register provides miscellaneous PCI-related configuration. See Table 7–20 for a complete description of the register contents.

Bit	31	30	29	28	27	26	25	24	23	22	21	20	19	18	17	16
Name	PCI miscellaneous configuration															
Type	R	R	R	R	R	R	R	R	R	R	R	R	R	R	R	R
Default	0	0	0	0	0	0	0	0	0	0	0	0	0	0	0	0
Bit	15	14	13	12	11	10	9	8	7	6	5	4	3	2	1	0
Name	PCI miscellaneous configuration															
Type	RW	R	RW	R	RW	RW	RW	RW	R	R	R	RW	RW	RW	RW	RW
Default	0	0	0	0	0	0	0	0	0	0	0	0	0	0	0	0

Register: **PCI miscellaneous configuration**
 Offset: F0h
 Type: Read/Write, Read-only
 Default: 0000 0000h

Table 7–20. PCI Miscellaneous Configuration Register

BIT	FIELD NAME	TYPE	DESCRIPTION
31–16	RSVD	R	Reserved. Bits 31–16 return 0s when read.
15 ‡	PME_D3COLD	RW	PME support from D3 _{Cold} . This bit programs bit 15 (PME_D3COLD) in the power management capabilities register at offset 46h in the PCI configuration space (see Section 7.19).
14–12	RSVD	R	Reserved. Bits 14–12 return 0s when read.
11 ‡	PCI2_3_EN	RW	PCI 2.3 Enable. When this bit is set to 1, the 1394 OHCI function conforms to the PCI 2.3 specification. When in the PCI 2.3 mode, the INT_DISABLE and INT_STATUS bits per the PCI 2.3 specification are functional. When this bit is cleared, the function conforms to the PCI 2.2 specification and all PCI 2.3 bits are disabled. 0 = PCI 2.2 mode (default) 1 = PCI 2.3 mode
10 ‡	ignore_mstrIntEna_for_pme	RW	Ignore IntMask.masterIntEnable bit for PME generation. When set, this bit causes the PME generation behavior to be changed as described in Section 3.9. When set, this bit also causes bit 26 of the OHCI vendor ID register at OHCI offset 40h (see Section 8.15) to read 1, otherwise, bit 26 reads 0. 0 = PME behavior generated from unmasked interrupt bits and IntMask.masterIntEnable bit (default) 1 = PME generation does not depend on the value of IntMask.masterIntEnable
9–8 ‡	MR_ENHANCE	RW	This field selects the read command behavior of the PCI master for read transactions of greater than two data phases. For read transactions of one or two data phases, a memory read command is used. The default of this field is 00. This register is loaded by the serial EEPROM word 12, bits 1–0. 00 = Memory read line (default) 01 = Memory read 10 = Memory read multiple 11 = Reserved, behavior reverts to default
7–6	RSVD	R	Reserved. Bits 7–6 return 0s when read.
5 ‡	RSVD	R	Reserved. Bit 5 returns 0 when read.
4 ‡	DIS_TGT_ABT	RW	Bit 4 defaults to 0, which provides OHCI-Lynx™ compatible target abort signaling. When this bit is set to 1, it enables the no-target-abort mode, in which the PCI7510 device returns indeterminate data instead of signaling target abort. The PCI7510 LLC is divided into the PCLK and SCLK domains. If software tries to access registers in the link that are not active because the SCLK is disabled, then a target abort is issued by the link. On some systems, this can cause a problem resulting in a fatal system error. Enabling this bit allows the link to respond to these types of requests by returning FFh. It is recommended that this bit be set to 1.
3 ‡	GP2IIC	RW	When bit 3 is set to 1, the GPIO3 and GPIO2 signals are internally routed to the SCL and SDA, respectively. The GPIO3 and GPIO2 terminals are also placed in the high-impedance state.
2 ‡	DISABLE_SCLKGATE	RW	When bit 2 is set to 1, the internal SCLK runs identically with the chip input. This is a test feature only and must be cleared to 0 (all applications).
1 ‡	DISABLE_PCIGATE	RW	When bit 1 is set to 1, the internal PCI clock runs identically with the chip input. This is a test feature only and must be cleared to 0 (all applications).
0 ‡	KEEP_PCLK	RW	When bit 0 is set to 1, the PCI clock is always kept <u>running</u> through the <u>CLKRUN</u> protocol. When this bit is cleared, the PCI clock can be stopped using <u>CLKRUN</u> on MFUNC6.

‡ One or more bits in this register are cleared only by the assertion of GRST.

7.24 Link Enhancement Control Register

The link enhancement control register implements TI proprietary bits that are initialized by software or by a serial EEPROM, if present. After these bits are set to 1, their functionality is enabled only if bit 22 (aPhyEnhanceEnable) in the host controller control register at OHCI offset 50h/54h (see Section 8.16) is set to 1. See Table 7–21 for a complete description of the register contents.

Bit	31	30	29	28	27	26	25	24	23	22	21	20	19	18	17	16
Name	Link enhancement control															
Type	R	R	R	R	R	R	R	R	R	R	R	R	R	R	R	R
Default	0	0	0	0	0	0	0	0	0	0	0	0	0	0	0	0
Bit	15	14	13	12	11	10	9	8	7	6	5	4	3	2	1	0
Name	Link enhancement control															
Type	RW	R	RW	RW	R	RW	R	RW	RW	R	R	R	R	R	RW	R
Default	0	0	0	1	0	0	0	0	0	0	0	0	0	0	0	0

Register: **Link enhancement control**
 Offset: F4h
 Type: Read/Write, Read-only
 Default: 0000 1000h

Table 7–21. Link Enhancement Control Register Description

BIT	FIELD NAME	TYPE	DESCRIPTION
31–16	RSVD	R	Reserved. Bits 31–16 return 0s when read.
15 ‡	dis_at_pipeline	RW	Disable AT pipelining. When bit 15 is set to 1, out-of-order AT pipelining is disabled.
14 ‡	RSVD	R	Reserved.
13–12 ‡	atx_thresh	RW	This field sets the initial AT threshold value, which is used until the AT FIFO is underrun. When the PCI7510 device retries the packet, it uses a 2K-byte threshold, resulting in a store-and-forward operation. 00 = Threshold ~ 2K bytes resulting in a store-and-forward operation 01 = Threshold ~ 1.7K bytes (default) 10 = Threshold ~ 1K bytes 11 = Threshold ~ 512 bytes These bits fine-tune the asynchronous transmit threshold. For most applications the 1.7K-byte threshold is optimal. Changing this value may increase or decrease the 1394 latency depending on the average PCI bus latency. Setting the AT threshold to 1.7K, 1K, or 512 bytes results in data being transmitted at these thresholds or when an entire packet has been checked into the FIFO. If the packet to be transmitted is larger than the AT threshold, then the remaining data must be received before the AT FIFO is emptied; otherwise, an underrun condition occurs, resulting in a packet error at the receiving node. As a result, the link then commences store-and-forward operation. Wait until it has the complete packet in the FIFO before retransmitting it on the second attempt to ensure delivery. An AT threshold of 2K results in store-and-forward operation, which means that asynchronous data will not be transmitted until an end-of-packet token is received. Restated, setting the AT threshold to 2K results in only complete packets being transmitted. Note that this device always uses store-and-forward when the asynchronous transmit retries register at OHCI offset 08h (see Section 8.3) is cleared.
11	RSVD	R	Reserved. Bit 11 returns 0 when read.
10 ‡	enab_mpeg_ts	RW	Enable MPEG CIP timestamp enhancement. When bit 9 is set to 1, the enhancement is enabled for MPEG CIP transmit streams (FMT = 20h).
9	RSVD	R	Reserved. Bit 9 returns 0 when read.
8 ‡	enab_dv_ts	RW	Enable DV CIP timestamp enhancement. When bit 8 is set to 1, the enhancement is enabled for DV CIP transmit streams (FMT = 00h).

‡ One or more bits in this register are cleared only by the assertion of $\overline{\text{GRST}}$.

Table 7–21. Link Enhancement Control Register Description (Continued)

BIT	FIELD NAME	TYPE	DESCRIPTION
7 ‡	enab_unfair	RW	Enable asynchronous priority requests. OHCI-Lynx™ compatible. Setting bit 7 to 1 enables the link to respond to requests with priority arbitration. It is recommended that this bit be set to 1.
6	RSVD	R	This bit is not assigned in the PCI7510 follow-on products, because this bit location loaded by the serial EEPROM from the enhancements field corresponds to bit 23 (programPhyEnable) in the host controller control register at OHCI offset 50h/54h (see Section 8.16).
5–3	RSVD	R	Reserved. Bits 5–3 return 0s when read.
2 ‡	RSVD	R	Reserved. Bit 2 returns 0 when read.
1 ‡	enab_accel	RW	Enable acceleration enhancements. OHCI-Lynx™ compatible. When bit 1 is set to 1, the PHY layer is notified that the link supports the IEEE Std 1394a-2000 acceleration enhancements, that is, ack-accelerated, fly-by concatenation, etc. It is recommended that this bit be set to 1.
0	RSVD	R	Reserved. Bit 0 returns 0 when read.

‡ One or more bits in this register are cleared only by the assertion of $\overline{\text{GRST}}$.

7.25 Subsystem Access Register

Write access to the subsystem access register updates the subsystem identification registers identically to OHCI-Lynx™. The system ID value written to this register may also be read back from this register. See Table 7–22 for a complete description of the register contents.

Bit	31	30	29	28	27	26	25	24	23	22	21	20	19	18	17	16
Name	Subsystem access															
Type	RW	RW	RW	RW	RW	RW	RW	RW	RW	RW	RW	RW	RW	RW	RW	RW
Default	0	0	0	0	0	0	0	0	0	0	0	0	0	0	0	0
Bit	15	14	13	12	11	10	9	8	7	6	5	4	3	2	1	0
Name	Subsystem access															
Type	RW	RW	RW	RW	RW	RW	RW	RW	RW	RW	RW	RW	RW	RW	RW	RW
Default	0	0	0	0	0	0	0	0	0	0	0	0	0	0	0	0

Register: **Subsystem access**
 Offset: F8h
 Type: Read/Write
 Default: 0000 0000h

Table 7–22. Subsystem Access Register Description

BIT	FIELD NAME	TYPE	DESCRIPTION
31–16	SUBDEV_ID	RW	Subsystem device ID alias. This field indicates the subsystem device ID.
15–0	SUBVEN_ID	RW	Subsystem vendor ID alias. This field indicates the subsystem vendor ID.

8 OHCI Registers

The OHCI registers defined by the *1394 Open Host Controller Interface Specification* are memory-mapped into a 2K-byte region of memory pointed to by the OHCI base address register at offset 10h in PCI configuration space (see Section 7.8). These registers are the primary interface for controlling the PCI7510 IEEE 1394 link function.

This section provides the register interface and bit descriptions. Several set/clear register pairs in this programming model are implemented to solve various issues with typical read-modify-write control registers. There are two addresses for a set/clear register: RegisterSet and RegisterClear. See Table 8–1 for a register listing. A 1 bit written to RegisterSet causes the corresponding bit in the set/clear register to be set to 1; a 0 bit leaves the corresponding bit unaffected. A 1 bit written to RegisterClear causes the corresponding bit in the set/clear register to be cleared; a 0 bit leaves the corresponding bit in the set/clear register unaffected.

Typically, a read from either RegisterSet or RegisterClear returns the contents of the set or clear register, respectively. However, sometimes reading the RegisterClear provides a masked version of the set or clear register. The interrupt event register is an example of this behavior.

Table 8–1. OHCI Register Map

DMA CONTEXT	REGISTER NAME	ABBREVIATION	OFFSET	
—	OHCI version	Version	00h	
	GUID ROM	GUID_ROM	04h	
	Asynchronous transmit retries	ATRetries	08h	
	CSR data	CSRData	0Ch	
	CSR compare	CSRCompareData	10h	
	CSR control	CSRControl	14h	
	Configuration ROM header	ConfigROMhdr	18h	
	Bus identification	BusID	1Ch	
	Bus options	BusOptions	20h	
	GUID high	GUIDHi	24h	
	GUID low	GUIDLo	28h	
	Reserved	—	2Ch–30h	
	Configuration ROM mapping	ConfigROMmap	34h	
	Posted write address low	PostedWriteAddressLo	38h	
	Posted write address high	PostedWriteAddressHi	3Ch	
	Vendor ID	VendorID	40h	
	Reserved	—	44h–4Ch	
	Host controller control	HCCControlSet		50h
		HCCControlClr		54h
	Reserved	—	58h–5Ch	

‡ One or more bits in this register are cleared only by the assertion of $\overline{\text{GRST}}$.

Table 8–1. OHCI Register Map (Continued)

DMA CONTEXT	REGISTER NAME	ABBREVIATION	OFFSET	
Self-ID	Reserved	—	60h	
	Self-ID buffer pointer	SelfIDBuffer	64h	
	Self-ID count	SelfIDCount	68h	
	Reserved	—	6Ch	
—	Isochronous receive channel mask high	IRChannelMaskHiSet	70h	
		IRChannelMaskHiClear	74h	
	Isochronous receive channel mask low	IRChannelMaskLoSet	78h	
		IRChannelMaskLoClear	7Ch	
	Interrupt event	IntEventSet	80h	
		IntEventClear	84h	
	Interrupt mask	IntMaskSet	88h	
		IntMaskClear	8Ch	
	Isochronous transmit interrupt event	IsoXmitIntEventSet	90h	
		IsoXmitIntEventClear	94h	
	Isochronous transmit interrupt mask	IsoXmitIntMaskSet	98h	
		IsoXmitIntMaskClear	9Ch	
	—	Isochronous receive interrupt event	IsoRecvIntEventSet	A0h
			IsoRecvIntEventClear	A4h
Isochronous receive interrupt mask		IsoRecvIntMaskSet	A8h	
		IsoRecvIntMaskClear	ACh	
Initial bandwidth available		InitialBandwidthAvailable	B0h	
Initial channels available high		InitialChannelsAvailableHi	B4h	
Initial channels available low		InitialChannelsAvailableLo	B8h	
Reserved		—	BCh–D8h	
Fairness control		FairnessControl	DCh	
Link control		LinkControlSet	E0h	
		LinkControlClear	E4h	
Node identification		NodeID	E8h	
PHY layer control		PhyControl	ECh	
Isochronous cycle timer		Isocyc timer	F0h	
Reserved		—	F4h–FCh	
Asynchronous request filter high		AsyncRequestFilterHiSet	100h	
		AsyncRequestFilterHiClear	104h	
Asynchronous request filter low		AsyncRequestFilterLoSet	108h	
		AsyncRequestFilterLoClear	10Ch	
Physical request filter high		PhysicalRequestFilterHiSet	110h	
	PhysicalRequestFilterHiClear	114h		
Physical request filter low	PhysicalRequestFilterLoSet	118h		
	PhysicalRequestFilterLoClear	11Ch		
Physical upper bound	PhysicalUpperBound	120h		
Reserved	—	124h–17Ch		

‡ One or more bits in this register are cleared only by the assertion of $\overline{\text{GRST}}$.

Table 8–1. OHCI Register Map (Continued)

DMA CONTEXT	REGISTER NAME	ABBREVIATION	OFFSET
Asynchronous Request Transmit [ATRQ]	Asynchronous context control	ContextControlSet	180h
		ContextControlClear	184h
	Reserved	—	188h
	Asynchronous context command pointer	CommandPtr	18Ch
	Reserved	—	190h–19Ch
Asynchronous Response Transmit [ATRS]	Asynchronous context control	ContextControlSet	1A0h
		ContextControlClear	1A4h
	Reserved	—	1A8h
	Asynchronous context command pointer	CommandPtr	1ACh
	Reserved	—	1B0h–1BCh
Asynchronous Request Receive [ARRQ]	Asynchronous context control	ContextControlSet	1C0h
		ContextControlClear	1C4h
	Reserved	—	1C8h
	Asynchronous context command pointer	CommandPtr	1CCh
	Reserved	—	1D0h–1DCh
Asynchronous Response Receive [ARRS]	Asynchronous context control	ContextControlSet	1E0h
		ContextControlClear	1E4h
	Reserved	—	1E8h
	Asynchronous context command pointer	CommandPtr	1ECh
	Reserved	—	1F0h–1FCh
Isochronous Transmit Context n n = 0, 1, 2, 3, ..., 7	Isochronous transmit context control	ContextControlSet	200h + 16*n
		ContextControlClear	204h + 16*n
	Reserved	—	208h + 16*n
	Isochronous transmit context command pointer	CommandPtr	20Ch + 16*n
	Reserved	—	210h–3FCh
Isochronous Receive Context n n = 0, 1, 2, 3	Isochronous receive context control	ContextControlSet	400h + 32*n
		ContextControlClear	404h + 32*n
	Reserved	—	408h + 32*n
	Isochronous receive context command pointer	CommandPtr	40Ch + 32*n
	Isochronous receive context match	ContextMatch	410h + 32*n

8.1 OHCI Version Register

The OHCI version register indicates the OHCI version support and whether or not the serial EEPROM is present. See Table 8–2 for a complete description of the register contents.

Bit	31	30	29	28	27	26	25	24	23	22	21	20	19	18	17	16
Name	OHCI version															
Type	R	R	R	R	R	R	R	R	R	R	R	R	R	R	R	R
Default	0	0	0	0	0	0	0	X	0	0	0	0	0	0	0	1
Bit	15	14	13	12	11	10	9	8	7	6	5	4	3	2	1	0
Name	OHCI version															
Type	R	R	R	R	R	R	R	R	R	R	R	R	R	R	R	R
Default	0	0	0	0	0	0	0	0	0	0	0	1	0	0	0	0

Register: **OHCI version**
 Offset: 00h
 Type: Read-only
 Default: 0X01 0010h

Table 8–2. OHCI Version Register Description

BIT	FIELD NAME	TYPE	DESCRIPTION
31–25	RSVD	R	Reserved. Bits 31–25 return 0s when read.
24	GUID_ROM	R	The PCI7510 device sets bit 24 to 1 if the serial EEPROM is detected. If the serial EEPROM is present, then the Bus_Info_Block is automatically loaded on system (hardware) reset.
23–16	version	R	Major version of the OHCI. The PCI7510 device is compliant with the <i>1394 Open Host Controller Interface Specification</i> (Release 1.1); thus, this field reads 01h.
15–8	RSVD	R	Reserved. Bits 15–8 return 0s when read.
7–0	revision	R	Minor version of the OHCI. The PCI7510 device is compliant with the <i>1394 Open Host Controller Interface Specification</i> (Release 1.1); thus, this field reads 10h.

8.2 GUID ROM Register

The GUID ROM register accesses the serial EEPROM, and is only applicable if bit 24 (GUID_ROM) in the OHCI version register at OHCI offset 00h (see Section 8.1) is set to 1. See Table 8–3 for a complete description of the register contents.

Bit	31	30	29	28	27	26	25	24	23	22	21	20	19	18	17	16
Name	GUID ROM															
Type	RSU	R	R	R	R	R	RSU	R	RU	RU	RU	RU	RU	RU	RU	RU
Default	0	0	0	0	0	0	0	0	X	X	X	X	X	X	X	X
Bit	15	14	13	12	11	10	9	8	7	6	5	4	3	2	1	0
Name	GUID ROM															
Type	R	R	R	R	R	R	R	R	R	R	R	R	R	R	R	R
Default	0	0	0	0	0	0	0	0	0	0	0	0	0	0	0	0

Register: **GUID ROM**
 Offset: 04h
 Type: Read/Set/Update, Read/Update, Read-only
 Default: 00XX 0000h

Table 8–3. GUID ROM Register Description

BIT	FIELD NAME	TYPE	DESCRIPTION
31	addrReset	RSU	Software sets bit 31 to 1 to reset the GUID ROM address to 0. When the PCI7510 device completes the reset, it clears this bit. The PCI7510 device does not automatically fill bits 23–16 (rdData field) with the 0 th byte.
30–26	RSVD	R	Reserved. Bits 30–26 return 0s when read.
25	rdStart	RSU	A read of the currently addressed byte is started when bit 25 is set to 1. This bit is automatically cleared when the PCI7510 device completes the read of the currently addressed GUID ROM byte.
24	RSVD	R	Reserved. Bit 24 returns 0 when read.
23–16	rdData	RU	This field contains the data read from the GUID ROM.
15–8	RSVD	R	Reserved. Bits 15–8 return 0s when read.
7–0	miniROM	R	The miniROM field defaults to 0 indicating that no mini-ROM is implemented. If bit 5 of EEPROM offset 6h is set to 1, then this field returns 20h indicating that valid mini-ROM data begins at offset 20h of the GUID ROM.

8.3 Asynchronous Transmit Retries Register

The asynchronous transmit retries register indicates the number of times the PCI7510 device attempts a retry for asynchronous DMA request transmit and for asynchronous physical and DMA response transmit. See Table 8–4 for a complete description of the register contents.

Bit	31	30	29	28	27	26	25	24	23	22	21	20	19	18	17	16
Name	Asynchronous transmit retries															
Type	R	R	R	R	R	R	R	R	R	R	R	R	R	R	R	R
Default	0	0	0	0	0	0	0	0	0	0	0	0	0	0	0	0
Bit	15	14	13	12	11	10	9	8	7	6	5	4	3	2	1	0
Name	Asynchronous transmit retries															
Type	R	R	R	R	RW	RW	RW	RW	RW	RW	RW	RW	RW	RW	RW	RW
Default	0	0	0	0	0	0	0	0	0	0	0	0	0	0	0	0

Register: **Asynchronous transmit retries**
 Offset: 08h
 Type: Read/Write, Read-only
 Default: 0000 0000h

Table 8–4. Asynchronous Transmit Retries Register Description

BIT	FIELD NAME	TYPE	DESCRIPTION
31–29	secondLimit	R	The second limit field returns 0s when read, because outbound dual-phase retry is not implemented.
28–16	cycleLimit	R	The cycle limit field returns 0s when read, because outbound dual-phase retry is not implemented.
15–12	RSVD	R	Reserved. Bits 15–12 return 0s when read.
11–8	maxPhysRespRetries	RW	This field tells the physical response unit how many times to attempt to retry the transmit operation for the response packet when a busy acknowledge or ack_data_error is received from the target node.
7–4	maxATRespRetries	RW	This field tells the asynchronous transmit response unit how many times to attempt to retry the transmit operation for the response packet when a busy acknowledge or ack_data_error is received from the target node.
3–0	maxATReqRetries	RW	This field tells the asynchronous transmit DMA request unit how many times to attempt to retry the transmit operation for the response packet when a busy acknowledge or ack_data_error is received from the target node.

8.4 CSR Data Register

The CSR data register accesses the bus management CSR registers from the host through compare-swap operations. This register contains the data to be stored in a CSR if the compare is successful.

Bit	31	30	29	28	27	26	25	24	23	22	21	20	19	18	17	16
Name	CSR data															
Type	R	R	R	R	R	R	R	R	R	R	R	R	R	R	R	R
Default	X	X	X	X	X	X	X	X	X	X	X	X	X	X	X	X
Bit	15	14	13	12	11	10	9	8	7	6	5	4	3	2	1	0
Name	CSR data															
Type	R	R	R	R	R	R	R	R	R	R	R	R	R	R	R	R
Default	X	X	X	X	X	X	X	X	X	X	X	X	X	X	X	X

Register: **CSR data**
 Offset: 0Ch
 Type: Read-only
 Default: XXXX XXXXh

8.5 CSR Compare Register

The CSR compare register accesses the bus management CSR registers from the host through compare-swap operations. This register contains the data to be compared with the existing value of the CSR resource.

Bit	31	30	29	28	27	26	25	24	23	22	21	20	19	18	17	16
Name	CSR compare															
Type	R	R	R	R	R	R	R	R	R	R	R	R	R	R	R	R
Default	X	X	X	X	X	X	X	X	X	X	X	X	X	X	X	X
Bit	15	14	13	12	11	10	9	8	7	6	5	4	3	2	1	0
Name	CSR compare															
Type	R	R	R	R	R	R	R	R	R	R	R	R	R	R	R	R
Default	X	X	X	X	X	X	X	X	X	X	X	X	X	X	X	X

Register: **CSR compare**
 Offset: 10h
 Type: Read-only
 Default: XXXX XXXXh

8.6 CSR Control Register

The CSR control register accesses the bus management CSR registers from the host through compare-swap operations. This register controls the compare-swap operation and selects the CSR resource. See Table 8–5 for a complete description of the register contents.

Bit	31	30	29	28	27	26	25	24	23	22	21	20	19	18	17	16
Name	CSR control															
Type	RU	R	R	R	R	R	R	R	R	R	R	R	R	R	R	R
Default	1	0	0	0	0	0	0	0	0	0	0	0	0	0	0	0
Bit	15	14	13	12	11	10	9	8	7	6	5	4	3	2	1	0
Name	CSR control															
Type	R	R	R	R	R	R	R	R	R	R	R	R	R	R	RW	RW
Default	0	0	0	0	0	0	0	0	0	0	0	0	0	0	X	X

Register: **CSR control**
 Offset: 14h
 Type: Read/Write, Read/Update, Read-only
 Default: 8000 000Xh

Table 8–5. CSR Control Register Description

BIT	FIELD NAME	TYPE	DESCRIPTION
31	csrDone	RU	Bit 31 is set to 1 by the PCI7510 device when a compare-swap operation is complete. It is cleared whenever this register is written.
30–2	RSVD	R	Reserved. Bits 30–2 return 0s when read.
1–0	csrSel	RW	This field selects the CSR resource as follows: 00 = BUS_MANAGER_ID 01 = BANDWIDTH_AVAILABLE 10 = CHANNELS_AVAILABLE_HI 11 = CHANNELS_AVAILABLE_LO

8.7 Configuration ROM Header Register

The configuration ROM header register externally maps to the first quadlet of the 1394 configuration ROM, offset FFFF F000 0400h. See Table 8–6 for a complete description of the register contents.

Bit	31	30	29	28	27	26	25	24	23	22	21	20	19	18	17	16
Name	Configuration ROM header															
Type	RW	RW	RW	RW	RW	RW	RW	RW	RW	RW	RW	RW	RW	RW	RW	RW
Default	0	0	0	0	0	0	0	0	0	0	0	0	0	0	0	0
Bit	15	14	13	12	11	10	9	8	7	6	5	4	3	2	1	0
Name	Configuration ROM header															
Type	RW	RW	RW	RW	RW	RW	RW	RW	RW	RW	RW	RW	RW	RW	RW	RW
Default	X	X	X	X	X	X	X	X	X	X	X	X	X	X	X	X

Register: **Configuration ROM header**
 Offset: 18h
 Type: Read/Write
 Default: 0000 XXXXh

Table 8–6. Configuration ROM Header Register Description

BIT	FIELD NAME	TYPE	DESCRIPTION
31–24	info_length	RW	IEEE 1394 bus-management field. Must be valid when bit 17 (linkEnable) in the host controller control register at OHCI offset 50h/54h (see Section 8.16) is set to 1.
23–16	crc_length	RW	IEEE 1394 bus-management field. Must be valid when bit 17 (linkEnable) in the host controller control register at OHCI offset 50h/54h (see Section 8.16) is set to 1.
15–0	rom_crc_value	RW	IEEE 1394 bus-management field. Must be valid at any time bit 17 (linkEnable) in the host controller control register at OHCI offset 50h/54h (see Section 8.16) is set to 1. The reset value is undefined if no serial EEPROM is present. If a serial EEPROM is present, then this field is loaded from the serial EEPROM.

8.8 Bus Identification Register

The bus identification register externally maps to the first quadlet in the Bus_Info_Block and contains the constant 3133 3934h, which is the ASCII value of 1394.

Bit	31	30	29	28	27	26	25	24	23	22	21	20	19	18	17	16
Name	Bus identification															
Type	R	R	R	R	R	R	R	R	R	R	R	R	R	R	R	R
Default	0	0	1	1	0	0	0	1	0	0	1	1	0	0	1	1
Bit	15	14	13	12	11	10	9	8	7	6	5	4	3	2	1	0
Name	Bus identification															
Type	R	R	R	R	R	R	R	R	R	R	R	R	R	R	R	R
Default	0	0	1	1	1	0	0	1	0	0	1	1	0	1	0	0

Register: **Bus identification**
 Offset: 1Ch
 Type: Read-only
 Default: 3133 3934h

8.9 Bus Options Register

The bus options register externally maps to the second quadlet of the Bus_Info_Block. See Table 8–7 for a complete description of the register contents.

Bit	31	30	29	28	27	26	25	24	23	22	21	20	19	18	17	16
Name	Bus options															
Type	RW	RW	RW	RW	RW	R	R	R	RW	RW	RW	RW	RW	RW	RW	RW
Default	X	X	X	X	0	0	0	0	X	X	X	X	X	X	X	X
Bit	15	14	13	12	11	10	9	8	7	6	5	4	3	2	1	0
Name	Bus options															
Type	RW	RW	RW	RW	R	R	R	R	RW	RW	R	R	R	R	R	R
Default	1	0	1	0	0	0	0	0	X	X	0	0	0	0	1	0

Register: **Bus options**
 Offset: 20h
 Type: Read/Write, Read-only
 Default: X0XX A0X2h

Table 8–7. Bus Options Register Description

BIT	FIELD NAME	TYPE	DESCRIPTION
31	irmc	RW	Isochronous resource-manager capable. IEEE 1394 bus-management field. Must be valid when bit 17 (linkEnable) in the host controller control register at OHCI offset 50h/54h (see Section 8.16) is set to 1.
30	cmc	RW	Cycle master capable. IEEE 1394 bus-management field. Must be valid when bit 17 (linkEnable) in the host controller control register at OHCI offset 50h/54h (see Section 8.16) is set to 1.
29	isc	RW	Isochronous support capable. IEEE 1394 bus-management field. Must be valid when bit 17 (linkEnable) in the host controller control register at OHCI offset 50h/54h (see Section 8.16) is set to 1.
28	bmc	RW	Bus manager capable. IEEE 1394 bus-management field. Must be valid when bit 17 (linkEnable) in the host controller control register at OHCI offset 50h/54h (see Section 8.16) is set to 1.
27	pmc	RW	Power-management capable. IEEE 1394 bus-management field. When bit 27 is set to 1, this indicates that the node is power-management capable. Must be valid when bit 17 (linkEnable) in the host controller control register at OHCI offset 50h/54h (see Section 8.16) is set to 1.
26–24	RSVD	R	Reserved. Bits 26–24 return 0s when read.
23–16	cyc_clk_acc	RW	Cycle master clock accuracy, in parts per million. IEEE 1394 bus-management field. Must be valid when bit 17 (linkEnable) in the host controller control register at OHCI offset 50h/54h (see Section 8.16) is set to 1.
15–12 ‡	max_rec	RW	Maximum request. IEEE 1394 bus-management field. Hardware initializes this field to indicate the maximum number of bytes in a block request packet that is supported by the implementation. This value, max_rec_bytes, must be 512 or greater, and is calculated by $2^{(\text{max_rec} + 1)}$. Software may change this field; however, this field must be valid at any time bit 17 (linkEnable) in the host controller control register at OHCI offset 50h/54h (see Section 8.16) is set to 1. A received block write request packet with a length greater than max_rec_bytes may generate an ack_type_error. This field is not affected by a software reset, and defaults to value indicating 2048 bytes on a system (hardware) reset.
11–8	RSVD	R	Reserved. Bits 11–8 return 0s when read.
7–6	g	RW	Generation counter. This field is incremented if any portion of the configuration ROM has been incremented since the prior bus reset.
5–3	RSVD	R	Reserved. Bits 5–3 return 0s when read.
2–0	Lnk_spd	R	Link speed. This field returns 010, indicating that the link speeds of 100M bits/s, 200M bits/s, and 400M bits/s are supported.

‡ One or more bits in this register are cleared only by the assertion of $\overline{\text{GRST}}$.

8.10 GUID High Register

The GUID high register represents the upper quadlet in a 64-bit global unique ID (GUID) which maps to the third quadlet in the Bus_Info_Block. This register contains node_vendor_ID and chip_ID_hi fields. This register initializes to 0s on a system (hardware) reset, which is an illegal GUID value. If a serial EEPROM is detected, then the contents of this register are loaded through the serial EEPROM interface after a $\overline{\text{PRST}}$. At that point, the contents of this register cannot be changed. If no serial EEPROM is detected, then the contents of this register are loaded by the BIOS after a $\overline{\text{PRST}}$. At that point, the contents of this register cannot be changed. All bits in this register are reset by $\overline{\text{GRST}}$ only.

Bit	31	30	29	28	27	26	25	24	23	22	21	20	19	18	17	16
Name	GUID high															
Type	R	R	R	R	R	R	R	R	R	R	R	R	R	R	R	R
Default	0	0	0	0	0	0	0	0	0	0	0	0	0	0	0	0
Bit	15	14	13	12	11	10	9	8	7	6	5	4	3	2	1	0
Name	GUID high															
Type	R	R	R	R	R	R	R	R	R	R	R	R	R	R	R	R
Default	0	0	0	0	0	0	0	0	0	0	0	0	0	0	0	0

Register: **GUID high**
 Offset: 24h
 Type: Read-only
 Default: 0000 0000h

8.11 GUID Low Register

The GUID low register represents the lower quadlet in a 64-bit global unique ID (GUID) which maps to chip_ID_lo in the Bus_Info_Block. This register initializes to 0s on a system (hardware) reset and behaves identical to the GUID high register at OHCI offset 24h (see Section 8.10). All bits in this register are reset by $\overline{\text{GRST}}$ only.

Bit	31	30	29	28	27	26	25	24	23	22	21	20	19	18	17	16
Name	GUID low															
Type	R	R	R	R	R	R	R	R	R	R	R	R	R	R	R	R
Default	0	0	0	0	0	0	0	0	0	0	0	0	0	0	0	0
Bit	15	14	13	12	11	10	9	8	7	6	5	4	3	2	1	0
Name	GUID low															
Type	R	R	R	R	R	R	R	R	R	R	R	R	R	R	R	R
Default	0	0	0	0	0	0	0	0	0	0	0	0	0	0	0	0

Register: **GUID low**
 Offset: 28h
 Type: Read-only
 Default: 0000 0000h

8.12 Configuration ROM Mapping Register

The configuration ROM mapping register contains the start address within system memory that maps to the start address of 1394 configuration ROM for this node. See Table 8–8 for a complete description of the register contents.

Bit	31	30	29	28	27	26	25	24	23	22	21	20	19	18	17	16
Name	Configuration ROM mapping															
Type	RW	RW	RW	RW	RW	RW	RW	RW	RW	RW	RW	RW	RW	RW	RW	RW
Default	0	0	0	0	0	0	0	0	0	0	0	0	0	0	0	0
Bit	15	14	13	12	11	10	9	8	7	6	5	4	3	2	1	0
Name	Configuration ROM mapping															
Type	RW	RW	RW	RW	RW	RW	R	R	R	R	R	R	R	R	R	R
Default	0	0	0	0	0	0	0	0	0	0	0	0	0	0	0	0

Register: **Configuration ROM mapping**
 Offset: 34h
 Type: Read/Write
 Default: 0000 0000h

Table 8–8. Configuration ROM Mapping Register Description

BIT	FIELD NAME	TYPE	DESCRIPTION
31–10	configROMAddr	RW	If a quadlet read request to 1394 offset FFFF F000 0400h through offset FFFF F000 07FFh is received, then the low-order 10 bits of the offset are added to this register to determine the host memory address of the read request.
9–0	RSVD	R	Reserved. Bits 9–0 return 0s when read.

8.13 Posted Write Address Low Register

The posted write address low register communicates error information if a write request is posted and an error occurs while the posted data packet is being written. See Table 8–9 for a complete description of the register contents.

Bit	31	30	29	28	27	26	25	24	23	22	21	20	19	18	17	16
Name	Posted write address low															
Type	RU	RU	RU	RU	RU	RU	RU	RU	RU	RU	RU	RU	RU	RU	RU	RU
Default	X	X	X	X	X	X	X	X	X	X	X	X	X	X	X	X
Bit	15	14	13	12	11	10	9	8	7	6	5	4	3	2	1	0
Name	Posted write address low															
Type	RU	RU	RU	RU	RU	RU	RU	RU	RU	RU	RU	RU	RU	RU	RU	RU
Default	X	X	X	X	X	X	X	X	X	X	X	X	X	X	X	X

Register: **Posted write address low**
 Offset: 38h
 Type: Read/Update
 Default: XXXX XXXXh

Table 8–9. Posted Write Address Low Register Description

BIT	FIELD NAME	TYPE	DESCRIPTION
31–0	offsetLo	RU	The lower 32 bits of the 1394 destination offset of the write request that failed.

8.14 Posted Write Address High Register

The posted write address high register communicates error information if a write request is posted and an error occurs while writing the posted data packet. See Table 8–10 for a complete description of the register contents.

Bit	31	30	29	28	27	26	25	24	23	22	21	20	19	18	17	16
Name	Posted write address high															
Type	RU	RU	RU	RU	RU	RU	RU	RU	RU	RU	RU	RU	RU	RU	RU	RU
Default	X	X	X	X	X	X	X	X	X	X	X	X	X	X	X	X
Bit	15	14	13	12	11	10	9	8	7	6	5	4	3	2	1	0
Name	Posted write address high															
Type	RU	RU	RU	RU	RU	RU	RU	RU	RU	RU	RU	RU	RU	RU	RU	RU
Default	X	X	X	X	X	X	X	X	X	X	X	X	X	X	X	X

Register: **Posted write address high**
 Offset: 3Ch
 Type: Read/Update
 Default: XXXX XXXXh

Table 8–10. Posted Write Address High Register Description

BIT	FIELD NAME	TYPE	DESCRIPTION
31–16	sourceID	RU	This field is the 10-bit bus number (bits 31–22) and 6-bit node number (bits 21–16) of the node that issued the write request that failed.
15–0	offsetHi	RU	The upper 16 bits of the 1394 destination offset of the write request that failed.

8.15 Vendor ID Register

The vendor ID register holds the company ID of an organization that specifies any vendor-unique registers. The PCI7510 device implements Texas Instruments unique behavior with regards to OHCI. Thus, this register is read-only and returns 0108 0028h when read.

Bit	31	30	29	28	27	26	25	24	23	22	21	20	19	18	17	16
Name	Vendor ID															
Type	R	R	R	R	R	R	R	R	R	R	R	R	R	R	R	R
Default	0	0	0	0	0	0	0	1	0	0	0	0	1	0	0	0
Bit	15	14	13	12	11	10	9	8	7	6	5	4	3	2	1	0
Name	Vendor ID															
Type	R	R	R	R	R	R	R	R	R	R	R	R	R	R	R	R
Default	0	0	0	0	0	0	0	0	0	0	1	0	1	0	0	0

Register: **Vendor ID**
 Offset: 40h
 Type: Read-only
 Default: 0108 0028h

8.16 Host Controller Control Register

The host controller control set/clear register pair provides flags for controlling the PCI7510 device. See Table 8–11 for a complete description of the register contents.

Bit	31	30	29	28	27	26	25	24	23	22	21	20	19	18	17	16
Name	Host controller control															
Type	RSU	RSC	RSC	R	R	R	R	R	R	RSC	R	R	RSC	RSC	RSC	RSCU
Default	0	X	0	0	0	0	0	0	1	0	0	0	0	X	0	0
Bit	15	14	13	12	11	10	9	8	7	6	5	4	3	2	1	0
Name	Host controller control															
Type	R	R	R	R	R	R	R	R	R	R	R	R	R	R	R	R
Default	0	0	0	0	0	0	0	0	0	0	0	0	0	0	0	0

Register: **Host controller control**

Offset: 50h set register

54h clear register

Type: Read/Set/Clear/Update, Read/Set/Clear, Read/Clear, Read-only

Default: X08X 0000h

Table 8–11. Host Controller Control Register Description

BIT	FIELD NAME	TYPE	DESCRIPTION
31	BiBimage Valid	RSU	When bit 31 is set to 1, the PCI7510 physical response unit is enabled to respond to block read requests to host configuration ROM and to the mechanism for atomically updating configuration ROM. Software creates a valid image of the bus_info_block in host configuration ROM before setting this bit. When this bit is cleared, the PCI7510 device returns ack_type_error on block read requests to host configuration ROM. Also, when this bit is cleared and a 1394 bus reset occurs, the configuration ROM mapping register at OHCI offset 34h (see Section 8.12), configuration ROM header register at OHCI offset 18h (see Section 8.7), and bus options register at OHCI offset 20h (see Section 8.9) are not updated. Software can set this bit only when bit 17 (linkEnable) is 0. Once bit 31 is set to 1, it can be cleared by a system (hardware) reset, a software reset, or if a fetch error occurs when the PCI7510 device loads bus_info_block registers from host memory.
30	noByteSwapData	RSC	Bit 30 controls whether physical accesses to locations outside the PCI7510 device itself, as well as any other DMA data accesses are byte swapped.
29	AckTardyEnable	RSC	Bit 29 controls the acknowledgement of ack_tardy. When bit 29 is set to 1, ack_tardy may be returned as an acknowledgment to accesses from the 1394 bus to the PCI7510 device, including accesses to the bus_info_block. The PCI7510 device returns ack_tardy to all other asynchronous packets addressed to the PCI7510 node. When the PCI7510 device sends ack_tardy, bit 27 (ack_tardy) in the interrupt event register at OHCI offset 80h/84h (see Section 8.21) is set to 1 to indicate the attempted asynchronous access. Software ensures that bit 27 (ack_tardy) in the interrupt event register is 0. Software also unmask wake-up interrupt events such as bit 19 (phy) and bit 27 (ack_tardy) in the interrupt event register before placing the PCI7510 device into the D1 power mode. Software must not set this bit if the PCI7510 node is the 1394 bus manager.
28–24	RSVD	R	Reserved. Bits 28–24 return 0s when read.
23 ‡	programPhyEnable	R	Bit 23 informs upper-level software that lower-level software has consistently configured the IEEE 1394a-2000 enhancements in the link and PHY layers. When this bit is 1, generic software such as the OHCI driver is responsible for configuring IEEE 1394a-2000 enhancements in the PHY layer and bit 22 (aPhyEnhanceEnable). When this bit is 0, the generic software may not modify the IEEE 1394a-2000 enhancements in the PHY layer and cannot interpret the setting of bit 22 (aPhyEnhanceEnable). This bit is initialized from serial EEPROM. This bit defaults to 1.

‡ One or more bits in this register are cleared only by the assertion of \overline{GRST} .

Table 8–11. Host Controller Control Register Description (Continued)

BIT	FIELD NAME	TYPE	DESCRIPTION
22	aPhyEnhanceEnable	RSC	When bits 23 (programPhyEnable) and 17 (linkEnable) are 1, the OHCI driver can set bit 22 to 1 to use all IEEE 1394a-2000 enhancements. When bit 23 (programPhyEnable) is cleared to 0, the software does not change PHY enhancements or this bit.
21–20	RSVD	R	Reserved. Bits 21 and 20 return 0s when read.
19	LPS	RSC	Bit 19 controls the link power status. Software must set this bit to 1 to permit the link-PHY communication. A 0 prevents link-PHY communication. The OHCI-link is divided into two clock domains (PCLK and PHY_SCLK). If software tries to access any register in the PHY_SCLK domain while the PHY_SCLK is disabled, then a target abort is issued by the link. This problem can be avoided by setting bit 4 (DIS_TGT_ABT) to 1 in the PCI miscellaneous configuration register at offset F0h in the PCI configuration space (see Section 7.23). This allows the link to respond to these types of request by returning all Fs (hex). OHCI registers at offsets DCh–F0h and 100h–11Ch are in the PHY_SCLK domain. After setting LPS, software must wait approximately 10 ms before attempting to access any of the OHCI registers. This gives the PHY_SCLK time to stabilize.
18	postedWriteEnable	RSC	Bit 18 enables (1) or disables (0) posted writes. Software changes this bit only when bit 17 (linkEnable) is 0.
17	linkEnable	RSC	Bit 17 is cleared to 0 by either a system (hardware) or software reset. Software must set this bit to 1 when the system is ready to begin operation and then force a bus reset. This bit is necessary to keep other nodes from sending transactions before the local system is ready. When this bit is cleared, the PCI7510 device is logically and immediately disconnected from the 1394 bus, no packets are received or processed, nor are packets transmitted.
16	SoftReset	RSCU	When bit 16 is set to 1, all PCI7510 states are reset, all FIFOs are flushed, and all OHCI registers are set to their system (hardware) reset values, unless otherwise specified. PCI registers are not affected by this bit. This bit remains set to 1 while the software reset is in progress and reverts back to 0 when the reset has completed.
15–0	RSVD	R	Reserved. Bits 15–0 return 0s when read.

8.17 Self-ID Buffer Pointer Register

The self-ID buffer pointer register points to the 2K-byte aligned base address of the buffer in host memory where the self-ID packets are stored during bus initialization. Bits 31–11 are read/write accessible. Bits 10–0 are reserved, and return 0s when read.

Bit	31	30	29	28	27	26	25	24	23	22	21	20	19	18	17	16
Name	Self-ID buffer pointer															
Type	RW	RW	RW	RW	RW	RW	RW	RW	RW	RW	RW	RW	RW	RW	RW	RW
Default	X	X	X	X	X	X	X	X	X	X	X	X	X	X	X	X
Bit	15	14	13	12	11	10	9	8	7	6	5	4	3	2	1	0
Name	Self-ID buffer pointer															
Type	RW	RW	RW	RW	RW	R	R	R	R	R	R	R	R	R	R	R
Default	X	X	X	X	X	0	0	0	0	0	0	0	0	0	0	0

Register: **Self-ID buffer pointer**
 Offset: 64h
 Type: Read/Write, Read-only
 Default: XXXX XX00h

8.18 Self-ID Count Register

The self-ID count register keeps a count of the number of times the bus self-ID process has occurred, flags self-ID packet errors, and keeps a count of the self-ID data in the self-ID buffer. See Table 8–12 for a complete description of the register contents.

Bit	31	30	29	28	27	26	25	24	23	22	21	20	19	18	17	16
Name	Self-ID count															
Type	RU	R	R	R	R	R	R	R	RU	RU	RU	RU	RU	RU	RU	RU
Default	X	0	0	0	0	0	0	0	X	X	X	X	X	X	X	X
Bit	15	14	13	12	11	10	9	8	7	6	5	4	3	2	1	0
Name	Self-ID count															
Type	R	R	R	R	R	RU	RU	RU	RU	RU	RU	RU	RU	RU	R	R
Default	0	0	0	0	0	0	0	0	0	0	0	0	0	0	0	0

Register: **Self-ID count**
 Offset: 68h
 Type: Read/Update, Read-only
 Default: X0XX 0000h

Table 8–12. Self-ID Count Register Description

BIT	FIELD NAME	TYPE	DESCRIPTION
31	selfIDError	RU	When bit 31 is set to 1, an error was detected during the most recent self-ID packet reception. The contents of the self-ID buffer are undefined. This bit is cleared after a self-ID reception in which no errors are detected. Note that an error can be a hardware error or a host bus write error.
30–24	RSVD	R	Reserved. Bits 30–24 return 0s when read.
23–16	selfIDGeneration	RU	The value in this field increments each time a bus reset is detected. This field rolls over to 0 after reaching 255.
15–11	RSVD	R	Reserved. Bits 15–11 return 0s when read.
10–2	selfIDSize	RU	This field indicates the number of quadlets that have been written into the self-ID buffer for the current bits 23–16 (selfIDGeneration field). This includes the header quadlet and the self-ID data. This field is cleared to 0s when the self-ID reception begins.
1–0	RSVD	R	Reserved. Bits 1 and 0 return 0s when read.

8.19 Isochronous Receive Channel Mask High Register

The isochronous receive channel mask high set/clear register enables packet receives from the upper 32 isochronous data channels. A read from either the set register or clear register returns the content of the isochronous receive channel mask high register. See Table 8–13 for a complete description of the register contents.

Bit	31	30	29	28	27	26	25	24	23	22	21	20	19	18	17	16
Name	Isochronous receive channel mask high															
Type	RSC	RSC	RSC	RSC	RSC	RSC	RSC	RSC	RSC	RSC	RSC	RSC	RSC	RSC	RSC	RSC
Default	X	X	X	X	X	X	X	X	X	X	X	X	X	X	X	X
Bit	15	14	13	12	11	10	9	8	7	6	5	4	3	2	1	0
Name	Isochronous receive channel mask high															
Type	RSC	RSC	RSC	RSC	RSC	RSC	RSC	RSC	RSC	RSC	RSC	RSC	RSC	RSC	RSC	RSC
Default	X	X	X	X	X	X	X	X	X	X	X	X	X	X	X	X

Register: **Isochronous receive channel mask high**
 Offset: 70h set register
 74h clear register
 Type: Read/Set/Clear
 Default: XXXX XXXXh

Table 8–13. Isochronous Receive Channel Mask High Register Description

BIT	FIELD NAME	TYPE	DESCRIPTION
31	isoChannel63	RSC	When bit 31 is set to 1, the PCI7510 device is enabled to receive from isochronous channel number 63.
30	isoChannel62	RSC	When bit 30 is set to 1, the PCI7510 device is enabled to receive from isochronous channel number 62.
29	isoChannel61	RSC	When bit 29 is set to 1, the PCI7510 device is enabled to receive from isochronous channel number 61.
28	isoChannel60	RSC	When bit 28 is set to 1, the PCI7510 device is enabled to receive from isochronous channel number 60.
27	isoChannel59	RSC	When bit 27 is set to 1, the PCI7510 device is enabled to receive from isochronous channel number 59.
26	isoChannel58	RSC	When bit 26 is set to 1, the PCI7510 device is enabled to receive from isochronous channel number 58.
25	isoChannel57	RSC	When bit 25 is set to 1, the PCI7510 device is enabled to receive from isochronous channel number 57.
24	isoChannel56	RSC	When bit 24 is set to 1, the PCI7510 device is enabled to receive from isochronous channel number 56.
23	isoChannel55	RSC	When bit 23 is set to 1, the PCI7510 device is enabled to receive from isochronous channel number 55.
22	isoChannel54	RSC	When bit 22 is set to 1, the PCI7510 device is enabled to receive from isochronous channel number 54.
21	isoChannel53	RSC	When bit 21 is set to 1, the PCI7510 device is enabled to receive from isochronous channel number 53.
20	isoChannel52	RSC	When bit 20 is set to 1, the PCI7510 device is enabled to receive from isochronous channel number 52.
19	isoChannel51	RSC	When bit 19 is set to 1, the PCI7510 device is enabled to receive from isochronous channel number 51.
18	isoChannel50	RSC	When bit 18 is set to 1, the PCI7510 device is enabled to receive from isochronous channel number 50.
17	isoChannel49	RSC	When bit 17 is set to 1, the PCI7510 device is enabled to receive from isochronous channel number 49.
16	isoChannel48	RSC	When bit 16 is set to 1, the PCI7510 device is enabled to receive from isochronous channel number 48.
15	isoChannel47	RSC	When bit 15 is set to 1, the PCI7510 device is enabled to receive from isochronous channel number 47.
14	isoChannel46	RSC	When bit 14 is set to 1, the PCI7510 device is enabled to receive from isochronous channel number 46.
13	isoChannel45	RSC	When bit 13 is set to 1, the PCI7510 device is enabled to receive from isochronous channel number 45.
12	isoChannel44	RSC	When bit 12 is set to 1, the PCI7510 device is enabled to receive from isochronous channel number 44.
11	isoChannel43	RSC	When bit 11 is set to 1, the PCI7510 device is enabled to receive from isochronous channel number 43.
10	isoChannel42	RSC	When bit 10 is set to 1, the PCI7510 device is enabled to receive from isochronous channel number 42.
9	isoChannel41	RSC	When bit 9 is set to 1, the PCI7510 device is enabled to receive from isochronous channel number 41.
8	isoChannel40	RSC	When bit 8 is set to 1, the PCI7510 device is enabled to receive from isochronous channel number 40.
7	isoChannel39	RSC	When bit 7 is set to 1, the PCI7510 device is enabled to receive from isochronous channel number 39.

Table 8–13. Isochronous Receive Channel Mask High Register Description (Continued)

BIT	FIELD NAME	TYPE	DESCRIPTION
6	isoChannel38	RSC	When bit 6 is set to 1, the PCI7510 device is enabled to receive from isochronous channel number 38.
5	isoChannel37	RSC	When bit 5 is set to 1, the PCI7510 device is enabled to receive from isochronous channel number 37.
4	isoChannel36	RSC	When bit 4 is set to 1, the PCI7510 device is enabled to receive from isochronous channel number 36.
3	isoChannel35	RSC	When bit 3 is set to 1, the PCI7510 device is enabled to receive from isochronous channel number 35.
2	isoChannel34	RSC	When bit 2 is set to 1, the PCI7510 device is enabled to receive from isochronous channel number 34.
1	isoChannel33	RSC	When bit 1 is set to 1, the PCI7510 device is enabled to receive from isochronous channel number 33.
0	isoChannel32	RSC	When bit 0 is set to 1, the PCI7510 device is enabled to receive from isochronous channel number 32.

8.20 Isochronous Receive Channel Mask Low Register

The isochronous receive channel mask low set/clear register enables packet receives from the lower 32 isochronous data channels. See Table 8–14 for a complete description of the register contents.

Bit	31	30	29	28	27	26	25	24	23	22	21	20	19	18	17	16
Name	Isochronous receive channel mask low															
Type	RSC	RSC	RSC	RSC	RSC	RSC	RSC	RSC	RSC	RSC	RSC	RSC	RSC	RSC	RSC	RSC
Default	X	X	X	X	X	X	X	X	X	X	X	X	X	X	X	X
Bit	15	14	13	12	11	10	9	8	7	6	5	4	3	2	1	0
Name	Isochronous receive channel mask low															
Type	RSC	RSC	RSC	RSC	RSC	RSC	RSC	RSC	RSC	RSC	RSC	RSC	RSC	RSC	RSC	RSC
Default	X	X	X	X	X	X	X	X	X	X	X	X	X	X	X	X

Register: **Isochronous receive channel mask low**

Offset: 78h set register

7Ch clear register

Type: Read/Set/Clear

Default: XXXX XXXXh

Table 8–14. Isochronous Receive Channel Mask Low Register Description

BIT	FIELD NAME	TYPE	DESCRIPTION
31	isoChannel31	RSC	When bit 31 is set to 1, the PCI7510 device is enabled to receive from isochronous channel number 31.
30	isoChannel30	RSC	When bit 30 is set to 1, the PCI7510 device is enabled to receive from isochronous channel number 30.
29–2	isoChanneln	RSC	Bits 29 through 2 (isoChanneln, where n = 29, 28, 27, ..., 2) follow the same pattern as bits 31 and 30.
1	isoChannel1	RSC	When bit 1 is set to 1, the PCI7510 device is enabled to receive from isochronous channel number 1.
0	isoChannel0	RSC	When bit 0 is set to 1, the PCI7510 device is enabled to receive from isochronous channel number 0.

8.21 Interrupt Event Register

The interrupt event set/clear register reflects the state of the various PCI7510 interrupt sources. The interrupt bits are set to 1 by an asserting edge of the corresponding interrupt signal or by writing a 1 in the corresponding bit in the set register. The only mechanism to clear a bit in this register is to write a 1 to the corresponding bit in the clear register.

This register is fully compliant with the *1394 Open Host Controller Interface Specification*, and the PCI7510 device adds a vendor-specific interrupt function to bit 30. When the interrupt event register is read, the return value is the bit-wise AND function of the interrupt event and interrupt mask registers. See Table 8–15 for a complete description of the register contents.

Bit	31	30	29	28	27	26	25	24	23	22	21	20	19	18	17	16
Name	Interrupt event															
Type	R	RSC	RSC	R	RSCU	RSCU	RSCU	RSCU	RSCU	RSCU	RSCU	RSCU	RSCU	RSCU	RSCU	RSCU
Default	0	X	0	0	0	X	X	X	X	X	X	X	X	0	X	X
Bit	15	14	13	12	11	10	9	8	7	6	5	4	3	2	1	0
Name	Interrupt event															
Type	RSCU	R	R	R	R	R	RSCU	RSCU	RU	RU	RSCU	RSCU	RSCU	RSCU	RSCU	RSCU
Default	0	0	0	0	0	0	X	X	X	X	X	X	X	X	X	X

Register: **Interrupt event**
 Offset: 80h set register
 84h clear register [returns the content of the interrupt event register bit-wise ANDed with the interrupt mask register when read]
 Type: Read/Set/Clear/Update, Read/Set/Clear, Read/Update, Read-only
 Default: XXXX 0XXXh

Table 8–15. Interrupt Event Register Description

BIT	FIELD NAME	TYPE	DESCRIPTION
31–30	RSVD	R	Reserved. Bits 31 and 30 return 0 when read.
29	SoftInterrupt	RSC	Bit 29 is used by software to generate a PCI7510 interrupt for its own use.
28	RSVD	R	Reserved. Bit 28 returns 0 when read.
27	ack_tardy	RSCU	Bit 27 is set to 1 when bit 29 (AckTardyEnable) in the host controller control register at OHCI offset 50h/54h (see Section 8.16) is set to 1 and any of the following conditions occur: a. Data is present in a receive FIFO that is to be delivered to the host. b. The physical response unit is busy processing requests or sending responses. c. The PCI7510 device sent an ack_tardy acknowledgment.
26	phyRegRcvd	RSCU	The PCI7510 device has received a PHY register data byte which can be read from bits 23–16 in the PHY layer control register at OHCI offset ECh (see Section 8.33).
25	cycleTooLong	RSCU	If bit 21 (cycleMaster) in the link control register at OHCI offset E0h/E4h (see Section 8.31) is set to 1, then this indicates that over 125 μ s has elapsed between the start of sending a cycle start packet and the end of a subaction gap. Bit 21 (cycleMaster) in the link control register is cleared by this event.
24	unrecoverableError	RSCU	This event occurs when the PCI7510 device encounters any error that forces it to stop operations on any or all of its subunits, for example, when a DMA context sets its dead bit to 1. While bit 24 is set to 1, all normal interrupts for the context(s) that caused this interrupt are blocked from being set to 1.
23	cycleInconsistent	RSCU	A cycle start was received that had values for the cycleSeconds and cycleCount fields that are different from the values in bits 31–25 (cycleSeconds field) and bits 24–12 (cycleCount field) in the isochronous cycle timer register at OHCI offset F0h (see Section 8.34).

Table 8–15. Interrupt Event Register Description (Continued)

BIT	FIELD NAME	TYPE	DESCRIPTION
22	cycleLost	RSCU	A lost cycle is indicated when no cycle_start packet is sent or received between two successive cycleSynch events. A lost cycle can be predicted when a cycle_start packet does not immediately follow the first subaction gap after the cycleSynch event or if an arbitration reset gap is detected after a cycleSynch event without an intervening cycle start. Bit 22 may be set to 1 either when a lost cycle occurs or when logic predicts that one will occur.
21	cycle64Seconds	RSCU	Indicates that the 7 th bit of the cycle second counter has changed.
20	cycleSynch	RSCU	Indicates that a new isochronous cycle has started. Bit 20 is set to 1 when the low-order bit of the cycle count toggles.
19	phy	RSCU	Indicates that the PHY layer requests an interrupt through a status transfer.
18	regAccessFail	RSCU	Indicates that a PCI7510 register access has failed due to a missing SCLK clock signal from the PHY layer. When a register access fails, bit 18 is set to 1 before the next register access.
17	busReset	RSCU	Indicates that the PHY layer has entered bus reset mode.
16	selfIDcomplete	RSCU	A self-ID packet stream has been received. It is generated at the end of the bus initialization process. Bit 16 is turned off simultaneously when bit 17 (busReset) is turned on.
15	selfIDcomplete2	RSCU	Secondary indication of the end of a self-ID packet stream. Bit 15 is set to 1 by the PCI7510 device when it sets bit 16 (selfIDcomplete), and retains the state, independent of bit 17 (busReset).
14–10	RSVD	R	Reserved. Bits 14–10 return 0s when read.
9	lockRespErr	RSCU	Indicates that the PCI7510 device sent a lock response for a lock request to a serial bus register, but did not receive an ack_complete.
8	postedWriteErr	RSCU	Indicates that a host bus error occurred while the PCI7510 device was trying to write a 1394 write request, which had already been given an ack_complete, into system memory.
7	isochRx	RU	Isochronous receive DMA interrupt. Indicates that one or more isochronous receive contexts have generated an interrupt. This is not a latched event; it is the logical OR of all bits in the isochronous receive interrupt event register at OHCI offset A0h/A4h (see Section 8.25) and isochronous receive interrupt mask register at OHCI offset A8h/ACh (see Section 8.26). The isochronous receive interrupt event register indicates which contexts have been interrupted.
6	isochTx	RU	Isochronous transmit DMA interrupt. Indicates that one or more isochronous transmit contexts have generated an interrupt. This is not a latched event; it is the logical OR of all bits in the isochronous transmit interrupt event register at OHCI offset 90h/94h (see Section 8.23) and isochronous transmit interrupt mask register at OHCI offset 98h/9Ch (see Section 8.24). The isochronous transmit interrupt event register indicates which contexts have been interrupted.
5	RSPkt	RSCU	Indicates that a packet was sent to an asynchronous receive response context buffer and the descriptor xferStatus and resCount fields have been updated.
4	RQPkt	RSCU	Indicates that a packet was sent to an asynchronous receive request context buffer and the descriptor xferStatus and resCount fields have been updated.
3	ARRS	RSCU	Asynchronous receive response DMA interrupt. Bit 3 is conditionally set to 1 upon completion of an ARRS DMA context command descriptor.
2	ARRQ	RSCU	Asynchronous receive request DMA interrupt. Bit 2 is conditionally set to 1 upon completion of an ARRQ DMA context command descriptor.
1	respTxComplete	RSCU	Asynchronous response transmit DMA interrupt. Bit 1 is conditionally set to 1 upon completion of an ATRS DMA command.
0	reqTxComplete	RSCU	Asynchronous request transmit DMA interrupt. Bit 0 is conditionally set to 1 upon completion of an ATRQ DMA command.

8.22 Interrupt Mask Register

The interrupt mask set/clear register enables the various PCI7510 interrupt sources. Reads from either the set register or the clear register always return the contents of the interrupt mask register. In all cases except masterIntEnable (bit 31) and vendorSpecific (bit 30), the enables for each interrupt event align with the interrupt event register bits detailed in Table 8–15.

This register is fully compliant with the *1394 Open Host Controller Interface Specification* and the PCI7510 device adds an interrupt function to bit 30. See Table 8–16 for a complete description of bits 31 and 30.

Bit	31	30	29	28	27	26	25	24	23	22	21	20	19	18	17	16
Name	Interrupt mask															
Type	RSCU	RSC	RSC	R	RSC	RSC	RSC	RSC	RSC	RSC	RSC	RSC	RSC	RSC	RSC	RSC
Default	X	X	0	0	0	X	X	X	X	X	X	X	X	0	X	X
Bit	15	14	13	12	11	10	9	8	7	6	5	4	3	2	1	0
Name	Interrupt mask															
Type	RSC	R	R	R	R	R	RSC	RSC	RSC	RSC	RSC	RSC	RSC	RSC	RSC	RSC
Default	0	0	0	0	0	0	X	X	X	X	X	X	X	X	X	X

Register: **Interrupt mask**
 Offset: 88h set register
 8Ch clear register
 Type: Read/Set/Clear/Update, Read/Set/Clear, Read/Update, Read-only
 Default: XXXX 0XXXh

Table 8–16. Interrupt Mask Register Description

BIT	FIELD NAME	TYPE	DESCRIPTION
31	masterIntEnable	RSCU	Master interrupt enable. If bit 31 is set to 1, then external interrupts are generated in accordance with the interrupt mask register. If this bit is cleared, then external interrupts are not generated regardless of the interrupt mask register settings.
30	VendorSpecific	RSC	When this bit and bit 30 (vendorSpecific) in the interrupt event register at OHCI offset 80h/84h (see Section 8.21) are set to 1, this vendor-specific interrupt mask enables interrupt generation.
29	SoftInterrupt	RSC	When this bit and bit 29 (SoftInterrupt) in the interrupt event register at OHCI offset 80h/84h (see Section 8.21) are set to 1, this soft-interrupt mask enables interrupt generation.
28	RSVD	R	Reserved. Bit 28 returns 0 when read.
27	ack_tardy	RSC	When this bit and bit 27 (ack_tardy) in the interrupt event register at OHCI offset 80h/84h (see Section 8.21) are set to 1, this acknowledge-tardy interrupt mask enables interrupt generation.
26	phyRegRcvd	RSC	When this bit and bit 26 (phyRegRcvd) in the interrupt event register at OHCI offset 80h/84h (see Section 8.21) are set to 1, this PHY-register interrupt mask enables interrupt generation.
25	cycleTooLong	RSC	When this bit and bit 25 (cycleTooLong) in the interrupt event register at OHCI offset 80h/84h (see Section 8.21) are set to 1, this cycle-too-long interrupt mask enables interrupt generation.
24	unrecoverableError	RSC	When this bit and bit 24 (unrecoverableError) in the interrupt event register at OHCI offset 80h/84h (see Section 8.21) are set to 1, this unrecoverable-error interrupt mask enables interrupt generation.
23	cycleInconsistent	RSC	When this bit and bit 23 (cycleInconsistent) in the interrupt event register at OHCI offset 80h/84h (see Section 8.21) are set to 1, this inconsistent-cycle interrupt mask enables interrupt generation.
22	cycleLost	RSC	When this bit and bit 22 (cycleLost) in the interrupt event register at OHCI offset 80h/84h (see Section 8.21) are set to 1, this lost-cycle interrupt mask enables interrupt generation.
21	cycle64Seconds	RSC	When this bit and bit 21 (cycle64Seconds) in the interrupt event register at OHCI offset 80h/84h (see Section 8.21) are set to 1, this 64-second-cycle interrupt mask enables interrupt generation.
20	cycleSynch	RSC	When this bit and bit 20 (cycleSynch) in the interrupt event register at OHCI offset 80h/84h (see Section 8.21) are set to 1, this isochronous-cycle interrupt mask enables interrupt generation.
19	phy	RSC	When this bit and bit 19 (phy) in the interrupt event register at OHCI offset 80h/84h (see Section 8.21) are set to 1, this PHY-status-transfer interrupt mask enables interrupt generation.

Table 8–16. Interrupt Mask Register Description (Continued)

BIT	FIELD NAME	TYPE	DESCRIPTION
18	regAccessFail	RSC	When this bit and bit 18 (regAccessFail) in the interrupt event register at OHCI offset 80h/84h (see Section 8.21) are set to 1, this register-access-failed interrupt mask enables interrupt generation.
17	busReset	RSC	When this bit and bit 17 (busReset) in the interrupt event register at OHCI offset 80h/84h (see Section 8.21) are set to 1, this bus-reset interrupt mask enables interrupt generation.
16	selfIDcomplete	RSC	When this bit and bit 16 (selfIDcomplete) in the interrupt event register at OHCI offset 80h/84h (see Section 8.21) are set to 1, this self-ID-complete interrupt mask enables interrupt generation.
15	selfIDcomplete2	RSC	When this bit and bit 15 (selfIDcomplete2) in the interrupt event register at OHCI offset 80h/84h (see Section 8.21) are set to 1, this second-self-ID-complete interrupt mask enables interrupt generation.
14–10	RSVD	R	Reserved. Bits 14–10 return 0s when read.
9	lockRespErr	RSC	When this bit and bit 9 (lockRespErr) in the interrupt event register at OHCI offset 80h/84h (see Section 8.21) are set to 1, this lock-response-error interrupt mask enables interrupt generation.
8	postedWriteErr	RSC	When this bit and bit 8 (postedWriteErr) in the interrupt event register at OHCI offset 80h/84h (see Section 8.21) are set to 1, this posted-write-error interrupt mask enables interrupt generation.
7	isochRx	RSC	When this bit and bit 7 (isochRx) in the interrupt event register at OHCI offset 80h/84h (see Section 8.21) are set to 1, this isochronous-receive-DMA interrupt mask enables interrupt generation.
6	isochTx	RSC	When this bit and bit 6 (isochTx) in the interrupt event register at OHCI offset 80h/84h (see Section 8.21) are set to 1, this isochronous-transmit-DMA interrupt mask enables interrupt generation.
5	RSPkt	RSC	When this bit and bit 5 (RSPkt) in the interrupt event register at OHCI offset 80h/84h (see Section 8.21) are set to 1, this receive-response-packet interrupt mask enables interrupt generation.
4	RQPkt	RSC	When this bit and bit 4 (RQPkt) in the interrupt event register at OHCI offset 80h/84h (see Section 8.21) are set to 1, this receive-request-packet interrupt mask enables interrupt generation.
3	ARRS	RSC	When this bit and bit 3 (ARRS) in the interrupt event register at OHCI offset 80h/84h (see Section 8.21) are set to 1, this asynchronous-receive-response-DMA interrupt mask enables interrupt generation.
2	ARRQ	RSC	When this bit and bit 2 (ARRQ) in the interrupt event register at OHCI offset 80h/84h (see Section 8.21) are set to 1, this asynchronous-receive-request-DMA interrupt mask enables interrupt generation.
1	respTxComplete	RSC	When this bit and bit 1 (respTxComplete) in the interrupt event register at OHCI offset 80h/84h (see Section 8.21) are set to 1, this response-transmit-complete interrupt mask enables interrupt generation.
0	reqTxComplete	RSC	When this bit and bit 0 (reqTxComplete) in the interrupt event register at OHCI offset 80h/84h (see Section 8.21) are set to 1, this request-transmit-complete interrupt mask enables interrupt generation.

8.23 Isochronous Transmit Interrupt Event Register

The isochronous transmit interrupt event set/clear register reflects the interrupt state of the isochronous transmit contexts. An interrupt is generated on behalf of an isochronous transmit context if an OUTPUT_LAST* command completes and its interrupt bits are set to 1. Upon determining that the isochTx (bit 6) interrupt has occurred in the interrupt event register at OHCI offset 80h/84h (see Section 8.21), software can check this register to determine which context(s) caused the interrupt. The interrupt bits are set to 1 by an asserting edge of the corresponding interrupt signal, or by writing a 1 in the corresponding bit in the set register. The only mechanism to clear a bit in this register is to write a 1 to the corresponding bit in the clear register. See Table 8–17 for a complete description of the register contents.

Bit	31	30	29	28	27	26	25	24	23	22	21	20	19	18	17	16
Name	Isochronous transmit interrupt event															
Type	R	R	R	R	R	R	R	R	R	R	R	R	R	R	R	R
Default	0	0	0	0	0	0	0	0	0	0	0	0	0	0	0	0
Bit	15	14	13	12	11	10	9	8	7	6	5	4	3	2	1	0
Name	Isochronous transmit interrupt event															
Type	R	R	R	R	R	R	R	R	RSC	RSC	RSC	RSC	RSC	RSC	RSC	RSC
Default	0	0	0	0	0	0	0	0	X	X	X	X	X	X	X	X

Register: **Isochronous transmit interrupt event**
 Offset: 90h set register
 94h clear register [returns the contents of the isochronous transmit interrupt event register bit-wise ANDed with the isochronous transmit interrupt mask register when read]
 Type: Read/Set/Clear, Read-only
 Default: 0000 00XXh

Table 8–17. Isochronous Transmit Interrupt Event Register Description

BIT	FIELD NAME	TYPE	DESCRIPTION
31–8	RSVD	R	Reserved. Bits 31–8 return 0s when read.
7	isoXmit7	RSC	Isochronous transmit channel 7 caused the interrupt event register bit 6 (isochTx) interrupt.
6	isoXmit6	RSC	Isochronous transmit channel 6 caused the interrupt event register bit 6 (isochTx) interrupt.
5	isoXmit5	RSC	Isochronous transmit channel 5 caused the interrupt event register bit 6 (isochTx) interrupt.
4	isoXmit4	RSC	Isochronous transmit channel 4 caused the interrupt event register bit 6 (isochTx) interrupt.
3	isoXmit3	RSC	Isochronous transmit channel 3 caused the interrupt event register bit 6 (isochTx) interrupt.
2	isoXmit2	RSC	Isochronous transmit channel 2 caused the interrupt event register bit 6 (isochTx) interrupt.
1	isoXmit1	RSC	Isochronous transmit channel 1 caused the interrupt event register bit 6 (isochTx) interrupt.
0	isoXmit0	RSC	Isochronous transmit channel 0 caused the interrupt event register bit 6 (isochTx) interrupt.

8.24 Isochronous Transmit Interrupt Mask Register

The isochronous transmit interrupt mask set/clear register enables the isochTx interrupt source on a per-channel basis. Reads from either the set register or the clear register always return the contents of the isochronous transmit interrupt mask register. In all cases the enables for each interrupt event align with the isochronous transmit interrupt event register bits detailed in Table 8–17.

Bit	31	30	29	28	27	26	25	24	23	22	21	20	19	18	17	16
Name	Isochronous transmit interrupt mask															
Type	R	R	R	R	R	R	R	R	R	R	R	R	R	R	R	R
Default	0	0	0	0	0	0	0	0	0	0	0	0	0	0	0	0
Bit	15	14	13	12	11	10	9	8	7	6	5	4	3	2	1	0
Name	Isochronous transmit interrupt mask															
Type	R	R	R	R	R	R	R	R	RSC	RSC	RSC	RSC	RSC	RSC	RSC	RSC
Default	0	0	0	0	0	0	0	0	X	X	X	X	X	X	X	X

Register: **Isochronous transmit interrupt mask**
 Offset: 98h set register
 9Ch clear register
 Type: Read/Set/Clear, Read-only
 Default: 0000 00XXh

8.25 Isochronous Receive Interrupt Event Register

The isochronous receive interrupt event set/clear register reflects the interrupt state of the isochronous receive contexts. An interrupt is generated on behalf of an isochronous receive context if an INPUT_* command completes and its interrupt bits are set to 1. Upon determining that the isochRx (bit 7) interrupt in the interrupt event register at OHCI offset 80h/84h (see Section 8.21) has occurred, software can check this register to determine which context(s) caused the interrupt. The interrupt bits are set to 1 by an asserting edge of the corresponding interrupt signal or by writing a 1 in the corresponding bit in the set register. The only mechanism to clear a bit in this register is to write a 1 to the corresponding bit in the clear register. See Table 8–18 for a complete description of the register contents.

Bit	31	30	29	28	27	26	25	24	23	22	21	20	19	18	17	16
Name	Isochronous receive interrupt event															
Type	R	R	R	R	R	R	R	R	R	R	R	R	R	R	R	R
Default	0	0	0	0	0	0	0	0	0	0	0	0	0	0	0	0
Bit	15	14	13	12	11	10	9	8	7	6	5	4	3	2	1	0
Name	Isochronous receive interrupt event															
Type	R	R	R	R	R	R	R	R	R	R	R	R	RSC	RSC	RSC	RSC
Default	0	0	0	0	0	0	0	0	0	0	0	0	X	X	X	X

Register: **Isochronous receive interrupt event**
 Offset: A0h set register
 A4h clear register [returns the contents of isochronous receive interrupt event register bit-wise ANDed with the isochronous receive mask register when read]
 Type: Read/Set/Clear, Read-only
 Default: 0000 000Xh

Table 8–18. Isochronous Receive Interrupt Event Register Description

BIT	FIELD NAME	TYPE	DESCRIPTION
31–4	RSVD	R	Reserved. Bits 31–4 return 0s when read.
3	isoRecv3	RSC	Isochronous receive channel 3 caused the interrupt event register bit 7 (isochRx) interrupt.
2	isoRecv2	RSC	Isochronous receive channel 2 caused the interrupt event register bit 7 (isochRx) interrupt.
1	isoRecv1	RSC	Isochronous receive channel 1 caused the interrupt event register bit 7 (isochRx) interrupt.
0	isoRecv0	RSC	Isochronous receive channel 0 caused the interrupt event register bit 7 (isochRx) interrupt.

8.26 Isochronous Receive Interrupt Mask Register

The isochronous receive interrupt mask set/clear register enables the isochRx interrupt source on a per-channel basis. Reads from either the set register or the clear register always return the contents of the isochronous receive interrupt mask register. In all cases the enables for each interrupt event align with the isochronous receive interrupt event register bits detailed in Table 8–18.

Bit	31	30	29	28	27	26	25	24	23	22	21	20	19	18	17	16
Name	Isochronous receive interrupt mask															
Type	R	R	R	R	R	R	R	R	R	R	R	R	R	R	R	R
Default	0	0	0	0	0	0	0	0	0	0	0	0	0	0	0	0
Bit	15	14	13	12	11	10	9	8	7	6	5	4	3	2	1	0
Name	Isochronous receive interrupt mask															
Type	R	R	R	R	R	R	R	R	R	R	R	R	RSC	RSC	RSC	RSC
Default	0	0	0	0	0	0	0	0	0	0	0	0	X	X	X	X

Register: **Isochronous receive interrupt mask**
 Offset: A8h set register
 ACh clear register
 Type: Read/Set/Clear, Read-only
 Default: 0000 000Xh

8.27 Initial Bandwidth Available Register

The initial bandwidth available register value is loaded into the corresponding bus management CSR register on a system (hardware) or software reset. See Table 8–19 for a complete description of the register contents.

Bit	31	30	29	28	27	26	25	24	23	22	21	20	19	18	17	16
Name	Initial bandwidth available															
Type	R	R	R	R	R	R	R	R	R	R	R	R	R	R	R	R
Default	0	0	0	0	0	0	0	0	0	0	0	0	0	0	0	0
Bit	15	14	13	12	11	10	9	8	7	6	5	4	3	2	1	0
Name	Initial bandwidth available															
Type	R	R	R	RW	RW	RW	RW	RW	RW	RW	RW	RW	RW	RW	RW	RW
Default	0	0	0	1	0	0	1	1	0	0	1	1	0	0	1	1

Register: **Initial bandwidth available**
 Offset: B0h
 Type: Read-only, Read/Write
 Default: 0000 1333h

Table 8–19. Initial Bandwidth Available Register Description

BIT	FIELD NAME	TYPE	DESCRIPTION
31–13	RSVD	R	Reserved. Bits 31–13 return 0s when read.
12–0	InitBWAvailable	RW	This field is reset to 1333h on a system (hardware) or software reset, and is not affected by a 1394 bus reset. The value of this field is loaded into the BANDWIDTH_AVAILABLE CSR register upon a GRST, PRST, or a 1394 bus reset.

8.28 Initial Channels Available High Register

The initial channels available high register value is loaded into the corresponding bus management CSR register on a system (hardware) or software reset. See Table 8–20 for a complete description of the register contents.

Bit	31	30	29	28	27	26	25	24	23	22	21	20	19	18	17	16
Name	Initial channels available high															
Type	RW	RW	RW	RW	RW	RW	RW	RW	RW	RW	RW	RW	RW	RW	RW	RW
Default	1	1	1	1	1	1	1	1	1	1	1	1	1	1	1	1
Bit	15	14	13	12	11	10	9	8	7	6	5	4	3	2	1	0
Name	Initial channels available high															
Type	RW	RW	RW	RW	RW	RW	RW	RW	RW	RW	RW	RW	RW	RW	RW	RW
Default	1	1	1	1	1	1	1	1	1	1	1	1	1	1	1	1

Register: **Initial channels available high**

Offset: B4h

Type: Read/Write

Default: FFFF FFFFh

Table 8–20. Initial Channels Available High Register Description

BIT	FIELD NAME	TYPE	DESCRIPTION
31–0	InitChanAvailHi	RW	This field is reset to FFFF_FFFFh on a system (hardware) or software reset, and is not affected by a 1394 bus reset. The value of this field is loaded into the CHANNELS_AVAILABLE_HI CSR register upon a GRST, PRST, or a 1394 bus reset.

8.29 Initial Channels Available Low Register

The initial channels available low register value is loaded into the corresponding bus management CSR register on a system (hardware) or software reset. See Table 8–21 for a complete description of the register contents.

Bit	31	30	29	28	27	26	25	24	23	22	21	20	19	18	17	16
Name	Initial channels available low															
Type	RW	RW	RW	RW	RW	RW	RW	RW	RW	RW	RW	RW	RW	RW	RW	RW
Default	1	1	1	1	1	1	1	1	1	1	1	1	1	1	1	1
Bit	15	14	13	12	11	10	9	8	7	6	5	4	3	2	1	0
Name	Initial channels available low															
Type	RW	RW	RW	RW	RW	RW	RW	RW	RW	RW	RW	RW	RW	RW	RW	RW
Default	1	1	1	1	1	1	1	1	1	1	1	1	1	1	1	1

Register: **Initial channels available low**

Offset: B8h

Type: Read/Write

Default: FFFF FFFFh

Table 8–21. Initial Channels Available Low Register Description

BIT	FIELD NAME	TYPE	DESCRIPTION
31–0	InitChanAvailLo	RW	This field is reset to FFFF_FFFFh on a system (hardware) or software reset, and is not affected by a 1394 bus reset. The value of this field is loaded into the CHANNELS_AVAILABLE_LO CSR register upon a GRST, PRST, or a 1394 bus reset.

8.30 Fairness Control Register

The fairness control register provides a mechanism by which software can direct the host controller to transmit multiple asynchronous requests during a fairness interval. See Table 8–22 for a complete description of the register contents.

Bit	31	30	29	28	27	26	25	24	23	22	21	20	19	18	17	16
Name	Fairness control															
Type	R	R	R	R	R	R	R	R	R	R	R	R	R	R	R	R
Default	0	0	0	0	0	0	0	0	0	0	0	0	0	0	0	0
Bit	15	14	13	12	11	10	9	8	7	6	5	4	3	2	1	0
Name	Fairness control															
Type	R	R	R	R	R	R	R	R	RW	RW	RW	RW	RW	RW	RW	RW
Default	0	0	0	0	0	0	0	0	0	0	0	0	0	0	0	0

Register: **Fairness control**
 Offset: DCh
 Type: Read-only
 Default: 0000 0000h

Table 8–22. Fairness Control Register Description

BIT	FIELD NAME	TYPE	DESCRIPTION
31–8	RSVD	R	Reserved. Bits 31–8 return 0s when read.
7–0	pri_req	RW	This field specifies the maximum number of priority arbitration requests for asynchronous request packets that the link is permitted to make of the PHY layer during a fairness interval.

8.31 Link Control Register

The link control set/clear register provides the control flags that enable and configure the link core protocol portions of the PCI7510 device. It contains controls for the receiver and cycle timer. See Table 8–23 for a complete description of the register contents.

Bit	31	30	29	28	27	26	25	24	23	22	21	20	19	18	17	16
Name	Link control															
Type	R	R	R	R	R	R	R	R	R	RSC	RSCU	RSC	R	R	R	R
Default	0	0	0	0	0	0	0	0	0	X	X	X	0	0	0	0
Bit	15	14	13	12	11	10	9	8	7	6	5	4	3	2	1	0
Name	Link control															
Type	R	R	R	R	R	RSC	RSC	R	R	RS	R	R	R	R	R	R
Default	0	0	0	0	0	X	X	0	0	0	0	0	0	0	0	0

Register: **Link control**
 Offset: E0h set register
 E4h clear register
 Type: Read/Set/Clear/Update, Read/Set/Clear, Read-only
 Default: 00X0 0X00h

Table 8–23. Link Control Register Description

BIT	FIELD NAME	TYPE	DESCRIPTION
31–23	RSVD	R	Reserved. Bits 31–23 return 0s when read.
22	cycleSource	RSC	When bit 22 is set to 1, the cycle timer uses an external source (CYCLEIN) to determine when to roll over the cycle timer. When this bit is cleared, the cycle timer rolls over when the timer reaches 3072 cycles of the 24.576-MHz clock (125 μs).
21	cycleMaster	RSCU	When bit 21 is set to 1, the PCI7510 device is root and it generates a cycle start packet every time the cycle timer rolls over, based on the setting of bit 22 (cycleSource). When bit 21 is cleared, the OHCI-Lynx™ accepts received cycle start packets to maintain synchronization with the node which is sending them. Bit 21 is automatically cleared when bit 25 (cycleTooLong) in the interrupt event register at OHCI offset 80h/84h (see Section 8.21) is set to 1. Bit 21 cannot be set to 1 until bit 25 (cycleTooLong) is cleared.
20	CycleTimerEnable	RSC	When bit 20 is set to 1, the cycle timer offset counts cycles of the 24.576-MHz clock and rolls over at the appropriate time, based on the settings of the above bits. When this bit is cleared, the cycle timer offset does not count.
19–11	RSVD	R	Reserved. Bits 19–11 return 0s when read.
10	RcvPhyPkt	RSC	When bit 10 is set to 1, the receiver accepts incoming PHY packets into the AR request context if the AR request context is enabled. This bit does not control receipt of self-identification packets.
9	RcvSelfID	RSC	When bit 9 is set to 1, the receiver accepts incoming self-identification packets. Before setting this bit to 1, software must ensure that the self-ID buffer pointer register contains a valid address.
8–7	RSVD	R	Reserved. Bits 8 and 7 return 0s when read.
6 ‡	tag1SyncFilterLock	RS	When bit 6 is set to 1, bit 6 (tag1SyncFilter) in the isochronous receive context match register (see Section 8.46) is set to 1 for all isochronous receive contexts. When bit 6 is cleared, bit 6 (tag1SyncFilter) in the isochronous receive context match register has read/write access. This bit is cleared when $\overline{\text{GRST}}$ is asserted.
5–0	RSVD	R	Reserved. Bits 5–0 return 0s when read.

‡ One or more bits in this register are cleared only by the assertion of $\overline{\text{GRST}}$.

8.32 Node Identification Register

The node identification register contains the address of the node on which the OHCI-Lynx™ chip resides, and indicates the valid node number status. The 16-bit combination of the busNumber field (bits 15–6) and the NodeNumber field (bits 5–0) is referred to as the node ID. See Table 8–24 for a complete description of the register contents.

Bit	31	30	29	28	27	26	25	24	23	22	21	20	19	18	17	16
Name	Node identification															
Type	RU	RU	R	R	RU	R	R	R	R	R	R	R	R	R	R	R
Default	0	0	0	0	0	0	0	0	0	0	0	0	0	0	0	0
Bit	15	14	13	12	11	10	9	8	7	6	5	4	3	2	1	0
Name	Node identification															
Type	RWU	RWU	RWU	RWU	RWU	RWU	RWU	RWU	RWU	RWU	RU	RU	RU	RU	RU	RU
Default	1	1	1	1	1	1	1	1	1	1	X	X	X	X	X	X

Register: **Node identification**
 Offset: E8h
 Type: Read/Write/Update, Read/Update, Read-only
 Default: 0000 FFXXh

Table 8–24. Node Identification Register Description

BIT	FIELD NAME	TYPE	DESCRIPTION
31	iDValid	RU	Bit 31 indicates whether or not the PCI7510 device has a valid node number. It is cleared when a 1394 bus reset is detected and set to 1 when the PCI7510 device receives a new node number from its PHY layer.
30	root	RU	Bit 30 is set to 1 during the bus reset process if the attached PHY layer is root.
29–28	RSVD	R	Reserved. Bits 29 and 28 return 0s when read.
27	CPS	RU	Bit 27 is set to 1 if the PHY layer is reporting that cable power status is OK.
26–16	RSVD	R	Reserved. Bits 26–16 return 0s when read.
15–6	busNumber	RWU	This field identifies the specific 1394 bus the PCI7510 device belongs to when multiple 1394-compatible buses are connected via a bridge.
5–0	NodeNumber	RU	This field is the physical node number established by the PHY layer during self-identification. It is automatically set to the value received from the PHY layer after the self-identification phase. If the PHY layer sets the nodeNumber to 63, then software must not set bit 15 (run) in the asynchronous context control register (see Section 8.40) for either of the AT DMA contexts.

8.33 PHY Layer Control Register

The PHY layer control register reads from or writes to a PHY register. See Table 8–25 for a complete description of the register contents.

Bit	31	30	29	28	27	26	25	24	23	22	21	20	19	18	17	16
Name	PHY layer control															
Type	RU	R	R	R	RU	RU	RU	RU	RU	RU	RU	RU	RU	RU	RU	RU
Default	0	0	0	0	0	0	0	0	0	0	0	0	0	0	0	0
Bit	15	14	13	12	11	10	9	8	7	6	5	4	3	2	1	0
Name	PHY layer control															
Type	RWU	RWU	R	R	RW	RW	RW	RW	RW	RW	RW	RW	RW	RW	RW	RW
Default	0	0	0	0	0	0	0	0	0	0	0	0	0	0	0	0

Register: **PHY layer control**
 Offset: ECh
 Type: Read/Write/Update, Read/Write, Read/Update, Read-only
 Default: 0000 0000h

Table 8–25. PHY Control Register Description

BIT	FIELD NAME	TYPE	DESCRIPTION
31	rdDone	RU	Bit 31 is cleared to 0 by the PCI7510 device when either bit 15 (rdReg) or bit 14 (wrReg) is set to 1. This bit is set to 1 when a register transfer is received from the PHY layer.
30–28	RSVD	R	Reserved. Bits 30–28 return 0s when read.
27–24	rdAddr	RU	This field is the address of the register most recently received from the PHY layer.
23–16	rdData	RU	This field is the contents of a PHY register that has been read.
15	rdReg	RWU	Bit 15 is set to 1 by software to initiate a read request to a PHY register, and is cleared by hardware when the request has been sent. Bits 14 (wrReg) and 15 (rdReg) must not both be set to 1 simultaneously.
14	wrReg	RWU	Bit 14 is set to 1 by software to initiate a write request to a PHY register, and is cleared by hardware when the request has been sent. Bits 14 (wrReg) and 15 (rdReg) must not both be set to 1 simultaneously.
13–12	RSVD	R	Reserved. Bits 13 and 12 return 0s when read.
11–8	regAddr	RW	This field is the address of the PHY register to be written or read.
7–0	wrData	RW	This field is the data to be written to a PHY register and is ignored for reads.

8.34 Isochronous Cycle Timer Register

The isochronous cycle timer register indicates the current cycle number and offset. When the PCI7510 device is cycle master, this register is transmitted with the cycle start message. When the PCI7510 device is not cycle master, this register is loaded with the data field in an incoming cycle start. In the event that the cycle start message is not received, the fields can continue incrementing on their own (if programmed) to maintain a local time reference. See Table 8–26 for a complete description of the register contents.

Bit	31	30	29	28	27	26	25	24	23	22	21	20	19	18	17	16
Name	Isochronous cycle timer															
Type	RWU	RWU	RWU	RWU	RWU	RWU	RWU	RWU	RWU	RWU	RWU	RWU	RWU	RWU	RWU	RWU
Default	X	X	X	X	X	X	X	X	X	X	X	X	X	X	X	X
Bit	15	14	13	12	11	10	9	8	7	6	5	4	3	2	1	0
Name	Isochronous cycle timer															
Type	RWU	RWU	RWU	RWU	RWU	RWU	RWU	RWU	RWU	RWU	RWU	RWU	RWU	RWU	RWU	RWU
Default	X	X	X	X	X	X	X	X	X	X	X	X	X	X	X	X

Register: **Isochronous cycle timer**
 Offset: F0h
 Type: Read/Write/Update
 Default: XXXX XXXXh

Table 8–26. Isochronous Cycle Timer Register Description

BIT	FIELD NAME	TYPE	DESCRIPTION
31–25	cycleSeconds	RWU	This field counts seconds [rollovers from bits 24–12 (cycleCount field)] modulo 128.
24–12	cycleCount	RWU	This field counts cycles [rollovers from bits 11–0 (cycleOffset field)] modulo 8000.
11–0	cycleOffset	RWU	This field counts 24.576-MHz clocks modulo 3072, that is, 125 μ s. If an external 8-kHz clock configuration is being used, then this field must be cleared to 0s at each tick of the external clock.

8.35 Asynchronous Request Filter High Register

The asynchronous request filter high set/clear register enables asynchronous receive requests on a per-node basis, and handles the upper node IDs. When a packet is destined for either the physical request context or the ARRQ context, the source node ID is examined. If the bit corresponding to the node ID is not set to 1 in this register, then the packet is not acknowledged and the request is not queued. The node ID comparison is done if the source node is on the same bus as the PCI7510 device. Nonlocal bus-sourced packets are not acknowledged unless bit 31 in this register is set to 1. See Table 8–27 for a complete description of the register contents.

Bit	31	30	29	28	27	26	25	24	23	22	21	20	19	18	17	16
Name	Asynchronous request filter high															
Type	RSC	RSC	RSC	RSC	RSC	RSC	RSC	RSC	RSC	RSC	RSC	RSC	RSC	RSC	RSC	RSC
Default	0	0	0	0	0	0	0	0	0	0	0	0	0	0	0	0
Bit	15	14	13	12	11	10	9	8	7	6	5	4	3	2	1	0
Name	Asynchronous request filter high															
Type	RSC	RSC	RSC	RSC	RSC	RSC	RSC	RSC	RSC	RSC	RSC	RSC	RSC	RSC	RSC	RSC
Default	0	0	0	0	0	0	0	0	0	0	0	0	0	0	0	0

Register: **Asynchronous request filter high**
 Offset: 100h set register
 104h clear register
 Type: Read/Set/Clear
 Default: 0000 0000h

Table 8–27. Asynchronous Request Filter High Register Description

BIT	FIELD NAME	TYPE	DESCRIPTION
31	asynReqAllBuses	RSC	If bit 31 is set to 1, all asynchronous requests received by the PCI7510 device from nonlocal bus nodes are accepted.
30	asynReqResource62	RSC	If bit 30 is set to 1 for local bus node number 62, asynchronous requests received by the PCI7510 device from that node are accepted.
29	asynReqResource61	RSC	If bit 29 is set to 1 for local bus node number 61, asynchronous requests received by the PCI7510 device from that node are accepted.
28	asynReqResource60	RSC	If bit 28 is set to 1 for local bus node number 60, asynchronous requests received by the PCI7510 device from that node are accepted.
27	asynReqResource59	RSC	If bit 27 is set to 1 for local bus node number 59, asynchronous requests received by the PCI7510 device from that node are accepted.
26	asynReqResource58	RSC	If bit 26 is set to 1 for local bus node number 58, asynchronous requests received by the PCI7510 device from that node are accepted.
25	asynReqResource57	RSC	If bit 25 is set to 1 for local bus node number 57, asynchronous requests received by the PCI7510 device from that node are accepted.
24	asynReqResource56	RSC	If bit 24 is set to 1 for local bus node number 56, asynchronous requests received by the PCI7510 device from that node are accepted.
23	asynReqResource55	RSC	If bit 23 is set to 1 for local bus node number 55, asynchronous requests received by the PCI7510 device from that node are accepted.
22	asynReqResource54	RSC	If bit 22 is set to 1 for local bus node number 54, asynchronous requests received by the PCI7510 device from that node are accepted.
21	asynReqResource53	RSC	If bit 21 is set to 1 for local bus node number 53, asynchronous requests received by the PCI7510 device from that node are accepted.
20	asynReqResource52	RSC	If bit 20 is set to 1 for local bus node number 52, asynchronous requests received by the PCI7510 device from that node are accepted.
19	asynReqResource51	RSC	If bit 19 is set to 1 for local bus node number 51, asynchronous requests received by the PCI7510 device from that node are accepted.

Table 8–27. Asynchronous Request Filter High Register Description (Continued)

BIT	FIELD NAME	TYPE	DESCRIPTION
18	asynReqResource50	RSC	If bit 18 is set to 1 for local bus node number 50, asynchronous requests received by the PCI7510 device from that node are accepted.
17	asynReqResource49	RSC	If bit 17 is set to 1 for local bus node number 49, asynchronous requests received by the PCI7510 device from that node are accepted.
16	asynReqResource48	RSC	If bit 16 is set to 1 for local bus node number 48, asynchronous requests received by the PCI7510 device from that node are accepted.
15	asynReqResource47	RSC	If bit 15 is set to 1 for local bus node number 47, asynchronous requests received by the PCI7510 device from that node are accepted.
14	asynReqResource46	RSC	If bit 14 is set to 1 for local bus node number 46, asynchronous requests received by the PCI7510 device from that node are accepted.
13	asynReqResource45	RSC	If bit 13 is set to 1 for local bus node number 45, asynchronous requests received by the PCI7510 device from that node are accepted.
12	asynReqResource44	RSC	If bit 12 is set to 1 for local bus node number 44, asynchronous requests received by the PCI7510 device from that node are accepted.
11	asynReqResource43	RSC	If bit 11 is set to 1 for local bus node number 43, asynchronous requests received by the PCI7510 device from that node are accepted.
10	asynReqResource42	RSC	If bit 10 is set to 1 for local bus node number 42, asynchronous requests received by the PCI7510 device from that node are accepted.
9	asynReqResource41	RSC	If bit 9 is set to 1 for local bus node number 41, asynchronous requests received by the PCI7510 device from that node are accepted.
8	asynReqResource40	RSC	If bit 8 is set to 1 for local bus node number 40, asynchronous requests received by the PCI7510 device from that node are accepted.
7	asynReqResource39	RSC	If bit 7 is set to 1 for local bus node number 39, asynchronous requests received by the PCI7510 device from that node are accepted.
6	asynReqResource38	RSC	If bit 6 is set to 1 for local bus node number 38, asynchronous requests received by the PCI7510 device from that node are accepted.
5	asynReqResource37	RSC	If bit 5 is set to 1 for local bus node number 37, asynchronous requests received by the PCI7510 device from that node are accepted.
4	asynReqResource36	RSC	If bit 4 is set to 1 for local bus node number 36, asynchronous requests received by the PCI7510 device from that node are accepted.
3	asynReqResource35	RSC	If bit 3 is set to 1 for local bus node number 35, asynchronous requests received by the PCI7510 device from that node are accepted.
2	asynReqResource34	RSC	If bit 2 is set to 1 for local bus node number 34, asynchronous requests received by the PCI7510 device from that node are accepted.
1	asynReqResource33	RSC	If bit 1 is set to 1 for local bus node number 33, asynchronous requests received by the PCI7510 device from that node are accepted.
0	asynReqResource32	RSC	If bit 0 is set to 1 for local bus node number 32, asynchronous requests received by the PCI7510 device from that node are accepted.

8.36 Asynchronous Request Filter Low Register

The asynchronous request filter low set/clear register enables asynchronous receive requests on a per-node basis, and handles the lower node IDs. Other than filtering different node IDs, this register behaves identically to the asynchronous request filter high register. See Table 8–28 for a complete description of the register contents.

Bit	31	30	29	28	27	26	25	24	23	22	21	20	19	18	17	16
Name	Asynchronous request filter low															
Type	RSC	RSC	RSC	RSC	RSC	RSC	RSC	RSC	RSC	RSC	RSC	RSC	RSC	RSC	RSC	RSC
Default	0	0	0	0	0	0	0	0	0	0	0	0	0	0	0	0
Bit	15	14	13	12	11	10	9	8	7	6	5	4	3	2	1	0
Name	Asynchronous request filter low															
Type	RSC	RSC	RSC	RSC	RSC	RSC	RSC	RSC	RSC	RSC	RSC	RSC	RSC	RSC	RSC	RSC
Default	0	0	0	0	0	0	0	0	0	0	0	0	0	0	0	0

Register: **Asynchronous request filter low**
 Offset: 108h set register
 10Ch clear register
 Type: Read/Set/Clear
 Default: 0000 0000h

Table 8–28. Asynchronous Request Filter Low Register Description

BIT	FIELD NAME	TYPE	DESCRIPTION
31	asynReqResource31	RSC	If bit 31 is set to 1 for local bus node number 31, asynchronous requests received by the PCI7510 device from that node are accepted.
30	asynReqResource30	RSC	If bit 30 is set to 1 for local bus node number 30, asynchronous requests received by the PCI7510 device from that node are accepted.
29–2	asynReqResourcen	RSC	Bits 29 through 2 (asynReqResourcen, where n = 29, 28, 27, ..., 2) follow the same pattern as bits 31 and 30.
1	asynReqResource1	RSC	If bit 1 is set to 1 for local bus node number 1, asynchronous requests received by the PCI7510 device from that node are accepted.
0	asynReqResource0	RSC	If bit 0 is set to 1 for local bus node number 0, asynchronous requests received by the PCI7510 device from that node are accepted.

8.37 Physical Request Filter High Register

The physical request filter high set/clear register enables physical receive requests on a per-node basis, and handles the upper node IDs. When a packet is destined for the physical request context, and the node ID has been compared against the ARRQ registers, then the comparison is done again with this register. If the bit corresponding to the node ID is not set to 1 in this register, then the request is handled by the ARRQ context instead of the physical request context. The node ID comparison is done if the source node is on the same bus as the PCI7510 device. Nonlocal bus-sourced packets are not acknowledged unless bit 31 in this register is set to 1. See Table 8–29 for a complete description of the register contents.

Bit	31	30	29	28	27	26	25	24	23	22	21	20	19	18	17	16
Name	Physical request filter high															
Type	RSC	RSC	RSC	RSC	RSC	RSC	RSC	RSC	RSC	RSC	RSC	RSC	RSC	RSC	RSC	RSC
Default	0	0	0	0	0	0	0	0	0	0	0	0	0	0	0	0
Bit	15	14	13	12	11	10	9	8	7	6	5	4	3	2	1	0
Name	Physical request filter high															
Type	RSC	RSC	RSC	RSC	RSC	RSC	RSC	RSC	RSC	RSC	RSC	RSC	RSC	RSC	RSC	RSC
Default	0	0	0	0	0	0	0	0	0	0	0	0	0	0	0	0

Register: **Physical request filter high**
 Offset: 110h set register
 114h clear register
 Type: Read/Set/Clear
 Default: 0000 0000h

Table 8–29. Physical Request Filter High Register Description

BIT	FIELD NAME	TYPE	DESCRIPTION
31	physReqAllBusses	RSC	If bit 31 is set to 1, all asynchronous requests received by the PCI7510 device from nonlocal bus nodes are accepted. Bit 31 is not cleared by a PRST.
30	physReqResource62	RSC	If bit 30 is set to 1 for local bus node number 62, physical requests received by the PCI7510 device from that node are handled through the physical request context.
29	physReqResource61	RSC	If bit 29 is set to 1 for local bus node number 61, physical requests received by the PCI7510 device from that node are handled through the physical request context.
28	physReqResource60	RSC	If bit 28 is set to 1 for local bus node number 60, physical requests received by the PCI7510 device from that node are handled through the physical request context.
27	physReqResource59	RSC	If bit 27 is set to 1 for local bus node number 59, physical requests received by the PCI7510 device from that node are handled through the physical request context.
26	physReqResource58	RSC	If bit 26 is set to 1 for local bus node number 58, physical requests received by the PCI7510 device from that node are handled through the physical request context.
25	physReqResource57	RSC	If bit 25 is set to 1 for local bus node number 57, physical requests received by the PCI7510 device from that node are handled through the physical request context.
24	physReqResource56	RSC	If bit 24 is set to 1 for local bus node number 56, physical requests received by the PCI7510 device from that node are handled through the physical request context.
23	physReqResource55	RSC	If bit 23 is set to 1 for local bus node number 55, physical requests received by the PCI7510 device from that node are handled through the physical request context.
22	physReqResource54	RSC	If bit 22 is set to 1 for local bus node number 54, physical requests received by the PCI7510 device from that node are handled through the physical request context.
21	physReqResource53	RSC	If bit 21 is set to 1 for local bus node number 53, physical requests received by the PCI7510 device from that node are handled through the physical request context.
20	physReqResource52	RSC	If bit 20 is set to 1 for local bus node number 52, physical requests received by the PCI7510 device from that node are handled through the physical request context.
19	physReqResource51	RSC	If bit 19 is set to 1 for local bus node number 51, physical requests received by the PCI7510 device from that node are handled through the physical request context.

Table 8–29. Physical Request Filter High Register Description (Continued)

BIT	FIELD NAME	TYPE	DESCRIPTION
18	physReqResource50	RSC	If bit 18 is set to 1 for local bus node number 50, physical requests received by the PCI7510 device from that node are handled through the physical request context.
17	physReqResource49	RSC	If bit 17 is set to 1 for local bus node number 49, physical requests received by the PCI7510 device from that node are handled through the physical request context.
16	physReqResource48	RSC	If bit 16 is set to 1 for local bus node number 48, physical requests received by the PCI7510 device from that node are handled through the physical request context.
15	physReqResource47	RSC	If bit 15 is set to 1 for local bus node number 47, physical requests received by the PCI7510 device from that node are handled through the physical request context.
14	physReqResource46	RSC	If bit 14 is set to 1 for local bus node number 46, physical requests received by the PCI7510 device from that node are handled through the physical request context.
13	physReqResource45	RSC	If bit 13 is set to 1 for local bus node number 45, physical requests received by the PCI7510 device from that node are handled through the physical request context.
12	physReqResource44	RSC	If bit 12 is set to 1 for local bus node number 44, physical requests received by the PCI7510 device from that node are handled through the physical request context.
11	physReqResource43	RSC	If bit 11 is set to 1 for local bus node number 43, physical requests received by the PCI7510 device from that node are handled through the physical request context.
10	physReqResource42	RSC	If bit 10 is set to 1 for local bus node number 42, physical requests received by the PCI7510 device from that node are handled through the physical request context.
9	physReqResource41	RSC	If bit 9 is set to 1 for local bus node number 41, physical requests received by the PCI7510 device from that node are handled through the physical request context.
8	physReqResource40	RSC	If bit 8 is set to 1 for local bus node number 40, physical requests received by the PCI7510 device from that node are handled through the physical request context.
7	physReqResource39	RSC	If bit 7 is set to 1 for local bus node number 39, physical requests received by the PCI7510 device from that node are handled through the physical request context.
6	physReqResource38	RSC	If bit 6 is set to 1 for local bus node number 38, physical requests received by the PCI7510 device from that node are handled through the physical request context.
5	physReqResource37	RSC	If bit 5 is set to 1 for local bus node number 37, physical requests received by the PCI7510 device from that node are handled through the physical request context.
4	physReqResource36	RSC	If bit 4 is set to 1 for local bus node number 36, physical requests received by the PCI7510 device from that node are handled through the physical request context.
3	physReqResource35	RSC	If bit 3 is set to 1 for local bus node number 35, physical requests received by the PCI7510 device from that node are handled through the physical request context.
2	physReqResource34	RSC	If bit 2 is set to 1 for local bus node number 34, physical requests received by the PCI7510 device from that node are handled through the physical request context.
1	physReqResource33	RSC	If bit 1 is set to 1 for local bus node number 33, physical requests received by the PCI7510 device from that node are handled through the physical request context.
0	physReqResource32	RSC	If bit 0 is set to 1 for local bus node number 32, physical requests received by the PCI7510 device from that node are handled through the physical request context.

8.38 Physical Request Filter Low Register

The physical request filter low set/clear register enables physical receive requests on a per-node basis, and handles the lower node IDs. When a packet is destined for the physical request context, and the node ID has been compared against the asynchronous request filter registers, then the node ID comparison is done again with this register. If the bit corresponding to the node ID is not set to 1 in this register, then the request is handled by the asynchronous request context instead of the physical request context. See Table 8–30 for a complete description of the register contents.

Bit	31	30	29	28	27	26	25	24	23	22	21	20	19	18	17	16
Name	Physical request filter low															
Type	RSC	RSC	RSC	RSC	RSC	RSC	RSC	RSC	RSC	RSC	RSC	RSC	RSC	RSC	RSC	RSC
Default	0	0	0	0	0	0	0	0	0	0	0	0	0	0	0	0
Bit	15	14	13	12	11	10	9	8	7	6	5	4	3	2	1	0
Name	Physical request filter low															
Type	RSC	RSC	RSC	RSC	RSC	RSC	RSC	RSC	RSC	RSC	RSC	RSC	RSC	RSC	RSC	RSC
Default	0	0	0	0	0	0	0	0	0	0	0	0	0	0	0	0

Register: **Physical request filter low**
 Offset: 118h set register
 11Ch clear register
 Type: Read/Set/Clear
 Default: 0000 0000h

Table 8–30. Physical Request Filter Low Register Description

BIT	FIELD NAME	TYPE	DESCRIPTION
31	physReqResource31	RSC	If bit 31 is set to 1 for local bus node number 31, physical requests received by the PCI7510 device from that node are handled through the physical request context.
30	physReqResource30	RSC	If bit 30 is set to 1 for local bus node number 30, physical requests received by the PCI7510 device from that node are handled through the physical request context.
29–2	physReqResourcen	RSC	Bits 29 through 2 (physReqResourcen, where n = 29, 28, 27, ..., 2) follow the same pattern as bits 31 and 30.
1	physReqResource1	RSC	If bit 1 is set to 1 for local bus node number 1, physical requests received by the PCI7510 device from that node are handled through the physical request context.
0	physReqResource0	RSC	If bit 0 is set to 1 for local bus node number 0, physical requests received by the PCI7510 device from that node are handled through the physical request context.

8.39 Physical Upper Bound Register (Optional Register)

The physical upper bound register is an optional register and is not implemented. This register returns all 0s when read.

Bit	31	30	29	28	27	26	25	24	23	22	21	20	19	18	17	16
Name	Physical upper bound															
Type	R	R	R	R	R	R	R	R	R	R	R	R	R	R	R	R
Default	0	0	0	0	0	0	0	0	0	0	0	0	0	0	0	0
Bit	15	14	13	12	11	10	9	8	7	6	5	4	3	2	1	0
Name	Physical upper bound															
Type	R	R	R	R	R	R	R	R	R	R	R	R	R	R	R	R
Default	0	0	0	0	0	0	0	0	0	0	0	0	0	0	0	0

Register: **Physical upper bound**
 Offset: 120h
 Type: Read-only
 Default: 0000 0000h

8.40 Asynchronous Context Control Register

The asynchronous context control set/clear register controls the state and indicates status of the DMA context. See Table 8–31 for a complete description of the register contents.

Bit	31	30	29	28	27	26	25	24	23	22	21	20	19	18	17	16
Name	Asynchronous context control															
Type	R	R	R	R	R	R	R	R	R	R	R	R	R	R	R	R
Default	0	0	0	0	0	0	0	0	0	0	0	0	0	0	0	0
Bit	15	14	13	12	11	10	9	8	7	6	5	4	3	2	1	0
Name	Asynchronous context control															
Type	RSCU	R	R	RSU	RU	RU	R	R	RU	RU	RU	RU	RU	RU	RU	RU
Default	0	0	0	X	0	0	0	0	X	X	X	X	X	X	X	X

Register: **Asynchronous context control**

Offset: 180h set register [ATRQ]
 184h clear register [ATRQ]
 1A0h set register [ATRS]
 1A4h clear register [ATRS]
 1C0h set register [ARRQ]
 1C4h clear register [ARRQ]
 1E0h set register [ARRS]
 1E4h clear register [ARRS]

Type: Read/Set/Clear/Update, Read/Set/Update, Read/Update, Read-only

Default: 0000 X0XXh

Table 8–31. Asynchronous Context Control Register Description

BIT	FIELD NAME	TYPE	DESCRIPTION
31–16	RSVD	R	Reserved. Bits 31–16 return 0s when read.
15	run	RSCU	Bit 15 is set to 1 by software to enable descriptor processing for the context and cleared by software to stop descriptor processing. The PCI7510 device changes this bit only on a system (hardware) or software reset.
14–13	RSVD	R	Reserved. Bits 14 and 13 return 0s when read.
12	wake	RSU	Software sets bit 12 to 1 to cause the PCI7510 device to continue or resume descriptor processing. The PCI7510 device clears this bit on every descriptor fetch.
11	dead	RU	The PCI7510 device sets bit 11 to 1 when it encounters a fatal error, and clears the bit when software clears bit 15 (run). Asynchronous contexts supporting out-of-order pipelining provide unique ContextControl.dead functionality. See Section 7.7 in the <i>1394 Open Host Controller Interface Specification</i> (Release 1.1) for more information.
10	active	RU	The PCI7510 device sets bit 10 to 1 when it is processing descriptors.
9–8	RSVD	R	Reserved. Bits 9 and 8 return 0s when read.
7–5	spd	RU	This field indicates the speed at which a packet was received or transmitted and only contains meaningful information for receive contexts. This field is encoded as: 000 = 100M bits/sec 001 = 200M bits/sec 010 = 400M bits/sec All other values are reserved.
4–0	eventcode	RU	This field holds the acknowledge sent by the link core for this packet or an internally generated error code if the packet was not transferred successfully.

8.41 Asynchronous Context Command Pointer Register

The asynchronous context command pointer register contains a pointer to the address of the first descriptor block that the PCI7510 device accesses when software enables the context by setting bit 15 (run) in the asynchronous context control register (see Section 8.40) to 1. See Table 8–32 for a complete description of the register contents.

Bit	31	30	29	28	27	26	25	24	23	22	21	20	19	18	17	16
Name	Asynchronous context command pointer															
Type	RWU	RWU	RWU	RWU	RWU	RWU	RWU	RWU	RWU	RWU	RWU	RWU	RWU	RWU	RWU	RWU
Default	X	X	X	X	X	X	X	X	X	X	X	X	X	X	X	X
Bit	15	14	13	12	11	10	9	8	7	6	5	4	3	2	1	0
Name	Asynchronous context command pointer															
Type	RWU	RWU	RWU	RWU	RWU	RWU	RWU	RWU	RWU	RWU	RWU	RWU	RWU	RWU	RWU	RWU
Default	X	X	X	X	X	X	X	X	X	X	X	X	X	X	X	X

Register: **Asynchronous context command pointer**

Offset: 18Ch [ATRQ]

1ACh [ATRS]

1CCh [ARRQ]

1ECh [ARRS]

Type: Read/Write/Update

Default: XXXX XXXXh

Table 8–32. Asynchronous Context Command Pointer Register Description

BIT	FIELD NAME	TYPE	DESCRIPTION
31–4	descriptorAddress	RWU	Contains the upper 28 bits of the address of a 16-byte aligned descriptor block.
3–0	Z	RWU	Indicates the number of contiguous descriptors at the address pointed to by the descriptor address. If Z is 0, then it indicates that the descriptorAddress field (bits 31–4) is not valid.

8.42 Isochronous Transmit Context Control Register

The isochronous transmit context control set/clear register controls options, state, and status for the isochronous transmit DMA contexts. The n value in the following register addresses indicates the context number (n = 0, 1, 2, 3, ..., 7). See Table 8–33 for a complete description of the register contents.

Bit	31	30	29	28	27	26	25	24	23	22	21	20	19	18	17	16
Name	Isochronous transmit context control															
Type	RSCU	RSC	RSC	RSC	RSC	RSC	RSC	RSC	RSC	RSC	RSC	RSC	RSC	RSC	RSC	RSC
Default	X	X	X	X	X	X	X	X	X	X	X	X	X	X	X	X
Bit	15	14	13	12	11	10	9	8	7	6	5	4	3	2	1	0
Name	Isochronous transmit context control															
Type	RSC	R	R	RSU	RU	RU	R	R	RU	RU	RU	RU	RU	RU	RU	RU
Default	0	0	0	X	0	0	0	0	X	X	X	X	X	X	X	X

Register: **Isochronous transmit context control**

Offset: 200h + (16 * n) set register
 204h + (16 * n) clear register

Type: Read/Set/Clear/Update, Read/Set/Clear, Read/Set/Update, Read/Update, Read-only

Default: XXXX X0XXh

Table 8–33. Isochronous Transmit Context Control Register Description

BIT	FIELD NAME	TYPE	DESCRIPTION
31	cycleMatchEnable	RSCU	When bit 31 is set to 1, processing occurs such that the packet described by the context first descriptor block is transmitted in the cycle whose number is specified in the cycleMatch field (bits 30–16). The cycleMatch field (bits 30–16) must match the low-order two bits of cycleSeconds and the 13-bit cycleCount field in the cycle start packet that is sent or received immediately before isochronous transmission begins. Since the isochronous transmit DMA controller may work ahead, the processing of the first descriptor block may begin slightly in advance of the actual cycle in which the first packet is transmitted. The effects of this bit, however, are impacted by the values of other bits in this register and are explained in the <i>1394 Open Host Controller Interface Specification</i> . Once the context has become active, hardware clears this bit.
30–16	cycleMatch	RSC	This field contains a 15-bit value, corresponding to the low-order two bits of the isochronous cycle timer register at OHCI offset F0h (see Section 8.34) cycleSeconds field (bits 31–25) and the cycleCount field (bits 24–12). If bit 31 (cycleMatchEnable) is set to 1, then this isochronous transmit DMA context becomes enabled for transmits when the low-order two bits of the isochronous cycle timer register at OHCI offset F0h cycleSeconds field (bits 31–25) and the cycleCount field (bits 24–12) value equal this field (cycleMatch) value.
15	run	RSC	Bit 15 is set to 1 by software to enable descriptor processing for the context and cleared by software to stop descriptor processing. The PCI7510 device changes this bit only on a system (hardware) or software reset.
14–13	RSVD	R	Reserved. Bits 14 and 13 return 0s when read.
12	wake	RSU	Software sets bit 12 to 1 to cause the PCI7510 device to continue or resume descriptor processing. The PCI7510 device clears this bit on every descriptor fetch.
11	dead	RU	The PCI7510 device sets bit 11 to 1 when it encounters a fatal error, and clears the bit when software clears bit 15 (run) to 0.
10	active	RU	The PCI7510 device sets bit 10 to 1 when it is processing descriptors.
9–8	RSVD	R	Reserved. Bits 9 and 8 return 0s when read.
7–5	spd	RU	This field is not meaningful for isochronous transmit contexts.
4–0	event code	RU	Following an OUTPUT_LAST* command, the error code is indicated in this field. Possible values are: ack_complete, evt_descriptor_read, evt_data_read, and evt_unknown.

[†] On an overflow for each running context, the isochronous transmit DMA supports up to 7 cycle skips, when the following are true:

1. Bit 11 (dead) in either the isochronous transmit or receive context control register is set to 1.
2. Bits 4–0 (eventcode field) in either the isochronous transmit or receive context control register is set to evt_timeout.
3. Bit 24 (unrecoverableError) in the interrupt event register at OHCI offset 80h/84h (see Section 8.21) is set to 1.

8.43 Isochronous Transmit Context Command Pointer Register

The isochronous transmit context command pointer register contains a pointer to the address of the first descriptor block that the PCI7510 device accesses when software enables an isochronous transmit context by setting bit 15 (run) in the isochronous transmit context control register (see Section 8.42) to 1. The isochronous transmit DMA context command pointer can be read when a context is active. The n value in the following register addresses indicates the context number (n = 0, 1, 2, 3, ..., 7).

Bit	31	30	29	28	27	26	25	24	23	22	21	20	19	18	17	16
Name	Isochronous transmit context command pointer															
Type	R	R	R	R	R	R	R	R	R	R	R	R	R	R	R	R
Default	X	X	X	X	X	X	X	X	X	X	X	X	X	X	X	X
Bit	15	14	13	12	11	10	9	8	7	6	5	4	3	2	1	0
Name	Isochronous transmit context command pointer															
Type	R	R	R	R	R	R	R	R	R	R	R	R	R	R	R	R
Default	X	X	X	X	X	X	X	X	X	X	X	X	X	X	X	X

Register: **Isochronous transmit context command pointer**
 Offset: 20Ch + (16 * n)
 Type: Read-only
 Default: XXXX XXXXh

8.44 Isochronous Receive Context Control Register

The isochronous receive context control set/clear register controls options, state, and status for the isochronous receive DMA contexts. The n value in the following register addresses indicates the context number (n = 0, 1, 2, 3). See Table 8–34 for a complete description of the register contents.

Bit	31	30	29	28	27	26	25	24	23	22	21	20	19	18	17	16
Name	Isochronous receive context control															
Type	RSC	RSC	RSCU	RSC	RSC	R	R	R	R	R	R	R	R	R	R	R
Default	X	X	X	X	X	0	0	0	0	0	0	0	0	0	0	0
Bit	15	14	13	12	11	10	9	8	7	6	5	4	3	2	1	0
Name	Isochronous receive context control															
Type	RSCU	R	R	RSU	RU	RU	R	R	RU	RU	RU	RU	RU	RU	RU	RU
Default	0	0	0	X	0	0	0	0	X	X	X	X	X	X	X	X

Register: **Isochronous receive context control**
 Offset: 400h + (32 * n) set register
 404h + (32 * n) clear register
 Type: Read/Set/Clear/Update, Read/Set/Clear, Read/Set/Update, Read/Update, Read-only
 Default: XX00 X0XXh

Table 8–34. Isochronous Receive Context Control Register Description

BIT	FIELD NAME	TYPE	DESCRIPTION
31	bufferFill	RSC	When bit 31 is set to 1, received packets are placed back-to-back to completely fill each receive buffer. When this bit is cleared, each received packet is placed in a single buffer. If bit 28 (multiChanMode) is set to 1, then this bit must also be set to 1. The value of this bit must not be changed while bit 10 (active) or bit 15 (run) is set to 1.
30	isochHeader	RSC	When bit 30 is set to 1, received isochronous packets include the complete 4-byte isochronous packet header seen by the link layer. The end of the packet is marked with a xferStatus in the first doublet, and a 16-bit timeStamp indicating the time of the most recently received (or sent) cycleStart packet. When this bit is cleared, the packet header is stripped from received isochronous packets. The packet header, if received, immediately precedes the packet payload. The value of this bit must not be changed while bit 10 (active) or bit 15 (run) is set to 1.

Table 8–34. Isochronous Receive Context Control Register Description (Continued)

BIT	FIELD NAME	TYPE	DESCRIPTION
29	cycleMatchEnable	RSCU	When bit 29 is set to 1 and the 13-bit cycleMatch field (bits 24–12) in the isochronous receive context match register (See Section 8.46) matches the 13-bit cycleCount field in the cycleStart packet, the context begins running. The effects of this bit, however, are impacted by the values of other bits in this register. Once the context has become active, hardware clears this bit. The value of this bit must not be changed while bit 10 (active) or bit 15 (run) is set to 1.
28	multiChanMode	RSC	When bit 28 is set to 1, the corresponding isochronous receive DMA context receives packets for all isochronous channels enabled in the isochronous receive channel mask high register at OHCI offset 70h/74h (see Section 8.19) and isochronous receive channel mask low register at OHCI offset 78h/7Ch (see Section 8.20). The isochronous channel number specified in the isochronous receive context match register (see Section 8.46) is ignored. When this bit is cleared, the isochronous receive DMA context receives packets for the single channel specified in the isochronous receive context match register (see Section 8.46). Only one isochronous receive DMA context may use the isochronous receive channel mask registers (see Sections 8.19, and 8.20). If more than one isochronous receive context control register has this bit set, then the results are undefined. The value of this bit must not be changed while bit 10 (active) or bit 15 (run) is set to 1.
27	dualBufferMode	RSC	When bit 27 is set to 1, receive packets are separated into first and second payload and streamed independently to the firstBuffer series and secondBuffer series as described in Section 10.2.3 in the <i>1394 Open Host Controller Interface Specification</i> . Also, when bit 27 is set to 1, both bits 28 (multiChanMode) and 31 (bufferFill) are cleared to 0. The value of this bit does not change when either bit 10 (active) or bit 15 (run) is set to 1.
26–16	RSVD	R	Reserved. Bits 26–16 return 0s when read.
15	run	RSCU	Bit 15 is set to 1 by software to enable descriptor processing for the context and cleared by software to stop descriptor processing. The PCI7510 device changes this bit only on a system (hardware) or software reset.
14–13	RSVD	R	Reserved. Bits 14 and 13 return 0s when read.
12	wake	RSU	Software sets bit 12 to 1 to cause the PCI7510 device to continue or resume descriptor processing. The PCI7510 device clears this bit on every descriptor fetch.
11	dead	RU	The PCI7510 device sets bit 11 to 1 when it encounters a fatal error, and clears the bit when software clears bit 15 (run).
10	active	RU	The PCI7510 device sets bit 10 to 1 when it is processing descriptors.
9–8	RSVD	R	Reserved. Bits 9 and 8 return 0s when read.
7–5	spd	RU	This field indicates the speed at which the packet was received. 000 = 100M bits/sec 001 = 200M bits/sec 010 = 400M bits/sec All other values are reserved.
4–0	event code	RU	For bufferFill mode, possible values are: ack_complete, evt_descriptor_read, evt_data_write, and evt_unknown. Packets with data errors (either dataLength mismatches or dataCRC errors) and packets for which a FIFO overrun occurred are backed out. For packet-per-buffer mode, possible values are: ack_complete, ack_data_error, evt_long_packet, evt_overrun, evt_descriptor_read, evt_data_write, and evt_unknown.

8.45 Isochronous Receive Context Command Pointer Register

The isochronous receive context command pointer register contains a pointer to the address of the first descriptor block that the PCI7510 device accesses when software enables an isochronous receive context by setting bit 15 (run) in the isochronous receive context control register (see Section 8.44) to 1. The n value in the following register addresses indicates the context number (n = 0, 1, 2, 3).

Bit	31	30	29	28	27	26	25	24	23	22	21	20	19	18	17	16
Name	Isochronous receive context command pointer															
Type	R	R	R	R	R	R	R	R	R	R	R	R	R	R	R	R
Default	X	X	X	X	X	X	X	X	X	X	X	X	X	X	X	X
Bit	15	14	13	12	11	10	9	8	7	6	5	4	3	2	1	0
Name	Isochronous receive context command pointer															
Type	R	R	R	R	R	R	R	R	R	R	R	R	R	R	R	R
Default	X	X	X	X	X	X	X	X	X	X	X	X	X	X	X	X

Register: **Isochronous receive context command pointer**
 Offset: 40Ch + (32 * n)
 Type: Read-only
 Default: XXXX XXXXh

8.46 Isochronous Receive Context Match Register

The isochronous receive context match register starts an isochronous receive context running on a specified cycle number, filters incoming isochronous packets based on tag values, and waits for packets with a specified sync value. The n value in the following register addresses indicates the context number (n = 0, 1, 2, 3). See Table 8–35 for a complete description of the register contents.

Bit	31	30	29	28	27	26	25	24	23	22	21	20	19	18	17	16
Name	Isochronous receive context match															
Type	RW	RW	RW	RW	R	RW	RW	RW	RW	RW	RW	RW	RW	RW	RW	RW
Default	X	X	X	X	0	0	0	X	X	X	X	X	X	X	X	X
Bit	15	14	13	12	11	10	9	8	7	6	5	4	3	2	1	0
Name	Isochronous receive context match															
Type	RW	RW	RW	RW	RW	RW	RW	RW	R	RW	RW	RW	RW	RW	RW	RW
Default	X	X	X	X	X	X	X	X	0	X	X	X	X	X	X	X

Register: **Isochronous receive context match**
 Offset: 410Ch + (32 * n)
 Type: Read/Write, Read-only
 Default: XXXX XXXXh

Table 8–35. Isochronous Receive Context Match Register Description

BIT	FIELD NAME	TYPE	DESCRIPTION
31	tag3	RW	If bit 31 is set to 1, this context matches on isochronous receive packets with a tag field of 11b.
30	tag2	RW	If bit 30 is set to 1, this context matches on isochronous receive packets with a tag field of 10b.
29	tag1	RW	If bit 29 is set to 1, this context matches on isochronous receive packets with a tag field of 01b.
28	tag0	RW	If bit 28 is set to 1, this context matches on isochronous receive packets with a tag field of 00b.
27	RSVD	R	Reserved. Bit 27 returns 0 when read.
26–12	cycleMatch	RW	This field contains a 15-bit value corresponding to the two low-order bits of cycleSeconds and the 13-bit cycleCount field in the cycleStart packet. If cycleMatchEnable (bit 29) in the isochronous receive context control register (see Section 8.44) is set to 1, then this context is enabled for receives when the two low-order bits of the isochronous cycle timer register at OHCI offset F0h (see Section 8.34) cycleSeconds field (bits 31–25) and cycleCount field (bits 24–12) value equal this field (cycleMatch) value.
11–8	sync	RW	This 4-bit field is compared to the sync field of each isochronous packet for this channel when the command descriptor w field is set to 11b.
7	RSVD	R	Reserved. Bit 7 returns 0 when read.
6	tag1SyncFilter	RW	If bit 6 and bit 29 (tag1) are set to 1, then packets with tag 01b are accepted into the context if the two most significant bits of the packet sync field are 00b. Packets with tag values other than 01b are filtered according to bit 28 (tag0), bit 30 (tag2), and bit 31 (tag3) without any additional restrictions. If this bit is cleared, then this context matches on isochronous receive packets as specified in bits 28–31 (tag0–tag3) with no additional restrictions.
5–0	channelNumber	RW	This 6-bit field indicates the isochronous channel number for which this isochronous receive DMA context accepts packets.

9 TI Extension Registers

The TI extension base address register provides a method of accessing memory-mapped TI extension registers. See Section 7.9, *TI Extension Base Address Register*, for register bit field details. See Table 9–1 for the TI extension register listing.

Table 9–1. TI Extension Register Map

REGISTER NAME	OFFSET
Reserved	00h–A7Fh
Isochronous Receive DV Enhancement Set	A80h
Isochronous Receive DV Enhancement Clear	A84h
Link Enhancement Control Set	A88h
Link Enhancement Control Clear	A8Ch
Isochronous Transmit Context 0 Timestamp Offset	A90h
Isochronous Transmit Context 1 Timestamp Offset	A94h
Isochronous Transmit Context 2 Timestamp Offset	A98h
Isochronous Transmit Context 3 Timestamp Offset	A9Ch
Isochronous Transmit Context 4 Timestamp Offset	AA0h
Isochronous Transmit Context 5 Timestamp Offset	AA4h
Isochronous Transmit Context 6 Timestamp Offset	AA8h
Isochronous Transmit Context 7 Timestamp Offset	AA8h

9.1 DV and MPEG2 Timestamp Enhancements

The DV timestamp enhancements are enabled by bit 8 (`enab_dv_ts`) in the link enhancement control register located at PCI offset F4h and are aliased in TI extension register space at offset A88h (set) and A8Ch (clear).

The DV and MPEG transmit enhancements are enabled separately by bits in the link enhancement control register located in PCI configuration space at PCI offset F4h. The link enhancement control register is also aliased as a set/clear register in TI extension space at offset A88h (set) and A8Ch (clear).

Bit 8 (`enab_dv_ts`) of the link enhancement control register enables DV timestamp support. When enabled, the link calculates a timestamp based on the cycle timer and the timestamp offset register and substitutes it in the SYT field of the CIP once per DV frame.

Bit 10 (`enab_mpeg_ts`) of the link enhancement control register enables MPEG timestamp support. Two MPEG time stamp modes are supported. The default mode calculates an initial delta that is added to the calculated timestamp in addition to a user-defined offset. The initial offset is calculated as the difference in the intended transmit cycle count and the cycle count field of the timestamp in the first TSP of the MPEG2 stream. The use of the initial delta can be controlled by bit 31 (`DisableInitialOffset`) in the timestamp offset register (see Section 9.5).

The MPEG2 timestamp enhancements are enabled by bit 10 (`enab_mpeg_ts`) in the link enhancement control register located at PCI offset F4h and aliased in TI extension register space at offset A88h (set) and A8Ch (clear).

When bit 10 (`enab_mpeg_ts`) is set to 1, the hardware applies the timestamp enhancements to isochronous transmit packets that have the tag field equal to 01b in the isochronous packet header and a FMT field equal to 10h.

9.2 Isochronous Receive Digital Video Enhancements

The DV frame sync and branch enhancement provides a mechanism in buffer-fill mode to synchronize 1394 DV data that is received in the correct order to DV frame-sized data buffers described by several INPUT_MORE descriptors (see *1394 Open Host Controller Interface Specification*, Release 1.1). This is accomplished by waiting for the start-of-frame packet in a DV stream before transferring the received isochronous stream into the memory buffer described by the INPUT_MORE descriptors. This can improve the DV capture application performance by reducing the amount of processing overhead required to strip the CIP header and copy the received packets into frame-sized buffers.

The start of a DV frame is represented in the 1394 packet as a 16-bit pattern of 1FX7h (first byte 1Fh and second byte X7h) received as the first two bytes of the third quadlet in a DV isochronous packet.

9.3 Isochronous Receive Digital Video Enhancements Register

The isochronous receive digital video enhancements register enables the DV enhancements in the PCI7510 device. The bits in this register may only be modified when both the active (bit 10) and run (bit 15) bits of the corresponding context control register are 0. See Table 9–2 for a complete description of the register contents.

Bit	31	30	29	28	27	26	25	24	23	22	21	20	19	18	17	16
Name	Isochronous receive digital video enhancements															
Type	R	R	R	R	R	R	R	R	R	R	R	R	R	R	R	R
Default	0	0	0	0	0	0	0	0	0	0	0	0	0	0	0	0
Bit	15	14	13	12	11	10	9	8	7	6	5	4	3	2	1	0
Name	Isochronous receive digital video enhancements															
Type	R	R	RSC	RSC	R	R	RSC	RSC	R	R	RSC	RSC	R	R	RSC	RSC
Default	0	0	0	0	0	0	0	0	0	0	0	0	0	0	0	0

Register: **Isochronous receive digital video enhancements**

Offset: A80h set register

A84h clear register

Type: Read/Set/Clear, Read-only

Default: 0000 0000h

Table 9–2. Isochronous Receive Digital Video Enhancements Register Description

BIT	FIELD NAME	TYPE	DESCRIPTION
31–14	RSVD	R	Reserved. Bits 31–14 return 0s when read.
13	DV_Branch3	RSC	When bit 13 is set to 1, the isochronous receive context 3 synchronizes reception to the DV frame start tag in bufferfill mode if input_more.b = 01b, and jumps to the descriptor pointed to by frameBranch if a DV frame start tag is received out of place. This bit is only interpreted when bit 12 (CIP_Strip3) is set to 1 and bit 30 (isochHeader) in the isochronous receive context control register at OHCI offset 460h/464h (see Section 8.44) is cleared to 0.
12	CIP_Strip3	RSC	When bit 12 is set to 1, the isochronous receive context 3 strips the first two quadlets of payload. This bit is only interpreted when bit 30 (isochHeader) in the isochronous receive context control register at OHCI offset 460h/464h (see Section 8.44) is cleared to 0.
11–10	RSVD	R	Reserved. Bits 11 and 10 return 0s when read.
9	DV_Branch2	RSC	When bit 9 is set to 1, the isochronous receive context 2 synchronizes reception to the DV frame start tag in bufferfill mode if input_more.b = 01b, and jumps to the descriptor pointed to by frameBranch if a DV frame start tag is received out of place. This bit is only interpreted when bit 8 (CIP_Strip2) is set to 1 and bit 30 (isochHeader) in the isochronous receive context control register at OHCI offset 440h/444h (see Section 8.44) is cleared to 0.
8	CIP_Strip2	RSC	When bit 8 is set to 1, the isochronous receive context 2 strips the first two quadlets of payload. This bit is only interpreted when bit 30 (isochHeader) in the isochronous receive context control register at OHCI offset 440h/444h (see Section 8.44) is cleared to 0.

Table 9–2. Isochronous Receive Digital Video Enhancements Register Description (Continued)

BIT	FIELD NAME	TYPE	DESCRIPTION
7–6	RSVD	R	Reserved. Bits 7 and 6 return 0s when read.
5	DV_Branch1	RSC	When bit 5 is set to 1, the isochronous receive context 1 synchronizes reception to the DV frame start tag in bufferfill mode if input_more.b = 01b, and jumps to the descriptor pointed to by frameBranch if a DV frame start tag is received out of place. This bit is only interpreted when bit 4 (CIP_Strip1) is set to 1 and bit 30 (isochHeader) in the isochronous receive context control register at OHCI offset 420h/424h (see Section 8.44) is cleared to 0.
4	CIP_Strip1	RSC	When bit 4 is set to 1, the isochronous receive context 1 strips the first two quadlets of payload. This bit is only interpreted when bit 30 (isochHeader) in the isochronous receive context control register at OHCI offset 420h/424h (see Section 8.44) is cleared to 0.
3–2	RSVD	R	Reserved. Bits 3 and 2 return 0s when read.
1	DV_Branch0	RSC	When bit 1 is set to 1, the isochronous receive context 0 synchronizes reception to the DV frame start tag in bufferfill mode if input_more.b = 01b and jumps to the descriptor pointed to by frameBranch if a DV frame start tag is received out of place. This bit is only interpreted when bit 0 (CIP_Strip0) is set to 1 and bit 30 (isochHeader) in the isochronous receive context control register at OHCI offset 400h/404h (see Section 8.44) is cleared to 0.
0	CIP_Strip0	RSC	When bit 0 is set to 1, the isochronous receive context 0 strips the first two quadlets of payload. This bit is only interpreted when bit 30 (isochHeader) in the isochronous receive context control register at OHCI offset 400h/404h (see Section 8.44) is cleared to 0.

9.4 Link Enhancement Register

This register is a memory-mapped set/clear register that is an alias of the link enhancement control register at PCI offset F4h. These bits may be initialized by software. Some of the bits may also be initialized by a serial EEPROM, if one is present, as noted in the bit descriptions below. If the bits are to be initialized by software, then the bits must be initialized prior to setting bit 19 (LPS) in the host controller control register at OHCI offset 50h/54h (see Section 8.16). See Table 9–3 for a complete description of the register contents.

Bit	31	30	29	28	27	26	25	24	23	22	21	20	19	18	17	16
Name	Link enhancement															
Type	R	R	R	R	R	R	R	R	R	R	R	R	R	R	R	R
Default	0	0	0	0	0	0	0	0	0	0	0	0	0	0	0	0
Bit	15	14	13	12	11	10	9	8	7	6	5	4	3	2	1	0
Name	Link enhancement															
Type	RSC	R	RSC	RSC	R	RSC	R	RSC	RSC	R	R	R	R	R	RSC	R
Default	0	0	0	1	0	0	0	0	0	0	0	0	0	0	0	0

Register: **Link enhancement**
 Offset: A88h set register
 A8Ch clear register
 Type: Read/Set/Clear, Read-only
 Default: 0000 0000h

Table 9–3. Link Enhancement Register Description

BIT	FIELD NAME	TYPE	DESCRIPTION
31–16	RSVD	R	Reserved. Bits 31–16 return 0s when read.
15	dis_at_pipeline	RSC	Disable AT pipelining. When bit 15 is set to 1, out-of-order AT pipelining is disabled.
14	RSVD	R	Reserved.
13–12	atx_thresh	RSC	<p>This field sets the initial AT threshold value, which is used until the AT FIFO is underrun. When the PCI7510 device retries the packet, it uses a 2K-byte threshold, resulting in a store-and-forward operation.</p> <p>00 = Threshold ~ 2K bytes resulting in a store-and-forward operation 01 = Threshold ~ 1.7K bytes (default) 10 = Threshold ~ 1K bytes 11 = Threshold ~ 512 bytes</p> <p>These bits fine-tune the asynchronous transmit threshold. For most applications the 1.7K-byte threshold is optimal. Changing this value may increase or decrease the 1394 latency depending on the average PCI bus latency.</p> <p>Setting the AT threshold to 1.7K, 1K, or 512 bytes results in data being transmitted at these thresholds or when an entire packet has been checked into the FIFO. If the packet to be transmitted is larger than the AT threshold, then the remaining data must be received before the AT FIFO is emptied; otherwise, an underrun condition occurs, resulting in a packet error at the receiving node. As a result, the link then commences store-and-forward operation. Wait until it has the complete packet in the FIFO before retransmitting it on the second attempt, to ensure delivery.</p> <p>An AT threshold of 2K results in store-and-forward operation, which means that asynchronous data will not be transmitted until an end-of-packet token is received. Restated, setting the AT threshold to 2K results in only complete packets being transmitted.</p> <p>Note that this device always uses store-and-forward when the asynchronous transmit retries register at OHCI offset 08h (see Section 8.3) is cleared.</p>
11	RSVD	R	Reserved. Bit 11 returns 0 when read.
10	enab_mpeg_ts	RSC	Enable MPEG timestamp enhancements. When bit 10 is set to 1, the enhancement is enabled for MPEG transmit streams (FMT = 20h).
9	RSVD	R	Reserved. Bit 9 returns 0 when read.
8	enab_dv_ts	RSC	Enable DV CIP timestamp enhancement. When bit 8 is set to 1, the enhancement is enabled for DV CIP transmit streams (FMT = 00h).

Table 9–3. Link Enhancement Register Description (Continued)

BIT	FIELD NAME	TYPE	DESCRIPTION
7	enab_unfair	RSC	Enable asynchronous priority requests. OHCI-Lynx™ compatible. Setting bit 7 to 1 enables the link to respond to requests with priority arbitration. It is recommended that this bit be set to 1.
6	RSVD	R	This bit is not assigned in the PCI7510 follow-on products, since this bit location loaded by the serial EEPROM from the enhancements field corresponds to bit 23 (programPhyEnable) in the host controller control register at OHCI offset 50h/54h (see Section 8.16).
5–2	RSVD	R	Reserved. Bits 5–2 return 0s when read.
1	enab_accel	RSC	Enable acceleration enhancements. OHCI-Lynx™ compatible. When bit 1 is set to 1, the PHY layer is notified that the link supports the IEEE Std 1394a-2000 acceleration enhancements, that is, ack-accelerated, fly-by concatenation, etc. It is recommended that this bit be set to 1.
0	RSVD	R	Reserved. Bit 0 returns 0 when read.

9.5 Timestamp Offset Register

The value of this register is added as an offset to the cycle timer value when using the MPEG, DV, and CIP enhancements. A timestamp offset register is implemented per isochronous transmit context. The *n* value following the offset indicates the context number (*n* = 0, 1, 2, 3, ..., 7). These registers are programmed by software as appropriate. See Table 9–4 for a complete description of the register contents.

Bit	31	30	29	28	27	26	25	24	23	22	21	20	19	18	17	16
Name	Timestamp offset															
Type	RW	R	R	R	R	R	R	RW	RW	RW	RW	RW	RW	RW	RW	RW
Default	0	0	0	0	0	0	0	0	0	0	0	0	0	0	0	0
Bit	15	14	13	12	11	10	9	8	7	6	5	4	3	2	1	0
Name	Timestamp offset															
Type	RW	RW	RW	RW	RW	RW	RW	RW	RW	RW	RW	RW	RW	RW	RW	RW
Default	0	0	0	0	0	0	0	0	0	0	0	0	0	0	0	0

Register: **Timestamp offset**
 Offset: A90h + (4*n)
 Type: Read/Write, Read-only
 Default: 0000 0000h

Table 9–4. Timestamp Offset Register Description

BIT	FIELD NAME	TYPE	DESCRIPTION
31	DisableInitialOffset	RW	Bit 31 disables the use of the initial timestamp offset when the MPEG2 enhancements are enabled. A value of 0 indicates the use of the initial offset, a value of 1 indicates that the initial offset must not be applied to the calculated timestamp. This bit has no meaning for the DV timestamp enhancements.
30–25	RSVD	R	Reserved. Bits 30–25 return 0s when read.
24–12	CycleCount	RW	This field adds an offset to the cycle count field in the timestamp when the DV or MPEG2 enhancements are enabled. The cycle count field is incremented modulo 8000; therefore, values in this field must be limited between 0 and 7999.
11–0	CycleOffset	RW	This field adds an offset to the cycle offset field in the timestamp when the DV or MPEG2 enhancements are enabled. The cycle offset field is incremented modulo 3072; therefore, values in this field must be limited between 0 and 3071.

10 PHY Register Configuration

There are 16 accessible internal registers in the PCI7510 device. The configuration of the registers at addresses 0h through 7h (the base registers) is fixed, whereas the configuration of the registers at addresses 8h through Fh (the paged registers) is dependent upon which one of eight pages, numbered 0h through 7h, is currently selected. The selected page is set in base register 7h.

10.1 Base Registers

Table 10–1 shows the configuration of the base registers, and Table 10–2 shows the corresponding field descriptions. The base register field definitions are unaffected by the selected page number.

A reserved register or register field (marked as Reserved in the following register configuration tables) is read as 0, but is subject to future usage. All registers in address pages 2 through 6 are reserved.

Table 10–1. Base Register Configuration

ADDRESS	BIT POSITION							
	0	1	2	3	4	5	6	7
0000	Physical ID						R	CPS
0001	RHB	IBR	Gap_Count					
0010	Extended (111b)			Reserved	Total_Ports (0010b)			
0011	Max_Speed (010b)			Reserved	Delay (0000b)			
0100	LCtrl	C	Jitter (000b)			Pwr_Class		
0101	Watchdog	ISBR	Loop	Pwr_fail	Timeout	Port_event	Enab_accel	Enab_multi
0110	Reserved							
0111	Page_Select			Reserved	Port_Select			

Table 10–2. Base Register Field Descriptions

FIELD	SIZE	TYPE	DESCRIPTION
Physical ID	6	R	This field contains the physical address ID of this node determined during self-ID. The physical ID is invalid after a bus reset until self-ID has completed as indicated by an unsolicited register-0 status transfer.
R	1	R	Root. This bit indicates that this node is the root node. The R bit is cleared to 0 by bus reset and is set to 1 during tree-ID if this node becomes root.
CPS	1	R	Cable-power-status. This bit indicates the state of the CPS input terminal. The CPS terminal is normally tied to serial bus cable power through a 400-kΩ resistor. A 0 in this bit indicates that the cable power voltage has dropped below its threshold for ensured reliable operation.
RHB	1	R/W	Root-holdoff bit. This bit instructs the PHY layer to attempt to become root after the next bus reset. The RHB bit is cleared to 0 by a system (hardware) reset and is unaffected by a bus reset.
IBR	1	R/W	Initiate bus reset. This bit instructs the PHY layer to initiate a long (166 μs) bus reset at the next opportunity. Any receive or transmit operation in progress when this bit is set completes before the bus reset is initiated. The IBR bit is cleared to 0 after a system (hardware) reset or a bus reset.
Gap_Count	6	R/W	Arbitration gap count. This value sets the subaction (fair) gap, arb-reset gap, and arb-delay times. The gap count can be set either by a write to the register, or by reception or transmission of a PHY_CONFIG packet. The gap count is reset to 3Fh by system (hardware) reset or after two consecutive bus resets without an intervening write to the gap count register (either by a write to the PHY register or by a PHY_CONFIG packet).
Extended	3	R	Extended register definition. For the PCI7510 device, this field is 111b, indicating that the extended register set is implemented.
Total_Ports	4	R	Number of ports. This field indicates the number of ports implemented in the PHY layer. For the PCI7510 device this field is 2.
Max_Speed	3	R	PHY speed capability. For the PCI7510 PHY layer this field is 010b, indicating S400 speed capability.
Delay	4	R	PHY repeater data delay. This field indicates the worst case repeater data delay of the PHY layer, expressed as $144+(\text{delay} \times 20)$ ns. For the PCI7510 device this field is 0.
LCtrl	1	R/W	Link-active status control. This bit controls the active status of the LLC as indicated during self-ID. The logical AND of this bit and the LPS active status is replicated in the L field (bit 9) of the self-ID packet. The LLC is considered active only if both the LPS input is active and the LCtrl bit is set. The LCtrl bit provides a software controllable means to indicate the LLC active/status in lieu of using the LPS input. The LCtrl bit is set to 1 by a system (hardware) reset and is unaffected by a bus reset. NOTE: The state of the PHY-LLC interface is controlled solely by the LPS input, regardless of the state of the LCtrl bit. If the PHY-LLC interface is operational as determined by the LPS input being active, received packets and status information continue to be presented on the interface, and any requests indicated on the LREQ input are processed, even if the LCtrl bit is cleared to 0.
C	1	R/W	Contender status. This bit indicates that this node is a contender for the bus or isochronous resource manager. This bit is replicated in the c field (bit 20) of the self-ID packet.
Jitter	3	R	PHY repeater jitter. This field indicates the worst case difference between the fastest and slowest repeater data delay, expressed as $(\text{Jitter}+1) \times 20$ ns. For the PCI7510 device, this field is 0.
Pwr_Class	3	R/W	Node power class. This field indicates this node power consumption and source characteristics and is replicated in the pwr field (bits 21–23) of the self-ID packet. This field is reset to the state specified by the PC0–PC2 input terminals upon a system (hardware) reset and is unaffected by a bus reset. See Table 10–9.
Watchdog	1	R/W	Watchdog enable. This bit, if set to 1, enables the port event interrupt (Port_event) bit to be set whenever resume operations begin on any port. This bit is cleared to 0 by system (hardware) reset and is unaffected by bus reset.

Table 10–2. Base Register Field Descriptions (Continued)

FIELD	SIZE	TYPE	DESCRIPTION
ISBR	1	R/W	Initiate short arbitrated bus reset. This bit, if set to 1, instructs the PHY layer to initiate a short (1.3 μ s) arbitrated bus reset at the next opportunity. This bit is cleared to 0 by a bus reset. NOTE: Legacy IEEE Std 1394-1995 compliant PHY layers can not be capable of performing short bus resets. Therefore, initiation of a short bus reset in a network that contains such a legacy device results in a long bus reset being performed.
Loop	1	R/W	Loop detect. This bit is set to 1 when the arbitration controller times out during tree-ID start and may indicate that the bus is configured in a loop. This bit is cleared to 0 by system (hardware) reset or by writing a 1 to this register bit. If the Loop and Watchdog bits are both set and the LLC is or becomes inactive, the PHY layer activates the LLC to service the interrupt. NOTE: If the network is configured in a loop, only those nodes which are part of the loop generate a configuration-timeout interrupt. All other nodes instead time out waiting for the tree-ID and/or self-ID process to complete and then generate a state time-out interrupt and bus-reset.
Pwr_fail	1	R/W	Cable power failure detect. This bit is set to 1 whenever the CPS input transitions from high to low indicating that cable power may be too low for reliable operation. This bit is cleared to 0 by system (hardware) reset or by writing a 1 to this register bit.
Timeout	1	R/W	State time-out interrupt. This bit indicates that a state time-out has occurred (which also causes a bus reset to occur). This bit is cleared to 0 by system (hardware) reset or by writing a 1 to this register bit.
Port_event	1	R/W	Port event detect. This bit is set to 1 upon a change in the bias (unless disabled) connected, disabled, or fault bits for any port for which the port interrupt enable (Int_enable) bit is set. Additionally, if the Watchdog bit is set, the Port_event bit is set to 1 at the start of resume operations on any port. This bit is cleared to 0 by system (hardware) reset or by writing a 1 to this register bit.
Enab_accel	1	R/W	Enable accelerated arbitration. This bit enables the PHY layer to perform the various arbitration acceleration enhancements defined in IEEE Std 1394a-2000 (ACK-accelerated arbitration, asynchronous fly-by concatenation, and isochronous fly-by concatenation). This bit is cleared to 0 by system (hardware) reset and is unaffected by bus reset.
Enab_multi	1	R/W	Enable multispeed concatenated packets. This bit enables the PHY layer to transmit concatenated packets of differing speeds in accordance with the protocols defined in IEEE Std 1394a-2000. This bit is cleared to 0 by system (hardware) reset and is unaffected by bus reset.
Page_Select	3	R/W	Page_Select. This field selects the register page to use when accessing register addresses 8 through 15. This field is cleared to 0 by a system (hardware) reset and is unaffected by bus reset.
Port_Select	4	R/W	Port_Select. This field selects the port when accessing per-port status or control (for example, when one of the port status/control registers is accessed in page 0). Ports are numbered starting at 0. This field is cleared to 0 by system (hardware) reset and is unaffected by bus reset.

10.2 Port Status Register

The port status page provides access to configuration and status information for each of the ports. The port is selected by writing 0 to the Page_Select field and the desired port number to the Port_Select field in base register 7. Table 10–3 shows the configuration of the port status page registers and Table 10–4 shows the corresponding field descriptions. If the selected port is not implemented, all registers in the port status page are read as 0.

Table 10–3. Page 0 (Port Status) Register Configuration

ADDRESS	BIT POSITION							
	0	1	2	3	4	5	6	7
1000	AStat		BStat		Ch	Con	Bias	Dis
1001	Peer_Speed			Int_enable	Fault	Reserved		
1010	Reserved							
1011	Reserved							
1100	Reserved							
1101	Reserved							
1110	Reserved							
1111	Reserved							

Table 10–4. Page 0 (Port Status) Register Field Descriptions

FIELD	SIZE	TYPE	DESCRIPTION										
AStat	2	R	TPA line state. This field indicates the TPA line state of the selected port, encoded as follows: <table border="0"> <tr> <td><u>Code</u></td> <td><u>Arb Value</u></td> </tr> <tr> <td>11</td> <td>Z</td> </tr> <tr> <td>10</td> <td>0</td> </tr> <tr> <td>01</td> <td>1</td> </tr> <tr> <td>00</td> <td>invalid</td> </tr> </table>	<u>Code</u>	<u>Arb Value</u>	11	Z	10	0	01	1	00	invalid
<u>Code</u>	<u>Arb Value</u>												
11	Z												
10	0												
01	1												
00	invalid												
BStat	2	R	TPB line state. This field indicates the TPB line state of the selected port. This field has the same encoding as the AStat field.										
Ch	1	R	Child/parent status. A 1 indicates that the selected port is a child port. A 0 indicates that the selected port is the parent port. A disconnected, disabled, or suspended port is reported as a child port. The Ch bit is invalid after a bus reset until tree-ID has completed.										
Con	1	R	Debounced port connection status. This bit indicates that the selected port is connected. The connection must be stable for the debounce time of approximately 341 ms for the Con bit to be set to 1. The Con bit is cleared to 0 by system (hardware) reset and is unaffected by bus reset. NOTE: The Con bit indicates that the port is physically connected to a peer PHY device, but the port is not necessarily active.										
Bias	1	R	Debounced incoming cable bias status. A 1 indicates that the selected port is detecting incoming cable bias. The incoming cable bias must be stable for the debounce time of 52 μs for the Bias bit to be set to 1.										
Dis	1	RW	Port disabled control. If the Dis bit is set to 1, the selected port is disabled. The Dis bit is cleared to 0 by system (hardware) reset (all ports are enabled for normal operation following system (hardware) reset). The Dis bit is not affected by bus reset.										
Peer_Speed	3	R	Port peer speed. This field indicates the highest speed capability of the peer PHY device connected to the selected port, encoded as follows: <table border="0"> <tr> <td><u>Code</u></td> <td><u>Peer Speed</u></td> </tr> <tr> <td>000</td> <td>S100</td> </tr> <tr> <td>001</td> <td>S200</td> </tr> <tr> <td>010</td> <td>S400</td> </tr> <tr> <td>011–111</td> <td>invalid</td> </tr> </table> The Peer_Speed field is invalid after a bus reset until self-ID has completed. NOTE: Peer speed codes higher than 010b (S400) are defined in IEEE Std 1394a-2000. However, the PCI7510 device is only capable of detecting peer speeds up to S400.	<u>Code</u>	<u>Peer Speed</u>	000	S100	001	S200	010	S400	011–111	invalid
<u>Code</u>	<u>Peer Speed</u>												
000	S100												
001	S200												
010	S400												
011–111	invalid												

Table 10–4. Page 0 (Port Status) Register Field Descriptions (Continued)

FIELD	SIZE	TYPE	DESCRIPTION
Int_enable	1	RW	Port event interrupt enable. When the Int_enable bit is set to 1, a port event on the selected port sets the port event interrupt (Port_event) bit and notifies the link. This bit is cleared to 0 by a system (hardware) reset and is unaffected by bus reset.
Fault	1	RW	Fault. This bit indicates that a resume-fault or suspend-fault has occurred on the selected port, and that the port is in the suspended state. A resume-fault occurs when a resuming port fails to detect incoming cable bias from its attached peer. A suspend-fault occurs when a suspending port continues to detect incoming cable bias from its attached peer. Writing 1 to this bit clears the fault bit to 0. This bit is cleared to 0 by system (hardware) reset and is unaffected by bus reset.

10.3 Vendor Identification Register

The vendor identification page identifies the vendor/manufacturer and compliance level. The page is selected by writing 1 to the Page_Select field in base register 7. Table 10–5 shows the configuration of the vendor identification page, and Table 10–6 shows the corresponding field descriptions.

Table 10–5. Page 1 (Vendor ID) Register Configuration

ADDRESS	BIT POSITION							
	0	1	2	3	4	5	6	7
1000	Compliance							
1001	Reserved							
1010	Vendor_ID[0]							
1011	Vendor_ID[1]							
1100	Vendor_ID[2]							
1101	Product_ID[0]							
1110	Product_ID[1]							
1111	Product_ID[2]							

Table 10–6. Page 1 (Vendor ID) Register Field Descriptions

FIELD	SIZE	TYPE	DESCRIPTION
Compliance	8	R	Compliance level. For the PCI7510 device this field is 01h, indicating compliance with IEEE Std 1394a-2000.
Vendor_ID	24	R	Manufacturer's organizationally unique identifier (OUI). For the PCI7510 device this field is 08 0028h (Texas Instruments) (the MSB is at register address 1010b).
Product_ID	24	R	Product identifier. For the PCI7510 device this field is 42 4499h (the MSB is at register address 1101b).

10.4 Vendor-Dependent Register

The vendor-dependent page provides access to the special control features of the PCI7510 device, as well as to configuration and status information used in manufacturing test and debug. This page is selected by writing 7 to the Page_Select field in base register 7. Table 10–7 shows the configuration of the vendor-dependent page, and Table 10–8 shows the corresponding field descriptions.

Table 10–7. Page 7 (Vendor-Dependent) Register Configuration

ADDRESS	BIT POSITION							
	0	1	2	3	4	5	6	7
1000	NPA	Reserved					Link_Speed	
1001	Reserved for test							
1010	Reserved for test							
1011	Reserved for test							
1100	Reserved for test							
1101	Reserved for test							
1110	Reserved for test							
1111	Reserved for test							

Table 10–8. Page 7 (Vendor-Dependent) Register Field Descriptions

FIELD	SIZE	TYPE	DESCRIPTION										
NPA	1	RW	Null-packet actions flag. This bit instructs the PHY layer to not clear fair and priority requests when a null packet is received with arbitration acceleration enabled. If this bit is set to 1, fair and priority requests are cleared only when a packet of more than 8 bits is received; ACK packets (exactly 8 data bits), null packets (no data bits), and malformed packets (less than 8 data bits) do not clear fair and priority requests. If this bit is cleared to 0, fair and priority requests are cleared when any non-ACK packet is received, including null packets or malformed packets of less than 8 bits. This bit is cleared to 0 by system (hardware) reset and is unaffected by bus reset.										
Link_Speed	2	RW	Link speed. This field indicates the top speed capability of the attached LLC. Encoding is as follows: <table border="0" style="margin-left: 20px;"> <tr> <td style="padding-right: 20px;"><u>Code</u></td> <td><u>Speed</u></td> </tr> <tr> <td>00</td> <td>S100</td> </tr> <tr> <td>01</td> <td>S200</td> </tr> <tr> <td>10</td> <td>S400</td> </tr> <tr> <td>11</td> <td>illegal</td> </tr> </table> <p>This field is replicated in the sp field of the self-ID packet to indicate the speed capability of the node (PHY and LLC in combination). However, this field does not affect the PHY speed capability indicated to peer PHYs during self-ID; the PCI7510 PHY layer identifies itself as S400 capable to its peers regardless of the value in this field. This field is set to 10b (S400) by system (hardware) reset and is unaffected by bus reset.</p>	<u>Code</u>	<u>Speed</u>	00	S100	01	S200	10	S400	11	illegal
<u>Code</u>	<u>Speed</u>												
00	S100												
01	S200												
10	S400												
11	illegal												

10.5 Power-Class Programming

The PC0–PC2 terminals are programmed to set the default value of the power-class indicated in the pwr field (bits 21–23) of the transmitted self-ID packet. Table 10–9 shows the descriptions of the various power classes. The default power-class value is loaded following a system (hardware) reset, but is overridden by any value subsequently loaded into the Pwr_Class field in register 4.

Table 10–9. Power Class Descriptions

PC0–PC2	DESCRIPTION
000	Node does not need power and does not repeat power.
001	Node is self-powered and provides a minimum of 15 W to the bus.
010	Node is self-powered and provides a minimum of 30 W to the bus.
011	Node is self-powered and provides a minimum of 45 W to the bus.
100	Node may be powered from the bus and is using up to 3 W. No additional power is needed to enable the link.
101	Reserved
110	Node is powered from the bus and uses up to 3 W. An additional 3 W is needed to enable the link.
111	Node is powered from the bus and uses up to 3 W. An additional 7 W is needed to enable the link.

11 PCI Firmware Loading Function Programming Model (Function 3)

The PCI7510 is a multifunction PCI device. Function 3 is provided so that the firmware can be loaded into internal program memory. The configuration header is compliant with the *PCI Local Bus Specification* as a standard header. Table 11–1 illustrates the PCI configuration header for function 3.

Table 11–1. Function 3 Configuration Register Map

REGISTER NAME				OFFSET
Device ID		Vendor ID		00h
Status		Command		04h
Class code			Revision ID	08h
BIST	Header type	Latency timer	Cache line size	0Ch
Base address register				10h
Reserved				14h–28h
Subsystem ID		Subsystem vendor ID		2Ch
Reserved				30h
Reserved			Capabilities pointer	34h
Reserved				38h
Maximum latency	Minimum grant	Interrupt pin	Interrupt line	3Ch
Reserved				40h
Power management capabilities		Next item pointer	Capability ID	44h
PM data (Reserved)	PMCSR_BSE	Power management CSR		48h
Reserved				4Ch
Reserved			Miscellaneous control	50h
Reserved				54h–F4h
Subsystem access				F8h
Reserved				FCh

11.1 Vendor ID Register

This 16-bit read-only register contains the value 104Ch, which is the vendor ID assigned to Texas Instruments.

Bit	15	14	13	12	11	10	9	8	7	6	5	4	3	2	1	0
Name	Vendor ID															
Type	R	R	R	R	R	R	R	R	R	R	R	R	R	R	R	R
Default	0	0	0	1	0	0	0	0	0	1	0	0	1	1	0	0

Register: **Vendor ID**
 Offset: 00h
 Type: Read-only
 Default: 104Ch

11.2 Device ID Register

This 16-bit read-only register contains the value 8204h assigned by TI to the PCI7510 firmware loading function.

Bit	15	14	13	12	11	10	9	8	7	6	5	4	3	2	1	0
Name	Device ID															
Type	R	R	R	R	R	R	R	R	R	R	R	R	R	R	R	R
Default	1	0	0	0	0	0	1	0	0	0	0	0	0	1	0	0

Register: **Device ID**
 Offset: 02h
 Type: Read-only
 Default: 8204h

11.3 Command Register

This register provides control over the PCI7510 interface to the PCI bus. All bit functions adhere to the definitions in the *PCI Local Bus Specification*. See Table 11–2 for a complete description of the register contents.

Bit	15	14	13	12	11	10	9	8	7	6	5	4	3	2	1	0
Name	Command															
Type	R	R	R	R	R	RW	R	RW	R	RW	R	RW	R	RW	RW	RW
Default	0	0	0	0	0	0	0	0	0	0	0	0	0	0	0	0

Register: **Command**
 Offset: 04h
 Type: Read-only, Read/Write
 Default: 0000h

Table 11–2. Command Register Description

BIT	SIGNAL	TYPE	FUNCTION
15–11	RSVD	R	Reserved. Bits 15–11 return 0s when read.
10	INT_DISABLE	RW	INTx disable. When set, this bit disables the function from asserting interrupts on the INTx signals. Since the firmware loader function does not signal interrupts, this bit has no effect on the function. 0 = INTx assertion is enabled (default) 1 = INTx assertion is disabled This bit is disabled (read-only 0) if bit 0 (PCI2_3_EN) in the miscellaneous control register (see Section 11.24) is 0.
9	FBB_EN	R	Fast back-to-back enable. The PCI7510 device does not generate fast back-to-back transactions; thus, this bit returns 0 when read.
8	SERR_EN	RW	SERR enable. When set, the PCI7510 SERR driver is enabled. SERR can be asserted after detecting an address parity error on the PCI bus.
7	RSVD	R	Reserved. Bit 7 returns 0 when read.
6	PERR_EN	RW	Parity error enable. When set, the PCI7510 device is enabled to drive the PERR response to parity errors through the PERR signal.
5	VGA_EN	R	VGA palette snoop enable. The PCI7510 device does not feature VGA palette snooping; thus, this bit returns 0 when read.
4	MWI_EN	RW	Memory write-and-invalidate (MWI) enable. This bit is hardwired to 0 since the firmware loader is a slave-only function.
3	SPECIAL	R	Special cycle enable. The PCI7510 device does not respond to special cycle transactions. This bit returns 0 when read.
2	MASTER_ENB	RW	Bus master enable. This bit is hardwired to 0 since the firmware loader is a slave-only function.
1	MEMORY_ENB	RW	Memory response enable. This bit is hardwired to 0 since the firmware loader does not respond to memory cycles.
0	IO_EN	RW	I/O space enable. Setting this bit to 1 enables the PCI7510 device to respond to I/O space accesses.

11.4 Status Register

This register provides device information to the host system. Bits in this register may be read normally. A bit in the status register is reset when a 1 is written to that bit location; a 0 written to a bit location has no effect. All bit functions adhere to the definitions in the *PCI Local Bus Specification*. See Table 11–3 for a complete description of the register contents.

Bit	15	14	13	12	11	10	9	8	7	6	5	4	3	2	1	0
Name	Status															
Type	RCU	RCU	RCU	RCU	RCU	R	R	RCU	R	R	R	R	R	R	R	R
Default	0	0	0	0	0	0	1	0	0	0	0	1	0	0	0	0

Register: **Status**
 Offset: 06h
 Type: Read-only, Read/Clear/Update
 Default: 0210h

Table 11–3. Status Register Description

BIT	SIGNAL	TYPE	FUNCTION
15	PAR_ERR	RCU	Detected parity error. This bit is set when a parity error is detected, either an address- or data-parity error.
14	SYS_ERR	RCU	Signaled system error. This bit is set when \overline{SERR} is enabled and the PCI7510 device has signaled a system error to the host.
13	MABORT	RCU	Received master abort. This bit is set when a cycle initiated by the PCI7510 device on the PCI bus has been terminated by a master abort.
12	TABORT_REC	RCU	Received target abort. This bit is set when a cycle initiated by the PCI7510 device on the PCI bus has been terminated by a target abort.
11	TABORT_SIG	RCU	Signaled target abort. This bit is set by the PCI7510 device when it terminates a transaction on the PCI bus with a target abort.
10–9	PCI_SPEED	R	DEVSEL timing. These bits encode the timing of \overline{DEVSEL} and are hardwired 01b, indicating that the PCI7510 device asserts this signal at a medium speed on nonconfiguration cycle accesses.
8	DATAPAR	RCU	Data parity error detected. This bit is set when the following conditions have been met: a. \overline{PERR} was asserted by any PCI device, including the PCI7510 device. b. The PCI7510 device was the bus master during the data parity error. c. The parity error response bit is set in the command register.
7	FBB_CAP	R	Fast back-to-back capable. The PCI7510 device cannot accept fast back-to-back transactions; thus, this bit is hardwired to 0.
6	UDF	R	UDF supported. The PCI7510 device does not support the user definable features; thus, this bit is hardwired to 0.
5	66MHZ	R	66-MHz capable. The PCI7510 device operates at a maximum PCLK frequency of 33 MHz; therefore, this bit is hardwired to 0.
4	CAPLIST	R	Capabilities list. This bit returns 1 when read, indicating that the firmware loading function of the PCI7510 device supports additional PCI capabilities.
3	INT_STATUS	R	Interrupt status. This bit reflects the interrupt status of the function. Since the firmware loader function does not signal interrupts, this bit is hardwired to 0. This bit is disabled (read-only 0) if bit 0 (PCI2_3_EN) in the miscellaneous control register (see Section 11.24) is 0.
2–0	RSVD	R	Reserved. Bits 2–0 return 0s when read.

11.5 Class Code and Revision ID Register

This read-only register categorizes the base class, subclass, and programming interface of the function. The base class is 08h, identifying the function as a generic system peripheral. The subclass is 80h, identifying the function as an other system peripheral. The programming interface is 00h. Furthermore, the TI chip revision (00h) is indicated in the lower byte. See Table 11–4 for a complete description of the register contents.

Bit	31	30	29	28	27	26	25	24	23	22	21	20	19	18	17	16
Name	Class code and revision ID															
Type	R	R	R	R	R	R	R	R	R	R	R	R	R	R	R	R
Default	0	0	0	0	1	0	0	0	1	0	0	0	0	0	0	0
Bit	15	14	13	12	11	10	9	8	7	6	5	4	3	2	1	0
Name	Class code and revision ID															
Type	R	R	R	R	R	R	R	R	R	R	R	R	R	R	R	R
Default	0	0	0	0	0	0	0	0	0	0	0	0	0	0	0	0

Register: **Class code and revision ID**
 Offset: 08h
 Type: Read-only
 Default: 0880 0000h

Table 11–4. Class Code and Revision ID Register Description

BIT	SIGNAL	TYPE	DESCRIPTION
31–24	BASECLASS	R	Base class. This field returns 08h when read, which broadly classifies the function as a generic system peripheral.
23–16	SUBCLASS	R	Subclass. This field returns 80h when read, which specifically classifies the function as other system peripheral.
15–8	PGMIF	R	Programming interface. This field returns 00h when read.
7–0	CHIPREV	R	Silicon revision. This field returns the silicon revision of PCI7510 device.

11.6 Cache Line Size Register

This read/write register is programmed by host software to indicate the system cache line size.

Bit	7	6	5	4	3	2	1	0
Name	Cache line size							
Type	R	R	R	R	R	R	R	R
Default	0	0	0	0	0	0	0	0

Register: **Cache line size**
 Offset: 0Ch
 Type: Read-only
 Default: 00h

11.7 Latency Timer Register

This read/write register specifies the latency timer for PCI7510 device, in units of PCI clock cycles.

Bit	7	6	5	4	3	2	1	0
Name	Latency timer							
Type	R	R	R	R	R	R	R	R
Default	0	0	0	0	0	0	0	0

Register: **Latency timer**
 Offset: 0Dh
 Type: Read-only
 Default: 00h

11.8 Header Type Register

This read-only register indicates that this function has a standard PCI header type.

Bit	7	6	5	4	3	2	1	0
Name	Header type							
Type	R	R	R	R	R	R	R	R
Default	1	0	0	0	0	0	0	0

Register: **Header type**
 Offset: 0Eh
 Type: Read-only
 Default: 80h

11.9 BIST Register

Because the PCI7510 device does not support a built-in self test (BIST), this read-only register returns the value of 00h when read.

Bit	7	6	5	4	3	2	1	0
Name	BIST							
Type	R	R	R	R	R	R	R	R
Default	0	0	0	0	0	0	0	0

Register: **BIST**
 Offset: 0Fh
 Type: Read-only
 Default: 00h

11.10 Base Address Register

This register specifies the base address of a 4-byte I/O space used for loading the PCI7510 firmware. See Table 11–5 for a complete description of the register contents.

Bit	31	30	29	28	27	26	25	24	23	22	21	20	19	18	17	16
Name	Base address															
Type	RW	RW	RW	RW	RW	RW	RW	RW	RW	RW	RW	RW	RW	RW	RW	RW
Default	0	0	0	0	0	0	0	0	0	0	0	0	0	0	0	0
Bit	15	14	13	12	11	10	9	8	7	6	5	4	3	2	1	0
Name	Base address															
Type	RW	RW	RW	RW	RW	RW	RW	RW	RW	RW	RW	RW	RW	RW	R	R
Default	0	0	0	0	0	0	0	0	0	0	0	0	0	0	0	1

Register: **Base address**
 Offset: 10h
 Type: Read-only, Read/Write
 Default: 0000 0001h

Table 11–5. Base Address Register Description

BIT	SIGNAL	TYPE	FUNCTION
31–2	BAR	RW	Base address. This field specifies the upper 30 bits of the 32-bit starting base address.
1	RSVD	R	Reserved. Bit 1 returns 0 when read.
0	IO_INDICATOR	R	I/O space indicator. This bit is hardwired to 1 to indicate that the base address maps into I/O space.

11.11 Subsystem Vendor ID Register

This register, used for system and option card identification purposes, may be required for certain operating systems. This read-only register is initialized through the EEPROM and can be written through an alias register at PCI offset F8h.

Bit	15	14	13	12	11	10	9	8	7	6	5	4	3	2	1	0
Name	Subsystem vendor ID															
Type	R	R	R	R	R	R	R	R	R	R	R	R	R	R	R	R
Default	0	0	0	0	0	0	0	0	0	0	0	0	0	0	0	0

Register: **Subsystem vendor ID**
 Offset: 2Ch
 Type: Read-only
 Default: 0000h

11.12 Subsystem ID Register

This register, used for system and option card identification purposes, may be required for certain operating systems. This read-only register is initialized through the EEPROM and can be written through an alias register at PCI offset F8h.

Bit	15	14	13	12	11	10	9	8	7	6	5	4	3	2	1	0
Name	Subsystem ID															
Type	R	R	R	R	R	R	R	R	R	R	R	R	R	R	R	R
Default	0	0	0	0	0	0	0	0	0	0	0	0	0	0	0	0

Register: **Subsystem ID**
 Offset: 2Eh
 Type: Read-only
 Default: 0000h

11.13 Capabilities Pointer Register

This read-only register provides a pointer into the PCI configuration header where the PCI power management block resides. Because the PCI power management registers begin at 44h, this register is hardwired to 44h.

Bit	7	6	5	4	3	2	1	0
Name	Capabilities pointer							
Type	R	R	R	R	R	R	R	R
Default	0	1	0	0	0	1	0	0

Register: **Capabilities pointer**
 Offset: 34h
 Type: Read-only
 Default: 44h

11.14 Interrupt Line Register

Since the firmware loader function does not signal interrupts, this register is implemented as read-only returning 00h.

Bit	7	6	5	4	3	2	1	0
Name	Interrupt line							
Type	R	R	R	R	R	R	R	R
Default	0	0	0	0	0	0	0	0

Register: **Interrupt line**
Offset: 3Ch
Type: Read-only
Default: 00h

11.15 Interrupt Pin Register

Since the firmware loader function does not signal interrupts, this register is implemented as read-only returning 00h.

Bit	7	6	5	4	3	2	1	0
Name	Interrupt pin							
Type	R	R	R	R	R	R	R	R
Default	0	0	0	0	0	0	0	0

Register: **Interrupt pin**
Offset: 3Dh
Type: Read-only
Default: 00h

11.16 Minimum Grant Register

Since the firmware loader function is a slave-only function, this register is implemented as read-only returning 00h.

Bit	7	6	5	4	3	2	1	0
Name	Minimum grant							
Type	R	R	R	R	R	R	R	R
Default	0	0	0	0	0	0	0	0

Register: **Minimum grant**
Offset: 3Eh
Type: Read-only
Default: 00h

11.17 Maximum Latency Register

Since the firmware loader function is a slave-only function, this register is implemented as read-only returning 00h.

Bit	7	6	5	4	3	2	1	0
Name	Maximum latency							
Type	R	R	R	R	R	R	R	R
Default	0	0	0	0	0	0	0	0

Register: **Maximum latency**
Offset: 3Fh
Type: Read-only
Default: 00h

11.18 Capability ID Register

This read-only register identifies the linked list item as the register for PCI power management. The register returns 01h when read.

Bit	7	6	5	4	3	2	1	0
Name	Capability ID							
Type	R	R	R	R	R	R	R	R
Default	0	0	0	0	0	0	0	1

Register: **Capability ID**

Offset: 44h

Type: Read-only

Default: 01h

11.19 Next-Item Pointer Register

The contents of this read-only register indicate the next item in the linked list of capabilities for the PCI7510 device. Because PCI power management is the only entry in the capabilities list for the firmware loading function of the PCI7510 device, this register returns 00h when read.

Bit	7	6	5	4	3	2	1	0
Name	Next-item pointer							
Type	R	R	R	R	R	R	R	R
Default	0	0	0	0	0	0	0	0

Register: **Next-item pointer**

Offset: 45h

Type: Read-only

Default: 00h

11.20 Power-Management Capabilities Register

This register indicates the capabilities of the firmware loading function of the PCI7510 device related to PCI power management. See Table 11–6 for a complete description of the register contents.

Bit	7	6	5	4	3	2	1	0
Name	Power-management capabilities							
Type	R	R	R	R	R	R	R	R
Default	0	0	0	0	0	0	0	0

Register: **Power-management capabilities**

Offset: 46h

Type: Read-only

Default: 00h

Table 11–6. Power-Management Capabilities Register Description

BIT	SIGNAL	TYPE	FUNCTION
15–11	PME_SUPPORT	R	$\overline{\text{PME}}$ support. This 5-bit field indicates the power states from which the PCI7510 device can assert $\overline{\text{PME}}$. These five bits return a value of 00000b by default, indicating that the firmware loading function does not assert $\overline{\text{PME}}$.
10	D2_SUPPORT	R	This bit returns a 0 when read, indicating that the function does not support the D2 device power state.
9	D1_SUPPORT	R	This bit returns a 0 when read, indicating that the function does not support the D1 device power state.
8–6	AUX_CURRENT	R	3.3-Vaux auxiliary power requirements. Because this function does not support $\overline{\text{PME}}$ generation from D3 _{cold} , this field returns 000b when read.
5	DSI	R	Device specific initialization. This bit returns 0 when read, indicating that the PCI7510 device does not require special initialization beyond the standard PCI configuration header before a generic class driver is able to use it.
4	RSVD	R	Reserved. Bit 4 returns 0 when read.
3	PME_CLK	R	$\overline{\text{PME}}$ clock. This bit returns 0 when read, because the firmware loading function of the PCI7510 device does not support $\overline{\text{PME}}$ generation.
2–0	PM_VERSION	R	Power management version. This field returns 010b, indicating revision 1.1 compatibility.

11.21 Power-Management Control/Status Register

This register determines and changes the current power state of the firmware loading function of the PCI7510 device. The contents of this register are not affected by the internally generated reset caused by the transition from the D3_{hot} to D0 state. See Table 11–7 for a complete description of the register contents.

Bit	15	14	13	12	11	10	9	8	7	6	5	4	3	2	1	0
Name	Power-management control/status															
Type	RC	R	R	R	R	R	R	R	R	R	R	R	R	R	RW	RW
Default	0	0	0	0	0	0	0	0	0	0	0	0	0	0	0	0

Register: **Power-management control/status**
 Offset: 48h
 Type: Read-only, Read/Clear, Read/Write
 Default: 0000h

Table 11–7. Power-Management Control/Status Register Description

BIT	SIGNAL	TYPE	DESCRIPTION
15	PME_STAT	RC	PME status. This bit defaults to 0 because the firmware loading function does not support $\overline{\text{PME}}$ generation from any state.
14–13	DATA_SCALE	R	Data scale. This 2-bit field returns 0s when read because the firmware loading function does not use the data register.
12–9	DATA_SEL	R	Data select. This 4-bit field returns 0s when read because the firmware loading function does not use the data register.
8	PME_EN	R	PME enable. This bit defaults to 0 because the firmware loading function does not support $\overline{\text{PME}}$ generation from any state.
7–2	RSVD	R	Reserved. Bits 7–2 return 0s when read.
1–0	PWR_STATE	RW	Power state. This 2-bit field is used both to determine the current power state of the function and to set the function into a new power state. This field is encoded as follows: 00 = D0 01 = D1 10 = D2 11 = D3 _{hot}

11.22 Power-Management Bridge Support Extension Register

This read-only register is not applicable to the firmware loading function of the PCI7510 device and returns 00h when read.

Bit	7	6	5	4	3	2	1	0
Name	Power-management bridge support extension							
Type	R	R	R	R	R	R	R	R
Default	0	0	0	0	0	0	0	0

Register: **Power-management bridge support extension**
 Offset: 4Ah
 Type: Read-only
 Default: 00h

11.23 Power-Management Data Register

The read-only register is not applicable to the firmware loading function of the PCI7510 device and returns 00h when read.

Bit	7	6	5	4	3	2	1	0
Name	Power-management data							
Type	R	R	R	R	R	R	R	R
Default	0	0	0	0	0	0	0	0

Register: **Power-management data**

Offset: 4Bh

Type: Read-only

Default: 00h

11.24 Miscellaneous Control Register

This register contains the miscellaneous control bits for the firmware loader function. See Table 11–8 for a complete description of the register contents.

Bit	7	6	5	4	3	2	1	0
Name	Miscellaneous control							
Type	R	R	R	R	R	R	R	R
Default	0	0	0	0	0	0	0	0

Register: **Miscellaneous control**

Offset: 50h

Type: Read-only, Read/Write

Default: 00h

Table 11–8. Miscellaneous Control Register Description

BIT	SIGNAL	TYPE	DESCRIPTION
7–1	RSVD	R	Reserved. Bits 7–1 return 0s when read.
0	PCI2_3_EN	RW	PCI 2.3 enable. When this bit is set, the firmware loader function conforms to the <i>PCI Local Bus Specification (Revision 2.3)</i> . When in the PCI 2.3 mode, bit 10 (INT_DISABLE) in the command register (see Section 11.3) and bit 3 (INT_STATUS) in the status register (see Section 11.4) are functional. When this bit is cleared, the function conforms to the <i>PCI Local Bus Specification (Revision 2.2)</i> and all PCI 2.3 bits are disabled. 0 = PCI 2.2 mode (default) 1 = PCI 2.3 mode

11.25 Subsystem Access Register

This register is a read/write register and the contents of this register are aliased to the subsystem vendor ID register at PCI offset 2Ch (see Section 11.11) and subsystem ID register at PCI offset 2Eh (see Section 11.12). See Table 11–9 for a complete description of the register contents.

Bit	31	30	29	28	27	26	25	24	23	22	21	20	19	18	17	16
Name	Subsystem access															
Type	R	R	R	R	R	R	R	R	R	R	R	R	R	R	R	R
Default	0	0	0	0	0	0	0	0	0	0	0	0	0	0	0	0
Bit	15	14	13	12	11	10	9	8	7	6	5	4	3	2	1	0
Name	Subsystem access															
Type	R	R	R	R	R	R	R	R	R	R	R	R	R	R	R	R
Default	0	0	0	0	0	0	0	0	0	0	0	0	0	0	0	0

Register: **Subsystem access**
 Offset: F8h
 Type: Read/Write
 Default: 0000 0000h

Table 11–9. Subsystem Access Register Description

BIT	SIGNAL	TYPE	DESCRIPTION
31–16	SubsystemID	RW	Subsystem ID. The value written to this field is aliased to the subsystem ID register at PCI offset 2Eh.
15–0	SubsystemVendorID	RW	Subsystem vendor ID. The value written to this field is aliased to the subsystem vendor ID register at PCI offset 2Ch.

12 Electrical Characteristics

12.1 Absolute Maximum Ratings Over Operating Temperature Ranges†

Supply voltage range, VR_PORT	-0.2 V to 2.2 V
ANALOGV _{CC}	-0.3 V to 4 V
V _{CC}	-0.3 V to 4 V
PLL _{VCC}	-0.3 V to 4 V
V _{CCCB}	-0.5 V to 5.5 V
V _{C_{CP}}	-0.5 V to 5.5 V
Clamping voltage range, V _{C_{CP}} and V _{C_{CCB}}	-0.5 V to 6 V
Input voltage range, V _I : PCI, CardBus, PHY, miscellaneous	-0.5 V to V _{CC} + 0.5 V
Output voltage range, V _O : PCI, CardBus, PHY, miscellaneous	-0.5 V to V _{CC} + 0.5 V
Input clamp current, I _{IK} (V _I < 0 or V _I > V _{CC}) (see Note 1)	±20 mA
Output clamp current, I _{OK} (V _O < 0 or V _O > V _{CC}) (see Note 2)	±20 mA
Operating free-air temperature, T _A	0°C to 70°C
Storage temperature range, T _{stg}	-65°C to 150°C
Virtual junction temperature, T _J	150°C

† Stresses beyond those listed under absolute maximum ratings may cause permanent damage to the device. These are stress ratings only and functional operation of the device at these or any other conditions beyond those indicated under recommended operating conditions is not implied. Exposure to absolute-maximum-rated conditions for extended periods may affect device reliability.

- NOTES:
1. Applies for external input and bidirectional buffers. V_I > V_{CC} does not apply to fail-safe terminals. PCI terminals and miscellaneous terminals are measured with respect to V_{C_{CP}} instead of V_{CC}. PC Card terminals are measured with respect to CardBus V_{CC}. The limit specified applies for a dc condition.
 2. Applies for external output and bidirectional buffers. V_O > V_{CC} does not apply to fail-safe terminals. PCI terminals and miscellaneous terminals are measured with respect to V_{C_{CP}} instead of V_{CC}. PC Card terminals are measured with respect to CardBus V_{CC}. The limit specified applies for a dc condition.

12.2 Recommended Operating Conditions (see Note 3)

	OPERATION	MIN	NOM	MAX	UNIT
VR_PORT (see Table 2–5 for description)	1.8 V	1.6	1.8	2	V
ANALOGV _{CC}	3.3 V	3	3.3	3.6	V
V _{CC}	3.3 V	3	3.3	3.6	V
PLL _{VCC}	3.3 V	3	3.3	3.6	V
V _{C_{CP}} PCI and miscellaneous I/O clamp voltage	3.3 V	3	3.3	3.6	V
	5 V	4.75	5	5.25	
V _{C_{CCB}} PC Card I/O clamp voltage	3.3 V	3	3.3	3.6	V
	5 V	4.75	5	5.25	

NOTE 3: Unused terminals (input or I/O) must be held high or low to prevent them from floating.

Recommended Operating Conditions (continued)

		OPERATION	MIN	NOM	MAX	UNIT
V_{IH}^{\dagger}	High-level input voltage	PCI	3.3 V		V_{CCP}	V
			5 V	2	V_{CCP}	
	PC Card	PC Card	3.3 V CardBus	$0.475 V_{CC(A/B)}$	$V_{CC(A/B)}$	
			3.3 V 16-bit	2	$V_{CC(A/B)}$	V
			5 V 16-bit	2.4	$V_{CC(A/B)}$	V
	PC(0–2)		$0.7 V_{CC}$	V_{CC}	V	
Miscellaneous [‡]		2	V_{CC}	V		
V_{IL}^{\dagger}	Low-level input voltage	PCI	3.3 V	0	$0.3 V_{CCP}$	V
			5 V	0	0.8	
	PC Card	PC Card	3.3 V CardBus	0	$0.325 V_{CC(A/B)}$	
			3.3 V 16-bit	0	0.8	V
			5 V 16-bit	0	0.8	V
	PC(0–2)		0	$0.2 V_{CC}$	V	
Miscellaneous [‡]		0	0.8	V		
V_I	Input voltage	PCI		0	V_{CCP}	V
		PC Card		0	V_{CCCB}	
		Miscellaneous [‡]		0	V_{CC}	
V_O^{\S}	Output voltage	PCI		0	V_{CC}	V
		PC Card		0	V_{CC}	
		Miscellaneous [‡]		0	V_{CC}	
t_t	Input transition time (t_r and t_f)	PCI and PC Card		1	4	ns
		Miscellaneous [‡]		0	6	
I_O	Output current	TPBIAS outputs		-5.6	1.3	mA
V_{ID}	Differential input voltage	Cable inputs during data reception		118	260	mV
		Cable inputs during arbitration		168	265	
V_{IC}	Common-mode input voltage	TPB cable inputs, source power node		0.4706	2.515	V
		TPB cable inputs, nonsource power node		0.4706	2.015 [¶]	
t_{PU}	Powerup reset time	GRST [‡] input		2		ms
	Receive input jitter	TPA, TPB cable inputs	S100 operation		± 1.08	ns
			S200 operation		± 0.5	
			S400 operation		± 0.315	
	Receive input skew	Between TPA and TPB cable inputs	S100 operation		± 0.8	ns
			S200 operation		± 0.55	
			S400 operation		± 0.5	
T_A	Operating ambient temperature range		0	25	70	°C
$T_{J\#}$	Virtual junction temperature		0	25	115	°C

[†] Applies to external inputs and bidirectional buffers without hysteresis

[‡] Miscellaneous terminals are 1, 2, 12, 17, 111, 112, 125, 167, 181, and 187 for the PDV packaged device and B10, C09, D01, E03, F12, G03, H02, L17, P17, and P18 for the GHK packaged device (CNA, SCL, SDA, SUSPEND, GRST, CDx, PHY_TEST_MA, and VSx terminals).

[§] Applies to external output buffers

[¶] For a node that does not source power, see Section 4.2.2.2 in IEEE Std 1394a–2000.

[#] These junction temperatures reflect simulation conditions. The customer is responsible for verifying junction temperature.

12.3 Electrical Characteristics Over Recommended Operating Conditions (unless otherwise noted)

PARAMETER	TERMINALS	OPERATION	TEST CONDITIONS	MIN	MAX	UNIT
V _{OH} High-level output voltage	PCI	3.3 V	I _{OH} = -0.5 mA	0.9 V _{CC}		V
		5 V	I _{OH} = -2 mA	2.4		
	PC Card	3.3 V CardBus	I _{OH} = -0.15 mA	0.9 V _{CC}		V
		3.3 V 16-bit	I _{OH} = -0.15 mA	2.4		
		5 V 16-bit	I _{OH} = -0.15 mA	2.8		
Miscellaneous [§]		I _{OH} = -4 mA	V _{CC} -0.6			
V _{OL} Low-level output voltage	PCI	3.3 V	I _{OL} = 1.5 mA		0.1 V _{CC}	V
		5 V	I _{OL} = 6 mA		0.55	
	PC Card	3.3 V CardBus	I _{OL} = 0.7 mA		0.1 V _{CC}	
		3.3 V 16-bit	I _{OL} = 0.7 mA		0.4	
		5 V 16-bit	I _{OL} = 0.7 mA		0.55	
Miscellaneous [§]		I _{OL} = 4 mA		0.5		
I _{OZ} 3-state output high-impedance	Output terminals	3.6 V	V _O = V _{CC} or GND		±20	μA
I _{OZL} High-impedance, low-level output current	Output terminals	3.6 V	V _I = V _{CC}		-1	μA
		5.25 V	V _I = V _{CC}		-1	
I _{OZH} High-impedance, high-level output current	Output terminals	3.6 V	V _I = V _{CC} [†]		10	μA
		5.25 V	V _I = V _{CC} [†]		25	
I _{IL} Low-level input current	Input terminals	3.6 V	V _I = GND		±20	μA
	I/O terminals	3.6 V	V _I = GND		±20	
I _{IH} High-level input current	PCI	3.6 V	V _I = V _{CC} [‡]		±20	μA
	Others	3.6 V	V _I = V _{CC} [‡]		±20	
	Input terminals	3.6 V	V _I = V _{CC} [‡]		10	
		5.25 V	V _I = V _{CC} [‡]		20	
	I/O terminals	3.6 V	V _I = V _{CC} [‡]		10	
		5.25 V	V _I = V _{CC} [‡]		25	

[†] For PCI and miscellaneous terminals, V_I = V_{CCP}. For PC Card terminals, V_I = V_{CC(A/B)}.

[‡] For I/O terminals, input leakage (I_{IL} and I_{IH}) includes I_{OZ} leakage of the disabled output.

[§] Miscellaneous terminals are 1, 2, 12, 17, 111, 112, 125, 167, 181, and 187 for the PDV packaged device and B10, C09, D01, E03, F12, G03, H02, L17, P17, and P18 for the GHK packaged device (CNA, SCL, SDA, SUSPEND, GRST, CDx, PHY_TEST_MA, and VSx terminals).

12.4 Electrical Characteristics Over Recommended Ranges of Operating Conditions (unless otherwise noted)

12.4.1 Device

PARAMETER	TEST CONDITION	MIN	MAX	UNIT
V _{TH} Power status threshold, CPS input [†]	400-kΩ resistor [†]	4.7	7.5	V
V _O TPBIAS output voltage	At rated I _O current	1.665	2.015	V
I _I Input current (PC0–PC2 inputs)	V _{CC} = 3.6 V		5	μA

[†] Measured at cable power side of resistor.

12.4.2 Driver

PARAMETER		TEST CONDITION	MIN	MAX	UNIT
V _{OD}	Differential output voltage	56 Ω, See Figure 12–1	172	265	mV
I _{DIFF}	Driver difference current, TPA+, TPA–, TPB+, TPB–	Drivers enabled, speed signaling off	–1.05†	1.05†	mA
I _{SP200}	Common-mode speed signaling current, TPB+, TPB–	S200 speed signaling enabled	–4.84‡	–2.53‡	mA
I _{SP400}	Common-mode speed signaling current, TPB+, TPB–	S400 speed signaling enabled	–12.4‡	–8.10‡	mA
V _{OFF}	Off state differential voltage	Drivers disabled, See Figure 12–1		20	mV

† Limits defined as algebraic sum of TPA+ and TPA– driver currents. Limits also apply to TPB+ and TPB– algebraic sum of driver currents.

‡ Limits defined as absolute limit of each of TPB+ and TPB– driver currents.

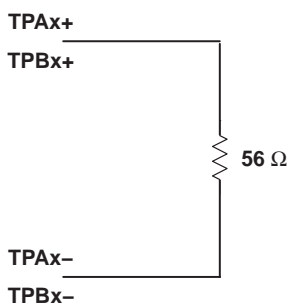


Figure 12–1. Test Load Diagram

12.4.3 Receiver

PARAMETER		TEST CONDITION	MIN	TYP	MAX	UNIT
Z _{ID}	Differential impedance	Drivers disabled	4	7		kΩ
					4	pF
Z _{IC}	Common-mode impedance	Drivers disabled	20			kΩ
					24	pF
V _{TH-R}	Receiver input threshold voltage	Drivers disabled	–30		30	mV
V _{TH-CB}	Cable bias detect threshold, TPBx cable inputs	Drivers disabled	0.6		1.0	V
V _{TH+}	Positive arbitration comparator threshold voltage	Drivers disabled	89		168	mV
V _{TH-}	Negative arbitration comparator threshold voltage	Drivers disabled	–168		–89	mV
V _{TH-SP200}	Speed signal threshold	TPBIAS–TPA common mode voltage, drivers disabled	49		131	mV
V _{TH-SP400}	Speed signal threshold		314		396	mV

12.5 PCI Clock/Reset Timing Requirements Over Recommended Ranges of Supply Voltage and Operating Free-Air Temperature

PARAMETER		ALTERNATE SYMBOL	TEST CONDITIONS	MIN	MAX	UNIT
t _c	Cycle time, PCLK	t _{cyc}		30		ns
t _{w(H)}	Pulse duration (width), PCLK high	t _{high}		11		ns
t _{w(L)}	Pulse duration (width), PCLK low	t _{low}		11		ns
t _r , t _f	Slew rate, PCLK	Δv/Δt		1	4	V/ns
t _w	Pulse duration (width), GRST	t _{rst}		1		ms
t _{su}	Setup time, PCLK active at end of PRST	t _{rst-clk}		100		μs

12.6 Switching Characteristics for PHY Port Interface

PARAMETER		TEST CONDITIONS	MIN	TYP	MAX	UNIT
Jitter, transmit		Between TPA and TPB			±0.15	ns
Skew, transmit		Between TPA and TPB			±0.10	ns
t_r	TP differential rise time, transmit	10% to 90%, at 1394 connector	0.5		1.2	ns
t_f	TP differential fall time, transmit	90% to 10%, at 1394 connector	0.5		1.2	ns

12.7 Operating, Timing, and Switching Characteristics of XI

PARAMETER		MIN	TYP	MAX	UNIT
V_{DD}		3.0	3.3	3.6	V (PLL V_{CC})
V_{IH}	High-level input voltage	0.63 V_{CC}			V
V_{IL}	Low-level input voltage	0.33 V_{CC}			V
Input clock frequency		24.576			MHz
Input clock frequency tolerance		<100			PPM
Input slew rate		0.2		4	V/ns
Input clock duty cycle		40%		60%	

12.8 PCI Timing Requirements Over Recommended Ranges of Supply Voltage and Operating Free-Air Temperature

This data manual uses the following conventions to describe time (t) intervals. The format is t_A , where *subscript A* indicates the type of dynamic parameter being represented. One of the following is used: t_{pd} = propagation delay time, t_d (t_{en} , t_{dis}) = delay time, t_{su} = setup time, and t_h = hold time.

PARAMETER		ALTERNATE SYMBOL	TEST CONDITIONS	MIN	MAX	UNIT
t_{pd}	PCLK-to-shared signal valid delay time	t_{val}	$C_L = 50$ pF, See Note 4		11	ns
	PCLK-to-shared signal invalid delay time	t_{inv}		2		
t_{en}	Enable time, high impedance-to-active delay time from PCLK	t_{on}		2		ns
t_{dis}	Disable time, active-to-high impedance delay time from PCLK	t_{off}			28	ns
t_{su}	Setup time before PCLK valid	t_{su}		7		ns
t_h	Hold time after PCLK high	t_h		0		ns

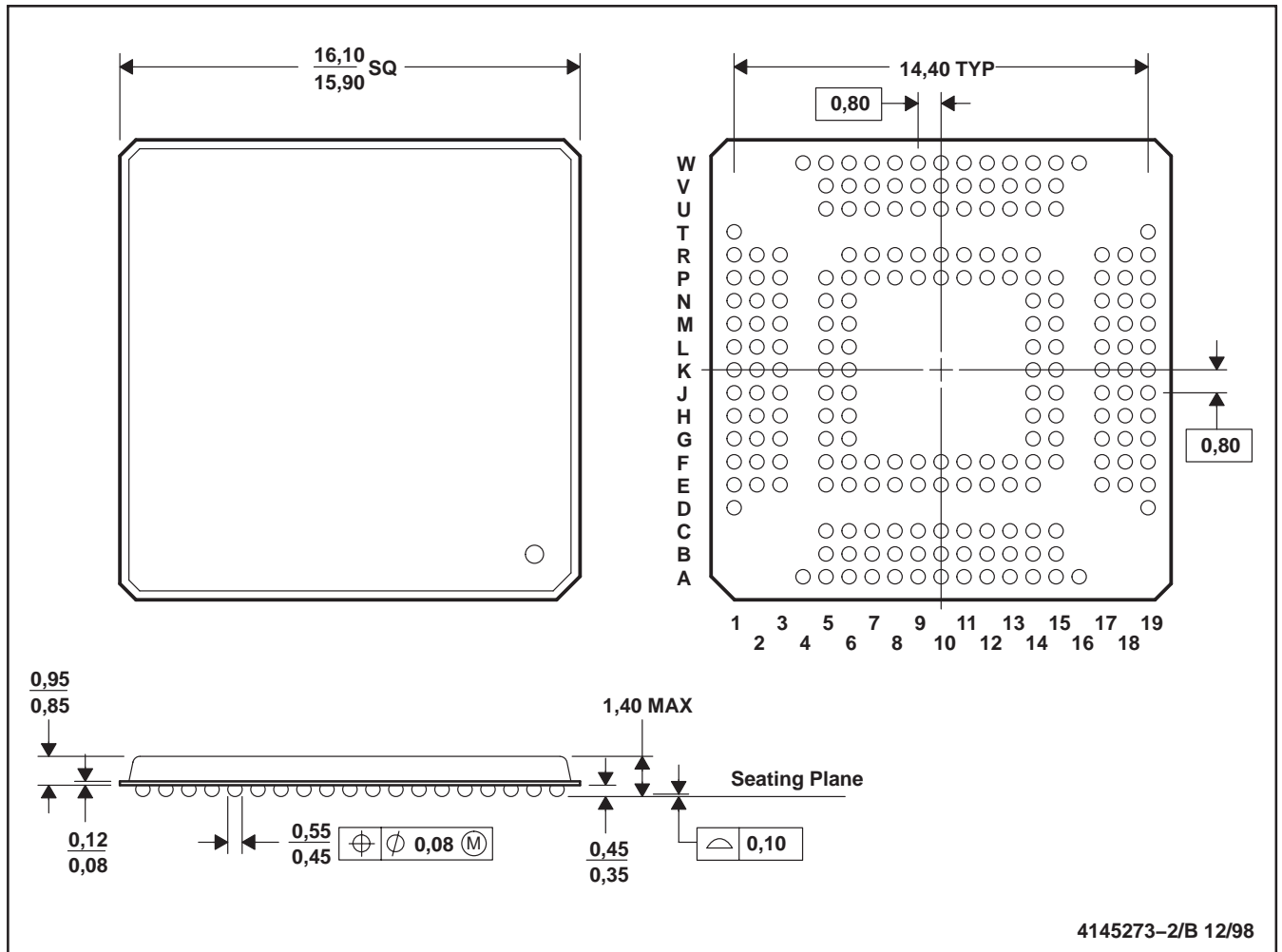
NOTE 4: PCI shared signals are AD31–AD0, C/BE3–C/BE0, FRAME, TRDY, IRDY, STOP, IDSEL, DEVSEL, and PAR.

13 Mechanical Information

The PCI7510 is packaged in either a 209-ball GHK BGA or a 208-pin PDV package. The following shows the mechanical dimensions for the GHK and PDV packages.

GHK (S-PBGA-N209)

PLASTIC BALL GRID ARRAY

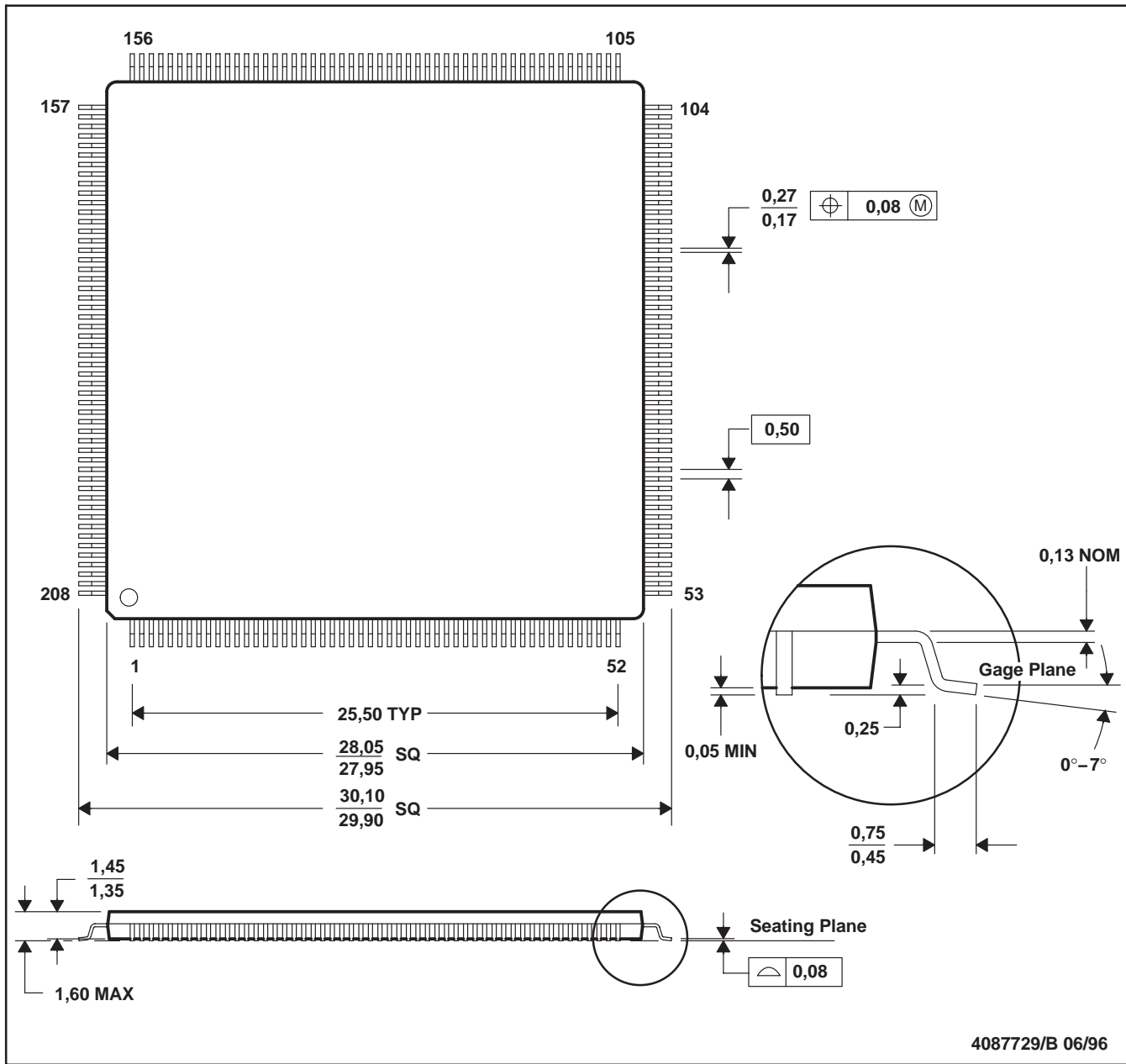


- NOTES: B. All linear dimensions are in millimeters.
 C. This drawing is subject to change without notice.
 D. MicroStar BGA™ configuration.

MicroStar BGA is a trademark of Texas Instruments.

PDV (S-PQFP-G208)

PLASTIC QUAD FLATPACK



- NOTES: A. All linear dimensions are in millimeters.
 B. This drawing is subject to change without notice.
 C. Falls within JEDEC MO-136