

Kinetis KL24 Sub-Family

48 MHz Cortex-M0+ Based Microcontroller with USB

Designed with efficiency in mind. Compatible with all other Kinetis L families as well as Kinetis K2x family. General purpose MCU with USB 2.0, featuring market leading ultra low-power to provide developers an appropriate entry-level 32-bit solution.

This product offers:

- Run power consumption down to 47 $\mu\text{A}/\text{MHz}$ in very low power run mode
- Static power consumption down to 2 μA with full state retention and 4 μs wakeup
- Ultra-efficient Cortex-M0+ processor running up to 48 MHz with industry leading throughput
- Memory option is up to 128 KB flash and 16 KB RAM
- Energy-saving architecture is optimized for low power with 90 nm TFS technology, clock and power gating techniques, and zero wait state flash memory controller

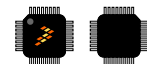
MKL24ZxxVFM4
MKL24ZxxVFT4
MKL24ZxxVLH4
MKL24ZxxVLK4



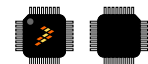
32-pin QFN (FM)
5 x 5 x 1 Pitch 0.5 mm



48-pin QFN (FT)
7 x 7 x 1 Pitch 0.5 mm



64-pin LQFP (LH)
10 x 10 x 1.4 Pitch 0.5 mm



80-pin LQFP (LK)
12 x 12 x 1.4 Pitch 0.5 mm

Performance

- 48 MHz ARM[®] Cortex[®]-M0+ core

Memories and memory interfaces

- Up to 64 KB program flash memory
- Up to 8 KB SRAM

System peripherals

- Nine low-power modes to provide power optimization based on application requirements
- COP Software watchdog
- 4-channel DMA controller, supporting up to 63 request sources
- Low-leakage wakeup unit
- SWD debug interface and Micro Trace Buffer
- Bit Manipulation Engine

Clocks

- 32 kHz to 40 kHz or 3 MHz to 32 MHz crystal oscillator
- Multi-purpose clock source
- 1 kHz LPO clock

Operating Characteristics

- Voltage range: 1.71 to 3.6 V

Human-machine interface

- Up to 66 general-purpose input/output (GPIO)

Communication interfaces

- USB full-/low-speed On-the-Go controller with on-chip transceiver and 5 V to 3.3 V regulator
- Two 8-bit SPI modules
- One low power UART module
- Two UART modules
- Two I2C module

Analog Modules

- 12-bit SAR ADC
- Analog comparator (CMP) containing a 6-bit DAC and programmable reference input

Timers

- Six channel Timer/PWM (TPM)
- Two 2-channel Timer/PWM modules
- Periodic interrupt timers
- 16-bit low-power timer (LPTMR)
- Real time clock

Security and integrity modules

- 80-bit unique identification number per chip

- Flash write voltage range: 1.71 to 3.6 V
- Temperature range (ambient): -40 to 105°C

Ordering Information

| Part Number | Memory | | Maximum number of I/O's |
|--------------|------------|-----------|-------------------------|
| | Flash (KB) | SRAM (KB) | |
| MKL24Z32VFM4 | 32 | 4 | 23 |
| MKL24Z64VFM4 | 64 | 8 | 23 |
| MKL24Z32VFT4 | 32 | 4 | 36 |
| MKL24Z64VFT4 | 64 | 8 | 36 |
| MKL24Z32VLH4 | 32 | 4 | 50 |
| MKL24Z64VLH4 | 64 | 8 | 50 |
| MKL24Z32VLK4 | 32 | 4 | 66 |
| MKL24Z64VLK4 | 64 | 8 | 66 |

Related Resources

| Type | Description | Resource |
|------------------|--|--|
| Selector Guide | The Freescale Solution Advisor is a web-based tool that features interactive application wizards and a dynamic product selector. | Solution Advisor |
| Product Brief | The Product Brief contains concise overview/summary information to enable quick evaluation of a device for design suitability. | KL2 Family Product Brief ¹ |
| Reference Manual | The Reference Manual contains a comprehensive description of the structure and function (operation) of a device. | KL24P80M48SF0RM ¹ |
| Data Sheet | The Data Sheet includes electrical characteristics and signal connections. | KL24P80M48SF0 ¹ |
| Chip Errata | The chip mask set Errata provides additional or corrective information for a particular device mask set. | KINETIS_L_xN97F ² |
| Package drawing | Package dimensions are provided in package drawings. | QFN 32-pin: 98ASA00473D ¹ QFN 48-pin: 98ASA00466D ¹ LQFP 64-pin: 98ASS23234W ¹ LQFP 80-pin: 98ASS23174W ¹ |

1. To find the associated resource, go to <http://www.freescale.com> and perform a search using this term.
2. To find the associated resource, go to <http://www.freescale.com> and perform a search using this term with the “x” replaced by the revision of the device you are using.

Figure 1 shows the functional modules in the chip.

Kinetis KL24 Family

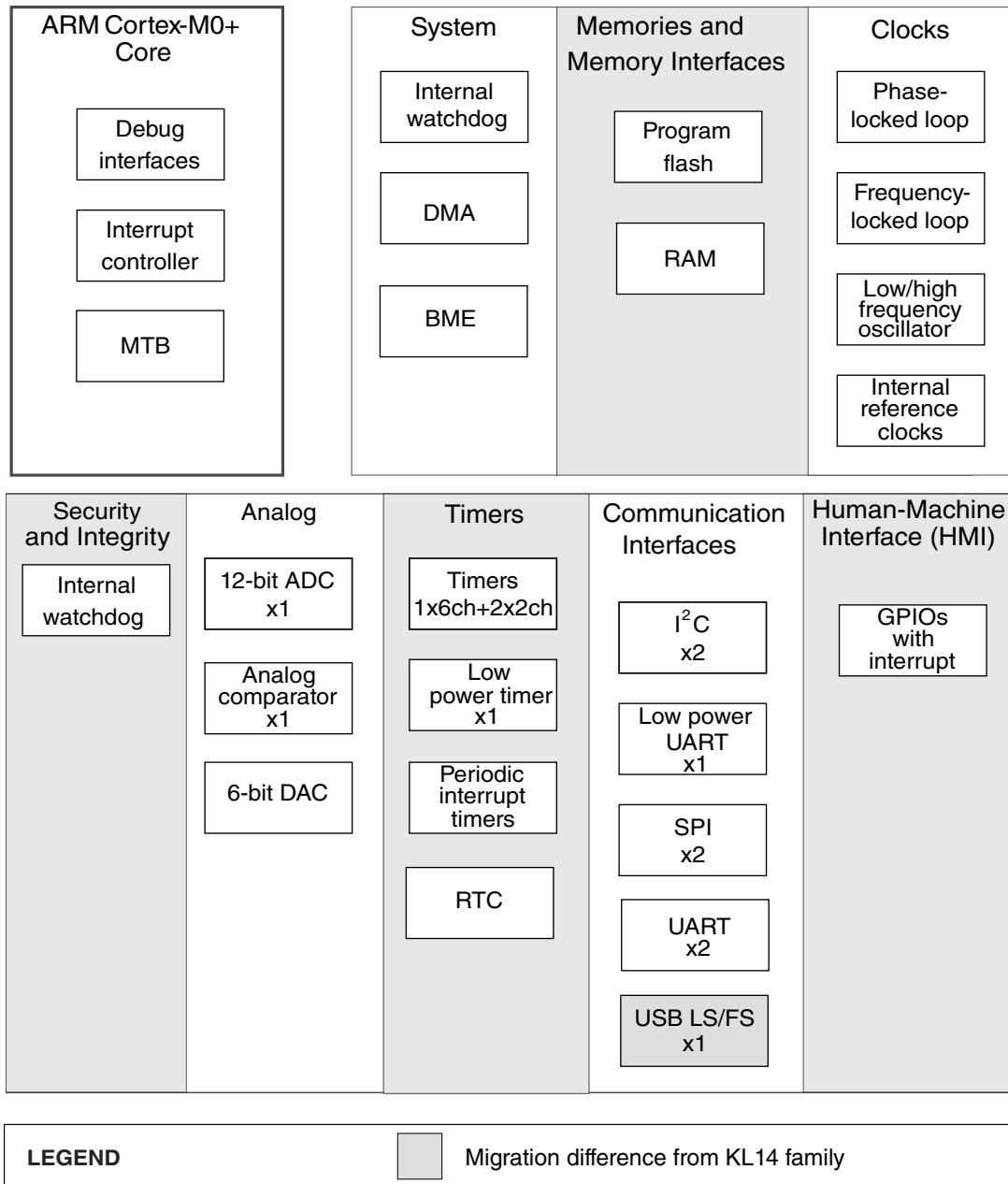


Figure 1. Functional block diagram

Table of Contents

| | | | |
|--|----|--|----|
| 1 Ratings..... | 5 | 3.6.1 ADC electrical specifications..... | 27 |
| 1.1 Thermal handling ratings..... | 5 | 3.6.2 CMP and 6-bit DAC electrical specifications..... | 30 |
| 1.2 Moisture handling ratings..... | 5 | 3.7 Timers..... | 32 |
| 1.3 ESD handling ratings..... | 5 | 3.8 Communication interfaces..... | 32 |
| 1.4 Voltage and current operating ratings..... | 5 | 3.8.1 USB electrical specifications..... | 32 |
| 2 General..... | 6 | 3.8.2 USB VREG electrical specifications..... | 32 |
| 2.1 AC electrical characteristics..... | 6 | 3.8.3 SPI switching specifications..... | 33 |
| 2.2 Nonswitching electrical specifications..... | 7 | 3.8.4 Inter-Integrated Circuit Interface (I2C) timing..... | 37 |
| 2.2.1 Voltage and current operating requirements..... | 7 | 3.8.5 UART..... | 39 |
| 2.2.2 LVD and POR operating requirements..... | 7 | 4 Dimensions..... | 39 |
| 2.2.3 Voltage and current operating behaviors..... | 8 | 4.1 Obtaining package dimensions..... | 39 |
| 2.2.4 Power mode transition operating behaviors..... | 9 | 5 Pinout..... | 39 |
| 2.2.5 Power consumption operating behaviors..... | 10 | 5.1 KL24 Signal Multiplexing and Pin Assignments..... | 39 |
| 2.2.6 EMC radiated emissions operating behaviors..... | 16 | 5.2 KL24 pinouts..... | 42 |
| 2.2.7 Designing with radiated emissions in mind..... | 17 | 6 Ordering parts..... | 46 |
| 2.2.8 Capacitance attributes..... | 17 | 6.1 Determining valid orderable parts..... | 46 |
| 2.3 Switching specifications..... | 17 | 7 Part identification..... | 46 |
| 2.3.1 Device clock specifications..... | 17 | 7.1 Description..... | 47 |
| 2.3.2 General switching specifications..... | 18 | 7.2 Format..... | 47 |
| 2.4 Thermal specifications..... | 18 | 7.3 Fields..... | 47 |
| 2.4.1 Thermal operating requirements..... | 18 | 7.4 Example..... | 47 |
| 2.4.2 Thermal attributes..... | 19 | 8 Terminology and guidelines..... | 48 |
| 3 Peripheral operating requirements and behaviors..... | 19 | 8.1 Definition: Operating requirement..... | 48 |
| 3.1 Core modules..... | 19 | 8.2 Definition: Operating behavior..... | 48 |
| 3.1.1 SWD electricals | 19 | 8.3 Definition: Attribute..... | 48 |
| 3.2 System modules..... | 21 | 8.4 Definition: Rating..... | 49 |
| 3.3 Clock modules..... | 21 | 8.5 Result of exceeding a rating..... | 49 |
| 3.3.1 MCG specifications..... | 21 | 8.6 Relationship between ratings and operating requirements..... | 50 |
| 3.3.2 Oscillator electrical specifications..... | 23 | 8.7 Guidelines for ratings and operating requirements..... | 50 |
| 3.4 Memories and memory interfaces..... | 25 | 8.8 Definition: Typical value..... | 51 |
| 3.4.1 Flash electrical specifications..... | 25 | 8.9 Typical value conditions..... | 52 |
| 3.5 Security and integrity modules..... | 27 | 9 Revision history..... | 52 |
| 3.6 Analog..... | 27 | | |

1 Ratings

1.1 Thermal handling ratings

Table 1. Thermal handling ratings

| Symbol | Description | Min. | Max. | Unit | Notes |
|------------------|-------------------------------|------|------|------|-------|
| T _{STG} | Storage temperature | -55 | 150 | °C | 1 |
| T _{SDR} | Solder temperature, lead-free | — | 260 | °C | 2 |

1. Determined according to JEDEC Standard JESD22-A103, *High Temperature Storage Life*.
2. Determined according to IPC/JEDEC Standard J-STD-020, *Moisture/Reflow Sensitivity Classification for Nonhermetic Solid State Surface Mount Devices*.

1.2 Moisture handling ratings

Table 2. Moisture handling ratings

| Symbol | Description | Min. | Max. | Unit | Notes |
|--------|----------------------------|------|------|------|-------|
| MSL | Moisture sensitivity level | — | 3 | — | 1 |

1. Determined according to IPC/JEDEC Standard J-STD-020, *Moisture/Reflow Sensitivity Classification for Nonhermetic Solid State Surface Mount Devices*.

1.3 ESD handling ratings

Table 3. ESD handling ratings

| Symbol | Description | Min. | Max. | Unit | Notes |
|------------------|---|-------|-------|------|-------|
| V _{HBM} | Electrostatic discharge voltage, human body model | -2000 | +2000 | V | 1 |
| V _{CDM} | Electrostatic discharge voltage, charged-device model | -500 | +500 | V | 2 |
| I _{LAT} | Latch-up current at ambient temperature of 105 °C | -100 | +100 | mA | 3 |

1. Determined according to JEDEC Standard JESD22-A114, *Electrostatic Discharge (ESD) Sensitivity Testing Human Body Model (HBM)*.
2. Determined according to JEDEC Standard JESD22-C101, *Field-Induced Charged-Device Model Test Method for Electrostatic-Discharge-Withstand Thresholds of Microelectronic Components*.
3. Determined according to JEDEC Standard JESD78, *IC Latch-Up Test*.

1.4 Voltage and current operating ratings

Table 4. Voltage and current operating ratings

| Symbol | Description | Min. | Max. | Unit |
|---------------|---|----------------|----------------|------|
| V_{DD} | Digital supply voltage | -0.3 | 3.8 | V |
| I_{DD} | Digital supply current | — | 120 | mA |
| V_{IO} | IO pin input voltage | -0.3 | $V_{DD} + 0.3$ | V |
| I_D | Instantaneous maximum current single pin limit (applies to all port pins) | -25 | 25 | mA |
| V_{DDA} | Analog supply voltage | $V_{DD} - 0.3$ | $V_{DD} + 0.3$ | V |
| V_{USB_DP} | USB_DP input voltage | -0.3 | 3.63 | V |
| V_{USB_DM} | USB_DM input voltage | -0.3 | 3.63 | V |
| V_{REGIN} | USB regulator input | -0.3 | 6.0 | V |

2 General

2.1 AC electrical characteristics

Unless otherwise specified, propagation delays are measured from the 50% to the 50% point, and rise and fall times are measured at the 20% and 80% points, as shown in the following figure.

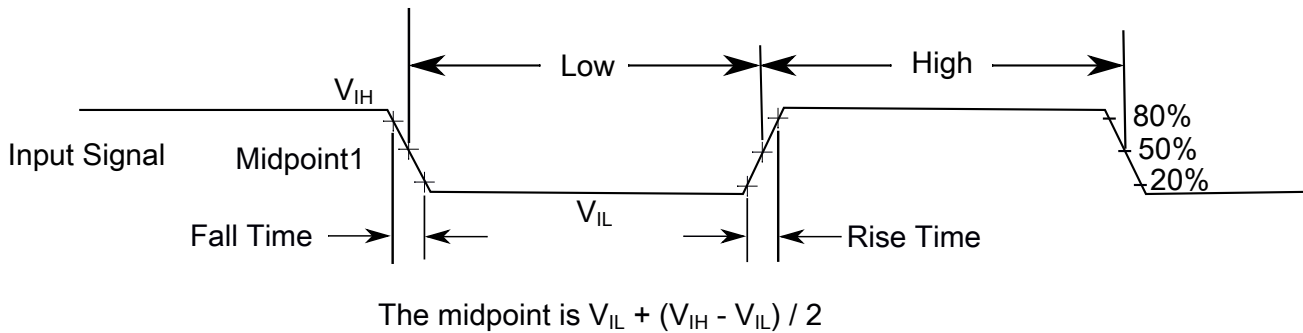


Figure 2. Input signal measurement reference

All digital I/O switching characteristics, unless otherwise specified, assume the output pins have the following characteristics.

- $C_L=30$ pF loads
- Slew rate disabled
- Normal drive strength

2.2 Nonswitching electrical specifications

2.2.1 Voltage and current operating requirements

Table 5. Voltage and current operating requirements

| Symbol | Description | Min. | Max. | Unit | Notes |
|--------------------|---|---|---|--------|-------|
| V_{DD} | Supply voltage | 1.71 | 3.6 | V | |
| V_{DDA} | Analog supply voltage | 1.71 | 3.6 | V | — |
| $V_{DD} - V_{DDA}$ | V_{DD} -to- V_{DDA} differential voltage | -0.1 | 0.1 | V | — |
| $V_{SS} - V_{SSA}$ | V_{SS} -to- V_{SSA} differential voltage | -0.1 | 0.1 | V | — |
| V_{IH} | Input high voltage <ul style="list-style-type: none"> • $2.7\text{ V} \leq V_{DD} \leq 3.6\text{ V}$ • $1.7\text{ V} \leq V_{DD} \leq 2.7\text{ V}$ | $0.7 \times V_{DD}$ $0.75 \times V_{DD}$ | — — | V V | — |
| V_{IL} | Input low voltage <ul style="list-style-type: none"> • $2.7\text{ V} \leq V_{DD} \leq 3.6\text{ V}$ • $1.7\text{ V} \leq V_{DD} \leq 2.7\text{ V}$ | — — | $0.35 \times V_{DD}$ $0.3 \times V_{DD}$ | V V | — |
| V_{HYS} | Input hysteresis | $0.06 \times V_{DD}$ | — | V | — |
| I_{ICIO} | IO pin negative DC injection current—single pin <ul style="list-style-type: none"> • $V_{IN} < V_{SS}-0.3\text{V}$ | -3 | — | mA | 1 |
| I_{ICcont} | Contiguous pin DC injection current —regional limit, includes sum of negative injection currents of 16 contiguous pins <ul style="list-style-type: none"> • Negative current injection | -25 | — | mA | — |
| V_{ODPU} | Open drain pullup voltage level | V_{DD} | V_{DD} | V | 2 |
| V_{RAM} | V_{DD} voltage required to retain RAM | 1.2 | — | V | — |

- All I/O pins are internally clamped to V_{SS} through a ESD protection diode. There is no diode connection to V_{DD} . If V_{IN} greater than V_{IO_MIN} ($= V_{SS}-0.3\text{ V}$) is observed, then there is no need to provide current limiting resistors at the pads. If this limit cannot be observed then a current limiting resistor is required. The negative DC injection current limiting resistor is calculated as $R = (V_{IO_MIN} - V_{IN})/|I_{ICIO}|$.
- Open drain outputs must be pulled to V_{DD} .

2.2.2 LVD and POR operating requirements

Table 6. V_{DD} supply LVD and POR operating requirements

| Symbol | Description | Min. | Typ. | Max. | Unit | Notes |
|-----------|-------------------------------------|------|------|------|------|-------|
| V_{POR} | Falling V_{DD} POR detect voltage | 0.8 | 1.1 | 1.5 | V | — |

Table continues on the next page...

Table 6. V_{DD} supply LVD and POR operating requirements (continued)

| Symbol | Description | Min. | Typ. | Max. | Unit | Notes |
|-------------|--|------|------|------|------|-------|
| V_{LVDH} | Falling low-voltage detect threshold — high range (LVDV = 01) | 2.48 | 2.56 | 2.64 | V | — |
| V_{LVW1H} | Low-voltage warning thresholds — high range <ul style="list-style-type: none"> Level 1 falling (LVWV = 00) Level 2 falling (LVWV = 01) Level 3 falling (LVWV = 10) Level 4 falling (LVWV = 11) | 2.62 | 2.70 | 2.78 | V | 1 |
| V_{LVW2H} | | 2.72 | 2.80 | 2.88 | V | |
| V_{LVW3H} | | 2.82 | 2.90 | 2.98 | V | |
| V_{LVW4H} | | 2.92 | 3.00 | 3.08 | V | |
| V_{HYSH} | Low-voltage inhibit reset/recover hysteresis — high range | — | ±60 | — | mV | — |
| V_{LVDL} | Falling low-voltage detect threshold — low range (LVDV=00) | 1.54 | 1.60 | 1.66 | V | — |
| V_{LVW1L} | Low-voltage warning thresholds — low range <ul style="list-style-type: none"> Level 1 falling (LVWV = 00) Level 2 falling (LVWV = 01) Level 3 falling (LVWV = 10) Level 4 falling (LVWV = 11) | 1.74 | 1.80 | 1.86 | V | 1 |
| V_{LVW2L} | | 1.84 | 1.90 | 1.96 | V | |
| V_{LVW3L} | | 1.94 | 2.00 | 2.06 | V | |
| V_{LVW4L} | | 2.04 | 2.10 | 2.16 | V | |
| V_{HYSL} | Low-voltage inhibit reset/recover hysteresis — low range | — | ±40 | — | mV | — |
| V_{BG} | Bandgap voltage reference | 0.97 | 1.00 | 1.03 | V | — |
| t_{LPO} | Internal low power oscillator period — factory trimmed | 900 | 1000 | 1100 | μs | — |

1. Rising thresholds are falling threshold + hysteresis voltage

2.2.3 Voltage and current operating behaviors

Table 7. Voltage and current operating behaviors

| Symbol | Description | Min. | Max. | Unit | Notes |
|-----------|---|----------------------------------|--------|--------|-------|
| V_{OH} | Output high voltage — Normal drive pad (except RESET) <ul style="list-style-type: none"> $2.7\text{ V} \leq V_{DD} \leq 3.6\text{ V}$, $I_{OH} = -5\text{ mA}$ $1.71\text{ V} \leq V_{DD} \leq 2.7\text{ V}$, $I_{OH} = -1.5\text{ mA}$ | $V_{DD} - 0.5$ $V_{DD} - 0.5$ | — — | V V | 1, 2 |
| V_{OH} | Output high voltage — High drive pad (except RESET) <ul style="list-style-type: none"> $2.7\text{ V} \leq V_{DD} \leq 3.6\text{ V}$, $I_{OH} = -18\text{ mA}$ $1.71\text{ V} \leq V_{DD} \leq 2.7\text{ V}$, $I_{OH} = -6\text{ mA}$ | $V_{DD} - 0.5$ $V_{DD} - 0.5$ | — — | V V | 1, 2 |
| I_{OHT} | Output high current total for all ports | — | 100 | mA | — |

Table continues on the next page...

Table 7. Voltage and current operating behaviors (continued)

| Symbol | Description | Min. | Max. | Unit | Notes |
|------------------|---|------|-------|------|-------|
| V _{OL} | Output low voltage — Normal drive pad <ul style="list-style-type: none"> • 2.7 V ≤ V_{DD} ≤ 3.6 V, I_{OL} = 5 mA • 1.71 V ≤ V_{DD} ≤ 2.7 V, I_{OL} = 1.5 mA | — | 0.5 | V | 1 |
| | | — | 0.5 | V | |
| V _{OL} | Output low voltage — High drive pad <ul style="list-style-type: none"> • 2.7 V ≤ V_{DD} ≤ 3.6 V, I_{OL} = 18 mA • 1.71 V ≤ V_{DD} ≤ 2.7 V, I_{OL} = 6 mA | — | 0.5 | V | 1 |
| | | — | 0.5 | V | |
| I _{OLT} | Output low current total for all ports | — | 100 | mA | — |
| I _{IN} | Input leakage current (per pin) for full temperature range | — | 1 | μA | 3 |
| I _{IN} | Input leakage current (per pin) at 25 °C | — | 0.025 | μA | 3 |
| I _{IN} | Input leakage current (total all pins) for full temperature range | — | 65 | μA | 3 |
| I _{OZ} | Hi-Z (off-state) leakage current (per pin) | — | 1 | μA | — |
| R _{PU} | Internal pullup resistors | 20 | 50 | kΩ | 4 |
| R _{PD} | Internal pulldown resistors | 20 | 50 | kΩ | 5 |

1. PTB0, PTB1, PTD6, and PTD7 I/O have both high drive and normal drive capability selected by the associated PTx_PCRn[DSE] control bit. All other GPIOs are normal drive only.
2. The reset pin only contains an active pull down device when configured as the RESET signal or as a GPIO. When configured as a GPIO output, it acts as a pseudo open drain output.
3. Measured at V_{DD} = 3.6 V
4. Measured at V_{DD} supply voltage = V_{DD} min and V_{input} = V_{SS}
5. Measured at VDD supply voltage = VDD min and V_{input} = VDD

2.2.4 Power mode transition operating behaviors

All specifications except t_{POR} and VLLSx→RUN recovery times in the following table assume this clock configuration:

- CPU and system clocks = 48 MHz
- Bus and flash clock = 24 MHz
- FEI clock mode

POR and VLLSx→RUN recovery use FEI clock mode at the default CPU and system frequency of 21 MHz, and a bus and flash clock frequency of 10.5 MHz.

Table 8. Power mode transition operating behaviors

| Symbol | Description | Min. | Typ. | Max. | Unit | Notes |
|------------------|--|------|------|------|------|-------|
| t _{POR} | After a POR event, amount of time from the point V _{DD} reaches 1.8 V to execution of the first | — | — | 300 | μs | 1 |

Table continues on the next page...

Table 8. Power mode transition operating behaviors (continued)

| Symbol | Description | Min. | Typ. | Max. | Unit | |
|--------|---|------|------|------|------|--|
| | instruction across the operating temperature range of the chip. | | | | | |
| | • VLLS0 → RUN | — | 95 | 115 | μs | |
| | • VLLS1 → RUN | — | 93 | 115 | μs | |
| | • VLLS3 → RUN | — | 42 | 53 | μs | |
| | • LLS → RUN | — | 4 | 4.6 | μs | |
| | • VLPS → RUN | — | 4 | 4.4 | μs | |
| | • STOP → RUN | — | 4 | 4.4 | μs | |

1. Normal boot (FTFA_FOFT[LPBOOT]=11).

2.2.5 Power consumption operating behaviors

The maximum values stated in the following table represent characterized results equivalent to the mean plus three times the standard deviation (mean + 3 sigma).

Table 9. Power consumption operating behaviors

| Symbol | Description | Temp. | Typ. | Max | Unit | Note |
|--------------------------|---|-------|------|----------|------|------|
| I _{DDA} | Analog supply current | — | — | See note | mA | 1 |
| I _{DD_RUNCO_CM} | Run mode current in compute operation - 48 MHz core / 24 MHz flash/ bus disabled, LPTMR running using 4 MHz internal reference clock, CoreMark® benchmark code executing from flash, at 3.0 V | — | 6.4 | — | mA | 2 |
| I _{DD_RUNCO} | Run mode current in compute operation - 48 MHz core / 24 MHz flash / bus clock disabled, code of while(1) loop executing from flash, at 3.0 V | — | 3.9 | 4.8 | mA | 3 |
| I _{DD_RUN} | Run mode current - 48 MHz core / 24 MHz bus and flash, all peripheral clocks disabled, code executing from flash, at 3.0 V | — | 5 | 5.9 | mA | 3 |

Table continues on the next page...

Table 9. Power consumption operating behaviors (continued)

| Symbol | Description | Temp. | Typ. | Max | Unit | Note |
|---------------------------|---|-----------|------|-------|------|------|
| I _{DD_RUN} | Run mode current - 48 MHz core / 24 MHz bus and flash, all peripheral clocks enabled, code executing from flash, at 3.0 V | at 25 °C | 6.2 | 6.5 | mA | 3, 4 |
| | | at 125 °C | 6.8 | 7.1 | mA | |
| I _{DD_WAIT} | Wait mode current - core disabled / 48 MHz system / 24 MHz bus / flash disabled (flash doze enabled), all peripheral clocks disabled, at 3.0 V | — | 3.1 | 3.8 | mA | 3 |
| I _{DD_WAIT} | Wait mode current - core disabled / 24 MHz system / 24 MHz bus / flash disabled (flash doze enabled), all peripheral clocks disabled • at 3.0 V | — | 2.4 | 3.2 | mA | 3 |
| I _{DD_PSTOP2} | Stop mode current with partial stop 2 clocking option - core and system disabled / 10.5 MHz bus, at 3.0 V | — | 1.6 | 2 | mA | 3 |
| I _{DD_VLPRCO_CM} | Very-low-power run mode current in compute operation - 4 MHz core / 0.8 MHz flash / bus clock disabled, LPTMR running with 4 MHz internal reference clock, CoreMark benchmark code executing from flash, at 3.0 V | — | 777 | — | μA | 5 |
| I _{DD_VLPRCO} | Very low power run mode current in compute operation - 4 MHz core / 0.8 MHz flash / bus clock disabled, code executing from flash, at 3.0 V | — | 171 | 420 | μA | 6 |
| I _{DD_VLPR} | Very low power run mode current - 4 MHz core / 0.8 MHz bus and flash, all peripheral clocks disabled, code executing from flash, at 3.0 V | — | 204 | 449 | μA | 6 |
| I _{DD_VLPR} | Very low power run mode current - 4 MHz core / 0.8 MHz bus and flash, all peripheral clocks enabled, code executing from flash, at 3.0 V | — | 262 | 509 | μA | 4, 6 |
| I _{DD_VLPW} | Very low power wait mode current - core disabled / 4 MHz system / 0.8 MHz bus / flash disabled (flash doze enabled), all peripheral clocks disabled, at 3.0 V | — | 123 | 366 | μA | 6 |
| I _{DD_STOP} | Stop mode current at 3.0 V | at 25 °C | 319 | 343 | μA | — |
| | | at 50 °C | 333 | 365 | μA | |
| | | at 70 °C | 353 | 400 | μA | |
| | | at 85 °C | 380 | 450 | μA | |
| | | at 105 °C | 444 | 572 | μA | |
| I _{DD_VLPS} | Very-low-power stop mode current at 3.0 V | at 25 °C | 3.75 | 8.46 | μA | — |
| | | at 50 °C | 6.66 | 13.41 | μA | |
| | | at 70 °C | 12.9 | 25.71 | μA | |

Table continues on the next page...

Table 9. Power consumption operating behaviors (continued)

| Symbol | Description | Temp. | Typ. | Max | Unit | Note |
|-----------------------|---|-----------|-------|-------|------|------|
| | | at 85 °C | 22.7 | 44.06 | μA | |
| | | at 105 °C | 48.4 | 90.1 | μA | |
| I _{DD_LLS} | Low leakage stop mode current at 3.0 V | at 25 °C | 1.68 | 2.09 | μA | — |
| | | at 50 °C | 3.05 | 4.04 | μA | |
| | | at 70 °C | 5.71 | 7.75 | μA | |
| | | at 85 °C | 10 | 13.54 | μA | |
| | | at 105 °C | 22.4 | 30.41 | μA | |
| I _{DD_VLLS3} | Very low-leakage stop mode 3 current at 3.0 V | at 25 °C | 1.22 | 1.6 | μA | — |
| | | at 50 °C | 2.25 | 2.31 | μA | |
| | | at 70 °C | 4.21 | 5.44 | μA | |
| | | at 85 °C | 7.37 | 9.44 | μA | |
| | | at 105 °C | 16.6 | 21.76 | μA | |
| I _{DD_VLLS1} | Very low-leakage stop mode 1 current at 3.0 V | at 25 °C | 0.58 | 0.94 | μA | — |
| | | at 50 °C | 1.26 | 1.31 | μA | |
| | | at 70 °C | 2.53 | 3.33 | μA | |
| | | at 85 °C | 4.74 | 6.1 | μA | |
| | | at 105 °C | 11.4 | 15.27 | μA | |
| I _{DD_VLLS0} | Very low-leakage stop mode 0 current (SMC_STOPCTRL[PORPO] = 0) at 3.0 V | at 25 °C | 0.31 | 0.65 | μA | — |
| | | at 50 °C | 0.99 | 1.43 | μA | |
| | | at 70 °C | 2.25 | 3.01 | μA | |
| | | at 85 °C | 4.46 | 5.83 | μA | |
| | | at 105 °C | 11.13 | 14.99 | μA | |
| I _{DD_VLLS0} | Very low-leakage stop mode 0 current (SMC_STOPCTRL[PORPO] = 1) at 3.0 V | at 25 °C | 0.12 | 0.47 | μA | 7 |
| | | at 50 °C | 0.8 | 1.24 | μA | |
| | | at 70 °C | 2.06 | 2.81 | μA | |
| | | at 85 °C | 4.27 | 5.62 | μA | |
| | | at 105 °C | 10.93 | 14.78 | μA | |

1. The analog supply current is the sum of the active or disabled current for each of the analog modules on the device. See each module's specification for its supply current.
2. MCG configured for PEE mode. CoreMark benchmark compiled using Keil 4.54 with optimization level 3, optimized for time.
3. MCG configured for FEI mode.
4. Incremental current consumption from peripheral activity is not included.
5. MCG configured for BLPI mode. CoreMark benchmark compiled using IAR 6.40 with optimization level high, optimized for balanced.
6. MCG configured for BLPI mode.
7. No brownout.

Table 10. Low power mode peripheral adders — typical value

| Symbol | Description | Temperature (°C) | | | | | | Unit | |
|----------------------------|--|---|-----|-----|-----|-----|-----|------|----|
| | | -40 | 25 | 50 | 70 | 85 | 105 | | |
| I _{IREFSTEN4MHz} | 4 MHz internal reference clock (IRC) adder. Measured by entering STOP or VLPS mode with 4 MHz IRC enabled. | 56 | 56 | 56 | 56 | 56 | 56 | μA | |
| I _{IREFSTEN32KHz} | 32 kHz internal reference clock (IRC) adder. Measured by entering STOP mode with the 32 kHz IRC enabled. | 52 | 52 | 52 | 52 | 52 | 52 | μA | |
| I _{EREFSTEN4MHz} | External 4 MHz crystal clock adder. Measured by entering STOP or VLPS mode with the crystal enabled. | 206 | 228 | 237 | 245 | 251 | 258 | μA | |
| I _{IREFSTEN32KHz} | External 32 kHz crystal clock adder by means of the OSC0_CR[EREFSTEN and EREFSTEN] bits. Measured by entering all modes with the crystal enabled. | VLLS1 | 440 | 490 | 540 | 560 | 570 | 580 | nA |
| | | VLLS3 | 440 | 490 | 540 | 560 | 570 | 580 | |
| | | LLS | 490 | 490 | 540 | 560 | 570 | 680 | |
| | | VLPS | 510 | 560 | 560 | 560 | 610 | 680 | |
| | | STOP | 510 | 560 | 560 | 560 | 610 | 680 | |
| I _{CMP} | CMP peripheral adder measured by placing the device in VLLS1 mode with CMP enabled using the 6-bit DAC and a single external input for compare. Includes 6-bit DAC power consumption. | 22 | 22 | 22 | 22 | 22 | 22 | μA | |
| I _{RTC} | RTC peripheral adder measured by placing the device in VLLS1 mode with external 32 kHz crystal enabled by means of the RTC_CR[OSCE] bit and the RTC ALARM set for 1 minute. Includes ERCLK32K (32 kHz external crystal) power consumption. | 432 | 357 | 388 | 475 | 532 | 810 | nA | |
| I _{UART} | UART peripheral adder measured by placing the device in STOP or VLPS mode with selected clock source waiting for RX data at 115200 baud rate. Includes selected clock source power consumption. | MCGIRCLK (4 MHz internal reference clock) | 66 | 66 | 66 | 66 | 66 | 66 | μA |
| | | OSCERCLK (4 MHz external crystal) | 214 | 237 | 246 | 254 | 260 | 268 | |
| I _{TPM} | TPM peripheral adder measured by placing the device in STOP or VLPS mode with selected clock source configured for output compare generating 100 Hz clock signal. No load is placed on the I/O generating the clock signal. Includes selected clock source and I/O switching currents. | MCGIRCLK (4 MHz internal reference clock) | 86 | 86 | 86 | 86 | 86 | 86 | μA |
| | | OSCERCLK (4 MHz external crystal) | 235 | 256 | 265 | 274 | 280 | 287 | |

Table continues on the next page...

Table 10. Low power mode peripheral adders — typical value (continued)

| Symbol | Description | Temperature (°C) | | | | | | Unit |
|-----------|--|------------------|-----|-----|-----|-----|-----|---------|
| | | -40 | 25 | 50 | 70 | 85 | 105 | |
| I_{BG} | Bandgap adder when BGEN bit is set and device is placed in VLPx, LLS, or VLLSx mode. | 45 | 45 | 45 | 45 | 45 | 45 | μA |
| I_{ADC} | ADC peripheral adder combining the measured values at V_{DD} and V_{DDA} by placing the device in STOP or VLPS mode. ADC is configured for low power mode using the internal clock and continuous conversions. | 366 | 366 | 366 | 366 | 366 | 366 | μA |

2.2.5.1 Diagram: Typical I_{DD_RUN} operating behavior

The following data was measured under these conditions:

- MCG in FBE for run mode, and BLPE for VLPR mode
- USB regulator disabled
- No GPIOs toggled
- Code execution from flash with cache enabled
- For the ALLOFF curve, all peripheral clocks are disabled except FTFA

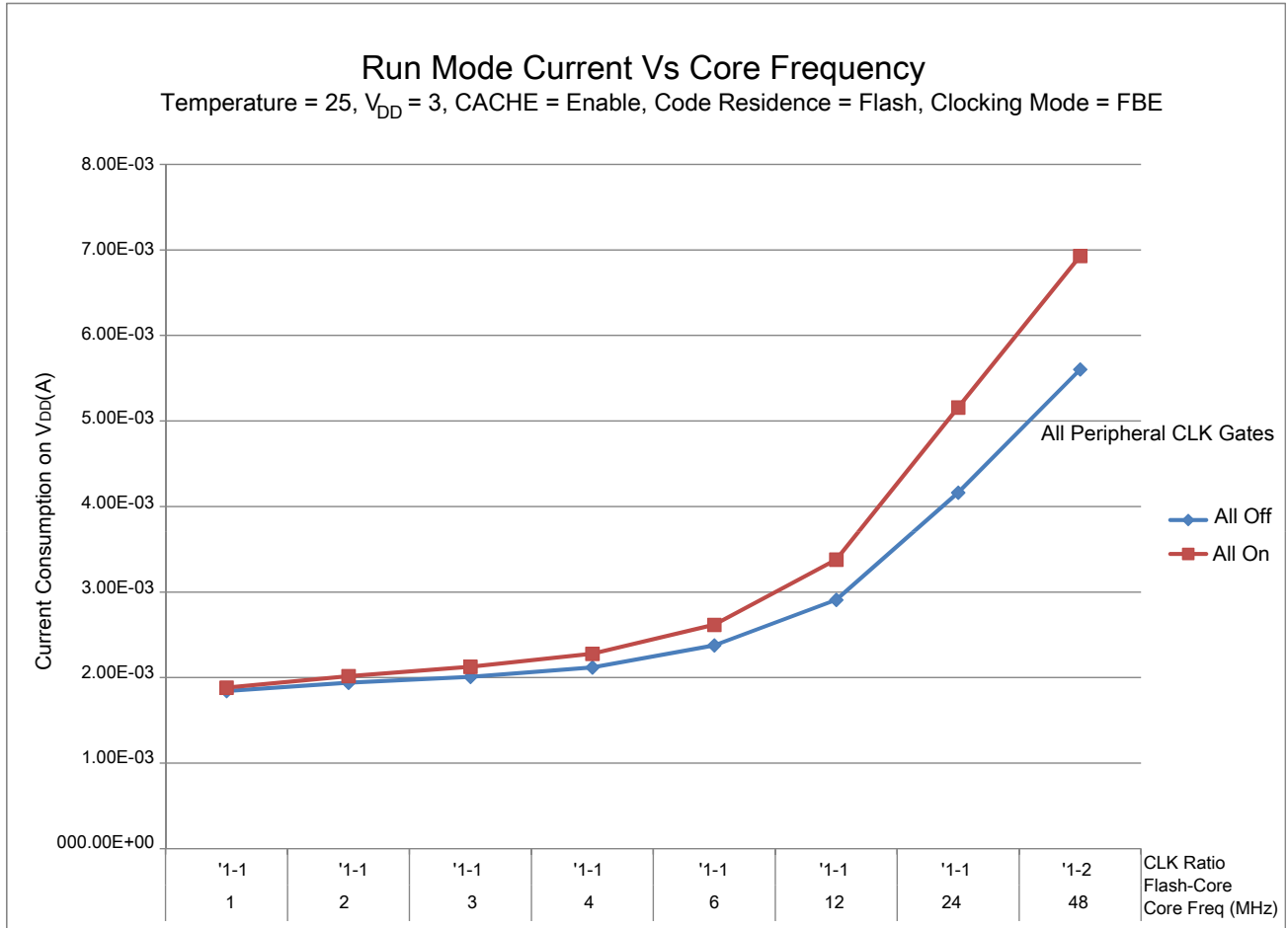


Figure 3. Run mode supply current vs. core frequency

General

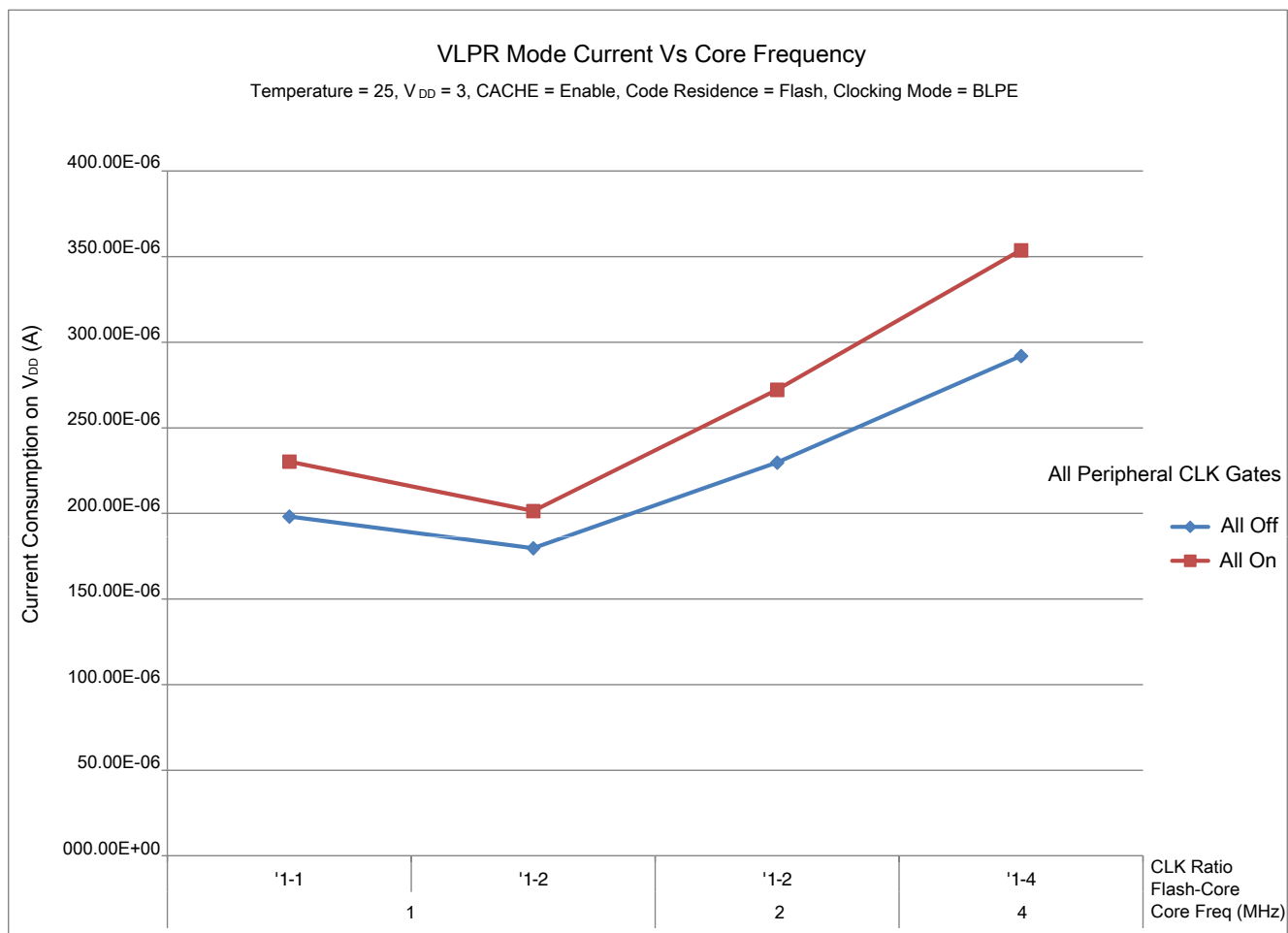


Figure 4. VLPR mode current vs. core frequency

2.2.6 EMC radiated emissions operating behaviors

Table 11. EMC radiated emissions operating behaviors for 64-pin LQFP package

| Symbol | Description | Frequency band (MHz) | Typ. | Unit | Notes |
|---------------------|------------------------------------|----------------------|------|------|-------|
| V _{RE1} | Radiated emissions voltage, band 1 | 0.15–50 | 13 | dBμV | 1, 2 |
| V _{RE2} | Radiated emissions voltage, band 2 | 50–150 | 15 | dBμV | |
| V _{RE3} | Radiated emissions voltage, band 3 | 150–500 | 12 | dBμV | |
| V _{RE4} | Radiated emissions voltage, band 4 | 500–1000 | 7 | dBμV | |
| V _{RE_IEC} | IEC level | 0.15–1000 | M | — | 2, 3 |

1. Determined according to IEC Standard 61967-1, *Integrated Circuits - Measurement of Electromagnetic Emissions, 150 kHz to 1 GHz Part 1: General Conditions and Definitions* and IEC Standard 61967-2, *Integrated Circuits - Measurement of Electromagnetic Emissions, 150 kHz to 1 GHz Part 2: Measurement of Radiated Emissions—TEM Cell and*

Wideband TEM Cell Method. Measurements were made while the microcontroller was running basic application code. The reported emission level is the value of the maximum measured emission, rounded up to the next whole number, from among the measured orientations in each frequency range.

2. $V_{DD} = 3.3\text{ V}$, $T_A = 25\text{ °C}$, $f_{OSC} = 8\text{ MHz}$ (crystal), $f_{SYS} = 48\text{ MHz}$, $f_{BUS} = 48\text{ MHz}$
3. Specified according to Annex D of IEC Standard 61967-2, *Measurement of Radiated Emissions—TEM Cell and Wideband TEM Cell Method*

2.2.7 Designing with radiated emissions in mind

To find application notes that provide guidance on designing your system to minimize interference from radiated emissions:

1. Go to www.freescale.com.
2. Perform a keyword search for “EMC design.”

2.2.8 Capacitance attributes

Table 12. Capacitance attributes

| Symbol | Description | Min. | Max. | Unit |
|----------|-------------------|------|------|------|
| C_{IN} | Input capacitance | — | 7 | pF |

2.3 Switching specifications

2.3.1 Device clock specifications

Table 13. Device clock specifications

| Symbol | Description | Min. | Max. | Unit |
|----------------------------------|--|------|------|------|
| Normal run mode | | | | |
| f_{SYS} | System and core clock | — | 48 | MHz |
| f_{BUS} | Bus clock | — | 24 | MHz |
| f_{FLASH} | Flash clock | — | 24 | MHz |
| f_{SYS_USB} | System and core clock when Full Speed USB in operation | 20 | — | MHz |
| f_{LPTMR} | LPTMR clock | — | 24 | MHz |
| VLPR and VLPS modes ¹ | | | | |
| f_{SYS} | System and core clock | — | 4 | MHz |
| f_{BUS} | Bus clock | — | 1 | MHz |
| f_{FLASH} | Flash clock | — | 1 | MHz |
| f_{LPTMR} | LPTMR clock ² | — | 24 | MHz |

Table continues on the next page...

Table 13. Device clock specifications (continued)

| Symbol | Description | Min. | Max. | Unit |
|--------------------------|---|------|------|------|
| f _{ERCLK} | External reference clock | — | 16 | MHz |
| f _{LPTMR_ERCLK} | LPTMR external reference clock | — | 16 | MHz |
| f _{osc_hi_2} | Oscillator crystal or resonator frequency — high frequency mode (high range) (MCG_C2[RANGE]=1x) | — | 16 | MHz |
| f _{TPM} | TPM asynchronous clock | — | 8 | MHz |
| f _{UART0} | UART0 asynchronous clock | — | 8 | MHz |

1. The frequency limitations in VLPR and VLPS modes here override any frequency specification listed in the timing specification for any other module. These same frequency limits apply to VLPS, whether VLPS was entered from RUN or from VLPR.
2. The LPTMR can be clocked at this speed in VLPR or VLPS only when the source is an external pin.

2.3.2 General switching specifications

These general-purpose specifications apply to all signals configured for GPIO and UART signals.

Table 14. General switching specifications

| Description | Min. | Max. | Unit | Notes |
|--|------|------|------------------|-------|
| GPIO pin interrupt pulse width (digital glitch filter disabled) — Synchronous path | 1.5 | — | Bus clock cycles | 1 |
| External RESET and NMI pin interrupt pulse width — Asynchronous path | 100 | — | ns | 2 |
| GPIO pin interrupt pulse width — Asynchronous path | 16 | — | ns | 2 |
| Port rise and fall time | — | 36 | ns | 3 |

1. The greater synchronous and asynchronous timing must be met.
2. This is the shortest pulse that is guaranteed to be recognized.
3. 75 pF load

2.4 Thermal specifications

2.4.1 Thermal operating requirements

Table 15. Thermal operating requirements

| Symbol | Description | Min. | Max. | Unit |
|----------------|--------------------------|------|------|------|
| T _J | Die junction temperature | −40 | 125 | °C |
| T _A | Ambient temperature | −40 | 105 | °C |

2.4.2 Thermal attributes

Table 16. Thermal attributes

| Board type | Symbol | Description | 80 LQFP | 64 LQFP | 48 QFN | 32 QFN | Unit | Notes |
|-------------------|------------------|---|---------|---------|--------|--------|------|-------|
| Single-layer (1S) | $R_{\theta JA}$ | Thermal resistance, junction to ambient (natural convection) | 70 | 71 | 84 | 92 | °C/W | 1 |
| Four-layer (2s2p) | $R_{\theta JA}$ | Thermal resistance, junction to ambient (natural convection) | 53 | 52 | 28 | 33 | °C/W | |
| Single-layer (1S) | $R_{\theta JMA}$ | Thermal resistance, junction to ambient (200 ft./min. air speed) | — | 59 | 69 | 75 | °C/W | |
| Four-layer (2s2p) | $R_{\theta JMA}$ | Thermal resistance, junction to ambient (200 ft./min. air speed) | — | 46 | 22 | 27 | °C/W | |
| — | $R_{\theta JB}$ | Thermal resistance, junction to board | 34 | 34 | 10 | 12 | °C/W | 2 |
| — | $R_{\theta JC}$ | Thermal resistance, junction to case | 15 | 20 | 2.0 | 1.8 | °C/W | 3 |
| — | Ψ_{JT} | Thermal characterization parameter, junction to package top outside center (natural convection) | 0.6 | 5 | 5.0 | 8 | °C/W | 4 |

1. Determined according to JEDEC Standard JESD51-2, *Integrated Circuits Thermal Test Method Environmental Conditions—Natural Convection (Still Air)*, or EIA/JEDEC Standard JESD51-6, *Integrated Circuit Thermal Test Method Environmental Conditions—Forced Convection (Moving Air)*.
2. Determined according to JEDEC Standard JESD51-8, *Integrated Circuit Thermal Test Method Environmental Conditions—Junction-to-Board*.
3. Determined according to Method 1012.1 of MIL-STD 883, *Test Method Standard, Microcircuits*, with the cold plate temperature used for the case temperature. The value includes the thermal resistance of the interface material between the top of the package and the cold plate.
4. Determined according to JEDEC Standard JESD51-2, *Integrated Circuits Thermal Test Method Environmental Conditions—Natural Convection (Still Air)*.

3 Peripheral operating requirements and behaviors

3.1 Core modules

3.1.1 SWD electricals

Table 17. SWD full voltage range electricals

| Symbol | Description | Min. | Max. | Unit |
|--------|---|------|------|------|
| | Operating voltage | 1.71 | 3.6 | V |
| J1 | SWD_CLK frequency of operation • Serial wire debug | 0 | 25 | MHz |
| J2 | SWD_CLK cycle period | 1/J1 | — | ns |
| J3 | SWD_CLK clock pulse width • Serial wire debug | 20 | — | ns |
| J4 | SWD_CLK rise and fall times | — | 3 | ns |
| J9 | SWD_DIO input data setup time to SWD_CLK rise | 10 | — | ns |
| J10 | SWD_DIO input data hold time after SWD_CLK rise | 0 | — | ns |
| J11 | SWD_CLK high to SWD_DIO data valid | — | 32 | ns |
| J12 | SWD_CLK high to SWD_DIO high-Z | 5 | — | ns |

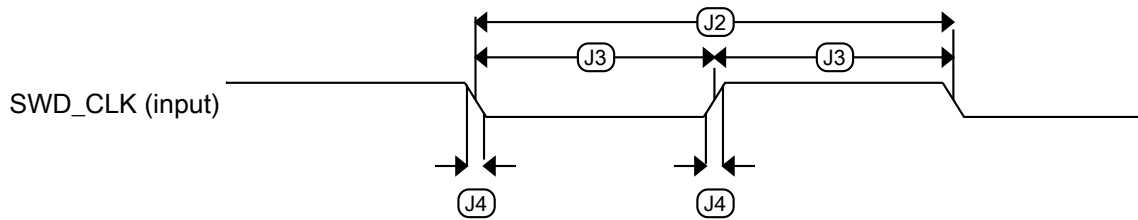


Figure 5. Serial wire clock input timing

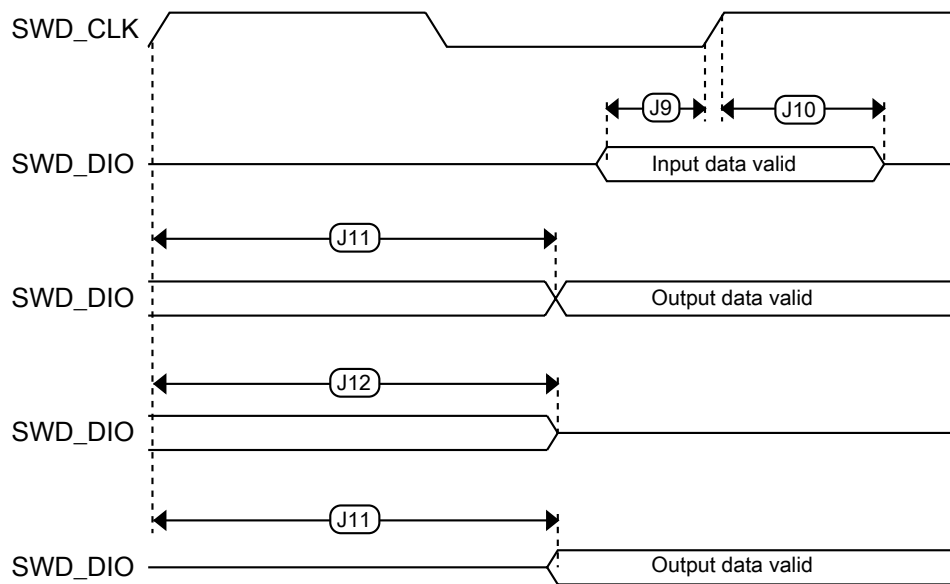


Figure 6. Serial wire data timing

3.2 System modules

There are no specifications necessary for the device's system modules.

3.3 Clock modules

3.3.1 MCG specifications

Table 18. MCG specifications

| Symbol | Description | Min. | Typ. | Max. | Unit | Notes |
|---------------------------------|--|-------|-----------|-----------|--------------------|-------|
| $f_{\text{ints_ft}}$ | Internal reference frequency (slow clock) — factory trimmed at nominal V_{DD} and 25 °C | — | 32.768 | — | kHz | |
| $f_{\text{ints_t}}$ | Internal reference frequency (slow clock) — user trimmed | 31.25 | — | 39.0625 | kHz | |
| $\Delta f_{\text{dco_res_t}}$ | Resolution of trimmed average DCO output frequency at fixed voltage and temperature — using C3[SCTRIM] and C4[SCFTRIM] | — | ± 0.3 | ± 0.6 | $\%f_{\text{dco}}$ | 1 |

Table continues on the next page...

Table 18. MCG specifications (continued)

| Symbol | Description | Min. | Typ. | Max. | Unit | Notes | |
|-----------------------|---|--|-----------|-----------|------------------|-------|------|
| Δf_{dco_t} | Total deviation of trimmed average DCO output frequency over voltage and temperature | — | +0.5/-0.7 | ± 3 | % f_{dco} | 1, 2 | |
| Δf_{dco_t} | Total deviation of trimmed average DCO output frequency over fixed voltage and temperature range of 0–70 °C | — | ± 0.4 | ± 1.5 | % f_{dco} | 1, 2 | |
| f_{intf_ft} | Internal reference frequency (fast clock) — factory trimmed at nominal V_{DD} and 25 °C | — | 4 | — | MHz | | |
| Δf_{intf_ft} | Frequency deviation of internal reference clock (fast clock) over temperature and voltage — factory trimmed at nominal V_{DD} and 25 °C | — | +1/-2 | ± 3 | % f_{intf_ft} | 2 | |
| f_{intf_t} | Internal reference frequency (fast clock) — user trimmed at nominal V_{DD} and 25 °C | 3 | — | 5 | MHz | | |
| f_{loc_low} | Loss of external clock minimum frequency — RANGE = 00 | $(3/5) \times f_{ints_t}$ | — | — | kHz | | |
| f_{loc_high} | Loss of external clock minimum frequency — RANGE = 01, 10, or 11 | $(16/5) \times f_{ints_t}$ | — | — | kHz | | |
| FLL | | | | | | | |
| f_{fll_ref} | FLL reference frequency range | 31.25 | — | 39.0625 | kHz | | |
| f_{dco} | DCO output frequency range | Low range (DRS = 00) $640 \times f_{fll_ref}$ | 20 | 20.97 | 25 | MHz | 3, 4 |
| | | Mid range (DRS = 01) $1280 \times f_{fll_ref}$ | 40 | 41.94 | 48 | MHz | |
| $f_{dco_t_DMX32}$ | DCO output frequency | Low range (DRS = 00) $732 \times f_{fll_ref}$ | — | 23.99 | — | MHz | 5, 6 |
| | | Mid range (DRS = 01) $1464 \times f_{fll_ref}$ | — | 47.97 | — | MHz | |
| J_{cyc_fll} | FLL period jitter • $f_{VCO} = 48$ MHz | — | 180 | — | ps | 7 | |
| $t_{fll_acquire}$ | FLL target frequency acquisition time | — | — | 1 | ms | 8 | |
| PLL | | | | | | | |
| f_{vco} | VCO operating frequency | 48.0 | — | 100 | MHz | | |
| I_{pll} | PLL operating current • PLL at 96 MHz ($f_{osc_hi_1} = 8$ MHz, $f_{pll_ref} = 2$ MHz, VDIV multiplier = 48) | — | 1060 | — | μ A | 9 | |
| | | — | 600 | — | μ A | | |
| f_{pll_ref} | PLL reference frequency range | 2.0 | — | 4.0 | MHz | | |
| J_{cyc_pll} | PLL period jitter (RMS) • $f_{vco} = 48$ MHz • $f_{vco} = 100$ MHz | — | 120 | — | ps | 10 | |
| | | — | 50 | — | ps | | |

Table continues on the next page...

Table 18. MCG specifications (continued)

| Symbol | Description | Min. | Typ. | Max. | Unit | Notes |
|------------------------|---|------------|------|--|------|-------|
| $J_{\text{acc_pll}}$ | PLL accumulated jitter over 1 μ s (RMS) <ul style="list-style-type: none"> $f_{\text{vco}} = 48$ MHz $f_{\text{vco}} = 100$ MHz | — | 1350 | — | ps | 10 |
| | | — | 600 | — | ps | |
| D_{lock} | Lock entry frequency tolerance | ± 1.49 | — | ± 2.98 | % | |
| D_{unl} | Lock exit frequency tolerance | ± 4.47 | — | ± 5.97 | % | |
| $t_{\text{pll_lock}}$ | Lock detector detection time | — | — | $150 \times 10^{-6} + 1075(1/f_{\text{pll_ref}})$ | s | 11 |

1. This parameter is measured with the internal reference (slow clock) being used as a reference to the FLL (FEI clock mode).
2. The deviation is relative to the factory trimmed frequency at nominal V_{DD} and 25 °C, $f_{\text{ints_ft}}$.
3. These typical values listed are with the slow internal reference clock (FEI) using factory trim and DMX32 = 0.
4. The resulting system clock frequencies must not exceed their maximum specified values. The DCO frequency deviation ($\Delta f_{\text{dco_t}}$) over voltage and temperature must be considered.
5. These typical values listed are with the slow internal reference clock (FEI) using factory trim and DMX32 = 1.
6. The resulting clock frequency must not exceed the maximum specified clock frequency of the device.
7. This specification is based on standard deviation (RMS) of period or frequency.
8. This specification applies to any time the FLL reference source or reference divider is changed, trim value is changed, DMX32 bit is changed, DRS bits are changed, or changing from FLL disabled (BLPE, BLPI) to FLL enabled (FEI, FEE, FBE, FBI). If a crystal/resonator is being used as the reference, this specification assumes it is already running.
9. Excludes any oscillator currents that are also consuming power while PLL is in operation.
10. This specification was obtained using a Freescale developed PCB. PLL jitter is dependent on the noise characteristics of each PCB and results will vary.
11. This specification applies to any time the PLL VCO divider or reference divider is changed, or changing from PLL disabled (BLPE, BLPI) to PLL enabled (PBE, PEE). If a crystal/resonator is being used as the reference, this specification assumes it is already running.

3.3.2 Oscillator electrical specifications

3.3.2.1 Oscillator DC electrical specifications

Table 19. Oscillator DC electrical specifications

| Symbol | Description | Min. | Typ. | Max. | Unit | Notes |
|--------------------|---|------|------|------|---------|-------|
| V_{DD} | Supply voltage | 1.71 | — | 3.6 | V | |
| I_{DDOSC} | Supply current — low-power mode (HGO=0) | | | | | 1 |
| | • 32 kHz | — | 500 | — | nA | |
| | • 4 MHz | — | 200 | — | μ A | |
| | • 8 MHz (RANGE=01) | — | 300 | — | μ A | |
| | • 16 MHz | — | 950 | — | μ A | |
| | | — | 1.2 | — | mA | |

Table continues on the next page...

Table 19. Oscillator DC electrical specifications (continued)

| Symbol | Description | Min. | Typ. | Max. | Unit | Notes |
|-------------|---|------|----------|------|------------|-------|
| | <ul style="list-style-type: none"> • 24 MHz • 32 MHz | — | 1.5 | — | mA | |
| I_{DDOSC} | Supply current — high gain mode (HGO=1) <ul style="list-style-type: none"> • 32 kHz • 4 MHz • 8 MHz (RANGE=01) • 16 MHz • 24 MHz • 32 MHz | — | 25 | — | μ A | 1 |
| | | — | 400 | — | μ A | |
| | | — | 500 | — | μ A | |
| | | — | 2.5 | — | mA | |
| | | — | 3 | — | mA | |
| | | — | 4 | — | mA | |
| C_x | EXTAL load capacitance | — | — | — | | 2, 3 |
| C_y | XTAL load capacitance | — | — | — | | 2, 3 |
| R_F | Feedback resistor — low-frequency, low-power mode (HGO=0) | — | — | — | M Ω | 2, 4 |
| | Feedback resistor — low-frequency, high-gain mode (HGO=1) | — | 10 | — | M Ω | |
| | Feedback resistor — high-frequency, low-power mode (HGO=0) | — | — | — | M Ω | |
| | Feedback resistor — high-frequency, high-gain mode (HGO=1) | — | 1 | — | M Ω | |
| R_S | Series resistor — low-frequency, low-power mode (HGO=0) | — | — | — | k Ω | |
| | Series resistor — low-frequency, high-gain mode (HGO=1) | — | 200 | — | k Ω | |
| | Series resistor — high-frequency, low-power mode (HGO=0) | — | — | — | k Ω | |
| | Series resistor — high-frequency, high-gain mode (HGO=1) | — | 0 | — | k Ω | |
| V_{pp}^5 | Peak-to-peak amplitude of oscillation (oscillator mode) — low-frequency, low-power mode (HGO=0) | — | 0.6 | — | V | |
| | Peak-to-peak amplitude of oscillation (oscillator mode) — low-frequency, high-gain mode (HGO=1) | — | V_{DD} | — | V | |
| | Peak-to-peak amplitude of oscillation (oscillator mode) — high-frequency, low-power mode (HGO=0) | — | 0.6 | — | V | |
| | Peak-to-peak amplitude of oscillation (oscillator mode) — high-frequency, high-gain mode (HGO=1) | — | V_{DD} | — | V | |

1. $V_{DD}=3.3$ V, Temperature =25 °C
2. See crystal or resonator manufacturer's recommendation

3. C_x, C_y can be provided by using the integrated capacitors when the low frequency oscillator (RANGE = 00) is used. For all other cases external capacitors must be used.
4. When low power mode is selected, R_F is integrated and must not be attached externally.
5. The EXTAL and XTAL pins should only be connected to required oscillator components and must not be connected to any other devices.

3.3.2.2 Oscillator frequency specifications

Table 20. Oscillator frequency specifications

| Symbol | Description | Min. | Typ. | Max. | Unit | Notes |
|------------------|---|------|------|------|------|-------|
| f_{osc_lo} | Oscillator crystal or resonator frequency — low-frequency mode (MCG_C2[RANGE]=00) | 32 | — | 40 | kHz | |
| $f_{osc_hi_1}$ | Oscillator crystal or resonator frequency — high-frequency mode (low range) (MCG_C2[RANGE]=01) | 3 | — | 8 | MHz | |
| $f_{osc_hi_2}$ | Oscillator crystal or resonator frequency — high frequency mode (high range) (MCG_C2[RANGE]=1x) | 8 | — | 32 | MHz | |
| f_{ec_extal} | Input clock frequency (external clock mode) | — | — | 48 | MHz | 1, 2 |
| t_{dc_extal} | Input clock duty cycle (external clock mode) | 40 | 50 | 60 | % | |
| t_{cst} | Crystal startup time — 32 kHz low-frequency, low-power mode (HGO=0) | — | 750 | — | ms | 3, 4 |
| | Crystal startup time — 32 kHz low-frequency, high-gain mode (HGO=1) | — | 250 | — | ms | |
| | Crystal startup time — 8 MHz high-frequency (MCG_C2[RANGE]=01), low-power mode (HGO=0) | — | 0.6 | — | ms | |
| | Crystal startup time — 8 MHz high-frequency (MCG_C2[RANGE]=01), high-gain mode (HGO=1) | — | 1 | — | ms | |

1. Other frequency limits may apply when external clock is being used as a reference for the FLL or PLL.
2. When transitioning from FEI or FBI to FBE mode, restrict the frequency of the input clock so that, when it is divided by FRDIV, it remains within the limits of the DCO input clock frequency.
3. Proper PC board layout procedures must be followed to achieve specifications.
4. Crystal startup time is defined as the time between the oscillator being enabled and the OSCINIT bit in the MCG_S register being set.

3.4 Memories and memory interfaces

3.4.1 Flash electrical specifications

This section describes the electrical characteristics of the flash memory module.

3.4.1.1 Flash timing specifications — program and erase

The following specifications represent the amount of time the internal charge pumps are active and do not include command overhead.

Table 21. NVM program/erase timing specifications

| Symbol | Description | Min. | Typ. | Max. | Unit | Notes |
|----------------|------------------------------------|------|------|------|---------|-------|
| t_{hvpgm4} | Longword Program high-voltage time | — | 7.5 | 18 | μ s | — |
| $t_{hversscr}$ | Sector Erase high-voltage time | — | 13 | 113 | ms | 1 |
| $t_{hversall}$ | Erase All high-voltage time | — | 52 | 452 | ms | 1 |

1. Maximum time based on expectations at cycling end-of-life.

3.4.1.2 Flash timing specifications — commands

Table 22. Flash command timing specifications

| Symbol | Description | Min. | Typ. | Max. | Unit | Notes |
|----------------|---|------|------|------|---------|-------|
| $t_{rd1sec1k}$ | Read 1s Section execution time (flash sector) | — | — | 60 | μ s | 1 |
| t_{pgmchk} | Program Check execution time | — | — | 45 | μ s | 1 |
| t_{rdsrc} | Read Resource execution time | — | — | 30 | μ s | 1 |
| t_{pgm4} | Program Longword execution time | — | 65 | 145 | μ s | — |
| t_{ersscr} | Erase Flash Sector execution time | — | 14 | 114 | ms | 2 |
| t_{rd1all} | Read 1s All Blocks execution time | — | — | 1.8 | ms | — |
| t_{rdonce} | Read Once execution time | — | — | 25 | μ s | 1 |
| $t_{pgmonce}$ | Program Once execution time | — | 65 | — | μ s | — |
| t_{ersall} | Erase All Blocks execution time | — | 88 | 650 | ms | 2 |
| t_{vfykey} | Verify Backdoor Access Key execution time | — | — | 30 | μ s | 1 |

1. Assumes 25 MHz flash clock frequency.
2. Maximum times for erase parameters based on expectations at cycling end-of-life.

3.4.1.3 Flash high voltage current behaviors

Table 23. Flash high voltage current behaviors

| Symbol | Description | Min. | Typ. | Max. | Unit |
|---------------|---|------|------|------|------|
| I_{DD_PGM} | Average current adder during high voltage flash programming operation | — | 2.5 | 6.0 | mA |
| I_{DD_ERS} | Average current adder during high voltage flash erase operation | — | 1.5 | 4.0 | mA |

3.4.1.4 Reliability specifications

Table 24. NVM reliability specifications

| Symbol | Description | Min. | Typ. ¹ | Max. | Unit | Notes |
|--------------------------|--|------|-------------------|------|--------|-------|
| Program Flash | | | | | | |
| $t_{\text{nv mretp10k}}$ | Data retention after up to 10 K cycles | 5 | 50 | — | years | — |
| $t_{\text{nv mretp1k}}$ | Data retention after up to 1 K cycles | 20 | 100 | — | years | — |
| $n_{\text{nv mcycp}}$ | Cycling endurance | 10 K | 50 K | — | cycles | 2 |

1. Typical data retention values are based on measured response accelerated at high temperature and derated to a constant 25 °C use profile. Engineering Bulletin EB618 does not apply to this technology. Typical endurance defined in Engineering Bulletin EB619.
2. Cycling endurance represents number of program/erase cycles at $-40\text{ °C} \leq T_j \leq 125\text{ °C}$.

3.5 Security and integrity modules

There are no specifications necessary for the device's security and integrity modules.

3.6 Analog

3.6.1 ADC electrical specifications

All ADC channels meet the 12-bit single-ended accuracy specifications.

3.6.1.1 12-bit ADC operating conditions

Table 25. 12-bit ADC operating conditions

| Symbol | Description | Conditions | Min. | Typ. ¹ | Max. | Unit | Notes |
|-------------------------|----------------------------|---|-------------------|-------------------|-------------------|------------|-------|
| V_{DDA} | Supply voltage | Absolute | 1.71 | — | 3.6 | V | — |
| ΔV_{DDA} | Supply voltage | Delta to V_{DD} ($V_{\text{DD}} - V_{\text{DDA}}$) | -100 | 0 | +100 | mV | 2 |
| ΔV_{SSA} | Ground voltage | Delta to V_{SS} ($V_{\text{SS}} - V_{\text{SSA}}$) | -100 | 0 | +100 | mV | 2 |
| V_{REFH} | ADC reference voltage high | | 1.13 | V_{DDA} | V_{DDA} | V | 3 |
| V_{REFL} | ADC reference voltage low | | V_{SSA} | V_{SSA} | V_{SSA} | V | 3 |
| V_{ADIN} | Input voltage | | V_{REFL} | — | V_{REFH} | V | — |
| C_{ADIN} | Input capacitance | • 8-bit / 10-bit / 12-bit modes | — | 4 | 5 | pF | — |
| R_{ADIN} | Input series resistance | | — | 2 | 5 | k Ω | — |

Table continues on the next page...

Table 25. 12-bit ADC operating conditions (continued)

| Symbol | Description | Conditions | Min. | Typ. ¹ | Max. | Unit | Notes |
|------------|-------------------------------------|--|--------|-------------------|---------|------------|-------|
| R_{AS} | Analog source resistance (external) | 12-bit modes $f_{ADCK} < 4$ MHz | — | — | 5 | k Ω | 4 |
| f_{ADCK} | ADC conversion clock frequency | \leq 12-bit mode | 1.0 | — | 18.0 | MHz | 5 |
| C_{rate} | ADC conversion rate | \leq 12-bit modes No ADC hardware averaging Continuous conversions enabled, subsequent conversion time | 20.000 | — | 818.330 | Ksps | 6 |

1. Typical values assume $V_{DDA} = 3.0$ V, Temp = 25 °C, $f_{ADCK} = 1.0$ MHz, unless otherwise stated. Typical values are for reference only, and are not tested in production.
2. DC potential difference.
3. For packages without dedicated VREFH and VREFL pins, V_{REFH} is internally tied to V_{DDA} , and V_{REFL} is internally tied to V_{SSA} .
4. This resistance is external to MCU. To achieve the best results, the analog source resistance must be kept as low as possible. The results in this data sheet were derived from a system that had $< 8 \Omega$ analog source resistance. The R_{AS}/C_{AS} time constant should be kept to < 1 ns.
5. To use the maximum ADC conversion clock frequency, CFG2[ADHSC] must be set and CFG1[ADLPC] must be clear.
6. For guidelines and examples of conversion rate calculation, download the [ADC calculator tool](#).

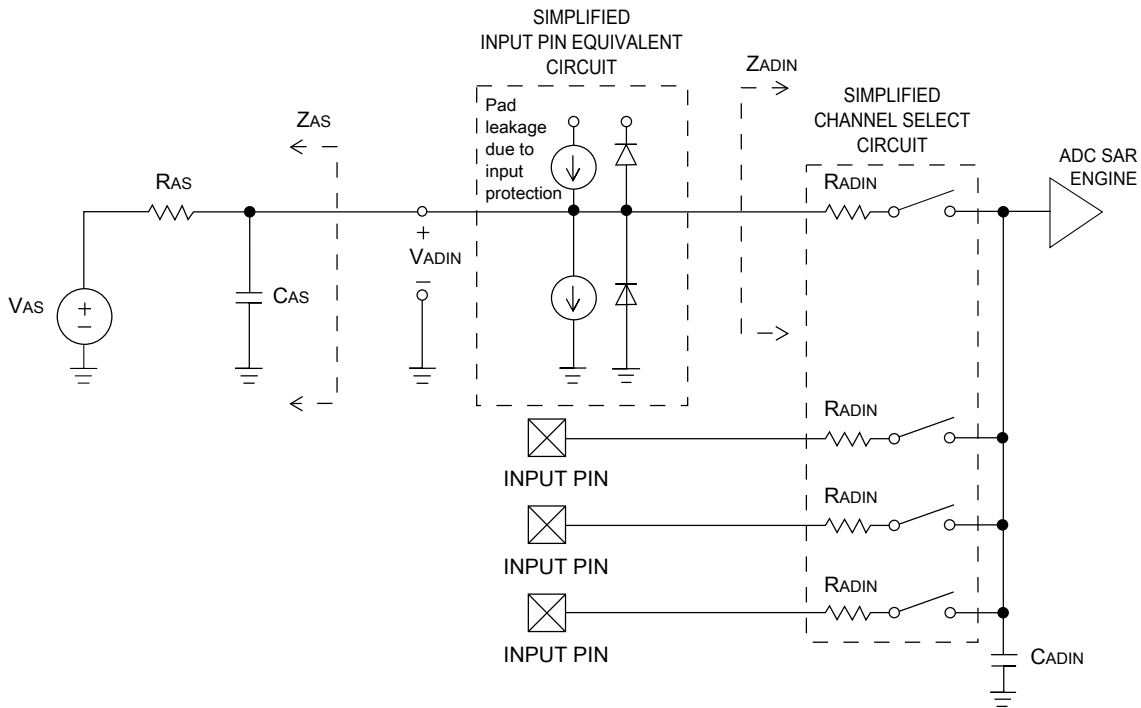


Figure 7. ADC input impedance equivalency diagram

3.6.1.2 12-bit ADC electrical characteristics

Table 26. 12-bit ADC characteristics ($V_{REFH} = V_{DDA}$, $V_{REFL} = V_{SSA}$)

| Symbol | Description | Conditions ¹ | Min. | Typ. ² | Max. | Unit | Notes |
|----------------|-------------------------------|---|------------------------|-------------------|------------------------------|------------------|---|
| I_{DDA_ADC} | Supply current | | 0.215 | — | 1.7 | mA | 3 |
| f_{ADACK} | ADC asynchronous clock source | • ADLPC = 1, ADHSC = 0 | 1.2 | 2.4 | 3.9 | MHz | $t_{ADACK} = 1/f_{ADACK}$ |
| | | • ADLPC = 1, ADHSC = 1 | 2.4 | 4.0 | 6.1 | MHz | |
| | | • ADLPC = 0, ADHSC = 0 | 3.0 | 5.2 | 7.3 | MHz | |
| | | • ADLPC = 0, ADHSC = 1 | 4.4 | 6.2 | 9.5 | MHz | |
| | Sample Time | See Reference Manual chapter for sample times | | | | | |
| TUE | Total unadjusted error | • 12-bit modes • <12-bit modes | — — | ±4 ±1.4 | ±6.8 ±2.1 | LSB ⁴ | 5 |
| DNL | Differential non-linearity | • 12-bit modes • <12-bit modes | — — | ±0.7 ±0.2 | –1.1 to +1.9 –0.3 to 0.5 | LSB ⁴ | 5 |
| INL | Integral non-linearity | • 12-bit modes • <12-bit modes | — — | ±1.0 ±0.5 | –2.7 to +1.9 –0.7 to +0.5 | LSB ⁴ | 5 |
| E_{FS} | Full-scale error | • 12-bit modes • <12-bit modes | — — | –4 –1.4 | –5.4 –1.8 | LSB ⁴ | $V_{ADIN} = V_{DDA}$ ⁵ |
| E_Q | Quantization error | • 12-bit modes | — | — | ±0.5 | LSB ⁴ | |
| E_{IL} | Input leakage error | | $I_{in} \times R_{AS}$ | | | mV | I_{in} = leakage current (refer to the MCU's voltage and current operating ratings) |
| | Temp sensor slope | Across the full temperature range of the device | 1.55 | 1.62 | 1.69 | mV/°C | 6 |
| V_{TEMP25} | Temp sensor voltage | 25 °C | 706 | 716 | 726 | mV | 6 |

1. All accuracy numbers assume the ADC is calibrated with $V_{REFH} = V_{DDA}$

2. Typical values assume $V_{DDA} = 3.0$ V, Temp = 25 °C, $f_{ADCK} = 2.0$ MHz unless otherwise stated. Typical values are for reference only and are not tested in production.

Peripheral operating requirements and behaviors

3. The ADC supply current depends on the ADC conversion clock speed, conversion rate and ADC_CFG1[ADLPC] (low power). For lowest power operation, ADC_CFG1[ADLPC] must be set, the ADC_CFG2[ADHSC] bit must be clear with 1 MHz ADC conversion clock speed.
4. $1 \text{ LSB} = (V_{\text{REFH}} - V_{\text{REFL}})/2^N$
5. ADC conversion clock < 16 MHz, Max hardware averaging (AVGE = %1, AVGS = %11)
6. ADC conversion clock < 3 MHz

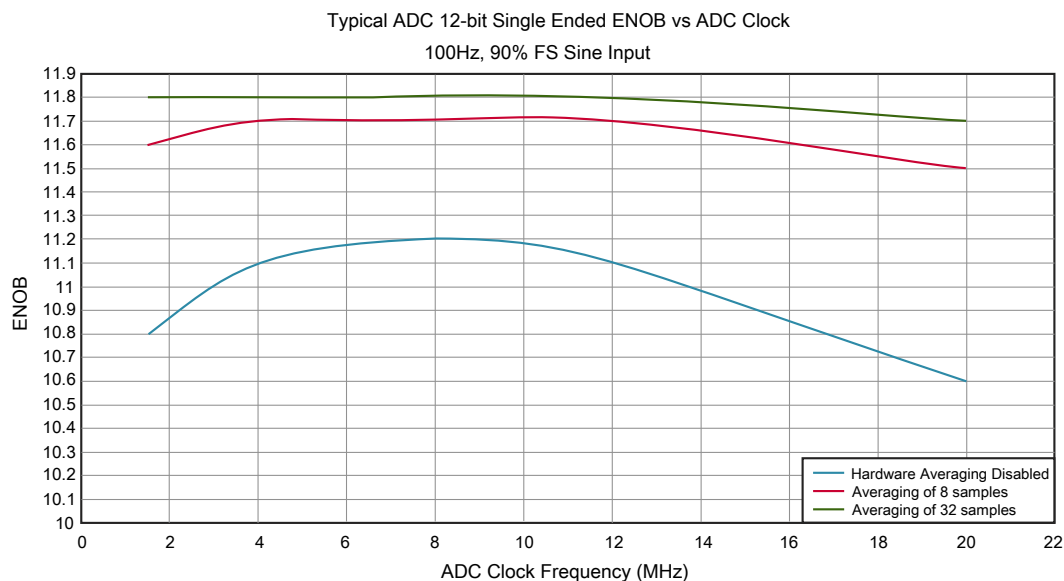


Figure 8. Typical ENOB vs. ADC_CLK for 12-bit single-ended mode

3.6.2 CMP and 6-bit DAC electrical specifications

Table 27. Comparator and 6-bit DAC electrical specifications

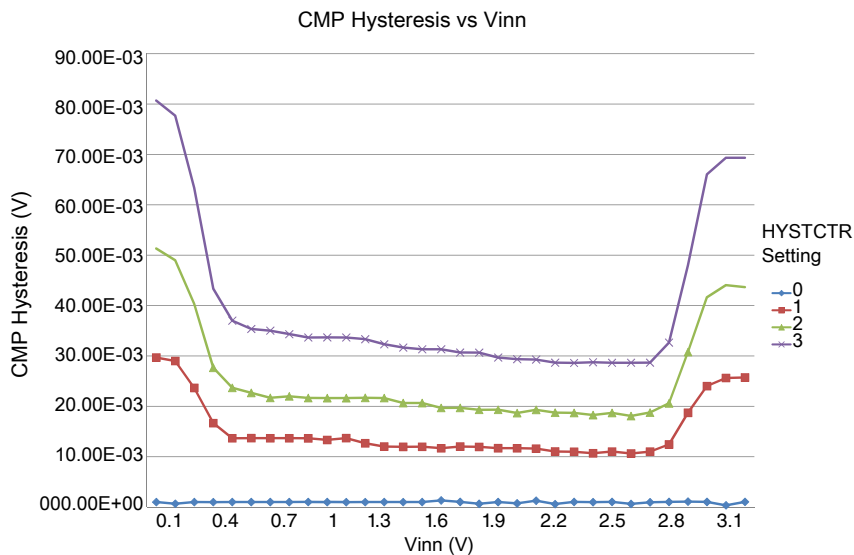
| Symbol | Description | Min. | Typ. | Max. | Unit |
|--------------------|--|-----------------------|---------------------|-----------------|------|
| V _{DD} | Supply voltage | 1.71 | — | 3.6 | V |
| I _{DDHS} | Supply current, high-speed mode (EN = 1, PMODE = 1) | — | — | 200 | μA |
| I _{DDL} | Supply current, low-speed mode (EN = 1, PMODE = 0) | — | — | 20 | μA |
| V _{AIN} | Analog input voltage | V _{SS} | — | V _{DD} | V |
| V _{AIO} | Analog input offset voltage | — | — | 20 | mV |
| V _H | Analog comparator hysteresis ¹ <ul style="list-style-type: none"> • CR0[HYSTCTR] = 00 • CR0[HYSTCTR] = 01 • CR0[HYSTCTR] = 10 • CR0[HYSTCTR] = 11 | — | 5 10 20 30 | — | mV |
| V _{CMPOh} | Output high | V _{DD} - 0.5 | — | — | V |

Table continues on the next page...

Table 27. Comparator and 6-bit DAC electrical specifications (continued)

| Symbol | Description | Min. | Typ. | Max. | Unit |
|-------------|--|------|------|------|------------------|
| V_{CMPOI} | Output low | — | — | 0.5 | V |
| t_{DHS} | Propagation delay, high-speed mode (EN = 1, PMODE = 1) | 20 | 50 | 200 | ns |
| t_{DLS} | Propagation delay, low-speed mode (EN = 1, PMODE = 0) | 80 | 250 | 600 | ns |
| | Analog comparator initialization delay ² | — | — | 40 | μ s |
| I_{DAC6b} | 6-bit DAC current adder (enabled) | — | 7 | — | μ A |
| INL | 6-bit DAC integral non-linearity | -0.5 | — | 0.5 | LSB ³ |
| DNL | 6-bit DAC differential non-linearity | -0.3 | — | 0.3 | LSB |

1. Typical hysteresis is measured with input voltage range limited to 0.7 to $V_{DD} - 0.7$ V.
2. Comparator initialization delay is defined as the time between software writes to change control inputs (writes to DACEN, VRSEL, PSEL, MSEL, VOSEL) and the comparator output settling to a stable level.
3. 1 LSB = $V_{reference}/64$

**Figure 9. Typical hysteresis vs. Vin level ($V_{DD} = 3.3$ V, PMODE = 0)**

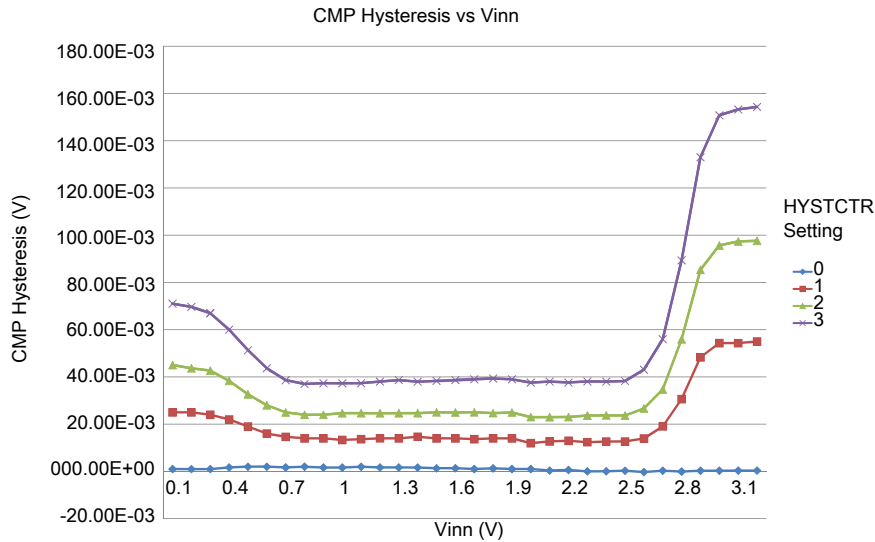


Figure 10. Typical hysteresis vs. Vin level ($V_{DD} = 3.3\text{ V}$, $PMODE = 1$)

3.7 Timers

See [General switching specifications](#).

3.8 Communication interfaces

3.8.1 USB electrical specifications

The USB electricals for the USB On-the-Go module conform to the standards documented by the Universal Serial Bus Implementers Forum. For the most up-to-date standards, visit usb.org.

NOTE

The MCGPLLCLK meets the USB jitter specifications for certification with the use of an external clock/crystal for both Device and Host modes.

The MCGFLLCLK does not meet the USB jitter specifications for certification.

3.8.2 USB VREG electrical specifications

Table 28. USB VREG electrical specifications

| Symbol | Description | Min. | Typ. ¹ | Max. | Unit | Notes |
|-----------------------|--|------|-------------------|------|------|-------|
| VREGIN | Input supply voltage | 2.7 | — | 5.5 | V | |
| I _{DDon} | Quiescent current — Run mode, load current equal zero, input supply (VREGIN) > 3.6 V | — | 125 | 186 | μA | |
| I _{DDstby} | Quiescent current — Standby mode, load current equal zero | — | 1.1 | 10 | μA | |
| I _{DDoff} | Quiescent current — Shutdown mode <ul style="list-style-type: none"> • VREGIN = 5.0 V and temperature=25 °C • Across operating voltage and temperature | — | 650 | — | nA | |
| | | — | — | 4 | μA | |
| I _{LOADrun} | Maximum load current — Run mode | — | — | 120 | mA | |
| I _{LOADstby} | Maximum load current — Standby mode | — | — | 1 | mA | |
| V _{Reg33out} | Regulator output voltage — Input supply (VREGIN) > 3.6 V <ul style="list-style-type: none"> • Run mode • Standby mode | 3 | 3.3 | 3.6 | V | |
| | | 2.1 | 2.8 | 3.6 | V | |
| V _{Reg33out} | Regulator output voltage — Input supply (VREGIN) < 3.6 V, pass-through mode | 2.1 | — | 3.6 | V | 2 |
| C _{OUT} | External output capacitor | 1.76 | 2.2 | 8.16 | μF | |
| ESR | External output capacitor equivalent series resistance | 1 | — | 100 | mΩ | |
| I _{LIM} | Short circuit current | — | 290 | — | mA | |

1. Typical values assume VREGIN = 5.0 V, Temp = 25 °C unless otherwise stated.

2. Operating in pass-through mode: regulator output voltage equal to the input voltage minus a drop proportional to I_{Load}.

3.8.3 SPI switching specifications

The Serial Peripheral Interface (SPI) provides a synchronous serial bus with master and slave operations. Many of the transfer attributes are programmable. The following tables provide timing characteristics for classic SPI timing modes. See the SPI chapter of the chip's Reference Manual for information about the modified transfer formats used for communicating with slower peripheral devices.

All timing is shown with respect to 20% V_{DD} and 80% V_{DD} thresholds, unless noted, as well as input signal transitions of 3 ns and a 30 pF maximum load on all SPI pins.

Table 29. SPI master mode timing on slew rate disabled pads

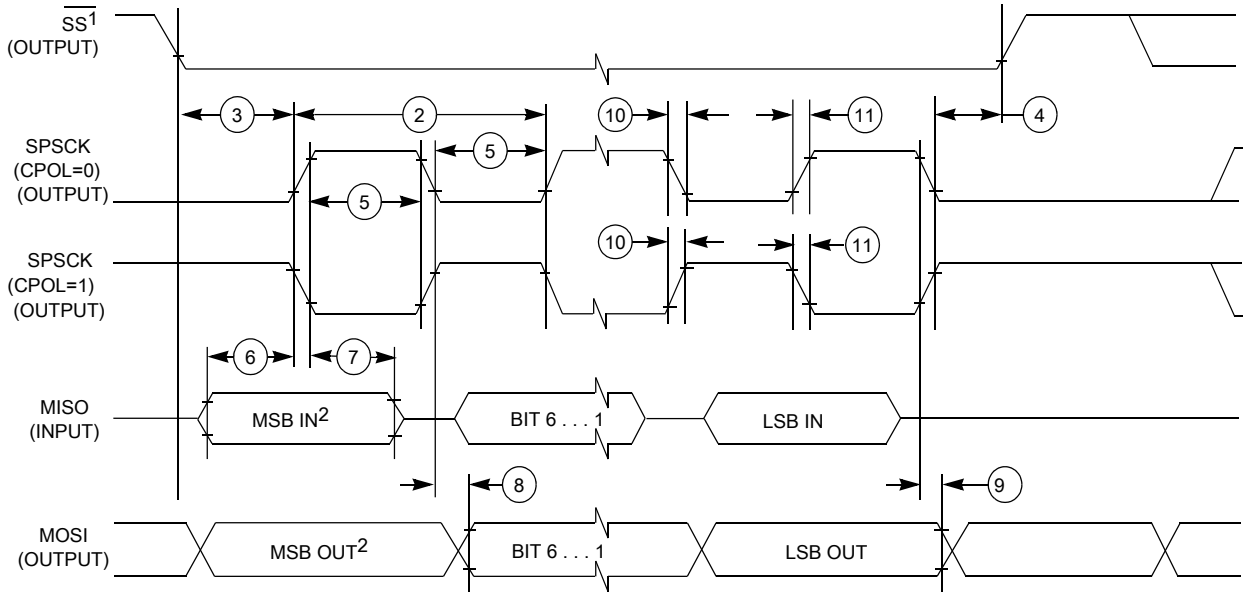
| Num. | Symbol | Description | Min. | Max. | Unit | Note |
|------|--------------|--------------------------------|-----------------------|--------------------------|-------------|------|
| 1 | f_{op} | Frequency of operation | $f_{periph}/2048$ | $f_{periph}/2$ | Hz | 1 |
| 2 | t_{SPSCK} | SPSCK period | $2 \times t_{periph}$ | $2048 \times t_{periph}$ | ns | 2 |
| 3 | t_{Lead} | Enable lead time | 1/2 | — | t_{SPSCK} | — |
| 4 | t_{Lag} | Enable lag time | 1/2 | — | t_{SPSCK} | — |
| 5 | t_{WSPSCK} | Clock (SPSCK) high or low time | $t_{periph} - 30$ | $1024 \times t_{periph}$ | ns | — |
| 6 | t_{SU} | Data setup time (inputs) | 16 | — | ns | — |
| 7 | t_{HI} | Data hold time (inputs) | 0 | — | ns | — |
| 8 | t_v | Data valid (after SPSCK edge) | — | 10 | ns | — |
| 9 | t_{HO} | Data hold time (outputs) | 0 | — | ns | — |
| 10 | t_{RI} | Rise time input | — | $t_{periph} - 25$ | ns | — |
| | t_{FI} | Fall time input | | | | |
| 11 | t_{RO} | Rise time output | — | 25 | ns | — |
| | t_{FO} | Fall time output | | | | |

- For SPI0, f_{periph} is the bus clock (f_{BUS}). For SPI1 f_{periph} is the system clock (f_{SYS}).
- $t_{periph} = 1/f_{periph}$

Table 30. SPI master mode timing on slew rate enabled pads

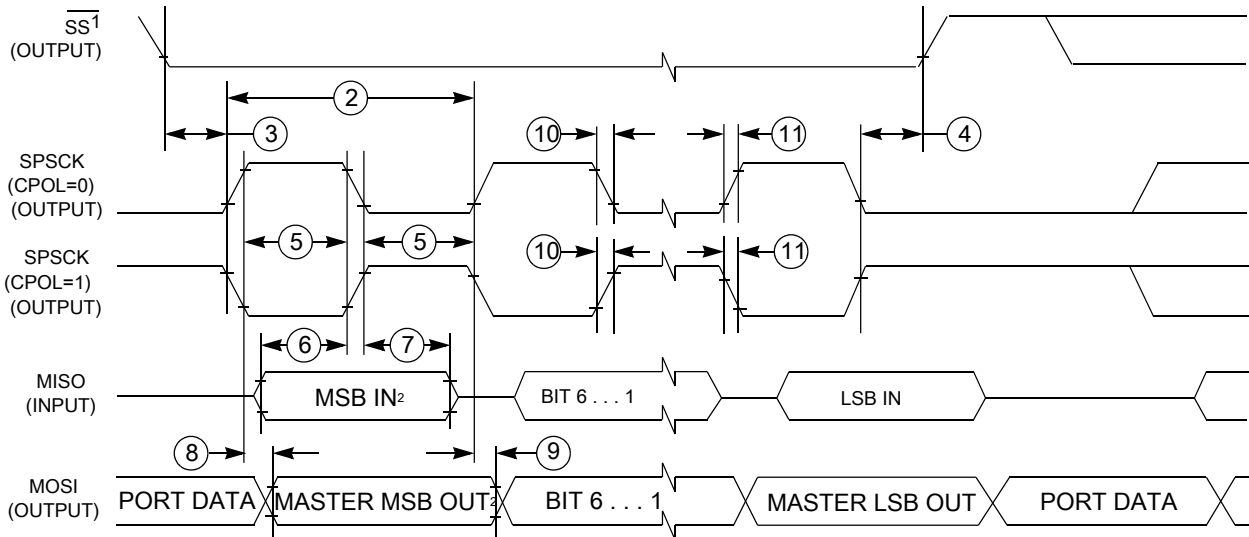
| Num. | Symbol | Description | Min. | Max. | Unit | Note |
|------|--------------|--------------------------------|-----------------------|--------------------------|-------------|------|
| 1 | f_{op} | Frequency of operation | $f_{periph}/2048$ | $f_{periph}/2$ | Hz | 1 |
| 2 | t_{SPSCK} | SPSCK period | $2 \times t_{periph}$ | $2048 \times t_{periph}$ | ns | 2 |
| 3 | t_{Lead} | Enable lead time | 1/2 | — | t_{SPSCK} | — |
| 4 | t_{Lag} | Enable lag time | 1/2 | — | t_{SPSCK} | — |
| 5 | t_{WSPSCK} | Clock (SPSCK) high or low time | $t_{periph} - 30$ | $1024 \times t_{periph}$ | ns | — |
| 6 | t_{SU} | Data setup time (inputs) | 96 | — | ns | — |
| 7 | t_{HI} | Data hold time (inputs) | 0 | — | ns | — |
| 8 | t_v | Data valid (after SPSCK edge) | — | 52 | ns | — |
| 9 | t_{HO} | Data hold time (outputs) | 0 | — | ns | — |
| 10 | t_{RI} | Rise time input | — | $t_{periph} - 25$ | ns | — |
| | t_{FI} | Fall time input | | | | |
| 11 | t_{RO} | Rise time output | — | 36 | ns | — |
| | t_{FO} | Fall time output | | | | |

- For SPI0, f_{periph} is the bus clock (f_{BUS}). For SPI1 f_{periph} is the system clock (f_{SYS}).
- $t_{periph} = 1/f_{periph}$



- 1. If configured as an output.
- 2. LSBF = 0. For LSBF = 1, bit order is LSB, bit 1, ..., bit 6, MSB.

Figure 11. SPI master mode timing (CPHA = 0)



- 1. If configured as output
- 2. LSBF = 0. For LSBF = 1, bit order is LSB, bit 1, ..., bit 6, MSB.

Figure 12. SPI master mode timing (CPHA = 1)

Table 31. SPI slave mode timing on slew rate disabled pads

| Num. | Symbol | Description | Min. | Max. | Unit | Note |
|------|--------------|------------------------|-----------------------|----------------|--------------|------|
| 1 | f_{op} | Frequency of operation | 0 | $f_{periph}/4$ | Hz | 1 |
| 2 | t_{SPSCCK} | SPSCCK period | $4 \times t_{periph}$ | — | ns | 2 |
| 3 | t_{Lead} | Enable lead time | 1 | — | t_{periph} | — |

Table continues on the next page...

Table 31. SPI slave mode timing on slew rate disabled pads (continued)

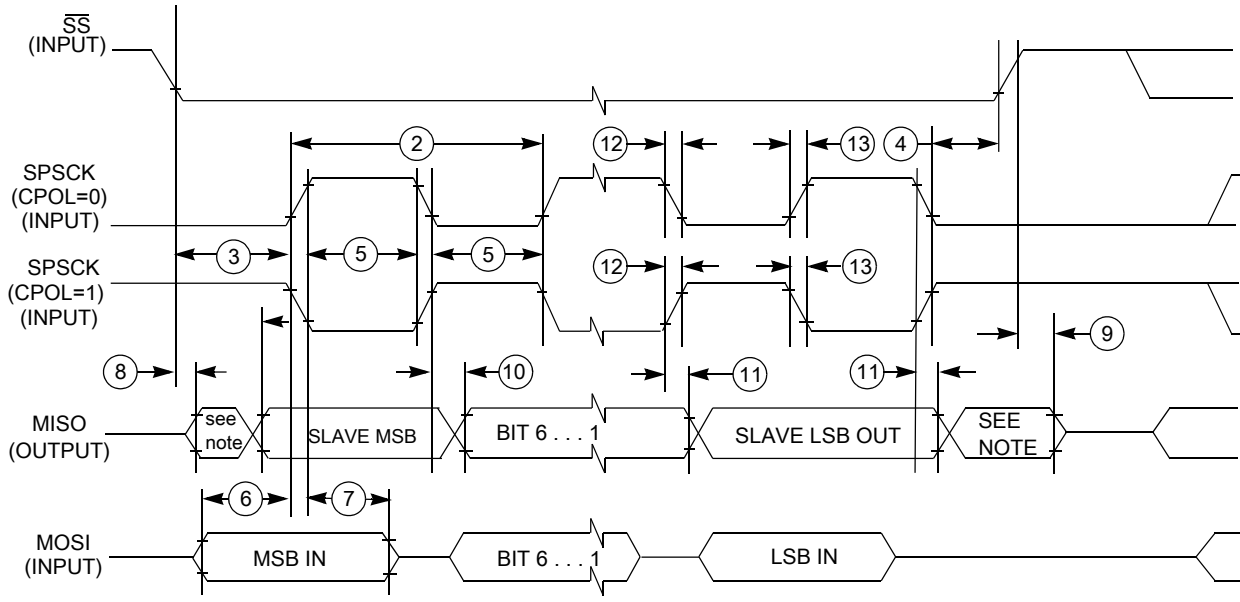
| Num. | Symbol | Description | Min. | Max. | Unit | Note |
|------|--------------|--------------------------------|-------------------|-------------------|--------------|------|
| 4 | t_{Lag} | Enable lag time | 1 | — | t_{periph} | — |
| 5 | t_{WSPSCK} | Clock (SPSCK) high or low time | $t_{periph} - 30$ | — | ns | — |
| 6 | t_{SU} | Data setup time (inputs) | 2 | — | ns | — |
| 7 | t_{HI} | Data hold time (inputs) | 7 | — | ns | — |
| 8 | t_a | Slave access time | — | t_{periph} | ns | 3 |
| 9 | t_{dis} | Slave MISO disable time | — | t_{periph} | ns | 4 |
| 10 | t_v | Data valid (after SPSCK edge) | — | 22 | ns | — |
| 11 | t_{HO} | Data hold time (outputs) | 0 | — | ns | — |
| 12 | t_{RI} | Rise time input | — | $t_{periph} - 25$ | ns | — |
| | t_{FI} | Fall time input | | | | |
| 13 | t_{RO} | Rise time output | — | 25 | ns | — |
| | t_{FO} | Fall time output | | | | |

1. For SPI0, f_{periph} is the bus clock (f_{BUS}). For SPI1 f_{periph} is the system clock (f_{SYS}).
2. $t_{periph} = 1/f_{periph}$
3. Time to data active from high-impedance state
4. Hold time to high-impedance state

Table 32. SPI slave mode timing on slew rate enabled pads

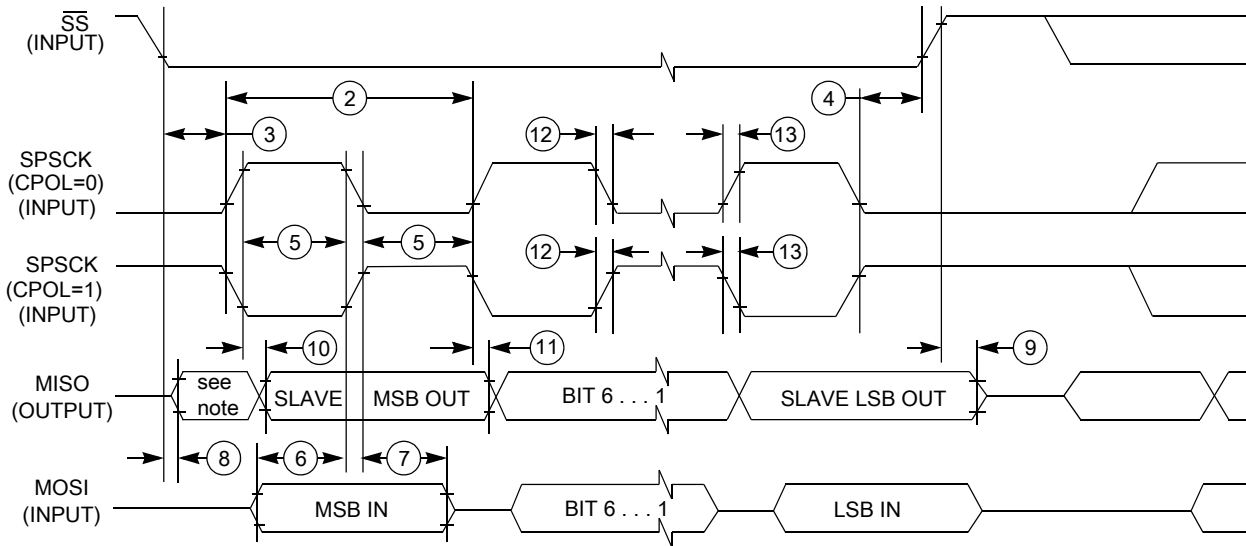
| Num. | Symbol | Description | Min. | Max. | Unit | Note |
|------|--------------|--------------------------------|-----------------------|-------------------|--------------|------|
| 1 | f_{op} | Frequency of operation | 0 | $f_{periph}/4$ | Hz | 1 |
| 2 | t_{SPSCK} | SPSCK period | $4 \times t_{periph}$ | — | ns | 2 |
| 3 | t_{Lead} | Enable lead time | 1 | — | t_{periph} | — |
| 4 | t_{Lag} | Enable lag time | 1 | — | t_{periph} | — |
| 5 | t_{WSPSCK} | Clock (SPSCK) high or low time | $t_{periph} - 30$ | — | ns | — |
| 6 | t_{SU} | Data setup time (inputs) | 2 | — | ns | — |
| 7 | t_{HI} | Data hold time (inputs) | 7 | — | ns | — |
| 8 | t_a | Slave access time | — | t_{periph} | ns | 3 |
| 9 | t_{dis} | Slave MISO disable time | — | t_{periph} | ns | 4 |
| 10 | t_v | Data valid (after SPSCK edge) | — | 122 | ns | — |
| 11 | t_{HO} | Data hold time (outputs) | 0 | — | ns | — |
| 12 | t_{RI} | Rise time input | — | $t_{periph} - 25$ | ns | — |
| | t_{FI} | Fall time input | | | | |
| 13 | t_{RO} | Rise time output | — | 36 | ns | — |
| | t_{FO} | Fall time output | | | | |

1. For SPI0, f_{periph} is the bus clock (f_{BUS}). For SPI1 f_{periph} is the system clock (f_{SYS}).
2. $t_{periph} = 1/f_{periph}$
3. Time to data active from high-impedance state
4. Hold time to high-impedance state



NOTE: Not defined

Figure 13. SPI slave mode timing (CPHA = 0)



NOTE: Not defined

Figure 14. SPI slave mode timing (CPHA = 1)

3.8.4 Inter-Integrated Circuit Interface (I2C) timing

Table 33. I2C timing

| Characteristic | Symbol | Standard Mode | | Fast Mode | | Unit |
|--|---------------|------------------|-------------------|----------------------------|------------------|---------|
| | | Minimum | Maximum | Minimum | Maximum | |
| SCL Clock Frequency | f_{SCL} | 0 | 100 | 0 | 400 ¹ | kHz |
| Hold time (repeated) START condition. After this period, the first clock pulse is generated. | $t_{HD; STA}$ | 4 | — | 0.6 | — | μs |
| LOW period of the SCL clock | t_{LOW} | 4.7 | — | 1.3 | — | μs |
| HIGH period of the SCL clock | t_{HIGH} | 4 | — | 0.6 | — | μs |
| Set-up time for a repeated START condition | $t_{SU; STA}$ | 4.7 | — | 0.6 | — | μs |
| Data hold time for I2C bus devices | $t_{HD; DAT}$ | 0 ² | 3.45 ³ | 0 ⁴ | 0.9 ² | μs |
| Data set-up time | $t_{SU; DAT}$ | 250 ⁵ | — | 100 ^{3, 6} | — | ns |
| Rise time of SDA and SCL signals | t_r | — | 1000 | $20 + 0.1C_b$ ⁷ | 300 | ns |
| Fall time of SDA and SCL signals | t_f | — | 300 | $20 + 0.1C_b$ ⁶ | 300 | ns |
| Set-up time for STOP condition | $t_{SU; STO}$ | 4 | — | 0.6 | — | μs |
| Bus free time between STOP and START condition | t_{BUF} | 4.7 | — | 1.3 | — | μs |
| Pulse width of spikes that must be suppressed by the input filter | t_{SP} | N/A | N/A | 0 | 50 | ns |

1. The maximum SCL Clock Frequency in Fast mode with maximum bus loading can only be achieved when using the High drive pins (see [Voltage and current operating behaviors](#)) or when using the Normal drive pins and $VDD \geq 2.7 V$
2. The master mode I2C deasserts ACK of an address byte simultaneously with the falling edge of SCL. If no slaves acknowledge this address byte, then a negative hold time can result, depending on the edge rates of the SDA and SCL lines.
3. The maximum $t_{HD; DAT}$ must be met only if the device does not stretch the LOW period (t_{LOW}) of the SCL signal.
4. Input signal Slew = 10 ns and Output Load = 50 pF
5. Set-up time in slave-transmitter mode is 1 IPBus clock period, if the TX FIFO is empty.
6. A Fast mode I2C bus device can be used in a Standard mode I2C bus system, but the requirement $t_{SU; DAT} \geq 250 ns$ must then be met. This is automatically the case if the device does not stretch the LOW period of the SCL signal. If such a device does stretch the LOW period of the SCL signal, then it must output the next data bit to the SDA line $t_{rmax} + t_{SU; DAT} = 1000 + 250 = 1250 ns$ (according to the Standard mode I2C bus specification) before the SCL line is released.
7. C_b = total capacitance of the one bus line in pF.

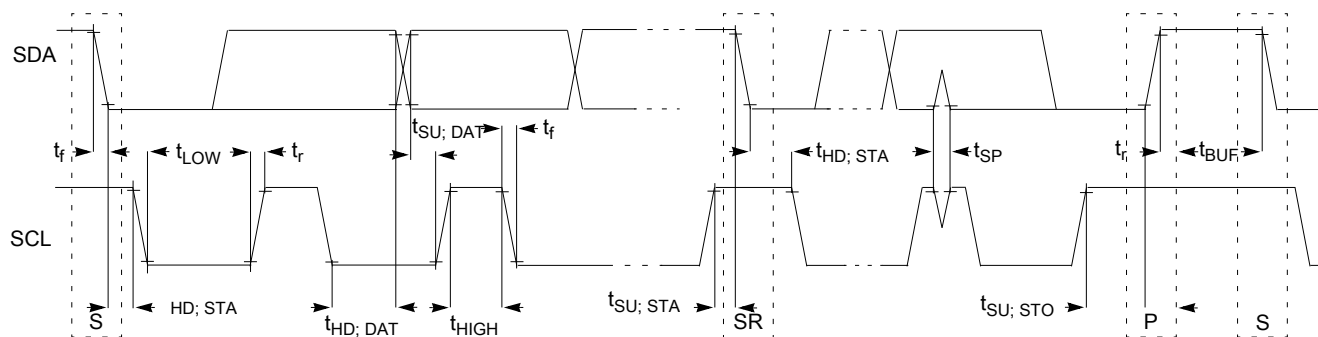


Figure 15. Timing definition for fast and standard mode devices on the I2C bus

3.8.5 UART

See [General switching specifications](#).

4 Dimensions

4.1 Obtaining package dimensions

Package dimensions are provided in package drawings.

To find a package drawing, go to freescale.com and perform a keyword search for the drawing's document number:

| If you want the drawing for this package | Then use this document number |
|--|-------------------------------|
| 32-pin QFN | 98ASA00473D |
| 48-pin QFN | 98ASA00466D |
| 64-pin LQFP | 98ASS23234W |
| 80-pin LQFP | 98ASS23174W |

5 Pinout

5.1 KL24 Signal Multiplexing and Pin Assignments

The following table shows the signals available on each pin and the locations of these pins on the devices supported by this document. The Port Control Module is responsible for selecting which ALT functionality is available on each pin.

| 80 LQFP | 64 LQFP | 48 QFN | 32 QFN | Pin Name | Default | ALT0 | ALT1 | ALT2 | ALT3 | ALT4 | ALT5 | ALT6 | ALT7 |
|---------|---------|--------|--------|----------|----------|------|------|-----------|----------|------------|-----------|----------|------|
| 1 | 1 | — | 1 | PTE0 | DISABLED | | PTE0 | | UART1_TX | RTC_CLKOUT | CMPO_OUT | I2C1_SDA | |
| 2 | 2 | — | — | PTE1 | DISABLED | | PTE1 | SPI1_MOSI | UART1_RX | | SPI1_MISO | I2C1_SCL | |
| 3 | — | — | — | PTE2 | DISABLED | | PTE2 | SPI1_SCK | | | | | |
| 4 | — | — | — | PTE3 | DISABLED | | PTE3 | SPI1_MISO | | | SPI1_MOSI | | |
| 5 | — | — | — | PTE4 | DISABLED | | PTE4 | SPI1_PCS0 | | | | | |

Pinout

| 80 LQFP | 64 LQFP | 48 QFN | 32 QFN | Pin Name | Default | ALT0 | ALT1 | ALT2 | ALT3 | ALT4 | ALT5 | ALT6 | ALT7 |
|---------|---------|--------|--------|----------|------------------------|------------------------|-------|-----------|----------|------------|-----------|-------------|---------|
| 6 | — | — | — | PTE5 | DISABLED | | PTE5 | | | | | | |
| 7 | 3 | 1 | — | VDD | VDD | VDD | | | | | | | |
| 8 | 4 | 2 | 2 | VSS | VSS | VSS | | | | | | | |
| 9 | 5 | 3 | 3 | USB0_DP | USB0_DP | USB0_DP | | | | | | | |
| 10 | 6 | 4 | 4 | USB0_DM | USB0_DM | USB0_DM | | | | | | | |
| 11 | 7 | 5 | 5 | VOUT33 | VOUT33 | VOUT33 | | | | | | | |
| 12 | 8 | 6 | 6 | VREGIN | VREGIN | VREGIN | | | | | | | |
| 13 | 9 | 7 | — | PTE20 | ADC0_SE0 | ADC0_SE0 | PTE20 | | TPM1_CH0 | UART0_TX | | | |
| 14 | 10 | 8 | — | PTE21 | ADC0_SE4a | ADC0_SE4a | PTE21 | | TPM1_CH1 | UART0_RX | | | |
| 15 | 11 | — | — | PTE22 | ADC0_SE3 | ADC0_SE3 | PTE22 | | TPM2_CH0 | UART2_TX | | | |
| 16 | 12 | — | — | PTE23 | ADC0_SE7a | ADC0_SE7a | PTE23 | | TPM2_CH1 | UART2_RX | | | |
| 17 | 13 | 9 | 7 | VDDA | VDDA | VDDA | | | | | | | |
| 18 | 14 | 10 | — | VREFH | VREFH | VREFH | | | | | | | |
| 19 | 15 | 11 | — | VREFL | VREFL | VREFL | | | | | | | |
| 20 | 16 | 12 | 8 | VSSA | VSSA | VSSA | | | | | | | |
| 21 | 17 | 13 | — | PTE29 | CMP0_IN5/ ADC0_SE4b | CMP0_IN5/ ADC0_SE4b | PTE29 | | TPM0_CH2 | TPM_CLKIN0 | | | |
| 22 | 18 | 14 | 9 | PTE30 | ADC0_SE23/ CMP0_IN4 | ADC0_SE23/ CMP0_IN4 | PTE30 | | TPM0_CH3 | TPM_CLKIN1 | | | |
| 23 | 19 | — | — | PTE31 | DISABLED | | PTE31 | | TPM0_CH4 | | | | |
| 24 | 20 | 15 | — | PTE24 | DISABLED | | PTE24 | | TPM0_CH0 | | I2C0_SCL | | |
| 25 | 21 | 16 | — | PTE25 | DISABLED | | PTE25 | | TPM0_CH1 | | I2C0_SDA | | |
| 26 | 22 | 17 | 10 | PTA0 | SWD_CLK | | PTA0 | | TPM0_CH5 | | | | SWD_CLK |
| 27 | 23 | 18 | 11 | PTA1 | DISABLED | | PTA1 | UART0_RX | TPM2_CH0 | | | | |
| 28 | 24 | 19 | 12 | PTA2 | DISABLED | | PTA2 | UART0_TX | TPM2_CH1 | | | | |
| 29 | 25 | 20 | 13 | PTA3 | SWD_DIO | | PTA3 | I2C1_SCL | TPM0_CH0 | | | | SWD_DIO |
| 30 | 26 | 21 | 14 | PTA4 | NMI_b | | PTA4 | I2C1_SDA | TPM0_CH1 | | | | NMI_b |
| 31 | 27 | — | — | PTA5 | DISABLED | | PTA5 | USB_CLKIN | TPM0_CH2 | | | | |
| 32 | 28 | — | — | PTA12 | DISABLED | | PTA12 | | TPM1_CH0 | | | | |
| 33 | 29 | — | — | PTA13 | DISABLED | | PTA13 | | TPM1_CH1 | | | | |
| 34 | — | — | — | PTA14 | DISABLED | | PTA14 | SPI0_PCS0 | UART0_TX | | | | |
| 35 | — | — | — | PTA15 | DISABLED | | PTA15 | SPI0_SCK | UART0_RX | | | | |
| 36 | — | — | — | PTA16 | DISABLED | | PTA16 | SPI0_MOSI | | | SPI0_MISO | | |
| 37 | — | — | — | PTA17 | DISABLED | | PTA17 | SPI0_MISO | | | SPI0_MOSI | | |
| 38 | 30 | 22 | 15 | VDD | VDD | VDD | | | | | | | |
| 39 | 31 | 23 | 16 | VSS | VSS | VSS | | | | | | | |
| 40 | 32 | 24 | 17 | PTA18 | EXTAL0 | EXTAL0 | PTA18 | | UART1_RX | TPM_CLKIN0 | | | |
| 41 | 33 | 25 | 18 | PTA19 | XTAL0 | XTAL0 | PTA19 | | UART1_TX | TPM_CLKIN1 | | LPTMR0_ALT1 | |
| 42 | 34 | 26 | 19 | PTA20 | RESET_b | | PTA20 | | | | | | RESET_b |

| 80 LQFP | 64 LQFP | 48 QFN | 32 QFN | Pin Name | Default | ALT0 | ALT1 | ALT2 | ALT3 | ALT4 | ALT5 | ALT6 | ALT7 |
|------------|------------|-----------|-----------|--------------------------------|-----------|-----------|--------------------------------|-----------|-------------|------------|-----------|----------|------|
| 43 | 35 | 27 | 20 | PTB0/ LLWU_P5 | ADC0_SE8 | ADC0_SE8 | PTB0/ LLWU_P5 | I2C0_SCL | TPM1_CH0 | | | | |
| 44 | 36 | 28 | 21 | PTB1 | ADC0_SE9 | ADC0_SE9 | PTB1 | I2C0_SDA | TPM1_CH1 | | | | |
| 45 | 37 | 29 | — | PTB2 | ADC0_SE12 | ADC0_SE12 | PTB2 | I2C0_SCL | TPM2_CH0 | | | | |
| 46 | 38 | 30 | — | PTB3 | ADC0_SE13 | ADC0_SE13 | PTB3 | I2C0_SDA | TPM2_CH1 | | | | |
| 47 | — | — | — | PTB8 | DISABLED | | PTB8 | | EXTRG_IN | | | | |
| 48 | — | — | — | PTB9 | DISABLED | | PTB9 | | | | | | |
| 49 | — | — | — | PTB10 | DISABLED | | PTB10 | SPI1_PCS0 | | | | | |
| 50 | — | — | — | PTB11 | DISABLED | | PTB11 | SPI1_SCK | | | | | |
| 51 | 39 | 31 | — | PTB16 | DISABLED | | PTB16 | SPI1_MOSI | UART0_RX | TPM_CLKIN0 | SPI1_MISO | | |
| 52 | 40 | 32 | — | PTB17 | DISABLED | | PTB17 | SPI1_MISO | UART0_TX | TPM_CLKIN1 | SPI1_MOSI | | |
| 53 | 41 | — | — | PTB18 | DISABLED | | PTB18 | | TPM2_CH0 | | | | |
| 54 | 42 | — | — | PTB19 | DISABLED | | PTB19 | | TPM2_CH1 | | | | |
| 55 | 43 | 33 | — | PTC0 | ADC0_SE14 | ADC0_SE14 | PTC0 | | EXTRG_IN | | CMP0_OUT | | |
| 56 | 44 | 34 | 22 | PTC1/ LLWU_P6/ RTC_CLKIN | ADC0_SE15 | ADC0_SE15 | PTC1/ LLWU_P6/ RTC_CLKIN | I2C1_SCL | | TPM0_CH0 | | | |
| 57 | 45 | 35 | 23 | PTC2 | ADC0_SE11 | ADC0_SE11 | PTC2 | I2C1_SDA | | TPM0_CH1 | | | |
| 58 | 46 | 36 | 24 | PTC3/ LLWU_P7 | DISABLED | | PTC3/ LLWU_P7 | | UART1_RX | TPM0_CH2 | CLKOUT | | |
| 59 | 47 | — | — | VSS | VSS | VSS | | | | | | | |
| 60 | 48 | — | — | VDD | VDD | VDD | | | | | | | |
| 61 | 49 | 37 | 25 | PTC4/ LLWU_P8 | DISABLED | | PTC4/ LLWU_P8 | SPI0_PCS0 | UART1_TX | TPM0_CH3 | | | |
| 62 | 50 | 38 | 26 | PTC5/ LLWU_P9 | DISABLED | | PTC5/ LLWU_P9 | SPI0_SCK | LPTMR0_ALT2 | | | CMP0_OUT | |
| 63 | 51 | 39 | 27 | PTC6/ LLWU_P10 | CMP0_IN0 | CMP0_IN0 | PTC6/ LLWU_P10 | SPI0_MOSI | EXTRG_IN | | SPI0_MISO | | |
| 64 | 52 | 40 | 28 | PTC7 | CMP0_IN1 | CMP0_IN1 | PTC7 | SPI0_MISO | | | SPI0_MOSI | | |
| 65 | 53 | — | — | PTC8 | CMP0_IN2 | CMP0_IN2 | PTC8 | I2C0_SCL | TPM0_CH4 | | | | |
| 66 | 54 | — | — | PTC9 | CMP0_IN3 | CMP0_IN3 | PTC9 | I2C0_SDA | TPM0_CH5 | | | | |
| 67 | 55 | — | — | PTC10 | DISABLED | | PTC10 | I2C1_SCL | | | | | |
| 68 | 56 | — | — | PTC11 | DISABLED | | PTC11 | I2C1_SDA | | | | | |
| 69 | — | — | — | PTC12 | DISABLED | | PTC12 | | | TPM_CLKIN0 | | | |
| 70 | — | — | — | PTC13 | DISABLED | | PTC13 | | | TPM_CLKIN1 | | | |
| 71 | — | — | — | PTC16 | DISABLED | | PTC16 | | | | | | |
| 72 | — | — | — | PTC17 | DISABLED | | PTC17 | | | | | | |
| 73 | 57 | 41 | — | PTD0 | DISABLED | | PTD0 | SPI0_PCS0 | | TPM0_CH0 | | | |
| 74 | 58 | 42 | — | PTD1 | ADC0_SE5b | ADC0_SE5b | PTD1 | SPI0_SCK | | TPM0_CH1 | | | |

Pinout

| 80 LQFP | 64 LQFP | 48 QFN | 32 QFN | Pin Name | Default | ALT0 | ALT1 | ALT2 | ALT3 | ALT4 | ALT5 | ALT6 | ALT7 |
|------------|------------|-----------|-----------|-------------------|-----------|-----------|-------------------|-----------|----------|----------|-----------|------|------|
| 75 | 59 | 43 | — | PTD2 | DISABLED | | PTD2 | SPI0_MOSI | UART2_RX | TPM0_CH2 | SPI0_MISO | | |
| 76 | 60 | 44 | — | PTD3 | DISABLED | | PTD3 | SPI0_MISO | UART2_TX | TPM0_CH3 | SPI0_MOSI | | |
| 77 | 61 | 45 | 29 | PTD4/ LLWU_P14 | DISABLED | | PTD4/ LLWU_P14 | SPI1_PCS0 | UART2_RX | TPM0_CH4 | | | |
| 78 | 62 | 46 | 30 | PTD5 | ADC0_SE6b | ADC0_SE6b | PTD5 | SPI1_SCK | UART2_TX | TPM0_CH5 | | | |
| 79 | 63 | 47 | 31 | PTD6/ LLWU_P15 | ADC0_SE7b | ADC0_SE7b | PTD6/ LLWU_P15 | SPI1_MOSI | UART0_RX | | SPI1_MISO | | |
| 80 | 64 | 48 | 32 | PTD7 | DISABLED | | PTD7 | SPI1_MISO | UART0_TX | | SPI1_MOSI | | |

5.2 KL24 pinouts

The following figures show the pinout diagrams for the devices supported by this document. Many signals may be multiplexed onto a single pin. To determine what signals can be used on which pin, see [KL24 Signal Multiplexing and Pin Assignments](#).

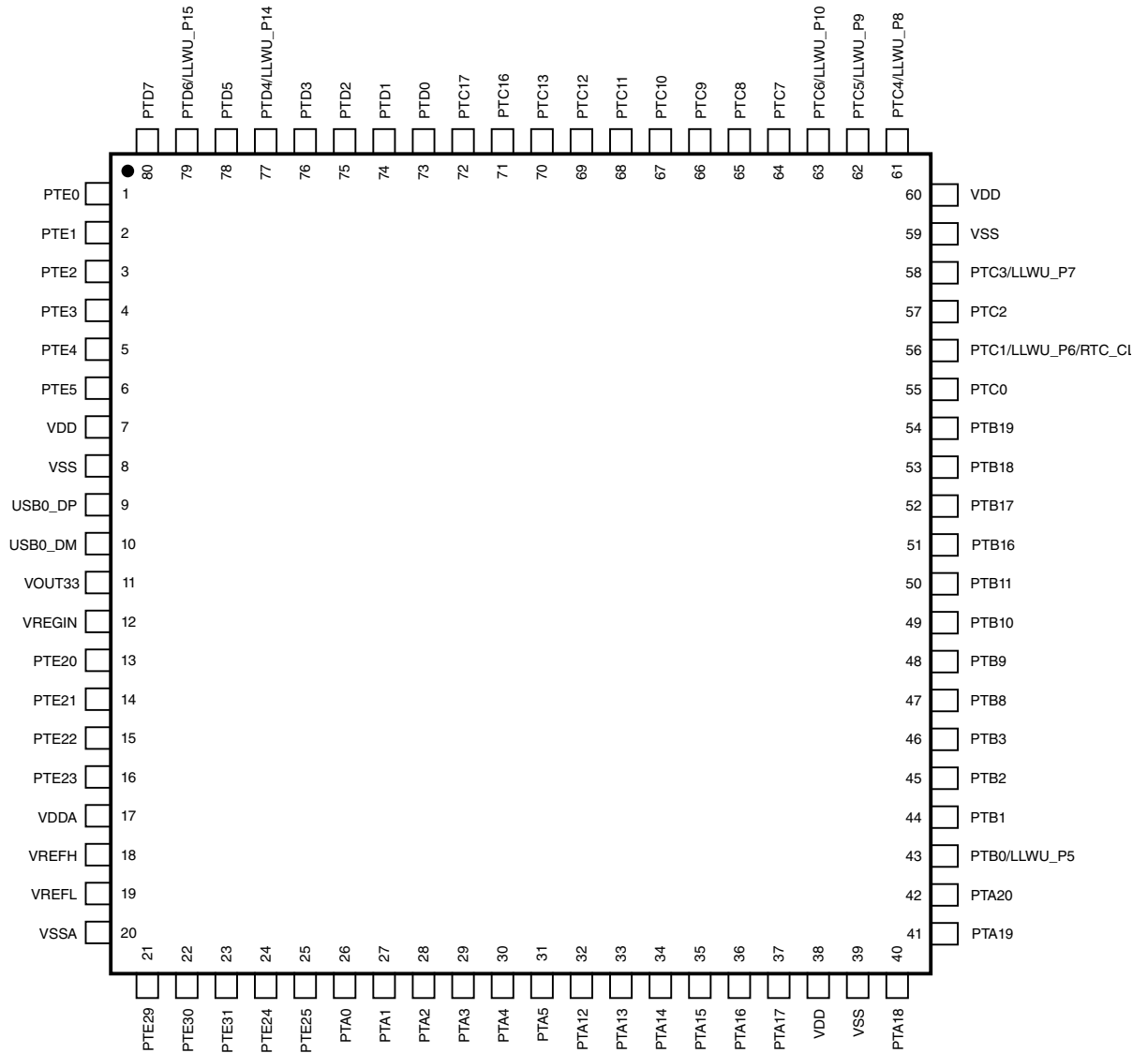


Figure 16. KL24 80-pin LQFP pinout diagram

Pinout

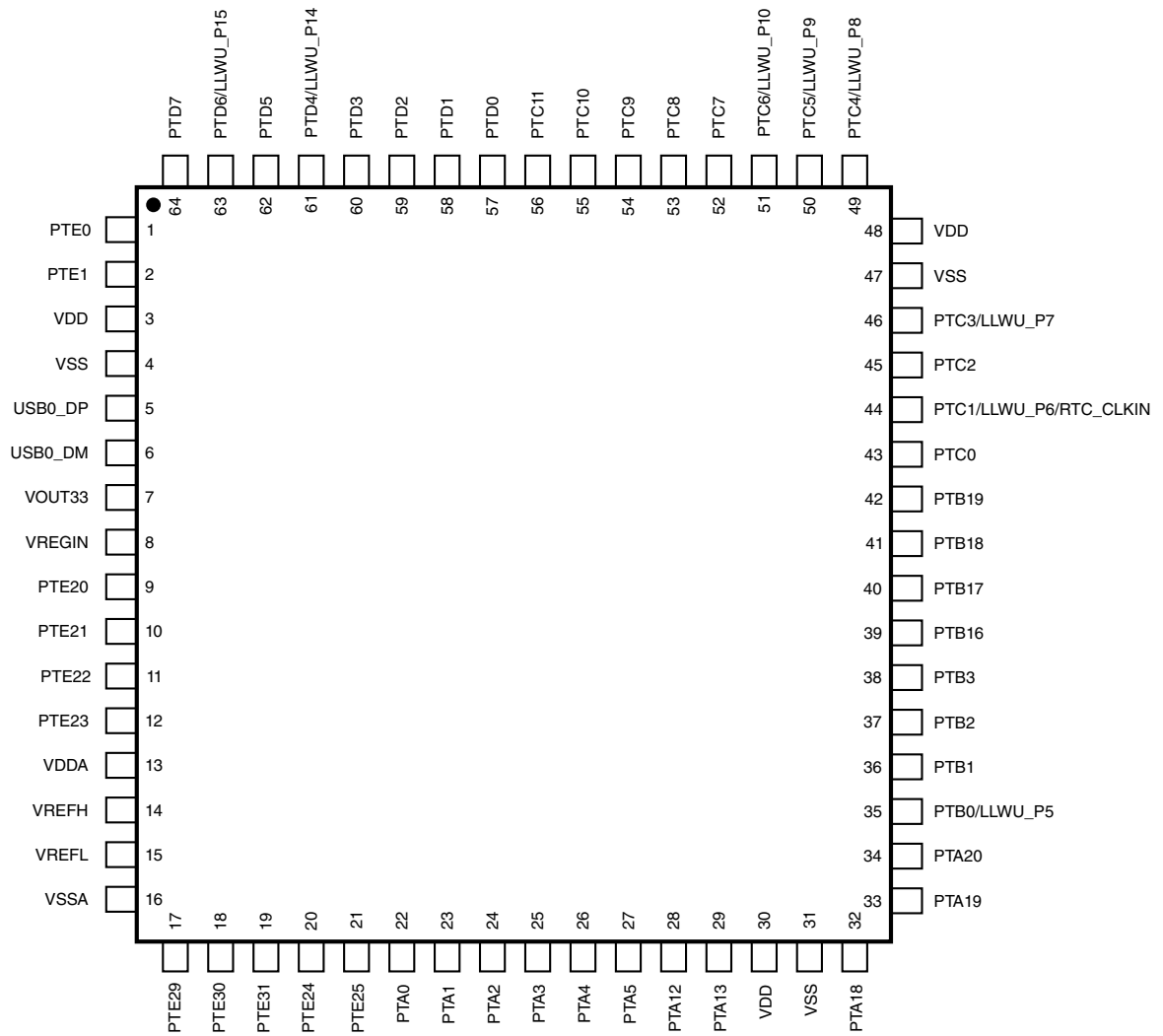


Figure 17. KL24 64-pin LQFP pinout diagram

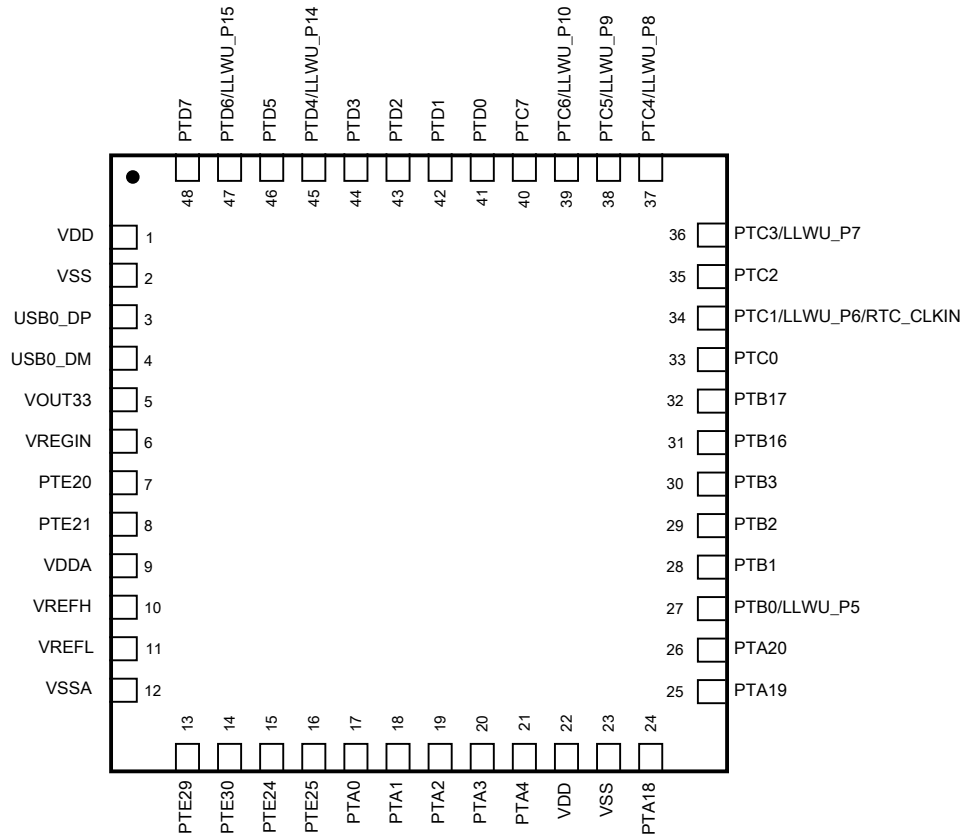


Figure 18. KL24 48-pin QFN pinout diagram

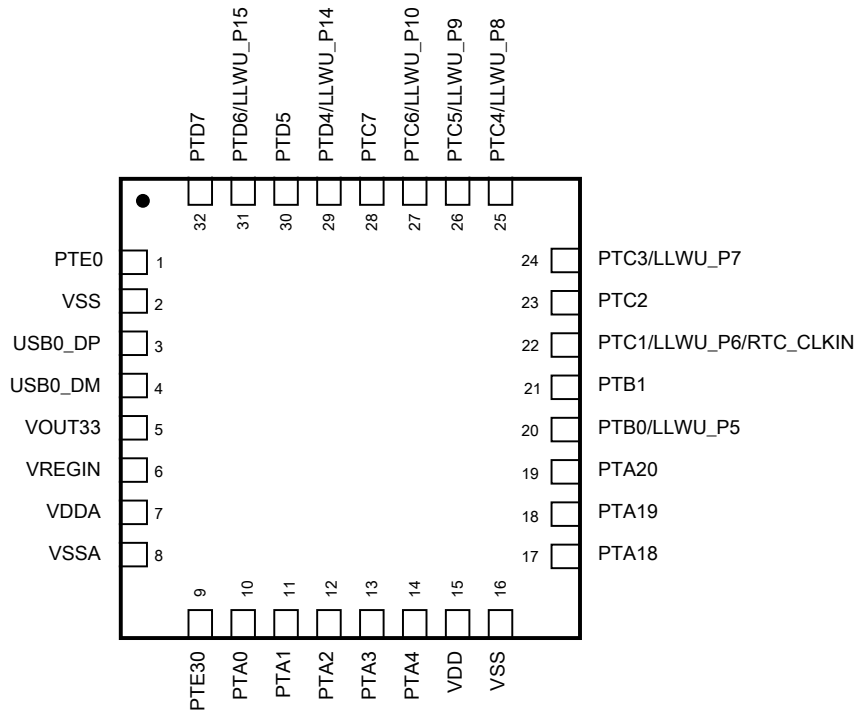


Figure 19. KL24 32-pin QFN pinout diagram

6 Ordering parts

6.1 Determining valid orderable parts

Valid orderable part numbers are provided on the web. To determine the orderable part numbers for this device, go to freescale.com and perform a part number search for the following device numbers: PKL24 and MKL24

7 Part identification

7.1 Description

Part numbers for the chip have fields that identify the specific part. You can use the values of these fields to determine the specific part you have received.

7.2 Format

Part numbers for this device have the following format:

Q KL## A FFF R T PP CC N

7.3 Fields

This table lists the possible values for each field in the part number (not all combinations are valid):

Table 34. Part number fields descriptions

| Field | Description | Values |
|-------|-----------------------------|--|
| Q | Qualification status | <ul style="list-style-type: none"> M = Fully qualified, general market flow P = Prequalification |
| KL## | Kinetis family | <ul style="list-style-type: none"> KL24 |
| A | Key attribute | <ul style="list-style-type: none"> Z = Cortex-M0+ |
| FFF | Program flash memory size | <ul style="list-style-type: none"> 32 = 32 KB 64 = 64 KB |
| R | Silicon revision | <ul style="list-style-type: none"> (Blank) = Main A = Revision after main |
| T | Temperature range (°C) | <ul style="list-style-type: none"> V = -40 to 105 |
| PP | Package identifier | <ul style="list-style-type: none"> FM = 32 QFN (5 mm x 5 mm) FT = 48 QFN (7 mm x 7 mm) LH = 64 LQFP (10 mm x 10 mm) LK = 80 LQFP (12 mm x 12 mm) |
| CC | Maximum CPU frequency (MHz) | <ul style="list-style-type: none"> 4 = 48 MHz |
| N | Packaging type | <ul style="list-style-type: none"> R = Tape and reel (Blank) = Trays |

7.4 Example

This is an example part number:

MKL24Z64VLK4

8 Terminology and guidelines

8.1 Definition: Operating requirement

An *operating requirement* is a specified value or range of values for a technical characteristic that you must guarantee during operation to avoid incorrect operation and possibly decreasing the useful life of the chip.

8.1.1 Example

This is an example of an operating requirement:

| Symbol | Description | Min. | Max. | Unit |
|-----------------|---------------------------|------|------|------|
| V _{DD} | 1.0 V core supply voltage | 0.9 | 1.1 | V |

8.2 Definition: Operating behavior

Unless otherwise specified, an *operating behavior* is a specified value or range of values for a technical characteristic that are guaranteed during operation if you meet the operating requirements and any other specified conditions.

8.2.1 Example

This is an example of an operating behavior:

| Symbol | Description | Min. | Max. | Unit |
|-----------------|--|------|------|------|
| I _{WP} | Digital I/O weak pullup/pulldown current | 10 | 130 | μA |

8.3 Definition: Attribute

An *attribute* is a specified value or range of values for a technical characteristic that are guaranteed, regardless of whether you meet the operating requirements.

8.3.1 Example

This is an example of an attribute:

| Symbol | Description | Min. | Max. | Unit |
|--------|------------------------------------|------|------|------|
| CIN_D | Input capacitance: digital pins | — | 7 | pF |

8.4 Definition: Rating

A *rating* is a minimum or maximum value of a technical characteristic that, if exceeded, may cause permanent chip failure:

- *Operating ratings* apply during operation of the chip.
- *Handling ratings* apply when the chip is not powered.

8.4.1 Example

This is an example of an operating rating:

| Symbol | Description | Min. | Max. | Unit |
|-----------------|------------------------------|------|------|------|
| V _{DD} | 1.0 V core supply voltage | −0.3 | 1.2 | V |

8.8 Definition: Typical value

A *typical value* is a specified value for a technical characteristic that:

- Lies within the range of values specified by the operating behavior
- Given the typical manufacturing process, is representative of that characteristic during operation when you meet the typical-value conditions or other specified conditions

Typical values are provided as design guidelines and are neither tested nor guaranteed.

8.8.1 Example 1

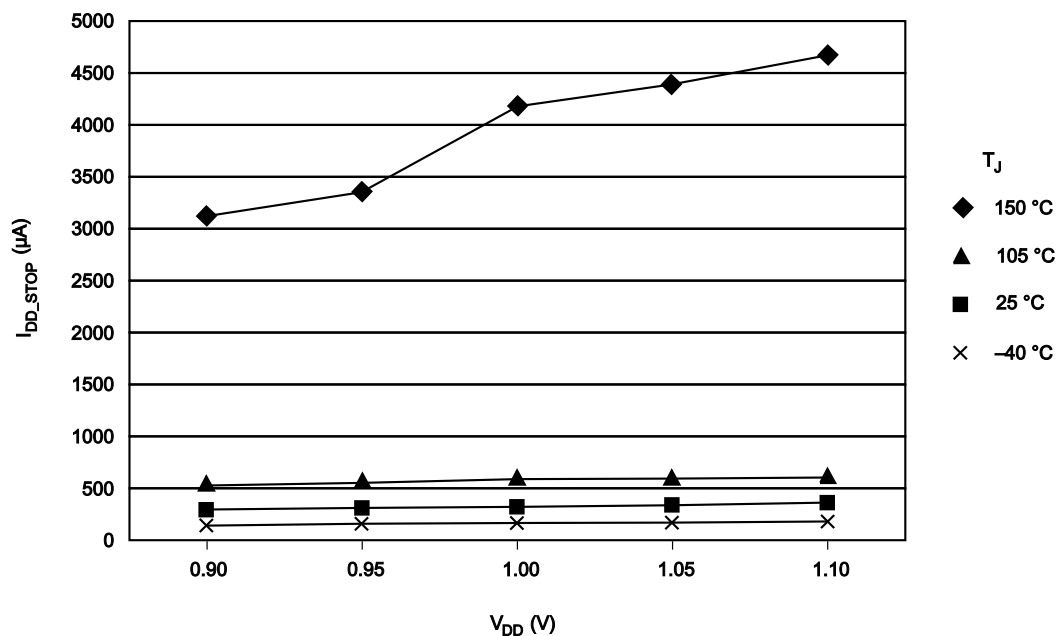
This is an example of an operating behavior that includes a typical value:

| Symbol | Description | Min. | Typ. | Max. | Unit |
|----------|--|------|------|------|---------|
| I_{WP} | Digital I/O weak pullup/pulldown current | 10 | 70 | 130 | μA |

8.8.2 Example 2

This is an example of a chart that shows typical values for various voltage and temperature conditions:

Revision history



8.9 Typical value conditions

Typical values assume you meet the following conditions (or other conditions as specified):

Table 35. Typical value conditions

| Symbol | Description | Value | Unit |
|-----------------|----------------------|-------|------|
| T _A | Ambient temperature | 25 | °C |
| V _{DD} | 3.3 V supply voltage | 3.3 | V |

9 Revision history

The following table provides a revision history for this document.

Table 36. Revision history

| Rev. No. | Date | Substantial Changes |
|----------|--------|--|
| 2 | 9/2012 | Completed all the TBDs, initial public release. |
| 3 | 9/2012 | Updated Signal Multiplexing and Pin Assignments table to add UART2 signals. |
| 4 | 3/2014 | <ul style="list-style-type: none"> Updated the front page and restructured the chapters |

Table continues on the next page...

Table 36. Revision history (continued)

| Rev. No. | Date | Substantial Changes |
|----------|---------|--|
| | | <ul style="list-style-type: none"> • Added a note to the I_{LAT} in the ESD handling ratings • Updated Voltage and current operating ratings • Updated Voltage and current operating requirements • Updated the Voltage and current operating behaviors • Updated Power mode transition operating behaviors • Updated Capacitance attributes • Updated footnote in the Device clock specifications • Updated t_{ersall} in the Flash timing specifications — commands • Updated VADIN in the 12-bit ADC operating conditions • Updated Temp sensor slope and voltage and added a note to them in the 12-bit ADC electrical characteristics • Removed T_A in the 12-bit DAC operating requirements • Added Inter-Integrated Circuit Interface (I2C) timing |
| 5 | 08/2014 | <ul style="list-style-type: none"> • Updated related source and added block diagram in the front page • Updated Power consumption operating behaviors • Updated the note in USB electrical specifications • Changed pin name from RESET_b to PTA20 and added RESET_b to ALT7 in KL24 Signal Multiplexing and Pin Assignments; and synchronized this in all the package pinout drawings. |



How to Reach Us:

Home Page:

freescale.com

Web Support:

freescale.com/support

Information in this document is provided solely to enable system and software implementers to use Freescale products. There are no express or implied copyright licenses granted hereunder to design or fabricate any integrated circuits based on the information in this document. Freescale reserves the right to make changes without further notice to any products herein.

Freescale makes no warranty, representation, or guarantee regarding the suitability of its products for any particular purpose, nor does Freescale assume any liability arising out of the application or use of any product or circuit, and specifically disclaims any and all liability, including without limitation consequential or incidental damages. "Typical" parameters that may be provided in Freescale data sheets and/or specifications can and do vary in different applications, and actual performance may vary over time. All operating parameters, including "typicals," must be validated for each customer application by customer's technical experts. Freescale does not convey any license under its patent rights nor the rights of others. Freescale sells products pursuant to standard terms and conditions of sale, which can be found at the following address: freescale.com/SalesTermsandConditions.

Freescale, Freescale logo, Energy Efficient Solutions logo, and Kinetis are trademarks of Freescale Semiconductor, Inc., Reg. U.S. Pat. & Tm. Off. All other product or service names are the property of their respective owners. ARM and Cortex are registered trademarks of ARM Limited (or its subsidiaries) in the EU and/or elsewhere. All rights reserved.

© 2012-2014 Freescale Semiconductor, Inc.

Document Number KL24P80M48SF0
Revision 5 08/2014

