

**NOT RECOMMENDED FOR NEW DESIGNS**

## 15MHz, BiMOS Microprocessor Operational Amplifiers with MOSFET Input/CMOS Output

November 1996

### Features

- **MOSFET Input Stage**
  - Very High  $Z_i$  .....  $1.5T\Omega$  ( $1.5 \times 10^{12}\Omega$ ) (Typ)
  - Very Low  $I_i$  .....  $5pA$  (Typ) at 15V Operation  
 $2pA$  (Typ) at 5V Operation
- **Ideal for Single Supply Applications**
- **Common Mode Input Voltage Range Includes Negative Supply Rail; Input Terminals Can Be Swung 0.5V Below Negative Supply Rail**
- **CMOS Output Stage Permits Signal Swing to Either (or Both) Supply Rails**
- **CA5130A, CA5130 Have Full Military Temperature Range Guaranteed Specifications for  $V_{+} = 5V$**
- **CA5130A, CA5130 Are Guaranteed to Operate Down to  $V_{+} = 4.5V$  for  $A_{OL}$**
- **CA5130A, CA5130 Are Guaranteed to Operate at  $\pm 7.5V$  CA3130A, CA3130 Specifications**

### Applications

- **Ground Referenced Single Supply Amplifiers**
- **Fast Sample-Hold Amplifiers**
- **Long Duration Timers/Monostables**
- **High Input Impedance Comparators (Ideal Interface with Digital CMOS)**
- **High Input Impedance Wideband Amplifiers**
- **Voltage Followers (e.g., Follower for Single-Supply D/A Converter)**
- **Voltage Regulators (Permits Control of Output Voltage Down to 0V)**
- **Peak Detectors**
- **Single Supply Full Wave Precision Rectifiers**
- **Photo Diode Sensor Amplifiers**
- **5V Logic Systems**
- **Microprocessor Interface**

### Description

CA5130A and CA5130 are integrated circuit operational amplifiers that combine the advantage of both CMOS and bipolar transistors on a monolithic chip. They are designed and guaranteed to operate in microprocessors or logic systems that use +5V supplies.

Gate protected P-Channel MOSFET (PMOS) transistors are used in the input circuit to provide very high input impedance, very low input current, and exceptional speed performance. The use of PMOS field effect transistors in the input stage results in common mode input voltage capability down to 0.5V below the negative supply terminal, an important attribute in single supply applications.

A complementary symmetry MOS (CMOS) transistor-pair, capable of swinging the output voltage to within 10mV of either supply voltage terminal (at very high values of load impedance), is employed as the output circuit.

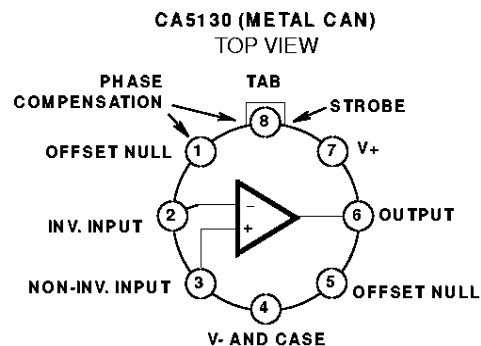
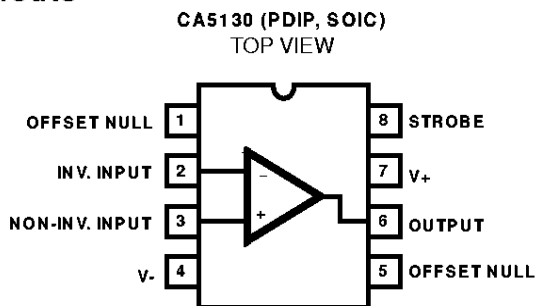
The CA5130 Series circuits operate at supply voltages ranging from 4V to 16V, or  $\pm 2V$  to  $\pm 8V$  when using split supplies. They can be phase compensated with a single external capacitor, and have terminals for adjustment of offset voltage for applications requiring offset null capability. Terminal provisions are also made to permit strobing of the output stage.

The CA5130A, CA5130 have guaranteed specifications for 5V operation over the full military temperature range of  $-55^{\circ}C$  to  $125^{\circ}C$ .

### Ordering Information

PART NUMBER (BRAND)	TEMP. RANGE ( $^{\circ}C$ )	PACKAGE	PKG. NO.
CA5130AE	-55 to 125	8 Ld PDIP	E8.3
CA5130AM (5130A)	-55 to 125	8 Ld SOIC	M8.15
CA5130AT	-55 to 125	8 Pin Metal Can	T8.C
CA5130E	-55 to 125	8 Ld PDIP	E8.3
CA5130M (5130)	-55 to 125	8 Ld SOIC	M8.15

### Pinouts



## CA5130, CA5130A

### Absolute Maximum Ratings

Supply Voltage (V+ to V-) .....	16V
DC Input Voltage .....	(V+ +8V) to (V- -0.5V)
Differential Input Voltage .....	8V
Input Terminal Current .....	1mA
Output Short-Circuit Duration (Note 1) .....	Indefinite

### Operating Conditions

Temperature Range .....	-55°C to 125°C
-------------------------	----------------

### Thermal Information

Thermal Resistance (Typical, Note 2)	$\theta_{JA}$ (°C/W)	$\theta_{JC}$ (°C/W)
PDIP Package .....	125	N/A
SOIC Package .....	165	N/A
Metal Can Package .....	165	80
Maximum Junction Temperature (Can) .....	175°C	
Maximum Junction Temperature (Plastic Package) .....	150°C	
Maximum Storage Temperature Range .....	-65°C to 150°C	
Maximum Lead Temperature (Soldering 10s) .....	300°C (SOIC - Lead Tips Only)	

**CAUTION:** Stresses above those listed in "Absolute Maximum Ratings" may cause permanent damage to the device. This is a stress only rating and operation of the device at these or any other conditions above those indicated in the operational sections of this specification is not implied.

### NOTES:

- Short circuit may be applied to ground or to either supply.
- $\theta_{JA}$  is measured with the component mounted on an evaluation PC board in free air.

### Electrical Specifications $T_A = 25^\circ\text{C}$ , $V_+ = 5\text{V}$ , $V_- = 0\text{V}$ , Unless Otherwise Specified

PARAMETER	SYMBOL	TEST CONDITIONS	CA5130			CA5130A			UNITS	
			MIN	TYP	MAX	MIN	TYP	MAX		
Input Offset Voltage	$V_{IO}$	$V_O = 2.5\text{V}$	-	2	10	-	1.5	4	mV	
Input Offset Current	$I_{IO}$	$V_O = 2.5\text{V}$	-	0.1	10	-	0.1	5	pA	
Input Current	$I_I$	$V_O = 2.5\text{V}$	-	2	15	-	2	10	pA	
Common Mode Rejection Ratio	CMRR	$V_{CM} = 0\text{V to }1\text{V}$	70	85	-	75	87	-	dB	
		$V_{CM} = 0\text{V to }2.5\text{V}$	60	69	-	60	69	-	dB	
Input Common Mode Voltage Range	$V_{ICR+}$		2.5	2.8	-	2.5	2.8	-	V	
	$V_{ICR-}$		-	-0.5	0	-	-0.5	0	V	
Power Supply Rejection Ratio	PSRR	$\Delta+ = 1\text{V}; \Delta- = 1\text{V}$	55	73	-	60	75	-	dB	
Large Signal Voltage Gain (Note 3)	$A_{OL}$	$V_O = 0.1\text{V to }4.1\text{V}$ $R_L = \infty$	95	105	-	100	105	-	dB	
		$V_O = 0.1\text{V to }3.6\text{V}$ $R_L = 10\text{k}\Omega$	85	95	-	90	97	-	dB	
Source Current	$I_{SOURCE}$	$V_O = 0\text{V}$	1.0	2.6	4.0	1.0	3.1	4.0	mA	
Sink Current	$I_{SINK}$	$V_O = 5\text{V}$	1.0	1.7	4.0	1.0	1.4	4.0	mA	
Output Voltage	$V_{OUT}$	$R_L = \infty$	$V_{OM+}$	4.99	5	-	4.99	5	-	V
			$V_{OM-}$	-	0	0.01	-	0	0.01	V
		$R_L = 10\text{k}\Omega$	$V_{OM+}$	4.4	4.7	-	4.4	4.7	-	V
			$V_{OM-}$	-	0	0.01	-	0	0.01	V
		$R_L = 2\text{k}\Omega$	$V_{OM+}$	2.5	3.5	-	2.5	3.5	-	V
			$V_{OM-}$	-	0	0.01	-	0	0.01	V
Supply Current	$I_{SUPPLY}$	$V_O = 0\text{V}$	-	50	100	-	50	100	$\mu\text{A}$	
		$V_O = 2.5\text{V}$	-	260	400	-	260	400	$\mu\text{A}$	

### NOTE:

- For  $V_+ = 4.5\text{V}$  and  $V_- = \text{GND}$ ;  $V_{OUT} = 0.5\text{V to }3.2\text{V}$  at  $R_L = 10\text{k}\Omega$ .

### Electrical Specifications $T_A = -55^\circ\text{C to }125^\circ\text{C}$ , $V_+ = 5\text{V}$ , $V_- = 0\text{V}$ , Unless Otherwise Specified

PARAMETER	SYMBOL	TEST CONDITIONS	CA5130			CA5130A			UNITS
			MIN	TYP	MAX	MIN	TYP	MAX	
Input Offset Voltage	$V_{IO}$	$V_O = 2.5\text{V}$	-	3	15	-	2	10	mV
Input Offset Current	$I_{IO}$	$V_O = 2.5\text{V}$	-	0.1	10	-	0.1	5	nA
Input Current	$I_I$	$V_O = 2.5\text{V}$	-	2	15	-	2	10	nA
Common Mode Rejection Ratio	CMRR	$V_{CM} = 0\text{V to }1\text{V}$	60	80	-	60	80	-	dB
		$V_{CM} = 0\text{V to }2.5\text{V}$	50	80	-	55	80	-	dB

## CA5130, CA5130A

### Electrical Specifications $T_A = -55^{\circ}\text{C}$ to $125^{\circ}\text{C}$ , $V_+ = 5\text{V}$ , $V_- = 0\text{V}$ , Unless Otherwise Specified

PARAMETER	SYMBOL	TEST CONDITIONS	CA5130			CA5130A			UNITS	
			MIN	TYP	MAX	MIN	TYP	MAX		
Input Common Mode Voltage Range	$V_{ICR+}$		2.5	2.8	-	2.5	2.8	-	V	
	$V_{ICR-}$		-	-0.5	0	-	-0.5	0	V	
Power Supply Rejection Ratio	PSRR	$\Delta+ = 1\text{V}$ ; $\Delta- = 1\text{V}$	40	66	-	45	70	-	dB	
Large Signal Voltage Gain (Note 4)	$A_{OL}$	$V_O = 0.1\text{V}$ to $4.1\text{V}$ $R_L = \infty$	90	98	-	94	98	-	dB	
		$V_O = 0.1\text{V}$ to $3.6\text{V}$ $R_L = 10\text{k}\Omega$	75	85	-	80	88	-	dB	
Source Current	$I_{SOURCE}$	$V_O = 0\text{V}$	0.6	-	5.0	0.6	2.2	5.0	mA	
Sink Current	$I_{SINK}$	$V_O = 5\text{V}$	0.6	-	5.0	0.6	1.15	5.0	mA	
Output Voltage	$V_{OUT}$	$R_L = \infty$	$V_{OM+}$	4.99	5	-	4.99	5	-	V
			$V_{OM-}$	-	0	0.01	-	0	0.01	V
		$R_L = 10\text{k}\Omega$	$V_{OM+}$	4.0	4.6	-	4.0	4.6	-	V
			$V_{OM-}$	-	0	0.01	-	0	0.01	V
		$R_L = 2\text{k}\Omega$	$V_{OM+}$	2.0	3.0	-	2.0	3.0	-	V
			$V_{OM-}$	-	0	0.01	-	0	0.01	V
Supply Current	$I_{SUPPLY}$	$V_O = 0\text{V}$	-	80	220	-	80	220	$\mu\text{A}$	
		$V_O = 2.5\text{V}$	-	300	500	-	300	500	$\mu\text{A}$	

NOTE:

4. For  $V_+ = 4.5\text{V}$  and  $V_- = \text{GND}$ ;  $V_{OUT} = 0.5\text{V}$  to  $3.2\text{V}$  at  $R_L = 10\text{k}\Omega$ .

### Electrical Specifications $T_A = 25^{\circ}\text{C}$ , $V_+ = 15\text{V}$ , $V_- = 0\text{V}$ , Unless Otherwise Specified

PARAMETER	SYMBOL	TEST CONDITIONS	CA5130			CA5130A			UNITS	
			MIN	TYP	MAX	MIN	TYP	MAX		
Input Offset Voltage	$V_{IO}$	$V_{\pm} = \pm 7.5\text{V}$	-	8	15	-	2	5	mV	
Input Offset Current	$I_{IO}$	$V_{\pm} = \pm 7.5\text{V}$	-	0.5	30	-	0.5	20	pA	
Input Current	$I_I$	$V_{\pm} = \pm 7.5\text{V}$	-	5	50	-	5	30	pA	
Common Mode Rejection Ratio	CMRR		70	90	-	80	90	-	dB	
Input Common Mode Voltage Range	$V_{ICR}$		10	-0.5 to 12	0	10	-0.5 to 12	0	V	
Power Supply Rejection Ratio	PSRR	$\Delta V_{IO}/\Delta V_{\pm}$ $V_{\pm} = \pm 7.5\text{V}$	-	32	320	-	32	150	$\mu\text{V}/\text{V}$	
Large Signal Voltage Gain	$A_{OL}$	$V_O = 10\text{V}_{P-P}$ $R_L = 2\text{k}\Omega$	50	320	-	50	320	-	kV/V	
			94	110	-	94	110	-	dB	
Maximum Output Current	$I_{OM+}$	$V_O = 0\text{V}$	12	22	45	12	22	45	mA	
			$I_{OM-}$	$V_O = 15\text{V}$	12	20	45	12	20	45
Supply Current	$I_{SUPPLY}$	$V_O = 7.5\text{V}$ , $R_L = \infty$	-	10	15	-	10	15	mA	
		$V_O = 0\text{V}$ , $R_L = \infty$	-	2	3	-	2	3	mA	
Maximum Output Voltage	$V_{OUT}$	$R_L = \infty$	$V_{OM+}$	14.99	15	-	14.99	15	-	V
			$V_{OM-}$	-	0	0.01	-	0	0.01	V
		$R_L = 2\text{k}\Omega$	$V_{OM+}$	12	13.3	-	12	13.3	-	V
			$V_{OM-}$	-	0.002	0.01	-	0.002	0.01	V
Input Offset Voltage Temperature Drift	$\Delta V_{IO}/\Delta T$		-	10	-	-	10	-	$\mu\text{V}/^{\circ}\text{C}$	

## CA5130, CA5130A

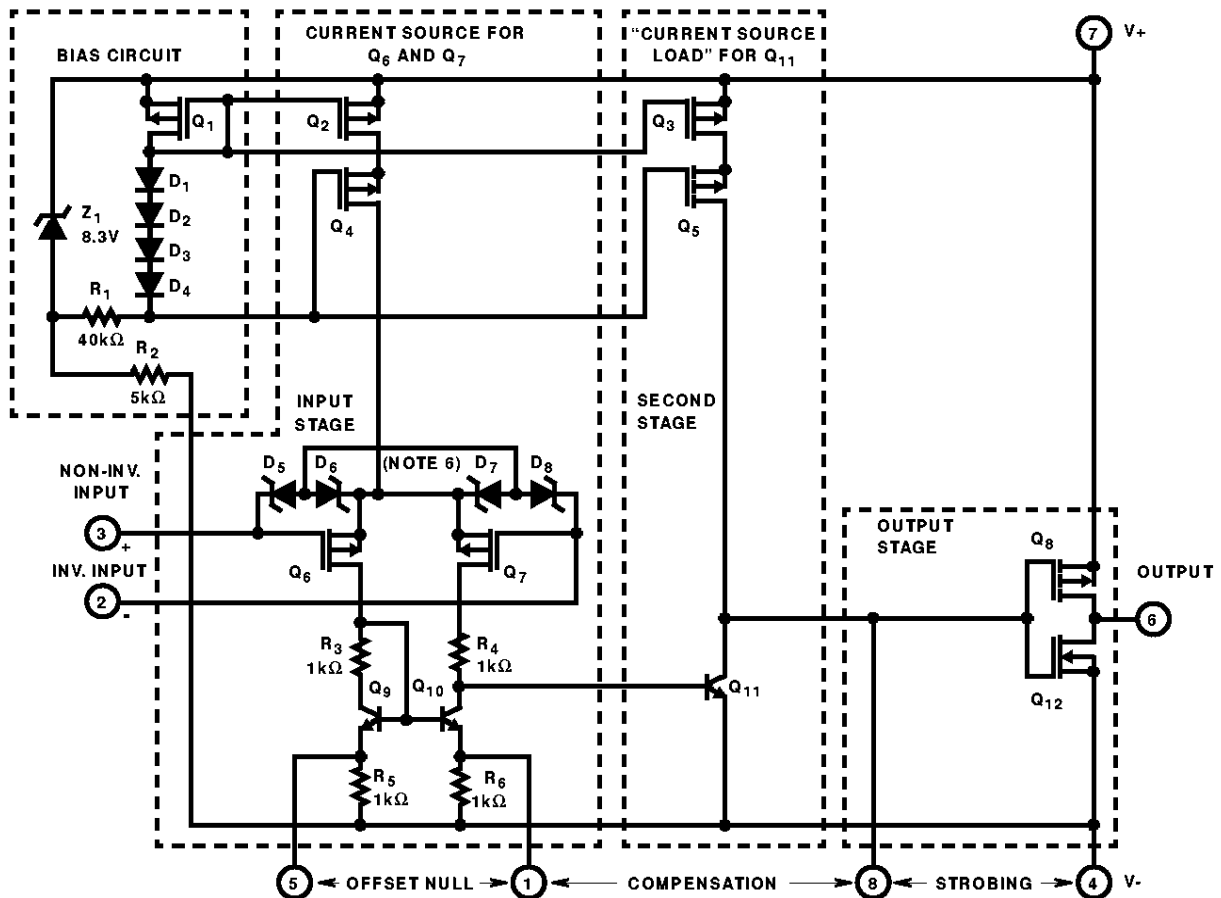
**Electrical Specifications** Typical Values Intended Only for Design Guidance, At  $T_A = 25^\circ\text{C}$ ,  $V_{\text{SUPPLY}} = \pm 7.5\text{V}$   
Unless Otherwise Specified

PARAMETER	SYMBOL	TEST CONDITIONS	CA5130	CA5130A	UNITS
			TYP	TYP	
Input Offset Voltage Adjustment Range		10k $\Omega$ Across Terminals 4 and 5 or 4 and 1	$\pm 22$	$\pm 22$	mV
Input Resistance	$R_I$		1.5	1.5	T $\Omega$
Input Capacitance	$C_I$	$f = 1\text{MHz}$	4.3	4.3	pF
Equivalent Input Noise Voltage	$e_N$	$BW = 0.2\text{MHz}$ , $R_S = 1\text{M}\Omega$ (Note 5)	23	23	$\mu\text{V}$
Open Loop Crossover Frequency For Unity Gain Stability $\geq 47\text{pF}$ Required	$f_T$	$C_C = 0$	15	15	MHz
		$C_C = 47\text{pF}$	4	4	MHz
Slew Rate	SR	$C_C = 0$	30	30	$\text{V}/\mu\text{s}$
		$C_C = 56\text{pF}$	10	10	$\text{V}/\mu\text{s}$
Transient Response	$t_R$	$C_C = 56\text{pF}$ , $C_L = 25\text{pF}$ , $R_L = 2\text{k}\Omega$ (Voltage Follower)	0.09	0.09	$\mu\text{s}$
			OS	10	10
Settling Time ( $T_o < 0.1\%$ , $V_{IN} = 4\text{V}_{P-P}$ )	$t_S$	$C_C = 56\text{pF}$ , $C_L = 25\text{pF}$ , $R_L = 2\text{k}\Omega$ (Voltage Follower)	1.2	1.2	$\mu\text{s}$

NOTE:

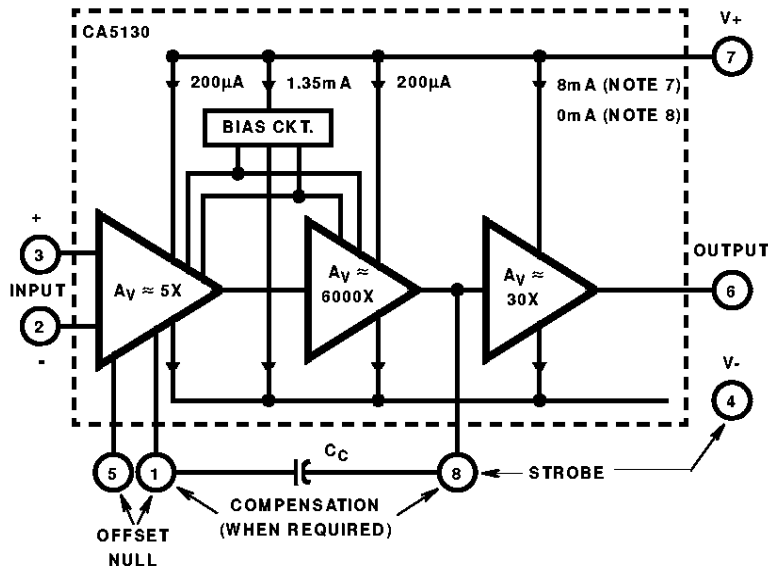
5. Although a 1M $\Omega$  source is used for this test, the equivalent input noise remains constant for values of  $R_S$  up to 10M $\Omega$ .

### Schematic Diagram



NOTE:

6. Diodes  $D_5$  through  $D_8$  provide gate oxide protection for MOSFET Input Stage.

**Block Diagram****NOTES:**

7. Total supply voltage (for indicated voltage gains) = 15V with input terminals biased so that Terminal 6 potential is +7.5V above Terminal 4.
8. Total supply voltage (for indicated voltage gains) = 15V with output terminal driven to either supply rail.

**Application Information****Circuit Description**

The input terminals shown in the block diagram of the CA5130 Series CMOS Operational Amplifiers may be operated down to 0.5V below the negative supply rail, and the output can be swung very close to either supply rail in many applications. Consequently, the CA5130 Series circuits are ideal for single supply operation. Three Class A amplifier stages, having the individual gain capability and current consumption shown in the Block Diagram, provide the total gain of the CA5130. A biasing circuit provides two potentials for common use in the first and second stages. Terminal 8 can be used both for phase compensation and to strobe the output stage into quiescence. When Terminal 8 is tied to the negative supply rail (Terminal 4) by mechanical or electrical means, the output potential at Terminal 6 essentially rises to the positive supply rail potential at Terminal 7. This condition of essentially zero current drain in the output stage under the strobed "OFF" condition can only be achieved when the ohmic load resistance presented to the amplifier is very high (e.g., when the amplifier output is used to drive CMOS digital circuits in comparator applications).

**Input Stages**

The circuit of the CA5130 is shown in the Schematic Diagram. It consists of a differential input stage using PMOS field-effect transistors ( $Q_6, Q_7$ ) working into a mirror pair of bipolar transistors ( $Q_9, Q_{10}$ ) functioning as load resistors together with resistors  $R_3$  through  $R_6$ . The mirror pair transistors also function as a differential-to-single-ended converter to provide base drive to the second stage bipolar transistor ( $Q_{11}$ ). Offset nulling, when desired, can be effected by connecting a 100,000 $\Omega$  potentiometer across Terminals 1 and 5 and the potentiometer slider arm to Terminal 4. Cascode connected PMOS transistors  $Q_2, Q_4$  are the constant current source for the input stage. The biasing circuit for the constant current

source is subsequently described. The small diodes  $D_5$  through  $D_8$  provide gate oxide protection against high voltage transients, e.g., including static electricity during handling for  $Q_6$  and  $Q_7$ .

**Second Stage**

Most of the voltage gain in the CA5130 is provided by the second amplifier stage, consisting of bipolar transistor  $Q_{11}$  and its cascode connected load resistance provided by PMOS transistors  $Q_3$  and  $Q_5$ . The source of bias potentials for these PMOS transistors is subsequently described. Miller-Effect compensation (roll-off) is accomplished by simply connecting a small capacitor between Terminals 1 and 8. A 47pF capacitor provides sufficient compensation for stable unity gain operation in most applications.

**Bias Source Circuit**

At total supply voltages, somewhat above 8.3V, resistor  $R_2$  and zener diode  $Z_1$  serve to establish a voltage of 8.3V across the series connected circuit, consisting of resistor  $R_1$ , diodes  $D_1$  through  $D_4$ , and PMOS transistor  $Q_1$ . A tap at the junction of resistor  $R_1$  and diode  $D_4$  provides a gate bias potential of about 4.5V for PMOS transistors  $Q_4$  and  $Q_5$  with respect to Terminal 7. A potential of about 2.2V is developed across diode connected PMOS transistor  $Q_1$  with respect to Terminal 7 to provide gate bias for PMOS transistors  $Q_2$  and  $Q_3$ . It should be noted that  $Q_1$  is "mirror connected" to both  $Q_2$  and  $Q_3$ . Since transistors  $Q_1, Q_2, Q_3$  are designed to be identical, the approximately 200 $\mu$ A current in  $Q_1$  establishes a similar current in  $Q_2$  and  $Q_3$  as constant current sources for both the first and second amplifier stages, respectively.

At total supply voltages somewhat less than 8.3V, zener diode  $Z_1$  becomes nonconductive and the potential, developed across series connected  $R_1, D_1$ - $D_4$ , and  $Q_1$ , varies directly with

variations in supply voltage. Consequently, the gate bias for  $Q_4$ ,  $Q_5$  and  $Q_2$ ,  $Q_3$  varies in accordance with supply voltage variations. This variation results in deterioration of the power supply rejection ratio (PSRR) at total supply voltages below 8.3V. Operation at total supply voltages below about 4.5V results in seriously degraded performance.

**Output Stage**

The output stage consists of a drain loaded inverting amplifier using CMOS transistors operating in the Class A mode. When operating into very high resistance load, the output can be swung within mV of either supply rail. Because the output stage is a drain loaded amplifier, its gain is dependent upon the load impedance. The transfer characteristics of the output stage for a load returned to the negative supply rail are shown in Figure 15. Typical op amp loads are readily driven by the output stage. Because large signal excursions are nonlinear, requiring feedback for good waveform reproduction, transient delays may be encountered. As a voltage follower, the amplifier can achieve 0.01% accuracy levels, including the negative supply rail.

**Input Current Variation with Common Mode Input Voltage**

As shown in the Table of Electrical Specifications, the input current for the CA5130 Series Op Amps is typically 5pA at  $T_A = 25^\circ\text{C}$  when Terminals 2 and 3 are at a common mode potential of +7.5V with respect to negative supply Terminal 4. Figure 24 contains data showing the variation of input current as a function of common mode input voltage at  $T_A = 25^\circ\text{C}$ . This data shows that circuit designers can advantageously exploit these characteristics to design circuits which typically require an input current of less than 1pA, provided the common mode input voltage does not exceed 2V. As previously noted, the input current is essentially the result of the leakage current through the gate protection diodes in the input circuit and, therefore, a function of the applied voltage. Although the finite resistance of the glass terminal-to-case insulator of the metal can package also contributes an increment of leakage current, there are useful compensating factors. Because the gate protection network functions as if it is connected to Terminal 4 potential, and the metal can case of the CA5130 is also internally tied to Terminal 4, input Terminal 3 is essentially "guarded" from spurious leakage currents.

**Offset Nulling**

Offset voltage nulling is usually accomplished with a 100,000Ω potentiometer connected across Terminals 1 and 5 and with the potentiometer slider arm connected to Terminal 4. A fine offset null adjustment usually can be effected with the slider arm positioned in the midpoint of the potentiometer's total range.

**Input Current Variation with Temperature**

The input current of the CA5130 Series circuits is typically 5pA at 25°C. The major portion of this input current is due to leakage current through the gate protective diodes in the input circuit. As with any semiconductor junction device, including op amps with a junction FET input stage, the leakage current approximately doubles for every 10°C increase in temperature. Figure 25 provides data on the typical variation of input bias current as a function of temperature in the CA5130.

In applications requiring the lowest practical input current and incremental increases in current because of "warm-up" effects, it is suggested that an appropriate heat sink be used with the CA5130. In addition, when "sinking" or "sourcing" significant output current the chip temperature increases, causing an increase in the input current. In such cases, heat-sinking can also very markedly reduce and stabilize input current variations.

**Input Offset Voltage ( $V_{IO}$ ) Variation with DC Bias vs Device Operating Life**

It is well known that the characteristics of a MOS/FET device can change slightly when a DC gate source bias potential is applied to the device for extended time periods. The magnitude of the change is increased at high temperatures. Users of the CA5130 should be alert to the possible impacts of this effect if the application of the device involves extended operation at high temperatures with a significant differential DC bias voltage applied across Terminals 2 and 3. Figure 26 shows typical data pertinent to shifts in offset voltage encountered with CA5130 devices (metal can package) during life testing. At lower temperatures (metal can and plastic packages), for example at 85°C, this change in voltage is considerably less. In typical linear applications where the differential voltage is small and symmetrical, these incremental changes are of about the same magnitude as those encountered in an operational amplifier employing a bipolar transistor input stage. The 2V differential voltage example represents conditions when the amplifier output stage is "toggled", e.g., as in comparator applications.

**Power-Supply Considerations**

Because the CA5130 is very useful in single supply applications, it is pertinent to review some considerations relating to power supply current consumption under both single and dual supply service. Figures 1A and 1B show the CA5130 connected for both dual and single supply operation.

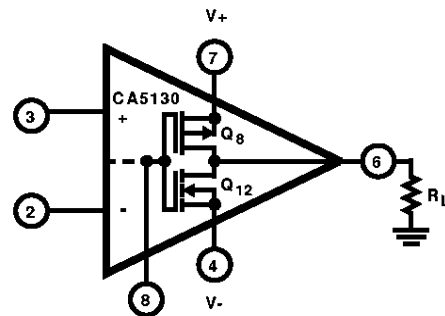


FIGURE 1A. DUAL POWER SUPPLY OPERATION

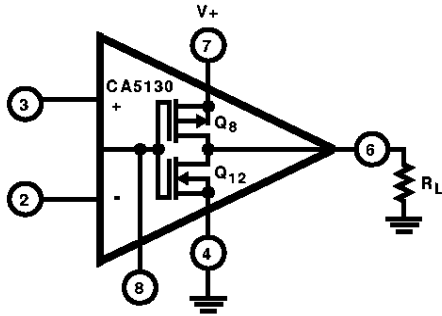


FIGURE 1B. SINGLE POWER SUPPLY OPERATION

FIGURE 1. CA5130 OUTPUT STAGE IN DUAL AND SINGLE POWER SUPPLY OPERATION

Dual supply operation: When the output voltage at Terminal 6 is 0V, the currents supplied by the two power supplies are equal. When the gate terminals of Q<sub>8</sub> and Q<sub>12</sub> are driven increasingly positive with respect to ground, current flow through Q<sub>12</sub> (from the negative supply) to the load is increased and current flow through Q<sub>8</sub> (from the positive supply) decreases correspondingly. When the gate terminals of Q<sub>8</sub> and Q<sub>12</sub> are driven increasingly negative with respect to ground, current flow through Q<sub>8</sub> is increased and current flow through Q<sub>12</sub> is decreased accordingly.

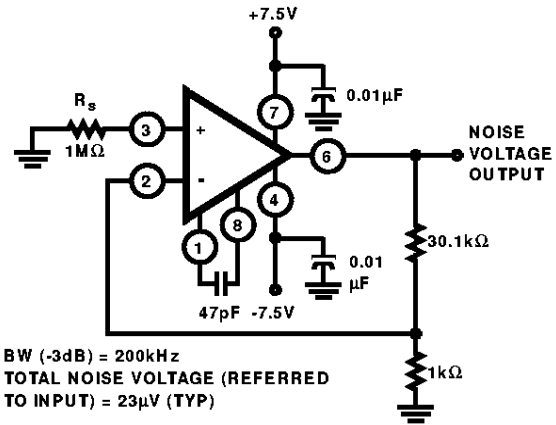
Single supply operation: Initially, let it be assumed that the value of R<sub>L</sub> is very high (or disconnected), and that the input terminal bias (Terminals 2 and 3) is such that the output terminal (No. 6) voltage is at V<sub>+</sub>/2, i.e., the voltage drops across Q<sub>8</sub> and Q<sub>12</sub> are of equal magnitude. Figure 16 shows typical quiescent supply current vs supply voltage for the CA5130 operated under these conditions. Since the output stage is operating as a Class A amplifier, the supply current will remain constant under dynamic operating conditions as long as the transistors are operated in the linear portion of their voltage transfer characteristics (see Figure 15). If either Q<sub>8</sub> or Q<sub>12</sub> are swung out of their linear regions toward cutoff (a nonlinear region), there will be a corresponding reduction in supply current. In the extreme case, e.g., with Terminal 8 swung down to ground potential (or tied to ground), NMOS transistor Q<sub>12</sub> is completely cut off and the supply current to series connected transistors Q<sub>8</sub>, Q<sub>12</sub> goes essentially to zero. The two preceding stages in the CA5130, however, continue to draw modest supply current (see the lower curve in Figure 16) even though the output stage is strobed off. Figure 1A shows a dual supply arrangement for the output stage that can also be strobed off, assuming R<sub>L</sub> = ∞, by pulling the potential of Terminal 8 down to that of Terminal 4.

Let it now be assumed that a load resistance of nominal value (e.g., 2kΩ) is connected between Terminal 6 and ground in the circuit of Figure 1B. Let it further be assumed that the input terminal bias (Terminals 2 and 3) is such that the output terminal (No. 6) voltage is at V<sub>+</sub>/2. Since PMOS transistor Q<sub>8</sub> must now supply quiescent current to both R<sub>L</sub> and transistor Q<sub>12</sub>, it should be apparent that under these conditions the supply current must increase as an inverse function of the R<sub>L</sub>

magnitude. Figure 22 shows the voltage drop across PMOS transistor Q<sub>8</sub> as a function of load current at several supply voltages. Figure 15 shows the voltage transfer characteristics of the output stage for several values of load resistance.

**Wideband Noise**

From the standpoint of low noise performance considerations, the use of the CA5130 is most advantageous in applications where the source resistance of the input signal is on the order of 1MΩ or more. In this case, the total input referred noise voltage is typically only 23μV when the test circuit amplifier of Figure 2 is operated at a total supply voltage of 15V. This value of total input referred noise remains essentially constant, even though the value of source resistance is raised by an order of magnitude. This characteristic is due to the fact that reactance of the input capacitance becomes a significant factor in shunting the source resistance. It should be noted, however, that for values of source resistance very much greater than 1MΩ, the total noise voltage generated can be dominated by the thermal noise contributions of both the feedback and source resistors.



BW (-3dB) = 200kHz  
TOTAL NOISE VOLTAGE (REFERRED TO INPUT) = 23μV (TYP)

FIGURE 2. CA5130 OUTPUT STAGE IN DUAL AND SINGLE POWER SUPPLY OPERATION

**Typical Applications**

**Voltage Followers**

Operational amplifiers with very high input resistances, like the CA5130, are particularly suited to service as voltage followers. Figure 3 shows the circuit of a classical voltage follower, together with pertinent waveforms using the CA5130 in a split supply configuration.

A voltage follower, operated from a single supply, is shown in Figure 4, together with related waveforms. This follower circuit is linear over a wide dynamic range, as illustrated by the reproduction of the output waveform in Figure 4A with input signal ramping. The waveforms in Figure 4B show that the follower does not lose its input-to-output phase sense, even though the input is being swung 7.5V below ground potential. This unique characteristic is an important attribute in both operational amplifier and comparator applications. Figure 4B also shows the manner in which the CMOS output stage

## CA5130, CA5130A

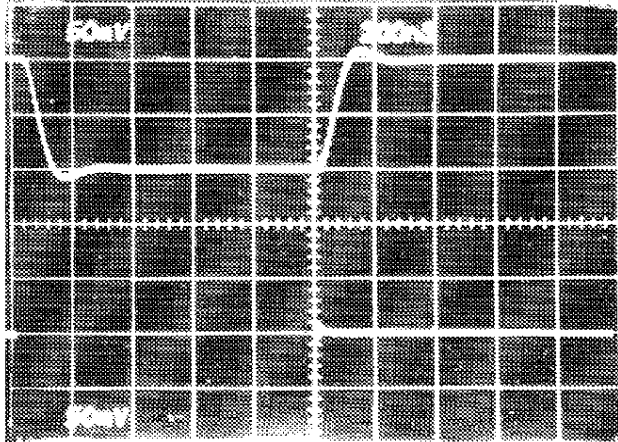
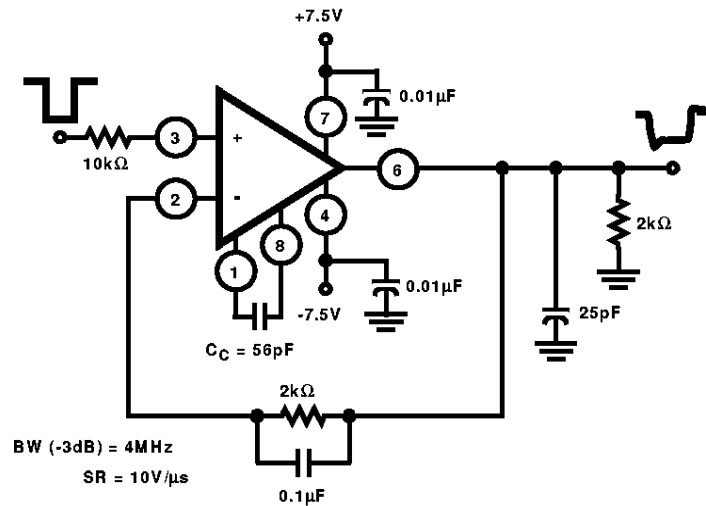
permits the output signal to swing down to the negative supply rail potential (i.e., ground in the case shown). The digital-to-analog converter (DAC) circuit, described in the following section, illustrates the practical use of the CA5130 in a single supply voltage follower application.

### 9-Bit CMOS DAC

A typical circuit of a 9-bit Digital-to-Analog Converter (DAC) (see Note) is shown in Figure 5. This system combines the concepts of multiple switch CMOS ICs, a low cost ladder net-

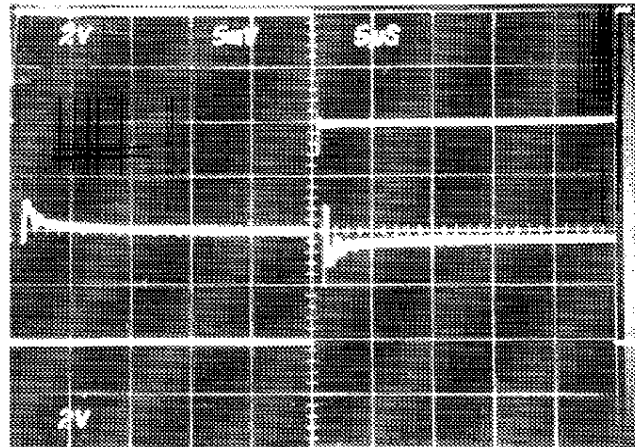
work of discrete metal-oxide film resistors, a CA5130 op amp connected as a follower, and an inexpensive monolithic regulator in a simple single power supply arrangement. An additional feature of the DAC is that it is readily interfaced with CMOS input logic, e.g., 10V logic levels are used in the circuit of Figure 5.

NOTE: "Digital-to-Analog Conversion Using the Harris CD4007A CMOS IC", Application Note AN6080.



Top Trace: Output  
Bottom Trace: Input

FIGURE 3A. SMALL SIGNAL RESPONSE (50mV/DIV., 200ns/DIV.)



Top Trace: Output Signal = 2V/Div., 5μs/Div.  
Center Trace: Difference Signal = 5mV/Div., 5μs/Div.  
Bottom Trace: Input Signal = 2V/Div., 5μs/Div.

FIGURE 3B. INPUT OUTPUT DIFFERENCE SIGNAL SHOWING  
SETTLING TIME (MEASUREMENT MADE WITH  
TEKTRONIX 7A13 DIFFERENTIAL AMPLIFIER)

FIGURE 3. CA5130 SPLIT SUPPLY VOLTAGE FOLLOWER WITH ASSOCIATED WAVEFORMS



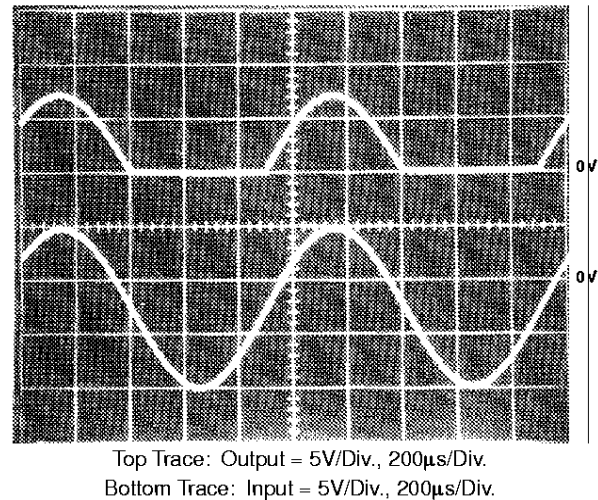
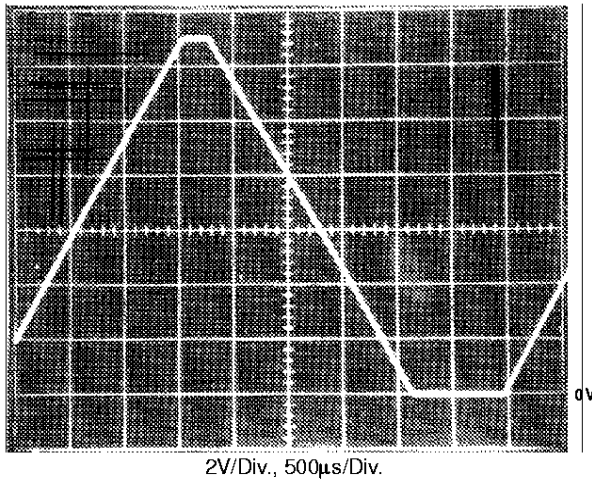
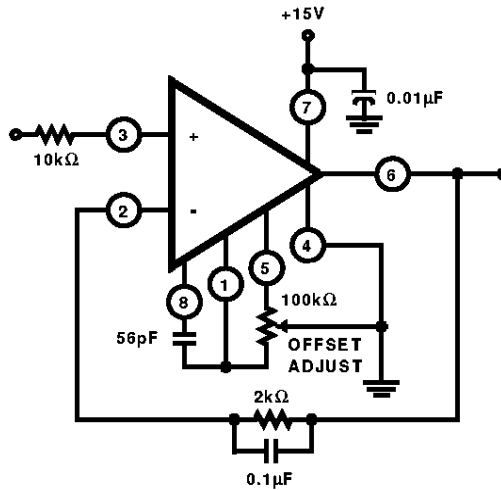


FIGURE 4A. OUTPUT WAVEFORM WITH INPUT SIGNAL RAMPING

FIGURE 4B. OUTPUT WAVEFORM WITH GROUND REFERENCE SINE WAVE INPUT

FIGURE 4. SINGLE SUPPLY VOLTAGE FOLLOWER WITH ASSOCIATED WAVEFORMS. (e.g., FOR USE IN SINGLE SUPPLY D/A CONVERTER; SEE FIGURE 9 IN AN6080)

The circuit uses an R/2R voltage ladder network, with the output potential obtained directly by terminating the ladder arms at either the positive or the negative power supply terminal. Each CD4007A contains three "inverters", each "inverter" functioning as a single pole double throw switch to terminate an arm of the R/2R network at either the positive or negative power supply terminal. The resistor ladder is an assembly of one percent tolerance metal oxide film resistors. The five arms requiring the highest accuracy are assembled with series and parallel combinations of 806,000Ω resistors from the same manufacturing lot.

A single 15V supply provides a positive bus for the CA5130 follower amplifier and feeds the CA3085 voltage regulator. A "scale adjust" function is provided by the regulator output control, set to a nominal 10V level in this system. The line voltage regulation (approximately 0.2%) permits a 9-bit accuracy to be maintained with variations of several volts in the supply. The flexibility afforded by the CMOS building blocks simplifies the design of DAC systems tailored to particular needs.

**Single Supply, Absolute Value, Ideal Full Wave Rectifier**

The absolute value circuit using the CA5130 is shown in Figure 6. During positive excursions, the input signal is fed through the feedback network directly to the output. Simultaneously, the positive excursion of the input signal also drives the output terminal (No. 6) of the inverting amplifier in a negative going excursion such that the 1N914 diode effectively disconnects the amplifier from the signal path. During a negative going excursion of the input signal, the CA5130 functions as a normal inverting amplifier with a gain equal to  $-R_2/R_1$ . When the equality of the two equations shown in Figure 6 is satisfied, the full wave output is symmetrical.

**Peak Detectors**

Peak detector circuits are easily implemented with the CA5130, as illustrated in Figure 7 for both the peak positive and the peak negative circuit. It should be noted that with large signal inputs, the bandwidth of the peak negative circuit is much less than that of the peak positive circuit. The

second stage of the CA5130 limits the bandwidth in this case. Negative going output signal excursion requires a positive going signal excursion at the collector of transistor  $Q_{11}$ , which is loaded by the intrinsic capacitance of the associated circuitry in this mode. On the other hand, during a negative going signal excursion at the collector of  $Q_{11}$ , the transistor functions in active "pull down" mode so that the intrinsic capacitance can be discharged more expeditiously.

#### Error Amplifier In Regulated Power Supplies

The CA5130 is an ideal choice for error amplifier service in regulated power supplies since it can function as an error amplifier when the regulated output voltage is required to approach 0V. Figure 8 shows the schematic diagram of a 40mA power supply capable of providing regulated output voltage by continuous adjustment over the range from 0V to 13V.  $Q_3$  and  $Q_4$  in  $IC_2$  (a CA3066 transistor array IC) function as zeners to provide supply voltage for the CA5130 comparator ( $IC_1$ ).  $Q_1$ ,  $Q_2$ , and  $Q_5$  in  $IC_2$  are configured as a low impedance, temperature compensated source of adjustable reference voltage for the error amplifier.

Transistors  $Q_1$ ,  $Q_2$ ,  $Q_3$ , and  $Q_4$  in  $IC_3$  (another CA3086 transistor array IC) are connected in parallel as the series pass element. Transistor  $Q_5$  in  $IC_3$  functions as a current limiting device by diverting base drive from the series pass transistors, in accordance with the adjustment of resistor  $R_2$ .

Figure 9 contains the schematic diagram of a regulated power supply capable of providing regulated output voltage by continuous adjustment over the range from 0.1V to 50V and currents up to 1A. The error amplifier ( $IC_1$ ) and circuitry associated with  $IC_2$  function as previously described, although the output of  $IC_1$  is boosted by a discrete transistor ( $Q_4$ ) to provide adequate base drive for the Darlington connected series pass transistors  $Q_1$ ,  $Q_2$ . Transistor  $Q_3$  functions in the previously described current limiting circuit.

#### Multivibrators

The exceptionally high input resistance presented by the CA5130 is an attractive feature for multivibrator circuit design because it permits the use of timing circuits with high R/C ratios. The circuit diagram of a pulse generator (astable multivibrator), with provisions for independent control of the "on" and "off" periods, is shown in Figure 10. Resistors  $R_1$  and  $R_2$  are used to bias the CA5130 to the midpoint of the supply voltage and  $R_3$  is the feedback resistor. The pulse repetition rate is selected by positioning  $S_1$  to the desired position and the rate remains essentially constant when the resistors which determine "on period" and "off period" are adjusted.

#### Function Generator

Figure 11 contains a schematic diagram of a function generator using the CA5130 in the integrator and threshold detector functions. This circuit generates a triangular or square wave output that can be swept over a 1,000,000:1 range (0.1Hz to 100kHz) by means of a single control,  $R_1$ . A voltage control input is also available for remote sweep control.

The heart of the frequency determining system is an operational transconductance amplifier (OTA) (see Note 9),  $IC_1$ , operated as a voltage controlled current source. The output,  $I_O$ , is a current applied directly to the integrating capacitor,  $C_1$ , in the feedback loop of the integrator  $IC_2$ , using a CA5130, to provide the triangular wave output. Potentiometer  $R_2$  is used to adjust the circuit for slope symmetry of positive going and negative going signal excursions.

Another CA5130,  $IC_3$ , is used as a controlled switch to set the excursion limits of the triangular output from the integrator circuit. Capacitor  $C_2$  is a "peaking adjustment" to optimize the high frequency square wave performance of the circuit.

Potentiometer  $R_3$  is adjustable to perfect the "amplitude symmetry" of the square wave output signals. Output from the threshold detector is fed back via resistor  $R_4$  to the input of  $IC_1$  so as to toggle the current source from plus to minus in generating the linear triangular wave.

#### Operation with Output Stage Power-Booster

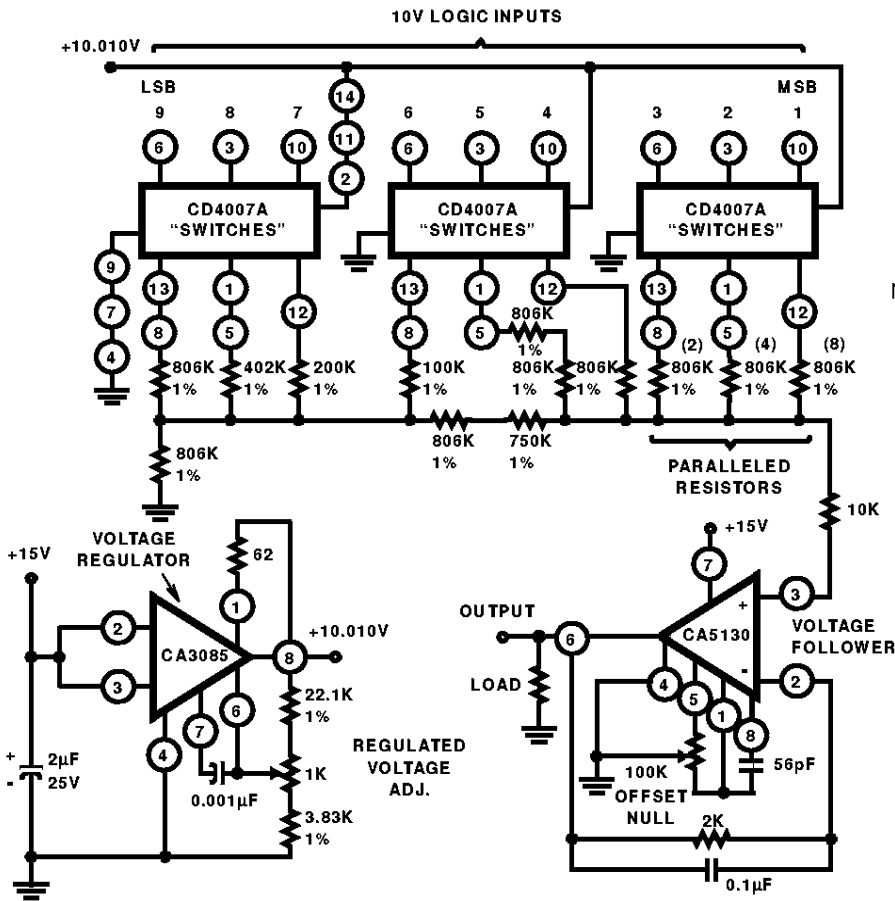
The current sourcing and sinking capability of the CA5130 output stage is easily supplemented to provide power boost capability. In the circuit of Figure 12, three CMOS transistor pairs in a single CA3600E (see Note 10) IC array are shown parallel connected with the output stage in the CA5130. In the Class A mode of CA3600E shown, a typical device consumes 20mA of supply current at 15V operation. This arrangement boosts the current handling capability of the CA5130 output stage by about 2.5X.

The amplifier circuit in Figure 12 employs feedback to establish a closed-loop gain of 48dB. The typical large signal bandwidth (-3dB) is 50kHz.

#### NOTES:

9. See File No. 475 and AN6668.
10. See File No. 619 for technical information.

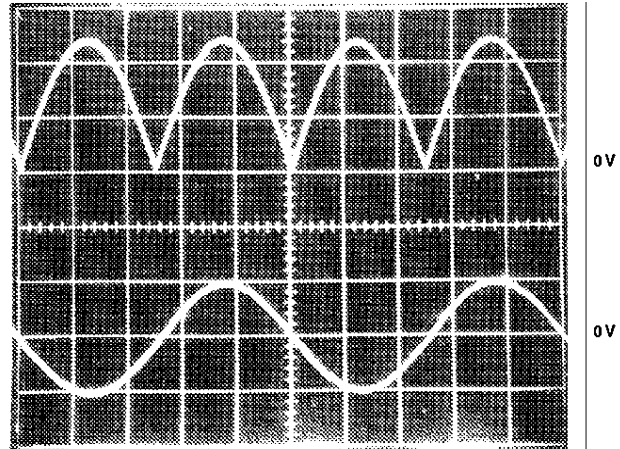
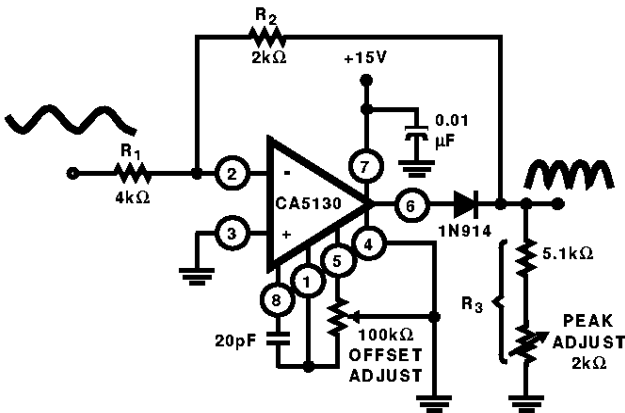
# CA5130, CA5130A



BIT	REQUIRED RATIO-MATCH
1	STANDARD
2	±0.1%
3	±0.2%
4	±0.4%
5	±0.8%
6 - 9	±1% ABS

NOTE: All Resistances are In Ohms.

FIGURE 5. 9-BIT DAC USING CMOS DIGITAL SWITCHES AND CA5130



Top Trace: Output Signal = 2V/Div.  
 Bottom Trace: Input Signal = 10V/Div.  
 Time base on both traces = 0.2ms/Div.

$$\text{Gain} = \frac{R_2}{R_1} = X = \frac{R_3}{R_1 + R_2 + R_3}$$

$$R_3 = R_1 \left( \frac{X + X^2}{1 - X} \right)$$

$$\text{For } X = 0.5: \frac{2k\Omega}{4k\Omega} = \frac{R_2}{R_1}$$

$$R_3 = 4k\Omega \left( \frac{0.75}{0.5} \right) = 6k\Omega$$

20V<sub>p-p</sub> Input: BW (-3dB) = 230kHz, DC Output (Avg) = 3.2V  
 1V<sub>p-p</sub> Input: BW (-3dB) = 130kHz, DC Output (Avg) = 160mV

FIGURE 6. SINGLE SUPPLY, ABSOLUTE VALUE, IDEAL FULL WAVE RECTIFIER WITH ASSOCIATED WAVEFORMS

CA5130, CA5130A

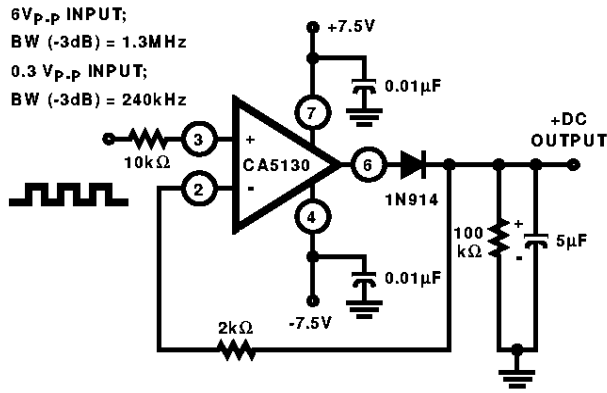


FIGURE 7A. PEAK POSITIVE DETECTOR CIRCUIT

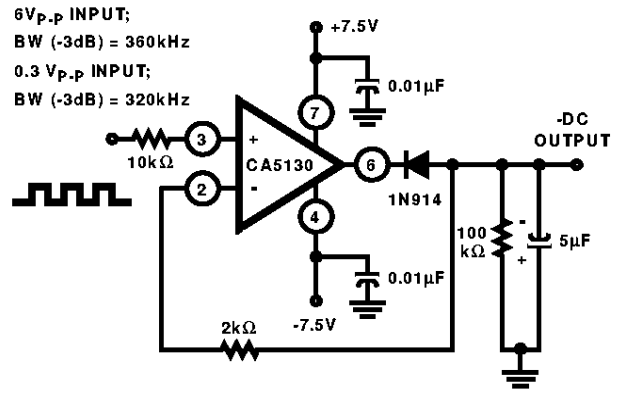
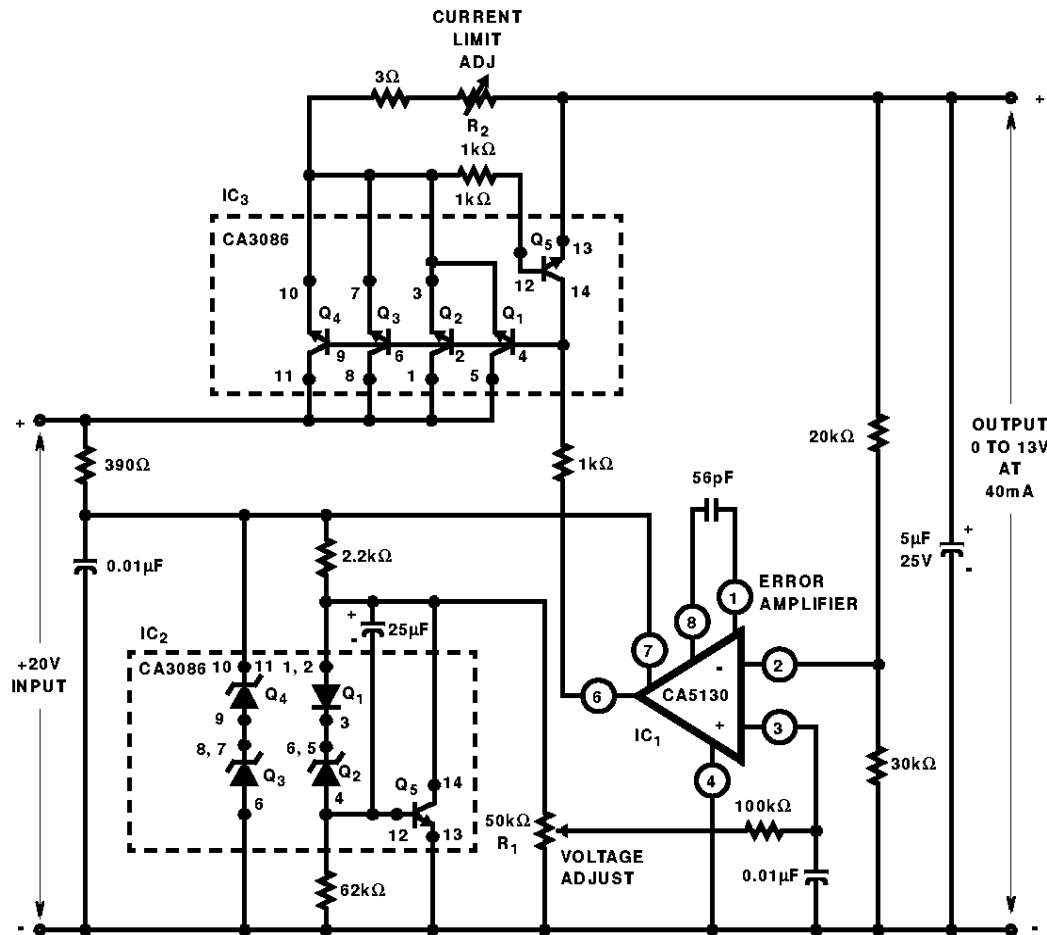


FIGURE 7B. PEAK NEGATIVE DETECTOR CIRCUIT

FIGURE 7. PEAK-DETECTOR CIRCUITS



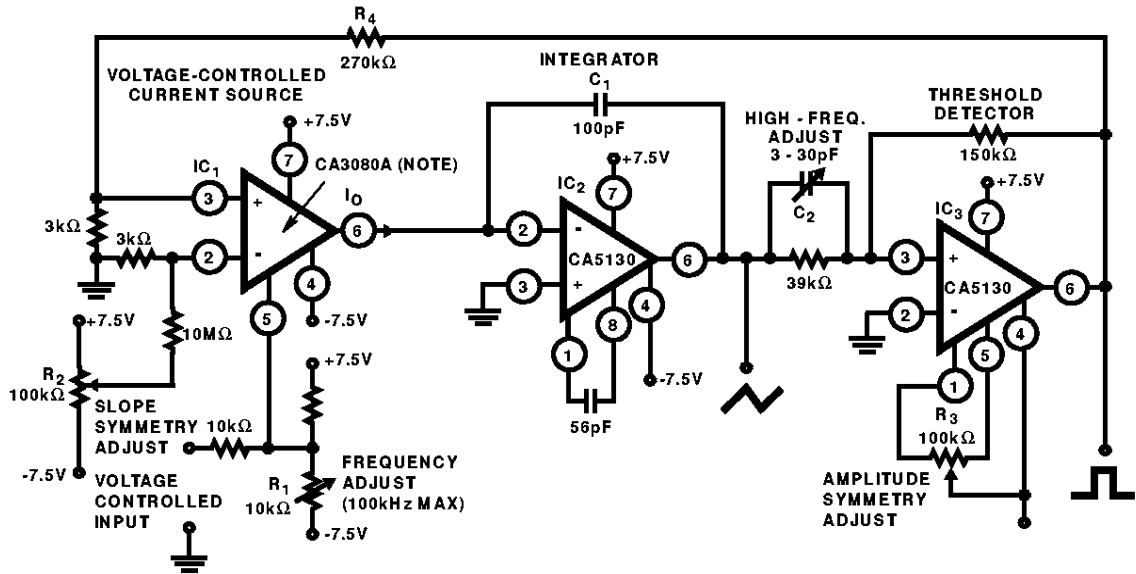
NOTES:

- 11. Regulation (no load to full load): <0.01%.
- 12. Input Regulation: 0.02%/V.
- 13. Hum and noise output: <25μV up to 100kHz.

FIGURE 8. VOLTAGE REGULATOR CIRCUIT (0V TO 13V AT 40mA)

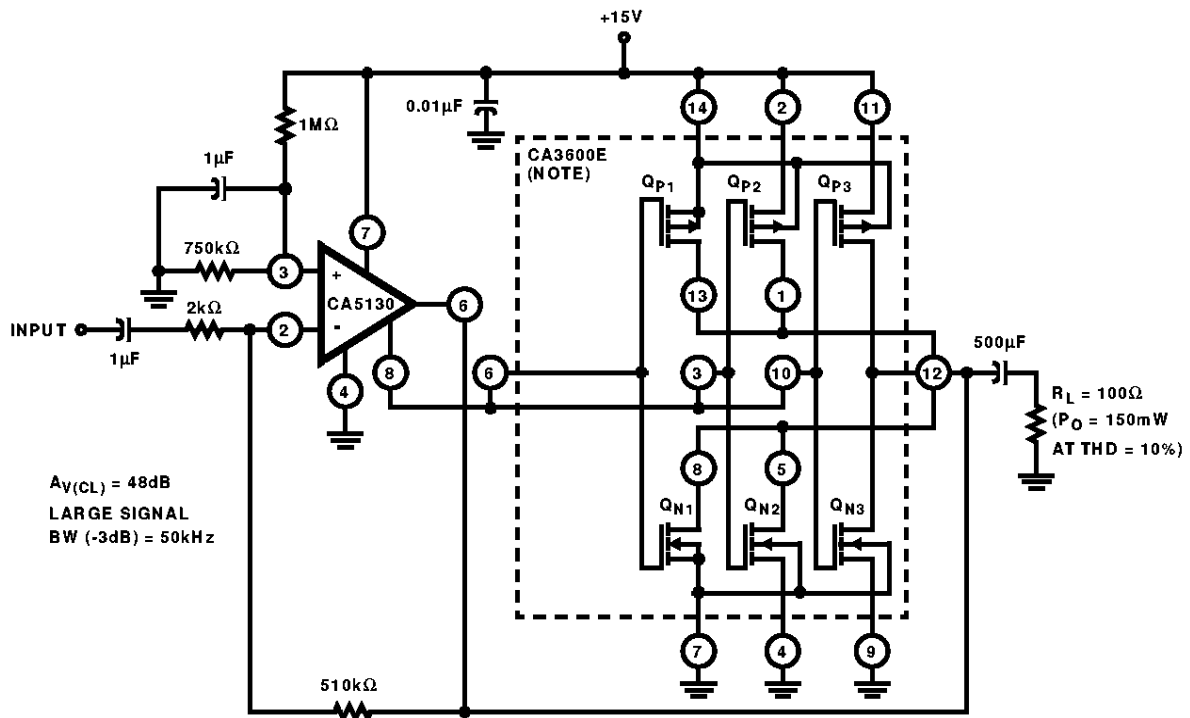


CA5130, CA5130A



NOTE: See File Number 475 and AN6668 for technical information.

FIGURE 11. FUNCTION GENERATOR (FREQUENCY CAN BE VARIED 1,000,000/1 WITH A SINGLE CONTROL)



NOTE: Transistors QP<sub>1</sub>, QP<sub>2</sub>, QP<sub>3</sub> and QN<sub>1</sub>, QN<sub>2</sub>, QN<sub>3</sub> are parallel connected with Q<sub>8</sub> and Q<sub>12</sub>, respectively, of the CA5130. See File Number 619.

FIGURE 12. CMOS TRANSISTOR ARRAY (CA3600E) CONNECTED AS POWER BOOSTER IN THE OUTPUT STAGE OF THE CA5130

Typical Performance Curves

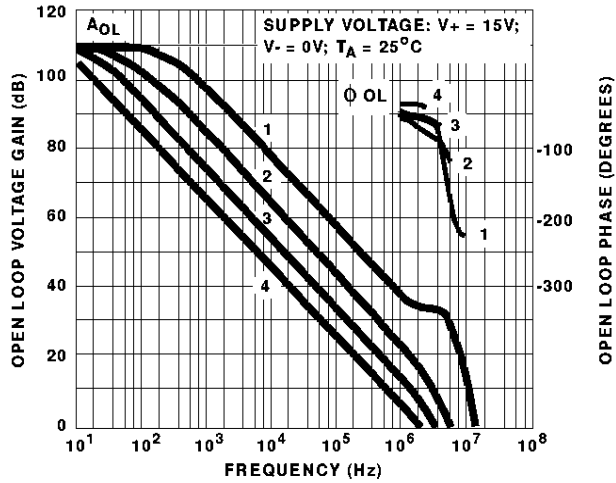


FIGURE 13. OPEN LOOP VOLTAGE GAIN AND PHASE SHIFT vs FREQUENCY

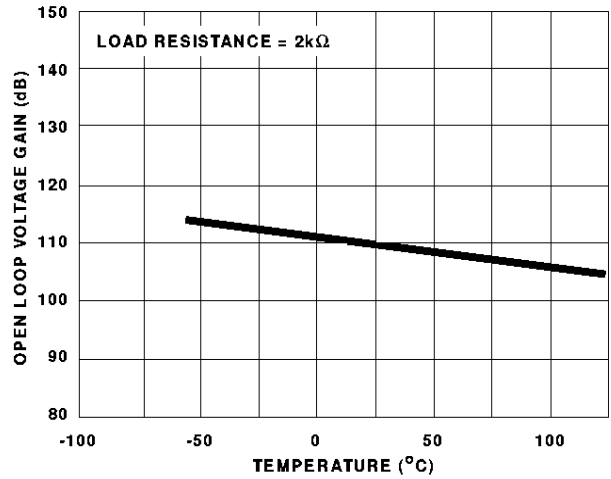


FIGURE 14. OPEN LOOP GAIN vs TEMPERATURE

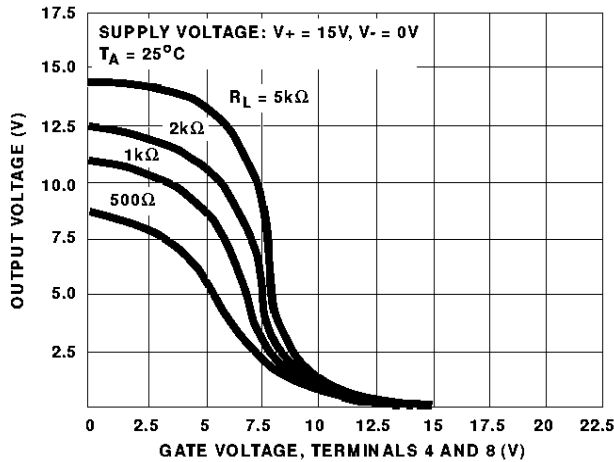


FIGURE 15. VOLTAGE TRANSFER CHARACTERISTICS OF CMOS OUTPUT STAGE

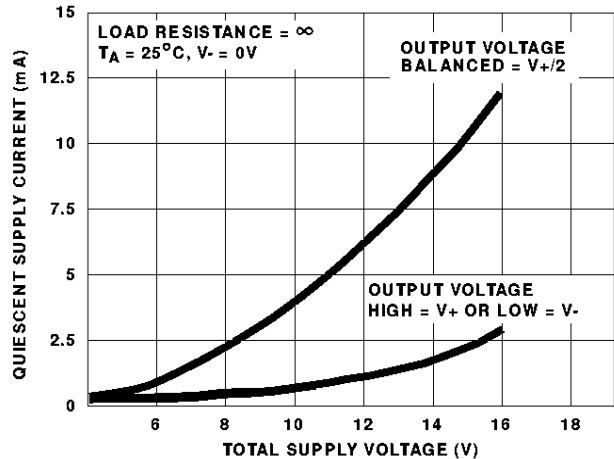


FIGURE 16. QUIESCENT SUPPLY CURRENT vs SUPPLY VOLTAGE

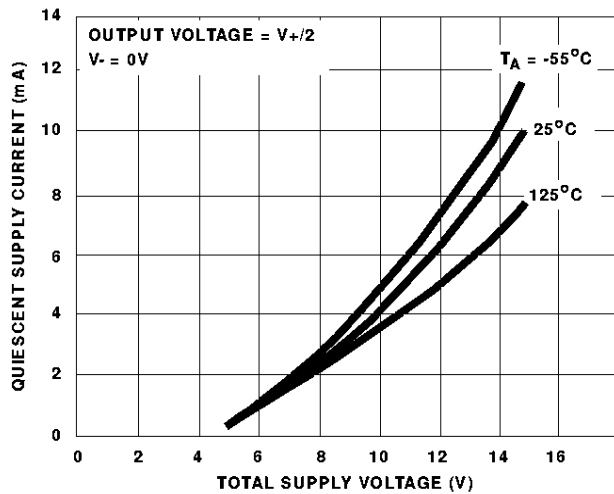


FIGURE 17. QUIESCENT SUPPLY CURRENT vs SUPPLY VOLTAGE

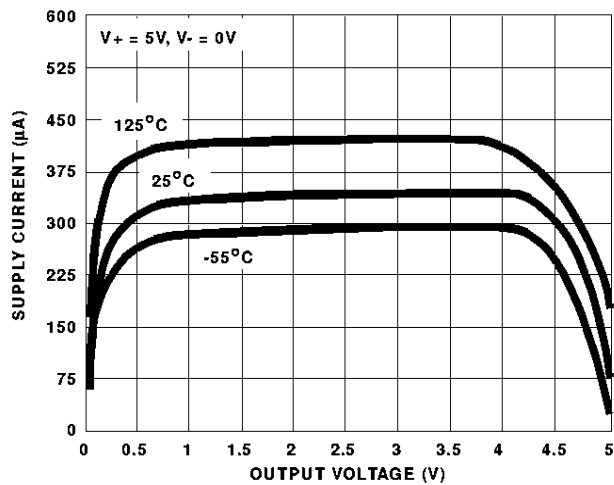


FIGURE 18. SUPPLY CURRENT vs OUTPUT VOLTAGE

Typical Performance Curves (Continued)

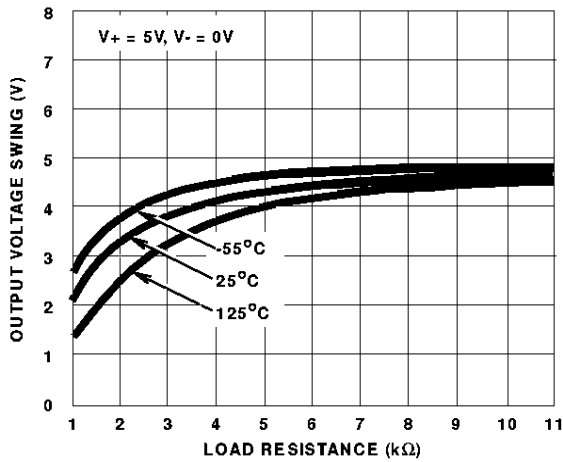


FIGURE 19. OUTPUT VOLTAGE SWING vs LOAD RESISTANCE

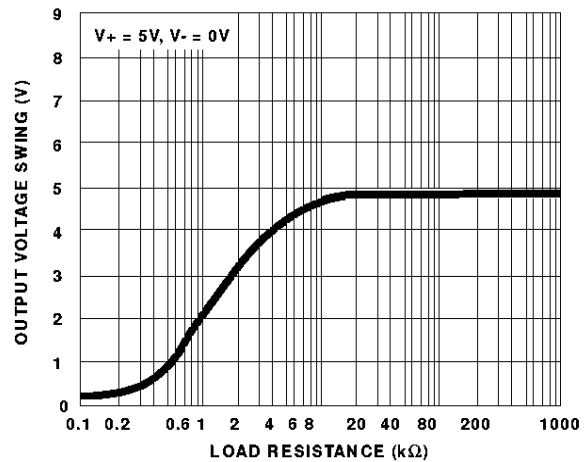


FIGURE 20. OUTPUT SWING vs LOAD RESISTANCE

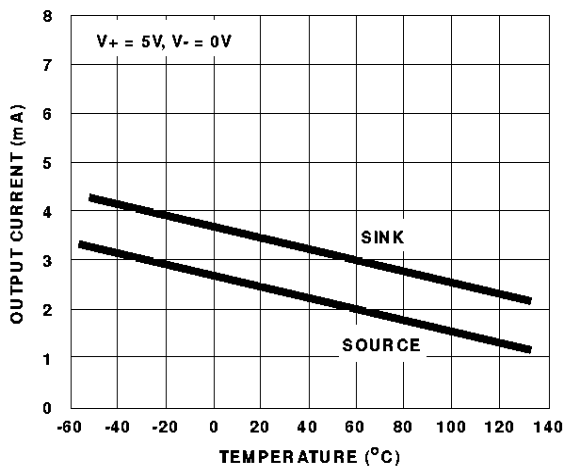


FIGURE 21. OUTPUT CURRENT vs TEMPERATURE

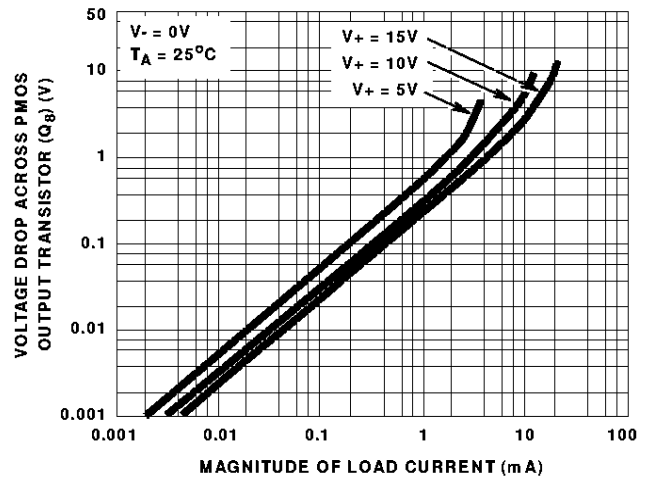


FIGURE 22. VOLTAGE ACROSS PMOS OUTPUT TRANSISTOR ( $Q_8$ ) vs LOAD CURRENT

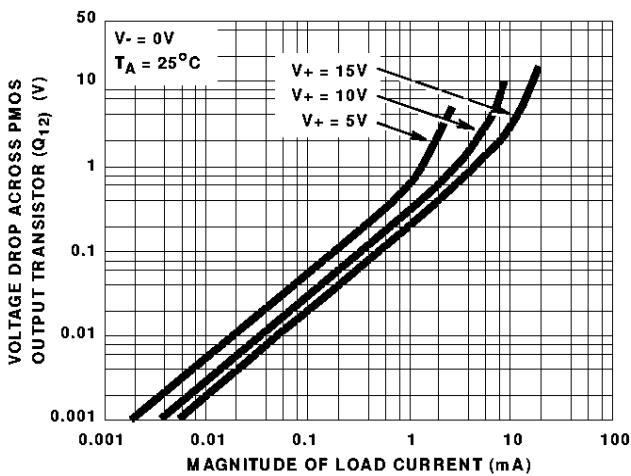


FIGURE 23. VOLTAGE ACROSS NMOS OUTPUT TRANSISTOR ( $Q_{12}$ ) vs LOAD CURRENT

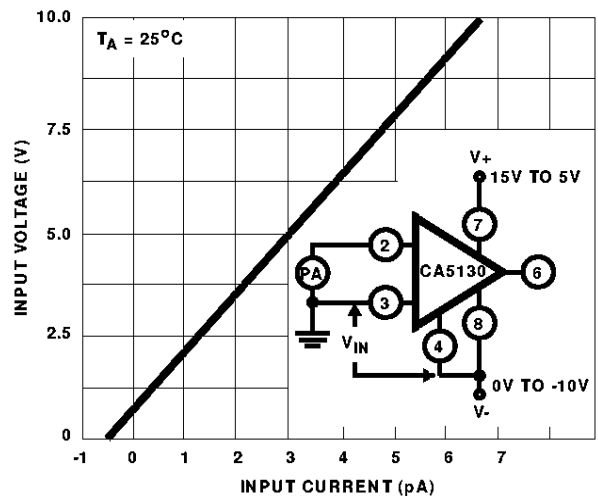


FIGURE 24. INPUT CURRENT vs COMMON MODE VOLTAGE



**Typical Performance Curves** (Continued)

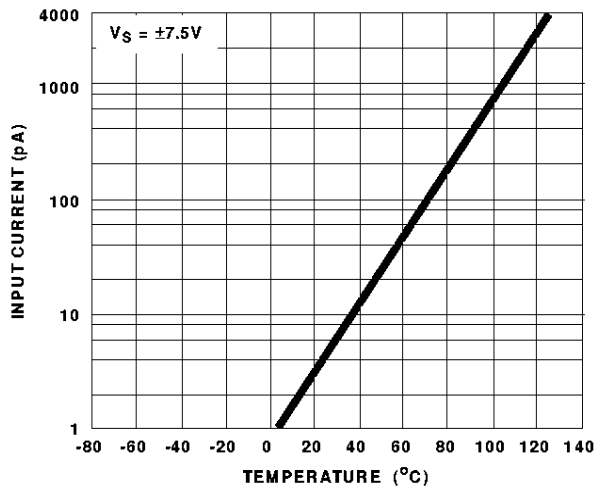


FIGURE 25. INPUT CURRENT vs TEMPERATURE

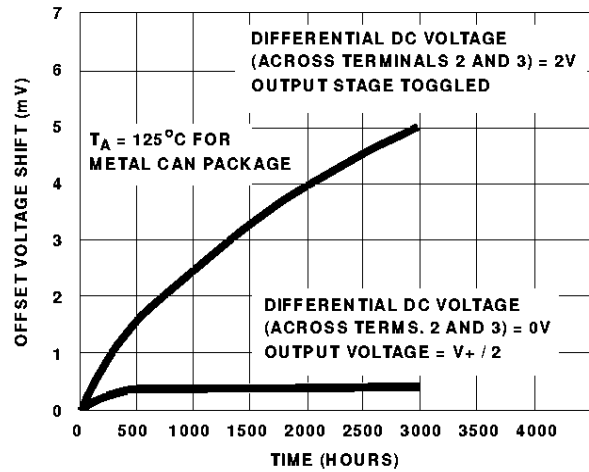


FIGURE 26. TYPICAL INCREMENTAL OFFSET VOLTAGE SHIFT vs OPERATING LIFE

All Harris Semiconductor products are manufactured, assembled and tested under **ISO9000** quality systems certification.

*Harris Semiconductor products are sold by description only. Harris Semiconductor reserves the right to make changes in circuit design and/or specifications at any time without notice. Accordingly, the reader is cautioned to verify that data sheets are current before placing orders. Information furnished by Harris is believed to be accurate and reliable. However, no responsibility is assumed by Harris or its subsidiaries for its use; nor for any infringements of patents or other rights of third parties which may result from its use. No license is granted by implication or otherwise under any patent or patent rights of Harris or its subsidiaries.*

**Sales Office Headquarters**

For general information regarding Harris Semiconductor and its products, call **1-800-4-HARRIS**

**NORTH AMERICA**  
 Harris Semiconductor  
 P. O. Box 883, Mail Stop 53-210  
 Melbourne, FL 32902  
 TEL: 1-800-442-7747  
 (407) 729-4984  
 FAX: (407) 729-5321

**EUROPE**  
 Harris Semiconductor  
 Mercure Center  
 100, Rue de la Fusee  
 1130 Brussels, Belgium  
 TEL: (32) 2.724.2111  
 FAX: (32) 2.724.22.05

**ASIA**  
 Harris Semiconductor PTE Ltd.  
 No. 1 Tannery Road  
 Cencon 1, #09-01  
 Singapore 1334  
 TEL: (65) 748-4200  
 FAX: (65) 748-0400

