

FEATURES

Dual, simultaneous sampling, 14-bit, 2-channel ADC
True differential analog inputs
Programmable gain stage: $\times 1, \times 2, \times 3, \times 4, \times 6, \times 8, \times 12, \times 16,$
 $\times 24, \times 32, \times 48, \times 64, \times 96, \times 128$
Throughput rate per ADC
1 MSPS for AD7264
500 kSPS for AD7264-5
Analog input impedance: $>1\text{ G}\Omega$
Wide input bandwidth
 -3 dB bandwidth: 1.7 MHz at gain = 2
4 on-chip comparators
SNR: 78 dB typical at gain = 2, 71 dB typical at gain = 32
Device offset calibration
System gain calibration
On-chip reference: 2.5 V
 -40°C to $+105^\circ\text{C}$ operation
High speed serial interface
Compatible with SPI, QSPI™, MICROWIRE™, and DSP
48-lead LFCSP and LQFP packages

GENERAL DESCRIPTION

The AD7264 is a dual, 14-bit, high speed, low power, successive approximation ADC that operates from a single 5 V power supply and features throughput rates of up to 1 MSPS per on-chip ADC (500 kSPS for the AD7264-5). Two complete ADC functions allow simultaneous sampling and conversion of two channels. Each ADC is preceded by a true differential analog input with a PGA. There are 14 gain settings available: $\times 1, \times 2, \times 3, \times 4, \times 6, \times 8, \times 12, \times 16, \times 24, \times 32, \times 48, \times 64, \times 96,$ and $\times 128$.

The AD7264 contains four comparators. Comparator A and Comparator B are optimized for low power, whereas Comparator C and Comparator D have fast propagation delays. The AD7264 features a calibration function to remove any device offset error and programmable gain adjust registers to allow input path (for example, sensor) offset and gain compensation. The AD7264 has an on-chip 2.5 V reference that can be disabled if an external reference is preferred. The AD7264 is available in 48-lead LFCSP and LQFP packages.

The AD7264 is ideally suited for monitoring small amplitude signals from a variety of sensors. The devices include all the functionality needed for monitoring the position feedback signals from a variety of analog encoders used in motor control systems.

FUNCTIONAL BLOCK DIAGRAM

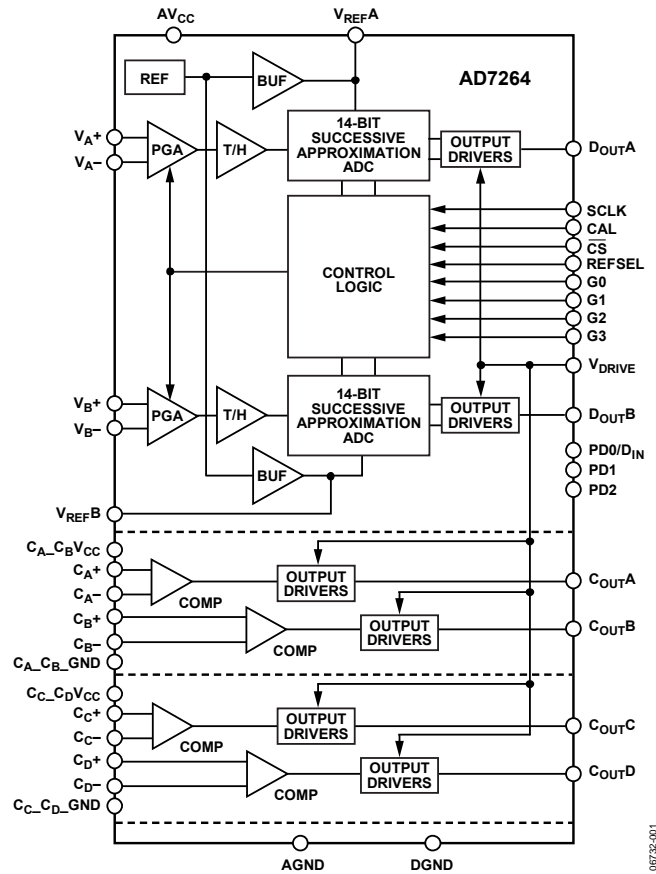


Figure 1.

PRODUCT HIGHLIGHTS

1. Integrated PGA with a variety of flexible gain settings to allow detection and conversion of low level analog signals.
2. Each PGA is followed by a dual simultaneous sampling ADC, featuring throughput rates of 1 MSPS per ADC (500 kSPS for the AD7264-5). The conversion result of both ADCs is simultaneously available on separate data lines or in succession on one data line if only one serial port is available.
3. Four integrated comparators that can be used to count signals from pole sensors in motor control applications.
4. Internal 2.5 V reference.

Rev. D

[Document Feedback](#)

Information furnished by Analog Devices is believed to be accurate and reliable. However, no responsibility is assumed by Analog Devices for its use, nor for any infringements of patents or other rights of third parties that may result from its use. Specifications subject to change without notice. No license is granted by implication or otherwise under any patent or patent rights of Analog Devices. Trademarks and registered trademarks are the property of their respective owners.

One Technology Way, P.O. Box 9106, Norwood, MA 02062-9106, U.S.A.
 Tel: 781.329.4700 ©2008–2017 Analog Devices, Inc. All rights reserved.
[Technical Support](#) www.analog.com

AD7264* PRODUCT PAGE QUICK LINKS

Last Content Update: 05/27/2017

COMPARABLE PARTS

View a parametric search of comparable parts.

EVALUATION KITS

- AD7264 Evaluation Board

DOCUMENTATION

Application Notes

- AN-1397: Using the ADM3065E 50 Mbps RS-485 Transceiver in EnDat Motor Control Encoder Applications

Data Sheet

- AD7264: 1 MSPS, 14-Bit, Simultaneous Sampling SAR ADC with PGA and Four Comparators Data Sheet

REFERENCE MATERIALS

Technical Articles

- MS-2210: Designing Power Supplies for High Speed ADC

DESIGN RESOURCES

- AD7264 Material Declaration
- PCN-PDN Information
- Quality And Reliability
- Symbols and Footprints

DISCUSSIONS

View all AD7264 EngineerZone Discussions.

SAMPLE AND BUY

Visit the product page to see pricing options.

TECHNICAL SUPPORT

Submit a technical question or find your regional support number.

DOCUMENT FEEDBACK

Submit feedback for this data sheet.

TABLE OF CONTENTS

| | | | |
|--|----|--|----|
| Features | 1 | Typical Connection Diagrams..... | 17 |
| General Description | 1 | Application Details..... | 20 |
| Functional Block Diagram | 1 | Modes of Operation | 21 |
| Product Highlights | 1 | Pin Driven Mode..... | 21 |
| Revision History | 2 | Gain Selection | 21 |
| Specifications..... | 3 | Power-Down Modes | 21 |
| Timing Specifications | 6 | Control Register | 22 |
| Absolute Maximum Ratings..... | 7 | On-Chip Registers..... | 23 |
| ESD Caution..... | 7 | Serial Interface | 24 |
| Pin Configurations and Function Descriptions | 8 | Calibration..... | 26 |
| Typical Performance Characteristics | 10 | Internal Offset Calibration..... | 26 |
| Terminology | 14 | Adjusting the Offset Calibration Register..... | 27 |
| Theory of Operation | 15 | System Gain Calibration..... | 27 |
| Circuit Information..... | 15 | Applications Information | 28 |
| Comparators..... | 15 | Grounding and Layout | 28 |
| Operation..... | 15 | PCB Design Guidelines for LFCSP | 28 |
| Analog Inputs..... | 15 | Outline Dimensions | 29 |
| V _{DRIVE} | 16 | Ordering Guide | 29 |
| Reference | 16 | | |

REVISION HISTORY

5/2017—Rev. C to Rev. D

| | |
|----------------------------------|------------|
| Changed CP-48-1 to CP-48-4 | Throughout |
| Changes to Figure 4..... | 8 |
| Updated Outline Dimensions | 29 |
| Changes to Ordering Guide | 29 |

12/2015—Rev. B to Rev. C

| | |
|---------------------------|----|
| Changes to Table 1..... | 3 |
| Changes to Figure 28..... | 20 |

11/2012—Rev. A to Rev. B

| | |
|---|----|
| Changes to Digital Input Voltage to DGND Parameter, Table 3 | 7 |
| Updated Outline Dimensions | 28 |

7/2008—Rev. 0 to Rev. A

| | |
|--|-----------|
| Added AD7264-5..... | Universal |
| Added LQFP Package | Universal |
| Changes to Figure 1..... | 1 |
| Changes to Common-Mode Voltage Range, VCM Parameter ... | 3 |
| Changes to Table 3..... | 7 |
| Changes to Pin Configuration and Function Description Section..... | 8 |
| Changes to Figure 29..... | 19 |
| Updated Outline Dimensions | 28 |
| Changes to Ordering Guide | 29 |

5/2008—Revision 0: Initial Version

SPECIFICATIONS

$AV_{CC} = 4.75\text{ V to }5.25\text{ V}$, $C_{A_CB}V_{CC} = C_{C_CD}V_{CC} = 2.7\text{ V to }5.25\text{ V}$, $V_{DRIVE} = 2.7\text{ V to }5.25\text{ V}$, $f_S = 1\text{ MSPS}$ and $f_{SCLK} = 34\text{ MHz}$ for the AD7264, $f_S = 500\text{ kSPS}$ and $f_{SCLK} = 20\text{ MHz}$ for the AD7264-5, $V_{REF} = 2.5\text{ V internal/external}$; $T_A = -40^\circ\text{C to }+105^\circ\text{C}$, unless otherwise noted.

Table 1.

| Parameter | Min | Typ | Max | Unit | Test Conditions/Comments |
|---|--------------------------|---|--------------------------|------------------------------|--|
| DYNAMIC PERFORMANCE¹ | | | | | |
| Signal-to-Noise Ratio (SNR) ² | 76 | 78 | | dB | $f_{IN} = 100\text{ kHz}$ sine wave PGA gain setting = 2 |
| Signal-to-(Noise + Distortion) Ratio (SINAD) ² | 74 | 77 | | dB | |
| Total Harmonic Distortion (THD) ² | | -85 | -77 | dB | |
| Spurious-Free Dynamic Range (SFDR) | | -97 | | dB | |
| Common-Mode Rejection Ratio (CMRR) | | -76 | | dB | For PGA gain setting = 2, ripple frequency of 50 Hz/60 Hz; see Figure 17 and Figure 18 |
| ADC-to-ADC Isolation ² | | -90 | | dB | |
| Bandwidth ³ | | 1.2 | | MHz | At -3 dB; PGA gain setting = 128 |
| | | 1.7 | | MHz | At -3 dB; PGA gain setting = 2 |
| DC ACCURACY | | | | | |
| Resolution | | | 14 | Bits | |
| Integral Nonlinearity ² | | ± 1.5 | ± 3 | LSB | |
| Differential Nonlinearity ² | | ± 0.5 | ± 0.99 | LSB | Guaranteed no missed codes to 14 bits |
| Positive Full-Scale Error ² | | ± 0.122 | ± 0.305 | % FSR | Precalibration |
| | | ± 0.018 | | % FSR | Postcalibration |
| Positive Full-Scale Error Match ² | | ± 0.061 | | % FSR | |
| Zero Code Error ² | | ± 0.092 | ± 0.244 | % FSR | Precalibration |
| | | ± 0.012 | | % FSR | Postcalibration |
| Zero Code Error Match ² | | ± 0.061 | | % FSR | |
| Negative Full-Scale Error ² | | ± 0.122 | ± 0.305 | % FSR | Precalibration |
| | | ± 0.018 | | % FSR | Postcalibration |
| Negative Full-Scale Error Match ² | | ± 0.061 | | % FSR | |
| Zero Code Error Drift | | 2.5 | | $\mu\text{V}/^\circ\text{C}$ | |
| ANALOG INPUT | | | | | |
| Input Voltage Range, V_{IN+} and V_{IN-} | | $V_{CM} \pm \frac{V_{REF}}{2 \times \text{Gain}}$ | | V | $V_{CM} = AV_{CC}/2$; PGA gain setting ≥ 2 |
| Common-Mode Voltage Range, V_{CM} | $V_{CM} - 100\text{ mV}$ | | $V_{CM} + 100\text{ mV}$ | V | $V_{CM} = 2\text{ V}$; PGA gain setting = 1; see Figure 19 ⁴ |
| | $V_{CM} - 0.4$ | | $V_{CM} + 0.2$ | V | $V_{CM} = AV_{CC}/2$; PGA gain setting = 2 |
| | $V_{CM} - 0.4$ | | $V_{CM} + 0.4$ | V | $V_{CM} = AV_{CC}/2$; $3 \leq \text{PGA gain setting} \leq 32$ |
| | $V_{CM} - 0.6$ | | $V_{CM} + 0.8$ | V | $V_{CM} = AV_{CC}/2$; PGA gain setting ≥ 48 |
| DC Leakage Current | | ± 0.001 | ± 1 | μA | |
| Input Capacitance ³ | | 5 | | pF | |
| Input Impedance ³ | | 1 | | G Ω | |
| REFERENCE INPUT/OUTPUT | | | | | |
| Reference Output Voltage ⁵ | 2.495 | 2.5 | 2.505 | V | $2.5\text{ V} \pm 5\text{ mV}$ max at 25°C |
| Reference Input Voltage | | 2.5 | | V | |
| DC Leakage Current | | ± 0.3 | ± 1 | μA | External reference applied to Pin V_{REFA} /Pin V_{REFB} |
| Input Capacitance ³ | | 20 | | pF | |
| V_{REFA} , V_{REFB} Output Impedance ³ | | 4 | | Ω | |
| Reference Temperature Coefficient | | 20 | | ppm/ $^\circ\text{C}$ | |
| V_{REF} Noise ³ | | 20 | | $\mu\text{V rms}$ | |

| Parameter | Min | Typ | Max | Unit | Test Conditions/Comments | |
|--|------------------------|-----------------|----------------------|------------------------------|--|-----------------------------------|
| LOGIC INPUTS | | | | | | |
| Input High Voltage, V_{INH} | $0.7 \times V_{DRIVE}$ | | | V | $V_{IN} = 0\text{ V or }V_{DRIVE}$ | |
| Input Low Voltage, V_{INL} | | | 0.8 | V | | |
| Input Current, I_{IN} | | | ± 1 | μA | | |
| Input Capacitance, C_{IN}^3 | | 4 | | pF | | |
| LOGIC OUTPUTS | | | | | | |
| Output High Voltage, V_{OH} | $V_{DRIVE} - 0.2$ | | | V | | |
| Output Low Voltage, V_{OL} | | | 0.4 | V | | |
| Floating State Leakage Current | | | ± 1 | μA | | |
| Floating State Output Capacitance ³ | | 5 | | pF | | |
| Output Coding | | Twos complement | | | | |
| CONVERSION RATE | | | | | | |
| Conversion Time | | | $19 \times t_{SCLK}$ | ns | AD7264 AD7264-5 | |
| Track-and-Hold Acquisition Time ² | 400 | | | ns | | |
| Throughput Rate | | | 1 500 | MSPS kSPS | | |
| COMPARATORS | | | | | | |
| Input Offset | | | | | | |
| Comparator A and Comparator B | | ± 2 | ± 4 | mV | $T_A = 25^\circ\text{C to }105^\circ\text{C only}$ | |
| Comparator C and Comparator D | | ± 2 | ± 4 | mV | | |
| Offset Voltage Drift | | 0.5 | | $\mu\text{V}/^\circ\text{C}$ | All comparators | |
| Input Common-Mode Range ³ | | 0 to 4 | | V | $C_A_C_B V_{CC} = 5\text{ V}$ | |
| | | 0 to 1.7 | | V | $C_A_C_B V_{CC} = 2.7\text{ V}$ | |
| Input Capacitance ³ | | 4 | | pF | 25 pF load, $C_{OUTX} = 0\text{ V}$, $V_{CM} = AV_{CC}/2$, $V_{OVERDRIVE} = 200\text{ mV differential}$ | |
| Input Impedance ³ | | 1 | | G Ω | | |
| I_{DD} Normal Mode (Static) ⁶ | | | | | | |
| Comparator A and Comparator B | | 3 | | μA | | $C_A_C_B V_{CC} = 3.3\text{ V}$ |
| Comparator C and Comparator D | | 6 | 8.5 | μA | | $C_A_C_B V_{CC} = 5.25\text{ V}$ |
| Comparator A and Comparator B | | 60 | | μA | | $C_C_C_D V_{CC} = 3.3\text{ V}$ |
| Comparator C and Comparator D | | 120 | 170 | μA | | $C_C_C_D V_{CC} = 5.25\text{ V}$ |
| Propagation Delay Time ² | | | | | | |
| High to Low, t_{PHL} | | | | | | |
| Comparator A and Comparator B | | 1.4 | 3.5 | μs | | $C_A_C_B V_{CC} = 2.7\text{ V}$ |
| Comparator C and Comparator D | | 0.95 | | μs | $C_A_C_B V_{CC} = 5\text{ V}$ | |
| Comparator A and Comparator B | | 0.20 | 0.32 | μs | $C_C_C_D V_{CC} = 2.7\text{ V}$ | |
| Comparator C and Comparator D | | 0.13 | | μs | $C_C_C_D V_{CC} = 5\text{ V}$ | |
| Low to High, t_{PLH} | | | | | | |
| Comparator A and Comparator B | | 2 | 4 | μs | $C_A_C_B V_{CC} = 2.7\text{ V}$ | |
| Comparator C and Comparator D | | 0.93 | | μs | $C_A_C_B V_{CC} = 5\text{ V}$ | |
| Comparator A and Comparator B | | 0.18 | 0.28 | μs | $C_C_C_D V_{CC} = 2.7\text{ V}$ | |
| Comparator C and Comparator D | | 0.12 | | μs | $C_C_C_D V_{CC} = 5\text{ V}$ | |
| Delay Matching | | | | | | |
| Comparator A and Comparator B | | ± 250 | | ns | $V_{CM} = AV_{CC}/2$, $V_{OVERDRIVE} = 200\text{ mV differential}$ | |
| Comparator C and Comparator D | | ± 10 | | ns | | |

| Parameter | Min | Typ | Max | Unit | Test Conditions/Comments |
|---|------|-------|------|------|---|
| POWER REQUIREMENTS | | | | | Digital inputs = 0 V or V _{DRIVE} |
| V _{CC} | 4.75 | | 5.25 | V | |
| C _A _C _B V _{CC} , C _C _C _D V _{CC} | 2.7 | | 5.25 | V | |
| V _{DRIVE} | 2.7 | | 5.25 | V | |
| I _{DD} | | | | | |
| ADC Normal Mode (Static) | | 20 | 31.5 | mA | V _{CC} = 5.25 V |
| ADC Normal Mode (Dynamic) | | 23 | 33.3 | mA | f _S = 1 MSPS, V _{CC} = 5.25 V |
| Shutdown Mode | | 0.5 | 1 | μA | V _{CC} = 5.25 V, ADCs and comparators powered down |
| Power Dissipation | | | | | |
| ADC Normal Mode (Static) | | 105 | 165 | mW | |
| ADC Normal Mode (Dynamic) | | 120 | 175 | mW | |
| Shutdown Mode | | 2.625 | 5.25 | μW | |

¹ These specifications were determined without the use of the gain calibration feature.

² See the Terminology section.

³ Samples are tested during initial release to ensure compliance; they are not subject to production testing.

⁴ For PGA gain = 1, to utilize the full analog input range ($V_{CM} \pm V_{REF}/2$) of the AD7264, the V_{CM} voltage should be dropped to lie within a range from 1.95 V to 2.05 V.

⁵ Refers to Pin V_{REFA} or Pin V_{REFB}.

⁶ This specification includes the I_{DD} for both comparators. The I_{DD} per comparator is the specified value divided by 2.

TIMING SPECIFICATIONS

$V_{CC} = 4.75\text{ V to }5.25\text{ V}$, $C_{A_CB}V_{CC} = C_{C_CD}V_{CC} = 2.7\text{ V to }5.25\text{ V}$, $V_{REF} = 2.5\text{ V}$ internal/external; $T_A = T_{MIN}$ to T_{MAX} , unless otherwise noted.¹

Table 2.

| Parameter | Limit at T_{MIN} , T_{MAX} | | Unit | Description |
|----------------|---|---|-------------------|--|
| | $2.7\text{ V} \leq V_{DRIVE} \leq 3.6\text{ V}$ | $4.75\text{ V} \leq V_{DRIVE} \leq 5.25\text{ V}$ | | |
| f_{SCLK} | 200 | 200 | kHz min | |
| | 34 | 34 ² | MHz max | AD7264 |
| | 20 | 20 | MHz max | AD7264-5 |
| $t_{CONVERT}$ | $19 \times t_{SCLK}$ | $19 \times t_{SCLK}$ | ns max | $t_{SCLK} = 1/f_{SCLK}$ |
| | 560 | 560 | ns max | AD7264 |
| | 950 | 950 | ns max | AD7264-5 |
| t_{QUIET} | 13 | 13 | ns min | Minimum time between end of serial read/bus relinquish and next falling edge of \overline{CS} |
| t_2 | 10 | 10 | ns min | \overline{CS} to SCLK setup time |
| t_3^3 | 15 | 15 | ns max | Delay from 19 th SCLK falling edge until D_{OUTA} and D_{OUTB} are three-state disabled |
| t_4 | 29 | 23 | ns max | Data access time after SCLK falling edge |
| t_5 | 15 | 13 | ns min | SCLK to data valid hold time |
| t_6 | $0.4 \times t_{SCLK}$ | $0.4 \times t_{SCLK}$ | ns min | SCLK high pulse width |
| t_7 | $0.4 \times t_{SCLK}$ | $0.4 \times t_{SCLK}$ | ns min | SCLK low pulse width |
| t_8 | 13 | 13 | ns min | \overline{CS} rising edge to falling edge pulse width |
| t_9 | 13 | 13 | ns max | \overline{CS} rising edge to D_{OUTA} , D_{OUTB} high impedance/bus relinquish |
| t_{10} | 5 | 5 | ns min | SCLK falling edge to D_{OUTA} , D_{OUTB} high impedance |
| | 35 | 35 | ns max | SCLK falling edge to D_{OUTA} , D_{OUTB} high impedance |
| t_{11} | 2 | 2 | μs min | Minimum CAL pin high time |
| t_{12} | 2 | 2 | μs min | Minimum time between the CAL pin high and the \overline{CS} falling edge |
| t_{13} | 3 | 3 | ns min | D_{IN} setup time prior to SCLK falling edge |
| t_{14} | 3 | 3 | ns min | D_{IN} hold time after SCLK falling edge |
| $t_{POWER-UP}$ | 240 | 240 | μs max | Internal reference, with a 1 μF decoupling capacitor |
| | 15 | 15 | μs max | With an external reference, 10 μs typical |

¹ Sample tested during initial release to ensure compliance. All input signals are specified with $t_R = t_F = 5\text{ ns}$ (10% to 90% of V_{DD}) and timed from a voltage level of 1.6 V. All timing specifications given are with a 25 pF load capacitance. With a load capacitance greater than this value, a digital buffer or latch must be used. See the Terminology section.

² The AD7264 is functional with a 40 MHz SCLK at 25°C, but specified performance is not guaranteed with SCLK frequencies greater than 34 MHz.

³ The time required for the output to cross 0.4 V or 2.4 V.

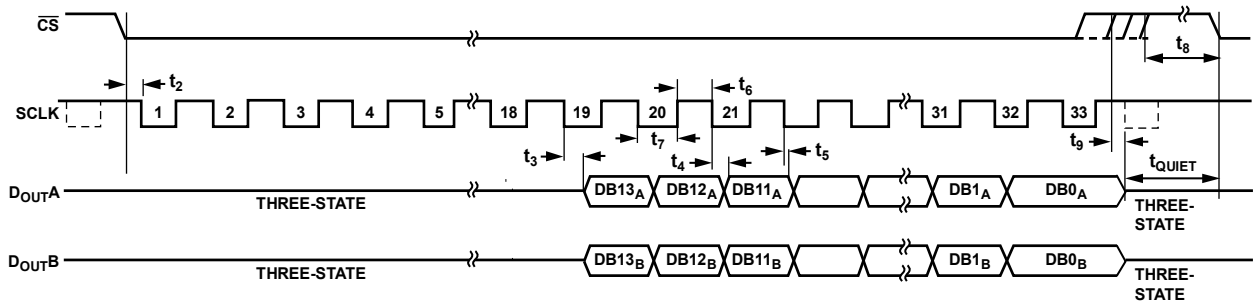


Figure 2. Serial Interface Timing Diagram

06732-012

ABSOLUTE MAXIMUM RATINGS

Table 3.

| Parameter | Rating |
|--|---|
| V _{DRIVE} to DGND | −0.3 V to AV _{CC} |
| V _{DRIVE} to AGND | −0.3 V to AV _{CC} |
| AV _{CC} to AGND, DGND | −0.3 V to +7 V |
| CA _− CBV _{CC} to CA _− CB _− GND | −0.3 V to +7 V |
| CC _− CDV _{CC} to CC _− CD _− GND | −0.3 V to +7 V |
| AGND to DGND | −0.3 V to +0.3 V |
| CA _− CB _− GND, CC _− CD _− GND to DGND | −0.3 V to +0.3 V |
| Analog Input Voltage to AGND | −0.3 V to AV _{CC} + 0.3 V |
| Digital Input Voltage to DGND | −0.3 V to V _{DRIVE} + 0.3 V |
| Digital Output Voltage to GND | −0.3 V to V _{DRIVE} + 0.3 V |
| V _{REFA} , V _{REFB} Input to AGND | −0.3 V to AV _{CC} + 0.3 V |
| CO _{UT} A, CO _{UT} B, CO _{UT} C, CO _{UT} D to GND | −0.3 V to V _{DRIVE} + 0.3 V |
| CA _± , CB _± , CC _± , CD _± to CA _− CB _− GND, CC _− CD _− GND | −0.3 V to CA _− CBV _{CC} /CC _− CDV _{CC} + 0.3 V |
| Operating Temperature Range | −40°C to +105°C |
| Storage Temperature Range | −65°C to +150°C |
| Junction Temperature | 150°C |
| LQFP Package | |
| θ _{JA} Thermal Impedance | 55°C/W |
| θ _{JC} Thermal Impedance | 16°C/W |
| LFCSP Package | |
| θ _{JA} Thermal Impedance | 30°C/W |
| θ _{JC} Thermal Impedance | 3°C/W |
| Pb-Free Temperature, Soldering | |
| Reflow | 255°C |
| ESD | 2 kV |

Stresses at or above those listed under Absolute Maximum Ratings may cause permanent damage to the product. This is a stress rating only; functional operation of the product at these or any other conditions above those indicated in the operational section of this specification is not implied. Operation beyond the maximum operating conditions for extended periods may affect product reliability.

ESD CAUTION



ESD (electrostatic discharge) sensitive device. Charged devices and circuit boards can discharge without detection. Although this product features patented or proprietary protection circuitry, damage may occur on devices subjected to high energy ESD. Therefore, proper ESD precautions should be taken to avoid performance degradation or loss of functionality.

PIN CONFIGURATIONS AND FUNCTION DESCRIPTIONS

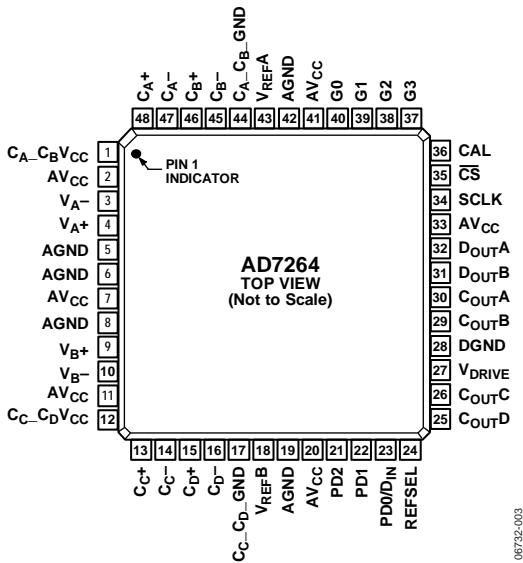
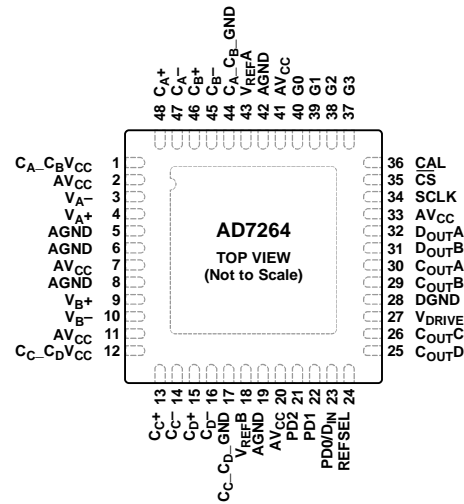


Figure 3. 48-Lead LQFP Pin Configuration



NOTES
 1. THE EXPOSED METAL PADDLE ON THE BOTTOM OF THE LFCSP PACKAGE MUST BE SOLDERED TO PCB GROUND FOR PROPER HEAT DISSIPATION AND ALSO FOR NOISE AND MECHANICAL STRENGTH BENEFITS.

06732-004

Table 4. Pin Function Descriptions

| Pin No. | Mnemonic | Description |
|----------------------|--|---|
| 2, 7, 11, 20, 33, 41 | AV _{CC} | Analog Supply Voltage, 4.75 V to 5.25 V. This is the supply voltage for the analog circuitry on the AD7264. All AV _{CC} pins can be tied together. This supply should be decoupled to AGND with a 100 nF ceramic capacitor per supply and a 10 μF tantalum capacitor. |
| 1 | C _A _C _B V _{CC} | Comparator Supply Voltage, 2.7 V to 5.25 V. This is the supply voltage for Comparator A and Comparator B. This supply should be decoupled to C _A _C _B _GND. AV _{CC} , C _C _C _D V _{CC} , and C _A _C _B V _{CC} can be tied together. |
| 12 | C _C _C _D V _{CC} | Comparator Supply Voltage, 2.7 V to 5.25 V. This is the supply voltage for Comparator C and Comparator D. This supply should be decoupled to C _C _C _D _GND. AV _{CC} , C _C _C _D V _{CC} , and C _A _C _B V _{CC} can be tied together. |
| 4, 3 | V _{A+} , V _{A-} | Analog Inputs of ADC A. True differential input pair. |
| 9, 10 | V _{B+} , V _{B-} | Analog Inputs of ADC B. True differential input pair. |
| 43, 18 | V _{REFA} , V _{REFB} | Reference Input/Output. Decoupling capacitors are connected to these pins to decouple the internal reference buffer for each respective ADC. Typically, 1 μF capacitors are required to decouple the reference. Provided the output is buffered, the on-chip reference can be taken from these pins and applied externally to the rest of a system. |
| 34 | SCLK | Serial Clock. Logic input. A serial clock input provides the SCLK for accessing the data from the AD7264. This clock is also used as the clock source for the conversion process. A minimum of 33 clocks are required to perform the conversion and access the 14-bit result. |
| 35 | \overline{CS} | Chip Select. Active low logic input. This input initiates conversions on the AD7264. |
| 36 | CAL | Logic Input. Initiates an internal offset calibration. |
| 21 | PD2 | Logic Input. Places the AD7264 in the selected shutdown mode in conjunction with the PD1 and PD0 pins. See Table 7. |
| 22 | PD1 | Logic Input. Places the AD7264 in the selected shutdown mode in conjunction with the PD2 and PD0 pins. See Table 7. |
| 23 | PD0/D _{IN} | Logic Input/Data Input. Places the AD7264 in the selected shutdown mode in conjunction with the PD2 and PD1 pins. See Table 7. If all gain selection pins, G0 to G3, are tied low, this pin acts as the data input pin and all programming is via the control register (see Table 8). Data to be written to the AD7264 control register is provided on this input and is clocked into the register on the falling edge of SCLK. |

| Pin No. | Mnemonic | Description |
|-----------------|--|--|
| 48, 47, 46, 45 | C _{A+} , C _{A-} , C _{B+} , C _{B-} | Comparator Inputs. These pins are the inverting and noninverting analog inputs for Comparator A and Comparator B. These two comparators have very low power consumption. |
| 13, 14, 15, 16 | C _{C+} , C _{C-} , C _{D+} , C _{D-} | Comparator Inputs. These pins are the inverting and noninverting analog inputs for Comparator C and Comparator D. These two comparators offer very fast propagation delays. |
| 5, 6, 8, 19, 42 | AGND | Analog Ground. Ground reference point for all analog circuitry on the AD7264. All analog input signals and any external reference signal should be referred to this AGND voltage. All AGND pins should be connected to the AGND plane of a system. The AGND, DGND, C _A _C _B _GND, and C _C _C _D _GND voltages should ideally be at the same potential and must not be more than 0.3 V apart, even on a transient basis. C _A _C _B _GND and C _C _C _D _GND can be tied to AGND. |
| 28 | DGND | Digital Ground. Ground reference point for all digital circuitry on the AD7264. The DGND pin should be connected to the DGND plane of a system. The DGND and AGND voltages should ideally be at the same potential and must not be more than 0.3 V apart, even on a transient basis. |
| 30, 29, 26, 25 | C _{OUTA} , C _{OUTB} , C _{OUTC} , C _{OUTD} | Comparator Outputs. These pins provide a CMOS (push-pull) output from each respective comparator. These are digital output pins with logic levels determined by the V _{DRIVE} supply. |
| 32, 31 | D _{OUTA} , D _{OUTB} | Serial Data Outputs. The data output from the AD7264 is supplied to each pin as a serial data stream in twos complement format. The bits are clocked out on the falling edge of the SCLK input. A total of 33 SCLK cycles are required to perform the conversion and access the 14-bit data. During the conversion process, the data output pins are in three-state and, when the conversion is completed, the 19 th SCLK edge clocks out the MSB. The data appears simultaneously on both pins from the simultaneous conversions of both ADCs. The data is provided MSB first. If \overline{CS} is held low for a further 14 SCLK cycles on either D _{OUTA} or D _{OUTB} following the initial 33 SCLK cycles, the data from the other ADC follows on the D _{OUT} pin. This allows data from a simultaneous conversion on both ADCs to be gathered in serial format on either D _{OUTA} or D _{OUTB} using only one serial port. |
| 40, 39, 38, 37 | G0, G1, G2, G3 | Logic Inputs. These pins are used to program the gain setting of the front-end amplifiers. If all four pins are tied low, the PD0/D _{IN} pin acts as a data input pin, D _{IN} , and all programming is made via the control register. See Table 6. |
| 27 | V _{DRIVE} | Logic Power Supply Input, 2.7 V to 5.25 V. The voltage supplied at this pin determines at what voltage the interface operates, including the comparator outputs. This pin should be decoupled to DGND. |
| 44, 17 | C _A _C _B _GND, C _C _C _D _GND | Comparator Ground. Ground reference point for all comparator circuitry on the AD7264. Both the C _A _C _B _GND and C _C _C _D _GND pins should connect to the GND plane of a system and can be tied to AGND. The DGND, AGND, C _A _C _B _GND, and C _C _C _D _GND voltages should ideally be at the same potential and must not be more than 0.3 V apart, even on a transient basis. |
| 24 | REFSEL | Internal/External Reference Selection. Logic input. If this pin is tied to a logic high voltage, the on-chip 2.5 V reference is used as the reference source for both ADC A and ADC B. If the REFSEL pin is tied to GND, an external reference can be supplied to the AD7264 through the V _{REFA} and/or V _{REFB} pins. |

TYPICAL PERFORMANCE CHARACTERISTICS

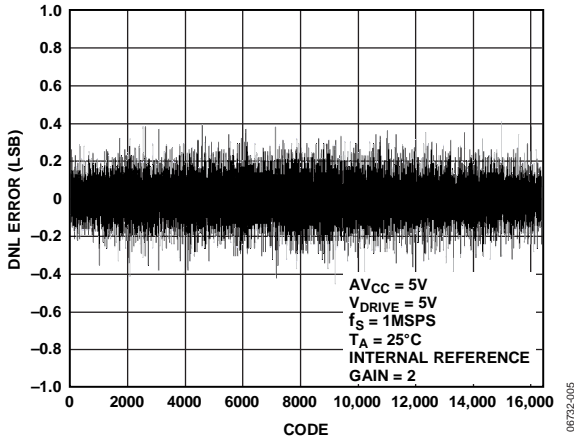


Figure 5. Typical DNL at Gain of 2

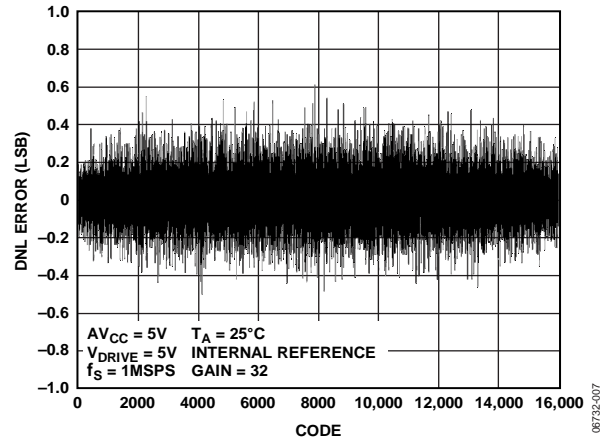


Figure 8. Typical DNL at Gain of 32

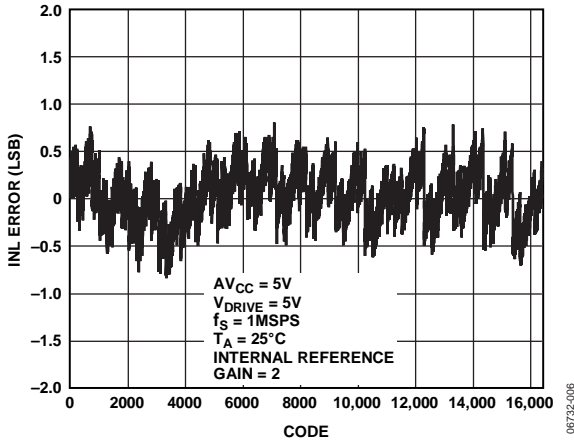


Figure 6. Typical INL at Gain of 2

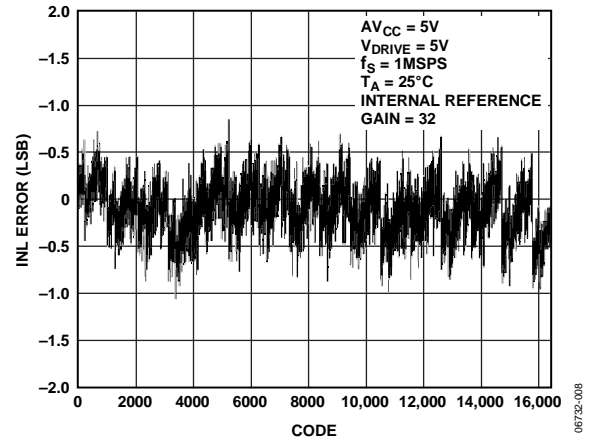


Figure 9. Typical INL at Gain of 32

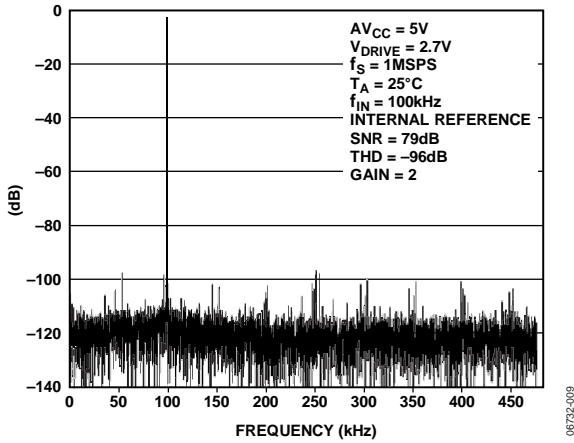


Figure 7. Typical FFT at Gain of 2

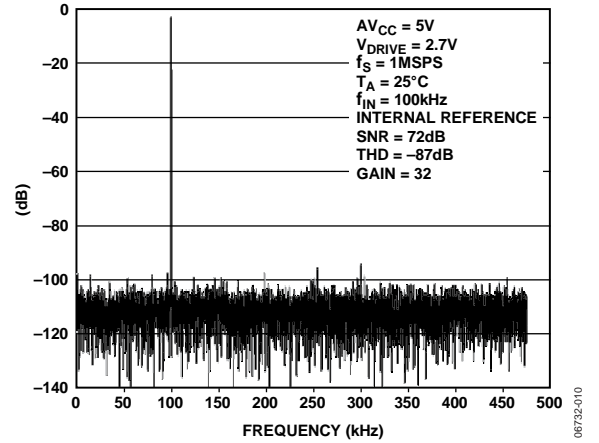


Figure 10. Typical FFT at Gain of 32

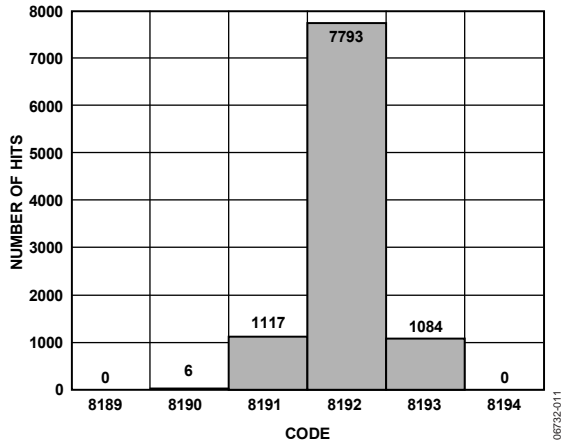


Figure 11. Histogram of Codes for 10k Samples at Gain of 2

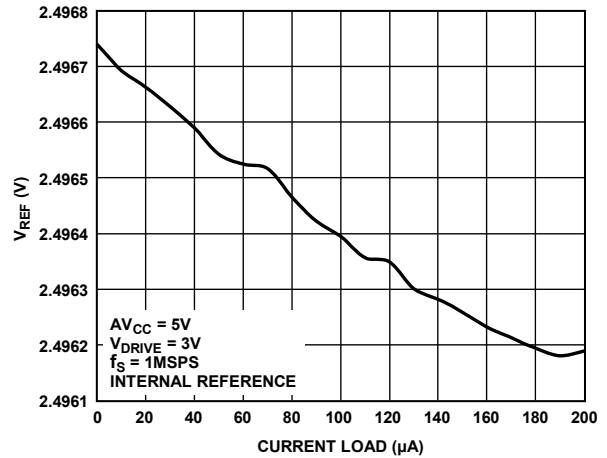


Figure 14. V_{REF} vs. Reference Output Current Drive

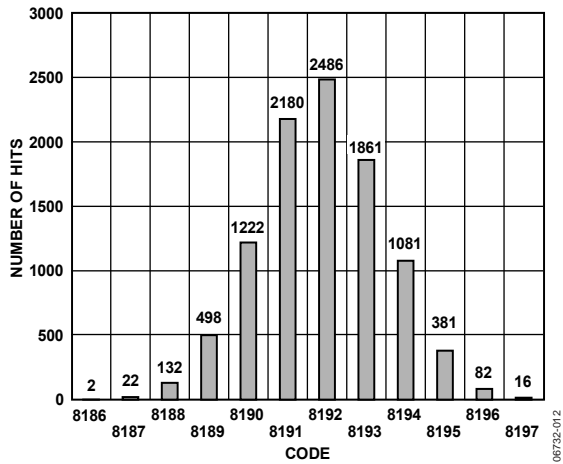


Figure 12. Histogram of Codes for 10k Samples at Gain of 32

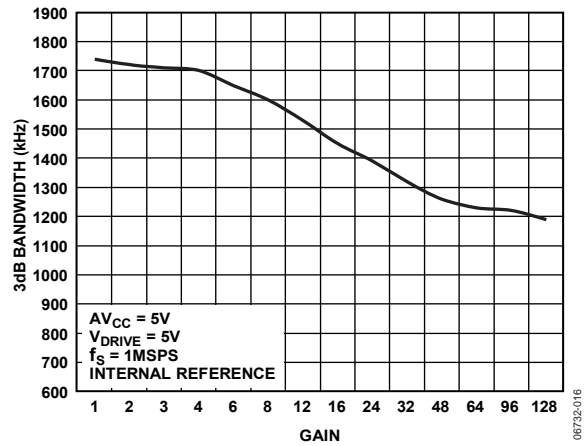


Figure 15. 3 dB Bandwidth vs. Gain

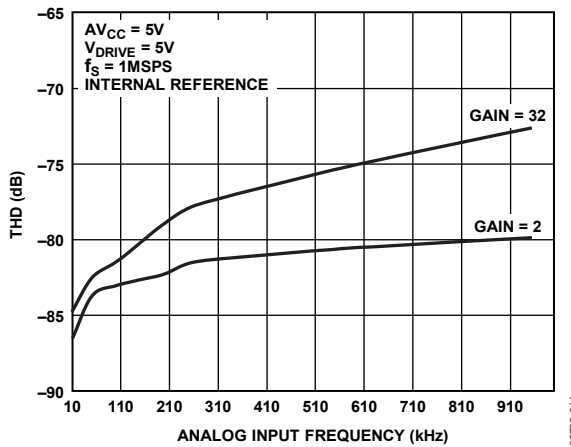


Figure 13. THD vs. Analog Input Frequency up to 1 MHz at Gain of 2 and 32

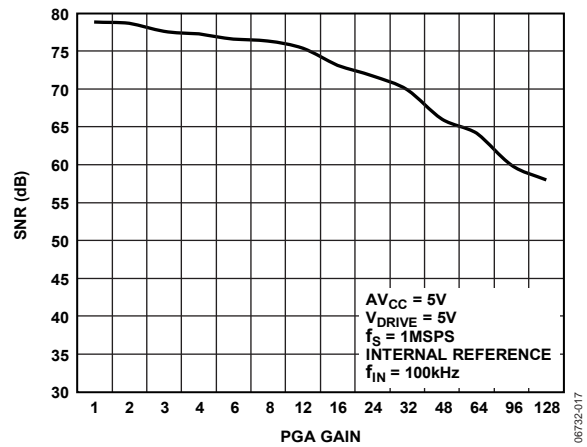


Figure 16. SNR vs. PGA Gain for an Analog Input Tone of 100 kHz

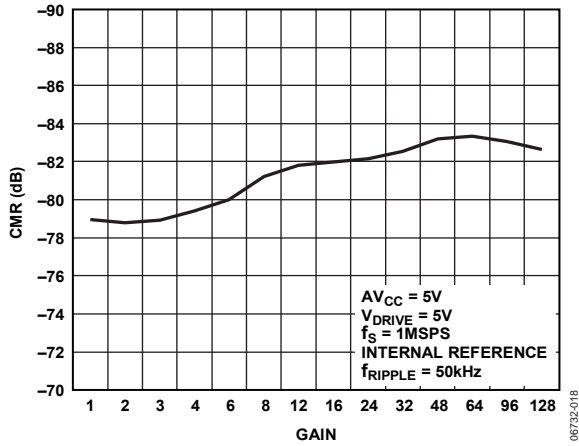


Figure 17. Common-Mode Rejection vs. Gain

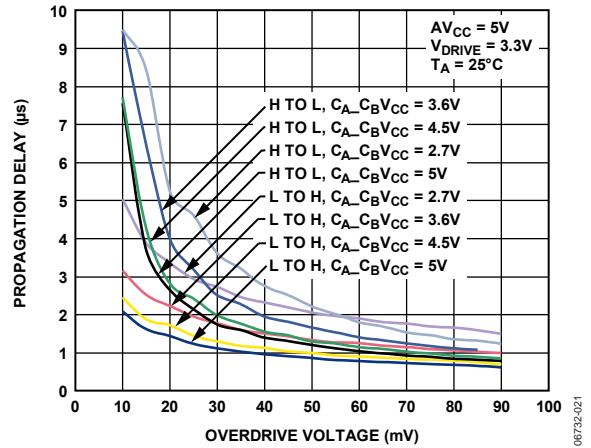


Figure 20. Propagation Delay for Comparator A and Comparator B vs. Overdrive Voltage for Various Supply Voltages

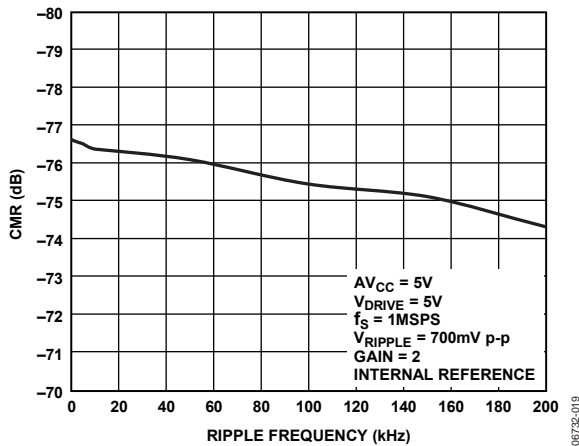


Figure 18. Common-Mode Rejection vs. Common-Mode Ripple Frequency

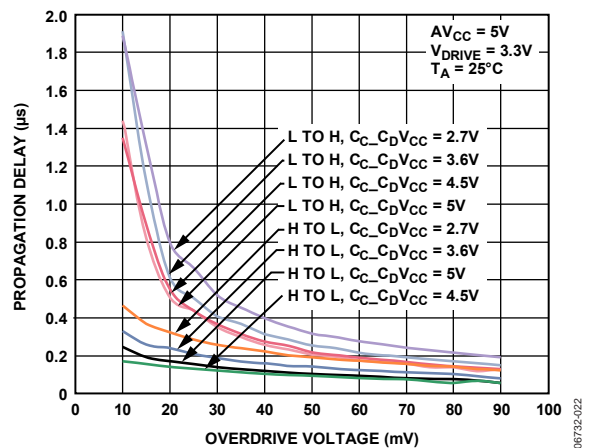


Figure 21. Propagation Delay for Comparator C and Comparator D vs. Overdrive Voltage for Various Supply Voltages

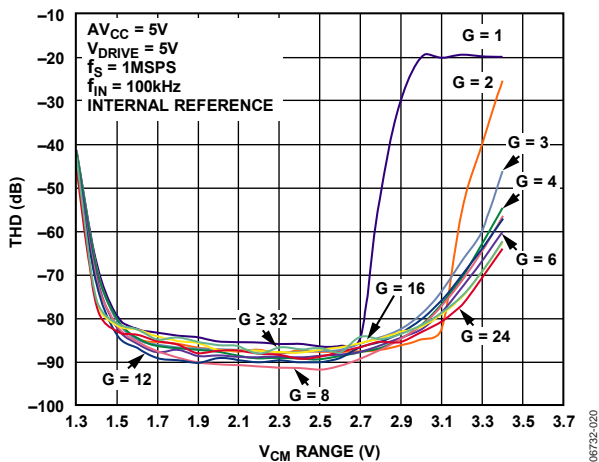


Figure 19. THD vs. Common-Mode Voltage Range for Various PGA Gain Settings

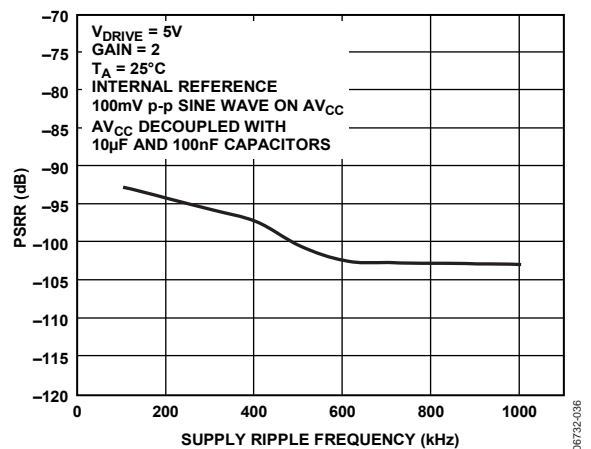


Figure 22. Power Supply Rejection Ratio

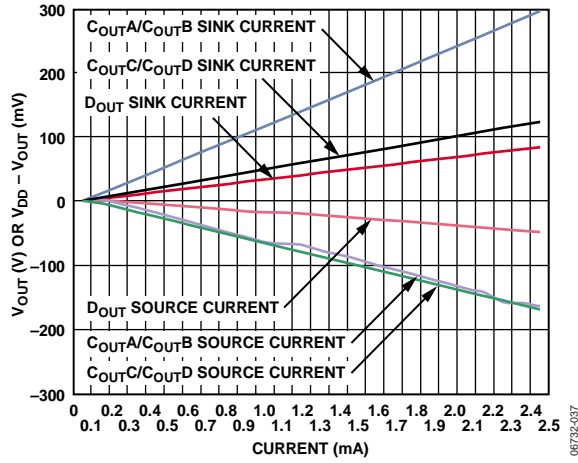


Figure 23. D_{OUT} and C_{OUT} Source and Sink Current

TERMINOLOGY

Differential Nonlinearity (DNL)

Differential nonlinearity is the difference between the measured and the ideal 1 LSB change between any two adjacent codes in the ADC.

Integral Nonlinearity (INL)

Integral nonlinearity is the maximum deviation from a straight line passing through the endpoints of the ADC transfer function. The endpoints of the transfer function are zero scale, a single (1) LSB point below the first code transition, and full scale, a point 1 LSB above the last code transition.

Zero Code Error

This is the deviation of the midscale transition (all 1s to all 0s) from the ideal V_{IN} voltage, that is, $V_{CM} - \frac{1}{2}$ LSB.

Positive Full-Scale Error

This is the deviation of the last code transition (011 ... 110 to 011 ... 111) from the ideal, that is,

$$V_{CM} + \left(\frac{V_{REF}}{2 \times Gain} \right) - 1 \text{ LSB}$$

after the zero code error has been adjusted out.

Negative Full-Scale Error

This is the deviation of the first code transition (10 ... 000 to 10 ... 001) from the ideal, that is,

$$V_{CM} - \left(\frac{V_{REF}}{2 \times Gain} \right) + 1 \text{ LSB}$$

after the zero code error has been adjusted out.

Zero Code Error Match

This is the difference in zero code error across both ADCs.

Positive Full-Scale Error Match

This is the difference in positive full-scale error across both ADCs.

Negative Full-Scale Error Match

This is the difference in negative full-scale error across both ADCs.

Track-and-Hold Acquisition Time

The track-and-hold amplifier returns to track mode at the end of conversion. Track-and-hold acquisition time is the time required for the output of the track-and-hold amplifier to reach its final value, within $\pm 1/2$ LSB, after the end of conversion.

Signal-to-(Noise + Distortion) Ratio

This ratio is the measured ratio of signal-to-(noise + distortion) at the output of the analog-to-digital converter. The signal is the rms amplitude of the fundamental. Noise is the sum of all non-fundamental signals up to half the sampling frequency ($f_s/2$), excluding dc. The ratio is dependent on the number of quantization levels in the digitization process; the more levels, the smaller the quantization noise.

The theoretical signal-to-(noise + distortion) ratio for an ideal N-bit converter with a sine wave input is given by

$$\text{Signal-to-(Noise + Distortion)} = (6.02N + 1.76) \text{ dB}$$

Thus, for a 14-bit converter, this is 86 dB.

Total Harmonic Distortion (THD)

Total harmonic distortion is the ratio of the rms sum of harmonics to the fundamental. For the AD7264, it is defined as

$$\text{THD(dB)} = 20 \log \frac{\sqrt{V_2^2 + V_3^2 + V_4^2 + V_5^2 + V_6^2}}{V_1}$$

where V_1 is the rms amplitude of the fundamental and V_2 , V_3 , V_4 , V_5 , and V_6 are the rms amplitudes of the second through the sixth harmonics.

Peak Harmonic or Spurious Noise

Peak harmonic, or spurious noise, is defined as the ratio of the rms value of the next largest component in the ADC output spectrum (up to $f_s/2$, excluding dc) to the rms value of the fundamental. Normally, the value of this specification is determined by the largest harmonic in the spectrum, but for ADCs where the harmonics are buried in the noise floor, it is a noise peak.

ADC-to-ADC Isolation

ADC-to-ADC isolation is a measure of the level of crosstalk between ADC A and ADC B. It is measured by applying a full-scale, 100 kHz sine wave signal to all unselected input channels and determining how much that signal is attenuated in the selected channel with a 40 kHz signal. The figure given is the worst-case.

Power Supply Rejection Ratio (PSRR)

Variations in power supply affect the full-scale transition but not the linearity of the converter. PSRR is the maximum change in the full-scale transition point due to a change in power supply voltage from the nominal value (see Figure 22).

Propagation Delay Time, Low to High (t_{PLH})

Propagation delay time from low to high is defined as the time taken from the 50% point on a low to high input signal until the digital output signal reaches 50% of its final low value.

Propagation Delay Time, High to Low (t_{PHL})

Propagation delay time from high to low is defined as the time taken from the 50% point on a high to low input signal until the digital output signal reaches 50% of its final high value.

Comparator Offset

Comparator offset is the measure of the density of digital 1s and 0s in the comparator output when the negative analog terminal of the comparator input is held at a static potential, and the analog input to the positive terminal of the comparators is varied proportionally about the static negative terminal voltage.

THEORY OF OPERATION

CIRCUIT INFORMATION

The AD7264 is a fast, dual, simultaneous sampling, differential, 14-bit, serial ADCs. The AD7264 contains two on-chip differential programmable gain amplifiers, two track-and-hold amplifiers, and two successive approximation analog-to-digital converters with a serial interface with two separate data output pins. The AD7264 also includes four on-chip comparators. The device is housed in a 48-lead LFCSP or 48-lead LQFP package, offering the user considerable space-saving advantages over alternative solutions. The AD7264 requires a low voltage $5\text{ V} \pm 5\%$ V_{CC} to power the ADC core and supply the digital power, a 2.7 V to 5.25 V $C_{A_CB}V_{CC}$, $C_{C_CD}V_{CC}$ supply for the comparators, and a 2.7 V to 5.25 V V_{DRIVE} supply for interface power.

The on-board PGA allows the user to select from 14 programmable gain stages: $\times 1$, $\times 2$, $\times 3$, $\times 4$, $\times 6$, $\times 8$, $\times 12$, $\times 16$, $\times 24$, $\times 32$, $\times 48$, $\times 64$, $\times 96$, and $\times 128$. The PGA accepts fully differential analog signals. The gain can be selected either by setting the logic state of the G0 to G3 pins or by programming the control register.

The serial clock input accesses data from the device while also providing the clock source for each successive approximation ADC. The AD7264 has an on-chip 2.5 V reference that can be disabled when an external reference is preferred. If the internal reference is used elsewhere in a system, the output from V_{REFA} and V_{REFB} must first be buffered. If the internal reference is the preferred option, the user must tie the REFSEL pin to a logic high voltage. Alternatively, if REFSEL is tied to GND, an external reference can be supplied to both ADCs through the V_{REFA} and V_{REFB} pins (see the Reference section).

The AD7264 also features a range of power-down options to allow the user great flexibility with the independent circuit components while allowing for power savings between conversions. The power-down feature is implemented via the control register or the PD0 to PD2 pins, as described in the Control Register section.

COMPARATORS

The AD7264 has four on-chip comparators. Comparator A and Comparator B have ultralow power consumption, with static power consumption typically less than $10\ \mu\text{W}$ with a 3.3 V supply. Comparator C and Comparator D feature very fast propagation delays of 130 ns for a 200 mV differential overdrive. These comparators have push-pull output stages that operate from the V_{DRIVE} supply. This feature allows operation with a minimum amount of power consumption.

Each pair of comparators operates from its own independent supply, $C_{A_CB}V_{CC}$ or $C_{C_CD}V_{CC}$. The comparators are specified for supply voltages from 2.7 V to 5.25 V. If desired, $C_{A_CB}V_{CC}$ and $C_{C_CD}V_{CC}$ can be tied to the V_{CC} supply. The four comparators on the AD7264 are functional with $C_{A_CB}V_{CC}$, $C_{C_CD}V_{CC}$ greater than or equal to 1.8 V. However, no specifications are guaranteed for comparator supplies less than 2.7 V. The wide range of supply voltages ensures that the comparators can be used in a variety of battery backup modes.

The four on-chip comparators on the AD7264 are ideally suited for monitoring signals from pole sensors in motor control systems. The comparators can be used to monitor signals from Hall effect sensors or the inner tracks from an optical encoder. One of the comparators can be used to count the index marker or z marker, which is used on startup to place the motor in a known position.

OPERATION

The AD7264 has two successive approximation ADCs, each based around two capacitive DACs and two programmable gain amplifiers.

The ADC itself comprises control logic, a SAR, and two capacitive DACs. The control logic and the charge redistribution DACs are used to add and subtract fixed amounts of charge from the sampling capacitor amplifiers to bring the comparator back into a balanced condition. When the comparator is rebalanced, the conversion is complete. The control logic generates the ADC output code.

Each ADC is preceded by its own programmable gain stage. The PGA features high analog input impedance, true differential analog inputs that allow the output from any source or sensor to be connected directly to the PGA inputs without any requirement for additional external buffering. The variable gain settings ensure that the device can be used for amplifying signals from a variety of sources. The AD7264 offers the flexibility to choose the most appropriate gain setting to utilize the wide dynamic range of the device.

ANALOG INPUTS

Each ADC in the AD7264 has two high impedance differential analog inputs. Figure 24 shows the equivalent circuit of the analog input structure of the AD7264. It consists of a fully differential input amplifier that buffers the analog input signal and provides the gain selected by using the gain pins.

The two diodes provide ESD protection. Care must be taken to ensure that the analog input signals never exceed the supply rails by more than 300 mV. This causes these diodes to become forward-biased and to start conducting current into the substrate. These diodes can conduct up to 10 mA without causing irreversible damage to the device. The C1 capacitors in Figure 24 are typically 5 pF and can primarily be attributed to pin capacitance.

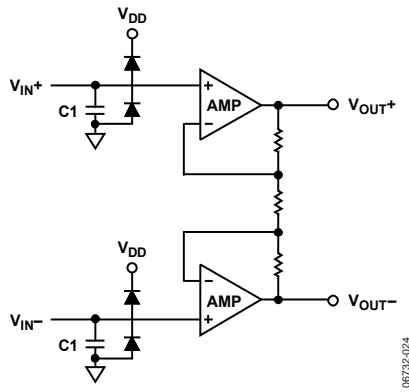


Figure 24. Analog Input Structure

The AD7264 can accept differential analog inputs from

$$V_{CM} - \left(\frac{V_{REF}}{2 \times \text{Gain}} \right) \text{ to } V_{CM} + \left(\frac{V_{REF}}{2 \times \text{Gain}} \right)$$

Table 5 details the analog input range for the AD7264 for the various PGA gain settings. $V_{REF} = 2.5 \text{ V}$ and $V_{CM} = 2.5 \text{ V}$ ($AV_{CC}/2$, with $AV_{CC} = 5 \text{ V}$).

Table 5. Analog Input Range for Various PGA Gain Settings

| PGA Gain Setting | Analog Input Range for V_{IN+} and V_{IN-} |
|------------------|--|
| 1 | 0.75 V to 3.25 V ¹ |
| 2 | 1.875 V to 3.125 V |
| 3 | 2.083 V to 2.916 V |
| 4 | 2.187 V to 2.813 V |
| 6 | 2.292 V to 2.708 V |
| 8 | 2.344 V to 2.656 V |
| 12 | 2.396 V to 2.604 V |
| 16 | 2.422 V to 2.578 V |
| 24 | 2.448 V to 2.552 V |
| 32 | 2.461 V to 2.539 V |
| 48 | 2.474 V to 2.526 V |
| 64 | 2.480 V to 2.520 V |
| 96 | 2.487 V to 2.513 V |
| 128 | 2.490 V to 2.510 V |

¹For $V_{CM} = 2 \text{ V}$. If $V_{CM} = AV_{CC}/2$, the analog input range for V_{IN+} and V_{IN-} is 1.6 V to 3.4 V.

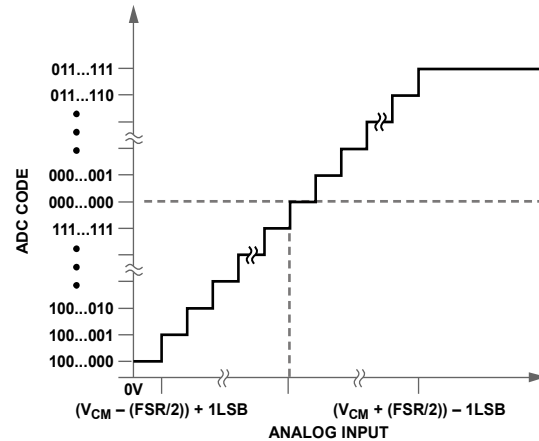
When a full-scale step input is applied to either differential input on the AD7264 while the other analog input is held at a constant voltage, 3 μs of settling time is typically required prior to capturing a stable digital output code.

Transfer Function

The AD7264 output is twos complement; the ideal transfer function is shown in Figure 25. The designed code transitions occur at successive integer LSB values (that is, 1 LSB, 2 LSB, and so on). The LSB size is dependent on the analog input range selected.

The LSB size for the AD7264 is

$$2 \times \left(\frac{\left(V_{CM} + \left(\frac{V_{REF}}{2 \times \text{Gain}} \right) \right) - \left(V_{CM} - \left(\frac{V_{REF}}{2 \times \text{Gain}} \right) \right)}{16,384} \right)$$



NOTES

- FULL-SCALE RANGE (FSR) = $V_{IN+} - V_{IN-}$.

Figure 25. Twos Complement Transfer Function

V_{DRIVE}

The AD7264 has a V_{DRIVE} feature to control the voltage at which the serial interface operates. V_{DRIVE} allows the ADC and the comparators to easily interface to both 3 V and 5 V processors. For example, when the AD7264 is operated with $AV_{CC} = 5 \text{ V}$, the V_{DRIVE} pin can be powered from a 3 V supply, allowing a large analog input range with low voltage digital processors.

REFERENCE

The AD7264 can operate with either the internal 2.5 V on-chip reference or an externally applied reference. The logic state of the REFSEL pin determines whether the internal reference is used. The internal reference is selected for both ADCs when the REFSEL pin is tied to logic high. If the REFSEL pin is tied to AGND, an external reference can be supplied through the V_{REFA} and/or V_{REFB} pins. On power-up, the REFSEL pin must be tied to either a low or high logic state for the device to operate. Suitable reference sources for the AD7264 include the AD780, AD1582, ADR431, REF193, and ADR391.

The internal reference circuitry consists of a 2.5 V band gap reference and a reference buffer. When operating the AD7264 in internal reference mode, the 2.5 V internal reference is available at the V_{REFA} and V_{REFB} pins, which should be decoupled to AGND using a 1 μF capacitor. It is recommended that the internal reference be buffered before applying it elsewhere in the system. The internal reference is capable of sourcing up to 90 μA of current when the converter is static. If internal reference operation is required for the ADC conversion, the REFSEL pin must be tied to logic high on power-up. The reference buffer requires 240 μs

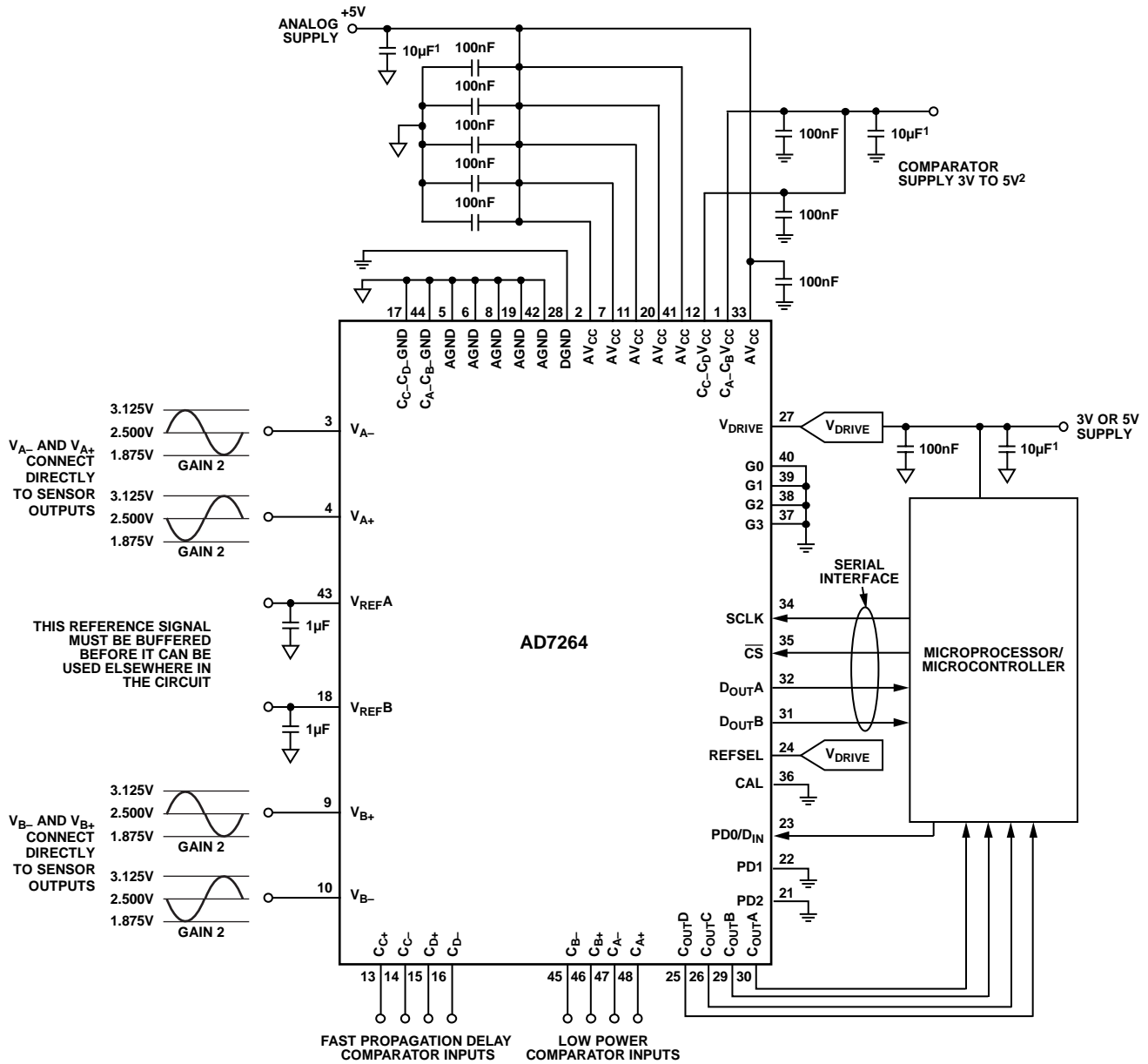
to power up and charge the 1 μF decoupling capacitor during the power-up time.

TYPICAL CONNECTION DIAGRAMS

Figure 26 and Figure 27 are typical connection diagrams for the AD7264. In these configurations, the AGND pin is connected to the analog ground plane of the system, and the DGND pin is connected to the digital ground plane of the system. The analog inputs on the AD7264 are true differential and have an input impedance in excess of 1 $\text{G}\Omega$; thus, no driving op amps are required. The AD7264 can operate with either an internal or an external reference. In Figure 26, the AD7264 is configured to operate in control register mode; thus, G0 to G3, PD1, and PD2 can be connected to ground (low logic state). Figure 27 has the

gain pins configured for a gain of 2 setup; thus, the device is in pin driven mode. Both circuit configurations illustrate the use of the internal 2.5 V reference.

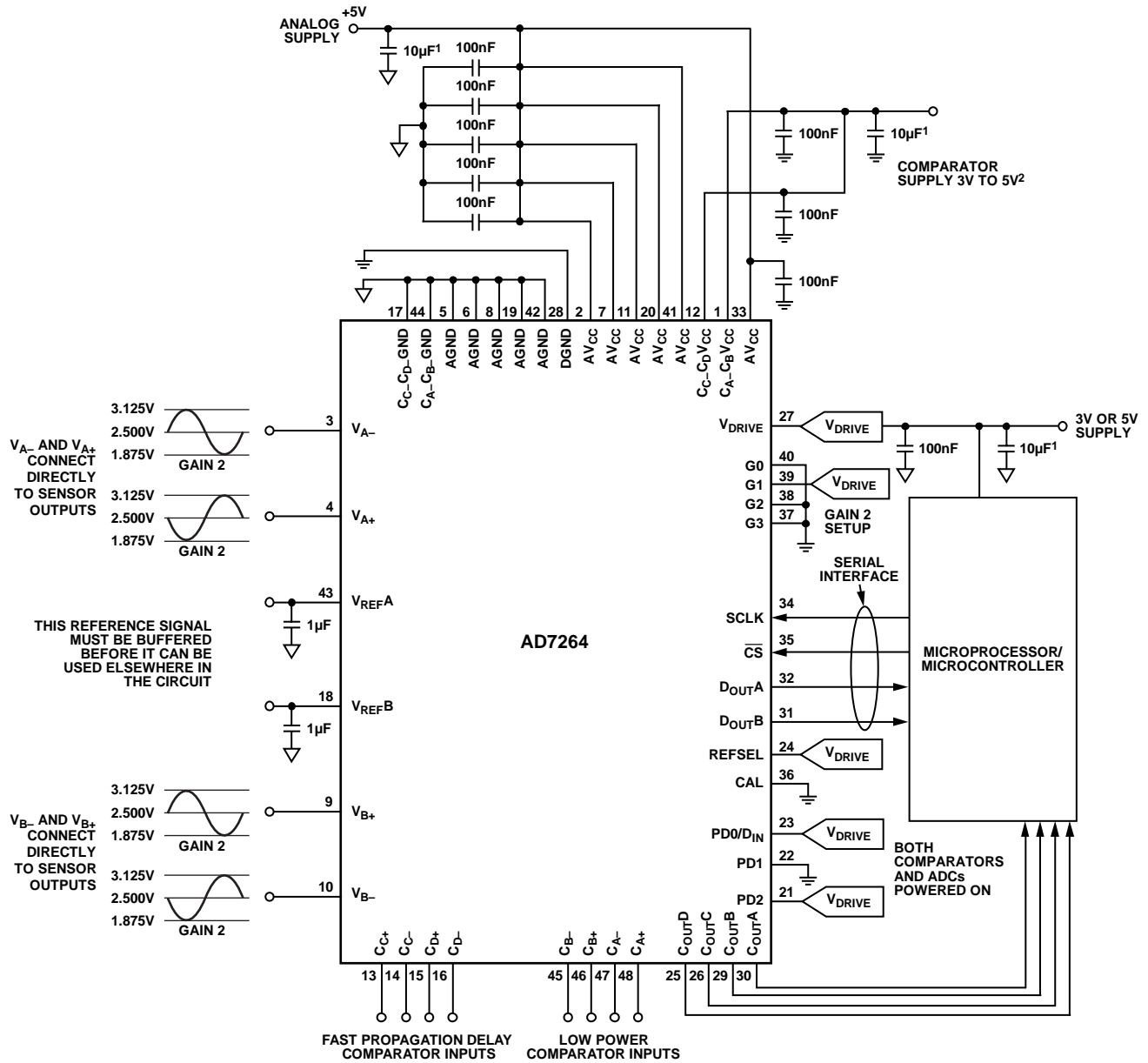
The $\text{C}_{\text{A}}\text{C}_{\text{B}}\text{V}_{\text{CC}}$ and $\text{C}_{\text{C}}\text{C}_{\text{D}}\text{V}_{\text{CC}}$ pins can be connected to either a 3 V or 5 V supply voltage. The AV_{CC} pin must be connected to a 5 V supply. All supplies should be decoupled with a 100 nF capacitor at the device pin, and some supply sources may require a 10 μF capacitor where the source is supplied to the circuit board. The V_{DRIVE} pin is connected to the supply voltage of the microprocessor. The voltage applied to the V_{DRIVE} input controls the voltage of the serial interface. V_{DRIVE} can be set to 3 V or 5 V.



¹THESE CAPACITORS ARE PLACED AT THE SUPPLY SOURCE AND MAY NOT BE REQUIRED IN ALL SYSTEMS.
²THIS SUPPLY CAN BE CONNECTED TO THE ANALOG 5V SUPPLY IF REQUIRED.

Figure 26. Typical Connection Diagram for the AD7264 in Control Register Mode (All Gain Pins Tied to Ground) Configured for a PGA Gain of 2

067732-026



¹THESE CAPACITORS ARE PLACED AT THE SUPPLY SOURCE AND MAY NOT BE REQUIRED IN ALL SYSTEMS.
²THIS SUPPLY CAN BE CONNECTED TO THE ANALOG 5V SUPPLY IF REQUIRED.

Figure 27. Typical Connection Diagram for the AD7264 in Pin Driven Mode with Gain of 2 and Both ADCs and Comparators Fully Powered On

Comparator Application Details

The comparators on the AD7264 have been designed with no internal hysteresis, allowing users the flexibility to add external hysteresis if required for systems operating in noisy environments. If the comparators on the AD7264 are used with external hysteresis, some external resistors and capacitors are required, as shown in Figure 28. The value of R_F and R_S , the external resistors, can be determined using the following equation, depending on the amount of hysteresis required in the application:

$$V_{HYS} = \frac{R_S}{R_S + R_F} \times C_X - C_X V_{CC}$$

where $C_X - C_X V_{CC} = C_A - C_B V_{CC}$ or $C_C - C_D V_{CC}$.

The amount of hysteresis chosen must be sufficient to eliminate the effects of analog noise at the comparator inputs, which may affect the stability of the comparator outputs. The level of hysteresis required in any system depends on the noise in the system; thus, the value of R_F and R_S needs to be carefully selected to eliminate any noise effects. To increase the level of hysteresis in the system, increase the value of R_S or R_F . For example, $R_F = 10 \text{ M}\Omega$, $R_S = 1 \text{ k}\Omega$ gives $330 \mu\text{V}$ of hysteresis with a $C_X - C_X V_{CC}$ of 3.3 V ; if hysteresis is increased to 1 mV , $R_S = 3.1 \text{ k}\Omega$. In certain applications, a load capacitor (100 pF) may be required on the comparator outputs to suppress high frequency transient glitches.

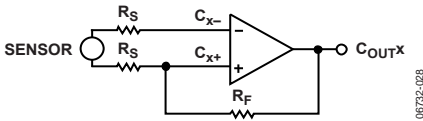


Figure 28. Recommended Comparator Connection Diagram

APPLICATION DETAILS

The AD7264 has been specifically designed to meet the requirements of any motor control shaft position feedback loop. The device can interface directly to multiple sensor types, including optical encoders, magnetoresistive sensors, and Hall effect sensors. Its flexible analog inputs, which incorporate programmable gain, ensure that identical board design can be utilized for a variety of sensors, which results in reduced design cycles and costs.

The two simultaneous sampling ADCs are used to sample the sine and cosine outputs from the sensor. No external buffering is required between the sensor/transducer and the analog inputs of the AD7264. The on-chip comparators can be used to monitor the pole sensors, which can be Hall effect sensors or the inner tracks from an optical encoder.

Figure 29 shows how the AD7264 can be used in a typical application. An optical encoder is shown in Figure 29, but other sensor types can as easily be used. Figure 29 indicates a typical application configuration only; there are several other configurations that render equally effective results.

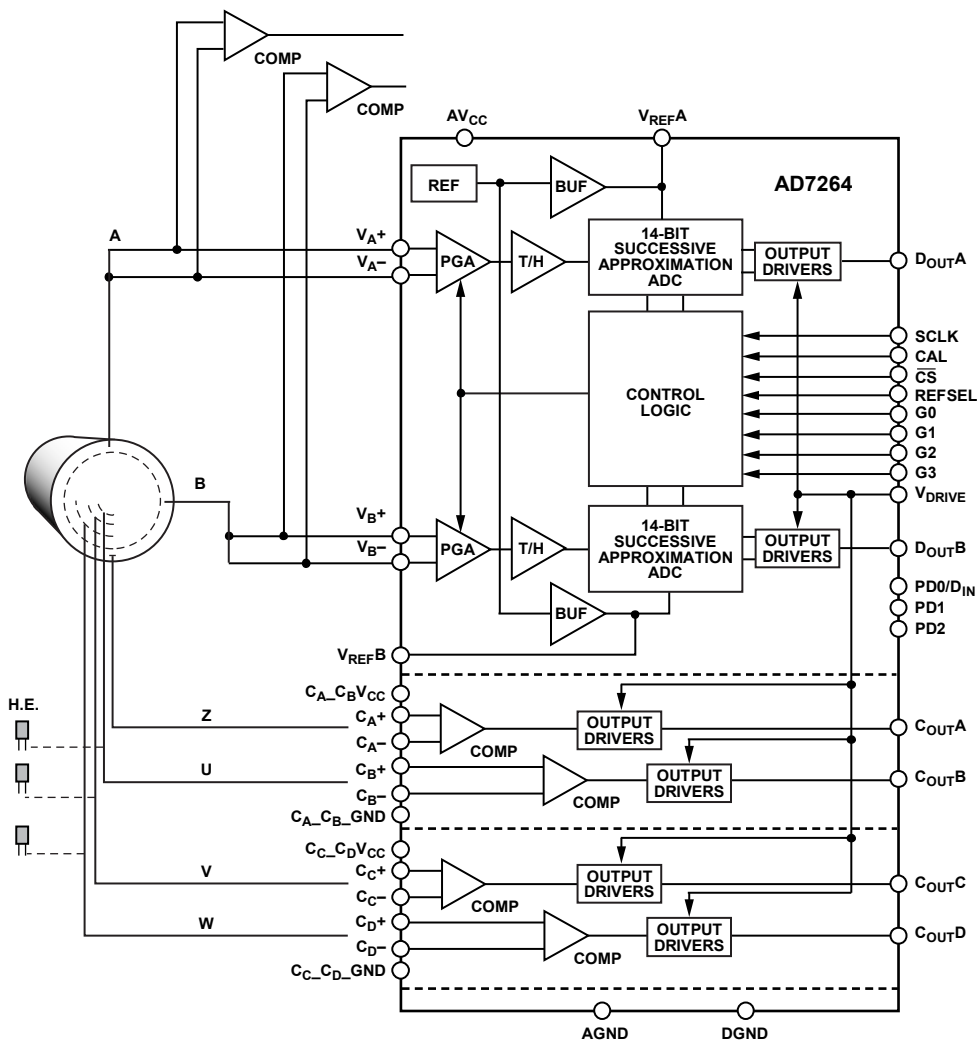


Figure 29. Typical System Connection Diagram with Optical Encoder

MODES OF OPERATION

The AD7264 allows the user to choose between two modes of operation: pin driven mode and control register mode.

PIN DRIVEN MODE

Pin driven mode allows the user to select the gain of the PGA, the power-down mode, internal or external reference, and to initiate a calibration of the offset for both ADC A and ADC B. These functions are implemented by setting the logic levels on the gain pins (G3 to G0), the power-down pins (PD2 to PD0), the REFSEL pin, and the CAL pin, respectively.

The logic state of the G3 to G0 pins determines which mode of operation is selected. Pin driven mode is selected if at least one of the gain pins is set to a logic high state. Alternatively, if all four gain pins are connected to a logic low, the control register mode of operation is selected.

GAIN SELECTION

The on-board PGA allows the user to select from 14 programmable gain stages: $\times 1$, $\times 2$, $\times 3$, $\times 4$, $\times 6$, $\times 8$, $\times 12$, $\times 16$, $\times 24$, $\times 32$, $\times 48$, $\times 64$, $\times 96$, and $\times 128$. The PGA accepts fully differential analog signals and provides three key functions, which include selecting gains for small amplitude input signals, driving the ADCs switched capacitive load, and buffering the source from the switching effects of the SAR ADCs. The AD7264 offers the user great flexibility in user interface, offering gain selection via the control register or by driving the gain pins to the desired logic state. The AD7264 has four gain pins, G3, G2, G1 and G0, as shown in Figure 3 and Figure 4. Each gain setting is selected by setting up the appropriate logic state on each of the four gain pins, as outlined in Table 6. If all four gain pins are connected to a logic low level, the device is put in control register mode, and the gain settings are selected via the control register.

Table 6. Gain Selection

| G3 | G2 | G1 | G0 | Gain |
|----|----|----|----|---------------------------------------|
| 0 | 0 | 0 | 0 | Software control via control register |
| 0 | 0 | 0 | 1 | 1 |
| 0 | 0 | 1 | 0 | 2 |
| 0 | 0 | 1 | 1 | 3 |
| 0 | 1 | 0 | 0 | 4 |
| 0 | 1 | 0 | 1 | 6 |
| 0 | 1 | 1 | 0 | 8 |
| 0 | 1 | 1 | 1 | 12 |
| 1 | 0 | 0 | 0 | 16 |
| 1 | 0 | 0 | 1 | 24 |
| 1 | 0 | 1 | 0 | 32 |
| 1 | 0 | 1 | 1 | 48 |
| 1 | 1 | 0 | 0 | 64 |
| 1 | 1 | 0 | 1 | 96 |
| 1 | 1 | 1 | 0 | 128 |

POWER-DOWN MODES

The AD7264 offers the user several of power-down options to enable individual device components to be powered down independently. These options can be chosen to optimize power dissipation for different application requirements. The power-down modes can be selected by either programming the device via the control register or by driving the PD pins to the appropriate logic levels. By setting the PD pins to a logic low level when in pin driven mode, all four comparators and both ADCs can be powered down. The PD2 and PD0 pins must be set to logic high and the PD1 pin set to logic low level to power up all circuitry on the AD7264. The PD pin configurations for the various power-down options are outlined in Table 7.

Table 7. Power-Down Modes

| PD2 | PD1 | PD0 | Comparator A, Comparator B | Comparator C, Comparator D | ADC A, ADC B |
|----------------|----------------|----------------|----------------------------|----------------------------|--------------|
| 0 | 0 | 0 | Off | Off | Off |
| 0 | 0 | 1 | Off | Off | On |
| 0 | 1 | 0 | Off | On | Off |
| 0 | 1 | 1 | On | Off | Off |
| 1 | 0 | 0 | On | On | Off |
| 1 | 0 | 1 | On | On | On |
| 1 ¹ | 1 ¹ | 1 ¹ | Off | Off | Off |

¹ PD2 = PD1 = PD0 = 1; resets the AD7264 when in pin driven mode only.

The AV_{CC} and V_{DRIVE} supplies must continue to be supplied to the AD7264 when the comparators are powered up but the ADCs are powered down. External diodes can be used from the C_A_C_BV_{CC} and/or C_C_C_DV_{CC} to both the AV_{CC} and the V_{DRIVE} supplies to ensure that they retain a supply at all times.

The AD7264 can be reset in pin driven mode only by setting the PD pins to a logic high state. When the device is reset, all the registers are cleared and the four comparators and the two ADCs are left powered down.

In the normal mode of operation with the ADCs and comparators powered on, the C_A_C_BV_{CC}/C_C_C_DV_{CC} supplies and the AV_{CC} supply can be at different voltage levels, as indicated in Table 1. When the comparators on the AD7264 are in power-down mode and the C_A_C_BV_{CC}/C_C_C_DV_{CC} supplies are at a potential 0.3 V greater than or less than the AV_{CC} supply, the supplies consume more current than would be the case if both sets of supplies were at the same potential. This configuration does not damage the AD7264 but results in additional current flowing in any or all of the AD7264 supply pins. This is due to ESD protection diodes within the device. In applications where power consumption in power-down mode is critical, it is recommended that the C_A_C_BV_{CC}/C_C_C_DV_{CC} supply and the AV_{CC} supply be held at the same potential.

Power-Up Conditions

On power-up, the status of the gain pins determines which mode of operation is selected, as outlined in the Gain Selection section. All registers are set to 0.

If the AD7264 is powered up in pin driven mode, the gain pins and the PD pins should be configured to the appropriate logic states and a calibration initiated if required.

Alternatively, if the AD7264 is powered up in control register mode, the comparators and ADCs are powered down and the default gain is 1. Thus, powering up in control register mode requires a write to the device to power up the comparators and the ADCs.

It takes the AD7264 15 μ s to power up when using an external reference. When the internal reference is used, 240 μ s are required to power up the AD7264 with a 1 μ F decoupling capacitor.

CONTROL REGISTER

The control register on the AD7264 is a 12-bit read and write register that is used to control the device when not in pin driven mode. The PD0/D_{IN} pin serves as the serial D_{IN} pin for the AD7264 when the gain pins are set to 0 (that is, the device is not in pin driven mode). The control register can be used to select the gain of the PGAs, the power-down modes, and the calibration of the offset for both ADC A and ADC B. When in the control register mode of operation, PD1 and PD2 should be connected to a low

logic state. These functions can also be implemented by setting the logic levels on the gain pins, power-down pins, and CAL pin, respectively. The control register can also be used to read the offset and gain registers.

Data is loaded from the PD0/D_{IN} pin of the AD7264 on the falling edge of SCLK when \overline{CS} is in a logic low state. The control register is selected by first writing the appropriate four WR bits, as outlined in Table 10. The 12 data bits must then be clocked into the control register of the device. Thus, on the 16th falling SCLK edge, the LSB is clocked into the device. One more SCLK cycle is then required to write to the internal device registers. In total, 17 SCLK cycles are required to successfully write to the AD7264. The data is transferred on the PD0/D_{IN} line while the conversion result is being processed. The data transferred on the D_{IN} line corresponds to the AD7264 configuration for the next conversion.

Only the information provided on the 12 falling clock edges after the \overline{CS} falling edge and the initial four write address bits is loaded to the control register. The PD0/D_{IN} pin should have a logic low state for the four bits RD3 to RD0 when using the control register to select the power-down modes and gain setting, or when initializing a calibration. The RD bits should also be set to a logic low level to access the ADC results from both D_{OUT}A and D_{OUT}B.

The power-up status of all bits is 0, and the MSB denotes the first bit in the data stream. The bit functions are outlined in Table 9.

Table 8. Control Register Bits

| MSB | | | | | | | | | | | LSB |
|--------|--------|-------|-------|-------|-------|-------|-------|-------|-------|-------|-------|
| Bit 11 | Bit 10 | Bit 9 | Bit 8 | Bit 7 | Bit 6 | Bit 5 | Bit 4 | Bit 3 | Bit 2 | Bit 1 | Bit 0 |
| RD3 | RD2 | RD1 | RD0 | CAL | PD2 | PD1 | PD0 | G3 | G2 | G1 | G0 |

Table 9. Control Register Bit Function Descriptions

| Bits | Mnemonic | Comment |
|---------|------------|--|
| 11 to 8 | RD3 to RD0 | Register address bits. These bits select which register the subsequent read is from. See Table 11. |
| 7 | CAL | Setting this bit high initiates an internal offset calibration. When the calibration is completed, this pin can be reset low, and the internal offset that is stored in the on-chip offset registers is automatically removed from the ADCs results. |
| 6 to 4 | PD2 to PD0 | Power-down bits. These bits select which power-down mode is programmed. See Table 7. |
| 3 to 0 | G3 to G0 | Gain selection bits. These bits select which gain setting is used on the front-end PGA. See Table 6. |

Table 10. Write Address Bits

| WR3 | WR2 | WR1 | WR0 | Read Register Addressed |
|-----|-----|-----|-----|-------------------------|
| 0 | 0 | 0 | 1 | Control register |

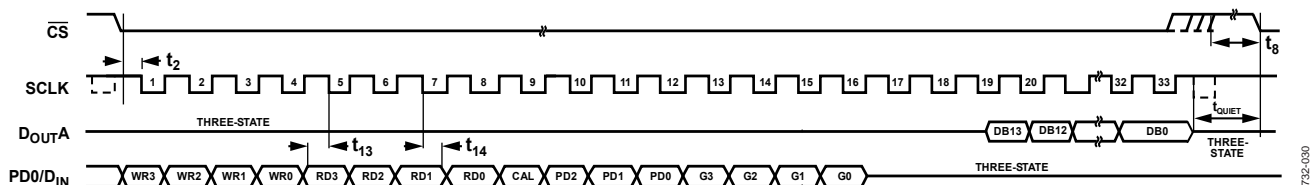


Figure 30. Timing Diagram for a Write Operation to the Control Register

ON-CHIP REGISTERS

The AD7264 contains a control register, two offset registers for storing the offsets for each ADC, and two external gain registers for storing the gain error. The control, offset, and gain registers are read and write registers. On power-up, all registers in the AD7264 are set to 0 by default.

Writing to a Register

Data is loaded from the PD0/D_{IN} pin of the AD7264 on the falling edge of SCLK when \overline{CS} is in a logic low state. Four address bits and 12 data bits must be clocked into the device. Thus, on the 16th falling SCLK edge, the LSB is clocked into the AD7264. One more SCLK cycle is then required to write to the internal device registers. In total, 17 SCLK cycles are required to successfully write to the AD7264. The control and offset registers are 12-bit registers, and the gain registers are 7-bit registers.

When writing to a register, the user must first write the address bits corresponding to the selected register. Table 11 shows the decoding of the address bits. The four RD bits are written MSB first, that is, RD3 followed by RD2, RD1, and RD0. The AD7264 decodes these bits to determine which register is being addressed. The subsequent 12 bits of data are written to the addressed register.

When writing to the external gain registers, the seven bits of data immediately after the four address bits are written to the register. However, 17 SCLK cycles are still required, and the PD0/D_{IN} pin of the AD7264 should be tied low for the five additional clock cycles.

Table 11. Read and Write Register Addresses

| RD3 | RD2 | RD1 | RD0 | Comment |
|-----|-----|-----|-----|-----------------------|
| 0 | 0 | 0 | 0 | ADC result (default) |
| 0 | 0 | 0 | 1 | Control register |
| 0 | 0 | 1 | 0 | Offset ADC A internal |
| 0 | 0 | 1 | 1 | Offset ADC B internal |
| 0 | 1 | 0 | 0 | Gain ADC A external |
| 0 | 1 | 0 | 1 | Gain ADC B external |

Reading from a Register

The internal offset of the device, which has been measured by the AD7264 and stored in the on-chip registers during the calibration, can be read back by the user. The contents of the external gain registers can also be read. To read the contents of any register, the user must first write to the control register by writing 0001 to the WR3 to WR0 bits via the PD0/D_{IN} pin (see Table 10). The next four bits in the control register are the RD bits, which are used to select the desired register from which to read. The appropriate 4-bit addresses for each of the offset and gain registers are listed in Table 11. The remaining eight SCLK cycle bits are used to set the remaining bits in the control register to the desired state for the next ADC conversion.

The 19th SCLK falling edge clocks out the first data bit of the digital code corresponding to the value stored in the selected internal device register on the D_{OUTA} pin. D_{OUTB} outputs the conversion result from ADC B. When the selected register has been read, the control register must be reset to output the ADC results for future conversions. This is achieved by writing 0001 to the WR3 to WR0 bits, followed by 0000 to the RD bits. The remaining eight bits in the control register should then be set to the required configuration for the next ADC conversion.

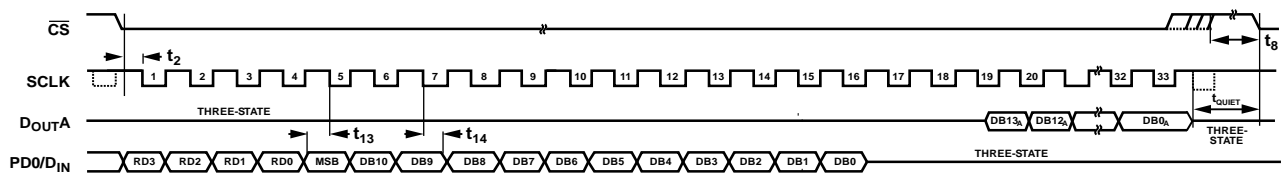


Figure 31. Timing Diagram for Writing to a Register

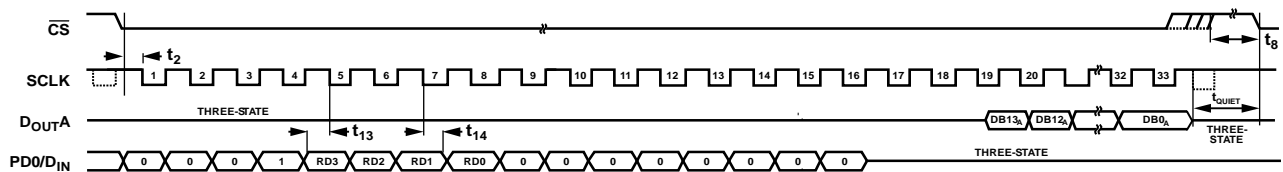


Figure 32. Timing Diagram for a Read Operation with PD0/D_{IN} as an Input

SERIAL INTERFACE

Figure 33 and Figure 34 show the detailed timing diagrams for the serial interface on the AD7264. The serial clock provides the conversion clock and controls the transfer of information from the AD7264 after the conversion. The AD7264 has two output pins corresponding to each ADC. Data can be read from the AD7264 using both D_{OUTA} and D_{OUTB}. Alternatively, a single output pin of the user's choice can be used. The SCLK input signal provides the clock source for the serial interface.

The falling edge of \overline{CS} puts the track-and-hold into hold mode, at which point the analog input is sampled. The conversion is also initiated at this point and requires a minimum of 19 SCLK cycles to complete. The D_{OUTX} lines remain in three-state while the conversion is taking place. On the 19th SCLK falling edge, the AD7264 returns to track mode and the D_{OUTA} and D_{OUTB} lines are enabled. The data stream consists of 14 bits of data, MSB first.

The MSB of the conversion result is clocked out on the 19th SCLK falling edge to be read by the microcontroller or DSP on the subsequent SCLK falling edge (the 20th falling edge). The remaining data is then clocked out by subsequent SCLK falling edges. Thus, the 20th falling clock edge on the serial clock has the MSB provided and also clocks out the second data bit. The remainder of the 14-bit result follows, with the final bit in the data transfer being valid for reading on the 33rd falling edge. The LSB is provided on the 32nd falling clock edge.

The AD7264-5, with its 20 MHz SCLK frequency, easily facilitates reading on the SCLK falling edge. When using a

V_{DRIVE} voltage of 5 V with the AD7264, the maximum specified access time (t_4) is 23 ns, which enables reading on the subsequent falling SCLK edge after the data has been clocked out, as described previously. However, if a V_{DRIVE} voltage of 3 V is used for the AD7264 and the setup time of the microcontroller or DSP is too large to enable reading on the falling SCLK edge, it may be necessary to read on the SCLK rising edge. In this case, the MSB of the conversion result is clocked out on the 19th SCLK falling edge to be read on the 20th SCLK rising edge, as shown in Figure 35. This is possible because the hold time (t_5) is longer for lower V_{DRIVE} voltages. If the data access time is too long to accommodate the setup time of the chosen processor, an alternative to reading on the rising SCLK edge is to use a slower SCLK frequency.

On the rising edge of \overline{CS} , D_{OUTA} and D_{OUTB} go back into three-state. If \overline{CS} is not brought high after 33 SCLK cycles but is instead held low for an additional 14 SCLK cycles, the data from ADC B is output on D_{OUTA} after the ADC A result. Likewise, the data from ADC A is output on D_{OUTB} after the ADC B result. This is illustrated in Figure 34, which shows the D_{OUTA} example. In this case, the D_{OUT} line in use goes back into three-state on the 47th SCLK falling edge or the rising edge of \overline{CS} , whichever occurs first.

If the falling edge of SCLK coincides with the falling edge of \overline{CS} , the falling edge of SCLK is not acknowledged by the AD7264, and the next falling edge of SCLK is the first one registered after the falling edge of \overline{CS} .

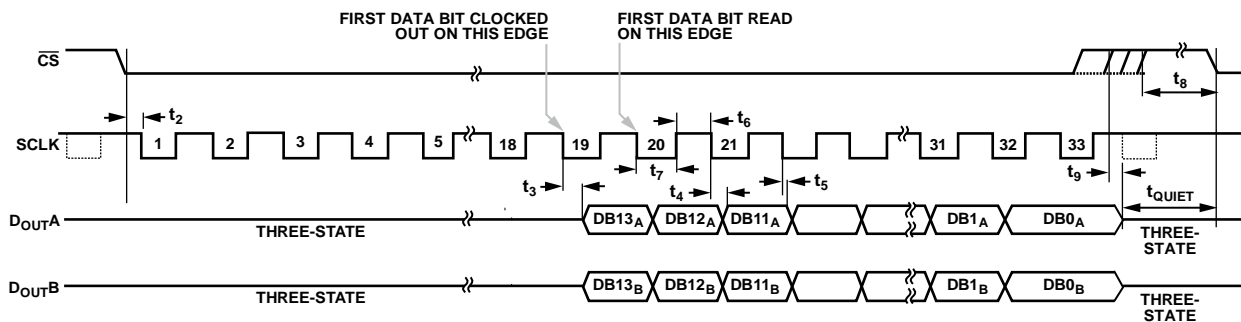


Figure 33. Normal Mode Operation

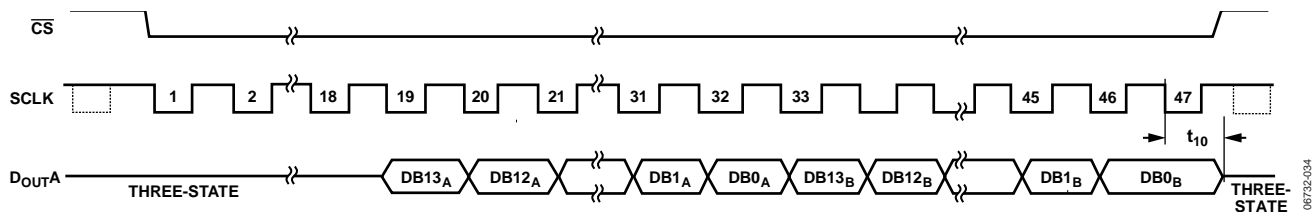


Figure 34. Reading Data from Both ADCs on One D_{OUT} Line with 47 SCLK Cycles

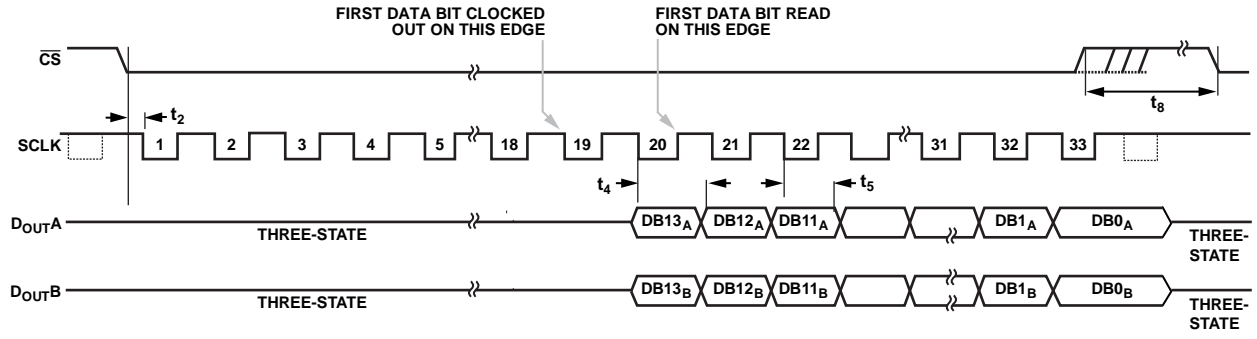


Figure 35. Serial Interface Timing Diagram When Reading Data on the Rising SCLK Edge with $V_{DRIVE} = 3V$

067732-039

CALIBRATION

INTERNAL OFFSET CALIBRATION

The AD7264 allows the user to calibrate the offset of the device using the CAL pin. This is achieved by setting the CAL pin to a high logic level, which initiates a calibration on the next $\overline{\text{CS}}$ falling edge. The calibration requires one full conversion cycle, which contains a $\overline{\text{CS}}$ falling edge followed by 19 SCLK cycles. The CAL pin can remain high for more than one conversion, if desired, and the AD7264 continues to calibrate.

The CAL pin should be driven high only when the $\overline{\text{CS}}$ pin is high or after 19 SCLK cycles have elapsed when $\overline{\text{CS}}$ is low, that is, between conversions. The CAL pin must be driven high t_{12} before $\overline{\text{CS}}$ goes low. If the $\overline{\text{CS}}$ pin goes low before t_{12} elapses, the calibration result is inaccurate for the current conversion; if the CAL pin remains high, the subsequent calibration conversion is correct. If the CAL pin is set to a logic high state during a conversion, that conversion result is corrupted.

If the CAL pin has been held high for a minimum of one conversion and when t_{12} and t_{11} have been adhered to, the calibration is complete after the 19th SCLK cycle and the CAL pin can be driven to a logic low state. The next $\overline{\text{CS}}$ falling edge after the CAL pin has been driven to a low logic state initiates a conversion of the differential analog input signal for both ADC A and ADC B.

Alternatively, the control register can be used to initiate an offset calibration. This is done by setting the CAL bit in the control register to 1. The calibration is then initiated on the next $\overline{\text{CS}}$ falling edge, but the current conversion is corrupted. The ADCs on the AD7264 must remain fully powered up to complete the internal calibration.

The AD7264 registers store the offset value, which can easily be accessed by the user (see the Reading from a Register section). When the device is calibrating, the differential analog inputs for each respective ADC are shorted together internally and a conversion is performed. A digital code representing the offset is stored internally in the offset registers, and subsequent conversion results have this measured offset removed.

When the AD7264 is calibrated, the calibration results stored in the internal device registers are relevant only for the particular PGA gain selected at the time of calibration. If the PGA gain is changed, the AD7264 must be recalibrated. If the device is not recalibrated when the PGA gain is changed, the offset for the previous gain setting continues to be removed from the digital output code, which may lead to inaccuracies.

The offset range that can be calibrated for is ± 500 LSB at a gain of 1. The maximum offset voltage that can be calibrated for is reduced as the gain of the PGA is increased.

Table 12 details the maximum offset voltage that can be removed by the AD7264 without compromising the available digital output code range. The least significant bit size is $AV_{CC}/2^{\text{Bits}}$, which is 5/16,384 or 305 μV for the AD7264. The maximum removable offset voltage is given by

$$\pm 500 \text{ LSB} \times \frac{305 \mu\text{V}}{\text{Gain}}$$

Table 12. Offset Voltage Range

| Gain | Maximum Removable Offset Voltage |
|------|----------------------------------|
| 1 | $\pm 152.5 \text{ mV}$ |
| 2 | $\pm 76.25 \text{ mV}$ |
| 3 | $\pm 50.83 \text{ mV}$ |
| 32 | $\pm 4.765 \text{ mV}$ |

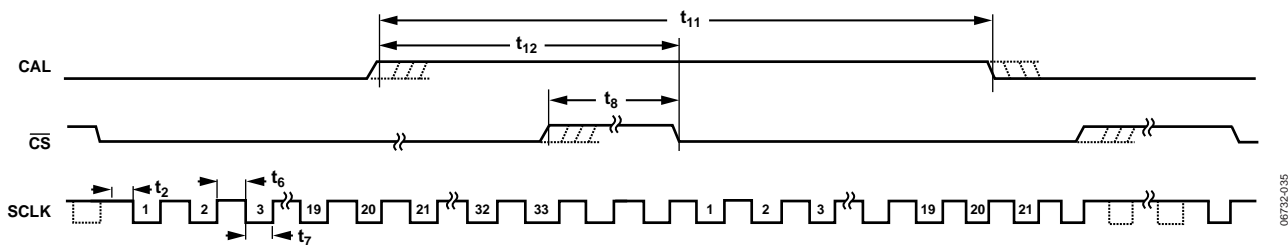


Figure 36. Calibration Timing Diagram

ADJUSTING THE OFFSET CALIBRATION REGISTER

The internal offset calibration register can be adjusted manually to compensate for any signal path offset from the sensors to the ADC. No internal calibration is required, and the CAL pin can remain at a low logic state. By changing the contents of the offset register, different amounts of offset on the analog input signal can be compensated for. Use the following steps to determine the digital code to be written to the offset register:

1. Configure the sensor to its offset state.
2. Perform a number of conversions using the AD7264.
3. Take the mean digital output code from both D_{OUTA} and D_{OUTB}. This is a 14-bit result but the offset register is only 12 bits; thus, the 14-bit result needs to be converted to a 12-bit result that can be stored in the offset register. This is achieved by keeping the sign bit and removing the second and third MSBs.
4. The resultant digital code can then be written to the offset registers to calibrate the AD7264.

Example:

Mean digital code from D_{OUTA} = 8100 (01 1111 1010 0100)
Code written to offset register = 0111 1010 0100

If a +10 mV offset is present in the analog input signal and the gain of the PGA is 2, the code that needs to be written to the offset register to compensate for the offset is

$$\frac{+10 \text{ mV}}{(305 \mu\text{V}/2)} = 65.57 = 0000 \ 0100 \ 0001$$

If a -10 mV offset is present in the analog input signal and the gain of the PGA is 2, the code that needs to be written to the offset register to compensate for the offset is

$$\frac{-10 \text{ mV}}{(305 \mu\text{V}/2)} = -65.57 = 1000 \ 0100 \ 0001$$

SYSTEM GAIN CALIBRATION

The AD7264 also allows the user to write to an external gain register, thus enabling the removal of any overall system gain error. Both ADC A and ADC B have independent external gain registers, allowing the user to calibrate independently the gain on both ADC A and ADC B signal paths. The gain calibration feature can be used to implement accurate gain matching between ADC A and ADC B.

The system calibration function is used by setting the sensors to which the AD7264 is connected to a 0 gain state. The AD7264 converts this analog input to a digital output code, which corresponds to the system gain and is available on the D_{OUT} pins. This digital output code can then be stored in the appropriate external register. For details on how to write to a register, see the Writing to a Register section and Table 11.

The gain calibration register contains seven bits of data. By changing the contents of the gain register, different amounts of gain on the analog input signal can be compensated for. The MSB is a sign bit, while the remaining six bits store the multiplication factor, which is used to adjust the analog input range. The gain register value is effectively multiplied by the analog input to scale the conversion result over the full range. Increasing the gain register multiplication factor compensates for a larger analog input range, and decreasing the gain register multiplier compensates for a smaller analog input range. Each bit in the gain calibration register has a resolution of $2.4 \times 10^{-4} \text{ V}$ (1/4096). A maximum of 1.538% of the analog range can be calibrated for. The multiplier factor stored in the gain register can be decoded as outlined in Table 13.

The gain registers can be cleared by writing all 0s to each register, as described in the Writing to a Register section. For accurate gain calibration, both the positive and negative full-scale digital output codes should be measured prior to determining the multiplication factor that is written to the gain register.

Table 13. Decoding of Multiplication Factors for Gain Calibration

| Analog Input (V) | Digital Gain Error (LSB) | Gain Register Code (Sign Bit + 6 Bits) | Multiplier Equation ($1 \pm x/4096$) | Multiplier Value | Comments |
|-------------------------------------|--------------------------|--|--|------------------|--|
| V _{IN max} | 0 LSB | 0 000000 | $1 - 0/4096$ | 1 | Sign bit = 0; negative sign in multiplier equation |
| V _{IN max} - 244 μV | -2 LSB | 0 000001 | $1 - 1/4096$ | 0.999755859 | Sign bit = 0; negative sign in multiplier equation |
| V _{IN max} - (63 × 244 μV) | -126 LSB | 0 111111 | $1 - 63/4096$ | 0.98461914 | Sign bit = 0; negative sign in multiplier equation |
| V _{IN max} | 0 LSB | 1 000000 | $1 + 0/4096$ | 1 | Sign bit = 1; plus sign in multiplier equation |
| V _{IN max} + 244 μV | +2 LSB | 1 000001 | $1 + 1/4096$ | 1.000244141 | Sign bit = 1; plus sign in multiplier equation |
| V _{IN max} + (63 × 244 μV) | +126 LSB | 1 111111 | $1 + 63/4096$ | 1.015380859 | Sign bit = 1; plus sign in multiplier equation |

APPLICATIONS INFORMATION

GROUNDING AND LAYOUT

The analog and digital supplies to the AD7264 are independent and separately pinned out to minimize coupling between the analog and digital sections of the device. The printed circuit board (PCB) that houses the AD7264 should be designed so that the analog and digital sections are separated and confined to certain areas of the board. This design facilitates the use of ground planes that can be easily separated.

To provide optimum shielding for ground planes, a minimum etch technique is generally best. All five AGND pins of the AD7264 should be sunk in the AGND plane. Digital and analog ground planes should be joined in only one place. If the AD7264 is in a system where multiple devices require an AGND to DGND connection, the connection should still be made at only one point, a star ground point, that should be established as close as possible to the ground pins on the AD7264.

Avoid running digital lines under the device because this couples noise onto the die. However, the analog ground plane should be allowed to run under the AD7264 to avoid noise coupling. The power supply lines to the AD7264 should use as large a trace as possible to provide low impedance paths and reduce the effects of glitches on the power supply line.

To avoid radiating noise to other sections of the board, fast switching signals, such as clocks, should be shielded with digital ground, and clock signals should never run near the analog inputs. Avoid crossover of digital and analog signals. To reduce the effects of feedthrough within the board, traces on opposite sides of the board should run at right angles to each other. A microstrip technique is the best method but is not always possible with a double-sided board. In this technique, the component side of the board is dedicated to ground planes, while signals are placed on the solder side.

Good decoupling is also important. All analog supplies should be decoupled with 10 μ F tantalum capacitors in parallel with 100 nF capacitors to GND. To achieve the best results from these decoupling components, they must be placed as close as possible to the device, ideally right up against the device. The 0.1 μ F capacitors should have low effective series resistance (ESR) and low effective series inductance (ESI), such as the common ceramic types or surface-mount types. These low ESR and low ESI capacitors provide a low impedance path to ground at high frequencies to handle transient currents due to internal logic switching.

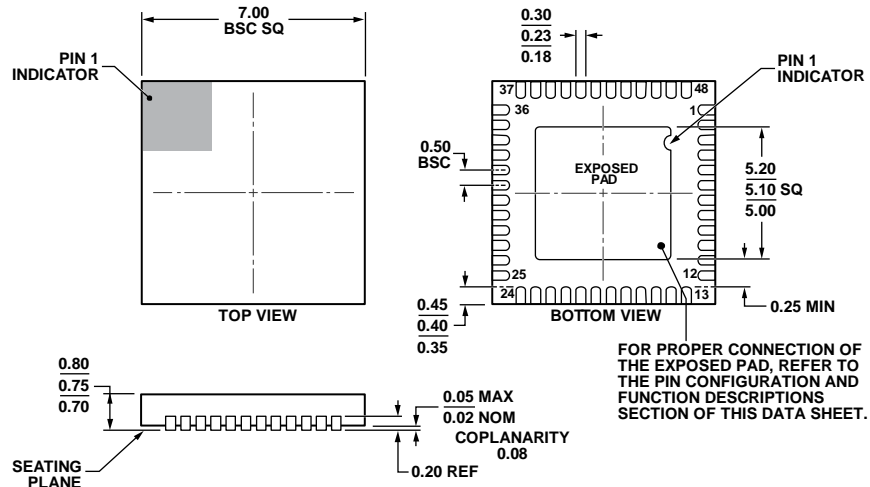
PCB DESIGN GUIDELINES FOR LFCSP

The lands on the chip scale package (CP-48-1) are rectangular. The PCB pad for these should be 0.1 mm longer than the package land length, and 0.05 mm wider than the package land width, leaving a portion of the pad exposed. To ensure that the solder joint size is maximized, the land should be centered on the pad.

The bottom of the chip scale package has a thermal pad. The thermal pad on the PCB should be at least as large as the exposed pad. On the PCB, there should be a clearance of at least 0.25 mm between the thermal pad and the inner edges of the pad pattern to ensure that shorting is avoided.

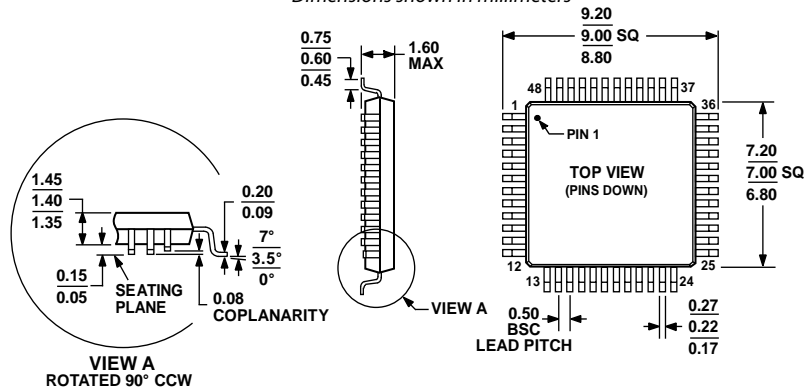
To improve thermal performance of the package, use thermal vias on the PCB, incorporating them in the thermal pad at 1.2 mm pitch grid. The via diameter should be between 0.3 mm and 0.33 mm, and the via barrel should be plated with 1 oz copper to plug the via. The user should connect the PCB thermal pad to AGND.

OUTLINE DIMENSIONS



COMPLIANT TO JEDEC STANDARDS MO-220-WKGD.
 Figure 37. 48-Lead Lead Frame Chip Scale Package [LFCSP]
 7 mm × 7 mm Body and 0.75 mm Package Height
 (CP-48-4)

Dimensions shown in millimeters



COMPLIANT TO JEDEC STANDARDS MS-026-BBC
 Figure 38. 48-Lead Low Profile Quad Flat Package [LQFP]
 (ST-48)

Dimensions shown in millimeters

ORDERING GUIDE

| Model ¹ | Temperature Range | Package Description | Package Option |
|--------------------|-------------------|---|----------------|
| AD7264BCPZ | -40°C to +105°C | 48-Lead Lead Frame Chip Scale Package [LFCSP] | CP-48-4 |
| AD7264BCPZ-RL7 | -40°C to +105°C | 48-Lead Lead Frame Chip Scale Package [LFCSP] | CP-48-4 |
| AD7264BCPZ-5 | -40°C to +105°C | 48-Lead Lead Frame Chip Scale Package [LFCSP] | CP-48-4 |
| AD7264BCPZ-5-RL7 | -40°C to +105°C | 48-Lead Lead Frame Chip Scale Package [LFCSP] | CP-48-4 |
| AD7264BSTZ | -40°C to +105°C | 48-Lead Low Profile Quad Flat Package [LQFP] | ST-48 |
| AD7264BSTZ-RL7 | -40°C to +105°C | 48-Lead Low Profile Quad Flat Package [LQFP] | ST-48 |
| AD7264BSTZ-5 | -40°C to +105°C | 48-Lead Low Profile Quad Flat Package [LQFP] | ST-48 |
| AD7264BSTZ-5-RL7 | -40°C to +105°C | 48-Lead Low Profile Quad Flat Package [LQFP] | ST-48 |
| EVAL-AD7264EDZ | | Evaluation Board | |
| EVAL-CED1Z | | Development Board | |

¹ Z = RoHS Compliant Part.