



High Speed CMOS Bus Interface 9-Bit and 10-Bit Tranceivers

QS54/74FCT861T
QS54/74FCT862T*
QS54/74FCT863T*
QS54/74FCT864T*

QS54/74FCT2861T*
QS54/74FCT2862T*
QS54/74FCT2863T*
QS54/74FCT2864T*

FEATURES/BENEFITS

- Pin and function compatible to the 74F861/862/863/864 74FCT861/862/863/864 and 74FCT861T/862T/863T/864T
- CMOS power levels: <7.5 mW static
- Available in DIP, SOIC, QSOP, ZIP
- Undershoot clamp diodes on all inputs
- TTL-compatible input and output levels
- Ground bounce controlled outputs
- Reduced output swing of 0-3.5V
- Military product compliant to MIL-STD-883

FCT-T 861T, 862T, 863T, 864T

- JEDEC-FCT spec compatible
- Fastest CMOS logic family available
- A and B speed grades with 6 ns t_{PD} for B
- $I_{OL} = 48$ mA Com., 32 mA Mil.

FCT-T 2861T, 2862T, 2863T, 2864T

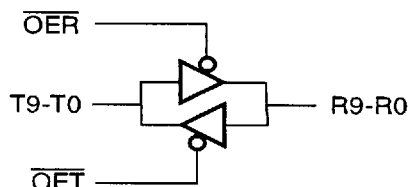
- Built-in 25Ω series resistor outputs reduce reflection and other system noise
- A and B speed grades with 6 ns t_{PD} for B
- $I_{OL} = 12$ mA

DESCRIPTION

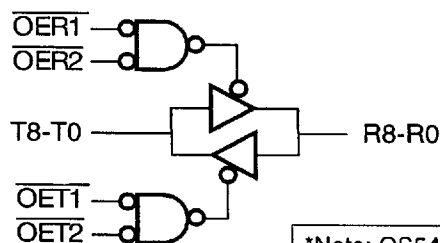
The QSFCT861/2/3/4T and QSFCT2861/2/3/4T are 9-bit and 10-bit inverting and non-inverting bus transceivers. Separate enables for each bus control the direction of data flow. The 2861/2/3/4A/B are 25Ω resistor output versions useful for driving transmission lines and reducing system noise. The 2861 parts can replace the 861 series to reduce noise in an existing design. All inputs have clamp diode for undershoot noise suppression. All outputs have ground bounce suppression (see QSI Application Note AN-001), and outputs will not load an active bus when V_{CC} is removed from the device.

FUNCTIONAL BLOCK DIAGRAMS

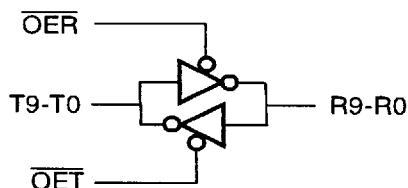
FCT861 — 10-Bit



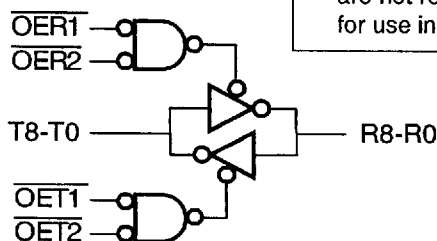
FCT863 — 9-Bit



FCT862 — 10-Bit



FCT864 — 9-Bit

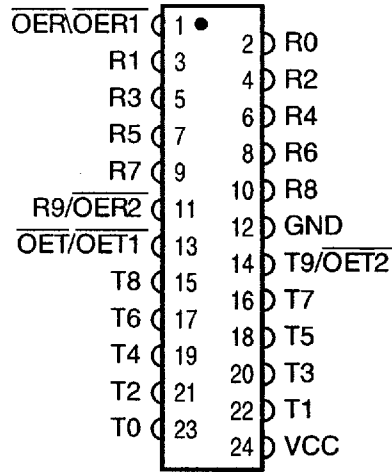
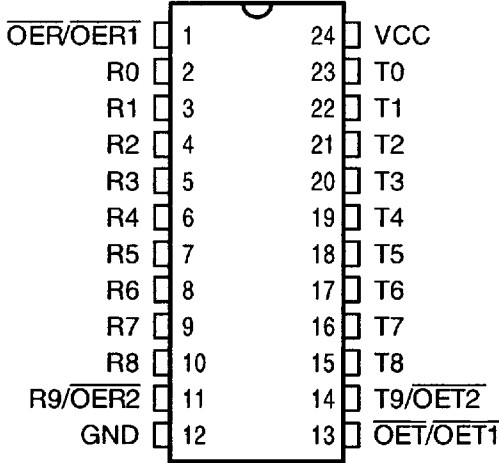


*Note: QS54/74FCT862T, 863T, 864T, 2861T, 2862T, 2863T, 2864T are not recommended for use in new designs

PIN CONFIGURATIONS (All Pins Top View)

PDIP, SOIC, QSOP

ZIP



PIN DESCRIPTION

Name	I/O	Description
Ti	I/O	T Bus
Ri	I/O	R Bus
$\overline{OER}, \overline{OET}$	I	R, T Enable

FUNCTION TABLE

Enables		861, 863		862, 864		Function
\overline{OER}	\overline{OET}	Ti	Ri	Ti	Ri	
H	H	Hi-Z	Hi-Z	Hi-Z	Hi-Z	Disable, Hi-Z
L	H	L	L	L	H	T → R
L	H	H	H	H	L	T → R
H	L	L	L	H	L	R → T
H	L	H	H	L	H	R → T

ABSOLUTE MAXIMUM RATINGS

Supply Voltage to Ground	-0.5V to +7.0V
DC Output Voltage V_{OUT}	-0.5V to +7.0V
DC Input Voltage V_{IN}	-0.5V to +7.0V
AC Input Voltage (for a pulse width ≤ 20 ns)	-3.0V
DC Input Diode Current with $V_{IN} < 0$	-20 mA
DC Output Diode Current with $V_{OUT} < 0$	-50 mA
DC Output Current Max. Sink Current/Pin	120 mA
Maximum Power Dissipation	0.5 watts
T_{STG} Storage Temperature	-65° to +150°C

Note: Stresses greater than those listed under ABSOLUTE MAXIMUM RATINGS may cause permanent damage to QSI devices that result in functional or reliability type failures.

CAPACITANCE

$T_A = 25^\circ\text{C}$, $f = 1$ MHz, $V_{IN} = 0\text{V}$, $V_{OUT} = 0\text{V}$

Pins	SOIC	QSOP	PDIP	ZIP	Unit
—	4	4	5	7	pF
—	6	6	7	9	pF
1-11, 13-23	8	8	9	10	pF

Note: Capacitance is characterized but not tested.

POWER SUPPLY CHARACTERISTICS

Symbol	Parameter	Test Conditions ⁽¹⁾	Min	Max	Unit
I_{CC}	Quiescent Power Supply Current	$V_{CC} = \text{Max.}$, $\text{freq} = 0$ $0\text{V} \leq V_{IN} \leq 0.2\text{V}$ or $V_{CC} - 0.2\text{V} \leq V_{IN} \leq V_{CC}$	—	1.5	mA
ΔI_{CC}	Supply Current per Input @ TTL HIGH	$V_{CC} = \text{Max.}$, $V_{IN} = 3.4\text{V}$, $\text{freq} = 0$ ⁽²⁾	—	2.0	mA
Q_{CCD}	Supply Current per Input per MHz	$V_{CC} = \text{Max.}$, Outputs open and enabled One bit toggling @ 50% duty cycle Other inputs at GND or V_{CC} ^(3,4)	—	0.25	mA/MHz

Notes:

1. For conditions shown as Min. or Max., use the appropriate values specified under DC specifications.
2. Per TTL driven input ($V_{IN} = 3.4\text{V}$).
3. For flip-flops, Q_{CCD} is measured by switching one of the data input pins so that the output changes every clock cycle. This is a measurement of device power consumption only and does not include power to drive load capacitance or tester capacitance. This parameter is guaranteed by design but not tested.
4. I_C can be computed using the above parameters as explained in the Technical Overview section.

DC ELECTRICAL CHARACTERISTICS OVER OPERATING RANGE

Commercial $T_A = 0^\circ\text{C}$ to 70°C , $V_{CC} = 5.0\text{V} \pm 5\%$

Military $T_A = -55^\circ\text{C}$ to 125°C , $V_{CC} = 5.0\text{V} \pm 10\%$

Symbol	Parameter	Test Conditions	Min	Typ ⁽¹⁾	Max	Unit
V_{IH}	Input HIGH Voltage	Logic HIGH for All Inputs	2.0	—	—	V
V_{IL}	Input LOW Voltage	Logic LOW for All Inputs	—	—	0.8	V
ΔV_T	Input Hysteresis	$V_{TLH} - V_{THL}$ for All Inputs	—	0.2	—	V
$ I_{IH} $ $ I_{IL} $	Input Current Input HIGH or LOW	$V_{CC} = \text{Max.}, 0 \leq V_{IN} < V_{CC}$	—	—	5	μA
$ I_{OZ} $	Off-State Output Current (Hi-Z)	$V_{CC} = \text{Max.}, 0 \leq V_{IN} \leq V_{CC}$	—	—	5	μA
I_{OS}	Short Circuit Current (FCTXXX)	$V_{CC} = \text{Max.}, V_{OUT} = \text{GND}^{(2,3)}$	-60	—	—	mA
I_{OR}	Current Drive (FCT2XXX - 25 Ω)	$V_{CC} = \text{Min.}, V_{OUT} = 2.0\text{V}^{(3)}$	50	—	—	mA
V_{IC}	Input Clamp Voltage	$V_{CC} = \text{Min.}, I_{IN} = -18 \text{ mA}, T_A = 25^\circ\text{C}^{(3)}$	—	-0.7	-1.2	V
V_{OH}	Output HIGH Voltage	$V_{CC} = \text{Min.}$ $I_{OH} = -12 \text{ mA (MIL)}$ $I_{OH} = -15 \text{ mA (COM)}$	2.4 2.4	— —	— —	V
V_{OL}	Output LOW Voltage (FCTXXX)	$V_{CC} = \text{Min.}$ $I_{OL} = 32 \text{ mA (MIL)}$ $I_{OL} = 48 \text{ mA (COM)}$	— —	— —	0.50 0.50	V
V_{OL}	Output LOW Voltage (FCT2XXX - 25 Ω)	$V_{CC} = \text{Min.}$ $I_{OL} = 12 \text{ mA (MIL)}$ $I_{OL} = 12 \text{ mA (COM)}$	— —	— —	0.50 0.50	V
R_{OUT}	Output Resistance (FCT2XXX - 25 Ω)	$V_{CC} = \text{Min.}$ $I_{OL} = 12 \text{ mA (MIL)}$ $I_{OL} = 12 \text{ mA (COM)}$	— 20	25 28	— 40	Ω

Notes:

1. Typical values indicate $V_{CC} = 5.0\text{V}$ and $T_A = 25^\circ\text{C}$.
2. Not more than one output should be shorted and the duration is ≤ 1 second.
3. These parameters are guaranteed by design but not tested.

QSFACT861T, 862T, 863T, 864T, 2861T, 2862T 2863T, 2864T

SWITCHING CHARACTERISTICS OVER OPERATING RANGE

Commercial TA = 0°C to 70°C, Vcc = 5.0V ± 5%

Military TA = -55°C to 125°C, Vcc = 5.0V ± 10%

CLOAD = 50 pF, RLOAD = 500Ω unless otherwise noted.

Symbol	Description		861A, 2861A 861A, 2861A 863A, 2863A 864A, 2864A		861B, 2861B 861B, 2861B 863B, 2863B 864B, 2864B		Unit
			Min	Max	Min	Max	
tPHL	Propagation Delay	COM		8		6	ns
tPLH	Ti to/from Ri, 861/863	MIL		9		6.5	
tPHL	Propagation Delay	COM ^(1,2)		15		13	ns
tPLH	Ti to/from Ri, 861/863	MIL ^(1,2)		17		14	
tPHL	Propagation Delay	COM		8		6	ns
tPLH	Ti to/from Ri, 2861/2863	MIL		9		6.5	
tPHL	Propagation Delay	COM ^(1,2)		17		—	ns
tPLH	Ti to/from Ri, 2861/2863	MIL ^(1,2)		18		—	
tPHL	Propagation Delay	COM		7.5		5.5	n
tPLH	Ti to/from Ri, 862/864	MIL		9		6.5	
tPHL	Propagation Delay	COM ^(1,2)		14		13	ns
tPLH	Ti to/from Ri, 862/864	MIL ^(1,2)		16		14	
tPHL	Propagation Delay	COM		9		5.5	n
tPLH	Ti to/from Ri, 2862/2864	MIL		10		6.5	
tPHL	Propagation Delay	COM ^(1,2)		17		—	ns
tPLH	Ti to/from Ri, 2862/2864	MIL ^(1,2)		18		—	
tPZH	Output Enable Time	COM		11		8	ns
tPZL	\overline{OE} to Ti or Ri, 861/2/3/4	MIL		13		9	
tPZH	Output Enable Time	COM ^(1,2)		10		15	ns
tPZL	\overline{OE} to Ti or Ri, 861/2/3/4	MIL ^(1,2)		11		16	
tPZH	Output Enable Time	COM		11		8	n
tPZL	\overline{OE} to Ti or Ri, 861/2/3/4	MIL		13		9	
tPZH	Output Enable Time	COM ^(1,2)		10		—	ns
tPZL	\overline{OE} to Ti or Ri, 861/2/3/4	MIL ^(1,2)		11		—	
tPHZ	Output Disable Time	COM ^(1,3)		9		6	ns
tPLZ	\overline{OE} to Ti or Ri	MIL ^(1,3)		9		7	
tPHZ	Output Disable Time	COM ⁽¹⁾		10		7	ns
tPLZ	\overline{OE} to Ti or Ri	MIL ⁽¹⁾		10		8	

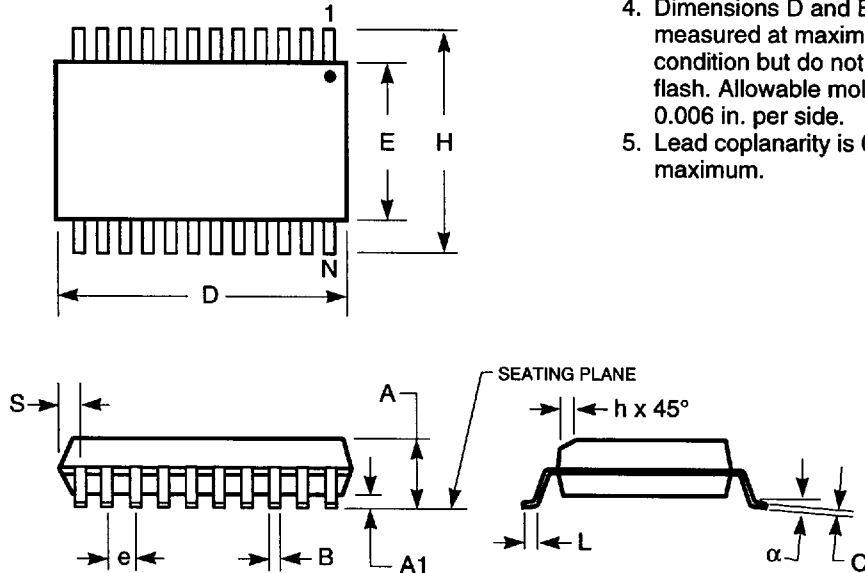
Notes:

1. These parameters are guaranteed by design but not tested in final production.
2. CLOAD = 300 pF.
3. CLOAD = 5 pF.

PACKAGING INFORMATION

150-MIL QSOP - Package Code Q

Quarter-Size Outline Package
Plastic Small Outline Gull-Wing



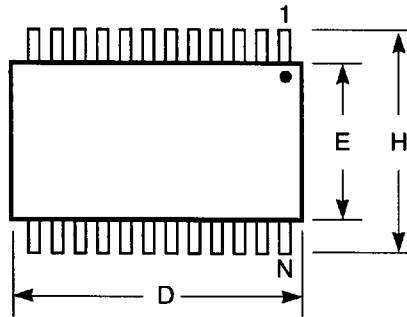
Notes:

1. Refer to applicable symbol list.
2. All dimensions are in inches.
3. N is the number of lead positions.
4. Dimensions D and E are to be measured at maximum material condition but do not include mold flash. Allowable mold flash is 0.006 in. per side.
5. Lead coplanarity is 0.004 in. maximum.

JEDEC#	MO-137AB			MO-137AD			MO-137AE			MO-137AF		
DWG#	PSS-16A			PSS-20A			PSS-24A			PSS-28A		
Symbol	Min	Nom	Max	Min	Nom	Max	Min	Nom	Max	Min	Nom	Max
A	0.060	0.064	0.068	0.060	0.064	0.068	0.060	0.064	0.068	0.060	0.064	0.068
A1	0.004	0.006	0.008	0.004	0.006	0.008	0.004	0.006	0.008	0.004	0.006	0.008
B	0.009	0.010	0.012	0.009	0.010	0.012	0.009	0.010	0.012	0.009	0.010	0.012
C	0.007	0.008	0.010	0.007	0.008	0.010	0.007	0.008	0.010	0.007	0.008	0.010
D	0.189	0.193	0.197	0.337	0.341	0.344	0.337	0.341	0.344	0.386	0.390	0.394
E	0.150	0.154	0.157	0.150	0.154	0.157	0.150	0.154	0.157	0.150	0.154	0.157
e	0.025 BSC			0.025 BSC			0.025 BSC			0.025 BSC		
H	0.230	0.236	0.244	0.230	0.236	0.244	0.230	0.236	0.244	0.230	0.236	0.244
h	0.010	0.013	0.016	0.010	0.013	0.016	0.010	0.013	0.016	0.010	0.013	0.016
L	0.016	0.025	0.035	0.016	0.025	0.035	0.016	0.025	0.035	0.016	0.025	0.035
N	16			20			24			28		
α	0°	5°	8°	0°	5°	8°	0°	5°	8°	0°	5°	8°
S	0.006	0.009	0.010	0.056	0.058	0.060	0.031	0.033	0.035	0.031	0.033	0.035

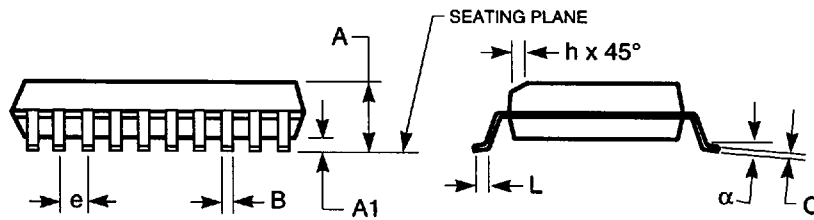
PACKAGING INFORMATION

300-MIL SOIC - Package Code SO Plastic Small Outline Gull-Wing



Notes:

1. Refer to applicable symbol list.
2. All dimensions are in inches.
3. N is the number of lead positions.
4. Dimensions D and E are to be measured at maximum material condition but do not include mold flash. Allowable mold flash is 0.006 in. per side.
5. Lead coplanarity is 0.004 in. maximum.



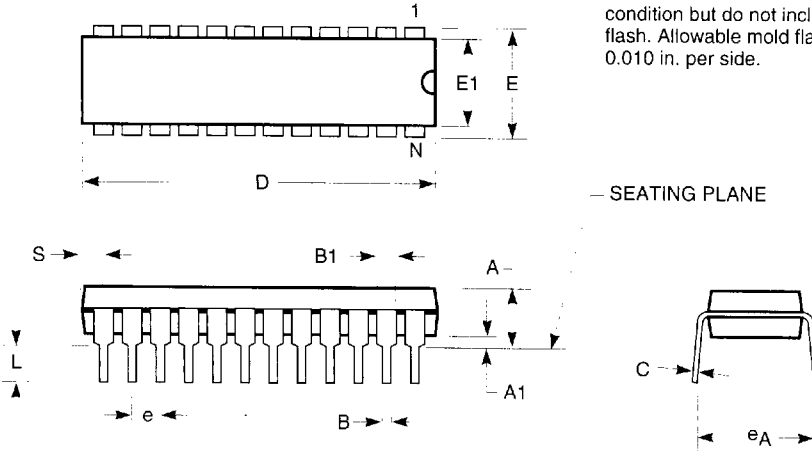
JEDEC#	MS-013AA		MS-013AC		MS-013AD		MS-013AE	
DWG#	PS16A		PS20A		PS24A		PS28A	
Symbol	Min	Max	Min	Max	Min	Max	Min	Max
A	0.096	0.104	0.096	0.104	0.096	0.104	0.096	0.104
A1	0.005	0.011	0.005	0.011	0.005	0.011	0.005	0.011
B	0.014	0.019	0.014	0.019	0.014	0.019	0.014	0.019
C	0.009	0.012	0.009	0.012	0.009	0.012	0.009	0.012
D	0.402	0.412	0.500	0.510	0.602	0.612	0.701	0.711
E	0.292	0.299	0.292	0.299	0.292	0.299	0.292	0.299
e	0.044	0.056	0.044	0.056	0.044	0.056	0.044	0.056
H	0.396	0.416	0.396	0.416	0.396	0.416	0.396	0.416
h	0.010	0.016	0.010	0.016	0.010	0.016	0.010	0.016
L	0.020	0.040	0.020	0.040	0.020	0.040	0.020	0.040
N	16		20		24		28	
α	0°	8°	0°	8°	0°	8°	0°	8°

PACKAGING INFORMATION

300-MIL PDIP - Package Code P Plastic Dual In-line Package

Notes:

1. Refer to applicable symbol list.
2. All dimensions are in inches.
3. N is the number of lead positions.
4. Dimensions D and E are to be measured at maximum material condition but do not include mold flash. Allowable mold flash is 0.010 in. per side.



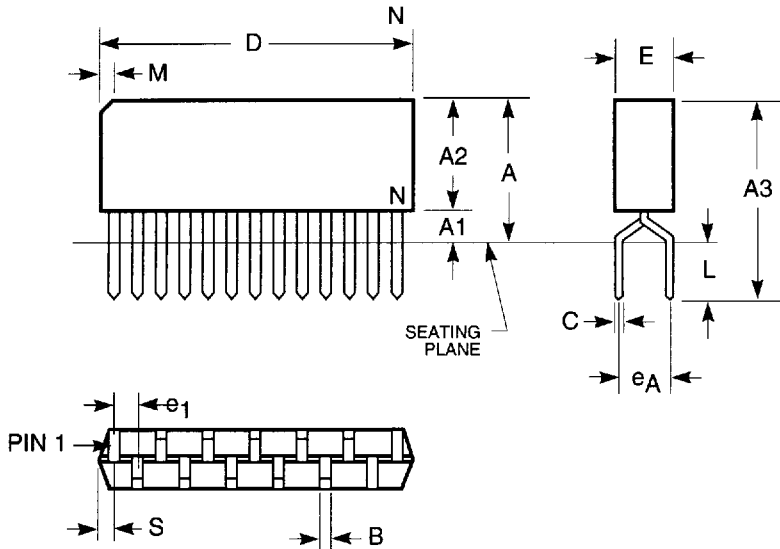
JEDEC#	MS-001AC		MS001AA		MS-001AE		N/A		MS-001AF		MO-095AH	
DWG#	PD14A		PD16A		PD20A		PT22B		PT24A		PT28A	
Symbol	Min	Max	Min	Max	Min	Max	Min	Max	Min	Max	Min	Max
A	0.130	0.170	0.130	0.170	0.130	0.170	0.130	0.170	0.130	0.170	0.130	0.180
A1	0.015	0.040	0.015	0.040	0.015	0.040	0.015	0.040	0.015	0.040	0.015	0.040
B	0.016	0.020	0.016	0.020	0.016	0.020	0.016	0.020	0.016	0.020	0.016	0.020
B1	0.045	0.070	0.045	0.070	0.045	0.070	0.045	0.070	0.045	0.070	0.045	0.060
C	0.009	0.012	0.009	0.012	0.009	0.012	0.009	0.012	0.009	0.012	0.009	0.012
D	0.745	0.765	0.745	0.765	1.020	1.040	1.020	1.040	1.150	1.260	1.345	1.385
E	0.300	0.325	0.300	0.325	0.300	0.325	0.300	0.325	0.300	0.325	0.300	0.325
E1	0.240	0.270	0.240	0.270	0.240	0.270	0.240	0.270	0.250	0.280	0.275	0.295
e	0.090	0.110	0.090	0.110	0.090	0.110	0.090	0.110	0.090	0.110	0.090	0.110
^e A	0.310	0.380	0.310	0.380	0.310	0.380	0.310	0.380	0.310	0.380	0.310	0.380
L	0.120	0.140	0.120	0.140	0.120	0.140	0.120	0.140	0.120	0.140	0.120	0.140
S	0.070	0.080	0.020	0.035	0.060	0.070	0.010	0.020	0.025	0.080	0.020	0.040
N	14		16		20		22		24		28	

7466803 0003416 711

PACKAGING INFORMATION

300-MIL ZIP - Package Code Z

Zig-zag In-line Packages



JEDEC#	MO-072AB		MO-072AC		MO-072AD	
DWG#	PZ20A		PZ24A		PZ28A	
Symbol	Min	Max	Min	Max	Min	Max
A	0.350	0.400	0.350	0.400	0.350	0.400
A1	0.030	0.070	0.030	0.070	0.032	0.055
A2	0.280	0.340	0.320	0.350	0.335	0.345
A3	0.450	0.550	0.450	0.550	0.460	0.550
B	0.015	0.024	0.015	0.024	0.015	0.024
C	0.008	0.012	0.008	0.012	0.008	0.012
D	1.008	1.030	1.200	1.250	1.409	1.424
E	0.100	0.120	0.100	0.120	0.110	0.120
e1	0.050 BSC		0.050 BSC		0.050 BSC	
eA	0.100 BSC		0.100 BSC		0.100 BSC	
L	0.100	0.150	0.100	0.150	0.110	0.150
M	0.035	0.085	0.035	0.085	0.035	0.085
N	20		24		28	
S	0.018	0.032	0.018	0.032	0.025	0.038

Notes:

1. Refer to applicable symbol list.
2. All dimensions are in inches.
3. N is the number of lead positions.
4. Dimensions D and E are to be measured at maximum material condition but do not include mold flash. Allowable mold flash is 0.010 in. per side.

7466803 0003427 5T7