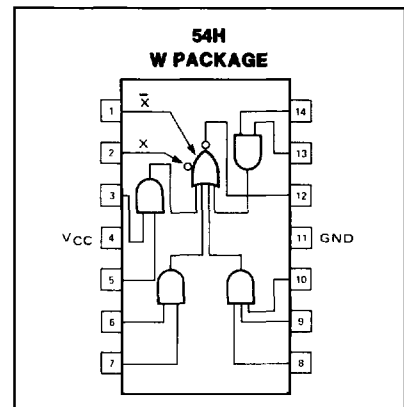
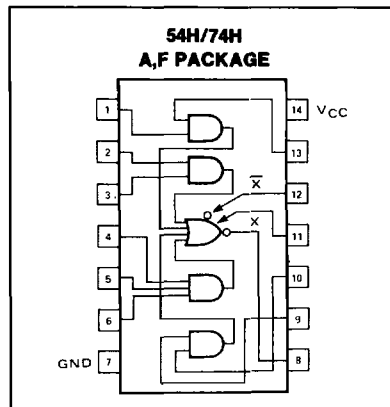
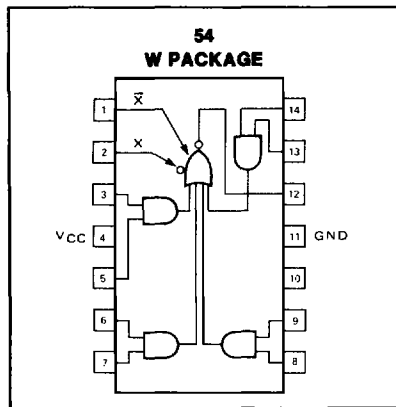
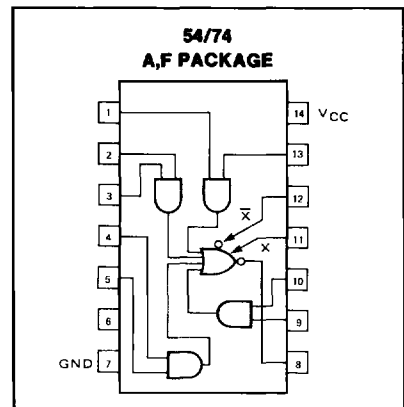
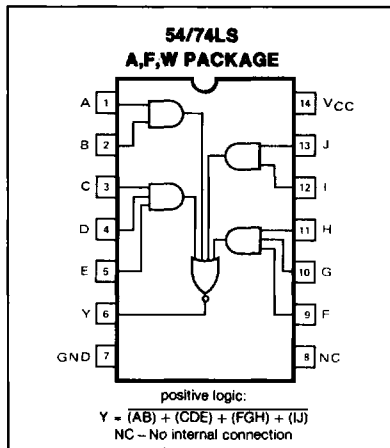


**SPEED/PACKAGE AVAILABILITY**

|          |          |
|----------|----------|
| 54 F,W   | 74 A,F   |
| 54H F,W  | 74H A,F  |
| 54LS F,W | 74LS A,F |

**PIN CONFIGURATION**



**SWITCHING CHARACTERISTICS**  $V_{CC} = 5V, T_A = 25^\circ C$

| TEST CONDITIONS        | 54/74 |     |     | 54/74H |     |     | 54/74LS |      |     | UNIT |
|------------------------|-------|-----|-----|--------|-----|-----|---------|------|-----|------|
|                        | MIN   | TYP | MAX | MIN    | TYP | MAX | MIN     | TYP  | MAX |      |
| Propagation delay time |       |     |     |        |     |     |         |      |     |      |
| $t_{pLH}$ Low-to-high  |       | 13  | 22  |        | 7   | 11  |         | 7    | 20  | ns   |
| $t_{pHL}$ High-to-low  |       | 8   | 15  |        | 6.2 | 11  |         | 11.5 | 20  | ns   |

Load circuit and typical waveforms are shown at the front of section.  
Make no external connection to X and X pins of the 54/7454 and 54/74H54.