

2 to 4 Serial Cell Li-Ion or Li-Polymer Battery Protection IC for Secondary Protection

NO.EA-349-180928

OUTLINE

The R5439K is an overcharge protection IC for 2 to 4 serial cell Li-ion or Li-polymer secondary battery. Internally, the R5439K consists of high-accuracy voltage detection circuit, a delay circuit, and a voltage regulator for operating the external real-time clock. The two-stage shut-down detection circuit can reduce the supply current to the minimum.

FEATURES

- High Voltage Tolerant Process
 - Absolute Maximum Ratings 32 V
- Low Supply Current
 - During Operation, Cell-voltage: 4.15 V, 4-Cells Typ. 4.0 μ A
 - Shutdown 1 Typ. 2.5 μ A
 - Shutdown 2 (Standby) Max. 0.2 μ A
- Output Voltage
 - Built-in Regulator 2.9 V to 3.7 V, 0.1 V step
 - Output Voltage Accuracy $\pm 2\%$
 - COUT Output (CMOS Output, Active-high) Typ. 4.7 V
- High-accuracy Voltage Detection
 - Overcharge Detector Threshold ($V_{DET1n}^{(1)}$) 4.20 V to 4.60 V, in 5 mV step
 - Overcharge Detector Threshold Accuracy ± 0.02 V ($T_a = 25^\circ\text{C}$)
 ± 0.025 V ($0^\circ\text{C} < T_a < 60^\circ\text{C}$)
 - Overcharge Release Voltage ($V_{REL1n}^{(1)}$) $V_{DET1n} - 0\text{V}$ to $V_{DET1n} - 0.4\text{V}$, in 50 mV step
 Min. 4.15V
 - Overcharge Detection Delay Time 2-, 4-, or 6-sec with Delay Time Shortening Function⁽²⁾
 - Overcharge Release Voltage Condition Voltage Release Type
- Shutdown Functions
 - [Shutdown 1]
 - Shutdown 1 Detector Threshold Typ. 3.8 V, ± 0.3 V
 - Shutdown 1 Detection Delay Time none
 - [Shutdown 2]
 - Shutdown 2 Detector Threshold ($V_{SHT2n}^{(1)}$) 2.3 V to 2.8 V, 100 mV step
 - Shutdown 2 Detector Threshold Accuracy ± 0.05 V
 - Shutdown 2 Release Voltage $V_{SHT2n} + 0.2$ V
 - Shutdown 2 Detection Delay Time 2-, 4-, or 6-sec
- 2 to 4 Cells Selectable Battery Protection
- Timer Reset Delay Function
- Compact Package
 - DFN (PLP) 2020-8 2.0 mm x 2.0 mm

⁽¹⁾ $V_{DET1n}, V_{REL1n}, V_{SHT2n}$: $n = 1, 2, 3, 4$

⁽²⁾ The delay time can be reduced down to approx. 1/80 by applying a 4 V \pm 0.2 V to the VDD – VC1 pins.

R5439K

NO.EA-349-180928

APPLICATIONS

- Li-Ion or Li-Polymer Battery Protection

SELECTION GUIDE

The overcharge and the delay time are user-selectable options.

Selection Guide

Product Name	Package	Quantity per Reel	Pb Free	Halogen Free
R5439Kxxx\$*-TR	DFN (PLP) 2020-8	5,000 pcs	Yes	Yes

xxx: Specify the combination of the overcharge detector threshold (V_{DET1n}), the overcharge release voltage (V_{REL1n}), the shutdown 2 detector threshold (V_{SHT2n}) and the voltage regulator output voltage (V_{ROUT})⁽¹⁾.

$V_{DET1n}^{(2)}$: 4.2 V to 4.6 V in 5 mV step

$V_{REL1n}^{(2)}$: $V_{DET1n} - 0$ V to $V_{DET1n} - 0.4$ V in 50 mV step, Min. 4.15 V

$V_{SHT2n}^{(2)}$: 2.3 V to 2.8 V in 100 mV step

V_{ROUT} : 2.9 V to 3.7 V in 0.1 V step

\$: Specify the combination of the overcharge detection delay time (t_{VDET1}), the shutdown 2 detection delay time (t_{VSHT2}) and the overcharge release delay time (t_{VREL1}) and the overcharge detection timer reset delay time (t_{VTR}). Refer to *Delay Time Code Table* for details.

Delay Time Code Table

Code	t_{VDET1} (s)	t_{VSHT2} (s)	t_{VREL1} (ms)	t_{VTR} (ms)
A	2	2	16	6
B	4	2	16	6
C	6	2	16	6
D	2	4	16	6
E	4	4	16	6
F	6	4	16	6
G	2	6	16	6
H	4	6	16	6
J	6	6	16	6
K	1.5	4.5	12	4.5

*: Specify the timer reset delay time option. Refer to *Timer Reset Delay Time Table* for details.

Timer Reset Delay Time Table

Code	Timer Reset Delay Time
A	No
B	Yes

⁽¹⁾ Refer to *Product Code Table* for details.

⁽²⁾ V_{DET1n} , V_{REL1n} , V_{SHT2n} : n = 1, 2, 3, 4

● Product Code List

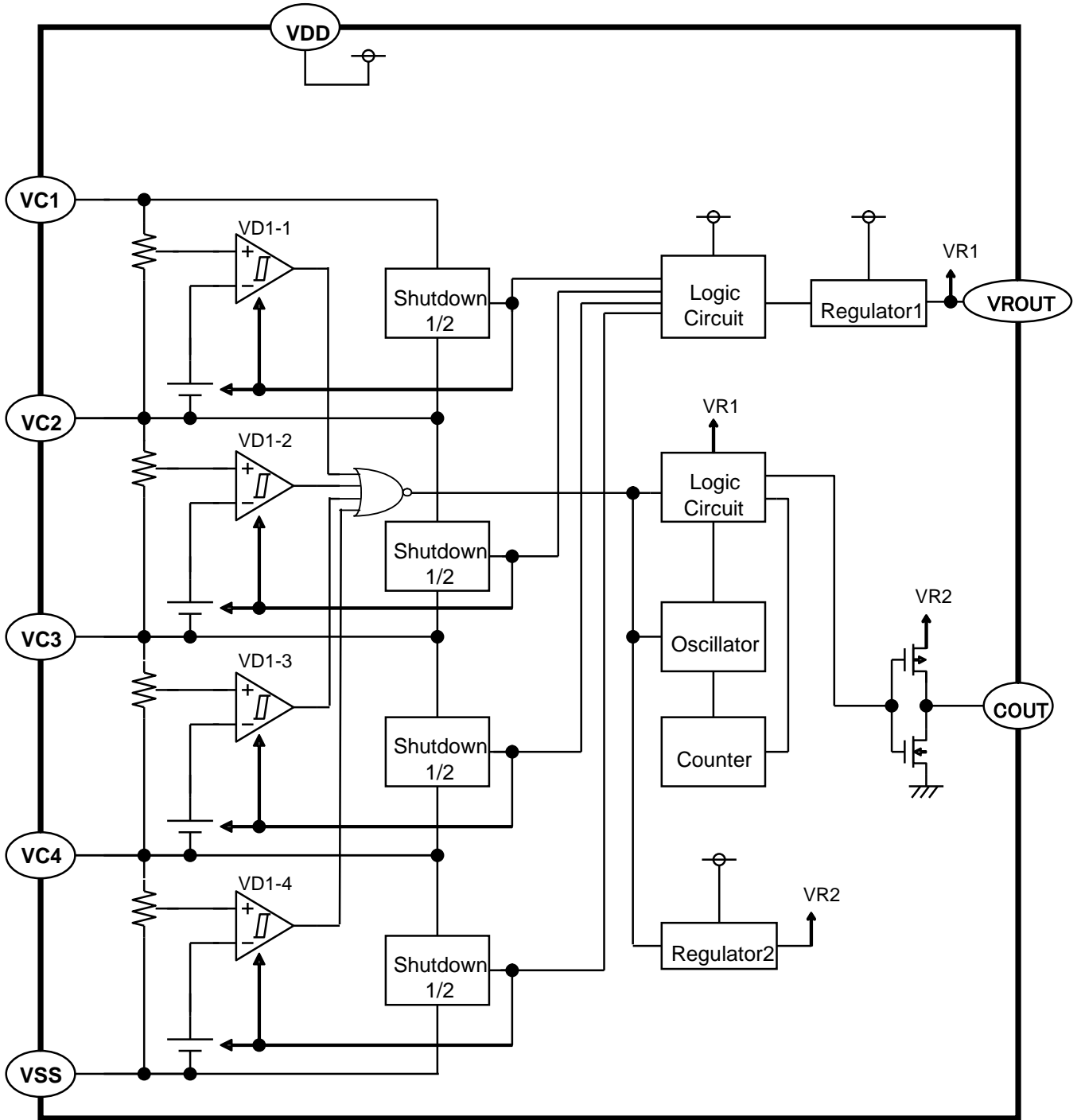
The product code is determined by the combination of the set output voltage (overcharge detector threshold: V_{DET1n} , overcharge release voltage: V_{REL1n} , shutdown 2 detector threshold: V_{SHT2n} , voltage regulator output voltage: V_{ROUT}) and the delay time (overcharge detection delay time: t_{VDET1} , shutdown 2 detection delay time: t_{VSHT2} , overcharge release delay time: t_{VREL1} , overcharge detection timer reset delay time: t_{VTR}) and the timer reset delay time option (t_{VTR}).

Product Code Table

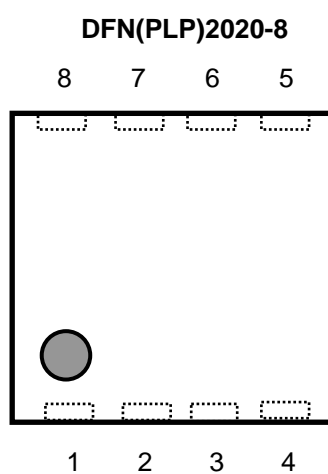
Product Name	Set Output Voltage (V)				Delay Time				Timer Reset Delay Time (Yes/No ⁽¹⁾)
	V_{DET1n}	V_{REL1n}	V_{SHT2n}	V_{ROUT}	t_{VDET1} (s)	t_{VSHT2} (s)	t_{VREL1} (ms)	t_{VTR} (ms)	
R5439K213HA	4.450	4.250	2.500	2.900	4	6	16	—	No
R5439K301GA	4.450	4.150	2.500	3.300	2	6	16	—	No
R5439K301HA	4.450	4.150	2.500	3.300	4	6	16	—	No
R5439K309GA	4.300	4.150	2.500	3.300	2	6	16	—	No
R5439K309HA	4.300	4.150	2.500	3.300	4	6	16	—	No
R5439K310GA	4.350	4.150	2.500	3.300	2	6	16	—	No
R5439K310HA	4.350	4.150	2.500	3.300	4	6	16	—	No
R5439K310KA	4.350	4.150	2.500	3.300	1.5	4.5	12	—	No
R5439K310JB	4.350	4.150	2.500	3.300	6	6	16	6	Yes
R5439K311GA	4.400	4.150	2.500	3.300	2	6	16	—	No
R5439K311HA	4.400	4.150	2.500	3.300	4	6	16	—	No
R5439K312GA	4.550	4.150	2.500	3.300	2	6	16	—	No
R5439K312HA	4.550	4.150	2.500	3.300	4	6	16	—	No
R5439K313JB	4.450	4.250	2.500	3.300	6	6	16	6	Yes
R5439K313KA	4.450	4.250	2.500	3.300	1.5	4.5	12	—	No
R5439K314JB	4.500	4.300	2.500	3.300	6	6	16	6	Yes
R5439K314HA	4.500	4.300	2.500	3.300	4	6	16	—	No
R5439K314KA	4.500	4.300	2.500	3.300	1.5	4.5	12	—	No
R5439K316JB	4.400	4.200	2.500	3.300	6	6	16	6	Yes
R5439K316KA	4.400	4.200	2.500	3.300	1.5	4.5	12	—	No
R5439K317JB	4.500	4.200	2.500	3.300	6	6	16	6	Yes
R5439K318KA	4.325	4.150	2.500	3.300	1.5	4.5	12	—	No
R5439K319JB	4.550	4.350	2.500	3.300	6	6	16	6	Yes
R5439K320KA	4.500	4.300	2.500	3.100	1.5	4.5	12	—	No
R5439K321KA	4.500	4.300	2.500	3.200	1.5	4.5	12	—	No
R5439K323JB	4.550	4.250	2.500	3.000	6	6	16	6	Yes
R5439K324JB	4.500	4.200	2.500	3.000	6	6	16	6	Yes
R5439K325JB	4.500	4.300	2.800	3.300	6	6	16	6	Yes
R5439K326JB	4.220	4.150	2.500	3.300	6	6	16	6	Yes
R5439K327JB	4.600	4.300	2.500	3.000	6	6	16	6	Yes

⁽¹⁾ "No" means the timer reset delay time option is absence.

BLOCK DIAGRAM



PIN DESCRIPTIONS



DFN(PLP)2020-8 Pin Description

Pin No.	Symbol	Description
1	VDD	Power Supply Pin
2	VC1	CELL1 Plus Pin
3	VC2	CELL2 Plus Pin
4	VC3	CELL3 Plus Pin
5	VC4	CELL4 Plus Pin
6	VSS	IC Ground Pin
7	COUT	Overcharge Detection Output Pin
8	VROUT	Voltage Regulator Output Pin

R5439K

NO.EA-349-180928

ABSOLUTE MAXIMUM RATINGS

Absolute Maximum Ratings

(Ta = 25°C, V_{SS} = 0 V)

Symbol	Item	Rating	Unit
V _{DD}	Power Supply Voltage	V _{C1} - 0.3 to V _{C1} + 6.5 V _{C1} - 0.3 to 32	V
V _{C1}	CELL1 Plus Pin Input Voltage	V _{C2} - 0.3 to V _{C2} + 6.5	V
V _{C2}	CELL2 Plus Pin Input Voltage	V _{C3} - 0.3 to V _{C3} + 6.5	V
V _{C3}	CELL3 Plus Pin Input Voltage	V _{C4} - 0.3 to V _{C4} + 6.5	V
V _{C4}	CELL4 Plus Pin Input Voltage	-0.3 to 6.5	V
V _{COUT}	COUT Pin Output Voltage	-0.3 to V _{OH1} + 0.3	V
V _{ROUT}	VR Output Voltage	-0.3 to 6.5	V
I _{OUT}	VR Output Current	3	mA
P _D	Power Dissipation ⁽¹⁾ (Standard Land Pattern)	880	mW
T _J	Junction Temperature Range	-40 to 125	°C
T _{stg}	Storage Temperature Range	-55 to 125	°C

ABSOLUTE MAXIMUM RATINGS

Electronic and mechanical stress momentarily exceeded absolute maximum ratings may cause the permanent damages and may degrade the life time and safety for both device and system using the device in the field. The functional operation at or over these absolute maximum ratings is not assured.

RECOMMENDED OPERATING CONDITION

Symbol	Item	Rating	Unit
V _{DD}	Operating Input Voltage	4.0 to 25 / V _{C1} + 5.0	V
V _{C1}	CELL1 Plus Pin Input Voltage	V _{C2} + 1.2 to V _{C2} + 5.0	V
	(in 2-/3-cell mode)	V _{C2} + 0.0	
V _{C2}	CELL2 Plus Pin Input Voltage	V _{C3} + 1.2 to V _{C3} + 5.0	V
	(in 2-cell mode)	V _{C3} + 0.0	
V _{C3}	CELL3 Plus Pin Input Voltage	V _{C4} + 1.2 to V _{C4} + 5.0	V
V _{C4}	CELL4 Plus Pin Input Voltage	V _{SS} + 1.2 to V _{SS} + 5.0	V
T _a	Operating Temperature Range	-40 to 85	°C

RECOMMENDED OPERATING CONDITIONS

All of electronic equipment should be designed that the mounted semiconductor devices operate within the recommended operating conditions. The semiconductor devices cannot operate normally over the recommended operating conditions, even if when they are used over such conditions by momentary electronic noise or surge. And the semiconductor devices may receive serious damage when they continue to operate over the recommended operating conditions.

⁽¹⁾ Refer to *POWER DISSIPATION* in *SUPPLEMENTARY ITEMS* for detail information.

ELECTRICAL CHARACTERISTICS

$V_{CELLn} = CELLn$ (Ex. V_{CELL1} is a voltage difference between VC1 and VC2)

$n = 1, 2, 3, 4$, unless otherwise noted

The specifications surrounded by are guaranteed by Design Engineering at $0^{\circ}\text{C} \leq T_a \leq 60^{\circ}\text{C}$.

R5439K Electrical Characteristics

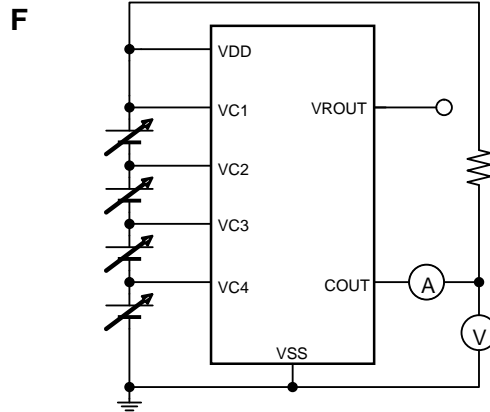
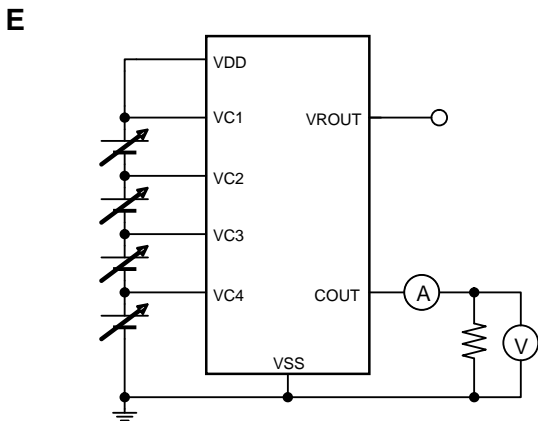
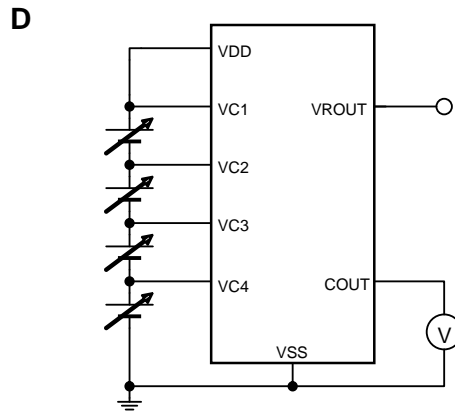
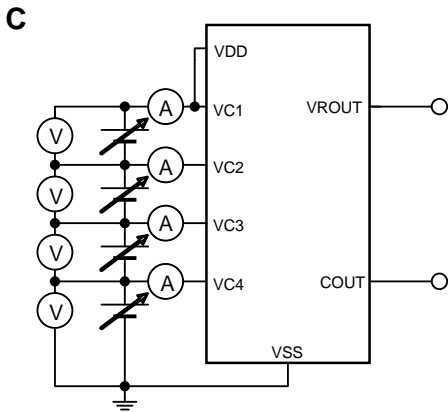
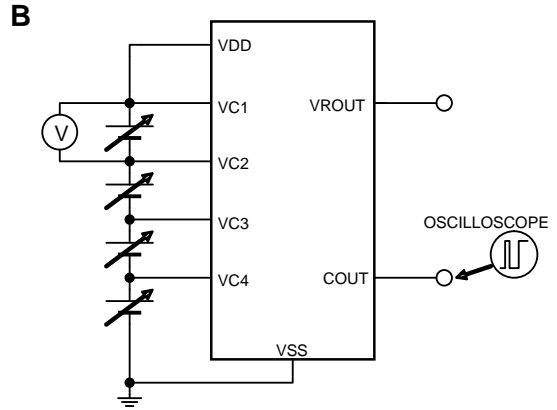
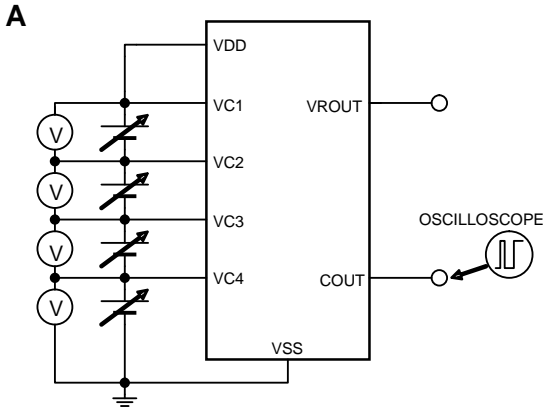
($T_a = 25^{\circ}\text{C}$)

Symbol	Item	Conditions	Min.	Typ.	Max.	Unit	Circuit (1)
V_{DET1n}	CELLn Overcharge Detection Threshold	It detects rising edge of supply voltage.	V_{DET1n} -0.020V	V_{DET1n}	V_{DET1n} +0.020V	V	A
			 -0.025V		 +0.025V		
V_{REL1n}	CELLn Overcharge Release Voltage	It detects falling edge of supply voltage.	V_{REL1n} -0.050V	V_{REL1n}	V_{REL1n} +0.050V	V	A
t_{VDET1}	Overcharge Detection Delay Time	$V_{CELLn} = 4.15\text{ V}$ ($n = 2, 3, 4$) $V_{CELL1} = 4.15\text{ V} \rightarrow 4.7\text{ V}$	t_{VDET1} x 0.8	t_{VDET1}	t_{VDET1} x 1.2	s	B
t_{VREL1}	Overcharge Release Delay Time	$V_{CELLn} = 3.9\text{ V}$ ($n = 2, 3, 4$) $V_{CELL1} = 4.7\text{ V} \rightarrow 3.9\text{ V}$	t_{VREL1} x 0.8	t_{VREL1}	t_{VREL1} x 1.2	ms	B
t_{VTR}	Overcharge Detection Timer Reset Delay Time (For the Timer Reset Delay function type only)	$V_{CELLn} = V_{DET1n} + 0.05\text{ V}$ $\rightarrow V_{REL1n} - 0.10\text{ V}$ $\rightarrow V_{DET1n} + 0.05\text{ V}$ $\rightarrow V_{REL1n} - 0.10\text{ V}$	2	6	10	ms	B
			1.5 ⁽²⁾	4.5 ⁽²⁾	7.5 ⁽²⁾		
V_{SHT1n}	Shutdown 1 Detector Threshold	It detects falling edge of supply voltage.	3.5	3.8	4.1	V	C
V_{SHT2n}	Shutdown 2 Detector Threshold	It detects falling edge of supply voltage.	V_{SHT2n} -0.050V	V_{SHT2n}	V_{SHT2n} +0.050V	V	I
V_{REL2n}	Shutdown 2 Release Voltage	It detects rising edge of supply voltage.	V_{REL2n} -0.100V	V_{REL2n} (V_{SHT2n} +0.2V)	V_{REL2n} +0.100V	V	I
t_{VSHT2}	Shutdown 2 Detector Delay Time	$V_{CELLn} = V_{SHT2n} - 0.2\text{ V}$ ($n = 2, 3, 4$) $V_{CELL1} = 3.2\text{ V} \rightarrow V_{SHT2n} - 0.2\text{ V}$	t_{VSHT2} x 0.8	t_{VSHT2}	t_{VSHT2} x 1.2	s	J
V_{OL}	C _{OUT} Nch ON Voltage	$I_{OL} = 50\text{ }\mu\text{A}$, $V_{CELLn} = 4.15\text{ V}$ ($n = 1, 2, 3, 4$)		0.1	0.5	V	F
V_{OH1}	C _{OUT} Pch ON Voltage 1	$I_{OH} = 0\text{ }\mu\text{A}$, $V_{CELLn} = 4.7\text{ V}$	4.0	4.7	5.4	V	D
V_{OH2}	C _{OUT} Pch ON Voltage 2	$I_{OH} = -50\text{ }\mu\text{A}$, $V_{CELLn} = 4.7\text{ V}$	V_{OH1} -0.5V	V_{OH1} -0.1V		V	E
I_{SHT1}	Shutdown 1 Current	$V_{CELLn} = 3.1\text{ V}$		2.5	5.75	μA	G
I_{SHT2}	Shutdown 2 Current	$V_{CELLn} = 2.0\text{ V}$			0.2	μA	G
I_{SS}	Supply Current	$V_{CELLn} = 4.15\text{ V}$		4.0	7.5	μA	G
I_{VDD}	VDD Pin Current	$V_{CELLn} = 4.15\text{ V}$		2.4	5.2	μA	K
I_{VC1}	VC1 Pin Current	$V_{CELLn} = 4.15\text{ V}$		1.6	2.8	μA	K
I_{VC2}	VC2 Pin Current	$V_{CELLn} = 4.15\text{ V}$	-0.3		0.3	μA	K
I_{VC3}	VC3 Pin Current	$V_{CELLn} = 4.15\text{ V}$	-0.3		0.3	μA	K
I_{VC4}	VC4 Pin Current	$V_{CELLn} = 4.15\text{ V}$	-0.3		0.3	μA	K
V_{ROUT}	VR Output Voltage	$V_{SHT2n} \times 2 + 0.1\text{ V} \leq V_{DD} \leq 25\text{ V}$, $I_{OUT} = 10\text{ }\mu\text{A}$	V_{ROUT} x 0.98	V_{ROUT}	V_{ROUT} x 1.02	V	H
I_{OUT}	VR Output Current	$V_{SHT2n} \times 2 + 0.1\text{ V} \leq V_{DD} \leq 25\text{ V}$			2	mA	H

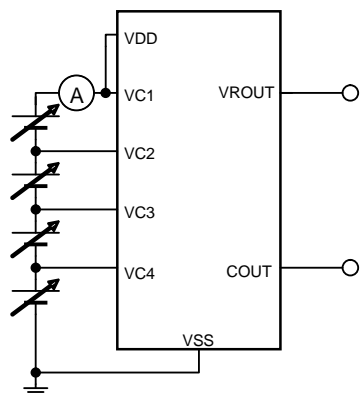
⁽¹⁾ Refer to TEST CIRCUITS for detail information.

⁽²⁾ The delay time code is K only.

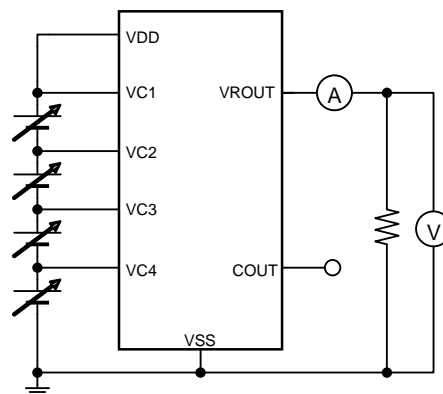
TEST CIRCUITS



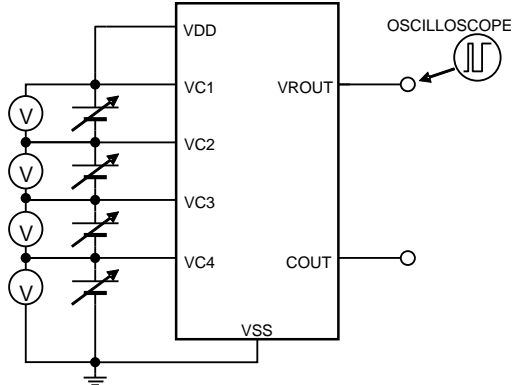
G



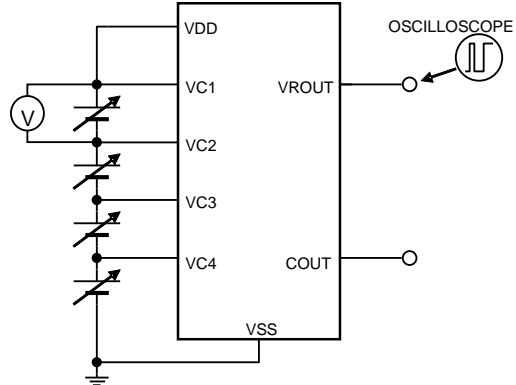
H



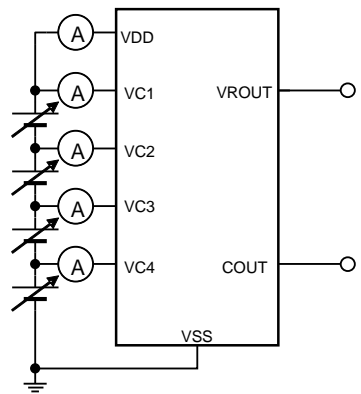
I



J



K



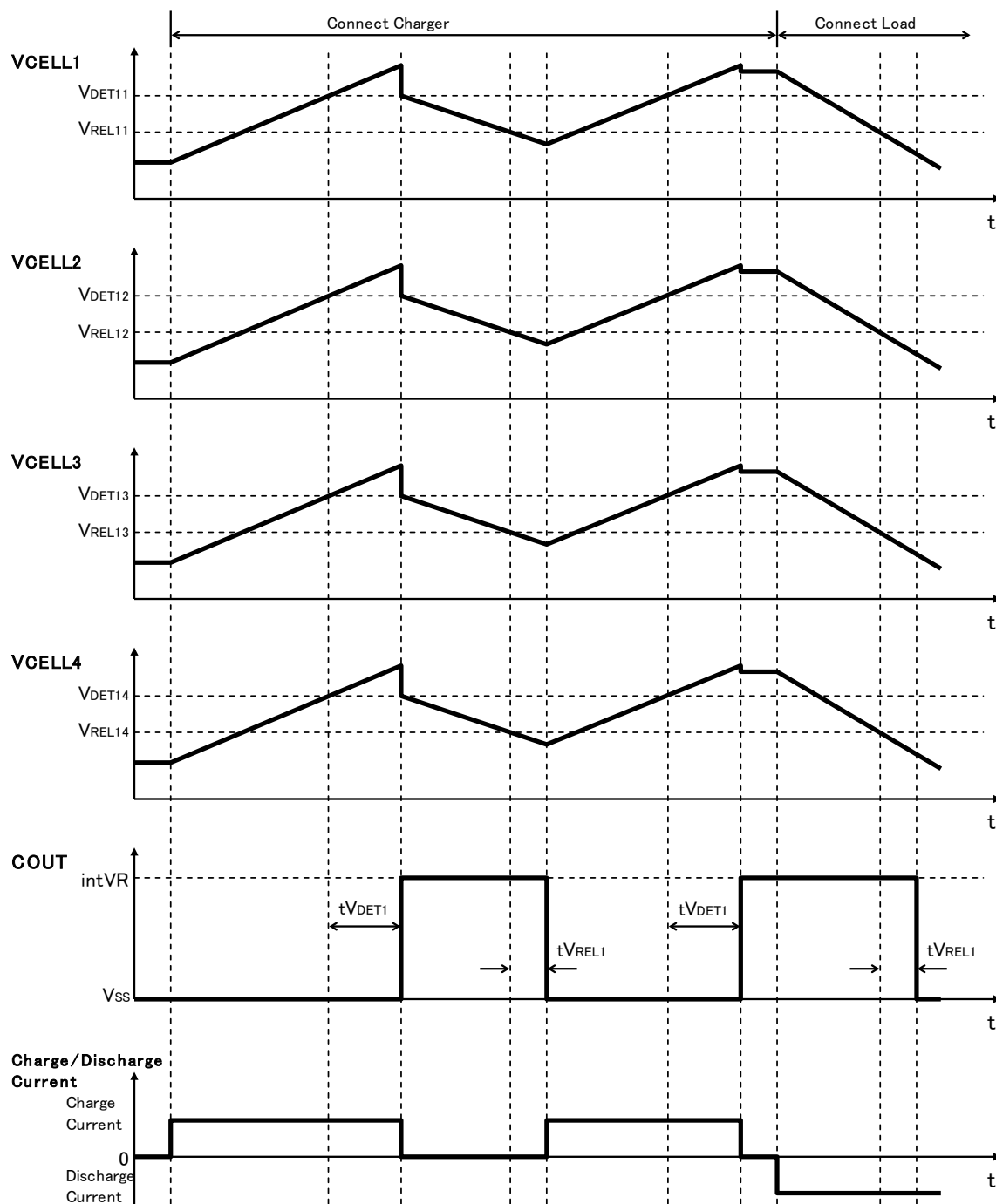
THEORY OF OPERATION

Overcharge Detection Circuit, VD1-n (n = 1, 2, 3, 4)

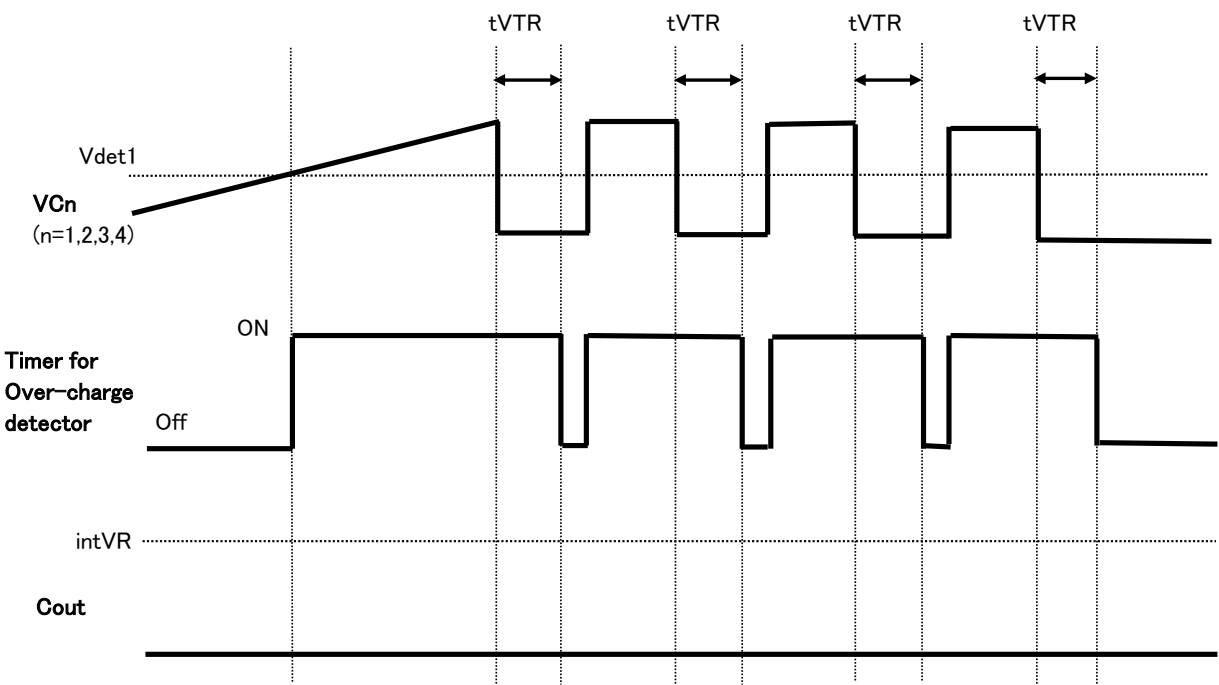
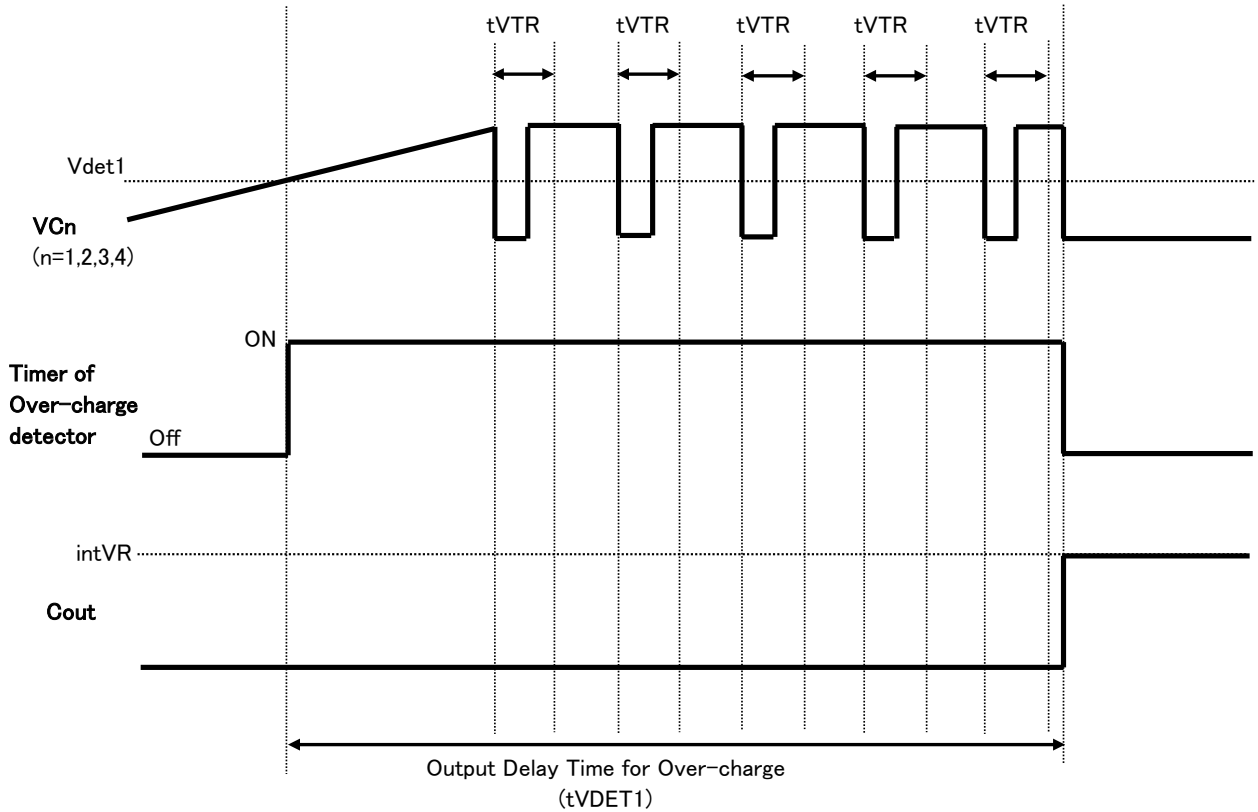
While the cells are charged, the voltage between VC1 pin and VC2 pin (Cell-1 voltage), the voltage between VC2 pin and VC3 pin (Cell-2 voltage), and the voltage between VC3 pin and VC4 pin (Cell-3 voltage), and the voltage between VC4 pin and VSS pin (Cell-4 voltage) are supervised. If at least one of the cells' voltage becomes equal or more than the over-charge detector threshold, the over-charge is detected, and an external charge control Nch. FET turns on with COUT pin being at "H" level and by cutting a fuse on the charger path, and charge stops.

To reset the over-charge and make the COUT pin level to "L" again after detecting over-charge, in such conditions that a time when all the cells' voltages are down to a level lower than over-charge released voltage. Internal fixed output delay times for over-charge detection and release from over-charge exist. Even if one of voltage of the cells keeps its level more than the over-charge detector threshold, and output delay time passes, over-charge voltage is detected. In the case of Timer Reset Delay available version, if all the cell voltages become lower than the over-charge detector threshold within the output delay time of over-charge detector by noise or other reasons, the time period is less than over-charge detector timer reset output delay time, the over-charge delay time is accumulated and maintained, and the accumulated delay time reaches the output delay time of over-charge, the over-charge is detected. After detecting over-charge, even if all the cell voltages become equal or less than the released voltage from over-charge, if at least one of the cells voltage becomes higher than the released voltage from over-charge within the output delay time of the release from over-charge, then over-charge is not released.

The output type of the COUT pin is CMOS output between VSS and the built-in regulator, and "H" level of COUT pin is the output voltage of the built-in regulator.



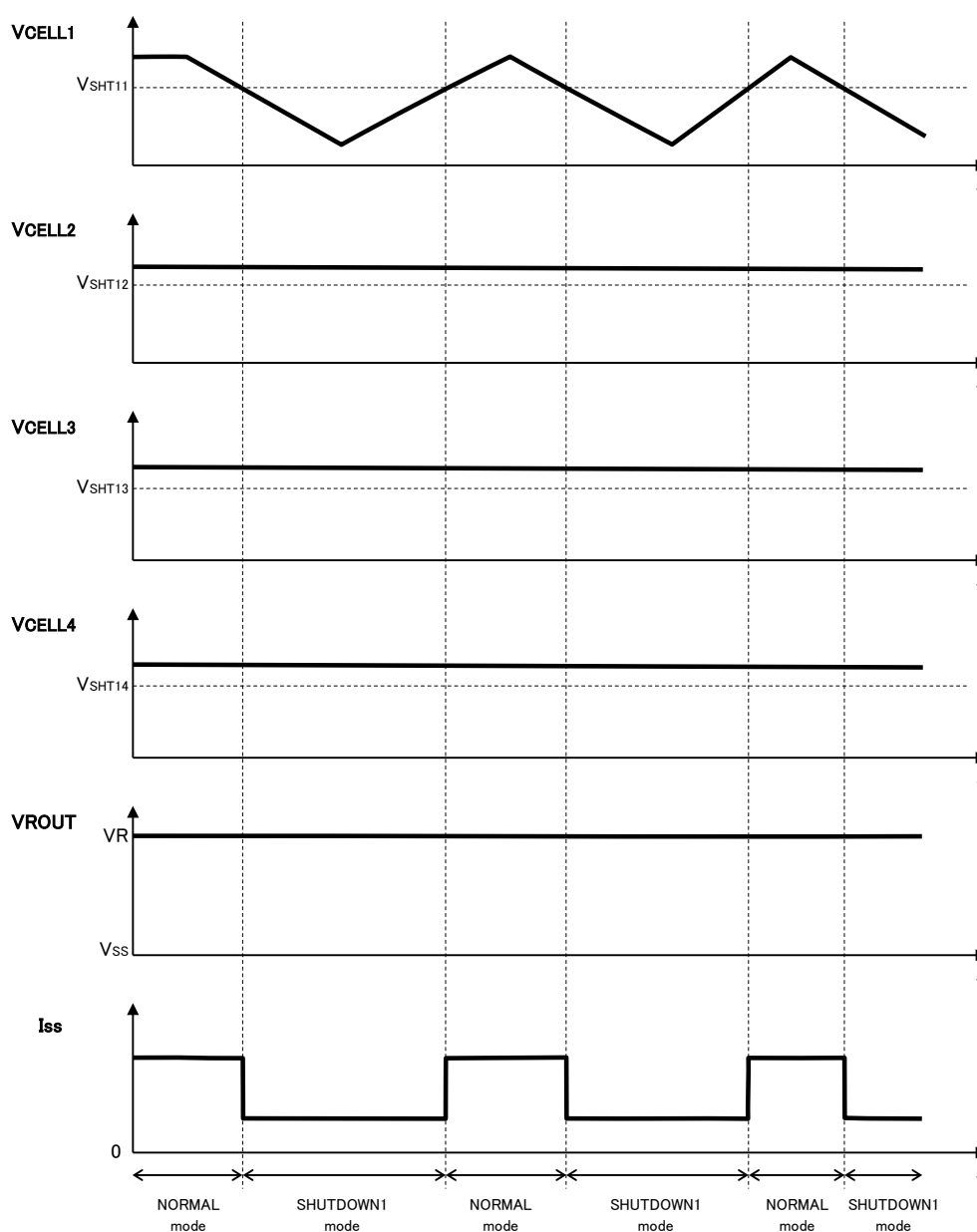
Overcharge Operation Timing Chart



Overcharge Operation Timing Chart (Timer Reset Delay Time Function included)

Shutdown Function 1

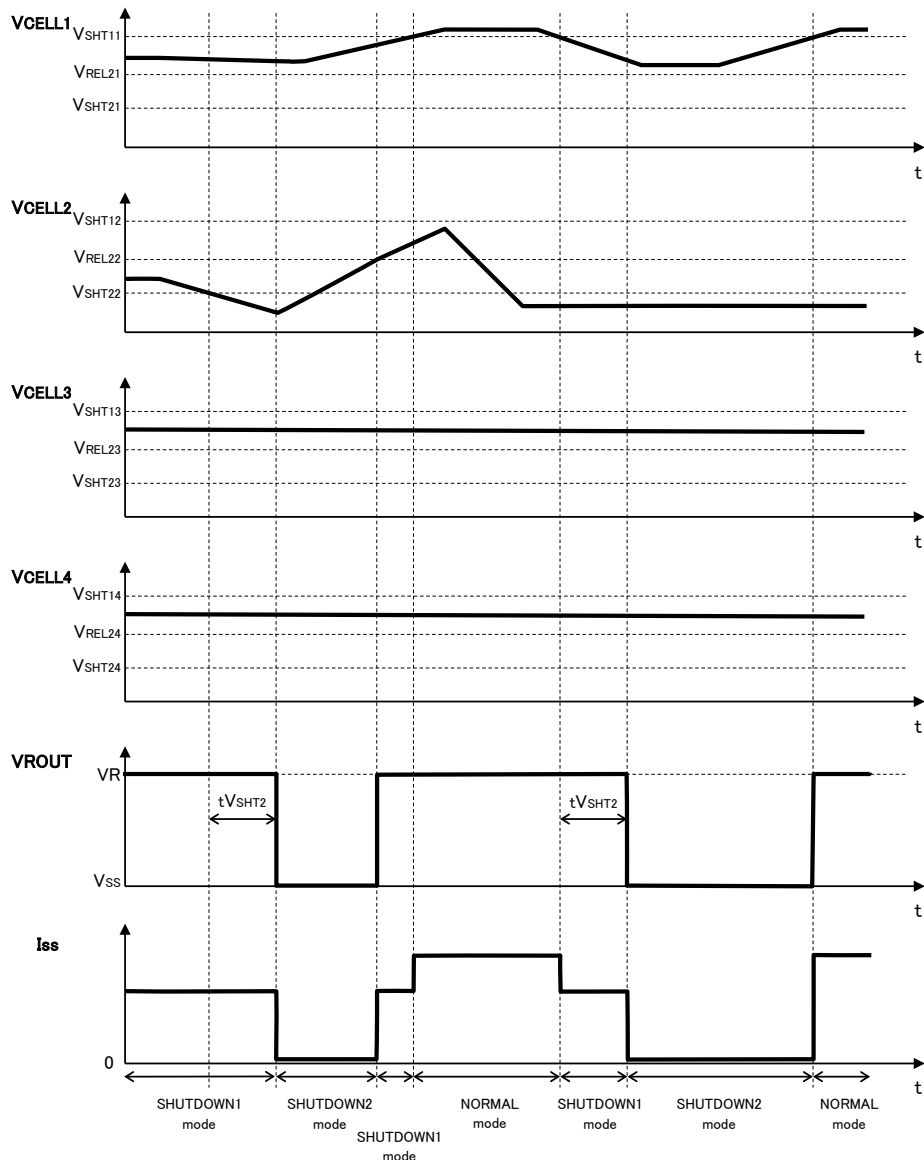
The voltage between VC1 pin and VC2 pin (Cell-1 voltage), the voltage between VC2 pin and VC3 pin (Cell-2 voltage), the voltage between VC3 pin and VC4 pin (Cell-3 voltage), and the voltage between VC4 pin and VSS pin (Cell-4 voltage) are supervised. If the cell voltage becomes equal or less than the shutdown detector threshold₁, the over-charge detector of the cell is halted, as a result, the consumption current of IC itself (Shutdown₁ current) is extremely reduced. In shutdown mode₁, the operation of regulator does not stop.



Shutdown Function 1 Operation Timing Chart

Shutdown Function 2

The voltage between VC1 pin and VC2 pin (Cell-1 voltage), the voltage between VC2 pin and VC3 pin (Cell-2 voltage), the voltage between VC3 pin and VC4 pin (Cell-3 voltage), and the voltage between VC4 pin and VSS pin (Cell-4 voltage) are supervised. If the cell voltage becomes equal or less than the shutdown detector threshold2 and all the cells voltages are equal or less than the shutdown detector threshold1, all the circuits are halted and shut down, as a result, the consumption current of IC itself (Shutdown2 current) is extremely reduced. In shutdown mode2, the operation of regulator stops. When all the cells voltages become higher than the shutdown2 release voltage, VR output becomes H.



Shutdown Function 2 Operation Timing Chart

Delay Shortening (DS) Function

Applying a voltage of $4\text{ V} \pm 0.2\text{ V}$ between VDD and VC1 can shorten the overcharge detection delay time (t_{VDET1}) and the shutdown 2 detection delay time (t_{VSHT2}) into approximately 1/80, likewise, the overcharge release delay time (t_{VREL1}) into approximately 1/60.

Voltage Regulator Function

To drive the external RTC, the voltage regulator function is included in the R5439K.

2-cell/ 3-cell Protection Alternative

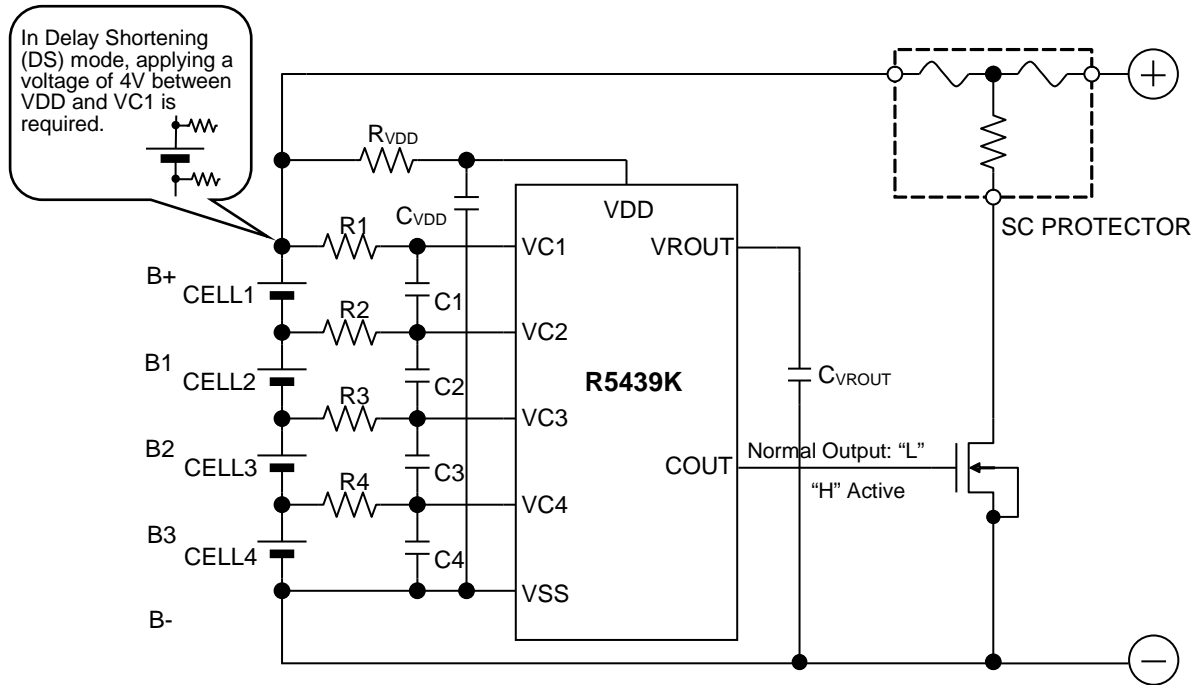
By short-circuiting between cells, the R5439K can meet as a protection IC for 2 or 3 cells placed in series. The following table indicates pins to short-circuit to VC1 depending on protected cells.

Protected Cells	Pins to short-circuit to VC1
2-cell protection	VC2 and VC3 pins
3-cell protection	VC2 pin

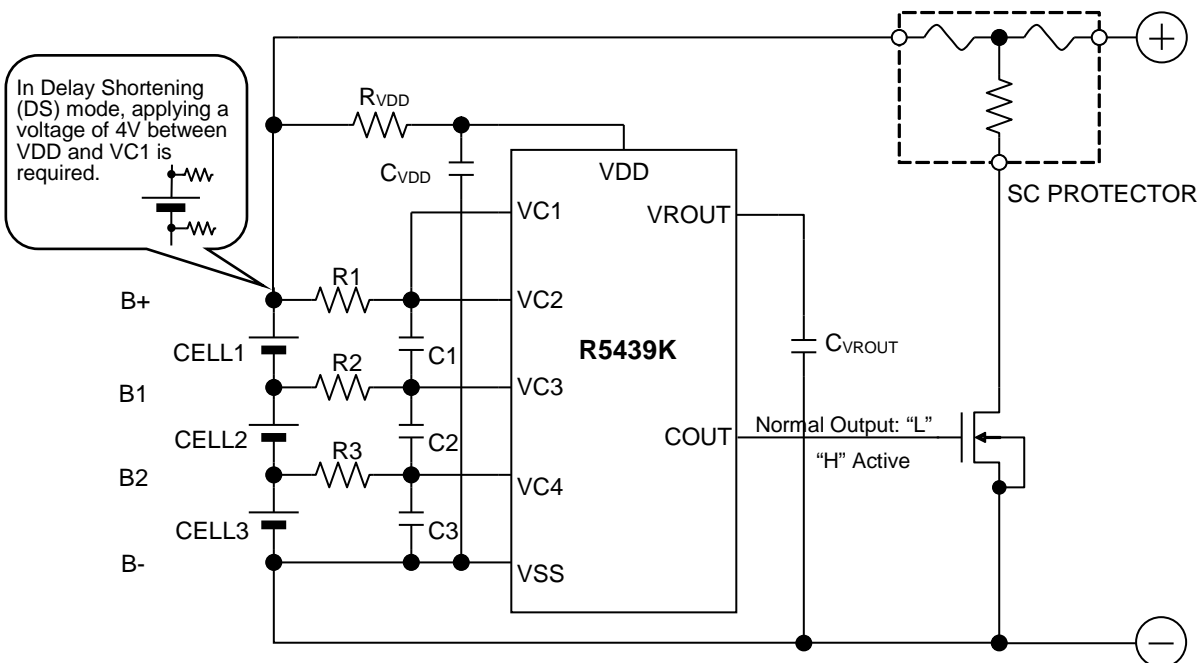
The 2- or 3-cell protection can only provide by the above connections.

APPLICATION INFORMATION

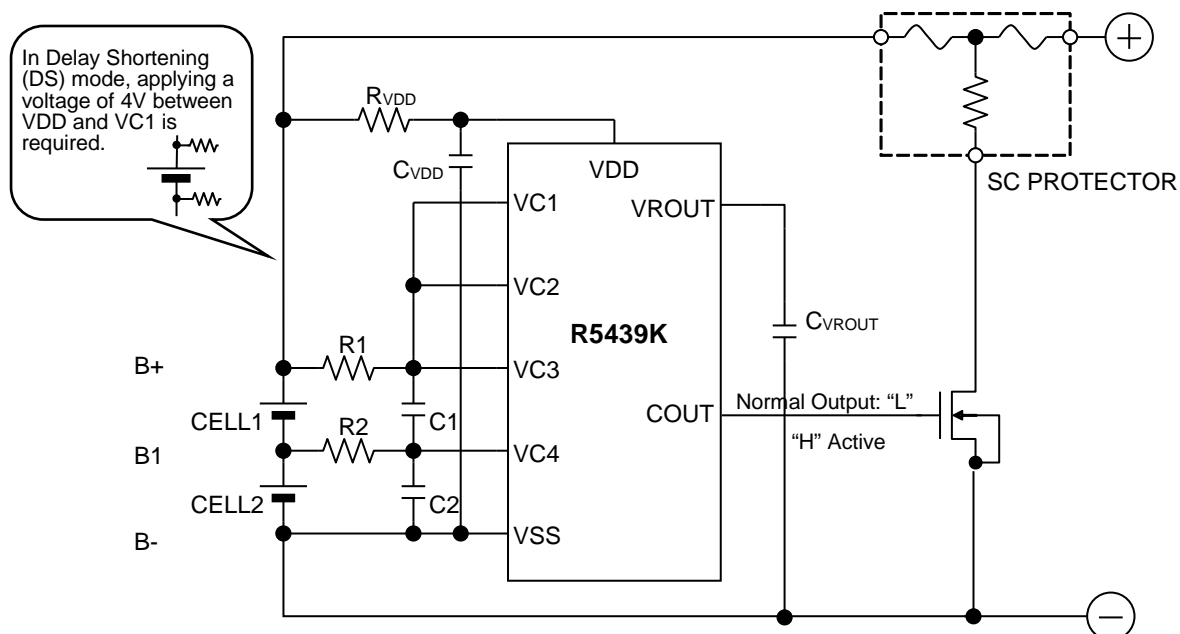
Typical Application Circuits in Normal Mode (CMOS Output, Active-high)



Note: Connect the pins in the following order: B-, B3, B2, B1, and B+.
4-cell Protection Circuit



Note: The 3-cell protection circuit requires to connect between VC1 and VC2. Even if shorting other pin except them, the circuit does not work as 3-cell protection. Connect the pins in the following order: B-, B2, B1, and B+.
3-cell Protection Circuit



Note: The 2-cell protection circuit requires to connect among VC1, VC2, and VC3. Even if shorting other pin except them, the circuit does not work as 2-cell protection. Connect the pins in the following order: B-, B1, and B+.

2-cell Protection Circuit

External Components

Symbol	Typ.	Unit	Range
R _{VDD}	100	Ω	100 to 1000
R1	1000	Ω	330 to 1000
R2	1000	Ω	330 to 1000
R3	1000	Ω	330 to 1000
R4	1000	Ω	330 to 1000
C _{VDD}	0.1	μF	0.01 to 1
C1	0.1	μF	0.01 to 1
C2	0.1	μF	0.01 to 1
C3	0.1	μF	0.01 to 1
C4	0.1	μF	0.01 to 1
C _{VROUT}	0.1	μF	0.1

Technical Notes on the Selection Components

- The voltage fluctuation is stabilized with R_{VDD} and C_{VDD} . If a small R_{VDD} is set, in the case of the large transient may happen to the cell voltage, by the flowing current, the IC may be unstable. If a large R_{VDD} is set, by the consumption current of the IC itself, the voltage difference between VDD pin and VC1 pin is generated, and unexpected operation may result. Therefore, the appropriate value range of R_{VDD} is from 100 Ω to 1 k Ω . To make a stable operation of the IC, the appropriate value range of C_{VDD} is from 0.01 μ F to 1.0 μ F.
- The voltage fluctuation is stabilized with R1 to R4 and C1 to C4. If a R1 to R4 is too large, by the conduction current at detection, the detector threshold may shift higher. Therefore, the appropriate value range of R1 to R4 is equal or less than 1 k Ω . To make a stable operation of the IC, the appropriate value range of C1 to C4 is 0.01 μ F or more.
- The typical application circuit diagrams are just examples. This circuit performance largely depends on the PCB layout and external components. In the actual application, fully evaluation is necessary.
- Over-voltage and the over current beyond the absolute maximum rating should not be forced to the protection IC and external components. During the time until the fuse is open after detecting over-charge, a large current may flow through the FET. Select an FET with large enough current capacity in order to endure the large current.
- Ricoh cannot assume responsibility for use of any circuitry other than circuitry entirely embodied in a Ricoh product. If technical notes are not complied with the circuit which is used Ricoh product, Ricoh is not responsible for any damages and any accidents.
- To connect the SC protector, connect the SC protector to the cell must be the last.

Contact Information for Inquiries regarding SC PROTECTOR

Dexerials Corporation (Sony Chemical & Information Device Company Ltd.)

Gate-city Osaki East Tower 8F, 1-11-2 Osaki, Shinagawa, Tokyo, 141-0032

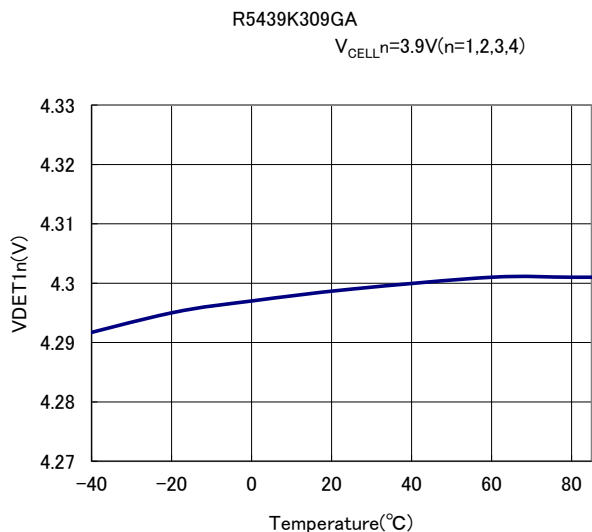
TEL: 03-5435-3946

URL: <http://www.dexerials.jp>

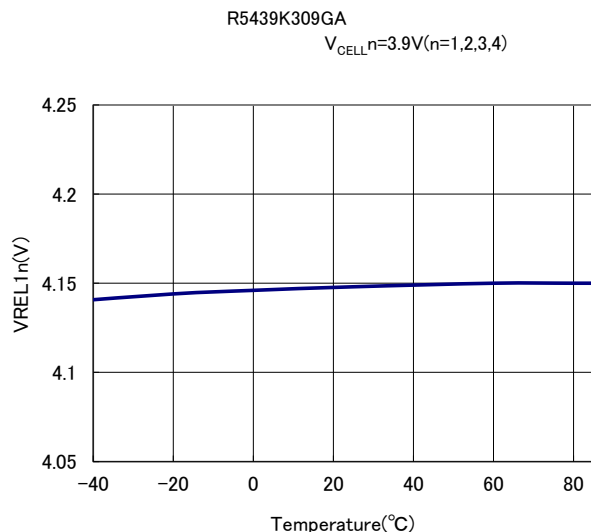
TYPICAL CHARACTERISTICS (vs. Ambient Temperature)

Note: Typical Characteristics are intended to be used as reference data; they are not guaranteed.

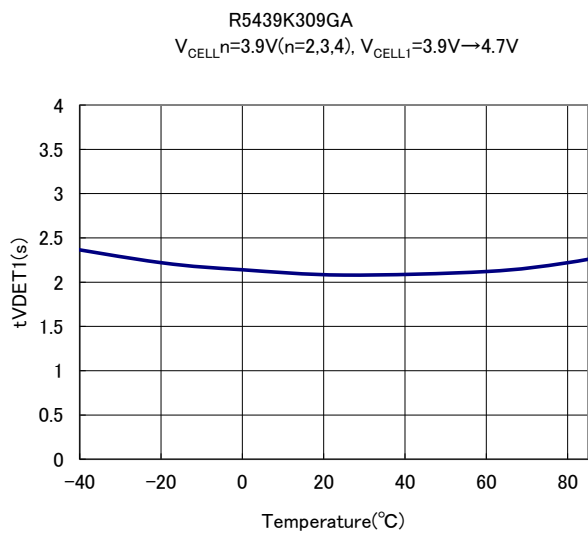
1) CELLn Overcharge Detector Threshold



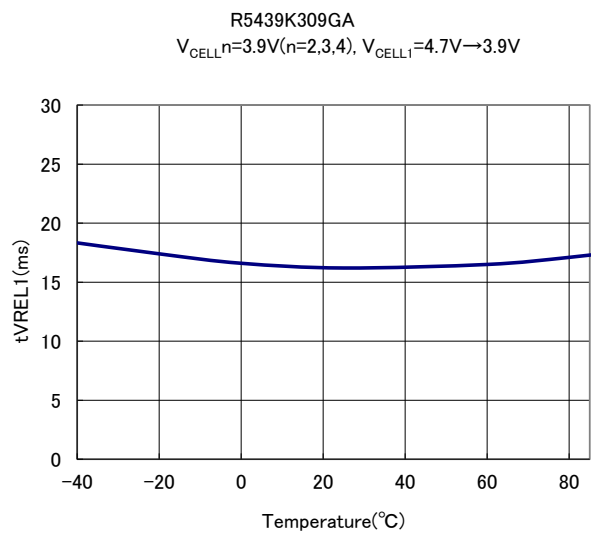
2) CELLn Overcharge Release Voltage



3) Overcharge Detection Output Delay Time



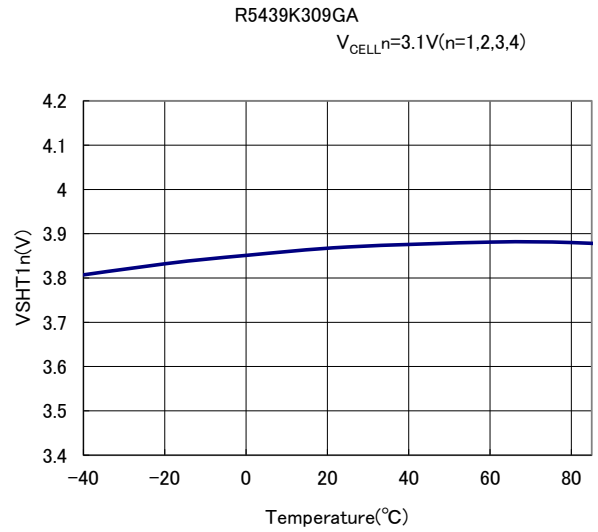
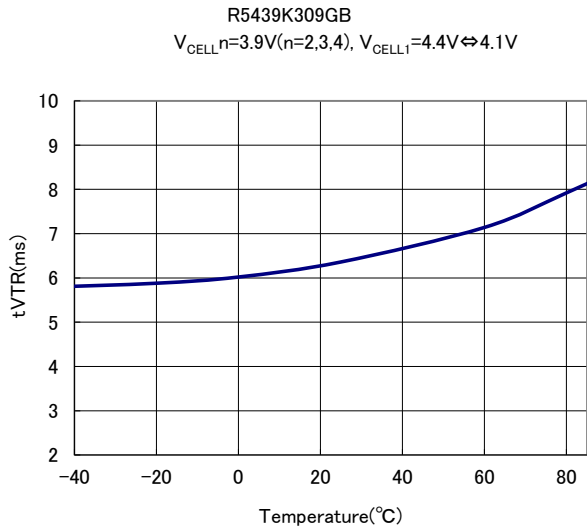
4) Overcharge Release Output Delay Time



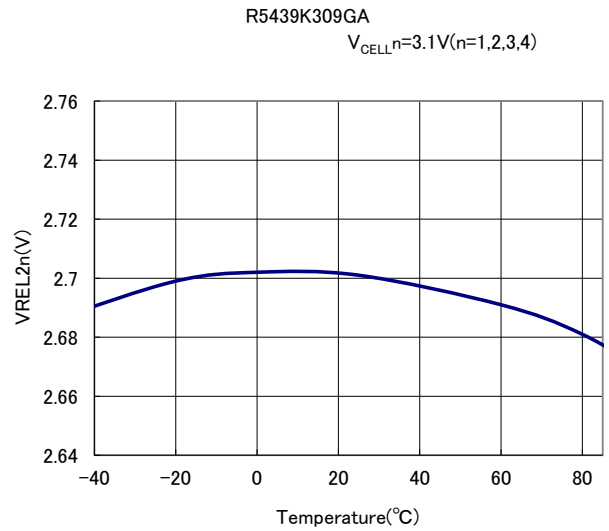
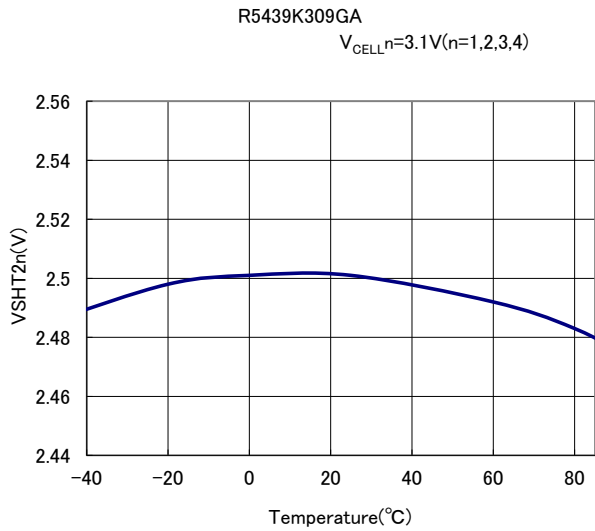
R5439K

NO.EA-349-180928

5) Output Delay Time of Overcharge Timer Reset 6) CELLn Shutdown 1 Detector Threshold

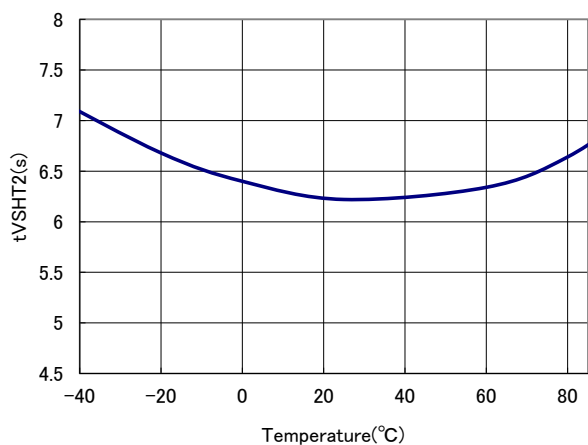


7) CELLn Shutdown 2 Detector Threshold 8) CELLn Shutdown 2 Release Voltage



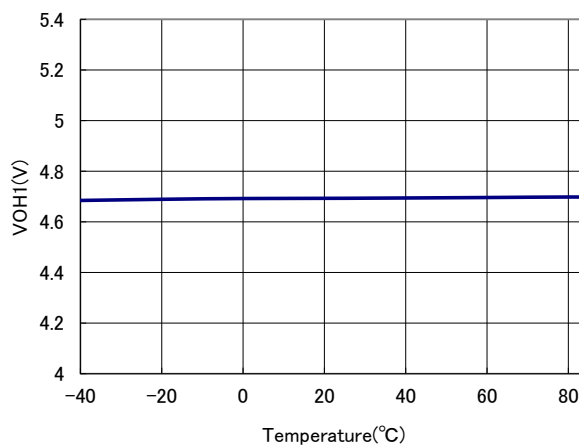
9) Shutdown 2 Output Delay Time

R5439K309GA
 $V_{CELLn}=3.1V(n=2,3,4)$, $V_{CELL1}=3.0V \rightarrow 2.0V$



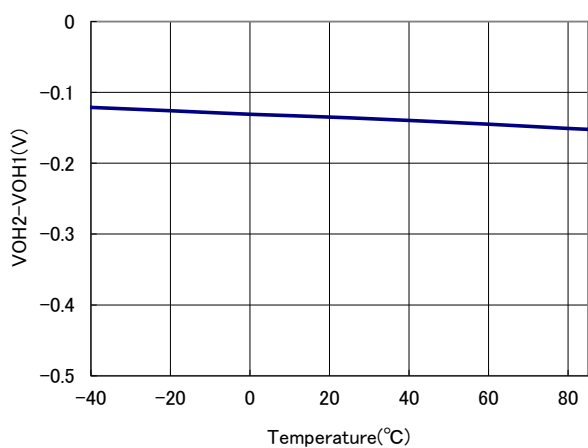
10) C_{OUT} Pch ON Voltage (No Load)

R5439K309GA
 $V_{CELLn}=4.7V(n=1,2,3,4)$, $I_{OH}=0\mu A$



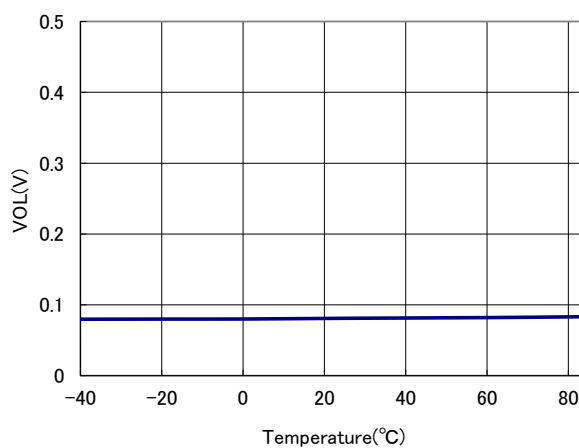
11) C_{OUT} Pch ON Voltage

R5439K309GA
 $V_{CELLn}=4.7V(n=1,2,3,4)$, $I_{OH}=-50\mu A$



12) C_{OUT} Nch ON Voltage

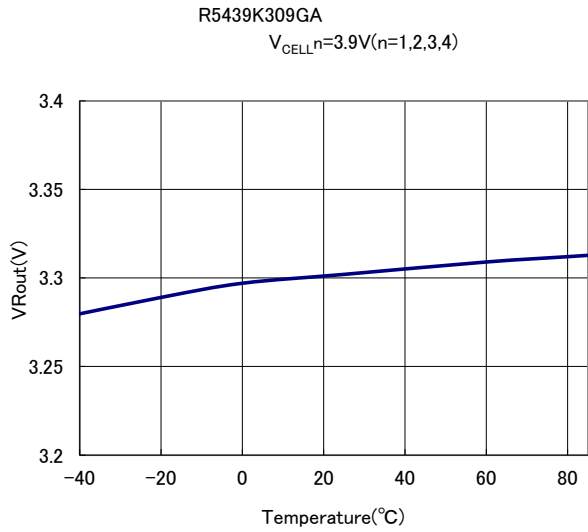
R5439K309GA
 $V_{CELLn}=3.9V(n=1,2,3,4)$, $I_{OH}=50\mu A$



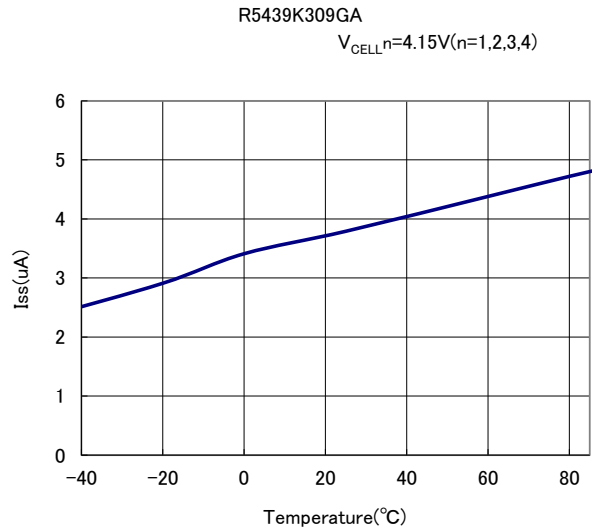
R5439K

NO.EA-349-180928

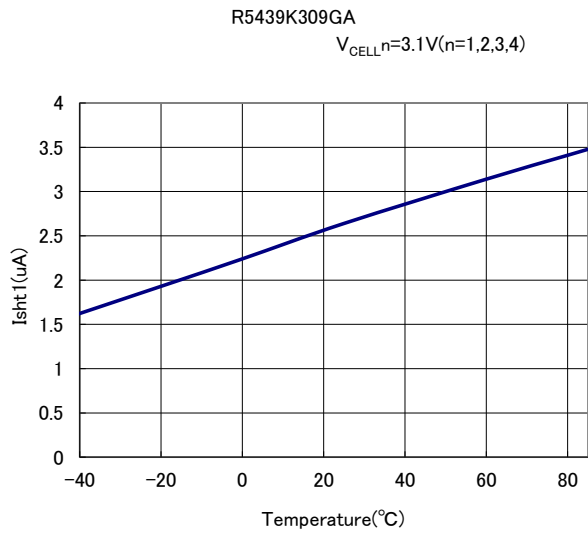
13) V_{ROUT} Output Voltage



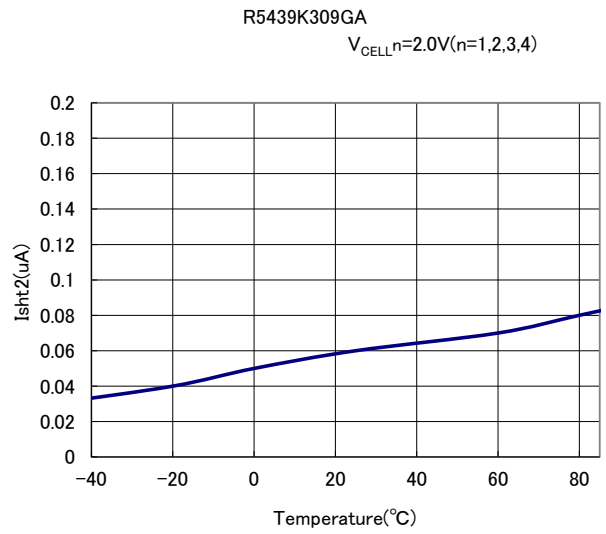
14) Supply Current



15) Shutdown 1 Current



16) Shutdown 2 Current



The power dissipation of the package is dependent on PCB material, layout, and environmental conditions. The following conditions are used in this measurement.

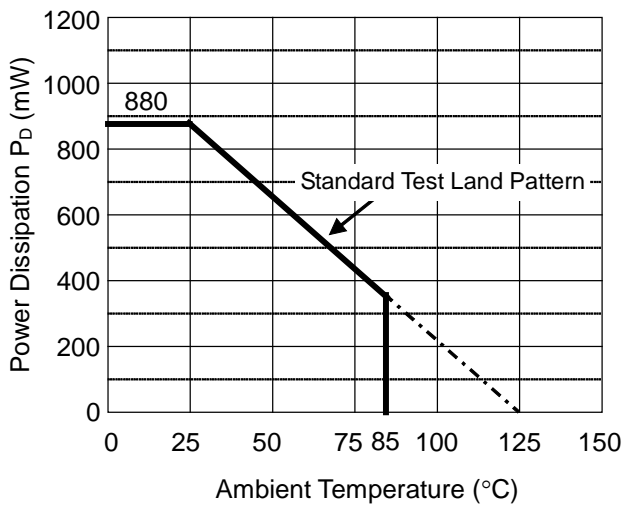
Measurement Conditions

	Standard Test Land Pattern
Environment	Mounting on Board (Wind Velocity = 0 m/s)
Board Material	Glass Cloth Epoxy Plastic (Double-Sided Board)
Board Dimensions	40 mm × 40 mm × 1.6 mm
Copper Ratio	Top Side: Approx. 50% Bottom Side: Approx. 50%
Through-holes	φ 0.54 mm × 30 pcs

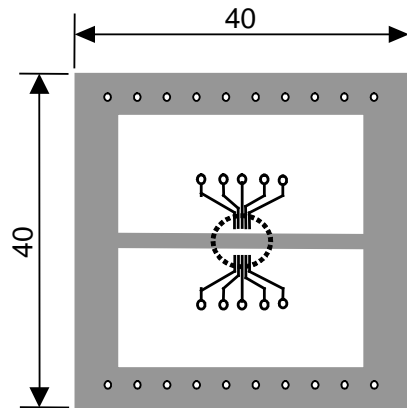
Measurement Result

(Ta = 25°C, Tjmax = 125°C)

	Standard Test Land Pattern
Power Dissipation	880 mW
Thermal Resistance	$\theta_{ja} = (125 - 25^\circ\text{C}) / 0.88 \text{ W} = 114^\circ\text{C/W}$

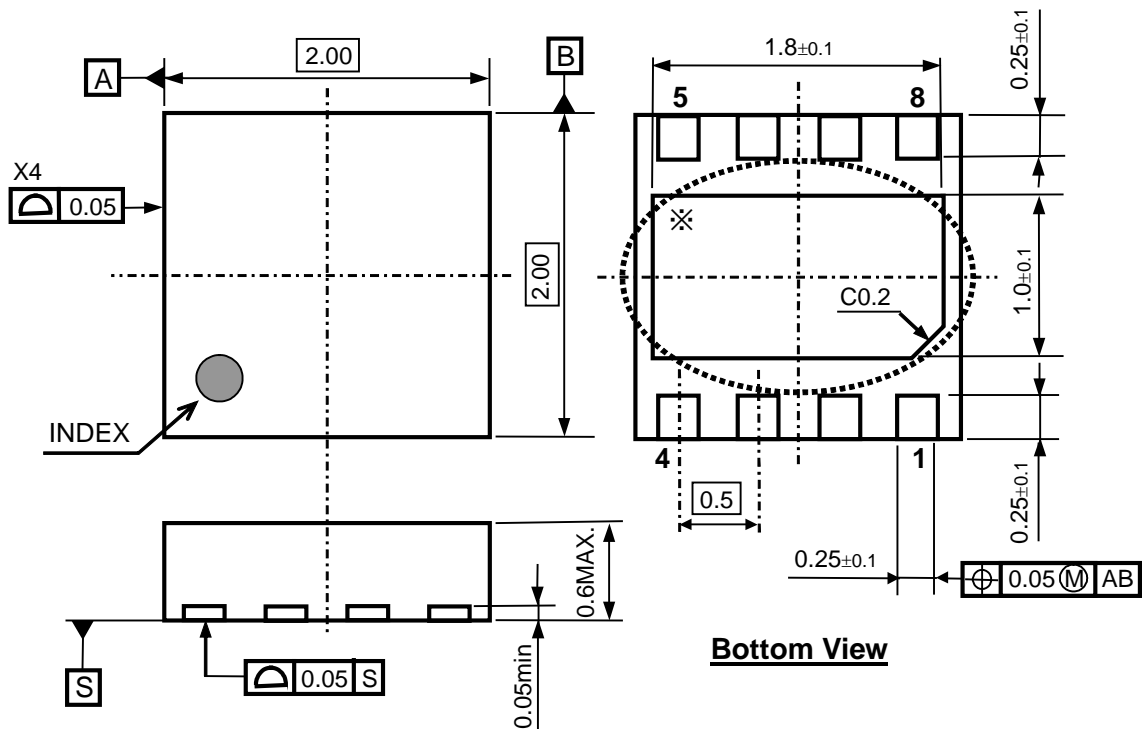


Power Dissipation vs. Ambient Temperature



○ IC Mount Area (mm)

Measurement Board Pattern



DFN (PLP) 2020-8 Package Dimensions (Unit: mm)

* The tab on the bottom of the package is substrate level (GND). It is recommended that the tab be connected to the ground plane on the board, or otherwise be left floating.



1. The products and the product specifications described in this document are subject to change or discontinuation of production without notice for reasons such as improvement. Therefore, before deciding to use the products, please refer to Ricoh sales representatives for the latest information thereon.
2. The materials in this document may not be copied or otherwise reproduced in whole or in part without prior written consent of Ricoh.
3. Please be sure to take any necessary formalities under relevant laws or regulations before exporting or otherwise taking out of your country the products or the technical information described herein.
4. The technical information described in this document shows typical characteristics of and example application circuits for the products. The release of such information is not to be construed as a warranty of or a grant of license under Ricoh's or any third party's intellectual property rights or any other rights.
5. The products listed in this document are intended and designed for use as general electronic components in standard applications (office equipment, telecommunication equipment, measuring instruments, consumer electronic products, amusement equipment etc.). Those customers intending to use a product in an application requiring extreme quality and reliability, for example, in a highly specific application where the failure or misoperation of the product could result in human injury or death (aircraft, spacevehicle, nuclear reactor control system, traffic control system, automotive and transportation equipment, combustion equipment, safety devices, life support system etc.) should first contact us.
6. We are making our continuous effort to improve the quality and reliability of our products, but semiconductor products are likely to fail with certain probability. In order to prevent any injury to persons or damages to property resulting from such failure, customers should be careful enough to incorporate safety measures in their design, such as redundancy feature, fire containment feature and fail-safe feature. We do not assume any liability or responsibility for any loss or damage arising from misuse or inappropriate use of the products.
7. Anti-radiation design is not implemented in the products described in this document.
8. The X-ray exposure can influence functions and characteristics of the products. Confirm the product functions and characteristics in the evaluation stage.
9. WLCSP products should be used in light shielded environments. The light exposure can influence functions and characteristics of the products under operation or storage.
10. There can be variation in the marking when different AOI (Automated Optical Inspection) equipment is used. In the case of recognizing the marking characteristic with AOI, please contact Ricoh sales or our distributor before attempting to use AOI.
11. Please contact Ricoh sales representatives should you have any questions or comments concerning the products or the technical information.



Ricoh is committed to reducing the environmental loading materials in electrical devices with a view to contributing to the protection of human health and the environment.

Ricoh has been providing RoHS compliant products since April 1, 2006 and Halogen-free products since April 1, 2012.

RICOH RICOH ELECTRONIC DEVICES CO., LTD.

<https://www.e-devices.ricoh.co.jp/en/>

Sales & Support Offices

Ricoh Electronic Devices Co., Ltd.

Shin-Yokohama Office (International Sales)

2-3, Shin-Yokohama 3-chome, Kohoku-ku, Yokohama-shi, Kanagawa, 222-8530, Japan
Phone: +81-50-3814-7687 Fax: +81-45-474-0074

Ricoh Americas Holdings, Inc.

675 Campbell Technology Parkway, Suite 200 Campbell, CA 95008, U.S.A.
Phone: +1-408-610-3105

Ricoh Europe (Netherlands) B.V.

Semiconductor Support Centre

Prof. W.H. Keesomlaan 1, 1183 DJ Amstelveen, The Netherlands
Phone: +31-20-5474-309

Ricoh International B.V. - German Branch

Semiconductor Sales and Support Centre

Oberrather Strasse 6, 40472 Düsseldorf, Germany
Phone: +49-211-6546-0

Ricoh Electronic Devices Korea Co., Ltd.

3F, Haesung Bldg, 504, Teheran-ro, Gangnam-gu, Seoul, 135-725, Korea
Phone: +82-2-2135-5700 Fax: +82-2-2051-5713

Ricoh Electronic Devices Shanghai Co., Ltd.

Room 403, No.2 Building, No.690 Bibo Road, Pu Dong New District, Shanghai 201203,
People's Republic of China
Phone: +86-21-5027-3200 Fax: +86-21-5027-3299

Ricoh Electronic Devices Shanghai Co., Ltd.

Shenzhen Branch

1205, Block D (Jinlong Building), Kingkey 100, Hongbao Road, Luohu District,
Shenzhen, China
Phone: +86-755-8348-7600 Ext 225

Ricoh Electronic Devices Co., Ltd.

Taipei office

Room 109, 10F-1, No.51, Hengyang Rd., Taipei City, Taiwan
Phone: +886-2-2313-1621/1622 Fax: +886-2-2313-1623