



RF Power Field Effect Transistor

N-Channel Enhancement-Mode Lateral MOSFETs

Designed for PCN and PCS base station applications with frequencies from 1800 to 2000 MHz. Suitable for FM, TDMA, CDMA and multicarrier amplifier applications. To be used in Class AB for PCN-PCS/cellular radio and WLL applications. Specified for GSM 1930 - 1990 MHz.

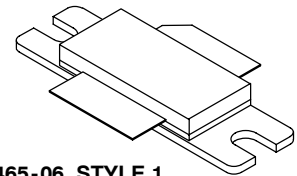
- GSM Performance, Full Frequency Band (1930 - 1990 MHz)
 Power Gain — 13 dB (Typ) @ 60 Watts CW
 Efficiency — 45% (Typ) @ 60 Watts CW
- Capable of Handling 10:1 VSWR, @ 26 Vdc, 1960 MHz, 60 Watts CW Output Power

Features

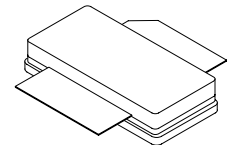
- Internally Matched for Ease of Use
- High Gain, High Efficiency and High Linearity
- Integrated ESD Protection
- Designed for Maximum Gain and Insertion Phase Flatness
- Excellent Thermal Stability
- Available with Low Gold Plating Thickness on Leads. L Suffix Indicates 40μ" Nominal.
- RoHS Compliant
- In Tape and Reel. R3 Suffix = 250 Units per 56 mm, 13 Inch Reel.

MRF18060BLR3
MRF18060BLSR3

1930-1990 MHz, 60 W, 26 V
LATERAL N-CHANNEL
RF POWER MOSFETs



CASE 465-06, STYLE 1
NI-780
MRF18060BLR3



CASE 465A-06, STYLE 1
NI-780S
MRF18060BLSR3

ARCHIVE INFORMATION

ARCHIVE INFORMATION

Table 1. Maximum Ratings

Rating	Symbol	Value	Unit
Drain-Source Voltage	V_{DSS}	-0.5, +65	Vdc
Gate-Source Voltage	V_{GS}	-0.5, +15	Vdc
Total Device Dissipation @ $T_C = 25^\circ\text{C}$ Derate above 25°C	P_D	180 1.03	W W/°C
Storage Temperature Range	T_{stg}	- 65 to +150	°C
Case Operating Temperature	T_C	150	°C
Operating Junction Temperature	T_J	200	°C

Table 2. Thermal Characteristics

Characteristic	Symbol	Value	Unit
Thermal Resistance, Junction to Case	$R_{\theta JC}$	0.97	°C/W

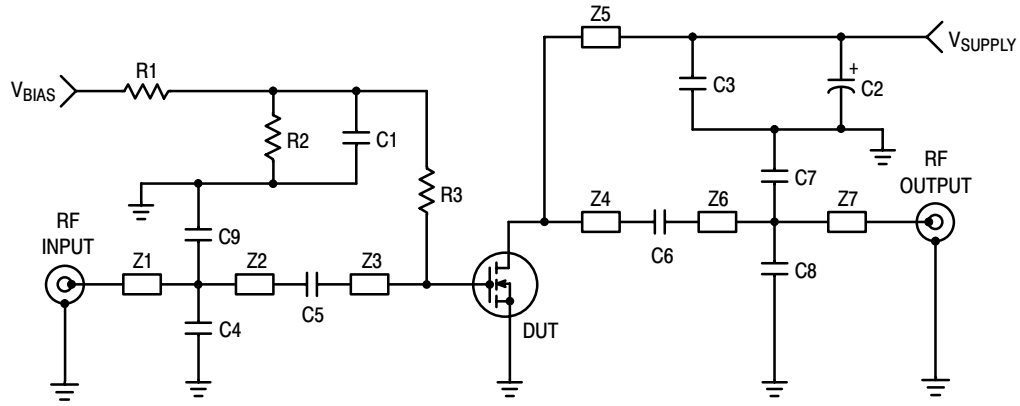
Table 3. ESD Protection Characteristics

Test Conditions	Class
Human Body Model	2 (Minimum)
Machine Model	M3 (Minimum)

Table 4. Electrical Characteristics ($T_C = 25^\circ\text{C}$ unless otherwise noted)

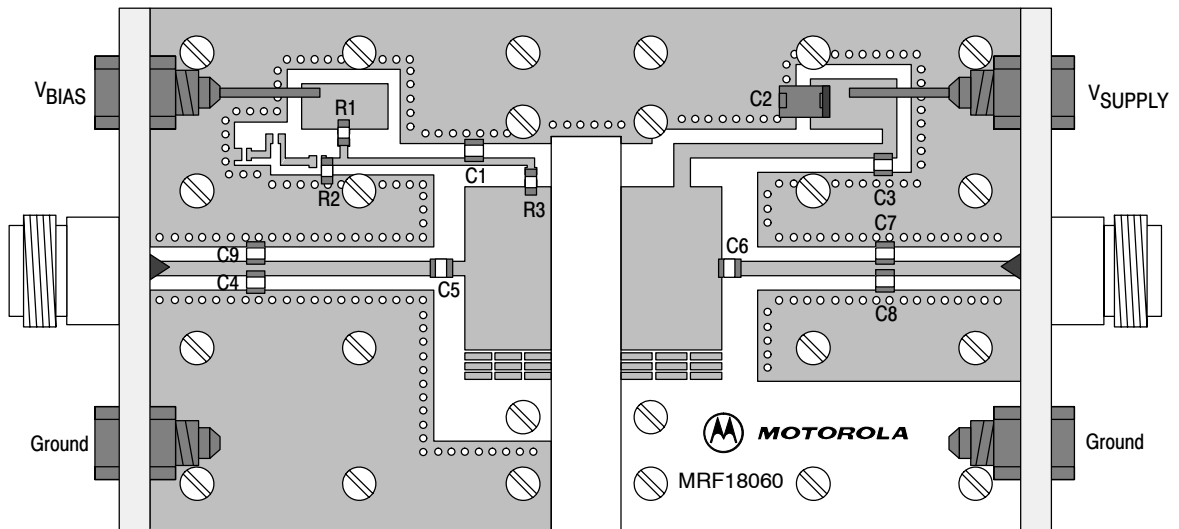
Characteristic	Symbol	Min	Typ	Max	Unit
Off Characteristics					
Drain-Source Breakdown Voltage ($V_{GS} = 0\text{ Vdc}$, $I_D = 10\ \mu\text{Adc}$)	$V_{(BR)DSS}$	65	—	—	Vdc
Zero Gate Voltage Drain Current ($V_{DS} = 26\text{ Vdc}$, $V_{GS} = 0\text{ Vdc}$)	I_{DSS}	—	—	6	μAdc
Gate-Source Leakage Current ($V_{GS} = 5\text{ Vdc}$, $V_{DS} = 0\text{ Vdc}$)	I_{GSS}	—	—	1	μAdc
On Characteristics					
Gate Threshold Voltage ($V_{DS} = 10\text{ Vdc}$, $I_D = 300\ \mu\text{Adc}$)	$V_{GS(th)}$	2	—	4	Vdc
Gate Quiescent Voltage ($V_{DS} = 26\text{ Vdc}$, $I_D = 500\ \text{mAdc}$)	$V_{GS(Q)}$	2.5	3.9	4.5	Vdc
Drain-Source On-Voltage ($V_{GS} = 10\text{ Vdc}$, $I_D = 2\ \text{Adc}$)	$V_{DS(on)}$	—	0.27	—	Vdc
Dynamic Characteristics					
Input Capacitance (Including Input Matching Capacitor in Package) ⁽¹⁾ ($V_{DS} = 26\text{ Vdc} \pm 30\ \text{mV(rms)ac}$ @ 1 MHz, $V_{GS} = 0\text{ Vdc}$)	C_{iss}	—	160	—	pF
Output Capacitance ⁽¹⁾ ($V_{DS} = 26\text{ Vdc} \pm 30\ \text{mV(rms)ac}$ @ 1 MHz, $V_{GS} = 0\text{ Vdc}$)	C_{oss}	—	740	—	pF
Reverse Transfer Capacitance ($V_{DS} = 26\text{ Vdc} \pm 30\ \text{mV(rms)ac}$ @ 1 MHz, $V_{GS} = 0\text{ Vdc}$)	C_{rss}	—	2.7	—	pF
Functional Tests (In Freescale Test Fixture, 50 ohm system)					
Common-Source Amplifier Power Gain @ 60 W ⁽²⁾ ($V_{DD} = 26\text{ Vdc}$, $I_{DQ} = 500\ \text{mA}$, $f = 1930 - 1990\ \text{MHz}$)	G_{ps}	11.5	13	—	dB
Drain Efficiency @ 60 W ⁽²⁾ ($V_{DD} = 26\text{ Vdc}$, $I_{DQ} = 500\ \text{mA}$, $f = 1930 - 1990\ \text{MHz}$)	η	40	45	—	%
Input Return Loss ⁽²⁾ ($V_{DD} = 26\text{ Vdc}$, $P_{out} = 60\ \text{W CW}$, $I_{DQ} = 500\ \text{mA}$, $f = 1930 - 1990\ \text{MHz}$)	IRL	—	—	-10	dB

- Part is internally matched both on input and output.
- To meet application requirements, Freescale test fixtures have been designed to cover the full GSM1900 band, ensuring batch-to-batch consistency.



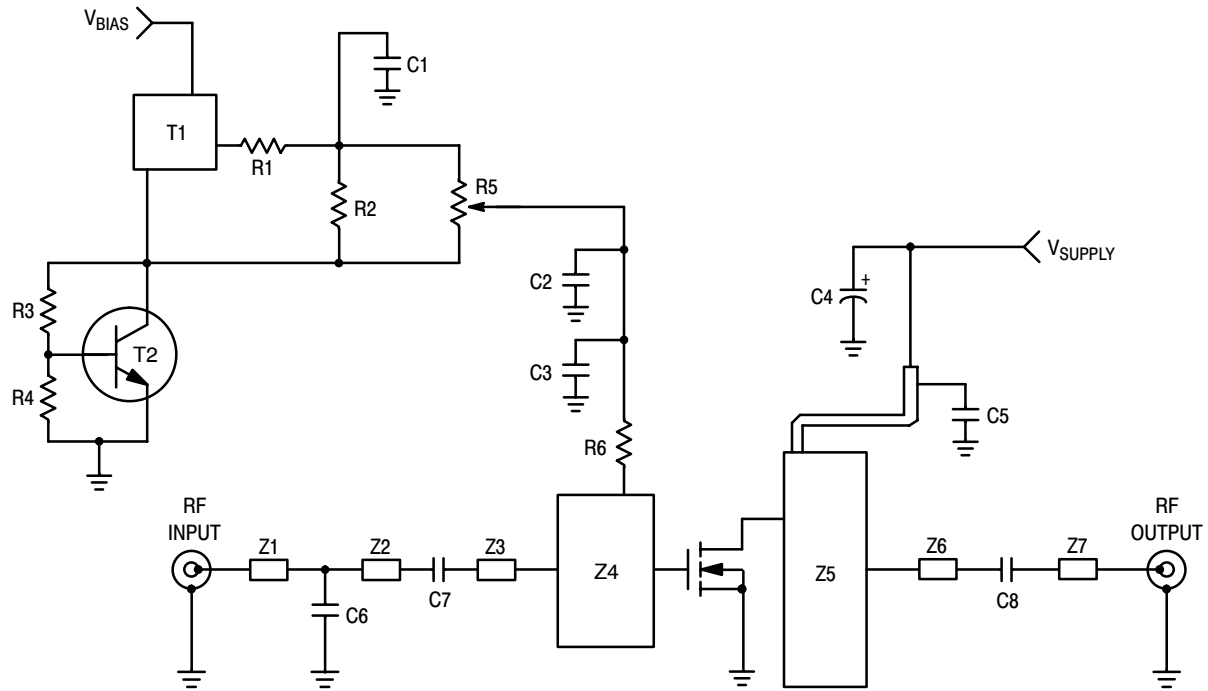
C1, C3	10 pF, 100B Chip Capacitors	Z1	0.60" x 0.09" Microstrip
C2	10 μ F, 35 V Electrolytic Tantalum Capacitor	Z2	1.00" x 0.09" Microstrip
C4, C8	1.2 pF, 100B Chip Capacitors	Z3	0.51" x 0.94" Microstrip
C5	1.0 pF, 100B Chip Capacitor	Z4	0.59" x 0.98" Microstrip
C6	2.2 pF, 100B Chip Capacitor	Z5	0.79" x 0.09" Microstrip
C7, C9	0.3 pF, 100B Chip Capacitors	Z6	1.38" x 0.09" Microstrip
R1, R2	10 k Ω Chip Resistors (0805)	Z7	0.79" x 0.09" Microstrip
R3	1.0 k Ω Chip Resistor (0805)	PCB	Teflon [®] Glass

Figure 1. 1930 - 1990 MHz Test Fixture Schematic



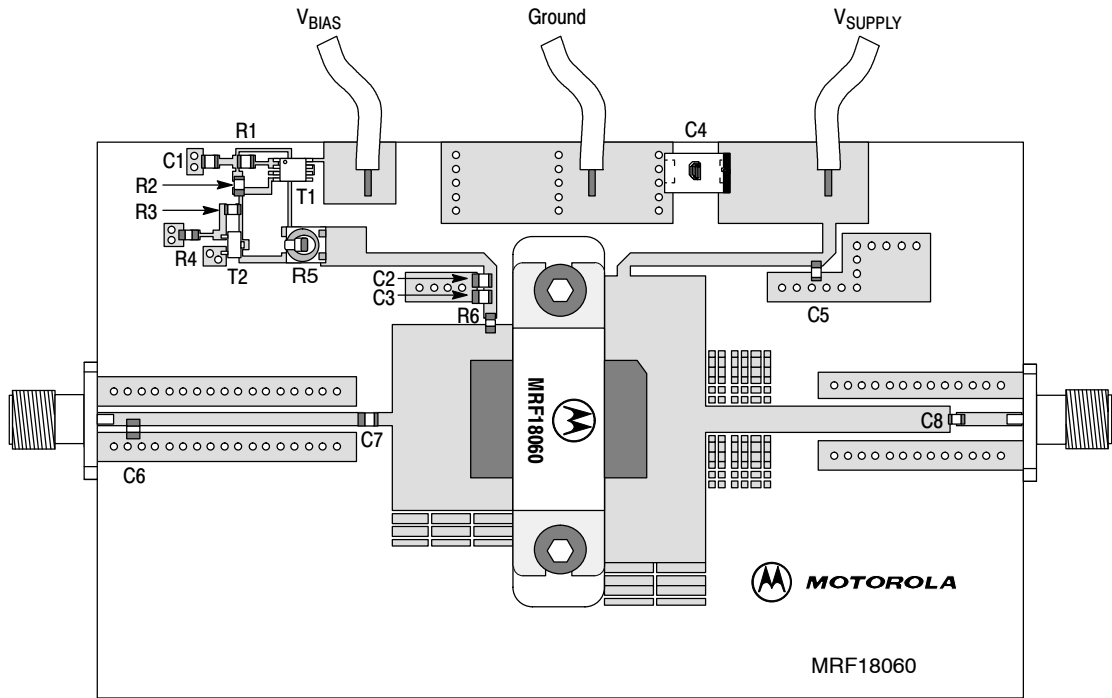
Freescale has begun the transition of marking Printed Circuit Boards (PCBs) with the Freescale Semiconductor signature/logo. PCBs may have either Motorola or Freescale markings during the transition period. These changes will have no impact on form, fit or function of the current product.

Figure 2. 1930 - 1990 MHz Test Fixture Component Layout



C1	1 μ F Chip Capacitor (0805)	T1	LP2951 Micro-8 Voltage Regulator
C2	100 nF Chip Capacitor (0805)	T2	BC847 SOT-23 NPN Transistor
C3, C5, C8	10 pF Chip Capacitors, ACCU-P (0805)	Z1	0.159" x 0.055" Microstrip
C4	10 μ F, 35 V Tantalum Electrolytic Capacitor	Z2	0.982" x 0.055" Microstrip
C6	1.8 pF Chip Capacitor, ACCU-P (0805)	Z3	0.087" x 0.055" Microstrip
C7	1 pF Chip Capacitor, ACCU-P (0805)	Z4	0.512" x 0.787" Microstrip
R1	10 Ω Chip Resistor (0805)	Z5	0.433" x 1.220" Microstrip
R2, R6	1 k Ω Chip Resistors (0805)	Z6	1.039" x 0.118" Microstrip
R3	1.2 k Ω Chip Resistor (0805)	Z7	0.268" x 0.055" Microstrip
R4	2.2 k Ω Chip Resistor (0805)		
R5	5 k Ω , SMD Potentiometer		Substrate = 0.5 mm Teflon [®] Glass, $\epsilon_r = 2.55$

Figure 3. 1800 - 2000 MHz Demo Board Schematic



Freescale has begun the transition of marking Printed Circuit Boards (PCBs) with the Freescale Semiconductor signature/logo. PCBs may have either Motorola or Freescale markings during the transition period. These changes will have no impact on form, fit or function of the current product.

Figure 4. 1800 - 2000 MHz Demo Board Component Layout

TYPICAL CHARACTERISTICS (DATA TAKEN USING WIDEBAND DEMONSTRATION BOARD)

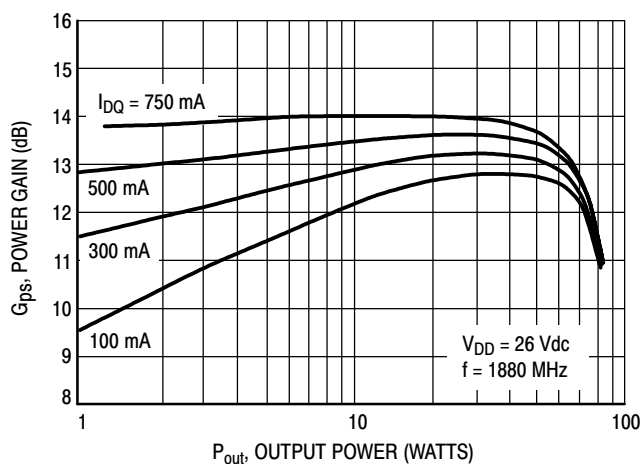


Figure 5. Power Gain versus Output Power

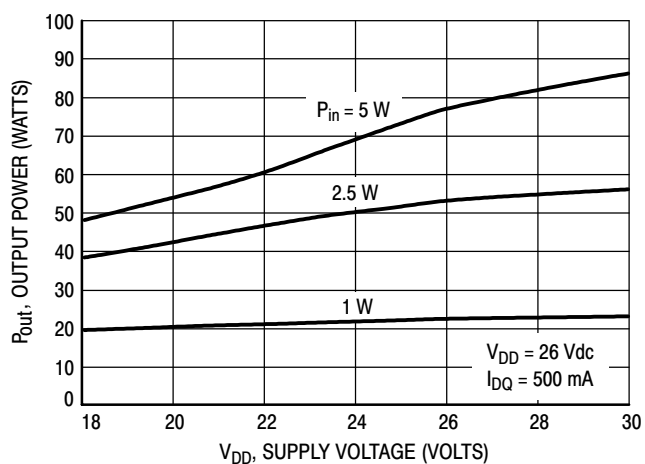


Figure 6. Output Power versus Supply Voltage

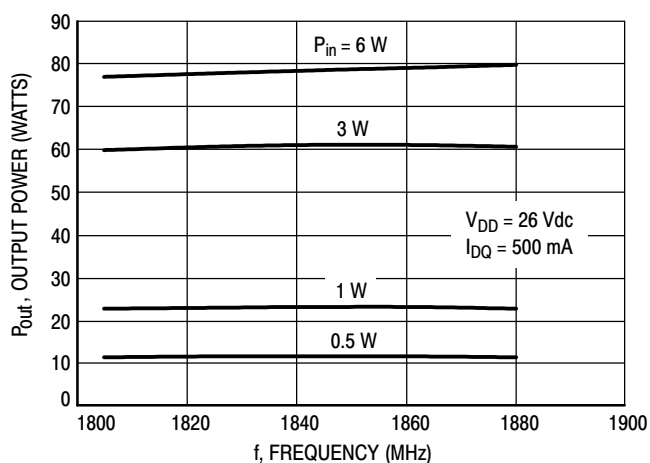


Figure 7. Output Power versus Frequency

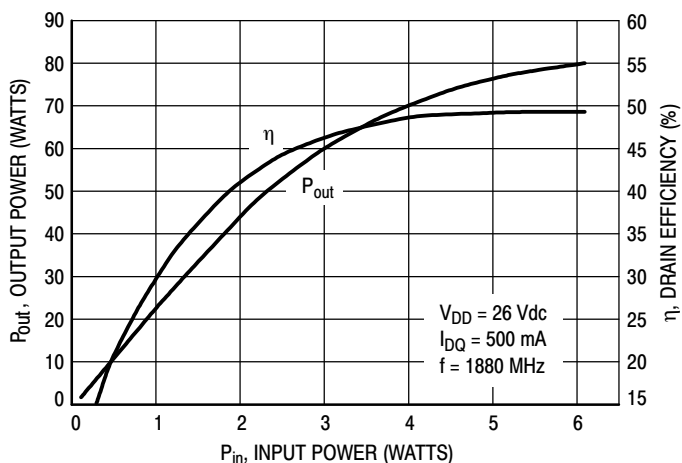


Figure 8. Output Power and Efficiency versus Input Power

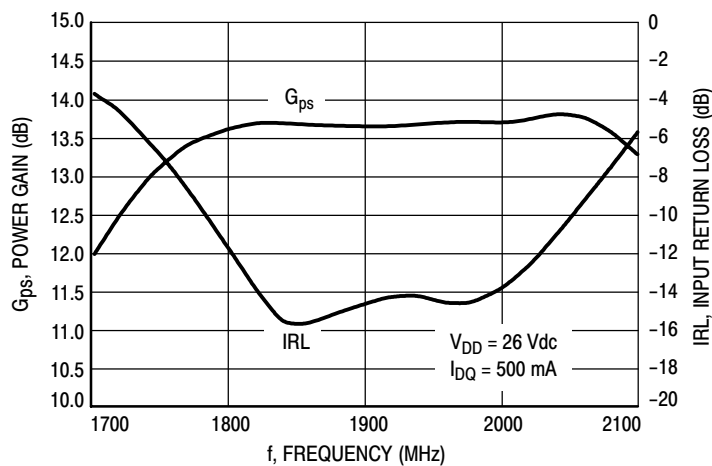
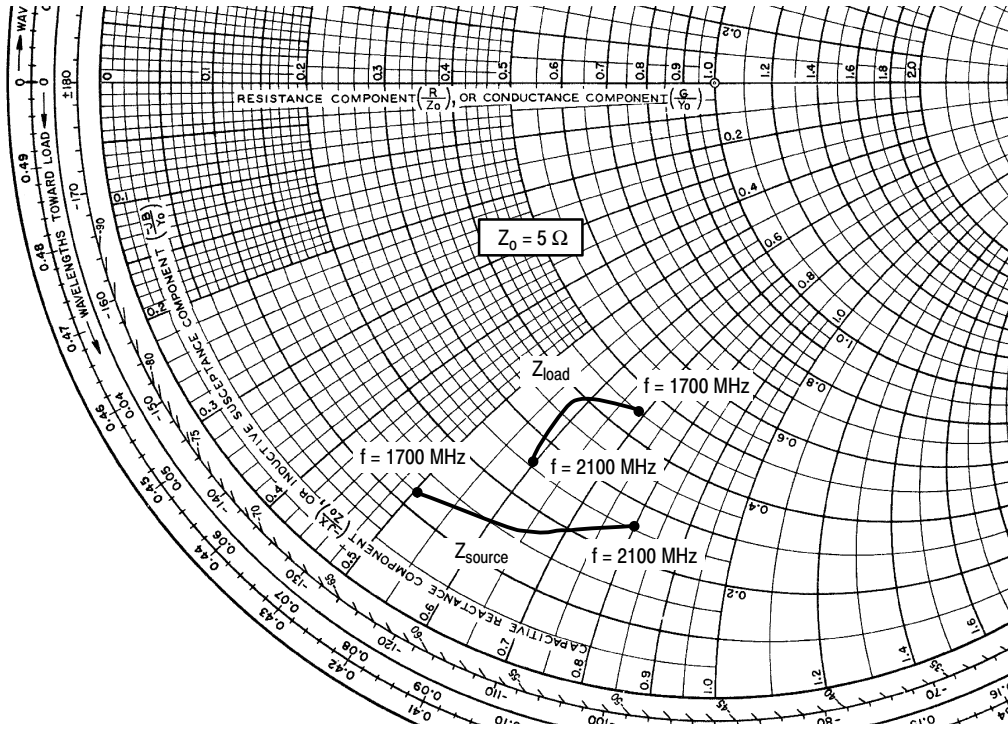


Figure 9. Wideband Gain and IRL (at Small Signal)

ARCHIVE INFORMATION

ARCHIVE INFORMATION



V_{DD} = 26 V, I_{DQ} = 500 mA, P_{out} = 60 W CW

f MHz	Z _{source} Ω	Z _{load} Ω
1700	0.60 - j2.53	2.27 - j3.44
1800	0.80 - j3.20	2.05 - j3.05
1900	0.92 - j3.42	1.90 - j2.90
2000	1.07 - j3.59	1.64 - j2.88
2100	1.31 - j4.00	1.29 - j2.99

Z_{source} = Test circuit impedance as measured from gate to ground.

Z_{load} = Test circuit impedance as measured from drain to ground.

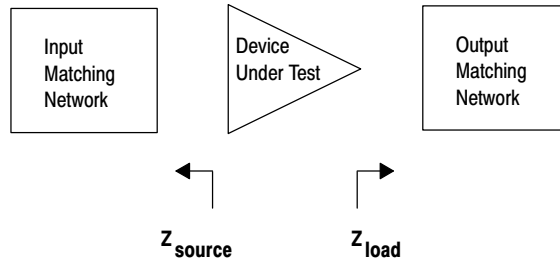


Figure 10. Series Equivalent Source and Load Impedance

NOTES

ARCHIVE INFORMATION

ARCHIVE INFORMATION

NOTES

ARCHIVE INFORMATION

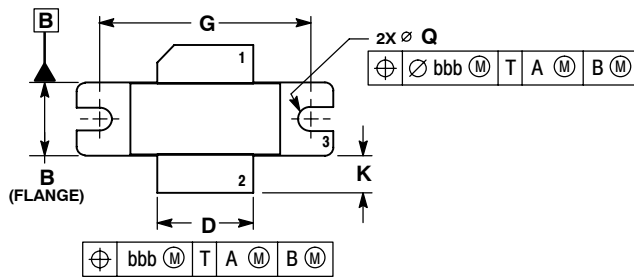
ARCHIVE INFORMATION

NOTES

ARCHIVE INFORMATION

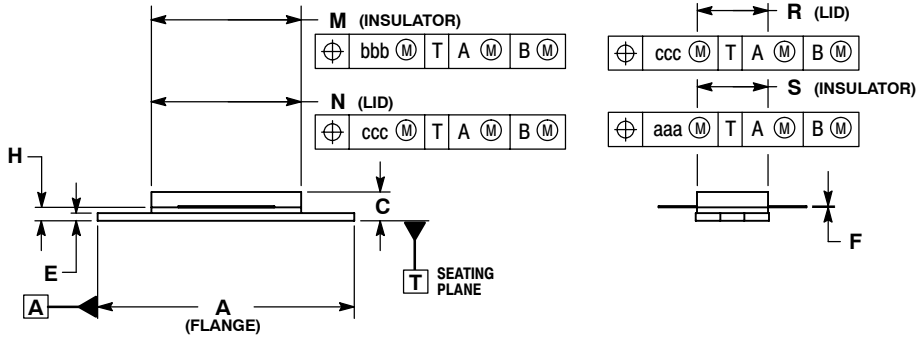
ARCHIVE INFORMATION

PACKAGE DIMENSIONS



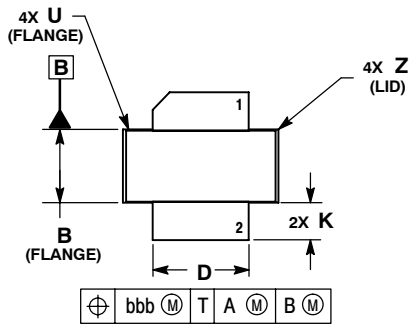
- NOTES:
1. DIMENSIONING AND TOLERANCING PER ANSI Y14.5M-1994.
 2. CONTROLLING DIMENSION: INCH.
 3. DELETED
 4. DIMENSION H IS MEASURED 0.030 (0.762) AWAY FROM PACKAGE BODY.

DIM	INCHES		MILLIMETERS	
	MIN	MAX	MIN	MAX
A	1.335	1.345	33.91	34.16
B	0.380	0.390	9.65	9.91
C	0.125	0.170	3.18	4.32
D	0.495	0.505	12.57	12.83
E	0.035	0.045	0.89	1.14
F	0.003	0.006	0.08	0.15
G	1.100 BSC		27.94 BSC	
H	0.057	0.067	1.45	1.70
K	0.170	0.210	4.32	5.33
M	0.774	0.786	19.66	19.96
N	0.772	0.788	19.60	20.00
Q	\varnothing .118	\varnothing .138	\varnothing 3.00	\varnothing 3.51
R	0.365	0.375	9.27	9.53
S	0.365	0.375	9.27	9.52
aaa	0.005 REF		0.127 REF	
bbb	0.010 REF		0.254 REF	
ccc	0.015 REF		0.381 REF	



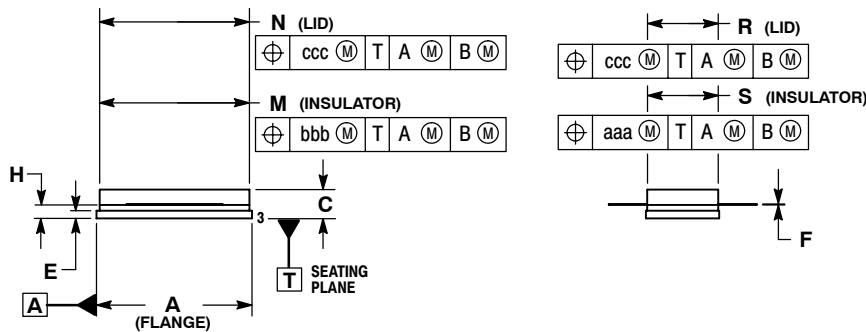
- STYLE 1:
 PIN 1. DRAIN
 2. GATE
 3. SOURCE

**CASE 465-06
 ISSUE G
 NI-780
 MRF18060BLR3**



- NOTES:
1. DIMENSIONING AND TOLERANCING PER ANSI Y14.5M-1994.
 2. CONTROLLING DIMENSION: INCH.
 3. DELETED
 4. DIMENSION H IS MEASURED 0.030 (0.762) AWAY FROM PACKAGE BODY.

DIM	INCHES		MILLIMETERS	
	MIN	MAX	MIN	MAX
A	0.805	0.815	20.45	20.70
B	0.380	0.390	9.65	9.91
C	0.125	0.170	3.18	4.32
D	0.495	0.505	12.57	12.83
E	0.035	0.045	0.89	1.14
F	0.003	0.006	0.08	0.15
H	0.057	0.067	1.45	1.70
K	0.170	0.210	4.32	5.33
M	0.774	0.786	19.61	20.02
N	0.772	0.788	19.61	20.02
R	0.365	0.375	9.27	9.53
S	0.365	0.375	9.27	9.52
U	---	0.040	---	1.02
Z	---	0.030	---	0.76
aaa	0.005 REF		0.127 REF	
bbb	0.010 REF		0.254 REF	
ccc	0.015 REF		0.381 REF	



- STYLE 1:
 PIN 1. DRAIN
 2. GATE
 5. SOURCE

**CASE 465A-06
 ISSUE H
 NI-780S
 MRF18060BLSR3**

ARCHIVE INFORMATION

ARCHIVE INFORMATION

How to Reach Us:

Home Page:
www.freescale.com

E-mail:
support@freescale.com

USA/Europe or Locations Not Listed:
Freescale Semiconductor
Technical Information Center, CH370
1300 N. Alma School Road
Chandler, Arizona 85224
+1-800-521-6274 or +1-480-768-2130
support@freescale.com

Europe, Middle East, and Africa:
Freescale Halbleiter Deutschland GmbH
Technical Information Center
Schatzbogen 7
81829 Muenchen, Germany
+44 1296 380 456 (English)
+46 8 52200080 (English)
+49 89 92103 559 (German)
+33 1 69 35 48 48 (French)
support@freescale.com

Japan:
Freescale Semiconductor Japan Ltd.
Headquarters
ARCO Tower 15F
1-8-1, Shimo-Meguro, Meguro-ku,
Tokyo 153-0064
Japan
0120 191014 or +81 3 5437 9125
support.japan@freescale.com

Asia/Pacific:
Freescale Semiconductor Hong Kong Ltd.
Technical Information Center
2 Dai King Street
Tai Po Industrial Estate
Tai Po, N.T., Hong Kong
+800 2666 8080
support.asia@freescale.com

For Literature Requests Only:
Freescale Semiconductor Literature Distribution Center
P.O. Box 5405
Denver, Colorado 80217
1-800-441-2447 or 303-675-2140
Fax: 303-675-2150
LDCForFreescaleSemiconductor@hibbertgroup.com

Information in this document is provided solely to enable system and software implementers to use Freescale Semiconductor products. There are no express or implied copyright licenses granted hereunder to design or fabricate any integrated circuits or integrated circuits based on the information in this document.

Freescale Semiconductor reserves the right to make changes without further notice to any products herein. Freescale Semiconductor makes no warranty, representation or guarantee regarding the suitability of its products for any particular purpose, nor does Freescale Semiconductor assume any liability arising out of the application or use of any product or circuit, and specifically disclaims any and all liability, including without limitation consequential or incidental damages. "Typical" parameters that may be provided in Freescale Semiconductor data sheets and/or specifications can and do vary in different applications and actual performance may vary over time. All operating parameters, including "Typicals", must be validated for each customer application by customer's technical experts. Freescale Semiconductor does not convey any license under its patent rights nor the rights of others. Freescale Semiconductor products are not designed, intended, or authorized for use as components in systems intended for surgical implant into the body, or other applications intended to support or sustain life, or for any other application in which the failure of the Freescale Semiconductor product could create a situation where personal injury or death may occur. Should Buyer purchase or use Freescale Semiconductor products for any such unintended or unauthorized application, Buyer shall indemnify and hold Freescale Semiconductor and its officers, employees, subsidiaries, affiliates, and distributors harmless against all claims, costs, damages, and expenses, and reasonable attorney fees arising out of, directly or indirectly, any claim of personal injury or death associated with such unintended or unauthorized use, even if such claim alleges that Freescale Semiconductor was negligent regarding the design or manufacture of the part.

Freescale™ and the Freescale logo are trademarks of Freescale Semiconductor, Inc. All other product or service names are the property of their respective owners.
© Freescale Semiconductor, Inc. 2006, 2009. All rights reserved.

