



## DM54S251/DM74S251 TRI-STATE® 1 of 8 Line Data Selector/Multiplexer

### General Description

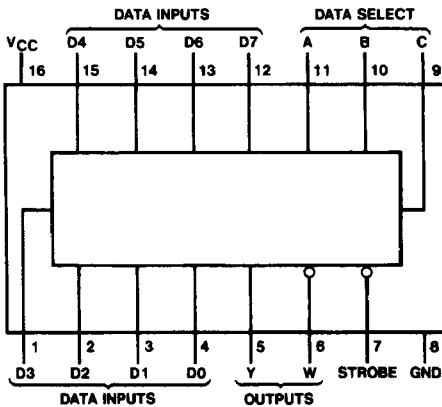
These data selectors/multiplexers contain full on-chip binary decoding to select one-of-eight data sources, and feature a strobe-controlled TRI-STATE output. The strobe must be at a low logic level to enable these devices. The TRI-STATE outputs permit direct connection to a common bus. When the strobe input is high, both outputs are in a high-impedance state in which both the upper and lower transistors of each totem pole output are off, and the output neither drives nor loads the bus significantly. When the strobe is low, the outputs are activated and operate as standard TTL totem-pole outputs.

To minimize the possibility that two outputs will attempt to take a common bus to opposite logic levels, the output control circuitry is designed so that the average output disable time is shorter than the average output enable time.

### Features

- TRI-STATE version of S151
- Interface directly with system bus
- Perform parallel-to-serial conversion
- Permit multiplexing from N-lines to one line
- Complementary outputs provide true and inverted data
- Max no. of common outputs
  - 54S 39
  - 74S 129
- Typical propagation delay time (D to Y) 8 ns
- Typical power dissipation 275 mW

### Connection Diagram



TL/F/6480-1

Order Number DM54S251J or DM74S251N  
See NS Package Number J16A or N16E

### Function Table

Inputs				Outputs	
Select			Strobe S	Y	W
C	B	A			
X	X	X	H	Z	Z
L	L	L	L	D0	$\overline{D0}$
L	L	H	L	D1	$\overline{D1}$
L	H	L	L	D2	$\overline{D2}$
L	H	H	L	D3	$\overline{D3}$
H	L	L	L	D4	$\overline{D4}$
H	L	H	L	D5	$\overline{D5}$
H	H	L	L	D6	$\overline{D6}$
H	H	H	L	D7	$\overline{D7}$

H = High Logic Level, L = Low Logic Level

X = Don't Care, Z = High Impedance (Off)

D0, D1 . . . D7 = The Level of the respective D input

## Absolute Maximum Ratings (Note)

If Military/Aerospace specified devices are required, please contact the National Semiconductor Sales Office/Distributors for availability and specifications.

Supply Voltage	7V
Input Voltage	5.5V
Operating Free Air Temperature Range	
DM54S	-55°C to +125°C
DM74S	0°C to +70°C
Storage Temperature Range	-65°C to +150°C

Note: The "Absolute Maximum Ratings" are those values beyond which the safety of the device cannot be guaranteed. The device should not be operated at these limits. The parametric values defined in the "Electrical Characteristics" table are not guaranteed at the absolute maximum ratings. The "Recommended Operating Conditions" table will define the conditions for actual device operation.

## Recommended Operating Conditions

Symbol	Parameter	DM54S251			DM74S251			Units
		Min	Nom	Max	Min	Nom	Max	
V <sub>CC</sub>	Supply Voltage	4.5	5	5.5	4.75	5	5.25	V
V <sub>IH</sub>	High Level Input Voltage	2			2			V
V <sub>IL</sub>	Low Level Input Voltage			0.8			0.8	V
I <sub>OH</sub>	High Level Output Current			-2			-6.5	mA
I <sub>OL</sub>	Low Level Output Current			20			20	mA
T <sub>A</sub>	Free Air Operating Temperature	-55		125	0		70	°C

## Electrical Characteristics over recommended operating free air temperature (unless otherwise noted)

Symbol	Parameter	Conditions	Min	Typ (Note 1)	Max	Units
V <sub>I</sub>	Input Clamp Voltage	V <sub>CC</sub> = Min, I <sub>I</sub> = -18 mA			-1.2	V
V <sub>OH</sub>	High Level Output Voltage	V <sub>CC</sub> = Min, I <sub>OH</sub> = Max V <sub>IL</sub> = Max, V <sub>IH</sub> = Min	DM54	2.4	3.4	V
			DM74	2.4	3.2	
V <sub>OL</sub>	Low Level Output Voltage	V <sub>CC</sub> = Min, I <sub>OL</sub> = Max V <sub>IH</sub> = Min, V <sub>IL</sub> = Max			0.5	V
I <sub>I</sub>	Input Current @ Max Input Voltage	V <sub>CC</sub> = Max, V <sub>I</sub> = 5.5V			1	mA
I <sub>IH</sub>	High Level Input	V <sub>CC</sub> = Max, V <sub>I</sub> = 2.7V			50	μA
I <sub>IL</sub>	Low Level Input Current	V <sub>CC</sub> = Max, V <sub>I</sub> = 0.5V			-2	mA
I <sub>OZH</sub>	Off-State Output Current with High Level Output Voltage Applied	V <sub>CC</sub> = Max, V <sub>O</sub> = 2.4 V <sub>IH</sub> = Min, V <sub>IL</sub> = Max			50	μA
I <sub>OZL</sub>	Off-State Output Current with Low Level Output Voltage Applied	V <sub>CC</sub> = Max, V <sub>O</sub> = 0.5 V <sub>IH</sub> = Min, V <sub>IL</sub> = Max			-50	μA
I <sub>OS</sub>	Short Circuit Output Current	V <sub>CC</sub> = Max (Note 2)	DM54	-40	-100	mA
			DM74	-40	-100	
I <sub>CC</sub>	Supply Current	V <sub>CC</sub> = Max (Note 3)		55	85	mA

Note 1: All typicals are at V<sub>CC</sub> = 5V, T<sub>A</sub> = 25°C.

Note 2: Not more than one output should be shorted at a time, and the duration should not exceed one second.

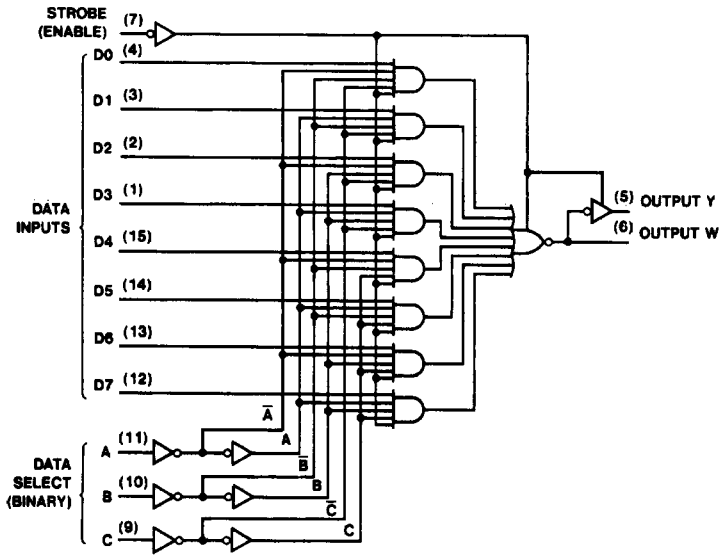
Note 3: I<sub>CC</sub> is measured with the outputs open and all inputs at 4.5V.

**Switching Characteristics** at  $V_{CC} = 5V$  and  $T_A = 25^\circ C$  (See Section 1 for Test Waveforms and Output Load)

Symbol	Parameter	From (Input) To (Output)	$R_L = 280\Omega$				Units
			$C_L = 15\text{ pF}$		$C_L = 50\text{ pF}$		
			Min	Max	Min	Max	
$t_{PLH}$	Propagation Delay Time Low to High Level Output	A, B, or C (4 Levels) to Y		18		21	ns
$t_{PHL}$	Propagation Delay Time High to Low Level Output	A, B, or C (4 Levels) to Y		19.5		23	ns
$t_{PLH}$	Propagation Delay Time Low to High Level Output	A, B, or C (3 Levels) to W		15		18	ns
$t_{PHL}$	Propagation Delay Time High to Low Level Output	A, B, or C (3 Levels) to W		13.5		17	ns
$t_{PLH}$	Propagation Delay Time Low to High Level Output	D to Y		12		15	ns
$t_{PHL}$	Propagation Delay Time High to Low Level Output	D to Y		12		15	ns
$t_{PLH}$	Propagation Delay Time Low to High Level Output	D to W		7		10	ns
$t_{PHL}$	Propagation Delay Time High to Low Level Output	D to W		7		10	ns
$t_{pZH}$	Output Enable Time to High Level Output	Strobe to Y				19.5	ns
$t_{pZL}$	Output Enable Time to Low Level Output	Strobe to Y				21	ns
$t_{pHZ}$	Output Disable Time to High Level Output (Note 1)	Strobe to Y		8.5			ns
$t_{pLZ}$	Output Disable Time to Low Level Output (Note 1)	Strobe to Y		14			ns
$t_{pZH}$	Output Enable Time to High Level Output	Strobe to W				19.5	ns
$t_{pZL}$	Output Enable Time to Low Level Output	Strobe to W				21	ns
$t_{pHZ}$	Output Disable Time to High Level Output (Note 1)	Strobe to W		8.5			ns
$t_{pLZ}$	Output Disable Time to Low Level Output (Note 1)	Strobe to W		14			ns

Note 1:  $C_L = 5\text{ pF}$ .

# Logic Diagram



TL/F/6480-2