



Features

- CMOS for optimum speed/power
- High speed
 - 15 ns max. set-up
 - 12 ns clock to output
- Low power
 - 660 mW (commercial)
 - 770 mW (military)
- On-chip edge-triggered registers
 - Ideal for pipelined microprogrammed systems
- EPROM technology
 - 100% programmable
 - Reprogrammable (7C265W)
- Capable of withstanding >2001V static discharge
- 5V ± 10% V_{CC}, commercial and military
- Slim 28-pin, 300-mil plastic or hermetic DIP

Functional Description

The CY7C265 is a 8192 x 8 registered PROM. It is organized as 8,192 words by 8 bits wide, and has a pipeline output register. In addition, the device features a programmable initialize byte that may be loaded into the pipeline register with the initialize signal. The programmable initialize byte is the 8,193rd byte in the PROM and its value is programmed at the time of use.

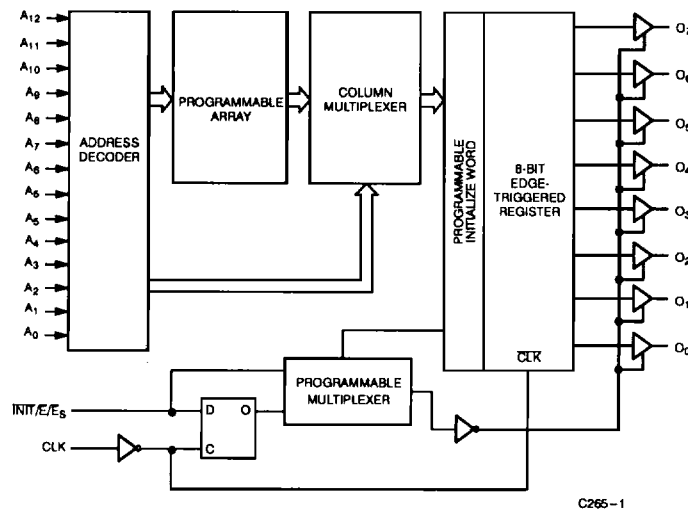
Packaged with 28 pins, the PROM has 13 address signals (A₀ through A₁₂), 8 data out signals (O₀ through O₇), E/I (enable or initialize), and CLOCK.

CLOCK functions as a pipeline clock, loading the contents of the addressed memory location into the pipeline register on each rising edge. The data will appear on the outputs if they are enabled. One pin on the CY7C265 is programmed to perform either the enable or the initialize function.

If the asynchronous enable (E) is being used, the outputs may be disabled at any time by switching the enable to a logic HIGH, and may be returned to the active state by switching the enable to a logic LOW.

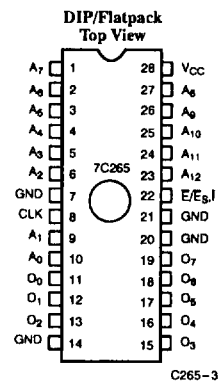
If the synchronous enable (E_S) is being used, the outputs will go to the OFF or high-impedance state upon the next positive clock edge after the synchronous enable input is switched to a HIGH level. If the synchronous enable pin is switched to a logic LOW, the subsequent positive clock edge will return the output to the active state. Following a positive clock edge, the address and synchronous enable inputs are free to change since no change in the output will occur until the next LOW-to-HIGH transition of the clock. This unique feature allows the CY7C265 decoders and sense amplifiers to access the next location while previously addressed data remains stable on the outputs.

Logic Block Diagram



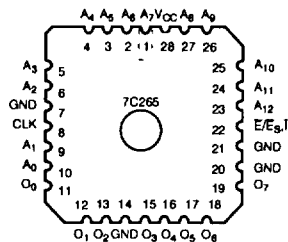
C265-1

Pin Configurations



C265-3

LCC/PLCC (Opaque Only) Top View



C265-2

Functional Description (continued)

If the E/I pin is used for INIT (asynchronous), then the outputs are permanently enabled. The initialize function is useful during power-up and time-out sequences, and can facilitate implementation of other sophisticated functions such as a built-in "jump start" address. When activated, the initialize control input causes the contents of a user-programmed 8193rd 8-bit word to be loaded into the on-chip register. Each bit is programmable and the initialize function can be used to load any desired combina-

tion of 1's and 0's into the register. In the unprogrammed state, activating INIT will generate a register clear (all outputs LOW). If all the bits of the initialize word are programmed, activating INIT performs a register preset (all outputs HIGH).

Applying a LOW to the INIT input causes an immediate load of the programmed initialize word into the pipeline register and onto the outputs. The INIT LOW disables clock and must return HIGH to enable clock independent of all other inputs, including the clock.

Selection Guides

	7C265-15	7C265-18	7C265-25	7C265-40	7C265-50	7C265-60	
Maximum Set-Up Time (ns)	15	18	25	40	50	60	
Maximum Clock to Output (ns)	12	15	20	20	25	25	
Maximum Operating Current (mA)	Com'l	120	120	120	100	80	80
	Mil		140	140		120	100

Maximum Ratings

(Above which the useful life may be impaired. For user guidelines, not tested.)

Storage Temperature - 65°C to +150°C
 Ambient Temperature with Power Applied - 55°C to +125°C
 Supply Voltage to Ground Potential - 0.5V to +7.0V
 DC Voltage Applied to Outputs in High Z State - 0.5V to +7.0V
 DC Input Voltage - 3.0V to +7.0V
 DC Program Voltage 13.0V
 UV Exposure 7258 Wsec/cm²
 Static Discharge Voltage >2001V (per MIL-STD-883, Method 3015)

Latch-Up Current >200 mA

Operating Range

Range	Ambient Temperature	V _{CC}
Commercial	0°C to +70°C	5V ±10%
Industrial ^[1]	- 40°C to +85°C	5V ±10%
Military ^[2]	- 55°C to +125°C	5V ±10%

Note:

- Contact a Cypress representative for industrial temperature range specifications.
- T_A is the "instant on" case temperature.

Electrical Characteristics Over the Operating Range^[3]

Parameters	Description	Test Conditions	7C265-15		7C265-18		7C265-25		Units
			Min.	Max.	Min.	Max.	Min.	Max.	
V _{OH}	Output HIGH Voltage	V _{CC} = Min., I _{OH} = - 2.0 mA	2.4		2.4		2.4		V
V _{OL}	Output LOW Voltage	V _{CC} = Min., I _{OL} = 8.0 mA	Com'l	0.4		0.4		0.4	V
		V _{CC} = Min., I _{OL} = 6.0 mA	Mil			0.4		0.4	
V _{IH}	Input HIGH Voltage		2.0		2.0		2.0		V
V _{IL}	Input LOW Voltage			0.8		0.8		0.8	V
I _{IX}	Input Load Current	GND ≤ V _{IN} ≤ V _{CC}	- 10	+10	- 10	+10	- 10	+10	µA
I _{OZ}	Output Leakage Current	GND ≤ V _{OUT} ≤ V _{CC} , Output Disabled	- 40	+40	- 40	+40	- 40	+40	µA
I _{OS} ^[4]	Output Short Circuit Current	V _{CC} = Max., V _{OUT} = GND		90		90		90	mA
I _{CC}	V _{CC} Operating Supply Current	V _{CC} = Max., I _{OUT} = 0 mA	Com'l	120		120		120	mA
		Mil				140		140	
V _{PP}	Programming Supply Voltage		12	13	12	13	12	13	V
I _{PP}	Programming Supply Current			50		50		50	mA
V _{IHP}	Input HIGH Programming Voltage		3.0		3.0		3.0		V
V _{ILP}	Input LOW Programming Voltage			0.4		0.4		0.4	V

Electrical Characteristics Over the Operating Range^[3](continued)

Parameters	Description	Test Conditions	7C265-40		7C265-50		7C265-60		Units
			Min.	Max.	Min.	Max.	Min.	Max.	
V _{OH}	Output HIGH Voltage	V _{CC} = Min., I _{OH} = - 2.0 mA	2.4		2.4		2.4		V
V _{OL}	Output LOW Voltage	V _{CC} = Min., I _{OL} = 12.0 mA	Com'l	0.4		0.4		0.4	V
		V _{CC} = Min., I _{OL} = 8.0 mA	Mil			0.4		0.4	
V _{IH}	Input HIGH Voltage		2.0		2.0		2.0		V
V _{IL}	Input LOW Voltage			0.8		0.8		0.8	V
I _{IX}	Input Load Current	GND ≤ V _{IN} ≤ V _{CC}	-10	+10	-10	+10	-10	+10	μA
I _{OZ}	Output Leakage Current	GND ≤ V _{OUT} ≤ V _{CC} , Output Disabled	-40	+40	-40	+40	-40	+40	μA
I _{OS} ^[4]	Output Short Circuit Current	V _{CC} = Max., V _{OUT} = GND		90		90		90	mA
I _{CC}	V _{CC} : Operating Supply Current	V _{CC} = Max., I _{OUT} = 0 mA	Com'l	100		80		80	mA
			Mil			120		100	
V _{PP}	Programming Supply Voltage		12	13	12	13	12	13	V
I _{PP}	Programming Supply Current			50		50		50	mA
V _{IHP}	Input HIGH Programming Voltage		3.0		3.0		3.0		V
V _{ILP}	Input LOW Programming Voltage			0.4		0.4		0.4	V

Capacitance^[5]

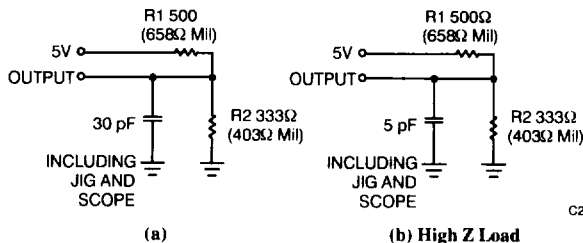
Parameters	Description	Test Conditions	Max.	Units
C _{IN}	Input Capacitance	T _A = 25°C, f = 1 MHz, V _{CC} = 5.0V	10	pF
C _{OUT}	Output Capacitance		10	pF

Notes:

- See the last page of this specification for Group A subgroup testing information.
- For test purposes, not more than one output at a time should be shorted. Short circuit test duration should not exceed 30 seconds.
- See Introduction to CMOS PROMs in this Data Book for general information on testing.

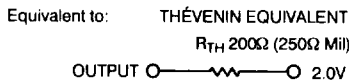
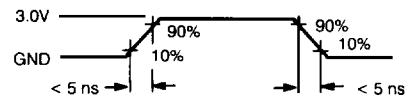
AC Test Loads and Waveforms

Test Load for -15 through -25 speeds



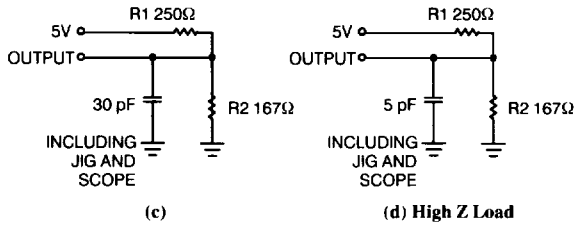
C265-4

C265-5



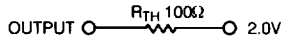
AC Test Loads and Waveforms (continued)

Test Load for -40 through -55 speeds



C265 - 6

Equivalent to: THÉVENIN EQUIVALENT

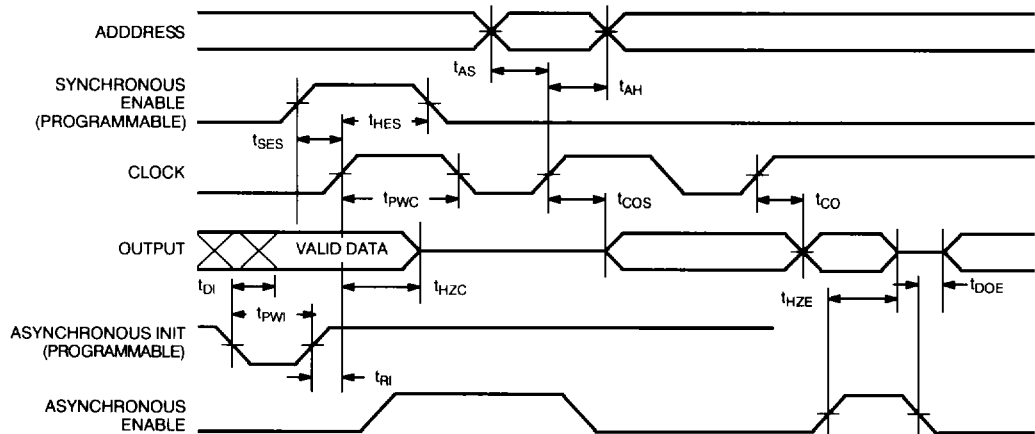


Switching Characteristics Over the Operating Range^[3,5]

Parameters	Description	7C265-15		7C265-18		7C265-25		Units
		Min.	Max.	Min.	Max.	Min.	Max.	
t _{AS}	Address Set-Up to Clock	15		18		25		ns
t _{HA}	Address Hold from Clock	0		0		0		ns
t _{CO}	Clock to Output Valid		12		15		20	ns
t _{PW}	Clock Pulse Width	12		15		15		ns
t _{SES}	\bar{E}_S Set-Up to Clock (Sync. Enable Only)	12		15		15		ns
t _{HES}	\bar{E}_S Hold from Clock	5		5		5		ns
t _{DI}	\bar{INIT} to Output Valid		15		18		25	ns
t _{RI}	\bar{INIT} Recovery to Clock	12		15		20		ns
t _{PWI}	\bar{INIT} Pulse Width	12		15		20		ns
t _{COS}	Output Valid from Clock (Sync. Mode)		12		15		20	ns
t _{HIZC}	Output Inactive from Clock (Sync. Mode)		12		15		20	ns
t _{DOE}	Output Valid from \bar{E} LOW (Async. Mode)		12		15		20	ns
t _{HIZE}	Output Inactive from \bar{E} HIGH (Async. Mode)		12		15		20	ns

Parameters	Description	7C265-40		7C265-50		7C265-60		Units
		Min.	Max.	Min.	Max.	Min.	Max.	
t _{AS}	Address Set-Up to Clock	40		50		60		ns
t _{HA}	Address Hold from Clock	0		0		0		ns
t _{CO}	Clock to Output Valid		20		25		25	ns
t _{PW}	Clock Pulse Width	15		20		20		ns
t _{SES}	\bar{E}_S Set-Up to Clock (Sync. Enable Only)	15		15		15		ns
t _{HES}	\bar{E}_S Hold from Clock	5		5		5		ns
t _{DI}	\bar{INIT} to Output Valid		25		35		35	ns
t _{RI}	\bar{INIT} Recovery to Clock	20		25		25		ns
t _{PWI}	\bar{INIT} Pulse Width	25		35		35		ns
t _{COS}	Output Valid from Clock (Sync. Mode)		20		25		25	ns
t _{HIZC}	Output Inactive from Clock (Sync. Mode)		20		25		25	ns
t _{DOE}	Output Valid from \bar{E} LOW (Async. Mode)		20		25		25	ns
t _{HIZE}	Output Inactive from \bar{E} HIGH (Async. Mode)		20		25		25	ns

Switching Waveform



C265-7

Erase Characteristics

Wavelengths of light less than 4000 angstroms begin to erase the 7C265 in the windowed package. For this reason, an opaque label should be placed over the window if the PROM is exposed to sunlight or fluorescent lighting for extended periods of time.

The recommended dose of ultraviolet light for erasure is a wavelength of 2537 angstroms for a minimum dose (UV intensity • exposure time) or 25 Wsec/cm². For an ultraviolet lamp with a 12 mW/cm² power rating the exposure time would be approximately 45 minutes. The 7C265 needs to be within one inch of the lamp during erasure. Permanent damage may result if the PROM is exposed to high-intensity UV light for an extended period of time. 7258 Wsec/cm² is the recommended maximum dosage.

Bit Map Data

Programmer Address (Hex.)		RAM Data
Decimal	Hex	Contents
0	0	Data
.	.	.
8191	1FFF	Data
8192	2000	INIT Byte
8193	2001	Control Byte

Control Byte

- 00 Asynchronous output enable (default condition)
- 01 Synchronous output enable
- 02 Asynchronous initialize

Programming Modes

The 7C265 offers a limited selection of programmed architectures. Programming these features should be done with a single 10-ms-wide pulse in place of the intelligent algorithm, mainly because these features are verified operationally, not with the VFY pin. Architecture programming is implemented by applying the supervoltage to two additional pins during programming. In programming the 7C265 architecture, V_{pp} is applied to pins 3, 9, and 22. The choice of a particular mode depends on the states of the other pins

during programming, so it is important that the condition of the other pins be met as set forth in the mode table. The considerations that apply with respect to power-up and power-down during intelligent programming also apply during architecture programming. Once the supervoltages have been established and the correct logic states exist on the other device pins, programming may begin. Programming is accomplished by pulling PGM from HIGH to LOW and then back to HIGH with a pulse width equal to 10 ms.

Table 1. Mode Selection

Mode	Pin Function							
	Read or Output Disable	A ₁₂	A ₁₁	A ₁₀ - A ₇	A ₆	A ₅	A ₄ - A ₃	A ₂
	Other	A ₁₂	A ₁₁	A ₁₀ - A ₇	A ₆	A ₅	A ₄ - A ₃	A ₂
Read		A ₁₂	A ₁₁	A ₁₀ - A ₇	A ₆	A ₅	A ₄ - A ₃	A ₂
Asynchronous Enable Read		A ₁₂	A ₁₁	A ₁₀ - A ₇	A ₆	A ₅	A ₄ - A ₃	A ₂
Synchronous Enable Read		A ₁₂	A ₁₁	A ₁₀ - A ₇	A ₆	A ₅	A ₄ - A ₃	A ₂

Table 1. Mode Selection (continued)

Mode	Pin Function							
	Read or Output Disable	A ₁₂	A ₁₁	A ₁₀ - A ₇	A ₆	A ₅	A ₄ - A ₃	A ₂
	Other	A ₁₂	A ₁₁	A ₁₀ - A ₇	A ₆	A ₅	A ₄ - A ₃	A ₂
Asynchronous Initialization Read		A ₁₂	A ₁₁	A ₁₀ - A ₇	A ₆	A ₅	A ₄ - A ₃	A ₂
Program Memory		A ₁₂	A ₁₁	A ₁₀ - A ₇	A ₆	A ₅	A ₄ - A ₃	A ₂
Program Verify		A ₁₂	A ₁₁	A ₁₀ - A ₇	A ₆	A ₅	A ₄ - A ₃	A ₂
Program Inhibit		A ₁₂	A ₁₁	A ₁₀ - A ₇	A ₆	A ₅	A ₄ - A ₃	A ₂
Program Synchronous Enable		V _{IHP}	V _{IHP}	A ₁₀ - A ₇	V _{IHP}	V _{PP}	A ₄ - A ₃	V _{IHP}
Program Initialize		V _{ILP}	V _{IHP}	A ₁₀ - A ₇	V _{IHP}	V _{PP}	A ₄ - A ₃	V _{ILP}
Program Initial Byte		A ₁₂	V _{ILP}	A ₁₀ - A ₇	V _{IHP}	V _{PP}	A ₄ - A ₃	V _{ILP}

Mode	Pin Function							
	Read or Output Disable	A ₁	A ₀	GND	CLK	GND	E, I	O ₇ - O ₀
	Other	A ₁	A ₀	PGM	CLK	V _{FP}	V _{PP}	D ₇ - D ₀
Read		A ₁	A ₀	V _{IL}	V _{IL} /V _{IH}	High Z	V _{IL}	O ₇ - O ₀
Asynchronous Enable Read		A ₁	A ₀	V _{IL}	V _{IL}	High Z	V _{IL}	O ₇ - O ₀
Synchronous Enable Read		A ₁	A ₀	V _{IL}	V _{IL} /V _{IH}	High Z	V _{IL}	O ₇ - O ₀
Asynchronous Initialization Read		A ₁	A ₀	V _{IL}	V _{IL}	High Z	V _{IL}	O ₇ - O ₀
Program Memory		A ₁	A ₀	V _{ILP}	V _{ILP}	V _{IHP}	V _{PP}	D ₇ - D ₀
Program Verify		A ₁	A ₀	V _{IHP}	V _{ILP}	V _{ILP}	V _{PP}	O ₇ - O ₀
Program Inhibit		A ₁	A ₀	V _{IHP}	V _{ILP}	V _{IHP}	V _{PP}	High Z
Program Synchronous Enable		V _{PP}	V _{ILP}	V _{ILP}	V _{ILP}	V _{IHP}	V _{PP}	D ₇ - D ₀
Program Initialize		V _{PP}	V _{ILP}	V _{ILP}	V _{ILP}	V _{IHP}	V _{PP}	D ₇ - D ₀
Program Initial Byte		V _{PP}	V _{IHP}	V _{ILP}	V _{ILP}	V _{IHP}	V _{PP}	D ₇ - D ₀

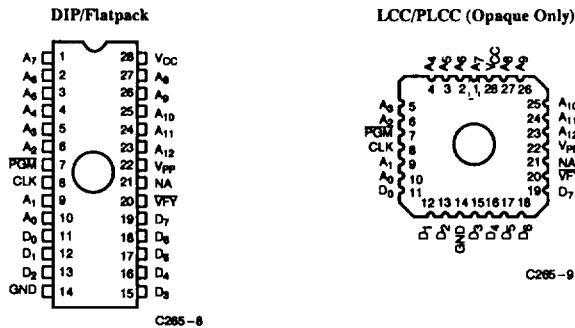


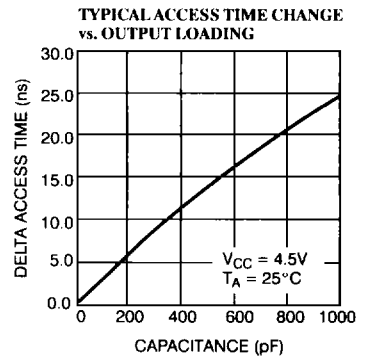
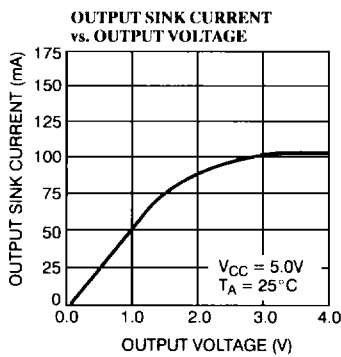
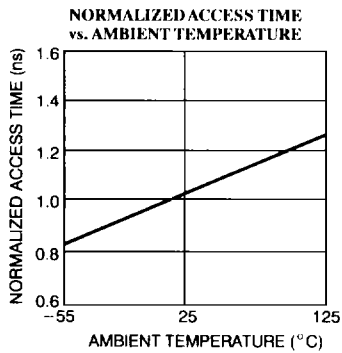
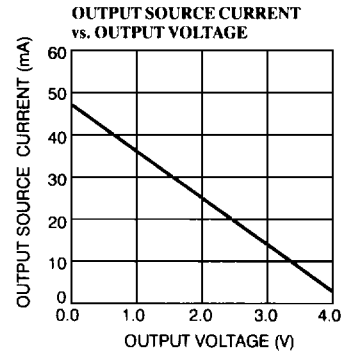
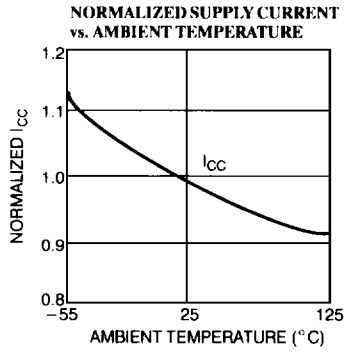
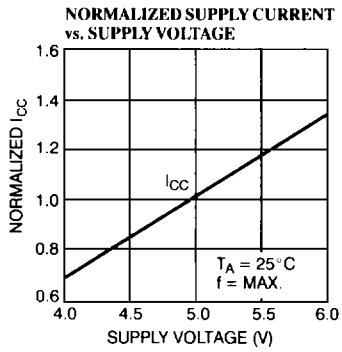
Figure 1. Programming Pinout

Programming Information

Programming support is available from Cypress as well as from a number of third-party software vendors. For detailed program-

ming information, including a listing of software packages, please see the PROM Programming Information located at the end of this section. Programming algorithms can be obtained from any Cypress representative.

Typical DC and AC Characteristics



Ordering Information

Speed (ns)	I _{CC} (mA)	Ordering Code	Package Type	Operating Range	
15	120	CY7C265-15DC	D22	Commercial	
		CY7C265-15JC	J64		
		CY7C265-15PC	P21		
		CY7C265-15WC	W22		
18	120	CY7C265-18DC	D22	Commercial	
		CY7C265-18JC	J64		
		CY7C265-18PC	P21		
		CY7C265-18WC	W22		
	140	140	CY7C265-18DMB	D22	Military
			CY7C265-18LMB	L64	
			CY7C265-18QMB	Q64	
			CY7C265-18WMB	W22	
25	140	CY7C265-25DC	D22	Commercial	
		CY7C265-25JC	J64		
		CY7C265-25PC	P21		
		CY7C265-25WC	W22		
	140	140	CY7C265-25DMB	D22	Military
			CY7C265-25LMB	L64	
			CY7C265-25QMB	Q64	
			CY7C265-25WMB	W22	
40	100	CY7C265-40DC	D22	Commercial	
		CY7C265-40JC	J64		
		CY7C265-40PC	P21		
		CY7C265-40WC	W22		
50	80	CY7C265-50DC	D22	Commercial	
		CY7C265-50JC	J64		
		CY7C265-50PC	P21		
		CY7C265-50WC	W22		
	175	175	CY7C265-50DMB	D22	Military
			CY7C265-50LMB	L64	
			CY7C265-50QMB	Q64	
			CY7C265-50WMB	W22	
60	80	CY7C265-60DC	D22	Commercial	
		CY7C265-60JC	J64		
		CY7C265-60PC	P21		
		CY7C265-60WC	W22		
	100	100	CY7C265-60DMB	D22	Military
			CY7C265-60LMB	L64	
			CY7C265-60QMB	Q64	
			CY7C265-60WMB	W22	

**MILITARY SPECIFICATIONS
Group A Subgroup Testing**

DC Characteristics

Parameters	Subgroups
V _{OHI}	1, 2, 3
V _{OL}	1, 2, 3
V _{IHI}	1, 2, 3
V _{IL}	1, 2, 3
I _{Ix}	1, 2, 3
I _{OZ}	1, 2, 3
I _{CC}	1, 2, 3
I _{SB}	1, 2, 3

Switching Characteristics

Parameters	Subgroups
t _{AS}	7, 8, 9, 10, 11
t _{HA}	7, 8, 9, 10, 11
t _{CO}	7, 8, 9, 10, 11
t _{PW}	7, 8, 9, 10, 11
t _{SES}	7, 8, 9, 10, 11
t _{HES}	7, 8, 9, 10, 11
t _{COS}	7, 8, 9, 10, 11

Document #: 38-00084-C