

# NC7SZ14

## TinyLogic™ UHS Inverter with Schmitt Trigger Input

### General Description

The NC7SZ14 is a single Inverter with Schmitt Trigger input from Fairchild's Ultra High Speed Series of TinyLogic™. The device is fabricated with advanced CMOS technology to achieve ultra high speed with high output drive while maintaining low static power dissipation over a very broad  $V_{CC}$  operating range. The device is specified to operate over the 1.8V to 5.5V  $V_{CC}$  range. The input and output are high impedance when  $V_{CC}$  is 0V. Inputs tolerate voltages up to 6V independent of  $V_{CC}$  operating voltage.

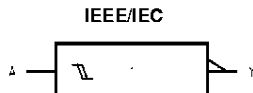
### Features

- Space saving SOT23 or SC70 5-lead package
- Ultra High Speed;  $t_{PD}$  3.7 ns Typ into 50 pF at 5V  $V_{CC}$
- High Output Drive;  $\pm 24$  mA at 3V  $V_{CC}$
- Broad  $V_{CC}$  Operating Range; 1.8V to 5.5V
- Matches the performance of LCX when operated at 3.3V  $V_{CC}$
- Power down high impedance inputs/output
- Overvoltage Tolerant inputs facilitate 5V to 3V translation
- Patented noise/EMI reduction circuitry implemented

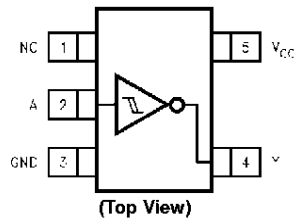
### Ordering Code:

Order Number	Package Number	Package Top Mark	Package Description	Supplied As
NC7SZ14M5	MA05B	7Z14	5-Lead SOT23, JEDEC MO-178, 1.6mm	250 Units on Tape and Reel
NC7SZ14M5X	MA05B	7Z14	5-Lead SOT23, JEDEC MO-178, 1.6mm	3k Units on Tape and Reel
NC7SZ14P5	MAA05A	Z14	5-Lead SC70, EIAJ SC-88a, 1.25mm Wide	250 Units on Tape and Reel
NC7SZ14P5X	MAA05A	Z14	5-Lead SC70, EIAJ SC-88a, 1.25mm Wide	3k Units on Tape and Reel

### Logic Symbol



### Connection Diagram



### Pin Descriptions

Pin Names	Description
A	Input
Y	Output
NC	No Connect

### Function Table

$Y = \bar{A}$

Input	Output
A	Y
L	H
H	L

H = HIGH Logic Level  
L = LOW Logic Level

TinyLogic™ is a trademark of Fairchild Semiconductor Corporation

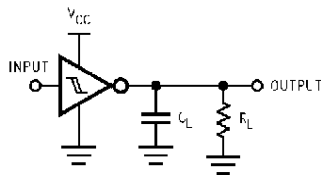
Absolute Maximum Ratings (Note 1)		Power Dissipation ( $P_D$ ) @ +85°C									
Supply Voltage ( $V_{CC}$ )	-0.5V to +6V	SOT23-5	200 mW								
DC Input Voltage ( $V_{IN}$ )	-0.5V to +6V	SC70-5	150 mW								
DC Output Voltage ( $V_{OUT}$ )	-0.5V to +6V	<b>Recommended Operating Conditions</b>									
DC Input Diode Current ( $I_{IK}$ )		Supply Voltage Operating ( $V_{CC}$ )	1.8V to 5.5V								
@ $V_{IN} < -0.5V$	-50 mA	Supply Voltage Data Retention ( $V_{CC}$ )	1.5V to 5.5V								
@ $V_{IN} > 6V$	+20 mA	Input Voltage ( $V_{IN}$ )	0V to 5.5V								
DC Output Diode Current ( $I_{OK}$ )		Output Voltage ( $V_{OUT}$ )	0V to $V_{CC}$								
@ $V_{OUT} < -0.5V$	-50 mA	Operating Temperature ( $T_A$ )	-40°C to +85°C								
@ $V_{OUT} > 6V, V_{CC} = GND$	+20 mA	Thermal Resistance ( $\theta_{JA}$ )									
DC Output Current ( $I_{OUT}$ )	$\pm 50$ mA	SOT23-5	300°C/W								
DC $V_{CC}/GND$ Current ( $I_{CC}/I_{GND}$ )	$\pm 50$ mA	SC70-5	425°C/W								
Storage Temperature ( $T_{STG}$ )	-65°C to +150°C	<b>Note 1:</b> Absolute maximum ratings are DC values beyond which the device may be damaged or have its useful life impaired. The datasheet specification should be met without exception to ensure that the system design is reliable over its power supply temperature and output/input loading variables. Fairchild does not recommend operation outside datasheet speci-									
Junction Temperature under Bias ( $T_J$ )	150°C										
Junction Lead Temperature ( $T_1$ ); (Soldering, 10 seconds)	260°C										
DC Electrical Characteristics											
Symbol	Parameter	$V_{CC}$ (V)	$T_A = +25^\circ\text{C}$			$T_A = -40^\circ\text{C to } +85^\circ\text{C}$		Unit	Conditions		
			Min	Typ	Max	Min	Max				
$V_P$	Positive Threshold Voltage	1.8	0.7	1.1	1.5	0.7	1.5	V			
		2.3	1.0	1.4	1.8	1.0	1.8				
		3.0	1.3	1.75	2.2	1.3	2.2				
		4.5	1.9	2.45	3.1	1.9	3.1				
		5.5	2.2	2.9	3.6	2.2	3.6				
$V_N$	Negative Threshold Voltage	1.8	0.25	0.55	0.9	0.25	0.9	V			
		2.3	0.40	0.75	1.15	0.40	1.15				
		3.0	0.6	1.0	1.5	0.6	1.5				
		4.5	1.0	1.43	2.0	1.0	2.0				
		5.5	1.2	1.70	2.3	1.2	2.3				
$V_H$	Hysteresis Voltage	1.8	0.15	0.54	1.0	0.15	1.0	V			
		2.3	0.25	0.65	1.1	0.25	1.1				
		3.0	0.4	0.77	1.2	0.4	1.2				
		4.5	0.6	1.01	1.5	0.6	1.5				
		5.5	0.7	1.18	1.7	0.7	1.7				
$V_{OH}$	HIGH Level Output Voltage	1.8	1.7	1.8		1.7		V	$V_{IN} = V_{IL}$	$I_{OH} = -100 \mu\text{A}$	
		2.3	2.2	2.3		2.2					
		3.0	2.9	3.0		2.9					
		4.5	4.4	4.5		4.4					
		5.5	5.0	5.5		5.0					
			2.3	1.9	2.15		1.9		V		$I_{OH} = -8 \text{ mA}$
			3.0	2.4	2.80		2.4				$I_{OH} = -16 \text{ mA}$
			3.0	2.3	2.68		2.3				$I_{OH} = -24 \text{ mA}$
			4.5	3.8	4.20		3.8				$I_{OH} = -32 \text{ mA}$
			4.5	3.8	4.20		3.8				
$V_{OL}$	LOW Level Output Voltage	1.8		0.0	0.1		0.1	V	$V_{IN} = V_{IH}$	$I_{OL} = 100 \mu\text{A}$	
		2.3		0.0	0.1		0.1				
		3.0		0.0	0.1		0.1				
		4.5		0.0	0.1		0.1				
			2.3		0.10	0.3		0.3	V		$I_{OL} = 8 \text{ mA}$
			3.0		0.15	0.4		0.4			$I_{OL} = 16 \text{ mA}$
			3.0		0.22	0.55		0.55			$I_{OL} = 24 \text{ mA}$
			4.5		0.22	0.55		0.55			$I_{OL} = 32 \text{ mA}$
$I_{IN}$	Input Leakage Current	0-5.5			$\pm 1$		$\pm 10$	$\mu\text{A}$	$V_{IN} = 5.5V, GND$		
$I_{OFF}$	Power Off Leakage Current	0.0			1		10	$\mu\text{A}$	$V_{IN}$ or $V_{OUT} = 5.5V$		

DC Electrical Characteristics (Continued)									
Symbol	Parameter	V <sub>CC</sub> (V)	T <sub>A</sub> = +25°C			T <sub>A</sub> = -40°C to +85°C		Unit	Conditions
			Min	Typ	Max	Min	Max		
I <sub>CC</sub>	Quiescent Supply Current	1.8-5.5			2.0		20	μA	V <sub>IN</sub> = 5.5V, GND

AC Electrical Characteristics										
Symbol	Parameter	V <sub>CC</sub> (V)	T <sub>A</sub> = +25°C			T <sub>A</sub> = -40°C to +85°C		Unit	Conditions	Fig. No.
			Min	Typ	Max	Min	Max			
t <sub>PLH</sub>	Propagation Delay	1.8	2.0	7.6	12.5	2.0	13	ns	C <sub>L</sub> = 15 pF, R <sub>L</sub> = 1 MΩ	Figure 1 Figure 3
t <sub>PHL</sub>		2.5 ± 0.2	1.0	5.0	9.0	1.0	9.5			
		3.3 ± 0.3	1.0	3.7	6.3	1.0	6.5			
		5.0 ± 0.5	0.5	3.1	5.2	0.5	5.5			
t <sub>PLH</sub>	Propagation Delay	3.3 ± 0.3	1.5	4.4	7.2	1.5	7.5	ns	C <sub>L</sub> = 50 pF, R <sub>L</sub> = 500Ω	Figure 1 Figure 3
t <sub>PHL</sub>		5.0 ± 0.5	0.8	3.7	5.9	0.8	6.2			
C <sub>IN</sub>	Input Capacitance	0	4					pF		
C <sub>PD</sub>	Power Dissipation	3.3	24					pF	(Note 2)	Figure 2
	Capacitance	5.0	30							

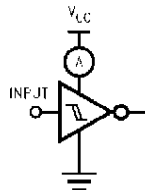
**Note 2:** C<sub>PD</sub> is defined as the value of the internal equivalent capacitance which is derived from dynamic operating current consumption (I<sub>CCD</sub>) at no output loading and operating at 50% duty cycle. (See Figure 2.) C<sub>PD</sub> is related to I<sub>CCD</sub> dynamic operating current by the expression  
 $I_{CCD} = (C_{PD})(V_{CC})(f_{IN}) + (I_{CC \text{ static}})$

### AC Loading and Waveforms



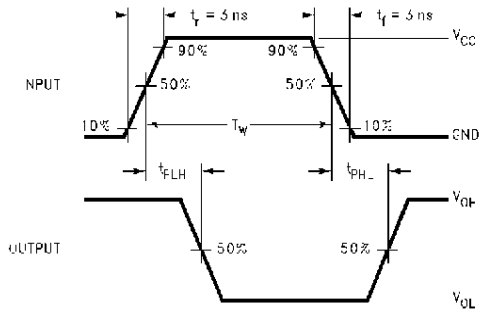
C<sub>L</sub> includes load and stray capacitance  
 Input PRR = 1.0 MHz, t<sub>w</sub> = 500 ns

**FIGURE 1. AC Test Circuit**



Input = AC Waveform, t<sub>r</sub> = t<sub>f</sub> = 1.8 ns  
 PRR = 10 MHz, Duty Cycle = 50%

**FIGURE 2. I<sub>CCD</sub> Test Circuit**



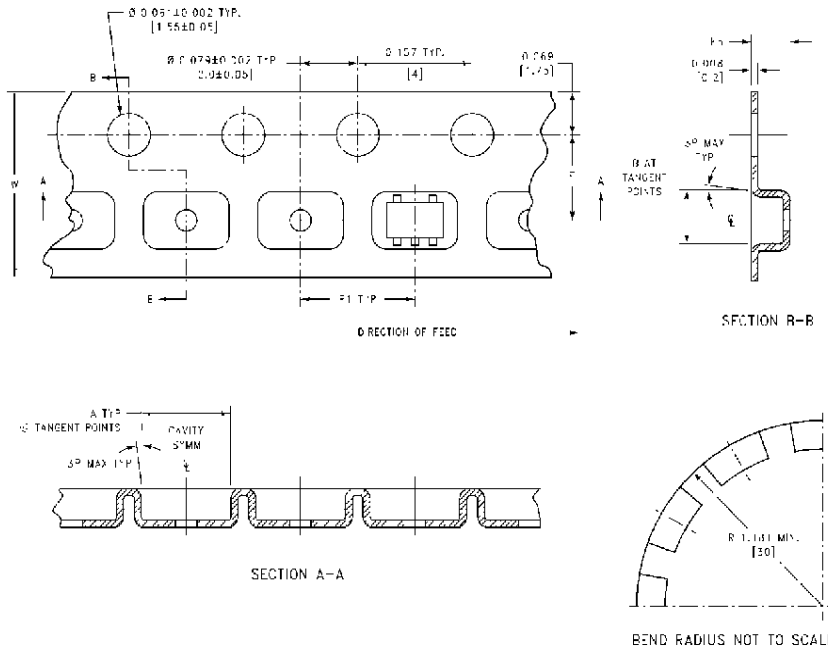
**FIGURE 3. AC Waveforms**

### Tape and Reel Specification

TAPE FORMAT

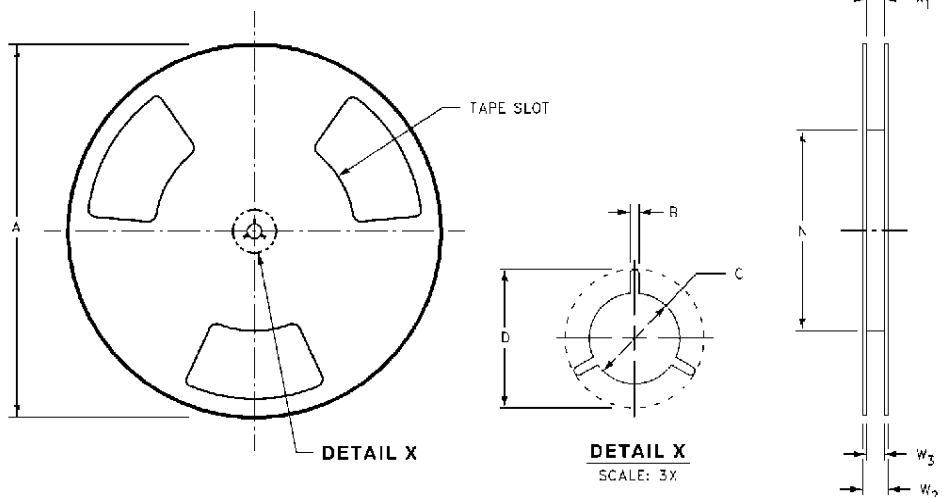
Package Designator	Tape Section	Number Cavities	Cavity Status	Cover Tape Status
M5, P5	Leader (Start End)	125 (typ)	Empty	Sealed
	Carrier	250	Filled	Sealed
	Trailer (Hub End)	75 (typ)	Empty	Sealed
M5X, P5X	Leader (Start End)	125 (typ)	Empty	Sealed
	Carrier	3000	Filled	Sealed
	Trailer (Hub End)	75 (typ)	Empty	Sealed

TAPE DIMENSIONS inches (millimeters)



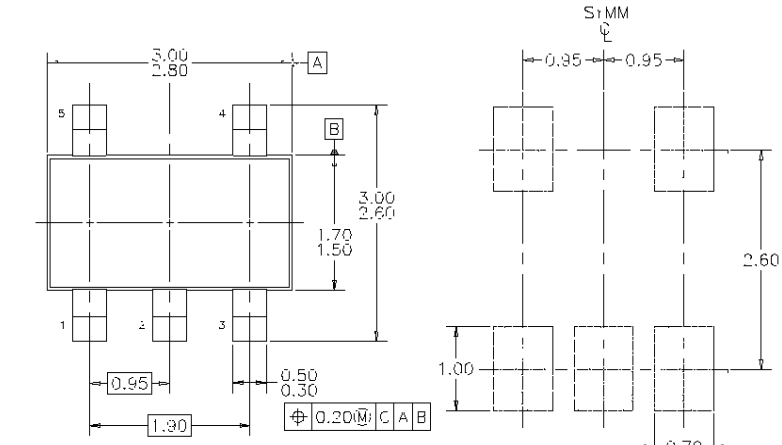
Package	Tape Size	DIM A	DIM B	DIM F	DIM K <sub>0</sub>	DIM P1	DIM W
SC70-5	8 mm	0.093 (2.35)	0.096 (2.45)	0.138 ± 0.004 (3.5 ± 0.10)	0.053 ± 0.004 (1.35 ± 0.10)	0.157 (4)	0.315 ± 0.004 (8 ± 0.1)
SOT23-5	8 mm	0.130 (3.3)	0.130 (3.3)	0.138 ± 0.002 (3.5 ± 0.05)	0.055 ± 0.004 (1.4 ± 0.11)	0.157 (4)	0.315 ± 0.012 (8 ± 0.3)

**REEL DIMENSIONS** inches (millimeters)

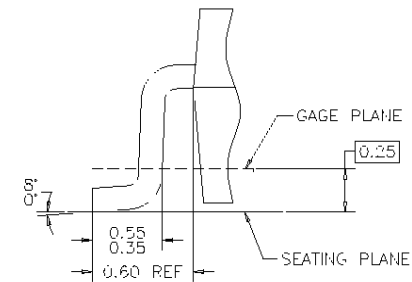
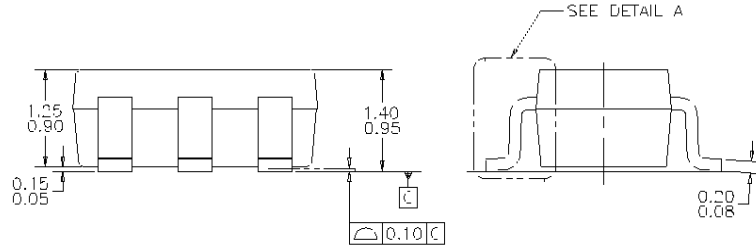


Tape Size	A	B	C	D	N	W1	W2	W3
8 mm	7.0 (177.8)	0.059 (1.50)	0.512 (13.00)	0.795 (20.20)	2.165 (55.00)	0.331 + 0.059/-0.000 (8.40 + 1.50/-0.00)	0.567 (14.40)	W1 + 0.078/-0.039 (W1 + 2.00/-1.00)

**Physical Dimensions** inches (millimeters) unless otherwise noted



LAND PATTERN RECOMMENDATION



NOTES: UNLESS OTHERWISE SPECIFIED

- A) THIS PACKAGE CONFORMS TO JEDEC MO-178, ISSUE B, VARIATION AA, DATED JANUARY 1999.
- B) ALL DIMENSIONS ARE IN MILLIMETERS.

**5-Lead SOT23, JEDEC MO-178, 1.6mm  
Package Number MA05B**

