



# Quad SPST, High-Bandwidth, Signal Line Protection Switch

MAX4854H/MAX4854HL

## General Description

The MAX4854H/MAX4854HL analog switches operate from a single +2V to +5.5V supply and can handle signals greater than the supply rail. These devices feature four low on-resistance ( $7\Omega$ ) single-pole/single-throw (SPST) switches, with 27.5pF on-capacitance, making them ideal for data signals. If the input signal exceeds the supply rail, the switches become high impedance and prevent the signal from feeding through to the output.

The MAX4854H/MAX4854HL are available in the space-saving (3mm x 3mm), 16-pin, thin QFN package and operate over the extended (-40°C to +85°C) temperature range.

## Applications

- USB Switching
- High-Bandwidth Data Switching
- Cellular Phones
- Notebook Computers
- PDA's and Other Handheld Devices

## Features

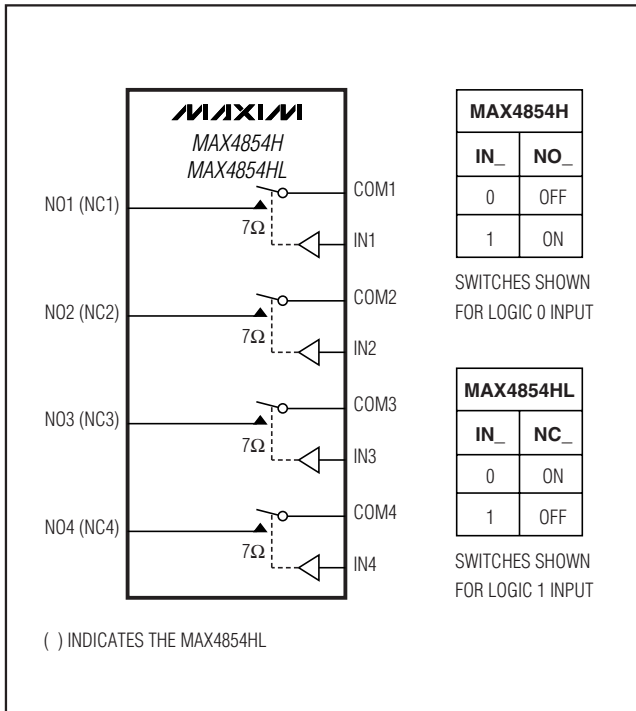
- ◆ USB 2.0 Full Speed (12MB) and USB 1.1 Signal Switching
- ◆ Overvoltage Protection if Signal Exceeds  $V_{CC}$
- ◆ 150MHz -3dB Bandwidth
- ◆ 27.5pF On-Capacitance
- ◆ +2V to +5.5V Supply Range
- ◆  $7\Omega$  On-Resistance
- ◆ Low 10 $\mu$ A Supply Current
- ◆ 1.8V Logic Compatible
- ◆ Available in a Space-Saving (3mm x 3mm) 16-Pin TQFN Package

## Ordering Information

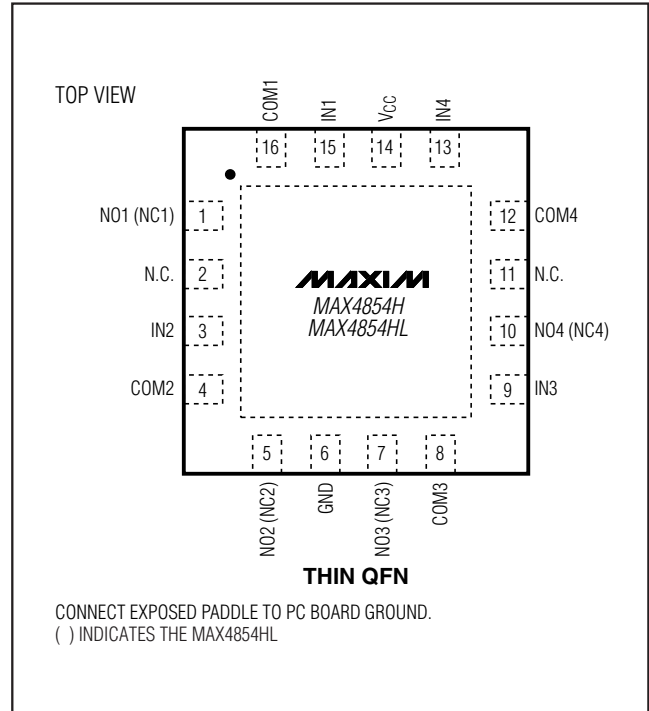
PART	TEMP RANGE	PIN-PACKAGE	TOP MARK
MAX4854HETE	-40°C to +85°C	16 TQFN-EP*	ACD
MAX4854HLETE	-40°C to +85°C	16 TQFN-EP*	ACX

\*EP = Exposed paddle.

## Block Diagram/Truth Table



## Pin Configuration



**For pricing, delivery, and ordering information, please contact Maxim/Dallas Direct! at 1-888-629-4642, or visit Maxim's website at [www.maxim-ic.com](http://www.maxim-ic.com).**

# Quad SPST, High-Bandwidth, Signal Line Protection Switch

## ABSOLUTE MAXIMUM RATINGS

$V_{CC}$ ,  $IN_{-}$ ,  $COM_{-}$ ,  $NO_{-}$ ,  $NC_{-}$  to GND (Note 1) ..... -0.3V to +6.0V  
 Closed Switch Continuous Current  $COM_{-}$ ,  $NO_{-}$ ,  $NC_{-}$  .....  $\pm 50$ mA  
 Peak Current  $COM_{-}$ ,  $NO_{-}$ ,  $NC_{-}$   
 (pulsed at 1ms, 50% duty cycle) .....  $\pm 100$ mA  
 Peak Current  $COM_{-}$ ,  $NO_{-}$ ,  $NC_{-}$   
 (pulsed at 1ms, 10% duty cycle) .....  $\pm 120$ mA

Continuous Power Dissipation ( $T_A = +70^{\circ}\text{C}$ )  
 16-Pin Thin QFN (derate 20.8mW/ $^{\circ}\text{C}$  above  $+70^{\circ}\text{C}$ ) ..... 1667mW  
 Operating Temperature Range .....  $-40^{\circ}\text{C}$  to  $+85^{\circ}\text{C}$   
 Junction Temperature .....  $+150^{\circ}\text{C}$   
 Storage Temperature Range .....  $-65^{\circ}\text{C}$  to  $+150^{\circ}\text{C}$   
 Lead Temperature (soldering, 10s) .....  $+300^{\circ}\text{C}$

**Note 1:** Signals on  $NO_{-}/NC_{-}$  or  $COM_{-}$  exceeding GND are clamped by internal diodes. Signals on  $IN$  exceeding GND are clamped by an internal diode. Limit the forward-diode current to the maximum current rating.

Stresses beyond those listed under "Absolute Maximum Ratings" may cause permanent damage to the device. These are stress ratings only, and functional operation of the device at these or any other conditions beyond those indicated in the operational sections of the specifications is not implied. Exposure to absolute maximum rating conditions for extended periods may affect device reliability.

## ELECTRICAL CHARACTERISTICS

( $V_{CC} = +2.7\text{V}$  to  $+5.5\text{V}$ ,  $T_A = -40^{\circ}\text{C}$  to  $+85^{\circ}\text{C}$ , unless otherwise noted. Typical values are at  $V_{CC} = +3.0\text{V}$ ,  $T_A = +25^{\circ}\text{C}$ , unless otherwise noted.) (Note 2)

PARAMETER	SYMBOL	CONDITIONS	MIN	TYP	MAX	UNITS
Supply Voltage	$V_{CC}$		2.0		5.5	V
Supply Current	$I_{CC}$	$V_{CC} = 5.5\text{V}$ , $V_{IN_{-}} = 0\text{V}$ or $V_{CC}$		10	20	$\mu\text{A}$
<b>ANALOG SWITCH</b>						
Analog Signal Range	$V_{NO_{-}}$ , $V_{COM_{-}}$		0		$V_{CC}$	V
On-Resistance	$R_{ON}$	$V_{CC} = 3\text{V}$ , $I_{COM_{-}} = 10\text{mA}$ , $V_{NO_{-}}$ or $V_{NC_{-}} = 0$ to $V_{CC}$	$T_A = +25^{\circ}\text{C}$	7	9	$\Omega$
			$T_A = -40^{\circ}\text{C}$ to $+85^{\circ}\text{C}$		10	
On-Resistance Match Between Channels (Notes 3, 4)	$\Delta R_{ON}$	$V_{CC} = 3\text{V}$ , $I_{COM_{-}} = 10\text{mA}$ , or $V_{NO_{-}}$ or $V_{NC_{-}} = 1.5\text{V}$	$T_A = +25^{\circ}\text{C}$	0.2	0.4	$\Omega$
			$T_A = -40^{\circ}\text{C}$ to $+85^{\circ}\text{C}$		0.5	
On-Resistance Flatness (Note 5)	$R_{FLAT}$	$V_{CC} = 3\text{V}$ , $I_{COM_{-}} = 10\text{mA}$ , $V_{NO_{-}}$ or $V_{NC_{-}} = 1\text{V}$ , $2\text{V}$ , $3\text{V}$	$T_A = +25^{\circ}\text{C}$	2.5	3.75	$\Omega$
			$T_A = -40^{\circ}\text{C}$ to $+85^{\circ}\text{C}$		4	
$NO_{-}$ or $NC_{-}$ Off-Leakage Current	$I_{OFF}$	$V_{CC} = 5.5\text{V}$ , $V_{NO_{-}}$ or $V_{NC_{-}} = 1\text{V}$ or $4.5\text{V}$ , $V_{COM_{-}} = 4.5\text{V}$ or $1\text{V}$	$T_A = +25^{\circ}\text{C}$	-2	+2	nA
			$T_A = -40^{\circ}\text{C}$ to $+85^{\circ}\text{C}$		-10	
$COM_{-}$ On-Leakage Current	$I_{ON}$	$V_{CC} = 5.5\text{V}$ ; $V_{NO_{-}}$ or $V_{NC_{-}} = 1\text{V}$ , $4.5\text{V}$ , or floating; $V_{COM_{-}} = 1\text{V}$ , $4.5\text{V}$ , or floating	$T_A = +25^{\circ}\text{C}$	-2	+2	nA
			$T_A = -40^{\circ}\text{C}$ to $+85^{\circ}\text{C}$		-12.5	
<b>DYNAMIC CHARACTERISTICS</b>						
Signal Over Rail to High-Z Switching Time		$V_{NO_{-}}$ or $V_{NC_{-}} = V_{CC}$ to $(V_{CC} + 0.5\text{V})$ , $V_{CC} < 5\text{V}$ (Figure 1)		0.5	1	$\mu\text{s}$
High-Z to Low-Z Switching Time		$V_{NO_{-}}$ or $V_{NC_{-}} = (V_{CC} + 0.5\text{V})$ to $V_{CC}$ , $V_{CC} < 5\text{V}$ (Figure 1)		0.5	1	$\mu\text{s}$
Skew (Note 3)	$t_{SKEW}$	$R_S = 39\Omega$ , $C_L = 50\text{pF}$ (Figure 2)		0.15	1	ns
Propagation Delay (Note 3)	$t_{PD}$	$R_S = 39\Omega$ , $C_L = 50\text{pF}$ (Figure 2)		0.9	2	ns
Turn-On Time	$t_{ON}$	$V_{CC} = 3\text{V}$ , $V_{NO_{-}}$ or $V_{NC_{-}} = 1.5\text{V}$ , $R_L = 300\Omega$ , $C_L = 50\text{pF}$ (Figure 1)	$T_A = +25^{\circ}\text{C}$	40	60	ns
			$T_A = -40^{\circ}\text{C}$ to $+85^{\circ}\text{C}$		100	
Turn-Off Time	$t_{OFF}$	$V_{CC} = 3\text{V}$ , $V_{NO_{-}}$ or $V_{NC_{-}} = 1.5\text{V}$ , $R_L = 300\Omega$ , $C_L = 50\text{pF}$ (Figure 1)	$T_A = +25^{\circ}\text{C}$	30	40	ns
			$T_A = -40^{\circ}\text{C}$ to $+85^{\circ}\text{C}$		60	

# Quad SPST, High-Bandwidth, Signal Line Protection Switch

MAX4854H/MAX4854HL

## ELECTRICAL CHARACTERISTICS (continued)

( $V_{CC} = +2.7V$  to  $+5.5V$ ,  $T_A = -40^\circ C$  to  $+85^\circ C$ , unless otherwise noted. Typical values are at  $V_{CC} = +3.0V$ ,  $T_A = +25^\circ C$ , unless otherwise noted.) (Note 2)

PARAMETER	SYMBOL	CONDITIONS	MIN	TYP	MAX	UNITS
Charge Injection	Q	$V_{COM\_} = 1.5V$ , $R_S = 0\Omega$ , $C_L = 1nF$ (Figure 3)		8		pC
Off-Isolation (Note 6)	$V_{ISO}$	$f = 100kHz$ , $V_{COM\_} = 1V_{RMS}$ , $R_L = 50\Omega$ , $C_L = 5pF$ (Figure 4)		-80		dB
Crosstalk	$V_{CT}$	$f = 1MHz$ , $V_{COM\_} = 1V_{RMS}$ , $R_L = 50\Omega$ , $C_L = 5pF$ (Figure 4)		-95		dB
-3dB Bandwidth	BW	Signal = 0dBm, $R_L = 50\Omega$ , $C_L = 5pF$ (Figure 4)		150		MHz
Total Harmonic Distortion	THD	$f = 20Hz$ to $20kHz$ , $V_{COM\_} = 1V + 2V_{P-P}$ , $R_L = 600\Omega$		0.04		%
NO_ Off-Capacitance	$C_{OFF}$	$f = 1MHz$ (Figure 5)		12		pF
COM On-Capacitance	$C_{ON}$	$f = 1MHz$ (Figure 5)		27.5		pF
<b>DIGITAL I/O (IN_)</b>						
Input-Logic High Voltage	$V_{IH}$	$V_{CC} = 2V$ to $3.6V$	1.4			V
		$V_{CC} = 3.6V$ to $5.5V$	1.8			
Input-Logic Low Voltage	$V_{IL}$	$V_{CC} = 2V$ to $3.6V$			0.5	V
		$V_{CC} = 3.6V$ to $5.5V$			0.8	
Input Leakage Current	$I_{IN}$	$V_{IN\_} = 0$ or $5.5V$	-0.5		+0.5	$\mu A$

**Note 2:** Specifications are 100% tested at  $T_A = +85^\circ C$  only, and guaranteed by design and characterization over the specified temperature range.

**Note 3:** Guaranteed by design and characterization; not production tested.

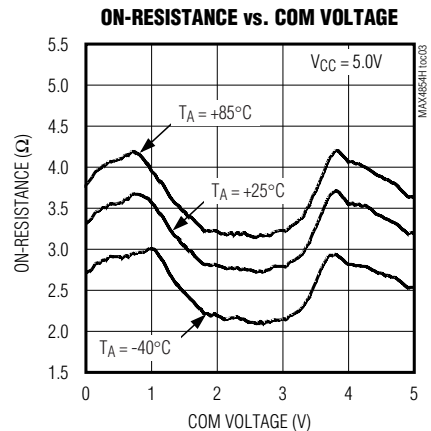
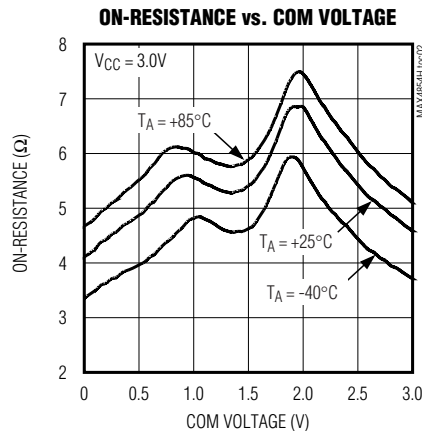
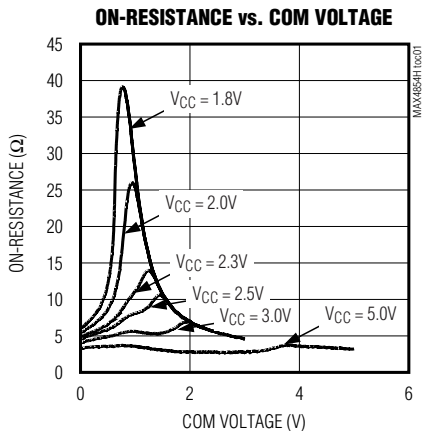
**Note 4:**  $\Delta R_{ON} = R_{ON(MAX)} - R_{ON(MIN)}$ .

**Note 5:** Flatness is defined as the difference between the maximum and minimum value of on-resistance as measured over the specified analog signal ranges.

**Note 6:** Off-Isolation =  $20\log_{10}(V_{COM\_} / V_{NO\_})$ ,  $V_{COM\_}$  = output,  $V_{NO\_}$  = input to off switch.

## Typical Operating Characteristics

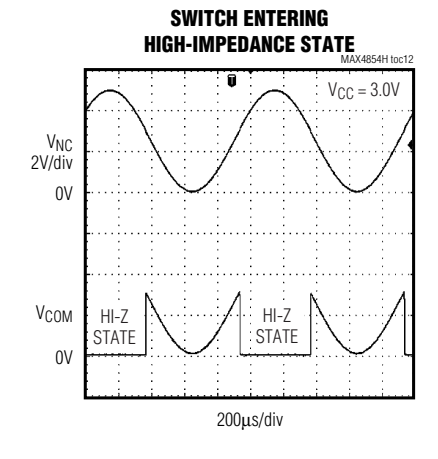
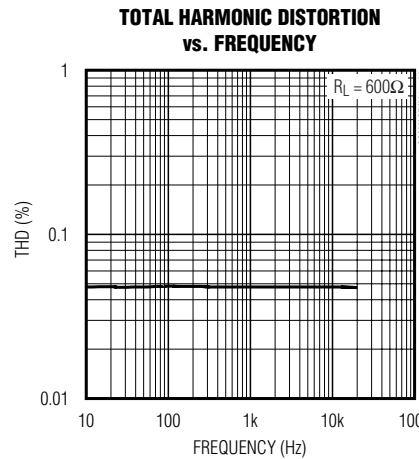
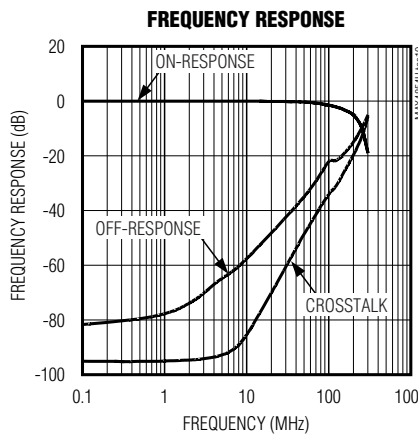
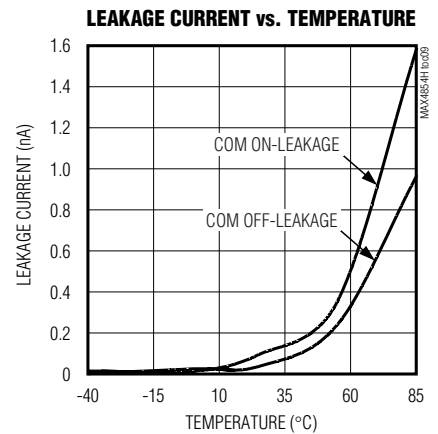
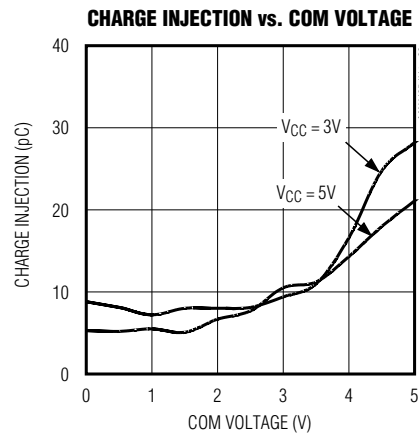
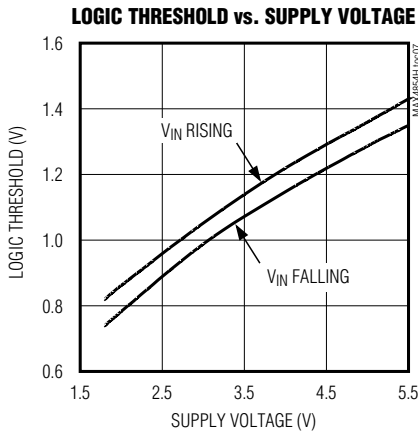
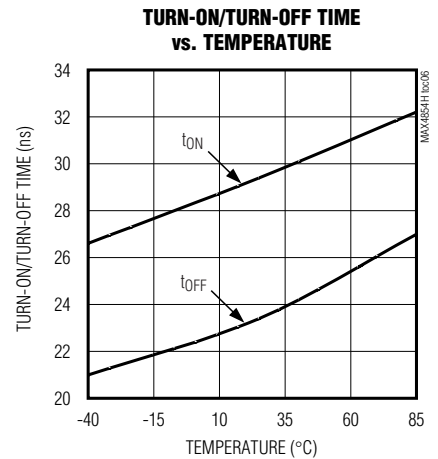
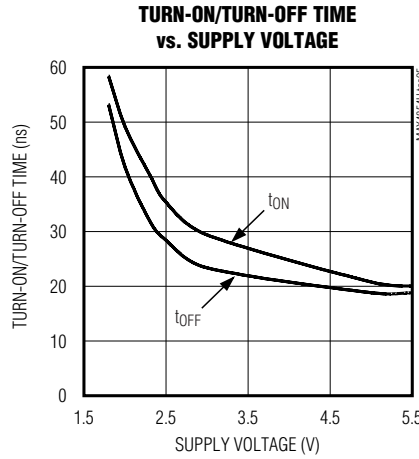
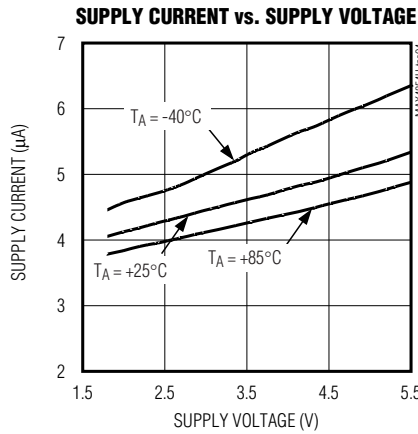
( $V_{CC} = 3.0V$ ,  $T_A = +25^\circ C$ , unless otherwise noted.)



# Quad SPST, High-Bandwidth, Signal Line Protection Switch

## Typical Operating Characteristics (continued)

( $V_{CC} = 3.0V$ ,  $T_A = +25^\circ C$ , unless otherwise noted.)



# Quad SPST, High-Bandwidth, Signal Line Protection Switch

## Pin Description

MAX4854H/MAX4854HL

PIN	NAME	FUNCTION
1, 5, 7, 10	NO1, NO2, NO3, NO4	Normally Open Terminals for Analog Switch (MAX4854H)
1, 5, 7, 10	NC1, NC2, NC3, NC4	Normally Closed Terminals for Analog Switch (MAX4854HL)
2, 11	N.C.	No Connection. Internally not connected.
3	IN2	Digital Control Input for Analog Switch 2. A logic-low (MAX4854H) or logic-high (MAX4854HL) on IN2 opens switch 2 and a logic-high (MAX4854H) or logic-low (MAX4854HL) on IN2 connects COM2 to NO2.
4	COM2	Common Terminal for Analog Switch 2
6	GND	Ground
8	COM3	Common Terminal for Analog Switch 3
9	IN3	Digital Control Input for Analog Switch 3. A logic-low (MAX4854H) or logic-high (MAX4854HL) on IN3 opens switch 3 and a logic-high (MAX4854H) or logic-low (MAX4854HL) on IN3 connects COM3 to NO3.
12	COM4	Common Terminal for Analog Switch 4
13	IN4	Digital Control Input for Analog Switch 4. A logic-low (MAX4854H) or logic-high (MAX4854HL) on IN4 opens switch 4 and a logic-high (MAX4854H) or logic-low (MAX4854HL) on IN4 connects COM4 to NO4.
14	V <sub>CC</sub>	Supply Voltage. Bypass V <sub>CC</sub> to GND with a 0.01μF capacitor as close to the pin as possible.
15	IN1	Digital Control Input for Analog Switch 1. A logic-low (MAX4854H) or logic-high (MAX4854HL) on IN1 opens switch 1 and a logic-high (MAX4854H) or logic-low (MAX4854HL) on IN1 connects COM1 to NO1.
16	COM1	Common Terminal for Analog Switch 1
—	EP	Exposed Paddle. Connect to PC board ground plane.

## Detailed Description

The MAX4854H/MAX4854HL quad SPST switches have low on-resistance, operate from a +2V to +5.5V supply, and are fully specified for nominal 3.0V applications. These devices feature overvoltage protection by putting the switch into high-impedance mode when the switch input exceeds V<sub>CC</sub>.

These switches have low 27.5pF on-channel capacitance, which allows for 12Mbps switching of the data signals for USB 2.0 full speed/1.1 applications. The MAX4854H/MAX4854HL are designed to switch D+ and D- USB signals with a guaranteed skew of less than 1ns (see Figure 2) as measured from 50% of the input signal to 50% of the output signal.

## Applications Information

### Digital Control Inputs

The logic inputs (IN<sub>n</sub>) accept up to +5.5V even if the supply voltages are below this level. For example, with a +3.3V V<sub>CC</sub> supply, IN<sub>n</sub> can be driven low to GND and

high to +5.5V, allowing for mixing of logic levels in a system. Driving IN<sub>n</sub> rail-to-rail minimizes power consumption. For a +2V supply voltage, the logic thresholds are 0.5V (low) and 1.4V (high); for a +5V supply voltage, the logic thresholds are 0.8V (low) and 1.8V (high).

### Analog Signal Levels

The on-resistance of these switches changes very little for analog input signals across the entire supply voltage range (see the *Typical Operating Characteristics*). The switches are bidirectional, so the NO<sub>n</sub> and COM<sub>n</sub> pins can be either inputs or outputs.

### Power-Supply Sequencing

**Caution:** Do not exceed the absolute maximum ratings because stresses beyond the listed ratings may cause permanent damage to the device.

Proper power-supply sequencing is recommended for all CMOS devices. Always apply V<sub>CC</sub> before applying analog signals, especially if the analog signal is not current limited.

# Quad SPST, High-Bandwidth, Signal Line Protection Switch

## Test Circuits/Timing Diagrams

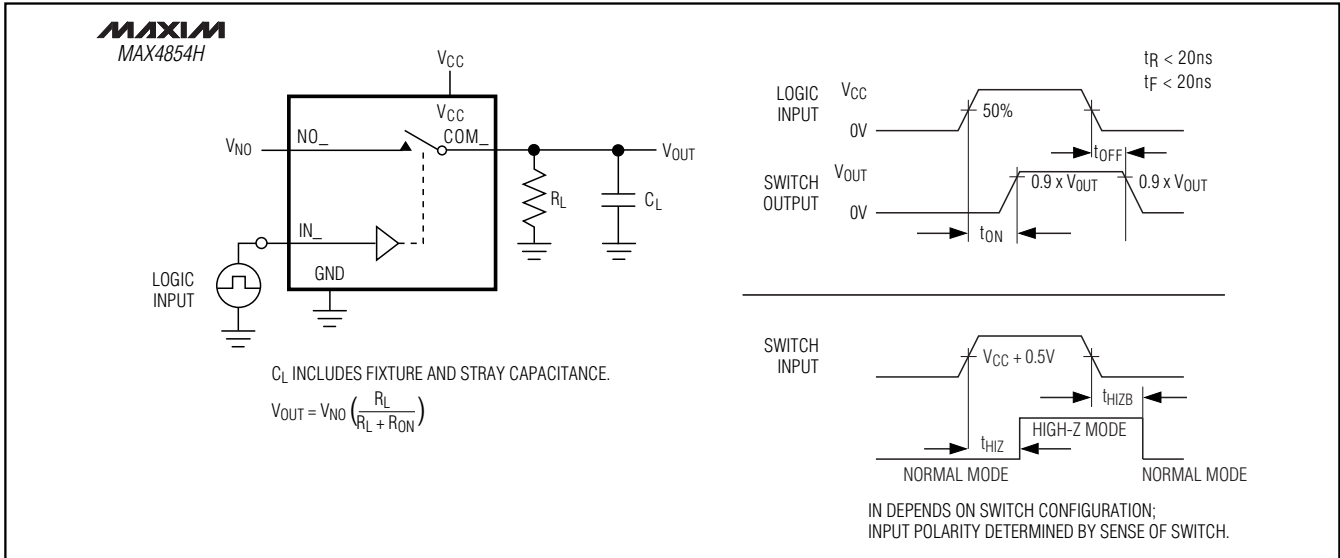


Figure 1. Switching Time

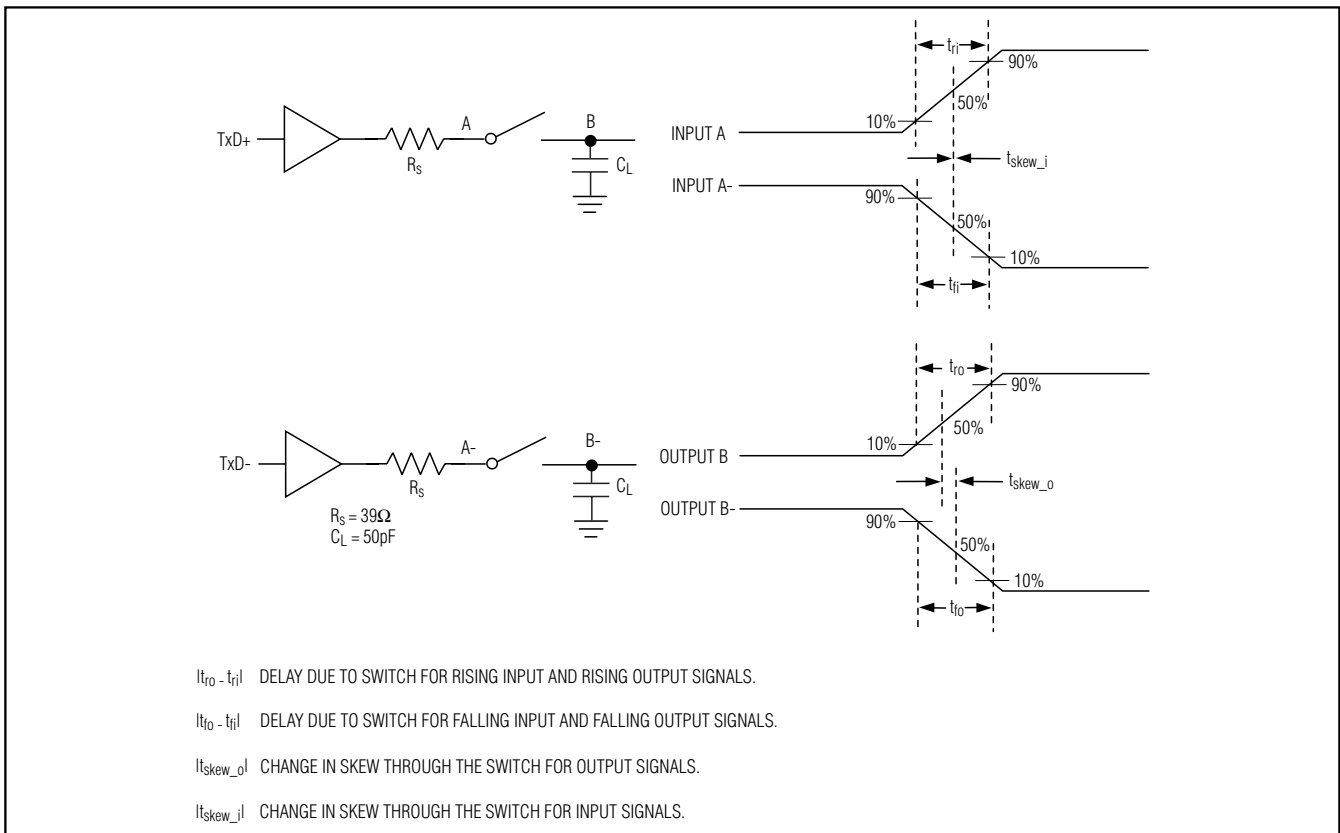


Figure 2. Output Signal Skew

# Quad SPST, High-Bandwidth, Signal Line Protection Switch

**MAX4854H/MAX4854HL**

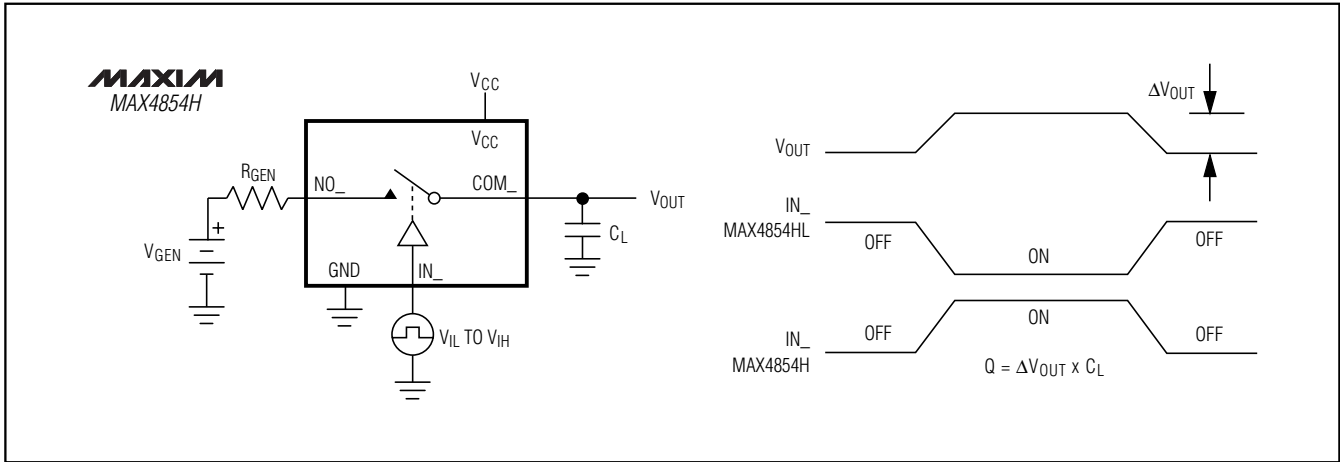


Figure 3. Charge Injection

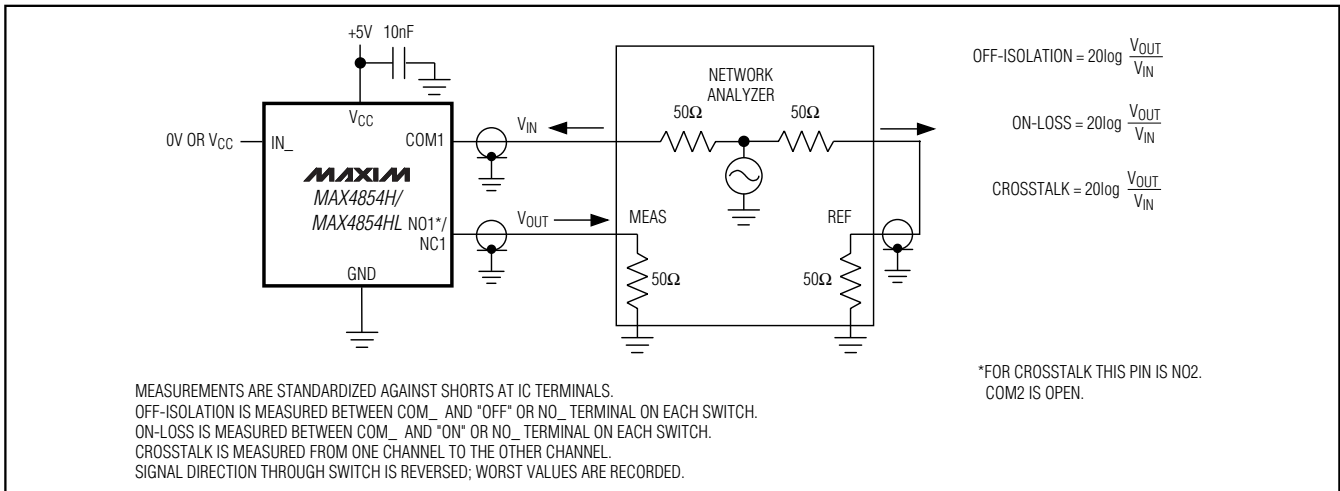


Figure 4. On-Loss, Off-Isolation, and Crosstalk

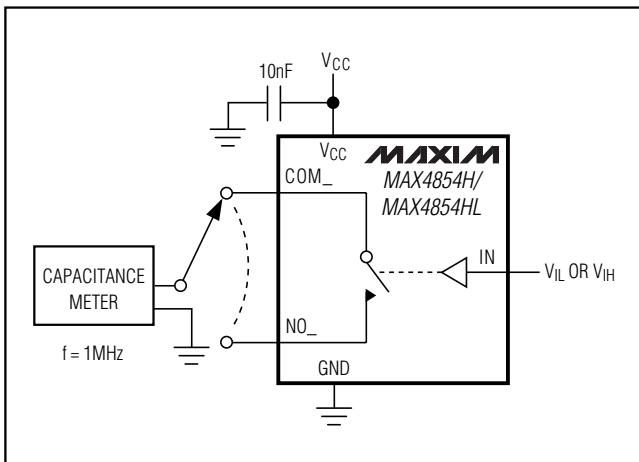


Figure 5. Channel Off-/On-Capacitance

## Chip Information

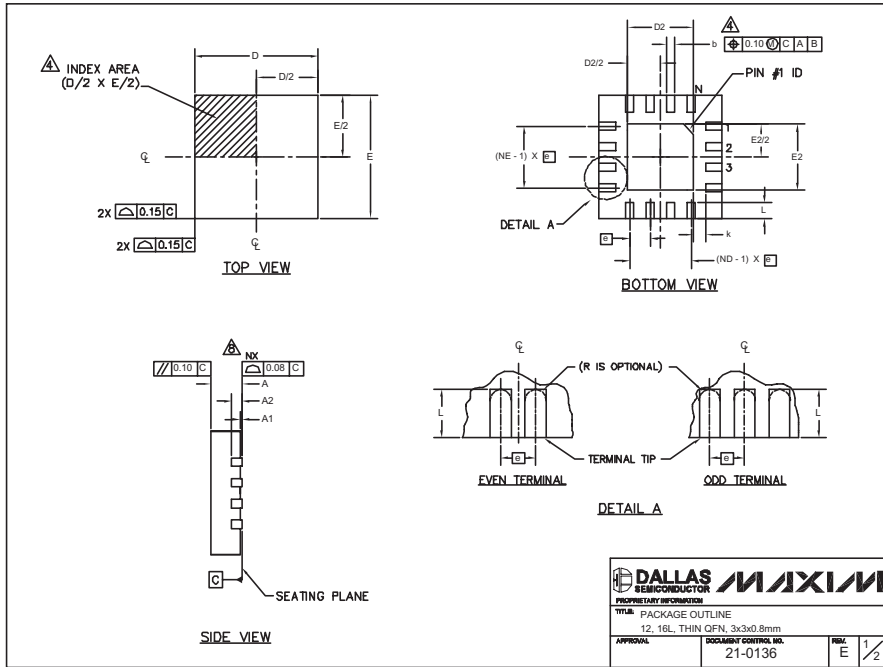
TRANSISTOR COUNT: 735

PROCESS: CMOS

# Quad SPST, High-Bandwidth, Signal Line Protection Switch

## Package Information

(The package drawing(s) in this data sheet may not reflect the most current specifications. For the latest package outline information go to [www.maxim-ic.com/packages](http://www.maxim-ic.com/packages).)



PKG REF.	12L 3x3			16L 3x3		
	MIN.	NOM.	MAX.	MIN.	NOM.	MAX.
A	0.70	0.75	0.80	0.70	0.75	0.80
b	0.30	0.25	0.30	0.20	0.25	0.30
D	2.90	3.00	3.10	2.90	3.00	3.10
E	2.90	3.00	3.10	2.90	3.00	3.10
a	0.50 BSC.					
L	0.45	0.55	0.65	0.30	0.40	0.50
N	12			16		
ND	3			4		
NE	3			4		
A1	0	0.02	0.05	0	0.02	0.05
A2	0.20 REF					
K	0.25	-	-	0.25	-	-

PKG CODES	D2			E2			PIN ID	JEDEC	DOWN BONDS ALLOWED
	MIN.	NOM.	MAX.	MIN.	NOM.	MAX.			
T1233-1	0.95	1.10	1.25	0.95	1.10	1.25	0.35 x 45°	WEED-1	NO
T1233-3	0.95	1.10	1.25	0.95	1.10	1.25	0.35 x 45°	WEED-1	YES
T1833-1	0.85	1.10	1.25	0.85	1.10	1.25	0.35 x 45°	WEED-2	NO
T1833-2	0.85	1.10	1.25	0.95	1.10	1.25	0.35 x 45°	WEED-2	YES
T1833F-3	0.85	0.90	0.95	0.85	0.80	0.85	0.225 x 45°	WEED-2	N/A
T1833-4	0.85	1.10	1.25	0.95	1.10	1.25	0.35 x 45°	WEED-2	NO

**NOTES:**

- DIMENSIONING & TOLERANCING CONFORM TO ASME Y14.5M-1994.
- ALL DIMENSIONS ARE IN MILLIMETERS. ANGLES ARE IN DEGREES.
- N IS THE TOTAL NUMBER OF TERMINALS.
- THE TERMINAL #1 IDENTIFIER AND TERMINAL NUMBERING CONVENTION SHALL CONFORM TO JEDEC 95-1 SPP-012. DETAILS OF TERMINAL #1 IDENTIFIER ARE OPTIONAL, BUT MUST BE LOCATED WITHIN THE ZONE INDICATED. THE TERMINAL #1 IDENTIFIER MAY BE EITHER A MOLD OR MARKED FEATURE.
- DIMENSION b APPLIES TO METALLIZED TERMINAL AND IS MEASURED BETWEEN 0.20 mm AND 0.25 mm FROM TERMINAL TIP.
- ND AND NE REFER TO THE NUMBER OF TERMINALS ON EACH D AND E SIDE RESPECTIVELY.
- DEPOPULATION IS POSSIBLE IN A SYMMETRICAL FASHION.
- COPLANARITY APPLIES TO THE EXPOSED HEAT SINK SLUG AS WELL AS THE TERMINALS.
- DRAWING CONFORMS TO JEDEC MO220 REVISION C.

**DALLAS SEMICONDUCTOR MAXIM**

**PROPRIETARY INFORMATION**

**TITLE:** PACKAGE OUTLINE  
12, 16L, THIN OFN, 3x3x0.8mm

**APPROVAL:** DOCUMENT CONTROL NO. 21-0136 REV. E 2/2

Maxim cannot assume responsibility for use of any circuitry other than circuitry entirely embodied in a Maxim product. No circuit patent licenses are implied. Maxim reserves the right to change the circuitry and specifications without notice at any time.

8 **Maxim Integrated Products, 120 San Gabriel Drive, Sunnyvale, CA 94086 408-737-7600**



SITE  
SEARCHPART NO.  
SEARCH

WHAT'S NEW

PRODUCTS

SOLUTIONS

DESIGN

APPNOTES

SUPPORT

BUY

COMPANY

MEMBERS

## MAX4854H

### Part Number Table

#### Notes:

1. See the [MAX4854H QuickView Data Sheet](#) for further information on this product family or download the [MAX4854H full data sheet](#) (PDF, 280kB).
2. Other options and links for purchasing parts are listed at: <http://www.maxim-ic.com/sales>.
3. [Didn't Find What You Need?](#) Ask our applications engineers. Expert assistance in finding parts, usually within one business day.
4. Part number suffixes: T or T&R = tape and reel; + = RoHS/lead-free; # = RoHS/lead-exempt. More: See [full data sheet](#) or [Part Naming Conventions](#).
5. \* Some packages have variations, listed on the drawing. "PkgCode/Variation" tells which variation the product uses.

Part Number	Free Sample	Buy Direct	Package: TYPE PINS SIZE DRAWING CODE/VAR *	Temp	RoHS/Lead-Free? Materials Analysis
MAX4854HETE+	<input type="checkbox"/>	<input type="checkbox"/>	THIN QFN;16 pin;3X3X0.8mm Dwg: <a href="#">21-0136I</a> (PDF) Use pkgcode/variation: T1633+4*	-40C to +85C	RoHS/Lead-Free: <a href="#">Yes</a> <a href="#">Materials Analysis</a>
MAX4854HETE+T	<input type="checkbox"/>	<input type="checkbox"/>	THIN QFN;16 pin;3X3X0.8mm Dwg: <a href="#">21-0136I</a> (PDF) Use pkgcode/variation: T1633+4*	-40C to +85C	RoHS/Lead-Free: <a href="#">Yes</a> <a href="#">Materials Analysis</a>
MAX4854HETE	<input type="checkbox"/>	<input type="checkbox"/>	THIN QFN;16 pin;3X3X0.8mm Dwg: <a href="#">21-0136I</a> (PDF) Use pkgcode/variation: T1633-4*	-40C to +85C	RoHS/Lead-Free: <a href="#">No</a> <a href="#">Materials Analysis</a>
MAX4854HETE-T	<input type="checkbox"/>	<input type="checkbox"/>		-40C to +85C	RoHS/Lead-Free: <a href="#">No</a>

[Didn't Find What You Need?](#)[CONTACT US: SEND US AN EMAIL](#)