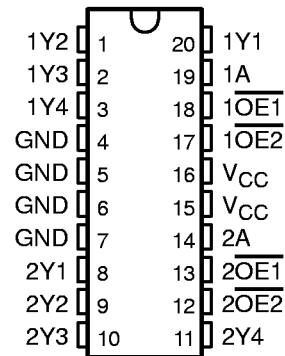


# CDC208, CDC208-7 DUAL 1-LINE TO 4-LINE CLOCK DRIVERS WITH 3-STATE OUTPUTS

SCAS109E – APRIL 1990 – REVISED MAY 1997

- Low-Skew Propagation Delay Specifications for Clock-Driver Applications
- TTL-Compatible Inputs and CMOS-Compatible Outputs
- Flow-Through Architecture Optimizes PCB Layout
- Center-Pin  $V_{CC}$  and GND Pin Configurations Minimize High-Speed Switching Noise
- EPIC™ (Enhanced-Performance Implanted CMOS) 1- $\mu$ m Process
- 500-mA Typical Latch-Up Immunity at 125°C
- Package Options Include Plastic Small-Outline (DW) and Shrink Small-Outline (DB) Packages and Standard Plastic 300-mil DIPs (N)

DB, DW, OR N PACKAGE  
(TOP VIEW)



## description

The CDC208/208-7 contains dual clock-driver circuits that fanout one input signal to four outputs with minimum skew for clock distribution (see Figure 2). The device also offers two output-enable ( $\overline{OE1}$  and  $\overline{OE2}$ ) inputs for each circuit that can force the outputs to be disabled to a high-impedance state or to a high- or low-logic level independent of the signal on the respective A input.

Skew parameters are specified for a reduced temperature and voltage range common to many applications.

The CDC208/208-7 is characterized for operation from  $-40^{\circ}\text{C}$  to  $85^{\circ}\text{C}$ .

FUNCTION TABLES

| INPUTS            |                   |    | OUTPUTS |     |     |     |
|-------------------|-------------------|----|---------|-----|-----|-----|
| $\overline{1OE1}$ | $\overline{1OE2}$ | 1A | 1Y1     | 1Y2 | 1Y3 | 1Y4 |
| L                 | L                 | L  | L       | L   | L   | L   |
| L                 | L                 | H  | H       | H   | H   | H   |
| L                 | H                 | X  | L       | L   | L   | L   |
| H                 | L                 | X  | H       | H   | H   | H   |
| H                 | H                 | X  | Z       | Z   | Z   | Z   |

| INPUTS            |                   |    | OUTPUTS |     |     |     |
|-------------------|-------------------|----|---------|-----|-----|-----|
| $\overline{2OE1}$ | $\overline{2OE2}$ | 2A | 2Y1     | 2Y2 | 2Y3 | 2Y4 |
| L                 | L                 | L  | L       | L   | L   | L   |
| L                 | L                 | H  | H       | H   | H   | H   |
| L                 | H                 | X  | L       | L   | L   | L   |
| H                 | L                 | X  | H       | H   | H   | H   |
| H                 | H                 | X  | Z       | Z   | Z   | Z   |



Please be aware that an important notice concerning availability, standard warranty, and use in critical applications of Texas Instruments semiconductor products and disclaimers thereto appears at the end of this data sheet.

EPIC is a trademark of Texas Instruments Incorporated.

PRODUCTION DATA information is current as of publication date. Products conform to specifications per the terms of Texas Instruments standard warranty. Production processing does not necessarily include testing of all parameters.



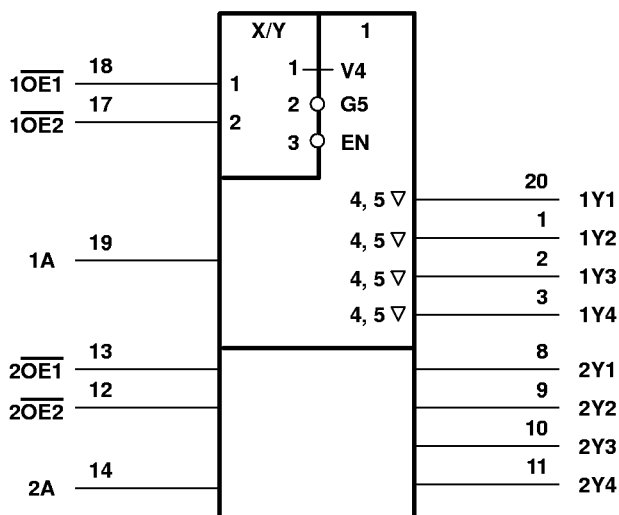
POST OFFICE BOX 655303 • DALLAS, TEXAS 75265

Copyright © 1997, Texas Instruments Incorporated

# CDC208, CDC208-7 DUAL 1-LINE TO 4-LINE CLOCK DRIVERS WITH 3-STATE OUTPUTS

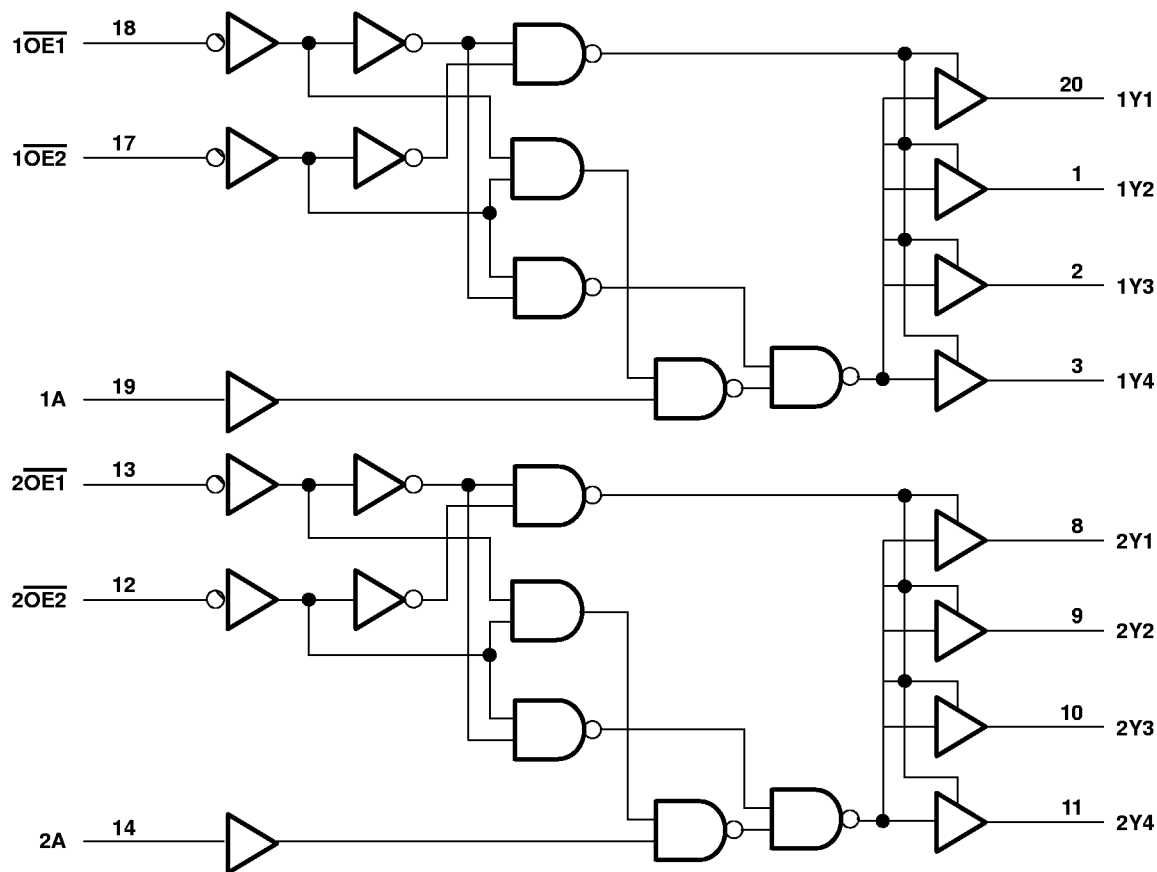
SCAS109E - APRIL 1990 - REVISED MAY 1997

## logic symbol†



† This symbol is in accordance with ANSI/IEEE Std 91-1984 and IEC Publication 617-12.

## logic diagram (positive logic)



**CDC208, CDC208-7**  
**DUAL 1-LINE TO 4-LINE CLOCK DRIVERS**  
**WITH 3-STATE OUTPUTS**

SCAS109E – APRIL 1990 – REVISED MAY 1997

**absolute maximum ratings over operating free-air temperature range (unless otherwise noted)†**

|                                                                                    |                            |        |
|------------------------------------------------------------------------------------|----------------------------|--------|
| Supply voltage range, $V_{CC}$ .....                                               | –0.5 V to 7 V              |        |
| Input voltage range, $V_I$ (see Note 1) .....                                      | –0.5 V to $V_{CC} + 0.5$ V |        |
| Output voltage range, $V_O$ (see Note 1) .....                                     | –0.5 V to $V_{CC} + 0.5$ V |        |
| Input clamp current, $I_{IK}$ ( $V_I < 0$ or $V_I > V_{CC}$ ) .....                | ±20 mA                     |        |
| Output clamp current, $I_{OK}$ ( $V_O < 0$ or $V_O > V_{CC}$ ) .....               | ±50 mA                     |        |
| Continuous output current, $I_O$ ( $V_O = 0$ to $V_{CC}$ ) .....                   | ±50 mA                     |        |
| Continuous current through $V_{CC}$ or GND .....                                   | ±200 mA                    |        |
| Maximum power dissipation at $T_A = 55^\circ\text{C}$ (in still air) (see Note 2): | DB package .....           | 0.62 W |
|                                                                                    | DW package .....           | 1.6 W  |
|                                                                                    | N package .....            | 1.3 W  |
| Storage temperature range .....                                                    | –65°C to 150°C             |        |

† Stresses beyond those listed under “absolute maximum ratings” may cause permanent damage to the device. These are stress ratings only, and functional operation of the device at these or any other conditions beyond those indicated under “recommended operating conditions” is not implied. Exposure to absolute-maximum-rated conditions for extended periods may affect device reliability.

- NOTES: 1. The input and output negative-voltage ratings may be exceeded if the input and output clamp-current ratings are observed.  
2. The maximum package power dissipation is calculated using a junction temperature of 150°C and a board trace length of 750 mils, except for the N package, which has a trace length of zero. For more information, refer to the *Package Thermal Considerations* application note in the 1994 *ABT Advanced BiCMOS Technology Data Book*, literature number SCBD002B.

**recommended operating conditions**

|                                                        | MIN | NOM | MAX      | UNIT |
|--------------------------------------------------------|-----|-----|----------|------|
| $V_{CC}$ Supply voltage                                | 4.5 | 5   | 5.5      | V    |
| $V_{IH}$ High-level input voltage                      | 2   |     |          | V    |
| $V_{IL}$ Low-level input voltage                       |     |     | 0.8      | V    |
| $V_I$ Input voltage                                    | 0   |     | $V_{CC}$ | V    |
| $I_{OH}$ High-level output current                     |     |     | –24      | mA   |
| $I_{OL}$ Low-level output current                      |     |     | 24       | mA   |
| $\Delta t/\Delta v$ Input transition rise or fall rate | 0   |     | 10       | ns/V |
| $f_{clock}$ Input clock frequency                      |     |     | 60       | MHz  |
| $T_A$ Operating free-air temperature                   | –40 |     | 85       | °C   |



**CDC208, CDC208-7**  
**DUAL 1-LINE TO 4-LINE CLOCK DRIVERS**  
**WITH 3-STATE OUTPUTS**

SCAS109E – APRIL 1990 – REVISED MAY 1997

**electrical characteristics over recommended operating free-air temperature range (unless otherwise noted)**

| PARAMETER                     | TEST CONDITIONS                                               | V <sub>CC</sub> | T <sub>A</sub> = 25°C |     |     | CDC208 |     | CDC208-7 |     | UNIT |
|-------------------------------|---------------------------------------------------------------|-----------------|-----------------------|-----|-----|--------|-----|----------|-----|------|
|                               |                                                               |                 | MIN                   | TYP | MAX | MIN    | MAX | MIN      | MAX |      |
| V <sub>OH</sub>               | I <sub>OH</sub> = -50 μA                                      | 4.5 V           | 4.4                   |     |     | 4.4    |     | 4.4      |     | V    |
|                               |                                                               | 5.5 V           | 5.4                   |     |     | 5.4    |     | 5.4      |     |      |
|                               | I <sub>OH</sub> = -24 mA                                      | 4.5 V           | 3.94                  |     |     | 3.8    |     | 3.8      |     |      |
|                               |                                                               | 5.5 V           | 4.94                  |     |     | 4.8    |     | 4.8      |     |      |
|                               | I <sub>OH</sub> = -75 mA <sup>†</sup>                         | 5.5 V           |                       |     |     | 3.85   |     | 3.85     |     |      |
| V <sub>OL</sub>               | I <sub>OL</sub> = 50 μA                                       | 4.5 V           | 0.1                   |     |     | 0.1    |     | 0.1      |     | V    |
|                               |                                                               | 5.5 V           | 0.1                   |     |     | 0.1    |     | 0.1      |     |      |
|                               | I <sub>OL</sub> = 24 mA                                       | 4.5 V           | 0.36                  |     |     | 0.44   |     | 0.44     |     |      |
|                               |                                                               | 5.5 V           | 0.36                  |     |     | 0.44   |     | 0.44     |     |      |
|                               | I <sub>OL</sub> = 75 mA <sup>†</sup>                          | 5.5 V           |                       |     |     | 1.65   |     | 1.65     |     |      |
| I <sub>I</sub>                | V <sub>I</sub> = V <sub>CC</sub> or GND                       | 5.5 V           | ±0.1                  |     |     | ±1     |     | ±1       |     | μA   |
| I <sub>OZ</sub>               | V <sub>O</sub> = V <sub>CC</sub> or GND                       | 5.5 V           | ±0.5                  |     |     | ±5     |     | ±5       |     | μA   |
| I <sub>CC</sub>               | V <sub>I</sub> = V <sub>CC</sub> or GND, I <sub>O</sub> = 0   | 5.5 V           | 8                     |     |     | 80     |     | 80       |     | μA   |
| ΔI <sub>CC</sub> <sup>‡</sup> | One input at 3.4 V,<br>Other inputs at V <sub>CC</sub> or GND | 5.5 V           | 0.9                   |     |     | 1      |     | 1        |     | mA   |
| C <sub>i</sub>                | V <sub>I</sub> = V <sub>CC</sub> or GND                       | 5 V             | 4                     |     |     |        |     |          |     | pF   |
| C <sub>o</sub>                | V <sub>O</sub> = V <sub>CC</sub> or GND                       | 5 V             | 10                    |     |     |        |     |          |     | pF   |

<sup>†</sup> Not more than one output should be tested at a time, and the duration of the test should not exceed 10 ms.

<sup>‡</sup> This is the increase in supply current for each input that is at one of the specified TTL voltage levels rather than 0 V or V<sub>CC</sub>.



**CDC208, CDC208-7**  
**DUAL 1-LINE TO 4-LINE CLOCK DRIVERS**  
**WITH 3-STATE OUTPUTS**

SCAS109E – APRIL 1990 – REVISED MAY 1997

switching characteristics over recommended operating free-air temperature range,  
 $V_{CC} = 5\text{ V} \pm 0.5\text{ V}$  (unless otherwise noted) (see Figure 1)

| PARAMETER | FROM (INPUT)                                                                      | TO (OUTPUT) | $T_A = 25^\circ\text{C}$ |     |      | CDC208 |      | CDC208-7 |      | UNIT |
|-----------|-----------------------------------------------------------------------------------|-------------|--------------------------|-----|------|--------|------|----------|------|------|
|           |                                                                                   |             | MIN                      | TYP | MAX  | MIN    | MAX  | MIN      | MAX  |      |
| $t_{PLH}$ | 1A and 2A                                                                         | Any Y       | 5.3                      | 8.5 | 10.9 | 5.3    | 11.7 | 5.3      | 11.7 | ns   |
| $t_{PHL}$ |                                                                                   |             | 3.6                      | 7.7 | 11   | 3.6    | 11.5 | 3.6      | 11.5 |      |
| $t_{PLH}$ | $\overline{1OE1}$ , $\overline{1OE2}$ , and $\overline{2OE1}$ , $\overline{2OE2}$ | Any Y       | 4.7                      | 8.5 | 11.7 | 4.7    | 12.8 | 4.7      | 12.8 | ns   |
| $t_{PHL}$ |                                                                                   |             | 4.4                      | 8.4 | 11.3 | 4.4    | 12.4 | 4.4      | 12.4 |      |
| $t_{PZH}$ | $\overline{1OE2}$ or $\overline{2OE2}$                                            | Any Y       | 4.4                      | 8.1 | 11.3 | 4.4    | 12.4 | 4.4      | 12.4 | ns   |
| $t_{PZL}$ | $\overline{1OE1}$ or $\overline{2OE1}$                                            |             | 5                        | 9.6 | 13.3 | 5      | 14.9 | 5        | 14.9 |      |
| $t_{PHZ}$ | $\overline{1OE2}$ or $\overline{2OE2}$                                            | Any Y       | 4.2                      | 7.4 | 9.3  | 4.2    | 10.2 | 4.2      | 10.2 | ns   |
| $t_{PLZ}$ | $\overline{1OE1}$ or $\overline{2OE1}$                                            |             | 5.4                      | 7.5 | 9.2  | 5.4    | 9.9  | 5.4      | 9.9  |      |

switching characteristics,  $V_{CC} = 5\text{ V} \pm 0.25\text{ V}$ ,  $T_A = 25^\circ\text{C}$  to  $70^\circ\text{C}$  (see Note 2 and Figures 1 and 2)

| PARAMETER   | FROM (INPUT) | TO (OUTPUT) | CDC208 |      | CDC208-7 |      | UNIT |
|-------------|--------------|-------------|--------|------|----------|------|------|
|             |              |             | MIN    | MAX  | MIN      | MAX  |      |
| $t_{PLH}$   | 1A and 2A    | Any Y       | 6.6    | 10.2 | 6.6      | 10.2 | ns   |
| $t_{PHL}$   |              |             | 6.6    | 9.8  | 6.6      | 9.8  |      |
| $t_{sk(o)}$ | 1A and 2A    | Any Y       |        | 1    |          | 0.7  | ns   |

NOTE 3: All specifications are valid only for all outputs switching simultaneously and in phase.

operating characteristics,  $V_{CC} = 5\text{ V}$ ,  $T_A = 25^\circ\text{C}$

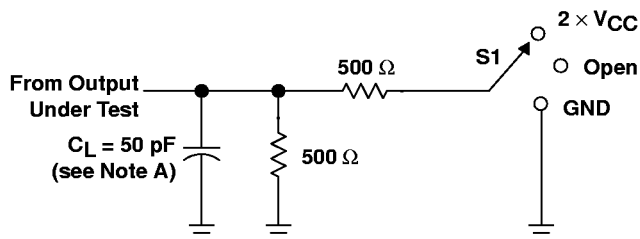
| PARAMETER |                                        | TEST CONDITIONS  | TYP | UNIT |
|-----------|----------------------------------------|------------------|-----|------|
| $C_{pd}$  | Power dissipation capacitance per bank | Outputs enabled  | 96  | pF   |
|           |                                        | Outputs disabled | 12  |      |



# CDC208, CDC208-7 DUAL 1-LINE TO 4-LINE CLOCK DRIVERS WITH 3-STATE OUTPUTS

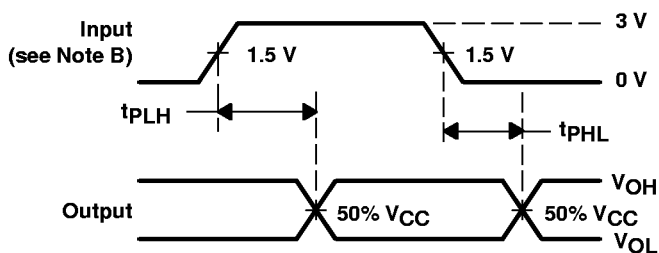
SCAS109E – APRIL 1990 – REVISED MAY 1997

## PARAMETER MEASUREMENT INFORMATION

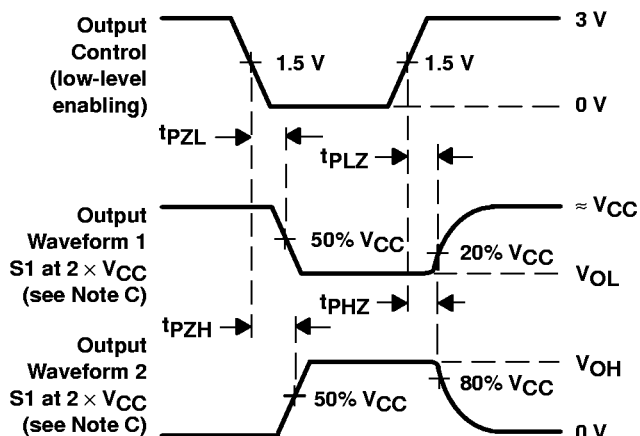


(see Note A) LOAD CIRCUIT FOR OUTPUTS

| TEST              | S1                |
|-------------------|-------------------|
| $t_{PLH}/t_{PHL}$ | Open              |
| $t_{PLZ}/t_{PZL}$ | $2 \times V_{CC}$ |
| $t_{PHZ}/t_{PZH}$ | GND               |



VOLTAGE WAVEFORMS  
PROPAGATION DELAY TIMES

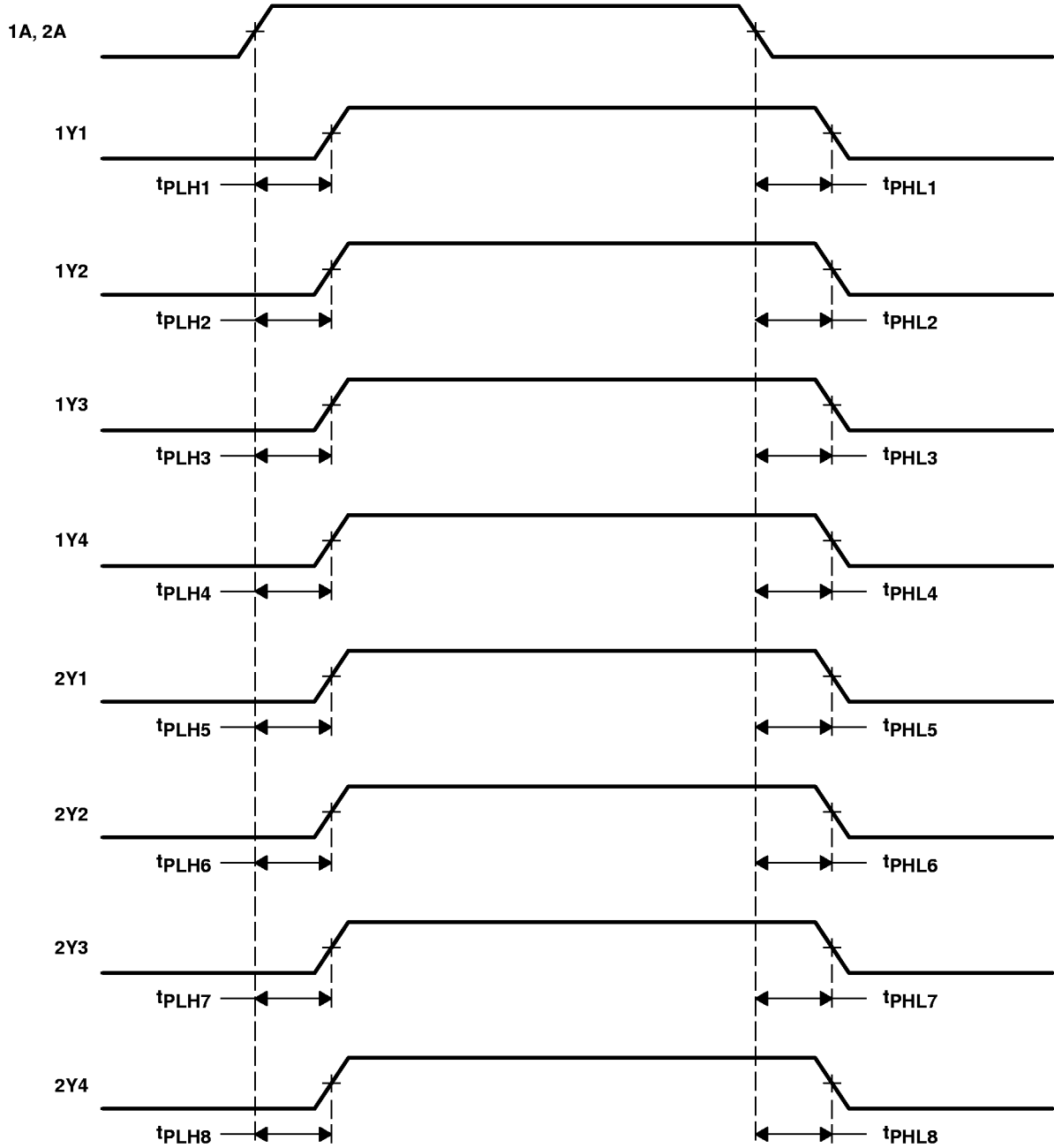


VOLTAGE WAVEFORMS  
ENABLE AND DISABLE TIMES

- NOTES: A.  $C_L$  includes probe and jig capacitance.  
 B. All input pulses are supplied by generators having the following characteristics:  $PRR \leq 10$  MHz,  $Z_O = 50 \Omega$ ,  $t_r \leq 3$  ns,  $t_f \leq 3$  ns. For testing pulse duration:  $t_r = t_f = 1$  to 3 ns. Pulse polarity can be either high-to-low-to-high or low-to-high-to-low.  
 C. Waveform 1 is for an output with internal conditions such that the output is low except when disabled by the output control. Waveform 2 is for an output with internal conditions such that the output is high except when disabled by the output control.

Figure 1. Load Circuit and Voltage Waveforms

PARAMETER MEASUREMENT INFORMATION



NOTE D: Output skew,  $t_{sk(o)}$ , is calculated as the greater of:

- The difference between the fastest and slowest of  $t_{PLHn}$  ( $n = 1, 2, \dots, 8$ )
- The difference between the fastest and slowest of  $t_{PHLn}$  ( $n = 1, 2, \dots, 8$ )

Figure 2. Waveforms for Calculation of  $t_{sk(o)}$

# CDC208, CDC208-7 DUAL 1-LINE TO 4-LINE CLOCK DRIVERS WITH 3-STATE OUTPUTS

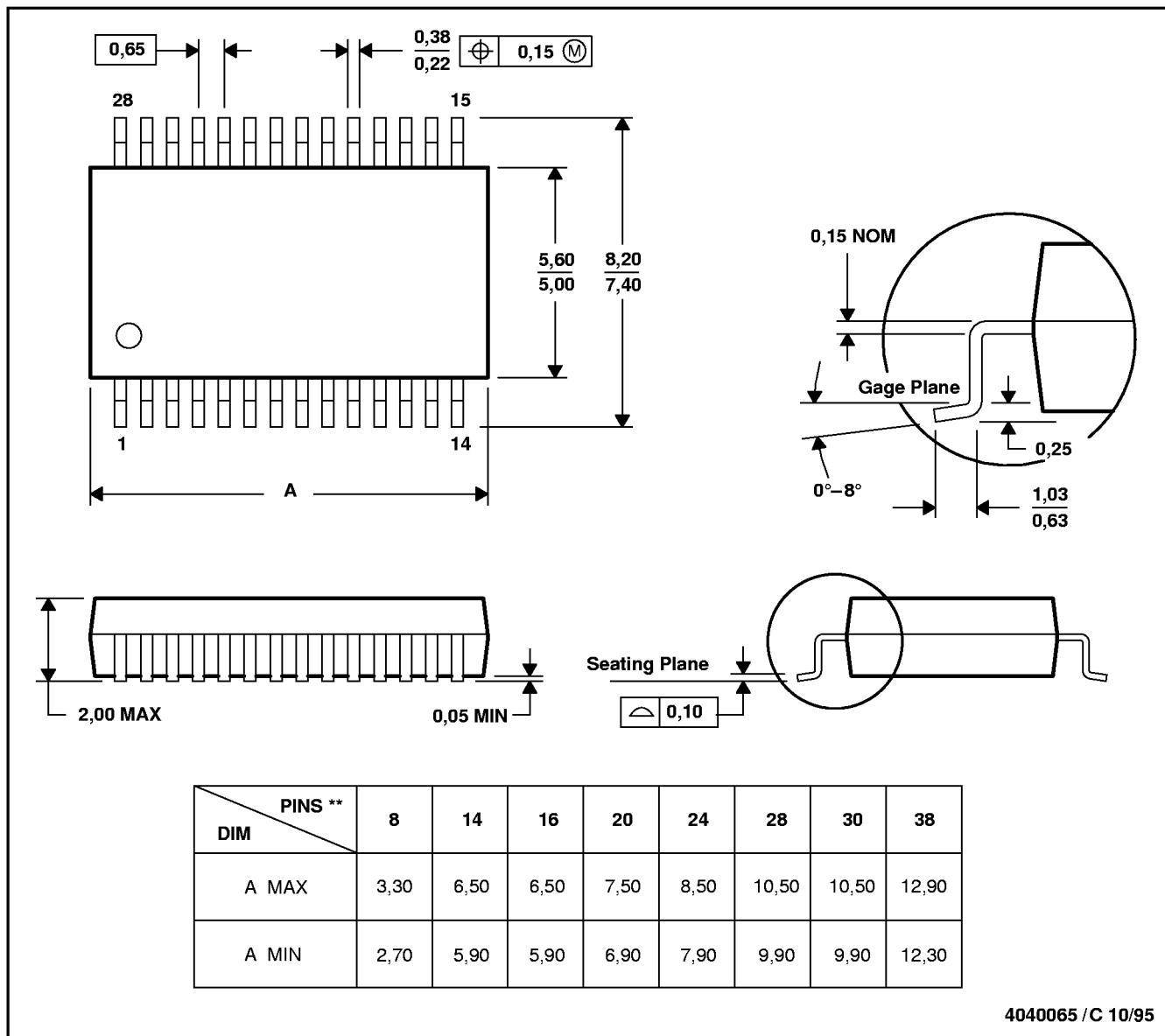
SCAS109E – APRIL 1990 – REVISED MAY 1997

## MECHANICAL INFORMATION

DB (R-PDSO-G\*\*)

PLASTIC SMALL-OUTLINE PACKAGE

28 PIN SHOWN



- NOTES: A. All linear dimensions are in millimeters.  
 B. This drawing is subject to change without notice.  
 C. Body dimensions do not include mold flash or protrusion not to exceed 0,15.  
 D. Falls within JEDEC MO-150



**CDC208, CDC208-7**  
**DUAL 1-LINE TO 4-LINE CLOCK DRIVERS**  
**WITH 3-STATE OUTPUTS**

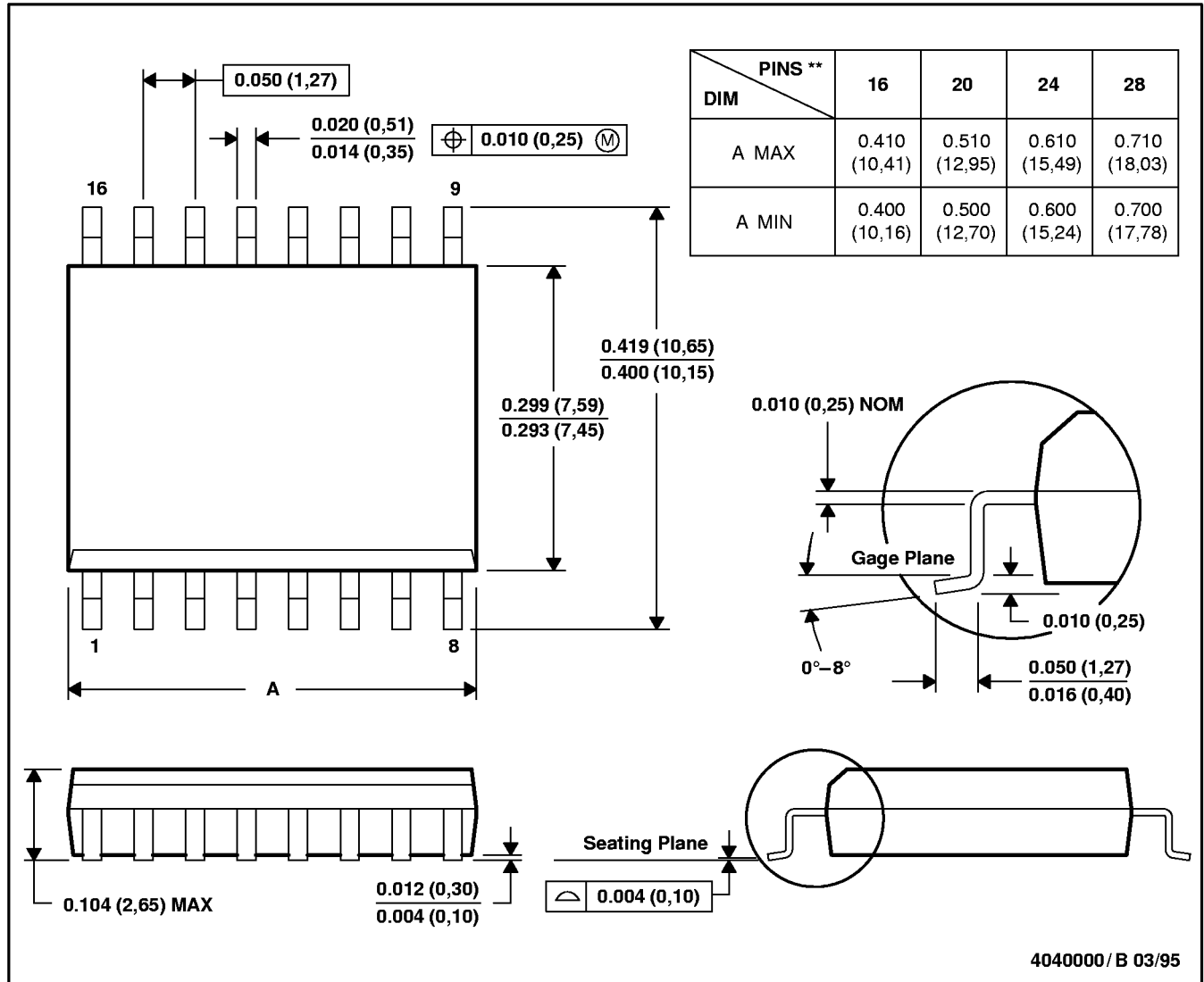
SCAS109E – APRIL 1990 – REVISED MAY 1997

**MECHANICAL INFORMATION**

**DW (R-PDSO-G\*\*)**

**PLASTIC SMALL-OUTLINE PACKAGE**

16 PIN SHOWN



- NOTES: A. All linear dimensions are in inches (millimeters).  
 B. This drawing is subject to change without notice.  
 C. Body dimensions do not include mold flash or protrusion not to exceed 0.006 (0,15).  
 D. Falls within JEDEC MS-013

**CDC208, CDC208-7**  
**DUAL 1-LINE TO 4-LINE CLOCK DRIVERS**  
**WITH 3-STATE OUTPUTS**

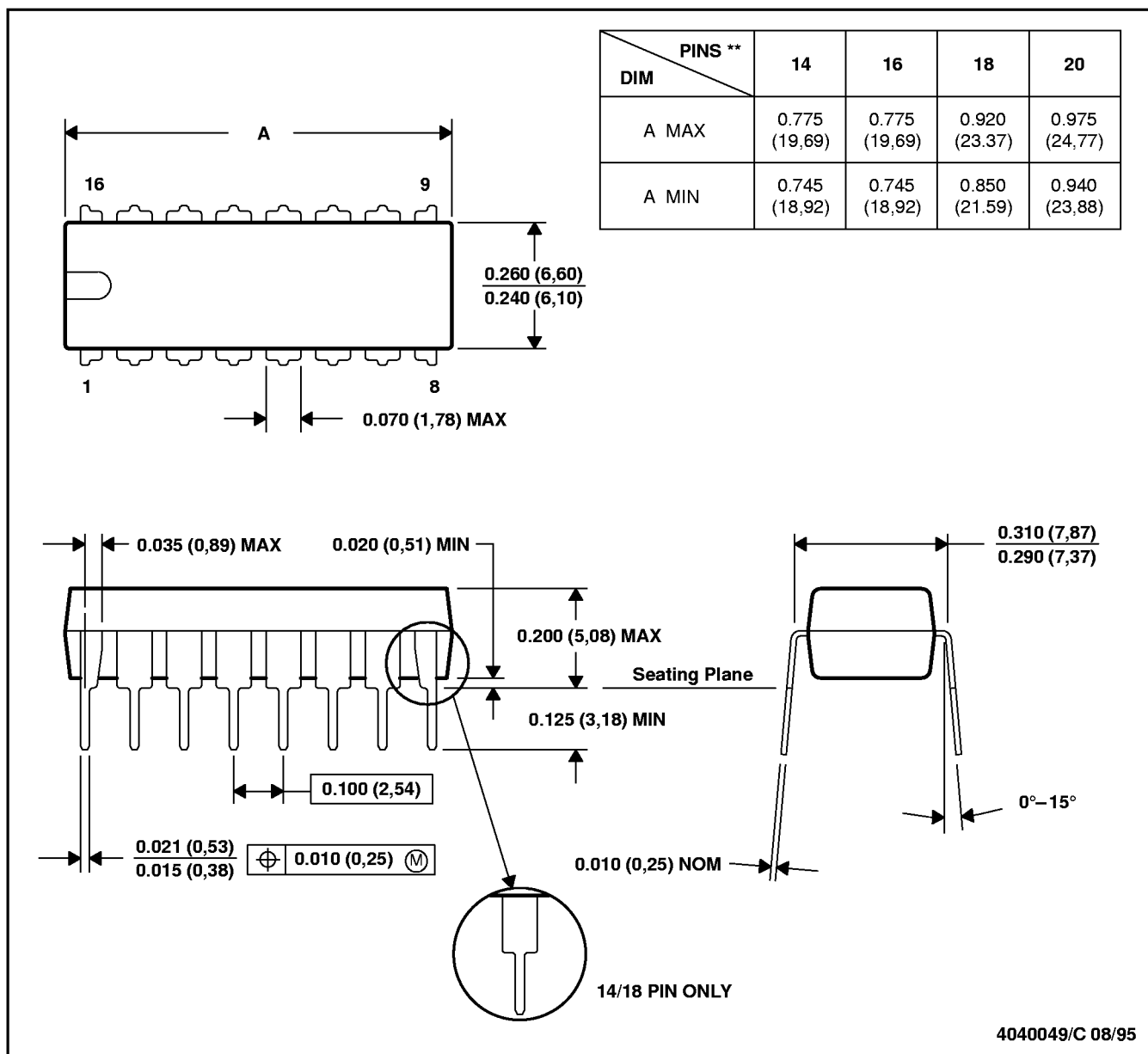
SCAS109E – APRIL 1990 – REVISED MAY 1997

**MECHANICAL INFORMATION**

**N (R-PDIP-T\*\*)**

**PLASTIC DUAL-IN-LINE PACKAGE**

16 PIN SHOWN



- NOTES: A. All linear dimensions are in inches (millimeters).  
 B. This drawing is subject to change without notice.  
 C. Falls within JEDEC MS-001 (20 pin package is shorter than MS-001.)