

FSA1211 — Low-Power, Twelve-Port, High-Speed Isolation Switch

Features

- Low C_{OFF} Capacitance: 2.0 pF Typical
- Low On Resistance: 7.5 Ω Typical
- Low Power Consumption: 1 μA Maximum
- 10μA Maximum I_{CC}T over an Expanded Voltage Range (V_{IN}=2.6 V, V_{CC}=4.3 V)
- Wide -3 db Bandwidth: > 720 MHz
- Packaged in Space-Saving 28-Lead UMLP
- 5.5 kV ESD Rating; >9 kV Power/GND ESD Rating
- Low On Capacitance: 6 pF Typical

Applications

- Cell phone, PDA, Digital Camera, and Notebook
- LCD Monitor, TV, and Set-Top Box

IMPORTANT NOTE:

For additional performance information, please contact analogswitch@fairchildsemi.com.

Description

The FSA1211 is a low-power, twelve-port, high-speed switch. This part is configured as a single-pole, single-throw switch (SPST) and is optimized for isolating a high-speed source, such as a cell phone camera interface. The FSA1211 features an extremely low on capacitance (C_{ON}) of 6 pF. The wide bandwidth (>720 MHz) exceeds the bandwidth needed to pass the third harmonic, resulting in signals with minimum edge and phase distortion. Superior channel-to-channel crosstalk minimizes interference.

The FSA1211 contains special circuitry on pins A and B that allows the device to withstand an over-voltage condition. This device is designed to minimize current consumption even when the control voltage applied to the /OE pin is lower than the supply voltage (V_{CC}). This feature is especially valuable for mobile applications, such as cell phones, allowing direct interface with the general-purpose I/Os of the baseband processor. Other applications include port isolation and switching in portable cell phones, PDAs, digital cameras, printers, and notebook computers.

Ordering Information

Part Number	Top Mark	Operating Temperature Range	Package
FSA1211UMX	F1211	-40 to +85°C	28-Lead, Quad, Ultra-thin Molded Leadless Package (UMLP), 3.5x4 mm
FSA1211UDMX	F1211	-40 to +85°C	28-Lead, Quad, Dual-Row, Ultra-thin Molded Leadless Package (UMLP), 3.6x2.9 mm

For Fairchild's definition of Eco Status, please visit: http://www.fairchildsemi.com/company/green/rohs_green.html.

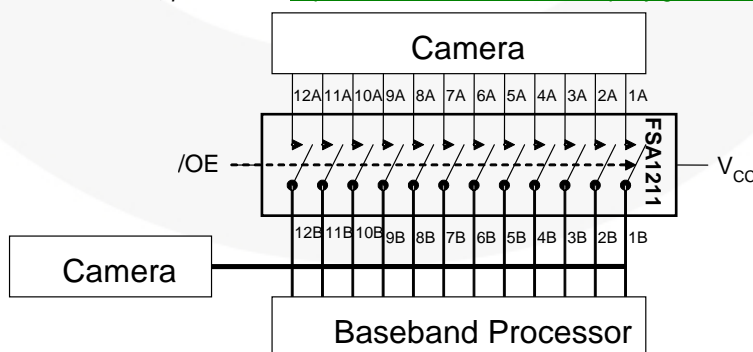


Figure 1. Analog Symbol

Pin Configurations

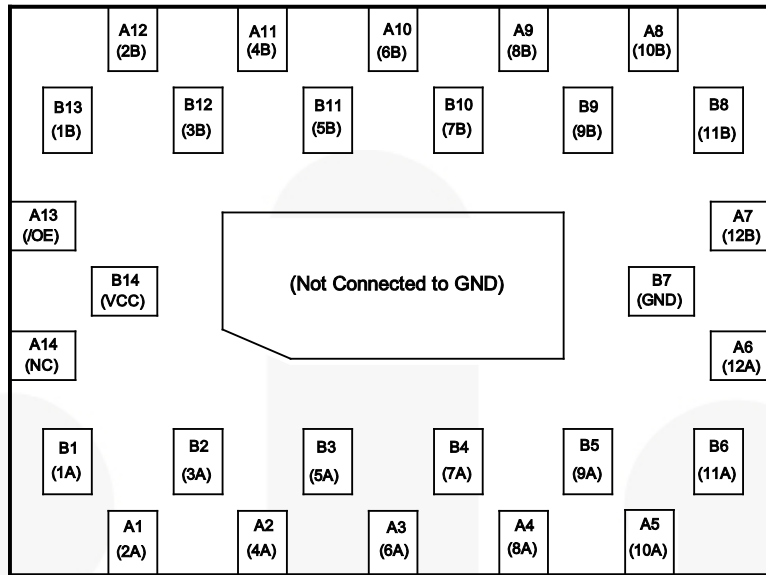


Figure 2. Dual-Row UMLP (Function in Parenthesis) (Top Through View)

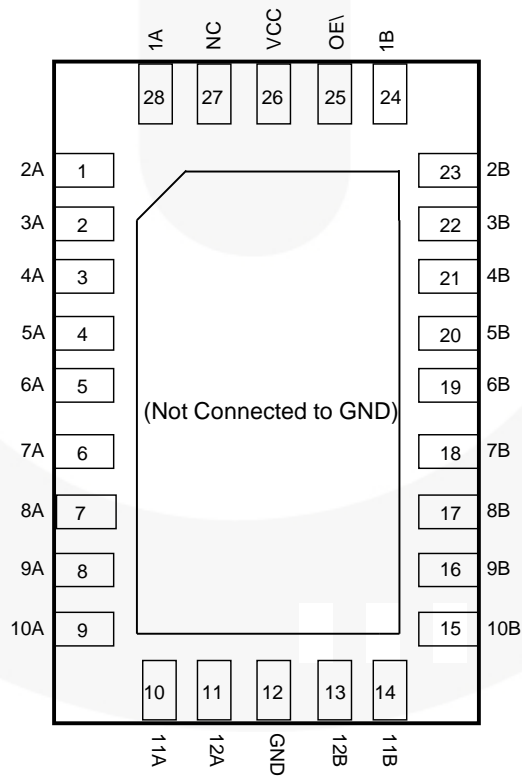


Figure 3. UMLP (Top Through View)

Pin Definitions

UMLP Dual Pin #	UMLP Single Pin #	Name	Description
A1-A6, B1-B6	1-11, 28	1A-12A	A Side of Bus
B7	12	GND	Ground
A7-A12, B8-B13	13-24	12B-1B	B Side of Bus
A14	27	NC	No Connect
A13	25	/OE	Switch Enable
B14	26	VCC	Power

Truth Table

/OE	Function
HIGH	Disconnect
LOW	1A-12A=1B-12B

Absolute Maximum Ratings

Stresses exceeding the absolute maximum ratings may damage the device. The device may not function or be operable above the recommended operating conditions and stressing the parts to these levels is not recommended. In addition, extended exposure to stresses above the recommended operating conditions may affect device reliability. The absolute maximum ratings are stress ratings only.

Symbol	Parameter	Min.	Max.	Unit	
V_{CC}	Supply Voltage	-0.50	+5.25	V	
V_{CNTRL}	DC Input Voltage (/OE) ⁽¹⁾	-0.5	V_{CC}	V	
V_{SW}	DC Switch I/O Voltage ⁽¹⁾	-0.5	$V_{CC} + 0.3$	V	
I_{IK}	DC Input Diode Current	-50		mA	
I_{OUT}	DC Output Current		50	mA	
T_{STG}	Storage Temperature	-65	+150	°C	
ESD	Human Body Model, JEDEC: JESD22-A114	All Pins		5.5	kV
		I/O to GND		9	
		Power to GND		9	
	Charged Device Model, JEDEC: JESD22-C101			2	

Note:

- The input and output negative ratings may be exceeded if the input and output diode current ratings are observed.

Recommended Operating Conditions

The Recommended Operating Conditions table defines the conditions for actual device operation. Recommended operating conditions are specified to ensure optimal performance to the datasheet specifications. Fairchild does not recommend exceeding them or designing to Absolute Maximum Ratings.

Symbol	Parameter	Min.	Max.	Unit
V_{CC}	Supply Voltage	1.8	4.3	V
V_{CNTRL}	Control Input Voltage (S, /OE) ⁽²⁾	0	V_{CC}	V
V_{SW}	Switch I/O Voltage	-0.5	V_{CC}	V
T_A	Operating Temperature	-40	+85	°C

Note:

- The control input must be held HIGH or LOW; it must not float.

DC Electrical Characteristics

All typical values are at 25°C unless otherwise specified.

Symbol	Parameter	Conditions	V _{CC} (V)	T _A =- 40°C to +85°C			Units
				Min.	Typ.	Max.	
V _{IK}	Clamp Diode Voltage	I _{IN} =-18 mA	2.8			-1.2	V
V _{IH}	Input Voltage High		1.8	1.0			
			2.8	1.3			V
			3.6	1.5			
			4.3	1.7			V
V _{IL}	Input Voltage Low		1.8			0.4	
			2.8			0.5	
			3.6			0.6	V
			4.3			0.7	V
I _{IN}	Control Input Leakage	V _{SW} =0 to V _{CC}	1.8 to 4.3	-1		1	μA
I _{OZ}	Off State Leakage	0 ≤ A, B ≤ 3.6 V	1.8 to 4.3	-2		2	μA
R _{ON}	Switch On Resistance ⁽³⁾	I _{ON} =-8 mA, V _{SW} =0 V, Figure 4	2.8		5.7	10.0	Ω
		I _{ON} =-8 mA, V _{SW} =3.0 V, Figure 4	2.8		9.0	14.0	
		I _{ON} =-8mA, V _{SW} =0V, Figure 4	1.8		8.5	15.0	
		I _{ON} =-8 mA, V _{SW} =1.8 V, Figure 4	1.8		15.0	30.0	
I _{CC}	Quiescent Supply Current	V _{IN} =0 or V _{CC} , I _{OUT} =0	4.3			1	μA
I _{CCCT}	Increase in I _{CC} Current Per Control Voltage and V _{CC}	V _{IN} =2.6 V, V _{CC} =4.3 V	4.3			10	μA

Notes:

- Measured by the voltage drop between A and B pins at the indicated current through the switch. On resistance is determined by the lower of the voltage on the two (A or B ports).

AC Electrical Characteristics

All typical values are for $V_{CC}=3.3$ V at 25°C unless otherwise specified.

Symbol	Parameter	Conditions	V_{CC} (V)	$T_A=-40^{\circ}\text{C}$ to $+85^{\circ}\text{C}$			Units
				Min.	Typ.	Max.	
t_{ON}	Turn-On Time /OE to Output	$R_L=50\ \Omega$, $C_L=5\ \text{pF}$, $V_{SW}=0.8\ \text{V}$ Figure 5, Figure 6	2.8 to 3.6		23	30	ns
			1.8			45	
t_{OFF}	Turn-Off Time /OE to Output	$R_L=50\ \Omega$, $C_L=5\ \text{pF}$, $V_{SW}=0.8\ \text{V}$ Figure 5, Figure 6	2.8 to 3.6		19	25	ns
			1.8			35	
t_{PD}	Propagation Delay ⁽⁴⁾	$C_L=5\ \text{pF}$, $R_L=50\ \Omega$ Figure 5, Figure 7	3.3		0.25		ns
O_{IRR}	Off Isolation	$R_L=50\ \Omega$, $f=100\ \text{MHz}$ Figure 12	1.8 to 3.6		-45		dB
Xtalk	Non-Adjacent Channel Crosstalk	$R_L=50\ \Omega$, $f=100\ \text{MHz}$ Figure 13	1.8 to 3.6		-40		dB
BW	-3db Bandwidth	$R_L=50\ \Omega$, $C_L=0\ \text{pF}$ Figure 11	1.8 to 3.6		720		MHz
		$R_L=50\ \Omega$, $C_L=5\ \text{pF}$ Figure 11			325		MHz

Note:

4. Guaranteed by characterization.

High-Speed-Related AC Electrical Characteristics

Symbol	Parameter	Conditions	V _{CC} (V)	T _A =- 40°C to +85°C			Units
				Min.	Typ.	Max.	
t _{SK(O)}	Channel-to-Channel Skew ⁽⁵⁾	C _L =5 pF	3.0 to 3.6		60		ps
t _{SK(P)}	Skew of Opposite Transitions of the Same Output ⁽⁵⁾	C _L =5 pF	3.0 to 3.6		20		ps

Note:

5. Guaranteed by characterization.

Capacitance

Symbol	Parameter	Conditions	T _A =- 40°C to +85°C			Units
			Min.	Typ.	Max.	
C _{IN}	Control Pin Input Capacitance	V _{CC} =0 V, f=1 MHz		1.0		pF
C _{ON}	D+/D- On Capacitance	V _{CC} =3.3 V, /OE=0 V, f=1 MHz Figure 10		6.0		
C _{OFF}	D1n, D2n Off Capacitance	V _{CC} and /OE=3.3 V, f=1 MHz Figure 9		2.0		

Test Diagrams

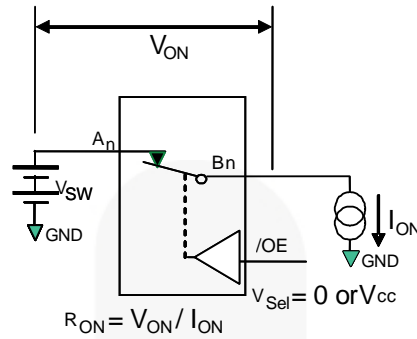
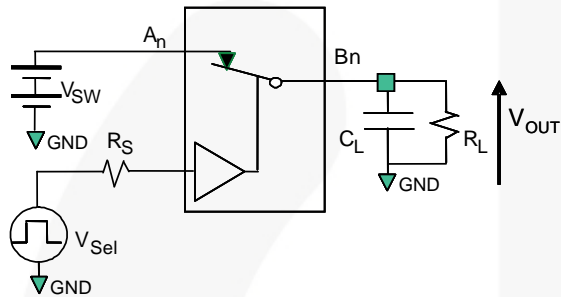


Figure 4. On Resistance



R_L , R_S , and C_L are functions of the application environment (see AC Tables for specific values). C_L includes test fixture and stray capacitance.

Figure 5. AC Test Circuit Load

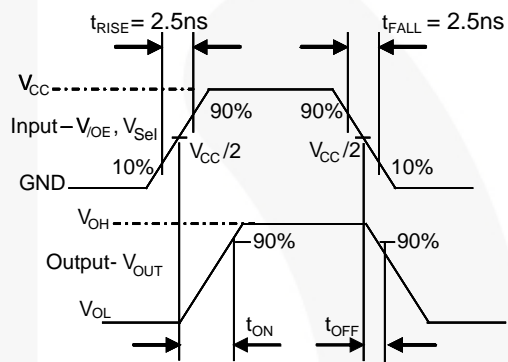


Figure 6. Turn-On / Turn-Off Waveforms

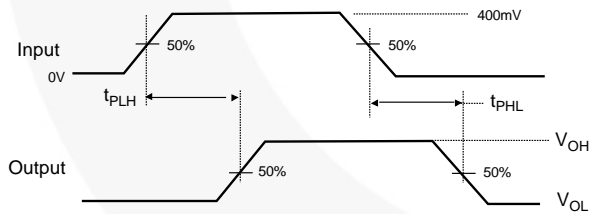


Figure 7. Propagation Delay ($t_{rF} = 500 \text{ ps}$)

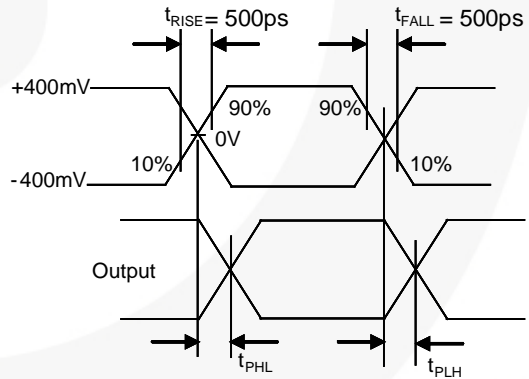


Figure 8. Intra-Pair Skew Test $t_{sk(P)}$

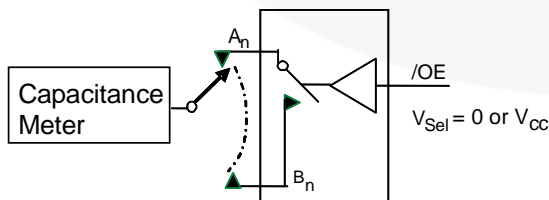


Figure 9. Channel Off Capacitance

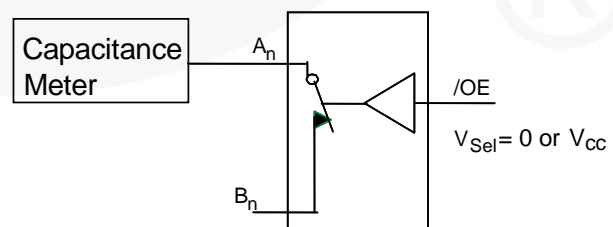


Figure 10. Channel On Capacitance

Test Diagrams (Continued)

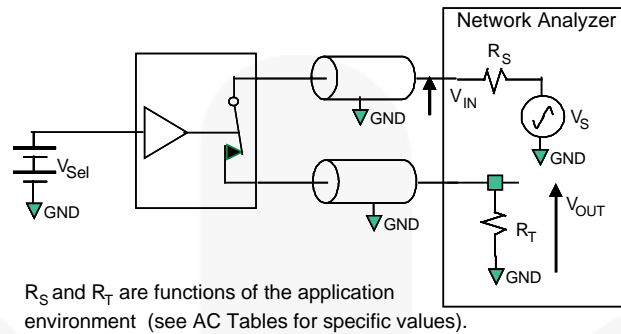


Figure 11. Bandwidth

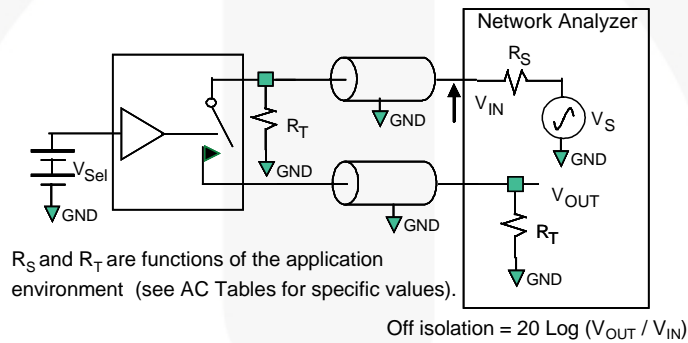


Figure 12. Channel Off Isolation

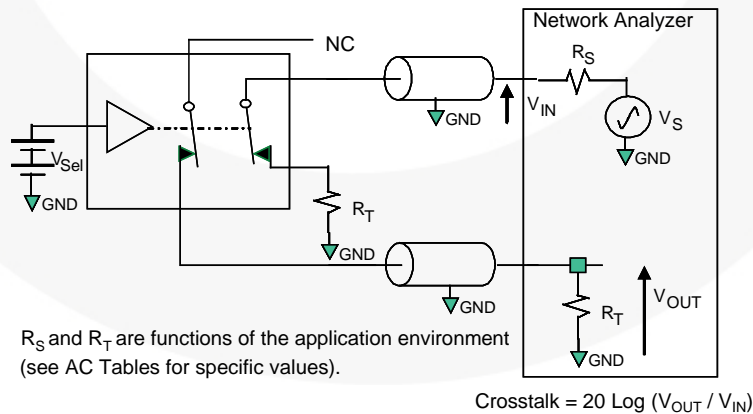


Figure 13. Non-Adjacent Channel-to-Channel Crosstalk

Physical Dimensions

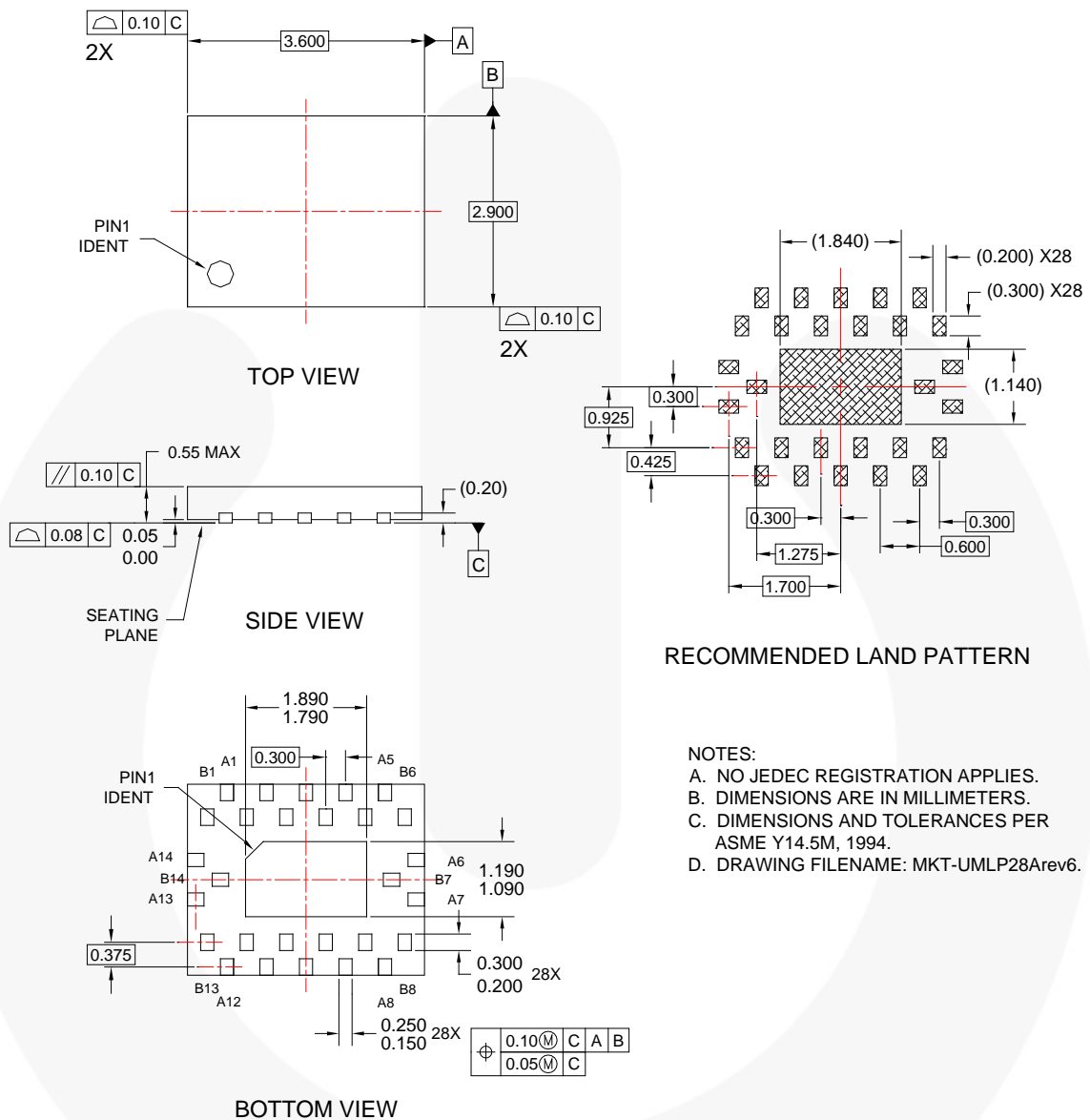


Figure 14. 28-Lead, Dual Row, Ultra-thin Molded Leadless Package (UMLP)

Package drawings are provided as a service to customers considering Fairchild components. Drawings may change in any manner without notice. Please note the revision and/or date on the drawing and contact a Fairchild Semiconductor representative to verify or obtain the most recent revision. Package specifications do not expand the terms of Fairchild's worldwide terms and conditions, specifically the warranty therein, which covers Fairchild products.

Always visit Fairchild Semiconductor's online packaging area for the most recent package drawings:
<http://www.fairchildsemi.com/packaging/>.

Physical Dimensions

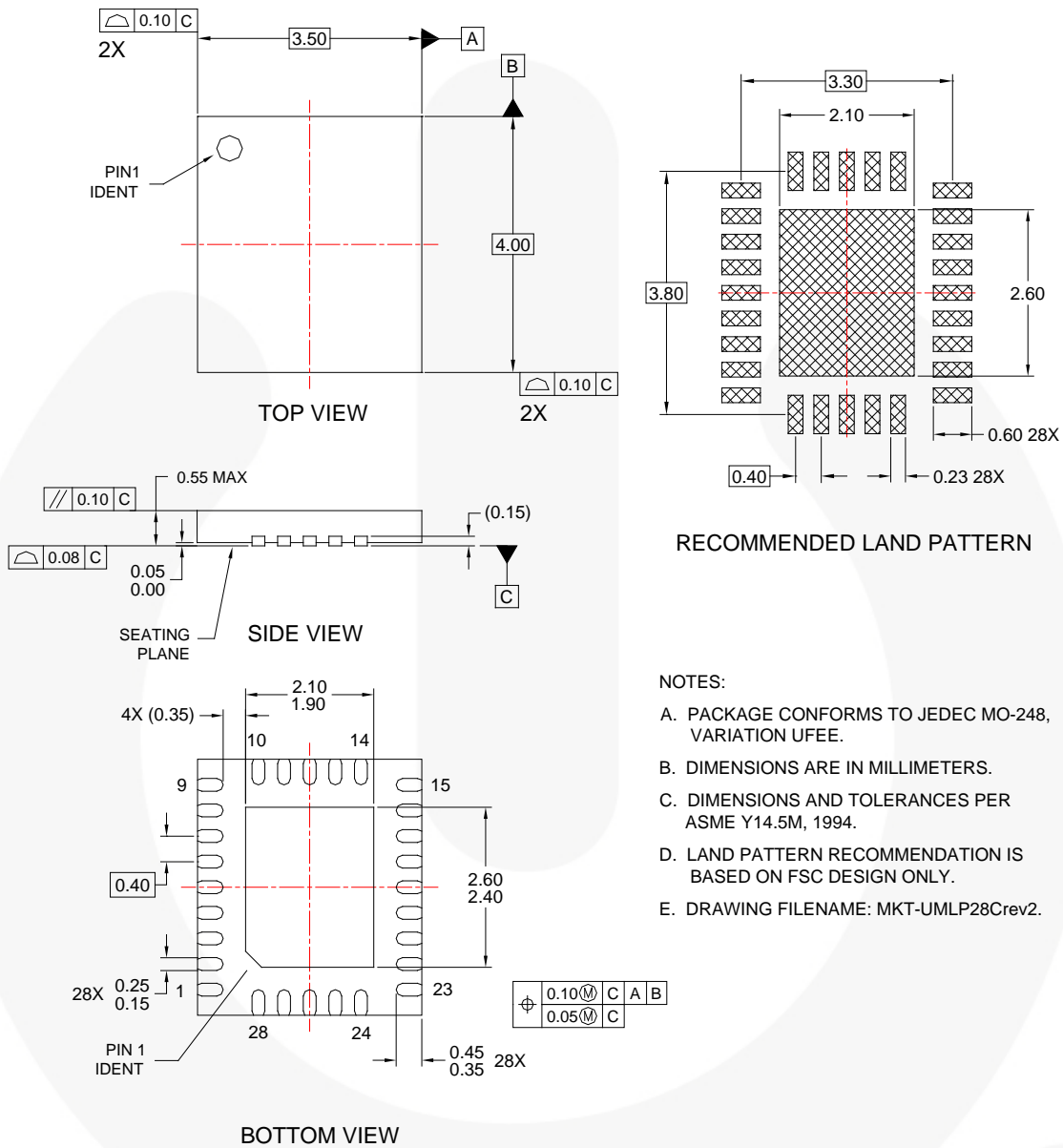


Figure 15. 28-Lead, Ultrathin Molded Leadless Package (UMLP)

Package drawings are provided as a service to customers considering Fairchild components. Drawings may change in any manner without notice. Please note the revision and/or date on the drawing and contact a Fairchild Semiconductor representative to verify or obtain the most recent revision. Package specifications do not expand the terms of Fairchild's worldwide terms and conditions, specifically the warranty therein, which covers Fairchild products.

Always visit Fairchild Semiconductor's online packaging area for the most recent package drawings:
<http://www.fairchildsemi.com/packaging/>.



TRADEMARKS

The following includes registered and unregistered trademarks and service marks, owned by Fairchild Semiconductor and/or its global subsidiaries, and is not intended to be an exhaustive list of all such trademarks.

- | | | | |
|--------------------------|--|---------------------------------------|------------------|
| 2Cool™ | FPST™ | | Sync-Lock™ |
| AccuPower™ | F-PFST™ | PowerTrench® | |
| AX-CAP® | FRFET® | PowerXS™ | TinyBoost™ |
| BitSiC™ | Global Power Resource™ | Programmable Active Droop™ | TinyBuck™ |
| Build it Now™ | GreenBridge™ | QFET® | TinyCalc™ |
| CorePLUS™ | Green FPS™ | QST™ | TinyLogic® |
| CorePOWER™ | Green FPS™ e-Series™ | Quiet Series™ | TINYOPTO™ |
| CROSSVOLT™ | Gmax™ | RapidConfigure™ | TinyPower™ |
| CTL™ | GTO™ | | TinyPWM™ |
| Current Transfer Logic™ | IntelliMAX™ | Saving our world, 1mW/W/kW at a time™ | TinyWire™ |
| DEUXPEED® | ISOPLANAR™ | SignalWise™ | TranSiC™ |
| Dual Cool™ | Making Small Speakers Sound Louder and Better™ | SmartMax™ | TriFault Detect™ |
| EcoSPARK® | MegaBuck™ | SMART START™ | TRUECURRENT® |
| EfficientMax™ | MICROCOUPLER™ | Solutions for Your Success™ | μSerDes™ |
| ESBC™ | MicroFET™ | SPM® | |
| | MicroPak™ | STEALTH™ | UHC® |
| Fairchild® | MicroPak2™ | SuperFET® | Ultra FRFET™ |
| Fairchild Semiconductor® | MillerDrive™ | SuperSOT™-3 | UniFET™ |
| FACT Quiet Series™ | MotionMax™ | SuperSOT™-6 | VCC™ |
| FACT® | mWSaver™ | SuperSOT™-8 | VisualMax™ |
| FAST® | OptoHIT™ | SupreMOS® | VoltagePlus™ |
| FastvCore™ | OPTOLOGIC® | SyncFET™ | XST™ |
| FETBench™ | OPTOPLANAR® | | |

* Trademarks of System General Corporation, used under license by Fairchild Semiconductor.

DISCLAIMER

FAIRCHILD SEMICONDUCTOR RESERVES THE RIGHT TO MAKE CHANGES WITHOUT FURTHER NOTICE TO ANY PRODUCTS HEREIN TO IMPROVE RELIABILITY, FUNCTION, OR DESIGN. FAIRCHILD DOES NOT ASSUME ANY LIABILITY ARISING OUT OF THE APPLICATION OR USE OF ANY PRODUCT OR CIRCUIT DESCRIBED HEREIN; NEITHER DOES IT CONVEY ANY LICENSE UNDER ITS PATENT RIGHTS, NOR THE RIGHTS OF OTHERS. THESE SPECIFICATIONS DO NOT EXPAND THE TERMS OF FAIRCHILD'S WORLDWIDE TERMS AND CONDITIONS, SPECIFICALLY THE WARRANTY THEREIN, WHICH COVERS THESE PRODUCTS.

LIFE SUPPORT POLICY

FAIRCHILD'S PRODUCTS ARE NOT AUTHORIZED FOR USE AS CRITICAL COMPONENTS IN LIFE SUPPORT DEVICES OR SYSTEMS WITHOUT THE EXPRESS WRITTEN APPROVAL OF FAIRCHILD SEMICONDUCTOR CORPORATION.

As used herein:

1. Life support devices or systems are devices or systems which, (a) are intended for surgical implant into the body or (b) support or sustain life, and (c) whose failure to perform when properly used in accordance with instructions for use provided in the labeling, can be reasonably expected to result in a significant injury of the user.
2. A critical component in any component of a life support, device, or system whose failure to perform can be reasonably expected to cause the failure of the life support device or system, or to affect its safety or effectiveness.

ANTI-COUNTERFEITING POLICY

Fairchild Semiconductor Corporation's Anti-Counterfeiting Policy. Fairchild's Anti-Counterfeiting Policy is also stated on our external website, www.fairchildsemi.com, under Sales Support.

Counterfeiting of semiconductor parts is a growing problem in the industry. All manufacturers of semiconductor products are experiencing counterfeiting of their parts. Customers who inadvertently purchase counterfeit parts experience many problems such as loss of brand reputation, substandard performance, failed applications, and increased cost of production and manufacturing delays. Fairchild is taking strong measures to protect ourselves and our customers from the proliferation of counterfeit parts. Fairchild strongly encourages customers to purchase Fairchild parts either directly from Fairchild or from Authorized Fairchild Distributors who are listed by country on our web page cited above. Products customers buy either from Fairchild directly or from Authorized Fairchild Distributors are genuine parts, have full traceability, meet Fairchild's quality standards for handling and storage and provide access to Fairchild's full range of up-to-date technical and product information. Fairchild and our Authorized Distributors will stand behind all warranties and will appropriately address any warranty issues that may arise. Fairchild will not provide any warranty coverage or other assistance for parts bought from Unauthorized Sources. Fairchild is committed to combat this global problem and encourage our customers to do their part in stopping this practice by buying direct or from authorized distributors.

PRODUCT STATUS DEFINITIONS

Definition of Terms

Datasheet Identification	Product Status	Definition
Advance Information	Formative / In Design	Datasheet contains the design specifications for product development. Specifications may change in any manner without notice.
Preliminary	First Production	Datasheet contains preliminary data, supplementary data will be published at a later date. Fairchild Semiconductor reserves the right to make changes at any time without notice to improve design.
No Identification Needed	Full Production	Datasheet contains final specifications. Fairchild Semiconductor reserves the right to make changes at any time without notice to improve the design.
Obsolete	Not In Production	Datasheet contains specifications on a product that is discontinued by Fairchild Semiconductor. The datasheet is for reference information only.

Rev. 164