

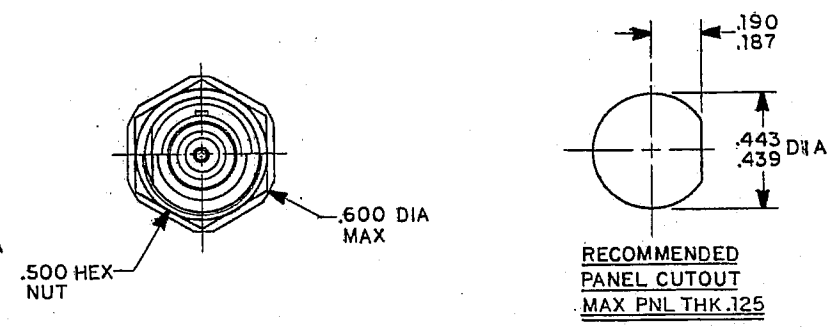
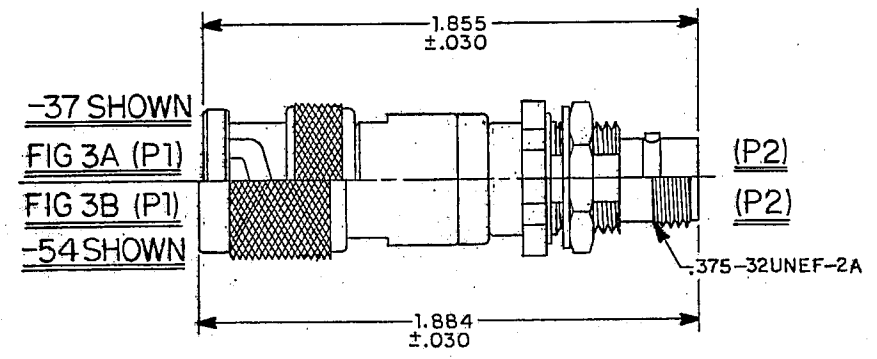
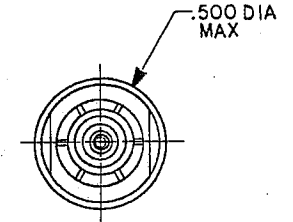
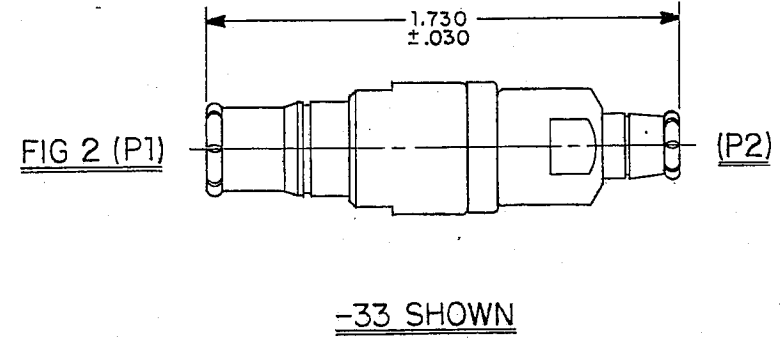
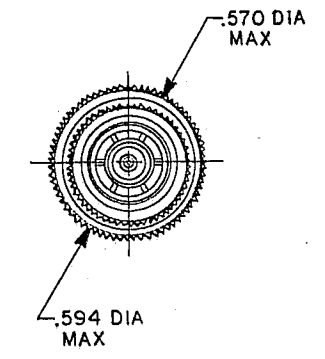
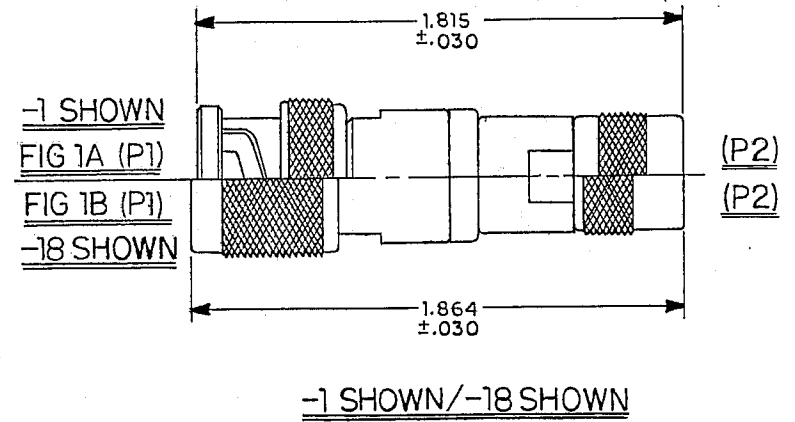
DATA CONTAINED IN THIS DOCUMENT IS PROPRIETARY TO TROMPETER ELECTRONICS INC. AND SHALL NOT BE DISCLOSED, COPIED OR USED FOR PROCUREMENT OR MANUFACTURE WITHOUT EXPRESS WRITTEN PERMISSION.

| REV | | EO | DESCRIPTION | DWN | APPROVED | DATE |
|-----|--|------|----------------------|-----|--------------------|--------|
| A | | B337 | ADDED NOTE (D), SH 2 | DJK | <i>[Signature]</i> | 1-3-89 |

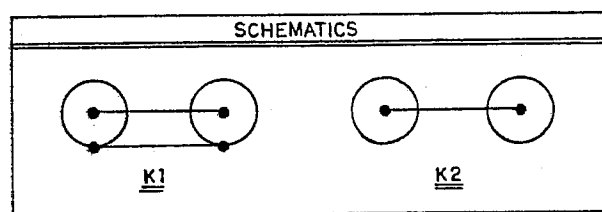
| P2 CONN TYPE | FIG NO | P1 CONN TYPE | | | | | | | | | | | |
|--------------|--------|--------------|-----|-------|-----|------|-----|-------|-----|-------|-----|--------|-----|
| | | PL20 | | UPL20 | | PL40 | | UPL40 | | PL123 | | UPL123 | |
| | | SCHEMATICS | | | | | | | | | | | |
| | | K1 | K2 | K1 | K2 | K1 | K2 | K1 | K2 | K1 | K2 | K1 | K2 |
| DASH NUMBERS | | | | | | | | | | | | | |
| PL50 | 1A | -1 | -2 | -3 | -4 | -5 | -6 | -7 | -8 | -9 | -10 | -11 | -12 |
| PL350 | 1B | -13 | -14 | -15 | -16 | -17 | -18 | -19 | -20 | -21 | -22 | -23 | -24 |
| PL53 | 2 | -25 | -26 | -27 | -28 | -29 | -30 | -31 | -32 | -33 | -34 | -35 | -36 |
| BJ59 | 3A | -37 | -38 | -39 | -40 | -41 | -42 | -43 | -44 | -45 | -46 | -47 | -48 |
| BJ359 | 3B | -49 | -50 | -51 | -52 | -53 | -54 | -55 | -56 | -57 | -58 | -59 | -60 |
| PL50FL | 1A | -61 | -62 | -63 | -64 | -65 | -66 | -67 | -68 | -69 | -70 | -71 | -72 |
| BJ59FL | 3A | -73 | -74 | -75 | -76 | -77 | -78 | -79 | -80 | -81 | -82 | -83 | -84 |

| INCH | MM |
|-------|-------|
| .005 | 0.13 |
| .030 | 0.76 |
| .187 | 4.75 |
| .190 | 4.83 |
| .439 | 11.15 |
| .443 | 11.25 |
| .500 | 12.70 |
| .570 | 14.48 |
| .594 | 15.09 |
| .600 | 15.24 |
| 1.730 | 43.94 |
| 1.815 | 46.10 |
| 1.855 | 47.12 |
| 1.864 | 47.35 |
| 1.864 | 47.85 |

RED INDICATES ORIGINAL



- EXAMPLE OF COMPLETE MODEL NO:
AD-PL20-K1-PL50
ADAPTER (P1) CONN TYPE (P2) CONN TYPE SCHEMATIC
- EXAMPLE OF COMPLETE PART NO:
12-12-1
BASIC PART NO DASH NO
- BETWEEN SERIES ADAPTER; 50 Ω 75 OHM BNC/TNC/PUSH-ON PLUG TO 3-LUG, 4-LUG & THREADED TPS/TCM PLUG/BULKHEAD MOUNT JACK
- FINISH: TFS-1A (NICKEL)
- ALL DIM ARE IN INCHES



| QTY | DESCRIPTION | | PART NUMBER | ITEM |
|----------------------|-------------|--|-------------|------------------|
| TOL UNLESS SPECIFIED | | TROMPETER ELECTRONICS, INC. | | |
| .XX | ± | ADAPTERS; MALE BNC/TNC SERIES TO MALE/FEMALE TPS SERIES PLUG/BULK-HEAD MOUNT JACKS | | |
| .XXX | ± | DRAWING NO. 12-12 | | |
| .XXXX | ± | REV A | | |
| ANGLES | ± | SCALE 2/1 | | |
| DWN | JDG | 4-7-86 | MATERIAL | CODE IDENT 14949 |
| CHK | De | 4-23-86 | DATE | 5-6-86 |
| ENGR | Jh | 5-2-86 | SHEET | 1 OF 2 |
| APPR | AT | 5-6-86 | NEXT ASSY | |