



PRELIMINARY

CY74FCT163245 CY74FCT163H245

16-Bit Transceiver

Features

- 5V tolerant Inputs and Outputs
- 24 mA balanced drive outputs
- Low power, pin-compatible replacement for LCX, LPT, LVC, LVCH & LVT families
- FCT-C speed at 4.1 ns
- Power-off disable outputs permits live insertion
- Edge-rate control circuitry for significantly improved noise characteristics
- Typical output skew < 250 ps
- ESD > 2000V
- TSSOP (19.6-mil pitch) and SSOP (25-mil pitch) packages
- Extended commercial range of -40°C to +85°C
- V_{CC} = 2.7V to 3.6V
- Typical V_{OLP} (ground bounce) < 0.6V at V_{CC} = 3.3V, T_A = 25°C

CY74FCT163H245 Features:

- Bus hold on data inputs
- Eliminates the need for external pull-up or pull-down resistors

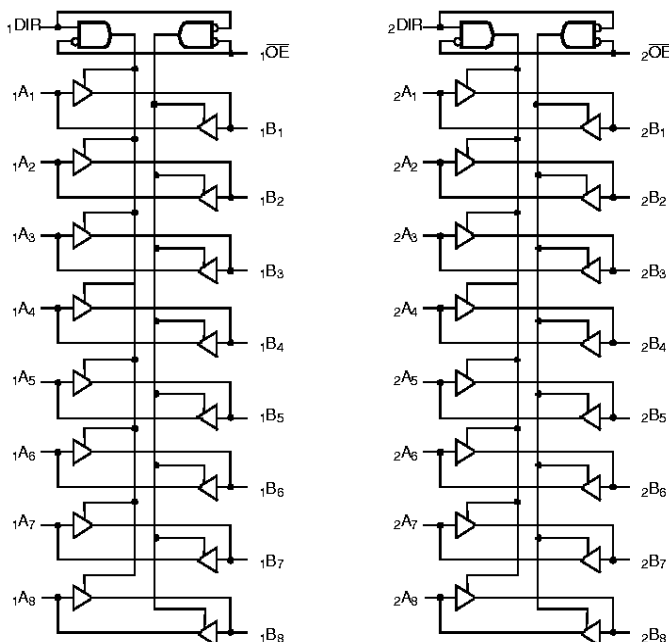
Functional Description

These 16-bit transceivers are designed for use in bidirectional synchronous communication between two buses, where high speed and low power are required. Direction of data flow is controlled by (DIR), the Output Enable (OE) transfers data when LOW and isolates the buses when HIGH. The outputs are 24-mA balanced output drivers with current limiting resistors to reduce the need for external terminating resistors and provide for minimal undershoot and reduced ground bounce..

The CY74FCT163H245 has "bus hold" on the data inputs, which retain the input's last state whenever the input goes to high impedance. This eliminates the need for pull-up/down resistors and prevents floating inputs.

The CY74FCT163245 and the CY74FCT163H245 were designed with inputs and outputs capable of being driven by 5.0V busses, allowing them to be used in mixed voltage systems as translators. The outputs were also designed with a power off disable feature enabling them to be used in applications requiring live insertion.

Logic Block Diagrams CY74FCT163245, CY74FCT163H245,



Pin Configuration

SSOP/TSSOP
Top View

1 DIR	1	48	1 OE
1 B1	2	47	1 A1
1 B2	3	46	1 A2
GND	4	45	GND
1 B3	5	44	1 A3
1 B4	6	43	1 A4
VCC	7 163245	42	VCC
1 B5	8 163H245	41	1 A5
1 B6	9	40	1 A6
GND	10	39	GND
1 B7	11	38	1 A7
1 B8	12	37	1 A8
2 B1	13	36	2 A1
2 B2	14	35	2 A2
GND	15	34	GND
2 B3	16	33	2 A3
2 B4	17	32	2 A4
VCC	18	31	VCC
2 B5	19	30	2 A5
2 B6	20	29	2 A6
GND	21	28	GND
2 B7	22	27	2 A7
2 B8	23	26	2 A8
2 DIR	24	25	2 OE



Pin Description

Name	Description
OE	Three-State Output Enable Inputs (Active LOW)
DIR	Direction Control
A	Inputs or Three-State Outputs ^[1]
B	Inputs or Three-State Outputs ^[1]

Function Table^[2]

Inputs		Outputs
OE	DIR	
L	L	Bus B Data to Bus A
L	H	Bus A Data to Bus B
H	X	High Z State

Maximum Ratings^[3, 4]

(Above which the useful life may be impaired. For user guidelines, not tested.)

Storage Temperature	-55°C to +125°C
Ambient Temperature with Power Applied	-55°C to +125°C
Supply Voltage Range	0.5V to 4.6V
DC Input Voltage	-0.5V to +7.0V
DC Output Voltage	-0.5V to +7.0V
DC Output Current (Maximum Sink Current/Pin)	-60 to +120 mA
Power Dissipation	1.0W
Static Discharge Voltage	>2001V (per MIL-STD-883, Method 3015)

Operating Range

Range	Ambient Temperature	V _{CC}
Commercial	-40°C to +85°C	2.7V to 3.6V

Notes:

1. On CY74FCT163H245 these pins have bus hold.
2. H = HIGH Voltage Level, L = LOW Voltage Level, X = Don't Care, Z = High Impedance.
3. Operation beyond the limits set forth may impair the useful life of the device. Unless otherwise noted, these limits are over the operating free-air temperature range.
4. Unused inputs must always be connected to an appropriate logic voltage level, preferably either V_{CC} or ground.

Electrical Characteristics Over the Operating Range V_{CC}=2.7V to 3.6V

Parameter	Description	Test Conditions	Min.	Typ. ^[5]	Max.	Unit
V _{IH}	Input HIGH Voltage	All Inputs	2.0		5.5	V
V _{IL}	Input LOW Voltage				0.8	V
V _H	Input Hysteresis ^[6]			100		mV
V _{IK}	Input Clamp Diode Voltage	V _{CC} =Min., I _{IN} =-18 mA		-0.7	1.2	V
I _{IH}	Input HIGH Current	Standard	V _{CC} =Max., V _I =5.5		±1	μA
		Bus Hold	V _{CC} =Max., V _I =V _{CC}		±100	
I _{IL}	Input LOW Current	Standard	V _{CC} =Max., V _I =GND		±1	μA
		Bus Hold			±100	
I _{BBH} I _{BBL}	Bus Hold Sustain Current on Bus Hold Input ^[7]	V _{CC} =Min.	V _I =2.0V	-50		μA
			V _I =0.8V	+50		μA
I _{BHHO} I _{BHLO}	Bus Hold Overdrive Current on Bus Hold Input ^[7]	V _{CC} =Max., V _I =1.5V			±500	μA
I _{OZH}	High Impedance Output Current (Three-State Output pins)	V _{CC} =Max., V _{OUT} =5.5V			±1	μA
I _{OZL}	High Impedance Output Current (Three-State Output pins)	V _{CC} =Max., V _{OUT} =GND			±1	μA
I _{ODL}	Output LOW Current ^[9]	V _{CC} =3.3V, V _{IN} =V _{IH} or V _{IL} , V _{OUT} =1.5V	50	90	200	mA
I _{ODH}	Output HIGH Current ^[9]	V _{CC} =3.3V, V _{IN} =V _{IH} or V _{IL} , V _{OUT} =1.5V	-36	-60	-110	mA



Electrical Characteristics Over the Operating Range $V_{CC}=2.7V$ to $3.6V$ (continued)

Parameter	Description	Test Conditions	Min.	Typ. ^[5]	Max.	Unit
V_{OH}	Output HIGH Voltage	$V_{CC}=\text{Min.}, I_{OH} = -0.1 \text{ mA}$	$V_{CC}-0.2$			V
		$V_{CC}=3.0V, I_{OH} = -8 \text{ mA}$	2.4 ^[8]	3.0		V
		$V_{CC}=3.0V, I_{OH} = -24 \text{ mA}$	2.0	3.0		V
V_{OL}	Output LOW Voltage	$V_{CC}=\text{Min.}, I_{OL} = 0.1 \text{ mA}$			0.2	V
		$V_{CC}=\text{Min.}, I_{OL} = 24 \text{ mA}$		0.3	0.5	
I_{OS}	Short Circuit Current ^[9]	$V_{CC}=\text{Max.}, V_{OUT}=\text{GND}$	-60	-135	-240	mA
I_{OFF}	Power-Off Disable	$V_{CC}=0V, V_{OUT}\leq 4.5V$			± 100	μA

Capacitance^[6] ($T_A = +25^\circ\text{C}, f = 1.0 \text{ MHz}$)

Parameter	Description	Test Conditions	Typ. ^[5]	Max.	Unit
C_{IN}	Input Capacitance	$V_{IN} = 0V$	4.5	6.0	pF
C_{OUT}	Output Capacitance	$V_{OUT} = 0V$	5.5	8.0	pF

Power Supply Characteristics

Parameter	Description	Test Conditions	Typ. ^[5]	Max.	Unit	
I_{CC}	Quiescent Power Supply Current	$V_{CC}=\text{Max.}$ $V_{IN}\leq 0.2V,$ $V_{IN}\geq V_{CC}-0.2V$	0.1	10	μA	
ΔI_{CC}	Quiescent Power Supply Current (TTL inputs HIGH)	$V_{CC}=\text{Max.}$ $V_{IN}=V_{CC}-0.6V$ ^[10]	2.0	30	μA	
I_{CCD}	Dynamic Power Supply Current ^[11]	$V_{CC}=\text{Max.},$ One Input Toggling, 50% Duty Cycle, Outputs Open, $\overline{OE}=\text{GND}$	50	75	$\mu\text{A}/\text{MHz}$	
I_C	Total Power Supply Current ^[12]	$V_{CC}=\text{Max.}, f_1=10 \text{ MHz},$ 50% Duty Cycle, Outputs Open, One Bit Toggling, $\overline{OE}=\text{GND}$	$V_{IN}=V_{CC}$ or $V_{IN}=\text{GND}$	0.5	0.8	mA
			$V_{IN}=V_{CC}-0.6V$ or $V_{IN}=\text{GND}$	0.5	0.8	mA
		$V_{CC}=\text{Max.}, f_1=2.5 \text{ MHz},$ 50% Duty Cycle, Outputs Open, Sixteen Bits Toggling, $\overline{OE}=\text{GND}$	$V_{IN}=V_{CC}$ or $V_{IN}=\text{GND}$	2.0	3.0 ^[13]	mA
			$V_{IN}=V_{CC}-0.6V$ or $V_{IN}=\text{GND}$	2.0	3.3 ^[13]	mA

Notes:

- Typical values are at $V_{CC}=3.3V, T_A=+25^\circ\text{C}$ ambient.
- This parameter is guaranteed but not tested.
- Pins with bus hold are described in Pin Description.
- $V_{OH}=V_{CC}-0.6 \text{ V}$ at rated current.
- Not more than one output should be shorted at a time. Duration of short should not exceed one second. The use of high-speed test apparatus and/or sample and hold techniques are preferable in order to minimize internal chip heating and more accurately reflect operational values. Otherwise prolonged shorting of a high output may raise the chip temperature well above normal and thereby cause invalid readings in other parametric tests. In any sequence of parameter tests, I_{OS} tests should be performed last.
- Per TTL driven input: all other inputs at V_{CC} or GND.
- This parameter is not directly testable, but is derived for use in Total Power Supply calculations.
- $$I_C = I_{\text{QUIESCENT}} + I_{\text{INPUTS}} + I_{\text{DYNAMIC}}$$

$$I_C = I_{CC} + \Delta I_{CC} D_H N_T + I_{CCD} (f_0/2 + f_1 N_1)$$

$$I_{CC} = \text{Quiescent Current with CMOS input levels}$$

$$\Delta I_{CC} = \text{Power Supply Current for a TTL HIGH input (} V_{IN}=3.4V \text{)}$$

$$D_H = \text{Duty Cycle for TTL inputs HIGH}$$

$$N_T = \text{Number of TTL inputs at } D_H$$

$$I_{CCD} = \text{Dynamic Current caused by an input transition pair (HLH or LHL)}$$

$$f_0 = \text{Clock frequency for registered devices, otherwise zero}$$

$$f_1 = \text{Input signal frequency}$$

$$N_1 = \text{Number of inputs changing at } f_1$$
- All currents are in milliamps and all frequencies are in megahertz.
- Values for these conditions are examples of the I_{CC} formula. These limits are guaranteed but not tested.



Switching Characteristics Over the Operating Range $V_{CC}=3.0V$ to $3.6V$ ^[14,15]

Parameter	Description	CY74FCT163245A CY74FCT163H245A		CY74FCT163245C CY74FCT163H245C		Unit	Fig. No. ^[16]
		Min.	Max.	Min.	Max.		
t_{PLH} t_{PHL}	Propagation Delay, Data to Output A to B, B to A	1.5	4.5	1.5	4.1	ns	1, 3
t_{PZH} t_{PZL}	Output Enable Time OE to A or B	1.5	6.2	1.5	5.8	ns	1, 7, 8
t_{PHZ} t_{PLZ}	Output Disable Time OE to A or B	1.5	5.0	1.5	4.8	ns	1, 7, 8
t_{PZH} t_{PZL}	Output Enable Time DIR to A or B	1.5	6.2	1.5	5.8	ns	1, 7, 8
t_{PHZ} t_{PLZ}	Output Disable Time DIR to A or B	1.5	5.0	1.5	4.8	ns	1, 7, 8
$t_{SK(O)}$	Output Skew ^[17]		0.5		0.5	ns	—

Ordering Information CY74FCT163245

Speed (ns)	Ordering Code	Package Name	Package Type	Operating Range
4.1	CY74FCT163245CPAC	Z48	48-Lead (240-Mil) TSSOP	Commercial
	CY74FCT163245CPVC	O48	48-Lead (300-Mil) SSOP	
4.5	CY74FCT163245APAC	Z48	48-Lead (240-Mil) TSSOP	Commercial
	CY74FCT163245APVC	O48	48-Lead (300-Mil) SSOP	

Ordering Information CY74FCT163H245

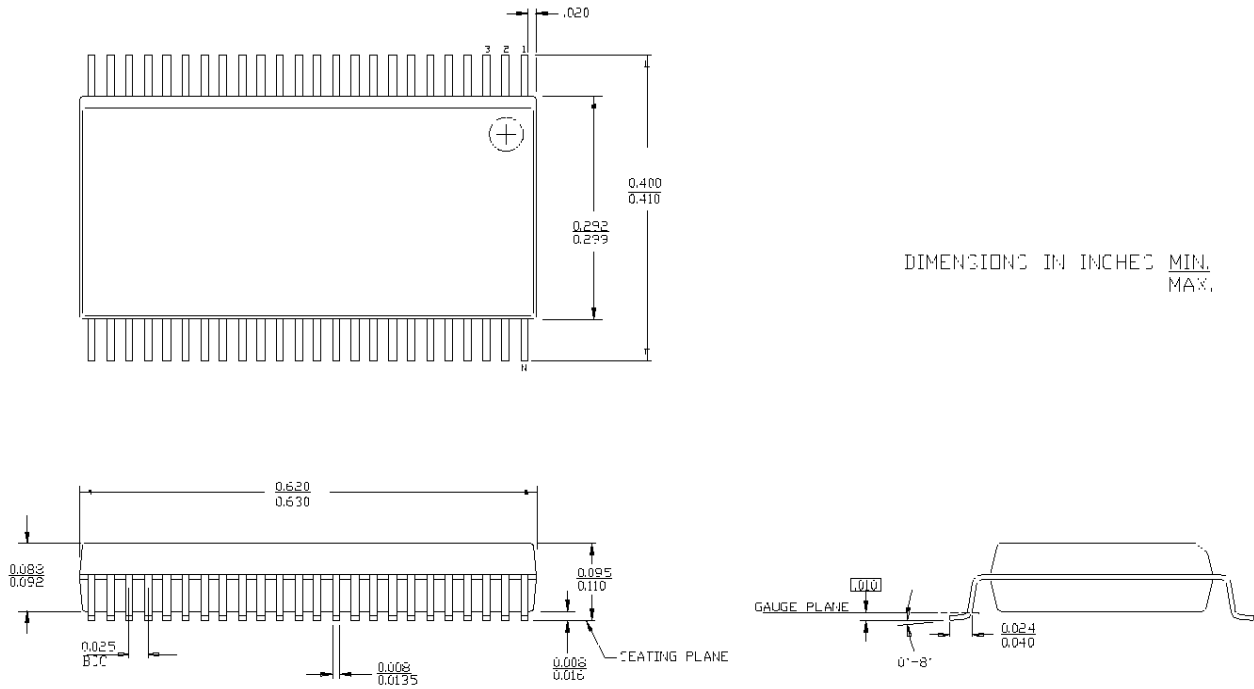
Speed (ns)	Ordering Code	Package Name	Package Type	Operating Range
4.1	CY74FCT163H245CPAC	Z48	48-Lead (240-Mil) TSSOP	Commercial
	CY74FCT163H245CPVC	O48	48-Lead (300-Mil) SSOP	
4.5	CY74FCT163H245APAC	Z48	48-Lead (240-Mil) TSSOP	Commercial
	CY74FCT163H245APVC	O48	48-Lead (300-Mil) SSOP	

Note:

- 14. Minimum limits are guaranteed but not tested on Propagation Delays.
- 15. For $V_{CC}=2.7$, propagation delay, output enable and output disable times should be degraded by 20%.
- 16. See "Parameter Measurement Information" in the General Information section.
- 17. Skew between any two outputs of the same package switching in the same direction. This parameter is guaranteed by design.

Package Diagrams

48-Lead Shrunken Small Outline Package O48



48-Lead Thin Shrunken Small Outline Package Z48

