

FEATURES

- Meets or Exceeds the Requirements of IBM® 360/370 Input/Output Interface Specification for 4.5-Mb/s Operation
- Single 5-V Supply
- Uncommitted Emitter-Follower Output Structure for Party-Line Operation
- Driver Output Short-Circuit Protection
- Driver Input/Receiver Output Compatible With TTL
- Receiver Input Resistance . . . 7.4 kΩ to 20 kΩ
- Ratio Specification for Propagation Delay Time, Low to High/High to Low

DESCRIPTION/ ORDERING INFORMATION

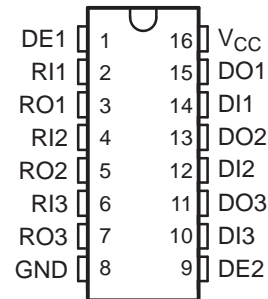
The SN751730 triple line driver/receiver is specifically designed to meet the input/output interface specifications for IBM System 360/370. It also is compatible with standard TTL logic and supply voltage levels.

The low-impedance emitter-follower driver outputs of the SN751730 drive terminated lines, such as coaxial cable or twisted pair. Having the outputs uncommitted allows wired-OR logic to be performed in party-line applications. Output short-circuit protection is provided by an internal clamping network that turns on when the output voltage drops below approximately 2.5 V.

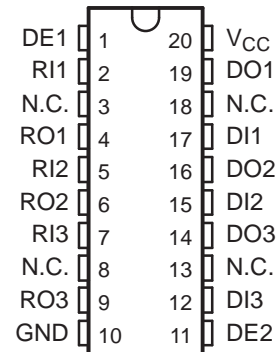
An open line affects the receiver input as does a low-level input voltage.

All the driver inputs and receiver outputs are in conventional TTL configuration and the gating can be used during power-up and power-down sequences to ensure that no noise is introduced to the line by pulling either DE1 or DE2 to a low level.

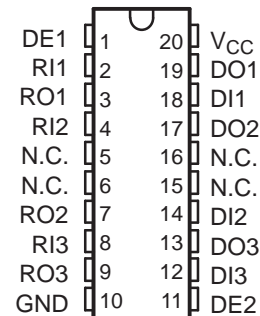
D OR N PACKAGE
(TOP VIEW)



DW PACKAGE
(TOP VIEW)



NS PACKAGE
(TOP VIEW)



N.C. – No internal connection



Please be aware that an important notice concerning availability, standard warranty, and use in critical applications of Texas Instruments semiconductor products and disclaimers thereto appears at the end of this data sheet.

IBM is a registered trademark of International Business Machines Corporation.

ORDERING INFORMATION

T _A	PACKAGE ⁽¹⁾⁽²⁾		ORDERABLE PART NUMBER	TOP-SIDE MARKING
0°C to 70°C	PDIP – N	Tube	SN751730N	SN751730N
	SOIC – D	Tube	SN751730D	SN751730
		Tape and reel	SN751730DR	
	SOIC – DW	Tube	SN751730DW	SN751730
		Tape and reel	SN751730DWR	
	SOP – NS	Tape and reel	SN751730NSR	SN751730

- (1) Package drawings, thermal data, and symbolization are available at www.ti.com/packaging.
(2) For the most current package and ordering information, see the Package Option Addendum at the end of this document, or see the TI website at www.ti.com.

FUNCTION TABLES

EACH DRIVER

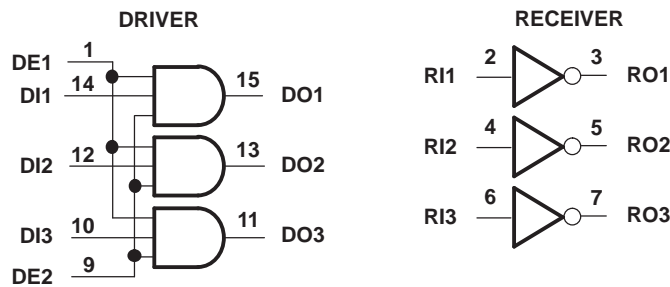
INPUTS			OUTPUT DO
DI	DE1	DE2	
L	X	X	L
X	L	X	L
X	X	L	L
H	H	H	H

EACH DRIVER⁽¹⁾

INPUT RI	OUTPUT RO
L	H
H	L
Open	H

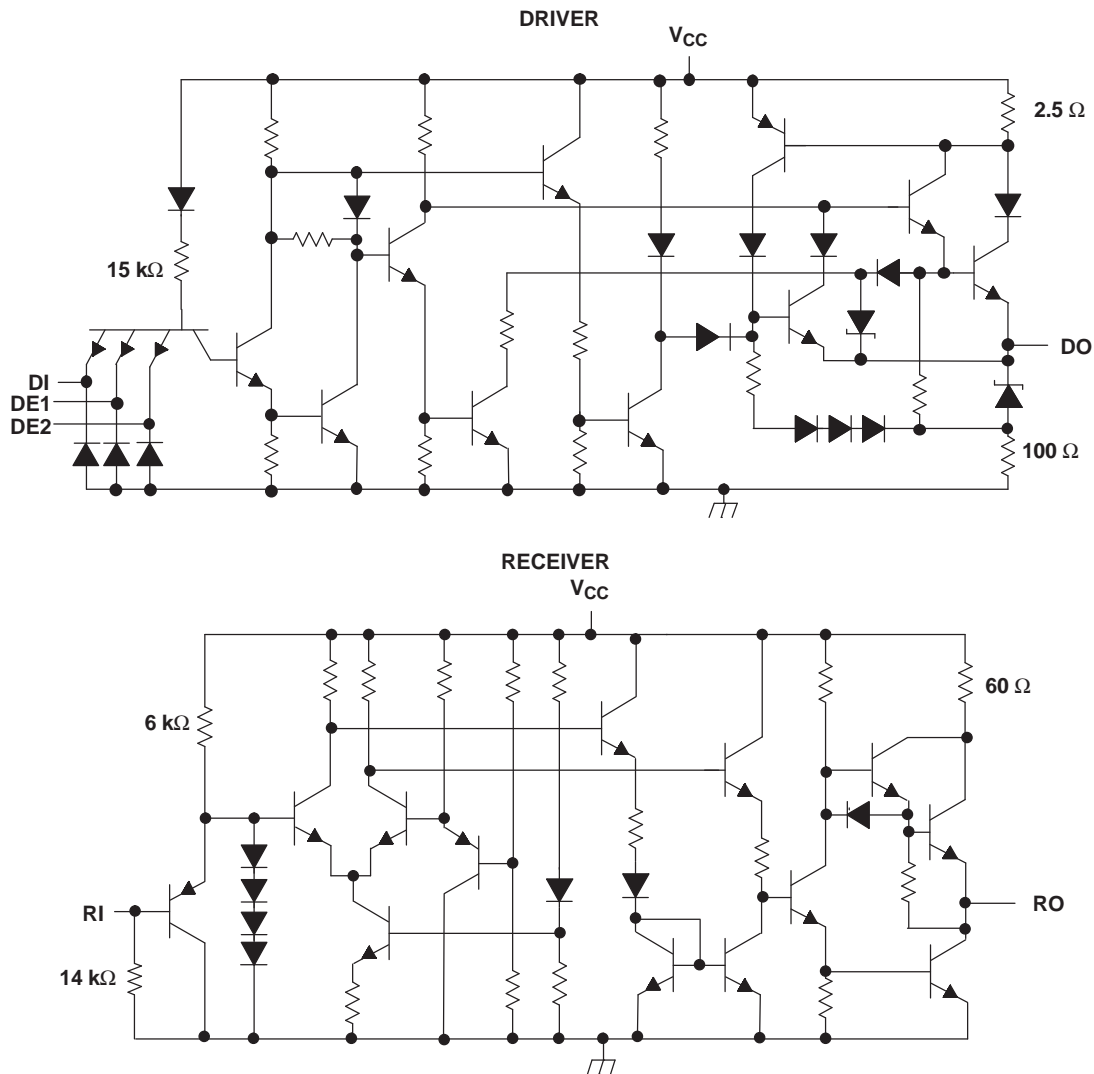
- (1) H = high level, L = low level, X = irrelevant

LOGIC DIAGRAM (POSITIVE LOGIC)



Pin numbers shown are for the D and N package only.

EQUIVALENT SCHEMATICS OF DRIVER AND RECEIVER⁽¹⁾



(1) All resistor values are nominal.

SN751730 TRIPLE LINE DRIVER/RECEIVER

SLLS062E – MAY 1990 – REVISED AUGUST 2007

Absolute Maximum Ratings⁽¹⁾

over operating free-air temperature range (unless otherwise noted)

		MIN	MAX	UNIT	
V _{CC}	Supply voltage ⁽²⁾		7	V	
V _I	Input voltage range	Driver	-0.5	7	V
		Receiver	-0.5	7	V
V _O	Output voltage range	Driver	-0.5	7	V
	Enable input voltage range		-0.5	7	V
θ _{JA}	Package thermal impedance ⁽³⁾	D package		73	°C/W
		DW package		58	
		N package		67	
		NS package		60	
T _J	Operating virtual junction temperature		150	°C	
	Lead temperature 1,6 mm (1/16 inch) from case for 10 s		260	°C	
T _{stg}	Storage temperature range	-65	150	°C/W	

- (1) Stresses beyond those listed under "absolute maximum ratings" may cause permanent damage to the device. These are stress ratings only, and functional operation of the device at these or any other conditions beyond those indicated under "recommended operating conditions" is not implied. Exposure to absolute-maximum-rated conditions for extended periods may affect device reliability.
- (2) All voltage values are with respect to network ground terminal.
- (3) The package thermal impedance is calculated in accordance with JESD 51-7.

Recommended Operating Conditions

		MIN	NOM	MAX	UNIT
V _{CC}	Supply voltage	4.75	5	5.25	V
V _{IH}	High-level input voltage	Driver, Enable	2		V
		Receiver	1.55		
V _{IL}	Low-level input voltage	Driver, Enable		0.8	V
		Receiver		1.15	
T _A	Operating free-air temperature	0		70	°C

DRIVER SECTION

Electrical Characteristics

over recommended ranges of supply voltage and operating free-air temperature (unless otherwise noted)

PARAMETER		TEST CONDITIONS		MIN	MAX	UNIT	
V_{IK}	Input clamp voltage	$V_{CC} = 4.75\text{ V}$,	$I_{IL} = -18\text{ mA}$		-1.5	V	
V_{OH}	High-level output voltage	$V_{CC} = 4.75\text{ V}$,	$V_{IH} = 2\text{ V}$,	3.11		V	
		$I_{OH} = -59.3\text{ mA}$	$T_A = 25^\circ\text{C}$				
		$V_{CC} = 5.25\text{ V}$,	$V_{IH} = 2\text{ V}$,		4.1		
		$I_{OH} = -78.1\text{ mA}$					
		$V_{CC} = 4.75\text{ V}$,	$V_{IH} = 2\text{ V}$,	3.05			
		$R_L = 51.4\ \Omega$					
		$V_{CC} = 5.25\text{ V}$,	$V_{IH} = 2\text{ V}$,		4.2		
		$R_L = 56.9\ \Omega$					
V_{ODH}	Differential high-level output voltage	$R_L = 46.3\ \Omega$ or $56.9\ \Omega$			0.5	V	
V_{OL}	Low-level output voltage	$V_{CC} = 5.25\text{ V}$,	$I_{OL} = -0.24\text{ mA}$		0.15	V	
			$V_{IL} = 0.8\text{ V}$,	$R_L = 56.9\ \Omega$			0.15
		$V_{IH} = 4.5\text{ V}$					
I_{IH}	High-level input current	$V_{CC} = 5.25\text{ V}$,	$V_{IH} = 2.7\text{ V}$		20	μA	
				DE	60		
I_{IL}	Low-level input current	$V_{CC} = 5.25\text{ V}$,	$V_{IH} = 0.4\text{ V}$		-400	μA	
				DE	-1200		
I_{OH}	High-level output current	$V_{CC} = 4.75\text{ V}$,	$V_{IL} = 0$		100	μA	
		$V_{OH} = 5\text{ V}$	$V_{IH} = 4.5\text{ V}$		100		
I_{OS}	Short-circuit output current ⁽¹⁾	$V_{CC} = 5.25\text{ V}$	$V_{IH} = 4.5\text{ V}$		-30	mA	
I_{CCH}	Supply current (total package)	$V_{CC} = 5.25\text{ V}$,	No load	$V_{I(D)} = 4.5\text{ V}$,		47	mA
I_{CCL}				$V_{I(R)} = 0$		80	
				$V_{I(D)} = 0$,			
				$V_{I(R)} = 4.5\text{ V}$			

(1) Not more than one output should be shorted at a time, and duration of the short circuit should not exceed one second.

Switching Characteristics

$V_{CC} = 5\text{ V} + 5\%$, $T_A = 25^\circ\text{C}$

PARAMETER		TEST CONDITIONS		MIN	TYP	MAX	UNIT
t_{PLH}	Propagation delay time, low- to high-level output	$R_L = 47.5\ \Omega$,	See Figure 1	6.5	12	18.5	ns
t_{PHL}	Propagation delay time, high- to low-level output			6.5	12	18.5	ns
Δt_{pd}	Differential propagation delay time ⁽¹⁾					10	ns
t_r	Output rise time	$V_{CC} = 5\text{ V}$,	$V_O = 0.15\text{ V}$ to 3.05 V ,	5	10		ns
		$R_L = 47.5\ \Omega$,	V_i				
t_f	Output fall time	See Figure 1	$C_L = 10.2\text{ pF}$,	5	13		ns
SR	Slew rate	$V_O = 1\text{ V}$ to 3 V average, $R_L = 47.5\ \Omega$,	$C_L = 10.2\text{ pF}$,			0.65	V/ns
		See Figure 1					

(1) $\Delta t_{pd} = |t_{PLH} - t_{PHL}|$

RECEIVER SECTION

Electrical Characteristics

over operating free-air temperature range (unless otherwise noted)

PARAMETER		TEST CONDITIONS		MIN	MAX	UNIT
V_{OH}	High-level output voltage	$V_{CC} = 4.75\text{ V}$, $I_{OH} = -400\ \mu\text{A}$	$V_I = 1.15\text{ V}$,	2.7		V
V_{OL}	Low-level output voltage	$V_{CC} = 4.75\text{ V}$, $V_{IH} = 1.55\text{ V}$	$I_{OL} = 8\text{ mA}$		0.5	V
			$I_{OL} = 4\text{ mA}$		0.4	
r_i	Input resistance	$V_{CC} = 0$,	$V_I = 0.15\text{ V to }3.9\text{ V}$	7.4	20	k Ω
I_{IH}	High-level input current	$V_{CC} = 4.75\text{ V}$,	$V_{IH} = 3.11\text{ V}$		0.42	mA
I_{IL}	Low-level input current	$V_{CC} = 5.25\text{ V}$,	$V_{IL} = 0.15\text{ V}$	-0.24	0.04	mA
$I_{OS}^{(1)}$	Short-circuit output current	$V_{CC} = 5.25\text{ V}$,	$V_{IL} = 0$	-20	-100	mA
I_{CCH}	Supply current (total package)	$V_{CC} = 5.25\text{ V}$, No load	$V_{I(D)} = 4.5\text{ V}$, $V_{I(R)} = 0$		47	mA
I_{CCL}			$V_{I(D)} = 0$, $V_{I(R)} = 4.5\text{ V}$		80	

(1) Not more than one output should be shorted at a time, and duration of the short circuit should not exceed one second.

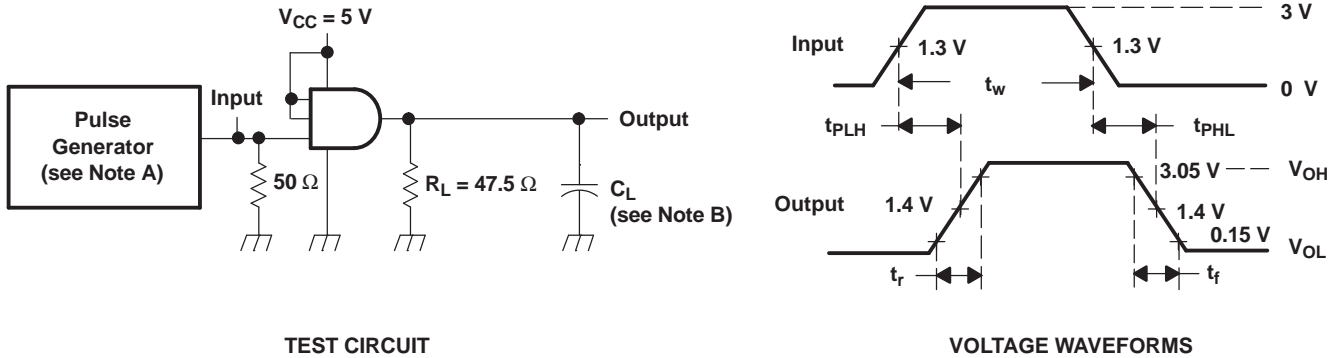
Switching Characteristics

$V_{CC} = 5\text{ V} + 5\%$, $T_A = 25^\circ\text{C}$

PARAMETER		TEST CONDITIONS	MIN	TYP	MAX	UNIT
t_{PLH}	Propagation delay time, low- to high-level output	$R_L = 2\text{ k}\Omega$, $C_L = 15\text{ pF}$, See Figure 2	7.5	12	19.5	ns
t_{PHL}	Propagation delay time, high- to low-level output		7.5	12	19.5	ns
$\Delta t_{pd}^{(1)}$	Differential propagation delay time				10	ns

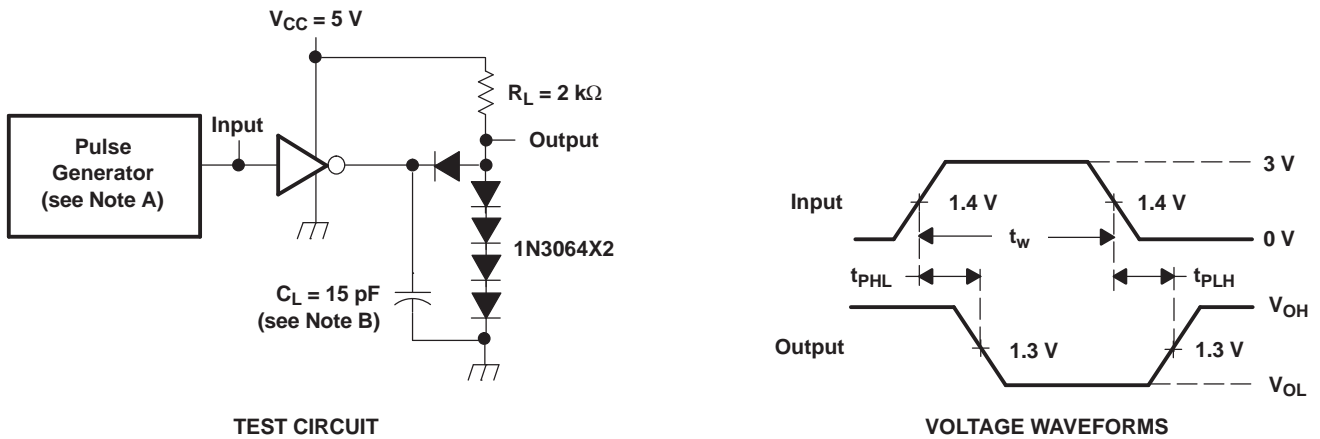
(1) $\Delta t_{pd} = |t_{PLH} - t_{PHL}|$

PARAMETER MEASUREMENT INFORMATION



NOTES: A. The pulse generator has the following characteristics: $Z_O \approx 50 \Omega$, $t_w \leq 500$ ns, $PRR \leq 1$ MHz, $t_f \leq 6$ ns, $t_r \leq 15$ ns.
B. C_L includes probe and jig capacitance.

Figure 1. Driver Test Circuit and Voltage Waveforms



NOTES: A. The pulse generator has the following characteristics: $Z_O \approx 50 \Omega$, $t_w \leq 500$ ns, $PRR \leq 1$ MHz, $t_f \leq 10$ ns, $t_r \leq 10$ ns.
B. C_L includes probe and jig capacitance.

Figure 2. Receiver Test Circuit and Voltage Waveforms

PACKAGING INFORMATION

Orderable Device	Status (1)	Package Type	Package Drawing	Pins	Package Qty	Eco Plan (2)	Lead/Ball Finish (6)	MSL Peak Temp (3)	Op Temp (°C)	Device Marking (4/5)	Samples
SN751730D	ACTIVE	SOIC	D	16	40	Green (RoHS & no Sb/Br)	CU NIPDAU	Level-1-260C-UNLIM	0 to 70	SN751730	Samples
SN751730DE4	ACTIVE	SOIC	D	16	40	Green (RoHS & no Sb/Br)	CU NIPDAU	Level-1-260C-UNLIM	0 to 70	SN751730	Samples
SN751730DWR	ACTIVE	SOIC	DW	20	2000	Green (RoHS & no Sb/Br)	CU NIPDAU	Level-1-260C-UNLIM		SN751730	Samples
SN751730N	ACTIVE	PDIP	N	16	25	Pb-Free (RoHS)	CU NIPDAU	N / A for Pkg Type	0 to 70	SN751730N	Samples
SN751730PWR	ACTIVE	TSSOP	PW	16	2000	Green (RoHS & no Sb/Br)	CU NIPDAU	Level-1-260C-UNLIM		A1730	Samples

(1) The marketing status values are defined as follows:

ACTIVE: Product device recommended for new designs.

LIFEBUY: TI has announced that the device will be discontinued, and a lifetime-buy period is in effect.

NRND: Not recommended for new designs. Device is in production to support existing customers, but TI does not recommend using this part in a new design.

PREVIEW: Device has been announced but is not in production. Samples may or may not be available.

OBSOLETE: TI has discontinued the production of the device.

(2) Eco Plan - The planned eco-friendly classification: Pb-Free (RoHS), Pb-Free (RoHS Exempt), or Green (RoHS & no Sb/Br) - please check <http://www.ti.com/productcontent> for the latest availability information and additional product content details.

TBD: The Pb-Free/Green conversion plan has not been defined.

Pb-Free (RoHS): TI's terms "Lead-Free" or "Pb-Free" mean semiconductor products that are compatible with the current RoHS requirements for all 6 substances, including the requirement that lead not exceed 0.1% by weight in homogeneous materials. Where designed to be soldered at high temperatures, TI Pb-Free products are suitable for use in specified lead-free processes.

Pb-Free (RoHS Exempt): This component has a RoHS exemption for either 1) lead-based flip-chip solder bumps used between the die and package, or 2) lead-based die adhesive used between the die and leadframe. The component is otherwise considered Pb-Free (RoHS compatible) as defined above.

Green (RoHS & no Sb/Br): TI defines "Green" to mean Pb-Free (RoHS compatible), and free of Bromine (Br) and Antimony (Sb) based flame retardants (Br or Sb do not exceed 0.1% by weight in homogeneous material)

(3) MSL, Peak Temp. - The Moisture Sensitivity Level rating according to the JEDEC industry standard classifications, and peak solder temperature.

(4) There may be additional marking, which relates to the logo, the lot trace code information, or the environmental category on the device.

(5) Multiple Device Markings will be inside parentheses. Only one Device Marking contained in parentheses and separated by a "~" will appear on a device. If a line is indented then it is a continuation of the previous line and the two combined represent the entire Device Marking for that device.

⁽⁶⁾ Lead/Ball Finish - Orderable Devices may have multiple material finish options. Finish options are separated by a vertical ruled line. Lead/Ball Finish values may wrap to two lines if the finish value exceeds the maximum column width.

Important Information and Disclaimer:The information provided on this page represents TI's knowledge and belief as of the date that it is provided. TI bases its knowledge and belief on information provided by third parties, and makes no representation or warranty as to the accuracy of such information. Efforts are underway to better integrate information from third parties. TI has taken and continues to take reasonable steps to provide representative and accurate information but may not have conducted destructive testing or chemical analysis on incoming materials and chemicals. TI and TI suppliers consider certain information to be proprietary, and thus CAS numbers and other limited information may not be available for release.

In no event shall TI's liability arising out of such information exceed the total purchase price of the TI part(s) at issue in this document sold by TI to Customer on an annual basis.

TAPE AND REEL INFORMATION



QUADRANT ASSIGNMENTS FOR PIN 1 ORIENTATION IN TAPE



*All dimensions are nominal

Device	Package Type	Package Drawing	Pins	SPQ	Reel Diameter (mm)	Reel Width W1 (mm)	A0 (mm)	B0 (mm)	K0 (mm)	P1 (mm)	W (mm)	Pin1 Quadrant
SN751730DWR	SOIC	DW	20	2000	330.0	24.4	10.8	13.3	2.7	12.0	24.0	Q1
SN751730PWR	TSSOP	PW	16	2000	330.0	12.4	6.9	5.6	1.6	8.0	12.0	Q1

TAPE AND REEL BOX DIMENSIONS


*All dimensions are nominal

Device	Package Type	Package Drawing	Pins	SPQ	Length (mm)	Width (mm)	Height (mm)
SN751730DWR	SOIC	DW	20	2000	367.0	367.0	45.0
SN751730PWR	TSSOP	PW	16	2000	367.0	367.0	35.0

N (R-PDIP-T**)

PLASTIC DUAL-IN-LINE PACKAGE

16 PINS SHOWN



- NOTES:
- A. All linear dimensions are in inches (millimeters).
 - B. This drawing is subject to change without notice.
 - Falls within JEDEC MS-001, except 18 and 20 pin minimum body length (Dim A).
 - The 20 pin end lead shoulder width is a vendor option, either half or full width.

DW (R-PDSO-G20)

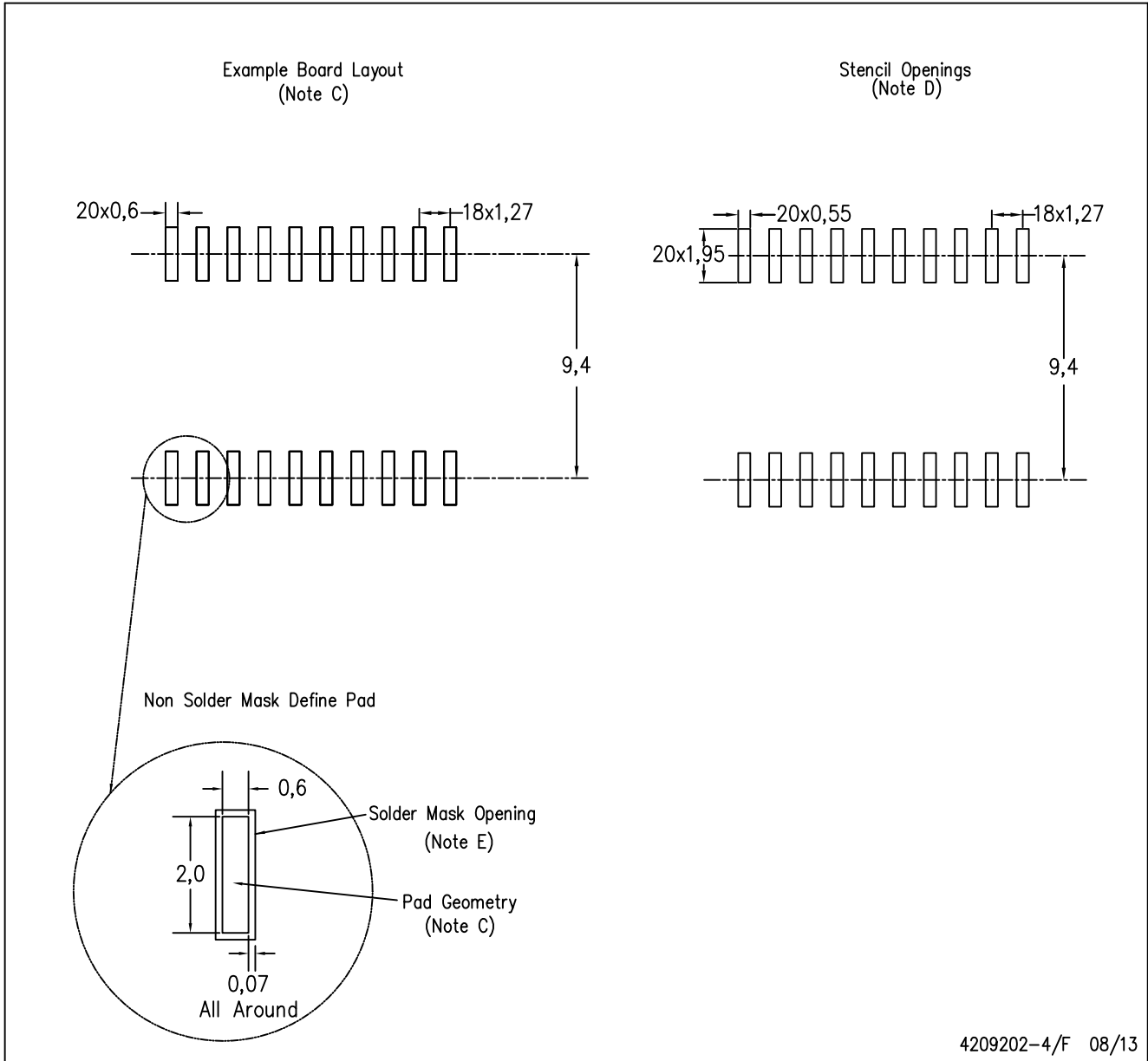
PLASTIC SMALL OUTLINE



- NOTES:
- A. All linear dimensions are in inches (millimeters). Dimensioning and tolerancing per ASME Y14.5M-1994.
 - B. This drawing is subject to change without notice.
 - C. Body dimensions do not include mold flash or protrusion not to exceed 0.006 (0,15).
 - D. Falls within JEDEC MS-013 variation AC.

DW (R-PDSO-G20)

PLASTIC SMALL OUTLINE



4209202-4/F 08/13

- NOTES:
- A. All linear dimensions are in millimeters.
 - B. This drawing is subject to change without notice.
 - C. Refer to IPC7351 for alternate board design.
 - D. Laser cutting apertures with trapezoidal walls and also rounding corners will offer better paste release. Customers should contact their board assembly site for stencil design recommendations. Refer to IPC-7525
 - E. Customers should contact their board fabrication site for solder mask tolerances between and around signal pads.

D (R-PDSO-G16)

PLASTIC SMALL OUTLINE



- NOTES:
- A. All linear dimensions are in inches (millimeters).
 - B. This drawing is subject to change without notice.
 - C. Body length does not include mold flash, protrusions, or gate burrs. Mold flash, protrusions, or gate burrs shall not exceed 0.006 (0,15) each side.
 - D. Body width does not include interlead flash. Interlead flash shall not exceed 0.017 (0,43) each side.
 - E. Reference JEDEC MS-012 variation AC.

D (R-PDSO-G16)

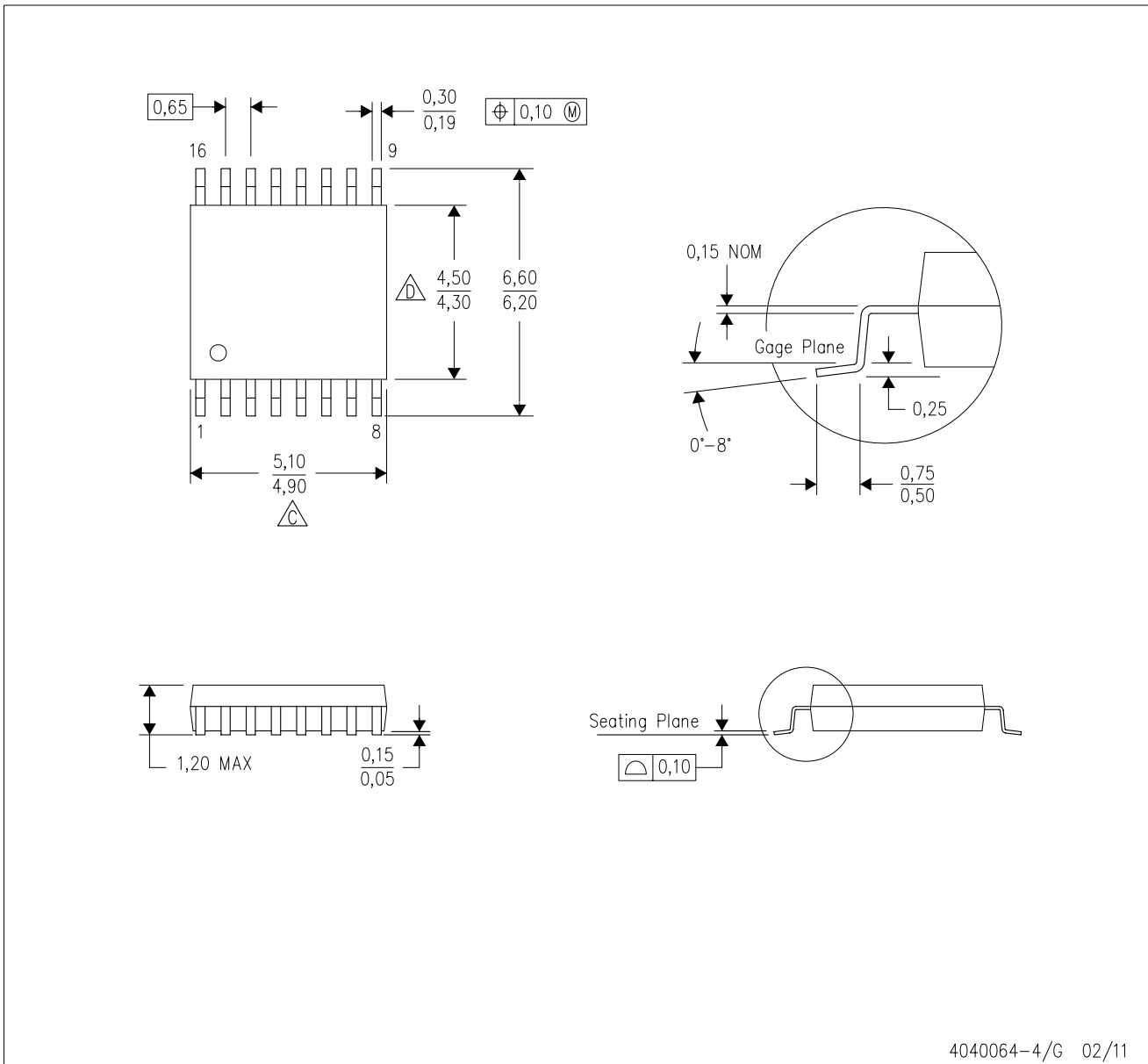
PLASTIC SMALL OUTLINE





- NOTES:
- A. All linear dimensions are in millimeters.
 - B. This drawing is subject to change without notice.
 - C. Publication IPC-7351 is recommended for alternate designs.
 - D. Laser cutting apertures with trapezoidal walls and also rounding corners will offer better paste release. Customers should contact their board assembly site for stencil design recommendations. Refer to IPC-7525 for other stencil recommendations.
 - E. Customers should contact their board fabrication site for solder mask tolerances between and around signal pads.

PW (R-PDSO-G16)

PLASTIC SMALL OUTLINE



4040064-4/G 02/11

- NOTES:
- A. All linear dimensions are in millimeters. Dimensioning and tolerancing per ASME Y14.5M-1994.
 - B. This drawing is subject to change without notice.
 -  C. Body length does not include mold flash, protrusions, or gate burrs. Mold flash, protrusions, or gate burrs shall not exceed 0,15 each side.
 -  D. Body width does not include interlead flash. Interlead flash shall not exceed 0,25 each side.
 - E. Falls within JEDEC MO-153

PW (R-PDSO-G16)

PLASTIC SMALL OUTLINE



- NOTES:
- All linear dimensions are in millimeters.
 - This drawing is subject to change without notice.
 - Publication IPC-7351 is recommended for alternate designs.
 - Laser cutting apertures with trapezoidal walls and also rounding corners will offer better paste release. Customers should contact their board assembly site for stencil design recommendations. Refer to IPC-7525 for other stencil recommendations.
 - Customers should contact their board fabrication site for solder mask tolerances between and around signal pads.

IMPORTANT NOTICE

Texas Instruments Incorporated and its subsidiaries (TI) reserve the right to make corrections, enhancements, improvements and other changes to its semiconductor products and services per JESD46, latest issue, and to discontinue any product or service per JESD48, latest issue. Buyers should obtain the latest relevant information before placing orders and should verify that such information is current and complete. All semiconductor products (also referred to herein as "components") are sold subject to TI's terms and conditions of sale supplied at the time of order acknowledgment.

TI warrants performance of its components to the specifications applicable at the time of sale, in accordance with the warranty in TI's terms and conditions of sale of semiconductor products. Testing and other quality control techniques are used to the extent TI deems necessary to support this warranty. Except where mandated by applicable law, testing of all parameters of each component is not necessarily performed.

TI assumes no liability for applications assistance or the design of Buyers' products. Buyers are responsible for their products and applications using TI components. To minimize the risks associated with Buyers' products and applications, Buyers should provide adequate design and operating safeguards.

TI does not warrant or represent that any license, either express or implied, is granted under any patent right, copyright, mask work right, or other intellectual property right relating to any combination, machine, or process in which TI components or services are used. Information published by TI regarding third-party products or services does not constitute a license to use such products or services or a warranty or endorsement thereof. Use of such information may require a license from a third party under the patents or other intellectual property of the third party, or a license from TI under the patents or other intellectual property of TI.

Reproduction of significant portions of TI information in TI data books or data sheets is permissible only if reproduction is without alteration and is accompanied by all associated warranties, conditions, limitations, and notices. TI is not responsible or liable for such altered documentation. Information of third parties may be subject to additional restrictions.

Resale of TI components or services with statements different from or beyond the parameters stated by TI for that component or service voids all express and any implied warranties for the associated TI component or service and is an unfair and deceptive business practice. TI is not responsible or liable for any such statements.

Buyer acknowledges and agrees that it is solely responsible for compliance with all legal, regulatory and safety-related requirements concerning its products, and any use of TI components in its applications, notwithstanding any applications-related information or support that may be provided by TI. Buyer represents and agrees that it has all the necessary expertise to create and implement safeguards which anticipate dangerous consequences of failures, monitor failures and their consequences, lessen the likelihood of failures that might cause harm and take appropriate remedial actions. Buyer will fully indemnify TI and its representatives against any damages arising out of the use of any TI components in safety-critical applications.

In some cases, TI components may be promoted specifically to facilitate safety-related applications. With such components, TI's goal is to help enable customers to design and create their own end-product solutions that meet applicable functional safety standards and requirements. Nonetheless, such components are subject to these terms.

No TI components are authorized for use in FDA Class III (or similar life-critical medical equipment) unless authorized officers of the parties have executed a special agreement specifically governing such use.

Only those TI components which TI has specifically designated as military grade or "enhanced plastic" are designed and intended for use in military/aerospace applications or environments. Buyer acknowledges and agrees that any military or aerospace use of TI components which have **not** been so designated is solely at the Buyer's risk, and that Buyer is solely responsible for compliance with all legal and regulatory requirements in connection with such use.

TI has specifically designated certain components as meeting ISO/TS16949 requirements, mainly for automotive use. In any case of use of non-designated products, TI will not be responsible for any failure to meet ISO/TS16949.

Products

Audio	www.ti.com/audio
Amplifiers	amplifier.ti.com
Data Converters	dataconverter.ti.com
DLP® Products	www.dlp.com
DSP	dsp.ti.com
Clocks and Timers	www.ti.com/clocks
Interface	interface.ti.com
Logic	logic.ti.com
Power Mgmt	power.ti.com
Microcontrollers	microcontroller.ti.com
RFID	www.ti-rfid.com
OMAP Applications Processors	www.ti.com/omap
Wireless Connectivity	www.ti.com/wirelessconnectivity

Applications

Automotive and Transportation	www.ti.com/automotive
Communications and Telecom	www.ti.com/communications
Computers and Peripherals	www.ti.com/computers
Consumer Electronics	www.ti.com/consumer-apps
Energy and Lighting	www.ti.com/energy
Industrial	www.ti.com/industrial
Medical	www.ti.com/medical
Security	www.ti.com/security
Space, Avionics and Defense	www.ti.com/space-avionics-defense
Video and Imaging	www.ti.com/video

TI E2E Community

e2e.ti.com