

March 1997

4A, 100V - 200V Ultrafast Diodes

Features

- Ultrafast with Soft Recovery <30ns
- Operating Temperature +175°C
- Reverse Voltage Up to 200V
- Avalanche Energy Rated
- Planar Construction

Applications

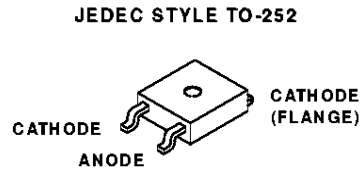
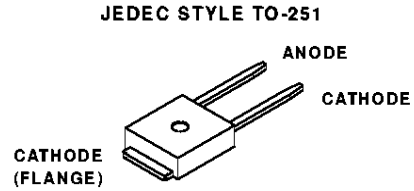
- Switching Power Supplies
- Power Switching Circuits
- General Purpose

Description

RURD410, RURD415, RURD420, RURD410S, RURD415S, and RURD420S (TA49034) are ultrafast diodes with soft recovery characteristics ($t_{RR} < 30ns$). They have low forward voltage drop and are ion-implanted epitaxial planar construction.

These devices are intended for use as freewheeling/clamping diodes and rectifiers in a variety of switching power supplies and other power switching applications. Their low stored charge and ultrafast soft recovery minimize ringing and electrical noise in many power switching circuits, reducing power loss in the switching transistors.

Package



Symbol



PACKAGING AVAILABILITY

PART NUMBER	PACKAGE	BRAND
RURD410	TO-251	RUR410
RURD415	TO-251	RUR415
RURD420	TO-251	RUR420
RURD410S	TO-252	RUR410
RURD415S	TO-252	RUR415
RURD420S	TO-252	RUR420

NOTE: When ordering, use the entire part number.

Absolute Maximum Ratings $T_C = +25^\circ C$, Unless Otherwise Specified

	RURD410 RURD410S	RURD415 RURD415S	RURD420 RURD420S	UNITS
Peak Repetitive Reverse Voltage V_{RRM}	100	150	200	V
Working Peak Reverse Voltage V_{RWM}	100	150	200	V
DC Blocking Voltage V_R	100	150	200	V
Average Rectified Forward Current $I_{F(AV)}$ ($T_C = +159^\circ C$)	4	4	4	A
Repetitive Peak Surge Current I_{FSM} (Square Wave, 20kHz)	8	8	8	A
Nonrepetitive Peak Surge Current I_{FSM} (Halfwave, 1 Phase, 60Hz)	40	40	40	A
Maximum Power Dissipation P_D	30	30	30	W
Avalanche Energy (L = 40mH) E_{AVL}	10	10	10	mj
Operating and Storage Temperature T_{STG}, T_J	-65 to +175	-65 to +175	-65 to +175	°C

Specifications RURD410, RURD415, RURD420, RURD410S, RURD415S, RURD420S

Electrical Specifications $T_C = +25^\circ\text{C}$, Unless Otherwise Specified

SYMBOL	TEST CONDITION	LIMITS									UNITS
		RURD410 RURD410S			RURD415 RURD415S			RURD420 RURD420S			
		MIN	TYP	MAX	MIN	TYP	MAX	MIN	TYP	MAX	
V_F	$I_F = 4\text{A}, T_C = +25^\circ\text{C}$	-	-	1.0	-	-	1.0	-	-	1.0	V
V_F	$I_F = 4\text{A}, T_C = +150^\circ\text{C}$	-	-	0.83	-	-	0.83	-	-	0.83	
I_R	$V_R = 100\text{V}, T_C = +25^\circ\text{C}$ $V_R = 150\text{V}, T_C = +25^\circ\text{C}$ $V_R = 200\text{V}, T_C = +25^\circ\text{C}$	-	-	100	-	-	100	-	-	-	μA
I_R	$V_R = 100\text{V}, T_C = +150^\circ\text{C}$ $V_R = 150\text{V}, T_C = +150^\circ\text{C}$ $V_R = 200\text{V}, T_C = +150^\circ\text{C}$	-	-	500	-	-	500	-	-	-	μA
t_{RR}	$I_F = 1\text{A}, di_F/dt = 100\text{A}/\mu\text{s}$	-	-	30	-	-	30	-	-	30	ns
	$I_F = 4\text{A}, di_F/dt = 100\text{A}/\mu\text{s}$	-	-	35	-	-	35	-	-	35	
t_A	$I_F = 4\text{A}, di_F/dt = 100\text{A}/\mu\text{s}$	-	11	-	-	11	-	-	11	-	
t_B	$I_F = 4\text{A}, di_F/dt = 100\text{A}/\mu\text{s}$	-	9	-	-	9	-	-	9	-	
Q_{RR}	$I_F = 4\text{A}, di_F/dt = 100\text{A}/\mu\text{s}$	-	12	-	-	12	-	-	12	-	nC
C_J	$V_R = 10\text{V}, I_F = 0\text{A}$	-	15	-	-	15	-	-	15	-	pF
$R_{\theta JC}$		-	-	5	-	-	5	-	-	5	$^\circ\text{C}/\text{W}$

DEFINITIONS

V_F = Instantaneous forward voltage ($p_w = 300\mu\text{s}, D = 2\%$).

I_R = Instantaneous reverse current.

t_{RR} = Reverse recovery time (See Figure 2), summation of $t_A + t_B$.

t_A = Time to reach peak reverse current (See Figure 2).

t_B = Time from peak I_{RM} to projected zero crossing of I_{RM} based on a straight line from peak I_{RM} through 25% of I_{RM} (See Figure 2).

$R_{\theta JC}$ = Thermal resistance junction to case.

E_{AVL} = Controlled avalanche energy (See Figures 9 and 10).

p_w = pulse width.

D = duty cycle.

V_1 AMPLITUDE CONTROLS I_F
 V_2 AMPLITUDE CONTROLS di_F/dt
 L_1 = SELF INDUCTANCE OF
 $R_4 + L_{LOOP}$

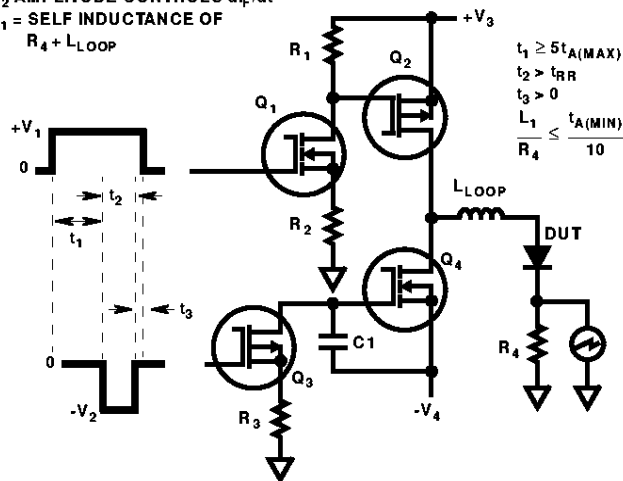


FIGURE 1. t_{RR} TEST CIRCUIT

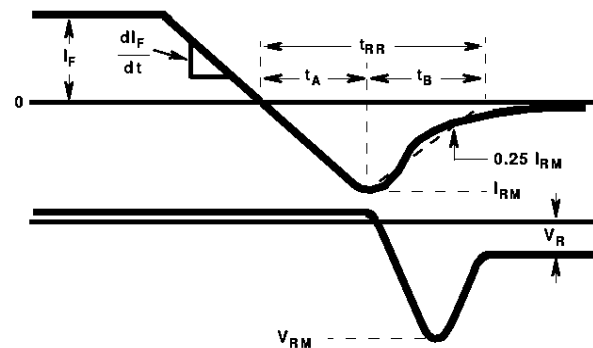


FIGURE 2. t_{RR} WAVEFORMS AND DEFINITIONS

Typical Performance Curves

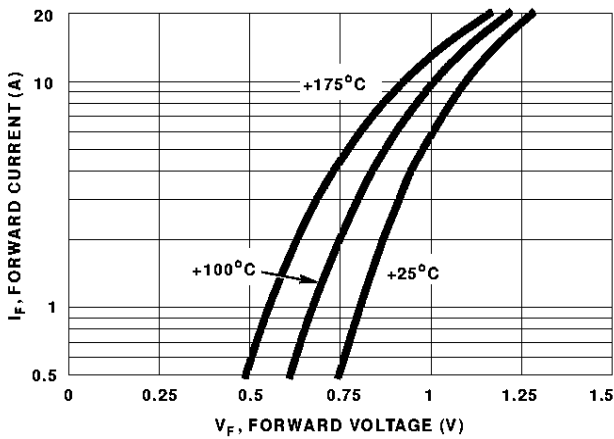


FIGURE 3. TYPICAL FORWARD CURRENT vs FORWARD VOLTAGE DROP

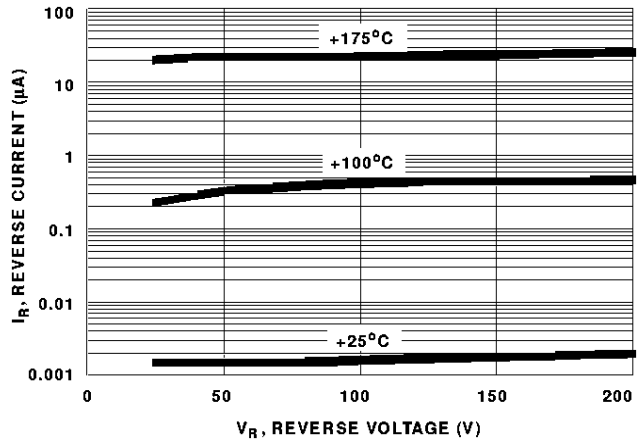


FIGURE 4. TYPICAL REVERSE CURRENT vs REVERSE VOLTAGE

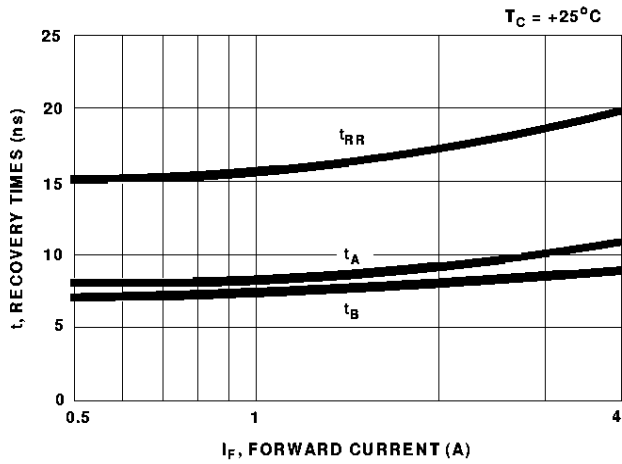


FIGURE 5. TYPICAL t_{RR} , t_A AND t_B CURVES vs FORWARD CURRENT

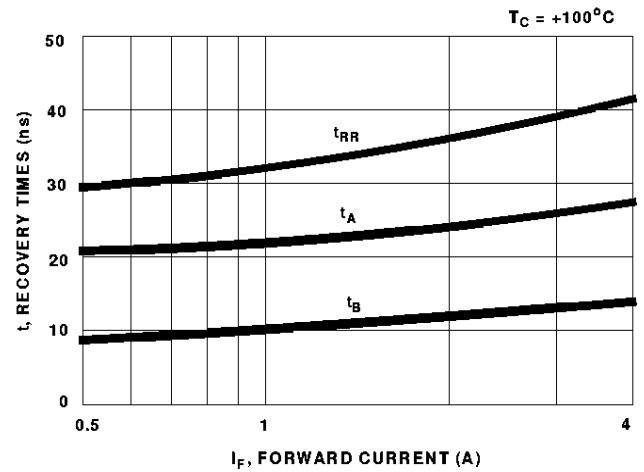


FIGURE 6. TYPICAL t_{RR} , t_A AND t_B CURVES vs FORWARD CURRENT

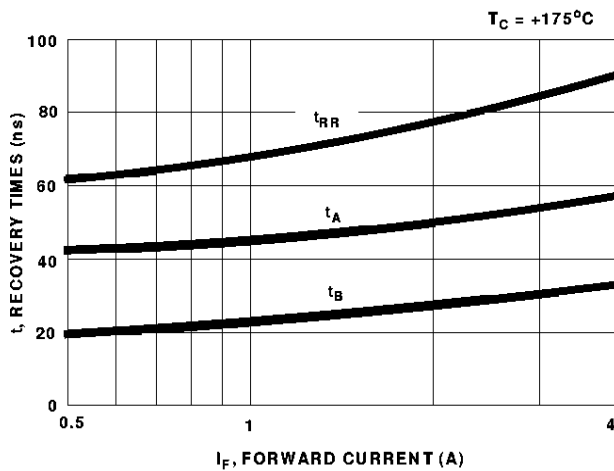


FIGURE 7. TYPICAL t_{RR} , t_A AND t_B CURVES vs FORWARD CURRENT

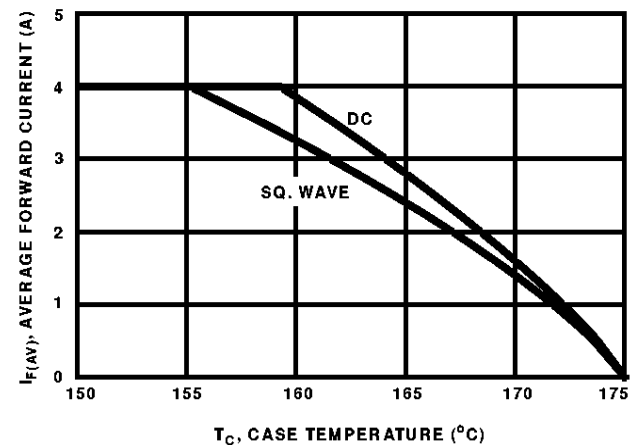


FIGURE 8. CURRENT DERATING CURVE FOR ALL TYPES

$I_{MAX} = 1A$

$L = 40mH$

$R < 0.1\Omega$

$E_{AVL} = 1/2LI^2 [V_{AVL} / (V_{AVL} - V_{DD})]$

Q_1 AND Q_2 ARE 1000V MOSFETs

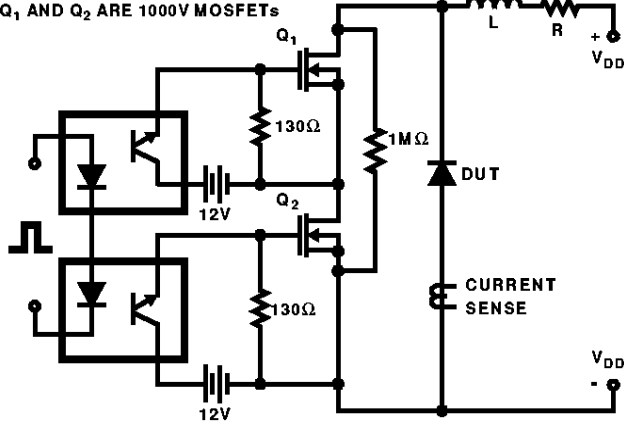


FIGURE 9. AVALANCHE ENERGY TEST CIRCUIT

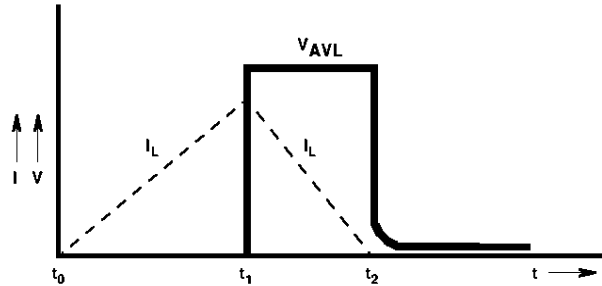


FIGURE 10. AVALANCHE CURRENT AND VOLTAGE WAVEFORMS

Harris Semiconductor products are sold by description only. Harris Semiconductor reserves the right to make changes in circuit design and/or specifications at any time without notice. Accordingly, the reader is cautioned to verify that data sheets are current before placing orders. Information furnished by Harris is believed to be accurate and reliable. However, no responsibility is assumed by Harris or its subsidiaries for its use; nor for any infringements of patents or other rights of third parties which may result from its use. No license is granted by implication or otherwise under any patent or patent rights of Harris or its subsidiaries.

Sales Office Headquarters

For general information regarding Harris Semiconductor and its products, call 1-800-4-HARRIS

UNITED STATES

Harris Semiconductor
1301 Woody Burke Road
Melbourne, Florida 32902
TEL: (407) 724-3000

EUROPE

Harris Semiconductor
Mercure Centre
Rue de la Fusee, 100
1130 Brussels, Belgium
TEL: (32) 2-724-2111

SOUTH ASIA

Harris Semiconductor H.K. Ltd.
13/F Fourseas Building
208-212 Nathan Road
Tsimshatsui, Kowloon
Hong Kong
TEL: (852) 723-6339

NORTH ASIA

Harris K.K.
Shinjuku NS Bldg. Box 6153
2-4-1 Nishi-Shinjuku
Shinjuku-Ku, Tokyo 163 Japan
TEL: (81) 3-3345-8911

