

Wireless LAN Medium Access Controller



The Intersil HFA3841 Wireless LAN Medium Access Controller is part of the PRISM® Enterprise 2.4GHz WLAN chip set. The HFA3841 directly interfaces with the Intersil HFA386x

family of Baseband Processors, offering a complete end-to-end chip set solution for wireless LAN products. Protocol and PHY support are implemented in firmware to allow custom protocol and different PHY transceivers.

The HFA3841 is designed to provide maximum performance with minimum power consumption. External pin layout is organized to provide optimal PC board layout to all user interfaces.

Firmware implements the full IEEE 802.11 Wireless LAN MAC protocol. It supports BSS and IBSS operation under DCF, and operation under the optional Point Coordination Function (PCF). Low level protocol functions such as RTS/CTS generation and acknowledgement, fragmentation and de-fragmentation, and automatic beacon monitoring are handed without host intervention. Active scanning is performed autonomously once initiated by host command. Host interface command and status handshakes allow concurrent operations from multi-threaded I/O drivers. Additional firmware functions specific to access point applications are also available.

Designing wireless protocol systems using the HFA3841 is made easier with the availability of evaluation board, firmware, software device drivers, and complete documentation.

Features

- IEEE802.11 Standard Data Rates: 1, 2, 5.5 and 11Mbps
- Part of the Intersil PRISM Wireless LAN Chip Set
- Full Implementation of the MAC Protocol Specified in IEEE Std. 802.11-1999 and the 802.11b Draft Standard
- Host Interface Supports Full 16-Bit Implementation of PC Card 95, also ISA PnP with Additional Chip
- Host Interface Provides Dual Buffer Access Paths
- External Memory Interface Supports up to 4M bytes RAM
- Internal Encryption Engine Executes IEEE802.11 WEP
- Low Power Operation; 25mA Active, 8mA Doze, <1mA Sleep
- Operation at 2.7V to 3.6V Supply
- 3V to 5V Tolerant Input/Outputs
- 128 Pin LQFP Package Targeted for Type II PC Cards
- IEEE802.11 Wireless LAN MAC Protocol Firmware and Microsoft® Windows® Software Drivers

Applications

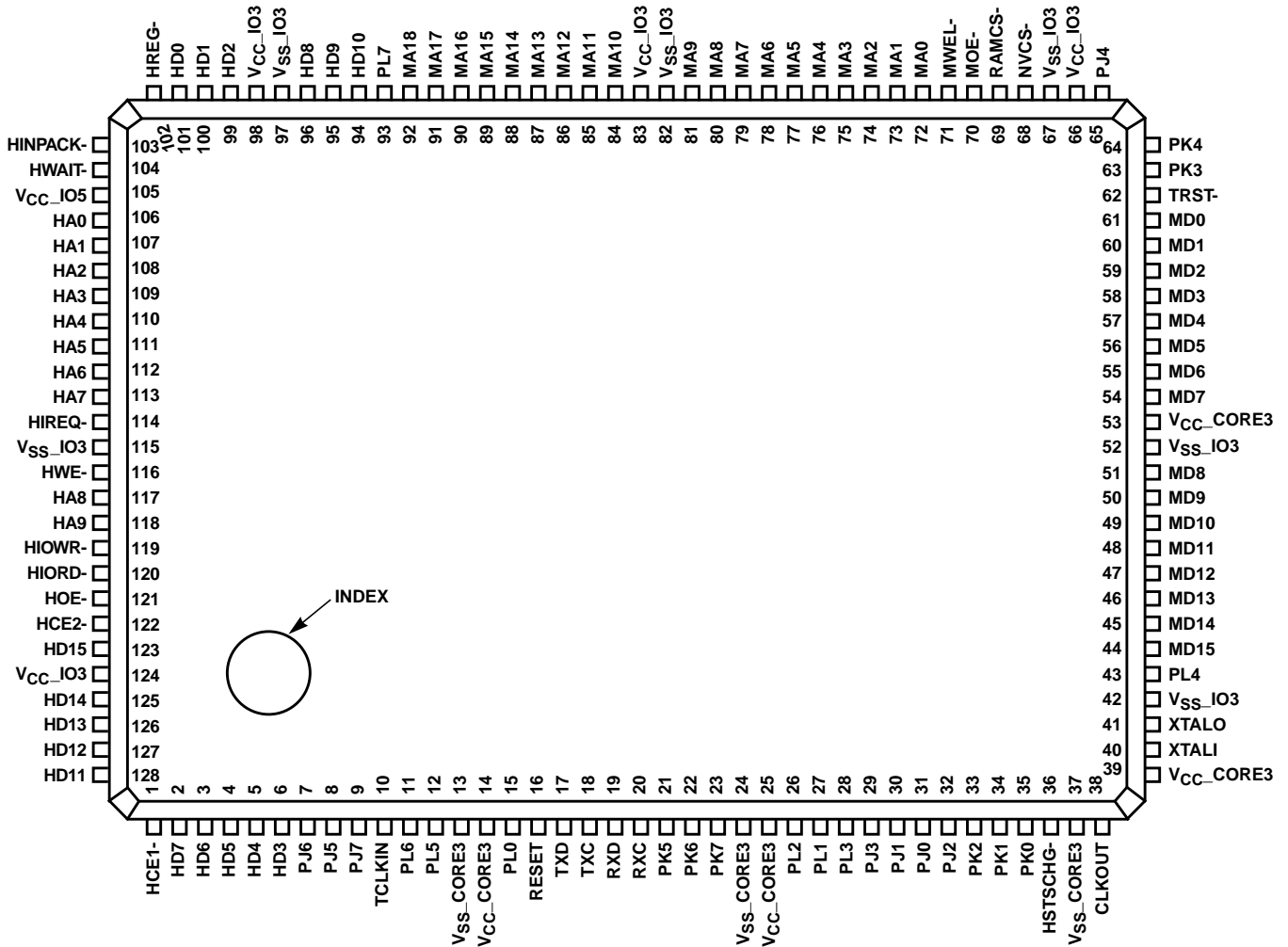
- High Data Rate Wireless LAN
- PC Card Wireless LAN Adapters
- ISA, ISA PnP WLAN Cards
- PCI Wireless LAN Cards (Using Ext. Bridge Chip)
- Wireless LAN Modules
- Wireless LAN Access Points
- Wireless Bridge Products
- Wireless Point-to-Multipoint Systems

Ordering Information

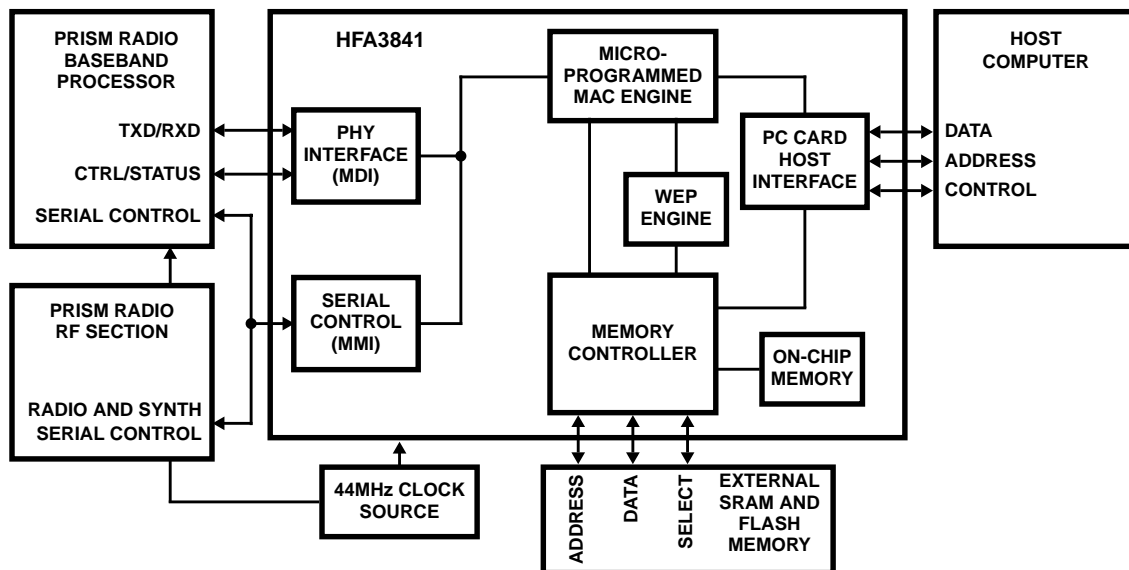
PART NUMBER	TEMP. RANGE (°C)	PACKAGE	PKG. NO.
HFA3841CN	0 to 70	128 Ld LQFP	Q128.14x20
HFA3841CN96	0 to 70	Tape and Reel	

CAUTION: These devices are sensitive to electrostatic discharge; follow proper IC Handling Procedures.

Pinout



Simplified Block Diagram



HFA3841 Pin Descriptions

Host Interface Pins

PIN NAME	PIN NUMBER	PIN I/O TYPE	DESCRIPTION
HA0-9	106-113, 117, 118	5V tol, CMOS, Input, 50K Pull Down	PC Card address input, bits 0 to 9
HCE1-	1	5V tol, CMOS, Input, 50K Pull Up	PC Card card select, low byte
HCE2-	122	5V tol, CMOS, Input, 50K Pull Up	PC Card card select, high byte
HD0-15	101-99, 6-2, 96-94, 128-125, 123	5V tol, BiDir, 2mA, 50K Pull Down	PC Card data bus, bit 0 to 15
HINPACK-	103	CMOS Output, 2mA	PC Card I/O decode confirmation
HIORD-	120	5V tol, CMOS, Input, 50K Pull Up	PC Card I/O space read
HIOWR-	119	5V tol, CMOS, Input, 50K Pull Up	PC Card I/O space write
HRDY/HIREQ-	114	CMOS Output, 4mA	PC Card interrupt request (I/O mode) Card ready (memory mode)
HOE-	121	5V tol, CMOS, Input, 50K Pull Up	PC Card memory attribute space output enable
HREG-	102	5V tol, CMOS, Input, 50K Pull Up	PC Card attribute space select
HRESET	16	5V tol, CMOS, ST Input, 50K Pull Up Hardware Reset	
HSTSCHG-	36	CMOS Output, 4mA	PC Card status change
HWAIT-	104	CMOS Output, 4mA	PC Card not ready (force host wait state)
HWE-	116	5V tol, CMOS Input, 50K Pull Up	PC Card memory attribute space write enable

Memory Interface Pins

PIN NAME	PIN NUMBER	PIN I/O TYPE	DESCRIPTION
MA0 MWEH-	72	CMOS TS Output, 2mA	MBUS address bit 0 (byte) for x8 memory High byte write enable for x16 memory
MA1-18	73-81, 84-92	CMOS TS Output, 2mA	MBUS address bits 1 to 18
PL4	43	CMOS BiDir, 2mA	MBUS address bit 19
PL5	12	CMOS BiDir, 2mA, 50K Pull Up	MBUS address bit 20
PL6	11	CMOS BiDir, 2mA	MBUS address bit 21
MOE-	70	CMOS TS Output, 2mA	Memory output enable
MWEL-	71	CMOS TS Output, 2mA	Low (or only) byte memory write enable
RAMCS-	69	CMOS TS Output, 2mA	RAM select
NVCS-	68	CMOS TS Output, 2mA	NV memory select
MD0-7	61-54	5V tol, CMOS, BiDir, 2mA, 100K Pull Up	MBUS low data byte, bits 0 to 7
MD8-15	51-44	5V tol, CMOS, BiDir, 2mA 50K Pull Down	MBUS high data byte, bits 8 to 15

Preliminary - HFA3841

Radio Interface and General Purpose Port Pins

PIN NAME	PIN NUMBER	PIN I/O TYPE	DESCRIPTION OF FUNCTION (IF OTHER THAN IO PORT)
TXD	17	CMOS Output, 2mA, 50K Pull Down	Transmit data out
TXC	18	5V tol, CMOS, BiDir 2mA, ST	Transmit clock in/out
RXD	19	CMOS Input	Receive data in
RXC	20	CMOS Input, ST	Receive clock in
PJ0	31	CMOS BiDir, 2mA, ST, 50K Pull Down	MMI serial clock in/out
PJ1	30	CMOS BiDir, 2mA, 50K Pull Down	MMI serial data in/out
PJ2	32	CMOS BiDir, 2mA, 50K Pull Down	MMI serial data read/write control, or data output
PJ3	29	CMOS BiDir, 2mA	MMI device enable
PJ4	65	CMOS BiDir, 2mA	
PJ5	8	CMOS BiDir, 2mA, 50K Pull Up	
PJ6	7	CMOS BiDir, 2mA	
PJ7	9	CMOS BiDir, 2mA, 50K Pull Up	
PK0	35	CMOS BiDir, 2mA, ST, 50K Pull Down	
PK1	34	CMOS BiDir, 2mA, 50K Pull Down	
PK2	33	CMOS BiDir, 2mA, 50K Pull Down	
PK3	63	CMOS BiDir, 2mA	
PK4	64	CMOS BiDir, 2mA	
PK5	21	CMOS BiDir, 2mA	MDREADY - PHY or MAC data available (in)
PK6	22	CMOS BiDir, 2mA	Medium busy (CCA from PHY)
PK7	23	CMOS BiDir, 2mA	
PL0	15	CMOS BiDir, 2mA	Transmitter enable
PL1	27	CMOS BiDir, 2mA	Receiver enable (or PHY sleep control)
PL2	26	CMOS BiDir, 2mA	
PL3	28	CMOS BiDir, 2mA	
PL4	43	CMOS BiDir, 2mA	MBUS address bit 19
PL5	12	CMOS BiDir, 2mA, 50K Pull Up MBUS address bit 20	
PL6	11	CMOS BiDir, 2mA	MBUS address bit 21 or PHY control I/O
PL7	93	CMOS BiDir, 2mA	Transmitter ready

Clocks

PIN NAME	PIN NUMBER	PIN I/O TYPE	DESCRIPTION
XTALI	40	CMOS Input, ST	Crystal or external clock input (at $\geq 2X$ desired MCLK frequency)
XTALO	41	CMOS Output, 2mA	Crystal output
CLKOUT	38	CMOS, TS Output, 2mA	Clock output (selectable as OSC or MCLK)
TCLKIN	10	CMOS Input, ST, 50K Pull Down	Timebase Reference Clock Input

Preliminary - HFA3841

Power

PIN NAME	PIN NUMBER	PIN I/O TYPE	DESCRIPTION
VCC_CORE3	14, 25, 39, 53	3.3V Core Supply	
VCC_IO3	66, 83, 98, 124	3.3V I/O Supply	
VCC_IO5	105	5V Tolerance Supply	
VSS_CORE3	13, 24, 37	Core V _{SS}	
VSS_IO3	42, 52, 67, 82, 97, 115	I/O V _{SS}	
TRST-	62	CMOS Input	Reserved - Must be tied low through 1K

ST = Schmitt Trigger (Hysteresis), TS = Three-State. Signals ending with "-" are active low.

NOTE: Output pins typically drive to positive voltage rail less 0.1V. Hence with a supply of 2.7V the output will just meet 5V TTL signal levels at rated loads.

Port Pin Uses for PRISM Application

PIN	NAME	PRISM I USE	PRISM II™ USE
20	RXC	RXC - Receive clock	RXC - Receive clock
19	RXD	RXD - Receive data	RXD - Receive data
18	TXC	TXC - Transmit clock	TXC - Transmit clock
17	TXD	TXD - Transmit data	TXD - Transmit data
31	PJ0	SCLK - Clock for the SD serial bus.	SCLK - Clock for the SD serial bus.
30	PJ1	SD - Serial bi-directional data bus	SD - Serial bi-directional data bus
32	PJ2	R/W - An input to the HFA3860A used to change the direction of the SD bus when reading or writing data on the SD bus.	Not Used
29	PJ3	CS - A Chip select for the device to activate the serial control port. (active low)	CS_BAR - Chip select for HFA3861 baseband (active low)
65	PJ4	Not Used	PE1 - Power Enable 1
8	PJ5	SYNTH_LE - Latches a frame of 22 bits after it has been shifted by the SCLK into the synthesizer registers.	LE_IF - Load enable for HFA3783 Quad IF
7	PJ6	LED - Activity indicator	LED - Activity indicator
9	PJ7	Not Used	RADIO_PE - RF power enable
35	PK0	Not Used	LE_RF - Load enable for HFA3983 RF chip
34	PK1	Not Used	SYNTHCLK - Serial clock to front end chips
33	PK2	Not Used	SYNTHDATA - Serial data to front end chips
63	PK3	TX_PE_RF - Power Enable	PA_PE - Transmit PA power enable
64	PK4	RX_PE_RF - Power Enable	PE2 - Power Enable 2
21	PK5	MD_RDY - Header data and data packet are ready to be transferred from Baseband on RXD	MDREADY - Header data and data packet are ready to be transferred from Baseband on RXD
22	PK6	CCA - Signal that the channel is clear to transmit.	CCA - Signal that the channel is clear to transmit.
23	PK7	RADIO_PE - Master power control for the RF section	CAL_EN - Calibration mode enable
15	PL0	TX_PE and PA_PE - Transmit Enable to Baseband	TX_PE - Transmit Enable to Baseband
27	PL1	RX_PE - Receive Enable to Baseband	RX_PE - Receive Enable to Baseband
26	PL2	RESET - Reset to Baseband	RESET_BB - Reset Baseband
28	PL3	Not Used	T/R-SW_BAR - Transient/Receive Control (Inverted)
43	PL4	MA19 (if required)	MA19 (if required)
12	PL5	MA20 (if required)	MA20 (if required)
11	PL6	MA21 (if required)	Reserved
93	PL7	TX_RDY - Baseband ready to receive data on TXD (not used by firmware)	T/R_SW - Transmit/Receive Control

Special Hardware Functions for Port Pins

PJ0	SCK	MMI serial clock in or out	
PJ1	SDO/SDIO	MMI serial data out or I/O	
	MOSI	SPI Master Out/Slave In	Also for MicroWire
PJ2	SDI/MISO	MMI serial data in	Or SPI Master In/Slave Out
	SDDIR	MMI (SDIO) data direction	Low while SDIO is driven as an output
PJ3	SDE0	MMI serial device enable 0	Generally selects PHY controller
	PCS-	SPI/MMI transfer qualifier	Asserted by hardware during transfer
	PHYCS-	PHY chip select (3-3.5MB)	For memory-mapped PHY controllers
PJ4	SDE1	MMI serial device enable 1	For serial EPROM, synthesizer, etc.
	SDDQ	MMI data delivery qualifier	Low for data on SDIO, high for address
	SS-	SPI slave select	In slave mode SCK is serial clock input
PJ5	MREQ-	MBUS request	
PJ6	MGNT-	MBUS grant	
	LED2	LED 2 driver	(Directly from I/O port)
PJ7	LED1	LED 1 driver	(Directly from I/O port)
PK0	GPCK	GP serial port clock in or out	
	UHSIn	Async handshake in	Indicates external async Rx ready
PK1	GPDO	GP serial port data output	
	UTXD	Async transmit data	
PK2	GPDI	GP serial port data input	
	URXD	Async receive data	
PK3	GPDS0	GP device select 0	
	UHSEOut	Async handshake out	Indicates GP port async Rx ready
PK4	GPDS1	GP device select 1	
PK5	PDA	PHY (or MAC) data available	Qualifies RXD input to MAC controller
	UWDET	Unique word detected	Output from MAC controller
PK6	MBUSY	Medium busy	CCA status (PHY-dependent source)
	RATE0	Data Rate select 0	
PK7	EDET	Energy (or modulation) detect	
	RATE1	Data Rate select 1	
PL0	TXE	Transmitter enable	
PL1	RXE	Receiver enable	Can drive "awake" LED
	PHYSLP	PHY sleep	(Directly from I/O port)
PL2	PHYRES	PHY reset	(Directly from I/O port)
PL3	SLOT	Slot time reference (in or out)	
	ANTSEL	Antenna select	(Directly from I/O port)
PL4	MA19	MBUS address bit 19	For 1M byte SRAM
	LED0	LED 0 driver	(Directly from I/O port)
PL5	MA20	MBUS address bit 20	For 2M byte SRAM
PL6	MA21	MBUS address bit 21	For 4M byte SRAM
PL7	TXR	Transmitter ready	

Preliminary - HFA3841

Absolute Maximum Ratings

Supply Voltage 4V
 Input, Output or I/O Voltage GND -0.5V to $V_{CC} + 0.5V$
 ESD Classification Class 2

Operating Conditions

Voltage Range +2.70V to +3.60V
 Ambient Temperature Range 0°C to 70°C

Thermal Information

Thermal Resistance (Typical, Note 1) θ_{JA} (°C/W)
 LQFP Package 56
 Maximum Storage Temperature Range -65°C to 150°C
 Maximum Junction Temperature 100°C
 Maximum Lead Temperature (Soldering 10s) 300°C
 (Lead Tips Only)

CAUTION: Stresses above those listed in "Absolute Maximum Ratings" may cause permanent damage to the device. This is a stress only rating and operation of the device at these or any other conditions above those indicated in the operational sections of this specification is not implied.

NOTE:

- θ_{JA} is measured with the component mounted on an evaluation PC board in free air.

DC Electrical Specifications Maximum test temperature = 100°C, $V_{CC} = 3.0V$ to $3.3V \pm 10\%$, $T_A = -40^\circ C$ to $85^\circ C$

PARAMETER	SYMBOL	TEST CONDITIONS	MIN	TYP	MAX	UNITS
Power Supply Current	I_{CCOP}	$V_{CC} = 3.6V$, CLK Frequency 44MHz	-	35	45	mA
Standby Power Supply Current	I_{CCSB}	$V_{CC} = \text{Max}$, Outputs not Loaded	-	0.5	1	mA
Input Leakage Current	I_I	$V_{CC} = \text{Max}$, Input = 0V or V_{CC}	-10	1	10	mA
Output Leakage Current	I_O	$V_{CC} = \text{Max}$, Input = 0V or V_{CC}	-10	1	10	mA
Logical One Input Voltage	V_{IH}	$V_{CC} = \text{Max, Min}$	$0.7V_{CC}$	-	-	V
Logical Zero Input Voltage	V_{IL}	$V_{CC} = \text{Min, Max}$	-	-	$V_{CC}/3$	V
Logical One Output Voltage	V_{OH}	$I_{OH} = -1mA$, $V_{CC} = \text{Min}$	$V_{CC}-0.2$	-	-	V
Logical Zero Output Voltage	V_{OL}	$I_{OL} = 2mA$, $V_{CC} = \text{Min}$	-	0.2	0.2	V
Input Capacitance	C_{IN}	CLK Frequency 1MHz. All measurements referenced to GND. $T_A = 25^\circ C$	-	5	10	pF
Output Capacitance	C_{OUT}	CLK Frequency 1MHz. All measurements referenced to GND. $T_A = 25^\circ C$	-	5	10	pF

NOTE: All values in this table have not been measured and are only estimates of the performance at this time.

AC Electrical Specifications

PARAMETER	SYMBOL	MIN	TYP	MAX	UNITS
CLOCK SIGNAL TIMING					
OSC Clock Period (Typ. 44MHz)	t_{CYC}	22	22.7	200	
High Period	t_{H1}	15	11.36	-	
Low Period	t_{L1}	15	11.36	-	
Delay from OSC Edge to MCLK Edge	t_{D1}	-	10	-	
EXTERNAL MEMORY INTERFACE					
Rising Edge MCLK to EMA[15:0], EMCSxN, EMOEN, EMWRN	t_{D1}	0	-	10	ns
Width EMOEN	t_{D2}	$2 * t_{MCLK} - 10$	-	$9 * t_{MCLK} + 10$	ns
EMD[15:0] Read Data Setup	t_{S1}	10	-	-	ns
EMD[15:0] Read Data Hold	t_{H1}	-	-	0	ns
Minimum Width between Read and Write	t_{D3}	$t_{MCLK} - 10$	t_{MCLK}	$t_{MCLK} + 10$	ns
Width EMWRN	t_{D4}	$2 * t_{MCLK} - 10$	-	$9 * t_{MCLK} + 10$	ns
EMWRN Rising to EMCSxN Rising	t_{D5}	$1 * t_{MCLK} - 10$	$1 * t_{MCLK}$	$1 * t_{MCLK} + 10$	ns
EMD[15:0] Write Data Hold Time to Rising Edge EMWRN	t_{D6}	$1 * t_{MCLK} - 10$	$1 * t_{MCLK}$	$1 * t_{MCLK} + 10$	ns

Preliminary - HFA3841

AC Electrical Specifications (Continued)

PARAMETER	SYMBOL	MIN	TYP	MAX	UNITS
SYNTHESIZER					
SPCLK Period	t_{CYC}	90	-	4,000	ns
SPCLK Width Hi	t_{H1}	$t_{CYC}/2 - 10$	-	$t_{CYC}/2 + 10$	ns
SPCLK Width Lo	t_{L1}	$t_{CYC}/2 - 10$	-	$t_{CYC}/2 + 10$	ns
SYNCLK to Rising Edge SPCLK	t_{D1}	35	-	-	ns
SPDATA Hold Time from Falling Edge of SPCLK	t_{D2}	0	-	-	ns
SPCLK Falling Edge to SYNCLK Inactive	t_{D3}	35	-	-	ns
SERIAL PORT - HFA3824A/HFA3860B					
SPCLK Clock Period	t_{CYC}	90ns	-	4 μ s	
High Period	t_{H1}, t_{L1}	$t_{CYC}/2 - 10$	-	$t_{CYC}/2 + 10$	
Delay from Clock Falling Edge to SPCs _x , SPAS, SPREAD, SPDATA Outputs	t_{CD}	-	10	-	ns
Setup Time of SPDATA Read to SPCLK Falling Edge	t_{DRS}	15	-	-	ns
Hold Time of SPDATA Read from SPCLK Falling Edge	t_{DRH}	0	-	-	
Hold Time of SPDATA Write from SPCLK Falling Edge	t_{DWH}	0	-	-	
SYSTEM INTERFACE - PC CARD IO READ 16					
Data Delay After SIORDN	t_{DIORD}	-	-	100	ns
Data Hold Following SIORDN	t_{HIORD}	0	-	-	ns
SIORDN Width Time	t_{WIORD}	165	-	-	ns
Address Setup Before SIORDN	t_{SUA}	70	-	-	ns
SCE(1,2)N Setup Before SIORDN	t_{SUCE}	5	-	-	ns
SCE(1,2)N Hold After SIORDN	t_{HCE}	20	-	-	ns
SREGN Setup Before SIORDN	t_{SUREG}	5	-	-	ns
SREGN Hold Following SIORDN	t_{HREG}	0	-	-	ns
SINPACKN Delay Falling from SIORDN	$t_{DFINPACK}$	0	-	45	ns
SINPACKN Delay Rising from SIORDN	$t_{DRINPACK}$	-	-	45	ns
SIOIS16N Delay Falling from Address	$t_{DFIOIS16}$	-	-	35	ns
SIOIS16N Delay Rising from Address	$t_{DRIOIS16}$	-	-	35	ns
SWAITN	t_{DFWT}	-	-	35	ns
Data Delay from SWAITN Rising	t_{DRWT}	-	-	0	ns
SWAITN Width Time	t_{WWT}	-	-	12,000	ns
SYSTEM INTERFACE - PC CARD IO WRITE 16					
Data Setup Before SIOWRN	t_{SUIOWR}	60	-	-	ns
Data Hold Following SIOWRN	t_{HIOWR}	30	-	-	ns
SIOWRN Width Time	t_{WIOWR}	165	-	-	ns
Address Setup Before SIOWRN	t_{SUA}	70	-	-	ns
Address Hold Following SIOWRN	t_{HA}	20	-	-	ns
SCE(1,2)N Setup Before SIOWRN	t_{SUCE}	5	-	-	ns
SCE(1,2)N Hold Following SIOWRN	t_{HCE}	20	-	-	ns
SREGN Setup Before SIOWRN	t_{SUREG}	5	-	-	ns
SREGN Hold Following SIOWRN	t_{HREG}	0	-	-	ns

AC Electrical Specifications (Continued)

PARAMETER	SYMBOL	MIN	TYP	MAX	UNITS
SIOIS16N Delay Falling from Address	t _{DFOIS16}	-	-	35	ns
SIOIS16N Delay Rising from Address	t _{DRIOIS16}	-	-	35	ns
SWAITN Delay Falling from IOWRN	t _{DFTWT}	-	-	35	ns
SWAITN Width Time	t _{WWT}	-	-	12,000	ns
SIOWRN High from SWAITN High	t _{DRIOWR}	0	-	-	ns
RADIO TX DATA - TX PATH					
TXC Rising to TXD	t _{DTXD}	-	-	10	ns
TXC Period	t _{TXC}	4 * t _{TMCK}	-	-	ns
TXC Width Hi	t _{CHM}	31	-	-	ns
TXC Width Lo	t _{CLM}	31	-	-	ns
MCLK Period	t _{TMCK}	22.7	-	-	ns
TXC Rising to TX_PE2 Deassert (See Note 9)	t _{DTX_PE2}	-	TBD	TBD	ns
TX_RDY Assert Before TXC Rising	t _{TX_RDY}	10	-	-	ns
TX_RDY Hold After TXC Rising (See Note 2)	t _{TX_RDYH}	0	-	-	ns
RADIO RX DATA - RX PATH					
RX_RDY Setup Time to RXC Positive Edge (See Note 3)	t _{SURX_RDY}	10	-	-	ns
RX_RDY Hold Time from RXC Positive Edge (See Note 4)	t _{HRX_RDY}	45	-	-	ns
RX_PE2 Delay from RX_RDY deAssert (See Note 8)	t _{DRX_PE2}	-	3 * t _{MCLK}	-	ns
RX_PE2 Low Pulse Width (See Note 7)	t _{WRX_PE2}	-	4 * t _{MCLK}	-	ns
RXD Setup Time to RXC Positive Edge (See Note 5)	t _{SURXD}	10	-	-	ns
RXD Hold Time from RXC Positive Edge (See Note 5)	t _{HRXD}	0	-	-	ns
RXC Period (See Note 9)	t _{RXC}	-	3 * t _{MCLK}	-	ns
MCLK Period	t _{MCLK}	22.7	-	-	ns
RXC Width Hi	t _{RCHM}	31	-	-	ns
RXC Width Lo	t _{RCLM}	31	-	-	ns

NOTES:

- TX_RDY is and'd with TXC_ONE_SHOT to shift data in shift register. However, once the last data bit is put on TXD output pin no further shifting of bits is required. In addition, TX_RDY remains asserted until TX_PE2 is de-asserted which occurs several MAC MCLK's after the last data bit is shifted into the BBP TX_PORT. Therefore, 0ns hold time is required for this signal.
TX_RDY is used by the BBP to signal that the PLCP header and preamble have been generated and the MAC must provide the MPDU data. TX_RDY will remain asserted until TX_PE2 is deasserted by the MAC.
TX_PE2 is async to the TX_PORT.
- MD_RDY is and'd with RXC_ONE_SHOT (RXDAV) to shift data in shift register. RX_RDY is not required to be valid until 1 MCLK after RXC is sampled high. Therefore, a negative setup time could be used. Since this is an unlikely scenario, we will leave it at a nominal 10ns setup time.
- MD_RDY is and'd with RXC_ONE_SHOT (RXDAV) to shift data in shift register. Therefore, for the last data bit, the MD_RDY must be held active until RXC_ONE_SHOT is sampled high by MAC's MCLK. However, it is assumed that BBP will be used in a mode that keeps RX_RDY (MD_RDY) and RXC running until RX_PE2 is de-asserted. The MAC will stop processing data after the number of bits retrieved from the PLCP header length field are received. THEREFORE, the RX_RDY hold time with respect to RXC does not matter. However, should the RX_RDY signal be cleared when the last RXD bit is received the hold time w/r RXC must be honored.
- RXC positive edge clocks a flop which stores the RXD for internal usage.
- RXC period (and Hi/Lo times) must be long enough for flops clocked by MAC MCLK to see 1 RXC high and 1 RXC low. Since RXC can be async to MAC MCLK it is assumed that 3 MCLK periods will suffice.
- RX_PE inactive width at BBP is 3 BBP MCLK's. Since BBP MCLK and MAC MCLK can be async minimum should be 4 MAC MCLK's.
- Not yet verified, but seems reasonable. When RX_RDY drops before expected number of RXD bits is received, then Tx/Rx FSM in mpctl.v signals timers which clear rx_pe2_int. More of a functional spec than a timing spec.
- Need to sample 1 RXC high and 1 RXC low with MAC MCLK.

Waveforms

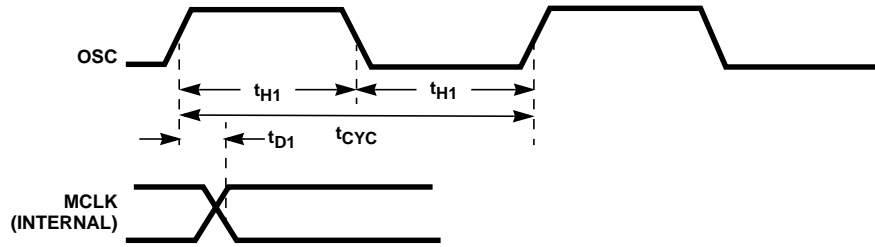
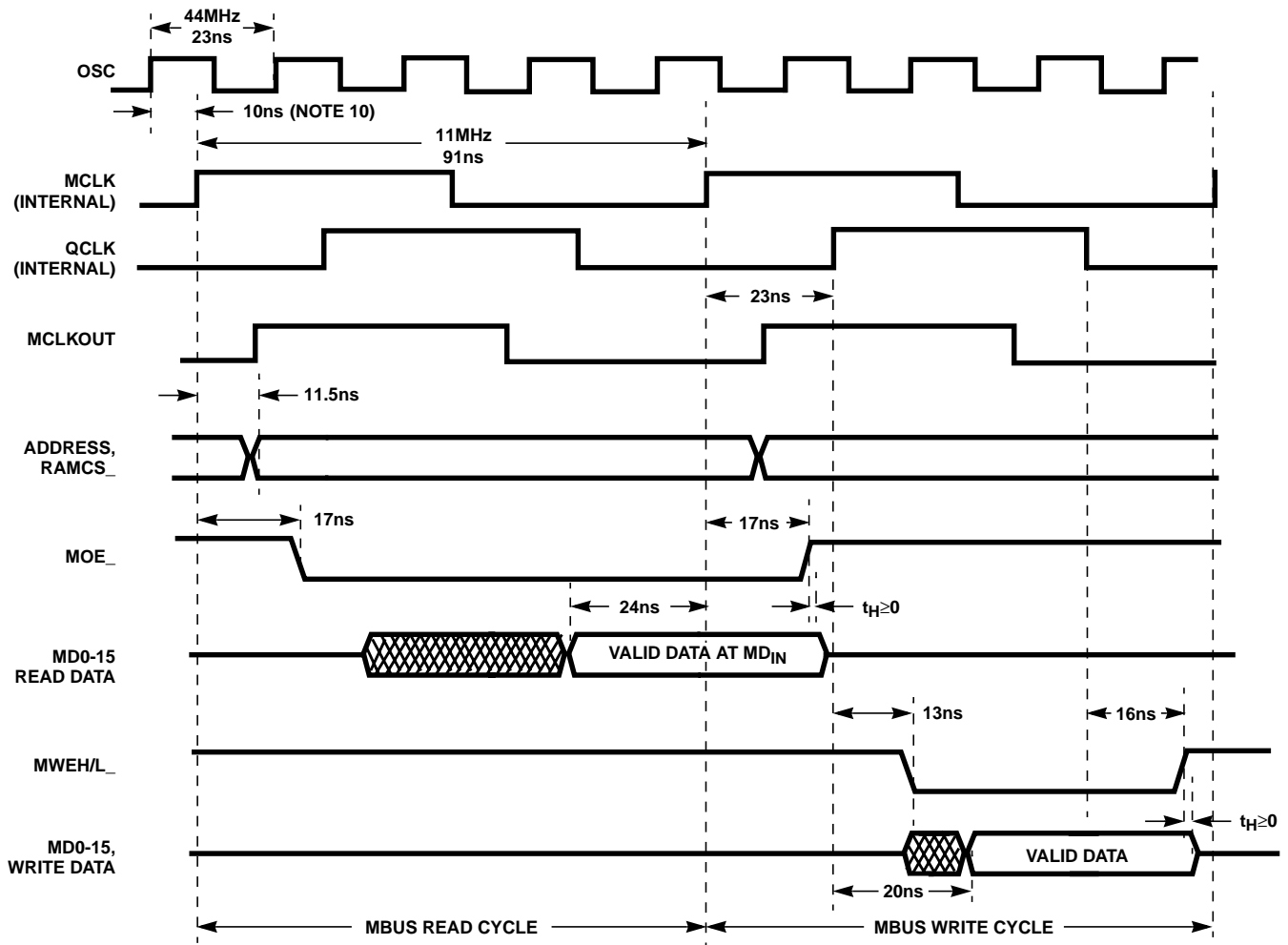


FIGURE 1. CLOCK SIGNAL TIMING

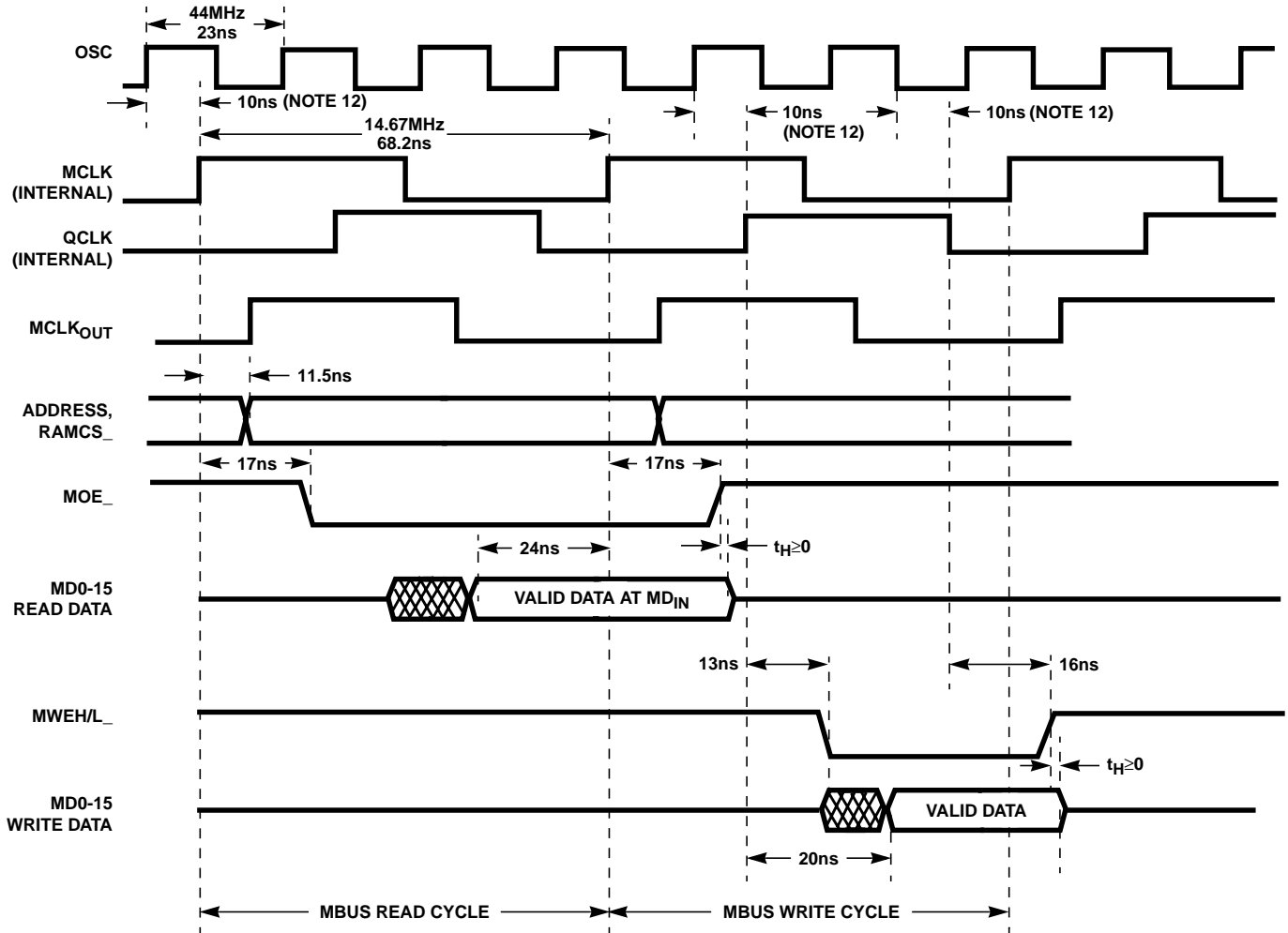


NOTE:

10. Timing delays between OSC and internal clocks are shown for information purposes only.

FIGURE 2. MBUS MEMORY TIMING - 11MHz MCLK

Waveforms (Continued)



NOTES:

- 11. 14.67MHz requires an odd divisor in the prescaler. Note that both edges of OSC are used to create MCLK and QCLK, thus a deviation from 50% duty cycle in OSC will result in corresponding changes in MBUS timing.
- 12. Timing delays between OSC and internal clocks are shown for information purposes only.

FIGURE 3. MBUS MEMORY TIMING - 14.67MHz MCLK

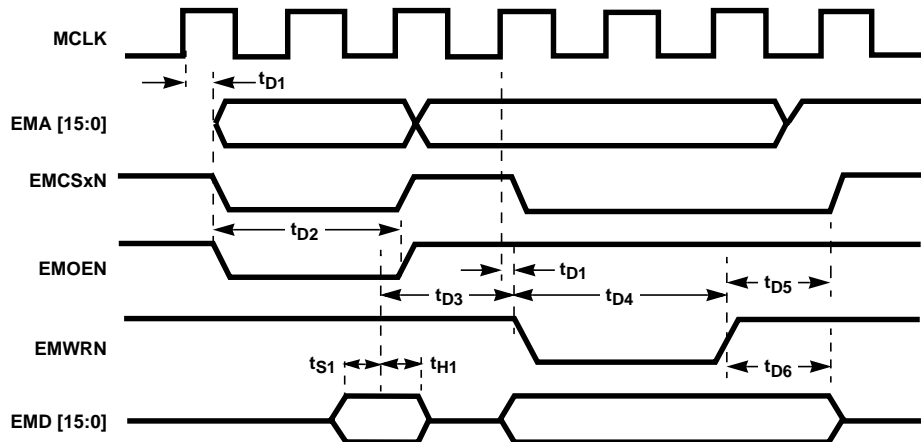


FIGURE 4.

Waveforms (Continued)

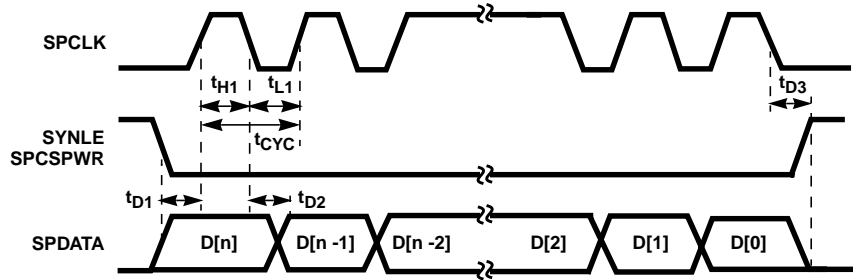


FIGURE 5. SYNTHESIZER

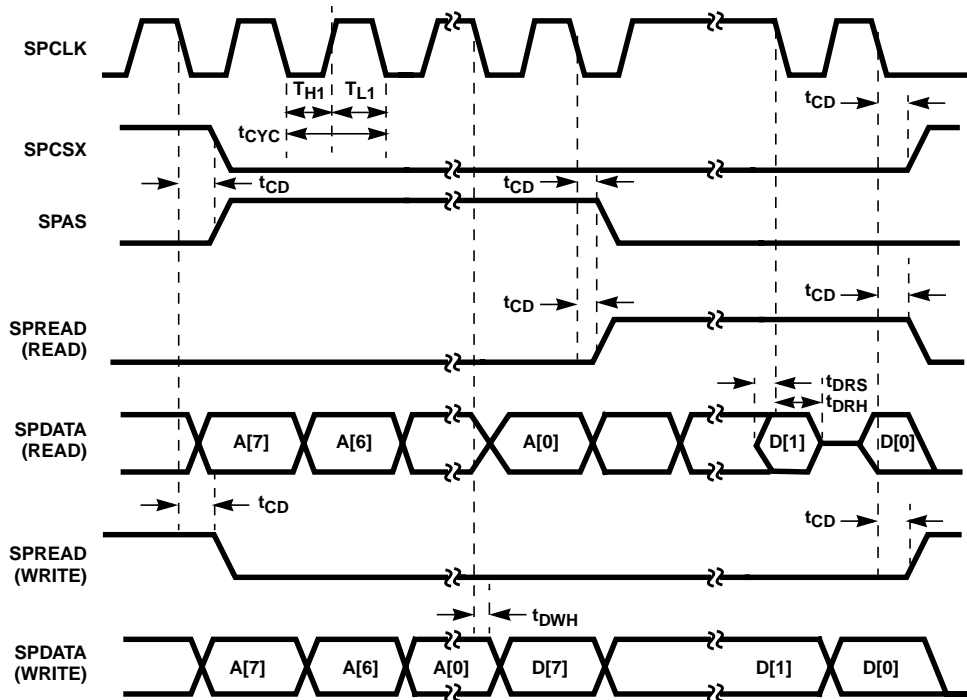


FIGURE 6. SERIAL PORT - HFA3824A/HFA3860B

Waveforms (Continued)

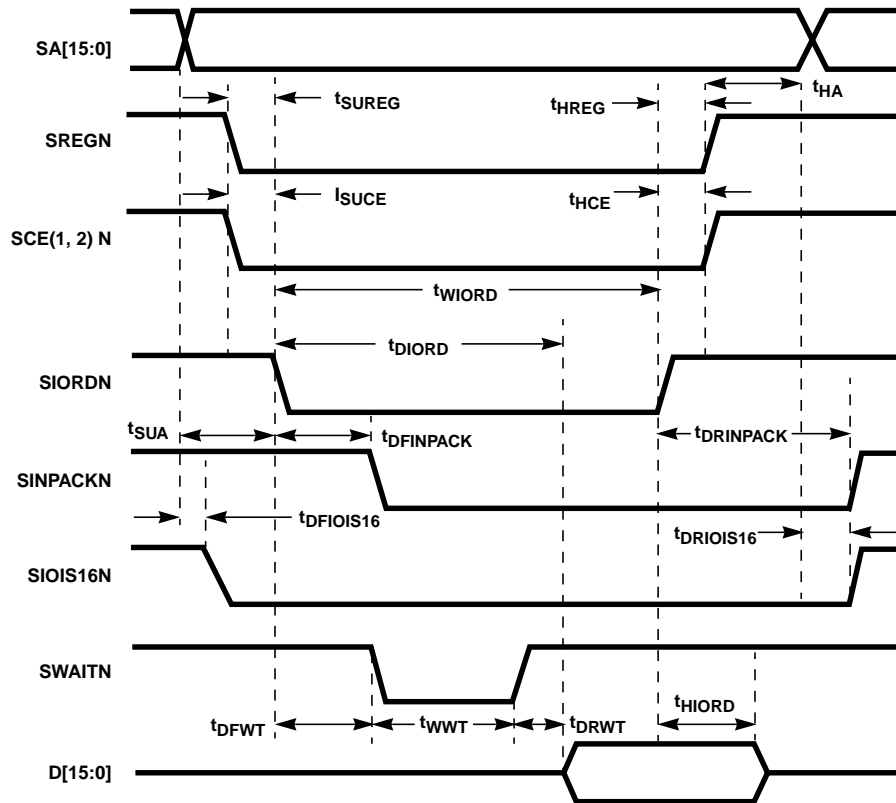


FIGURE 7. PC CARD IO READ 16

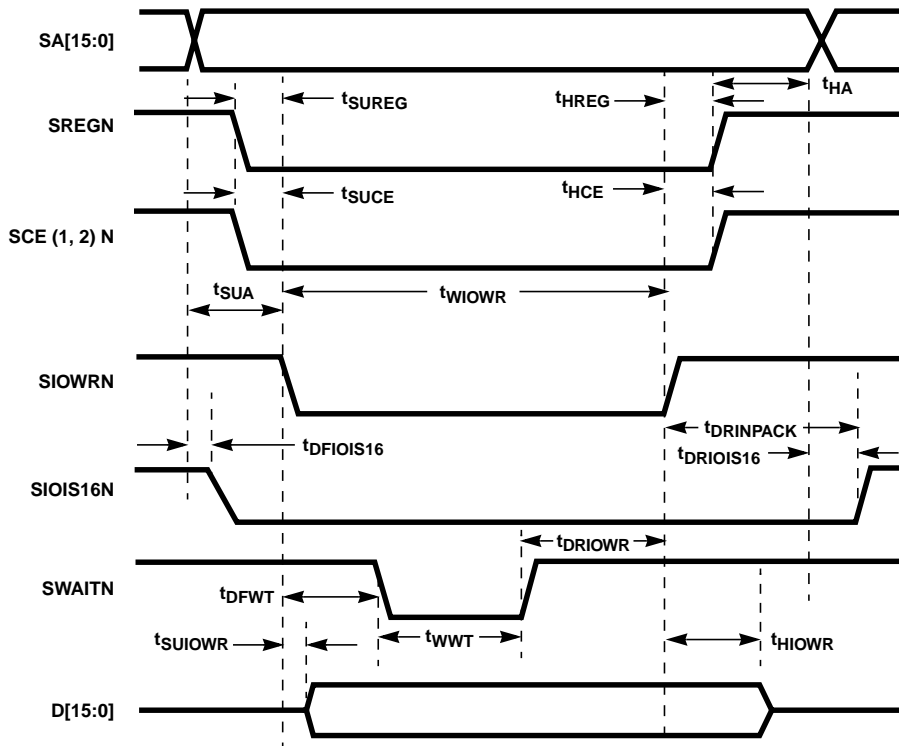


FIGURE 8. PC CARD IO WRITE 16

Waveforms (Continued)

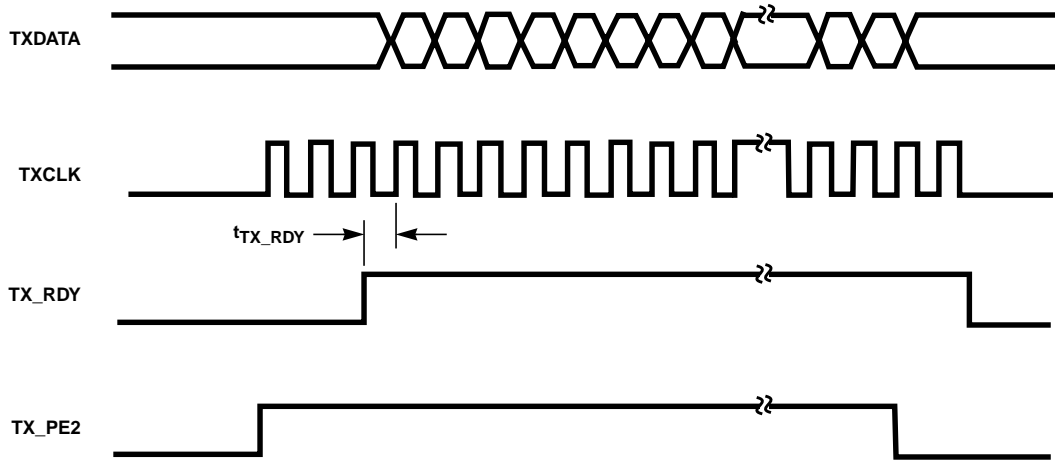


FIGURE 9. TX PATH

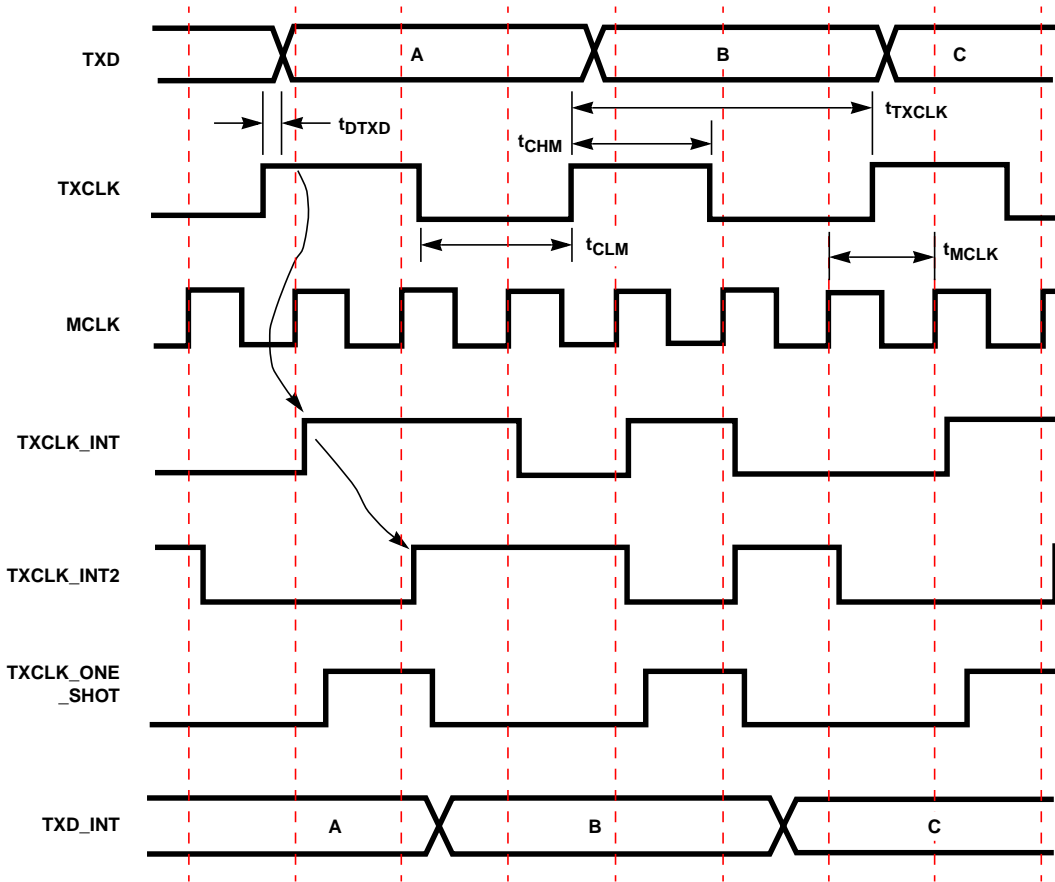


FIGURE 10.

Waveforms (Continued)

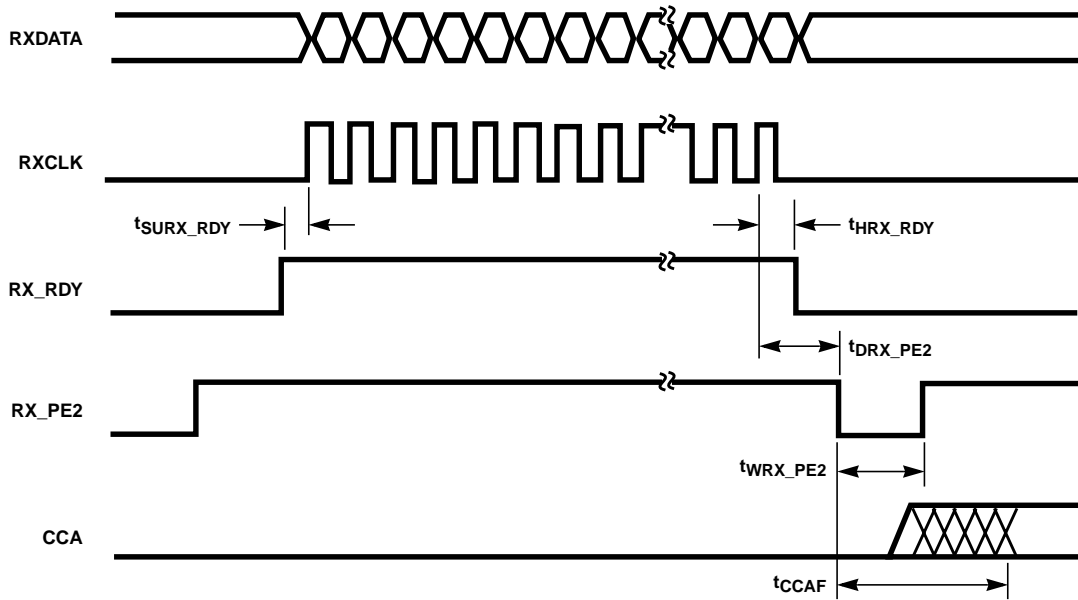


FIGURE 11. RX PATH

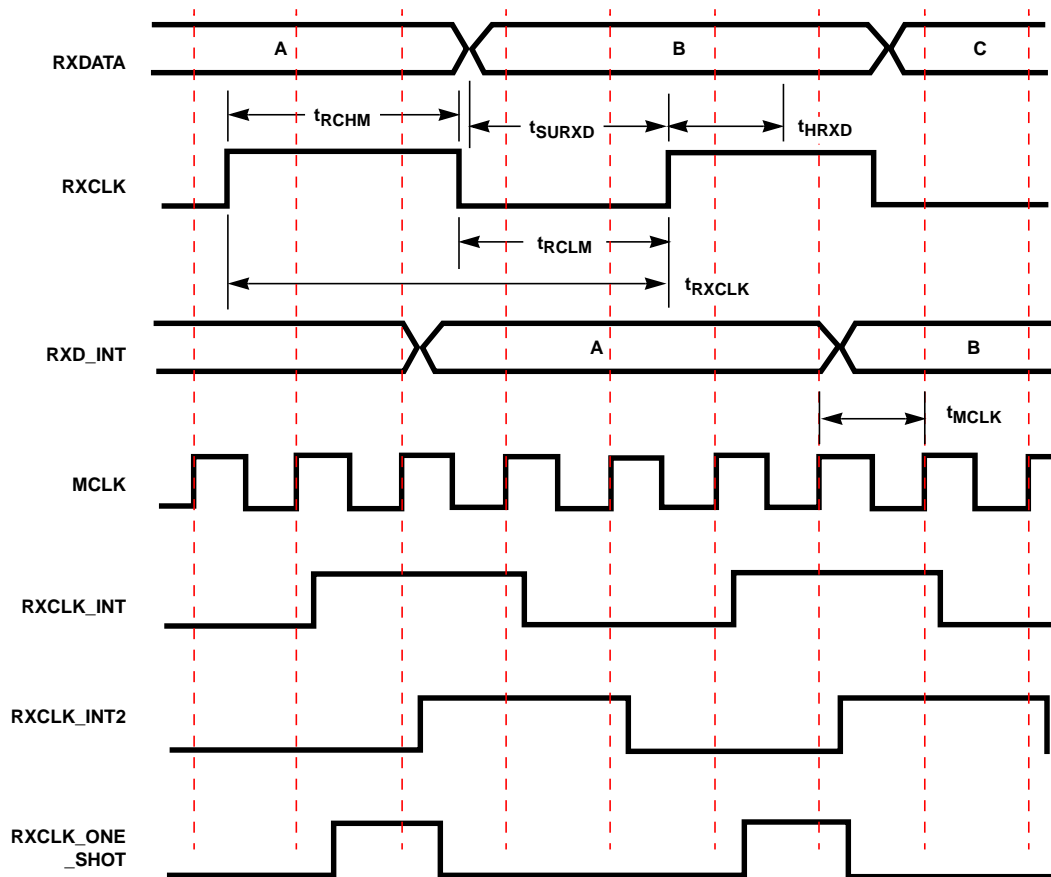


FIGURE 12.

HFA3841 System Overview

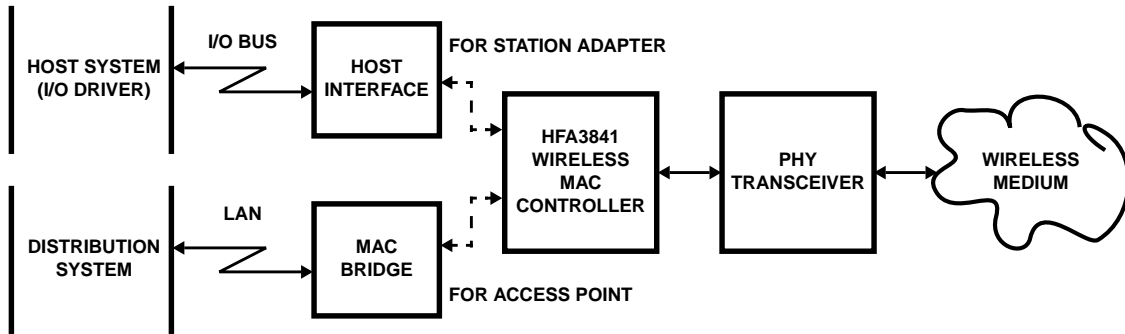


FIGURE 13. TYPICAL APPLICATION

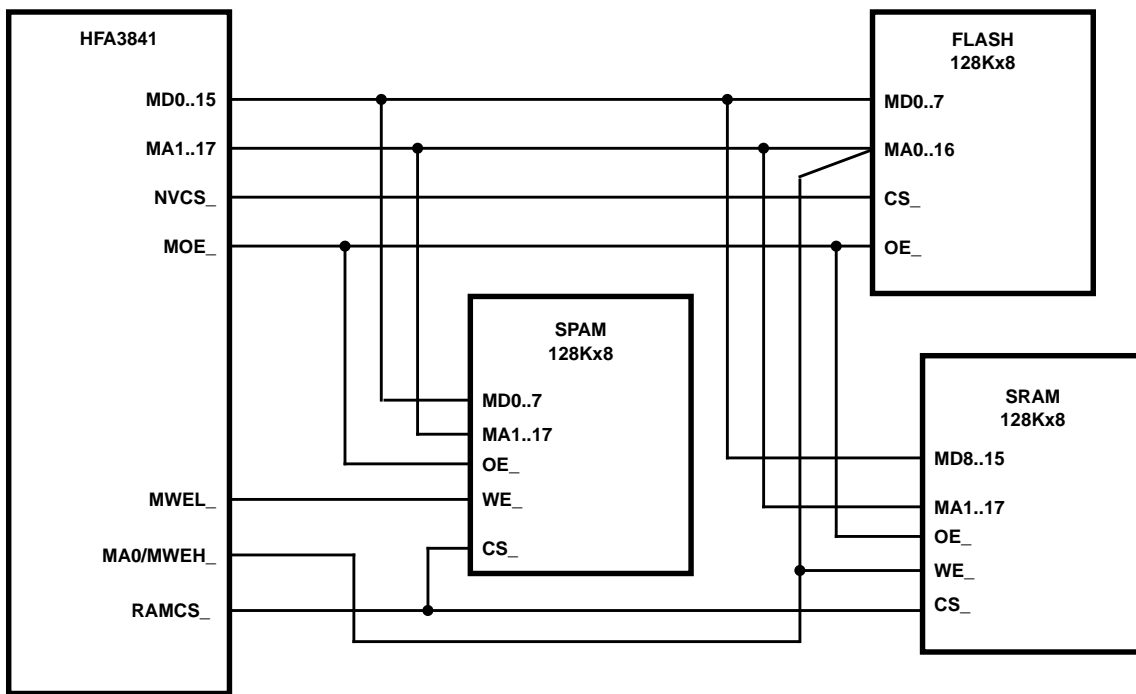


FIGURE 14.

External Memory Interface

An external memory space is provided for firmware and for buffers that are used for temporary storage of received and transmitted frames.

The total memory space is 4M bytes. 64K words are used for control store, where firmware is located. The high data bus has weak pull-up resistors so that external pull-down resistors can set the configuration of the HFA3841 during reset.

NVCS- is the enable to the Flash memory device. Typically the contents of the Flash are copied entirely into SRAM at initialization, and then rarely if ever accessed during normal operation. For this reason, it is acceptable to use low cost, slow Flash devices. During initialization, the clock prescaler is set to produce a longer cycle time while the Flash is accessed. Once all the data has been copied, execution

jumps into SRAM and the clock is raised to the normal operating frequency.

It is possible to operate without a Flash device. In such a system, the firmware must be downloaded through the host interface before operation can commence.

The external SRAM memory must be organized in a 16-bit width to provide adequate performance to implement the 802.11 protocol at 11Mb/s rates. Systems designed for lower performance applications may be able to use 8-bit wide memory.

The minimum implementation of external memory consists of 128K bytes of SRAM organized as 64K x 16. Typical applications will use 256K bytes organized as 128K x 16. An access point application could make use of the full address space of the device with 4M bytes organized as 2M x 16.

The HFA3841 was designed to implement 16-bit wide memory by using two 8-bit RAM chips. The HFA3841 provides high and low write enable signals (MWEH_ and MWEL_), and a single output enable (MOE_). This allows a direct connection, enabling a pair of 8-bit SRAMs to function as a 16-bit device. MA0 functions as Address 0 for 8-bit access (such as Flash), and as MWEH (High Byte Write Enable) for 16-bit access (such as SRAM), since address bit 0 is not used for 16-bit accesses.

Some single chip 16-bit SRAMs use an alternate connection scheme with five pins: a Chip Select, an Output Enable, a single Write Enable, and Upper and Lower byte enables, which control both read and write cycles. Thus, external logic is required to generate the required signals.

See Application Note AN9844, "HFA3841 to PRISMII Connections" for important information regarding the connection of these types of 16-bit SRAM chips to the HFA3841.

Host Interface

PC Card Physical Interface

The Host interface is compatible to the PC Card 95 Standard (PCMCIA v2.1). The HFA3841 Host Interface pins connect directly to the correspondingly named pins on the PC Card connector with no external components (other than resistors) required. The HFA3841 operates as an I/O card using less than 64 octet locations. Reads and writes to internal registers and buffer memory are performed by I/O accesses. Attribute memory (256 octets) is provided for the CIS table which is located in external memory. Common memory is not used.

The following describes specific features of various pins:

HA[9:0]

Decoding of the system address space is performed by the HCEx-. During I/O accesses HA[5:0] decode the register. HA[9:6] are ignored when the internal HAMASK register is set to the defaults used by the standard firmware. During attribute memory accesses HA[9:1] are used.

HD[15:0]

The host interface is primarily designed for word accesses, although all byte access modes are fully supported. See HCE1-, HCE2- for a further description. Note that attribute memory is specified for and operates with even bytes accesses only.

HCE1-, HCE2-

The PC Card cycle type and width are controlled with the CE signals. Word and Byte wide accesses are supported, using the combinations of HCE1-, HCE2-, and HA0 as specified in the PC Card standard.

HWE-, HOE-

HOE- and HWE- are only used to access attribute memory. Common Memory, as specified in the PC Card standard, is not used in the HFA3841. HOE- is the strobe that enables an attribute memory read cycle. HWE- is the corresponding strobe for the attribute memory write cycle. The attribute space contains the Card Information Structure (CIS) as well as the Function Configuration Registers (FCR).

HIORD-, HIOWR-

HIORD- and HIOWR- are the enabling strobes for register access cycles to the HFA3841. These cycles can only be performed once the initialization procedure is complete and the HFA3841 has been put into IO mode.

HREG-

This signal must be asserted for I/O or attribute cycles. A cycle with HREG- unasserted will be ignored as the HFA3841 does not support common memory.

HINPACK-

This signal is asserted by the HFA3841 whenever a valid I/O read cycle takes place. A valid cycle is when HCE1-, HCE2-, HREG-, and HIORD- are asserted, once the initialization procedure is complete.

HWAIT-

Wait states are inserted in accesses using HWAIT-. The host interface synchronizes all PC Card cycles to the internal HFA3841 clock. The following wait states should be expected:

Direct Read or Write to Hardware Register

- 1/2 to 1 MCLK assertion of HWAIT- for internal synchronization.

Write to Memory Mapped Register, Buffer Access Path, or Attribute Space (Post-Write)

- The data required for the write cycle will be latched and therefore only the synchronizing wait state will occur.
- Until the queued cycle has actually written to the memory, any subsequent access by the Host will result in a WAIT.

Read to Attribute Space and Memory Mapped Registers

- WAIT will assert until the memory arbitration and access have completed.

Buffer Access Paths, BAP0 and BAP1

- An internal Pre-Read cycle to memory is initiated by a host Buffer Read cycle, after the internal address pointer has auto-incremented. If the next host cycle is a read to the same buffer, the data will be available without a memory arbitration delay.
- A single register holds the pre-read data. Thus, any read access to any other memory-mapped register (or the other

buffer access path) will result in the pre-read data becoming invalidated.

- If another read cycle has invalidated the pre-read, then a memory arbitration delay will occur on the next buffer access path read cycle.

HIREQ-

Immediately after reset, the HIREQ- signal serves as the RDY/BSY (per the PC Card standard). Once the HFA3841 firmware initialization procedure is complete, HIREQ- is configured to operate as the interrupt to the PC Card socket controller. Both Level Mode and Pulse Mode interrupts are supported. By default, Level mode interrupts are used, so the interrupt source must be specifically acknowledged or disabled before the interrupt will be removed.

HRESET

When reset is removed, the CIS table is initialized and, once complete, HIREQ- is set high (HIREQ- acts as RDY/BSY from reset and is set high to indicate the card is ready for use). The CIS table resides in Flash memory and is copied to RAM during firmware initialization. The host system can then initialize the card by reading the CIS information and writing to the configuration register.

ISA PnP

The HFA3841 can be connected to the ISA bus and operate in a Plug and Play environment with an additional chip such as the Fujitsu MB86703, Texas Instruments TL16PNP200A, or Fairchild Semiconductor NM95MS15. See the Application Note AN9874, "ISA Plug and Play with the HFA3841" for more details.

Register Interface

The logical view of the HFA3841 from the host is a block of 32 word wide registers. These appear in IO space starting at the base address determined by the socket controller. There are three types of registers.

HARDWARE REGISTERS (HW)

- 1 to 1 correspondence between addresses and registers.
- No memory arbitration delay, data transfer directly to/from registers.
- AUX base and offset are write-only, to set up access through AUX data port.
- Note: All register cycles, including hardware registers, incur a short wait state on the PC Card bus to insure the host cycle is synchronized with the HFA3841's internal MCLK.

MEMORY MAPPED REGISTERS IN DATA RAM (MM)

- 1 to 1 correspondence.
- Requires memory arbitration, since registers are actually locations in HFA3841 memory.
- Attribute memory access is mapped into RAM as Base-address + 0x400.
- AUX port provides host access to any location in HFA3841 RAM (reserved).

BUFFER ACCESS PATH (BAP)

- No 1 to 1 correspondence between register address and memory address (due to indirect access through buffer address pointer registers).
- Auto increment of pointer registers after each access.
- Require memory arbitration since buffers are located in HFA3841 memory.
- Buffer access may incur additional delay for Hardware Buffer Chaining.

I/O OFFSET	NAME	TYPE
00	Command	MM
02	Param0	MM
04	Param1	MM
06	Param2	MM
08	Status	MM
0A	Resp0	MM
0C	Resp1	MM
0E	Resp2	MM
10	InfoFID	MM
20	RxFID	MM
22	AllocFID	MM
24	TxComplFID	MM
18	BAP Select0	MM
1C	BAP Offset0	MM
36	BAP Data0	BAP
1A	BAP Select1	MM
1E	BAP Offset1	MM
38	BAP Data1	BAP
30	EvStat	HW
32	IntEn	HW
34	EvAck	HW
14	Control	MM
28	SwSupport0	MM
2A	SwSupport1	MM
2C	SwSupport2	MM
3A	AuxBase	HW
3C	AuxOffset	HW
3E	AuxData	(reserved)

Buffer Access Paths

The HFA3841 has two independent buffer access paths, which permits concurrent read and write transfers. The firmware provides dynamic memory allocation between Transmit and Receive, allowing efficient memory utilization. On-the-fly allocation of (128-byte) memory blocks as needed for reception wastes minimal space when receiving fragments. The HFA3841 hides management of free memory from the driver, and allows fast response and minimum data copying for low latency. The firmware provides direct access to TX and RX buffers based on Frame ID (FID). This facilitates Power Management queuing, and allows dynamic fragmentation and defragmentation by controller. Simple Allocate/Deallocate commands insure low host CPU overhead for memory management.

Hardware buffer chaining provides high performance while reading and writing buffers. Data is transferred between the

host driver and the HFA3841 by writing or reading a single register location (The Buffer Access Path, or BAP). Each access increments the address in the buffer memory. Internally, the firmware allocates blocks of memory as needed to provide the requested buffer size. These blocks may not be contiguous, but the firmware builds a linked list of pointers between them. When the host driver is transferring data through a buffer access path and reaches the end of a physical memory block, hardware in the host interface follows the linked list so that the buffer access path points to the beginning of the next memory block. This process is completely transparent to the host driver, which simply writes or reads all buffer data to the same register. If the host driver attempts to access beyond the end of the allocated buffer, subsequent writes are ignored, and reads will be undefined.

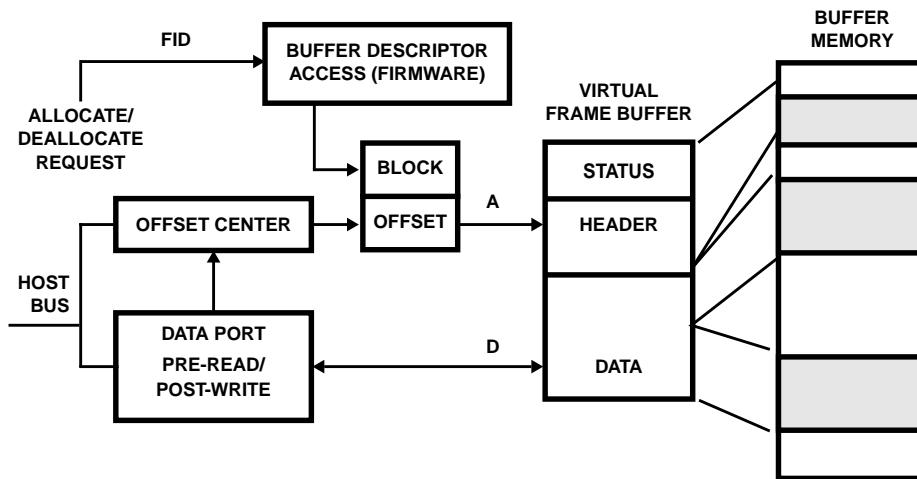


FIGURE 15. BLOCK DIAGRAM OF A BUFFER ACCESS PATH

PHY Interface

The HFA3841 is intended to support the PRISM family of Baseband processors with no additional components. This family currently includes the HFA3860B and HFA3861 DSSS baseband processors and the other ICs in the PRISM WLAN chip set. (Other baseband processors may be supported with custom firmware. See your sales representative for more information). The HFA3841 interfaces to the HFA386X baseband processors through two serial interfaces. The Modem Management Interface (MMI) is used to read and write internal registers in the baseband processor and access per-packet PLCP information. The Modem Data Interface (MDI) provides the receive and transmit data paths which transfer the actual MPDU data.

Serial Control Port (MMI)

The HFA3841 has a serial port that is used to program the baseband processor. There are individual chip selects and shared clock and data lines.

The MMI is used to program the registers and functionality of the PHY baseband processor.

PHY BASEBAND PROCESSOR

The PHY baseband processor is programmed by HFA3841 firmware.

The PRISM II baseband processor mode works as follows:

The Control Port consists of 4 signals: SD (serial data), SCLK (serial clock), R/W (read/write) and CS_BAR (active-low chip select).

Control Port signaling for read and write operations is illustrated in Figures 16 and 17 respectively. Detailed timing relationships appear in Figure 18 and timing specifications are contained in Table 1.

The BBP always uses the rising edge when clocking data on the Control Port. This means that when the BBP is receiving data it uses the rising edge of clock to sample; when driving data, transitions occur on the rising edge.

Address bits 6 through 1 are significant for selecting configuration registers. Address bits 7 and 0 are unused. See the BBP Programming section for register addresses and suggested values.

For read operations, the rising edge of R/W must occur after the 7th but prior to the 8th rising edge of SCLK. This ensures that the first data bit is clocked out of the BBP prior to the edge used to clock it into the MAC.

For more detailed information on the Control Port and BBP register programming see the HFA386x data sheets.

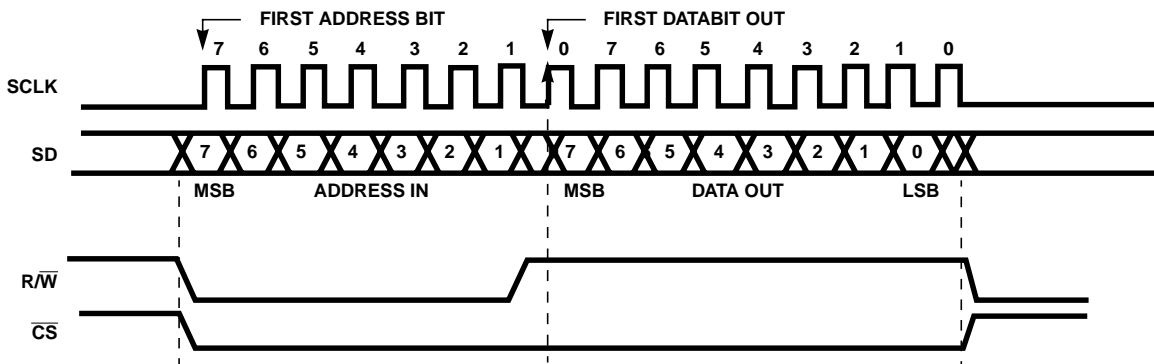


FIGURE 16. PRISM II BASEBAND PROCESSOR CONTROL PORT READ TIMING

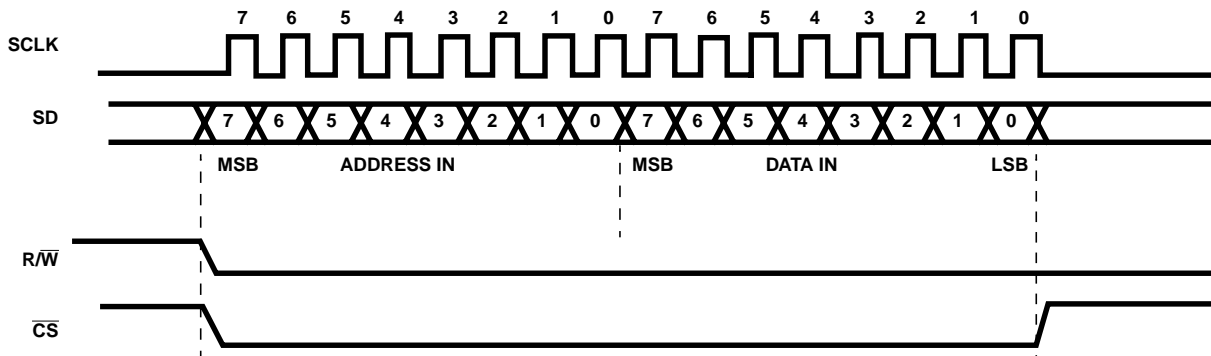


FIGURE 17. PRISM II BASEBAND PROCESSOR SERIAL CONTROL PORT WRITE TIMING

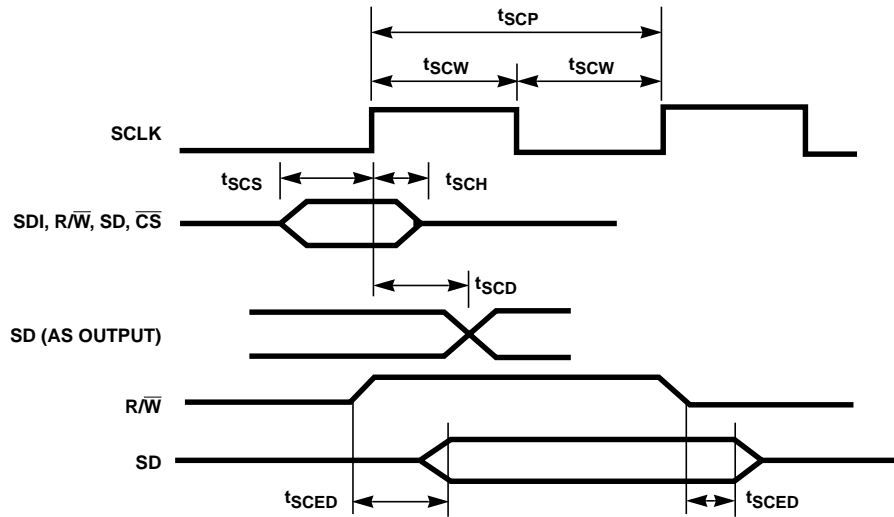


FIGURE 18. BBP CONTROL PORT SIGNAL TIMING

TABLE 1. BBP CONTROL PORT AC ELECTRICAL SPECIFICATIONS

PARAMETER	SYMBOL	MIN	MAX	UNITS
SCLK Clock Period	t_{SCP}	90	-	ns
SCLK Width Hi or Low	t_{SCW}	20	-	ns
Setup to SCLK + Edge (SD, SDI, R/W, CS)	t_{SCS}	30	-	ns
Hold Time from SCLK + Edge (SD, SDI, R/W, CS)	t_{SCH}	0	-	ns
SD Out Delay from SCLK + Edge	t_{SCD}	-	30	ns
SD Out Enable/Disable from R/W	t_{SCED}	-	15	ns

SYNTHESIZER

For the PRISM II, the synthesizer is programmed by firmware using different pins than the MMI. The HFA3841 will exchange data with the baseband during transmit and receive operations over the MMI interface. If the MMI interface was connected to the front end chips, the transitions on SCLK and SD could couple noise into them. The synthesizer serial bus consists of SYNTHDATA, SYNTHCLK, LE_IF and LE_RF. SYNTHDATA is on pin PK2, SYNTHCLK is on PK1, LE_IF is the enable for the HFA3783 Quad IF chip, and LE_RF is the enable for the HFA3683 synthesizer.

Data is provided on SYNTHDATA and clock on SYNTHCLK. The data is updated the falling edge of SYNTHCLK and expected to be latched into the synthesizer on the rising edge. The enable signal LE_RF is asserted while data is clocked out.

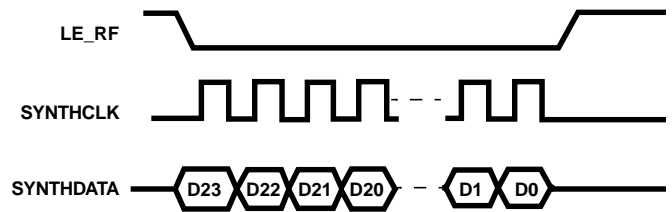


FIGURE 19. SYNTHESIZER DATA FORMAT

PHY Data Interface (MDI)

The HFA3841 has a dedicated serial port to provide the data interface to the baseband processor. This is referred to as the Modem Data Interface (MDI). The MDI operates on the data being transferred to and from the baseband on a word by word basis. There are no FIFOs needed, since the firmware is able to control the protocol in real time.

The MDI performs the following functions:

- Serial to parallel conversion of received data from the baseband, with synchronization between the incoming RX clock to the internal HFA3841 clock.
- Generating CRCs (HEC and FCS) from the received data stream to verify correct reception.
- Decrypt the received data when WEP is enabled.
- Parallel to serial conversion of transmit data, with the serial timing synchronized with the TX clock.
- Insertion of the CRCs (HEC and FCS) at the appropriate point during transmission.
- Encrypt the transmitted data when WEP is enabled.

The receive data path uses RX_RDY, RXC, RXD. The transmit data path uses TX_RDY, TXC, TXD and the CCA input to determine (under the IEEE802.11 protocol) whether to transmit.

In transmit mode, the HFA386X is used in the mode where it generates the PLCP header internally and only the MPDU is passed from HFA3841. In receive, the HFA386X is used in the mode where it passes the PLCP header and the MPDU to the HFA3841.

BBP Packet Reception

There are 4 signals associated with the BBP Receive Port: RX_PE (receive enable), MDRDY (receive ready), RXD (receive data), and RXCLK (receive clock). These connect to the HFA3841 on pins PL1, PK5, RXD, and RXC, respectively.

The receive demodulator in the BBP is activated via RX_PE. When RX_PE goes active the demodulator scrutinizes I and Q for packet activity. When a packet arrives at a valid signal level the demodulator acquires and tracks the incoming signal. It then sifts through the demodulator data for the Start Frame Delimiter (SFD). Normally, MDRDY is programmed to

go active after SFD is detected. This signals the HFA3841, allowing it to pick off the needed header fields from the real-time demodulated bitstream rather than having to read these fields through the BBP Control Port.

Assuming all is well with the header, the BBP decodes the signal field in the header and switches to the appropriate data rate. If the signal field is not recognized, or the CRC16 is in error, then MDRDY will go inactive shortly after CRC16 and the demodulator will return to acquisition mode looking for another packet. If all is well with the header, and after the demodulator has switched to the appropriate data rate, then the demodulator will continue to provide data to the HFA3841 indefinitely.

Receive Port exchange details are depicted in Figure 20. Detailed timing is related in Figure 21 and Table 2.

For more detailed information concerning BBP packet reception see the HFA386x data sheets.

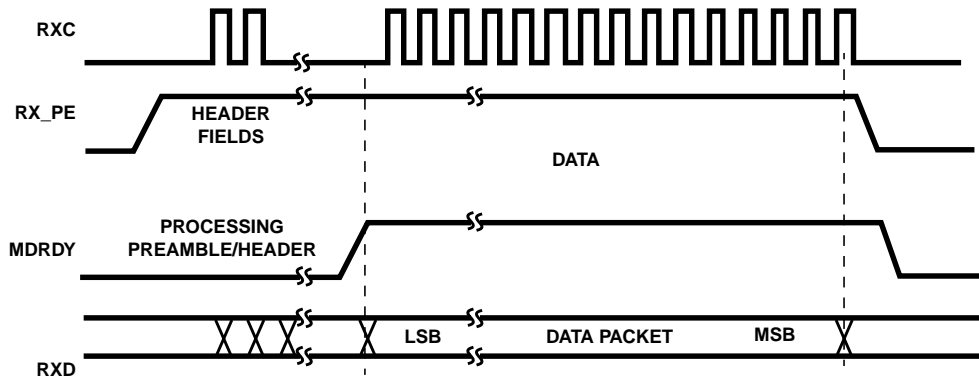


FIGURE 20. BBP RECEIVE PORT TIMING

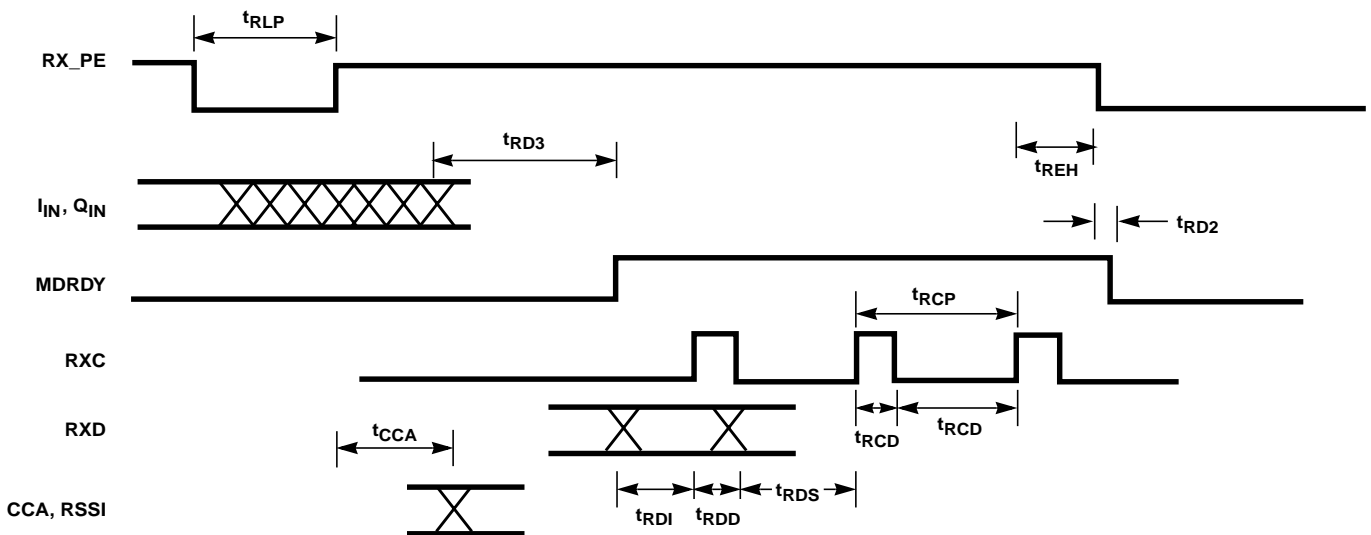


FIGURE 21. BBP RECEIVE PORT SIGNAL TIMING

NOTE: RXD, MDRDY is output two MCLK after RXC rising to provide hold time. RSSI output on TEST (5:0).

TABLE 2. BBP RECEIVE PORT AC ELECTRICAL SPECIFICATIONS

PARAMETER	SYMBOL	MIN	MAX	UNITS
RX_PE Inactive Width	t _{RLP}	70	-	ns (Note 13)
RXC Period (11MBps Mode)	t _{RCP}	77	-	ns
RXC Width Hi or Low (11MBps Mode)	t _{RCD}	31	-	ns
RXC to RXD	t _{RDD}	20	60	ns
MD_RDY to 1st RXC	t _{RD1}	940	-	ns (Note 14)
RXD to 1st RXC	t _{RD!}	940	-	ns
Setup RXD to RXC	t _{RDS}	31	-	ns
RXC to RX_PE Inactive (1MBps)	t _{REH}	0	925	ns (Note 15)
RXC to RX_PE Inactive (2MBps)	t _{REH}	0	380	ns (Note 15)
RXC to RX_PE Inactive (5.5MBps)	t _{REH}	0	140	ns (Note 15)
RXC to RX_PE Inactive (11MBps)	t _{REH}	0	50	ns (Note 15)
RX_PE inactive to MD_RDY Inactive	t _{RD2}	5	30	ns (Note 16)
Last Chip of SFD in to MD_RDY Active	t _{RD3}	2.77	2.86	μs (Note 14)
RX Delay		2.77	2.86	μs (Note 17)
RX_PE to CCA Valid	t _{CCA}	-	10	μs (Note 18)
RX_PE to RSSI Valid	t _{CCA}	-	10	μs (Note 18)

NOTES:

13. RX_PE must be inactive at least 3 MCLKs before going active to start a new CCA or acquisition.
14. MD_RDY programmed to go active after SFD detect (measured from I_{IN}, Q_{IN}).
15. RX_PE active to inactive delay to prevent next RXC.
16. Assumes RX_PE inactive after last RXC.
17. MD_RDY programmed to go active at MPDU start. Measured from first chip of first MPDU symbol at I_{IN}, Q_{IN} to MD_RDY active.
18. CCA and RSSI are measured once during the first 10μs interval following RX_PE going active. RX_PE must be pulsed to initiate a new measurement. RSSI may be read via serial port or from Test Bus.

BBP Packet Transmission

There are 4 signals associated with the BBP Transmit Port: TX_PE (transmit enable), TXRDY (transmit ready), TXD (transmit data), and TXCLK (transmit clock). These connect to the HFA3841 on PLO, PL7, TXD, and TXC, respectively.

State machines within the BBP control packet transmission and reception. In the case of a transmission, the MAC

signals the BBP with the signal TX_PE. The BBP forms the preamble and header and then signals the MAC to begin transferring data with the signal TXRDY. This sequence is illustrated in Figure 22 with detailed signal timing shown in Figure 23 and specified delays contained in Table 3. Note that if the MAC deactivates TX_PE too early it may cut off modulation of the final symbol. For this reason, when TX_PE is de-asserted the BBP will hold TXRDY active until the last symbol containing data is modulated. This is important for power sequencing and is discussed in more detail in that section.

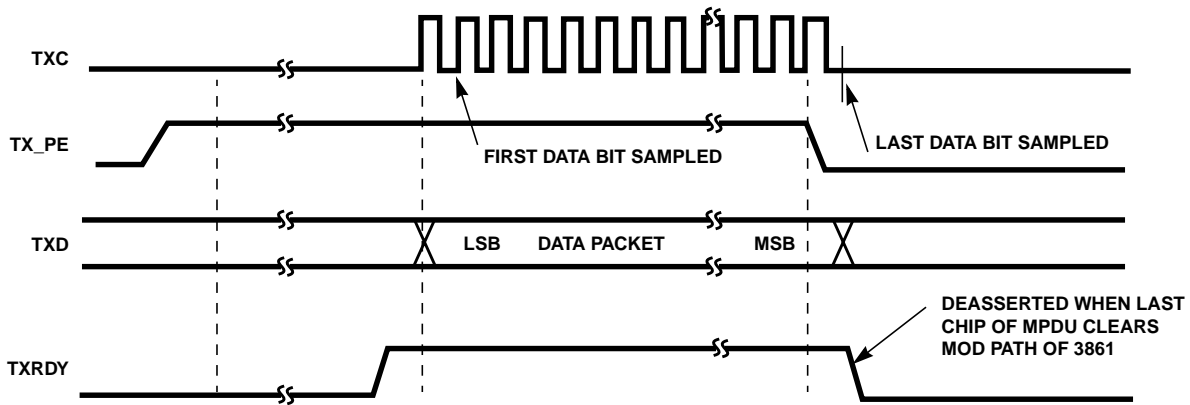
For more detailed information concerning BBP packet transmission see the HFA3861 data sheet.

TABLE 3. BBP TRANSMIT PORT AC ELECTRICAL SPECIFICATIONS

PARAMETER	SYMBOL	MIN	MAX	UNITS
TX_PE to I _{OUT} /Q _{OUT} (1st Valid Chip)	t _{D1}	2.18	2.3	μs (Note 19)
TX_PE Inactive Width	t _{TLP}	2.22	-	μs (Note 20)
TXC Width Hi or Low	t _{TCD}	40	-	ns
TXRDY Active to 1st TX_CLK Hi	t _{RC}	260	-	ns
Setup TXD to TXC Hi	t _{TDS}	30	-	ns
Hold TXD to TXC Hi	t _{TDH}	0	-	ns
TXC to TX_PE Inactive (1MBps)	t _{PEH}	0	965	ns (Note 22)
TXC to TX_PE Inactive (2MBps)	t _{PEH}	0	420	ns (Note 22)
TXC to TX_PE Inactive (5.5MBps)	t _{PEH}	0	160	ns (Note 22)
TXC to TX_PE Inactive (11MBps)	t _{PEH}	0	65	ns (Note 22)
TXRDY Inactive To Last Chip of MPDU Out	t _{RI}	-20	20	ns
TXD Modulation Extension	t _{ME}	2	-	μs (Note 21)

NOTES:

19. I_{OUT}/Q_{OUT} are modulated before first valid chip of preamble is output to provide ramp up time for RF/IF circuits.
20. TX_PE must be inactive before going active to generate a new packet.
21. I_{OUT}/Q_{OUT} are modulated after last chip of valid data to provide ramp down time for RF/IF circuits.
22. Delay from TXC to inactive edge of TXPE to prevent next TXC. Because TXPE asynchronously stops TXC, TXPE going inactive within 40ns of TXC will cause TXC minimum hi time to be less than 40ns.



NOTE: Preamble/Header and Data is transmitted LSB first. TXD shown generated from rising edge of TXC.

FIGURE 22. BBP TRANSMIT PORT TIMING

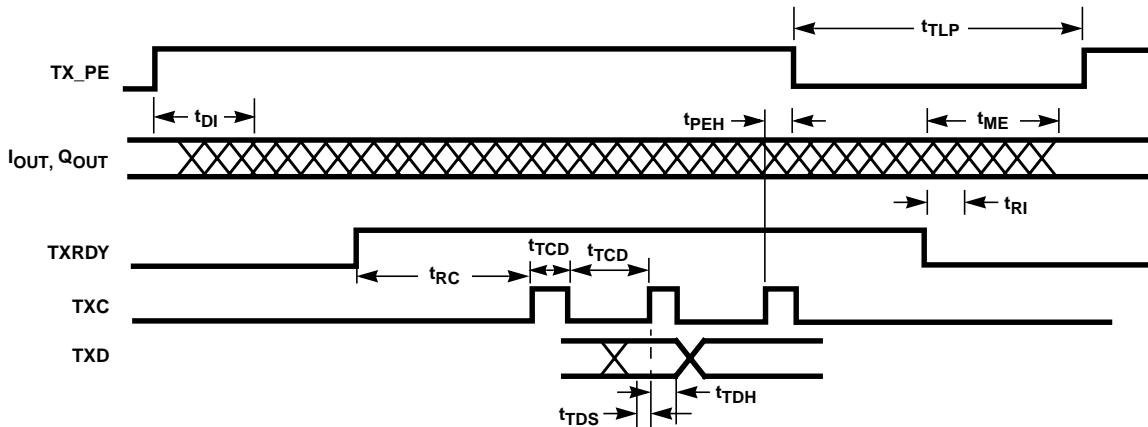


FIGURE 23. BBP TRANSMIT PORT SIGNAL TIMING

Power Sequencing

The HFA3841 provides a number of firmware controlled port pins that are used for controlling the power sequencing and other functions in the front end components of the PHY.

Packet transmission requires precise control of the radio. Ideally, energy at the antenna ceases after the last symbol of information has been transmitted. Additionally, the transmit/receive switch must be controlled properly to protect the receiver. It's also important to apply appropriate modulation to the PA while it's active.

Signaling sequences for the beginning and end of normal transmissions are illustrated in Figure 24. Table 4 lists applicable delays.

A transmission begins with PE2 as shown in Figure 24. Next, the transmit/receive switch is configured for transmission via the differential pair TR_SW and TR_SW_BAR. This is followed by TX_PE which activates the transmit state

machine in the BBP. Lastly, PA_PE activates the PA. Delays for these signals related to the initiation of transmission are referenced to PE2.

Immediately after the final data bit has been clocked out of the HFA3841, TX_PE is de-asserted. The HFA3841 then waits for TXRDY to go inactive, signaling that the BBP has modulated the final information-rich symbol. It then immediately de-asserts PA_PE followed by placing the transmit/receive switch in the receive position and ending with PE2 going high. Delays for these signals related to the termination of transmission are referenced to the rising edge of PE2.

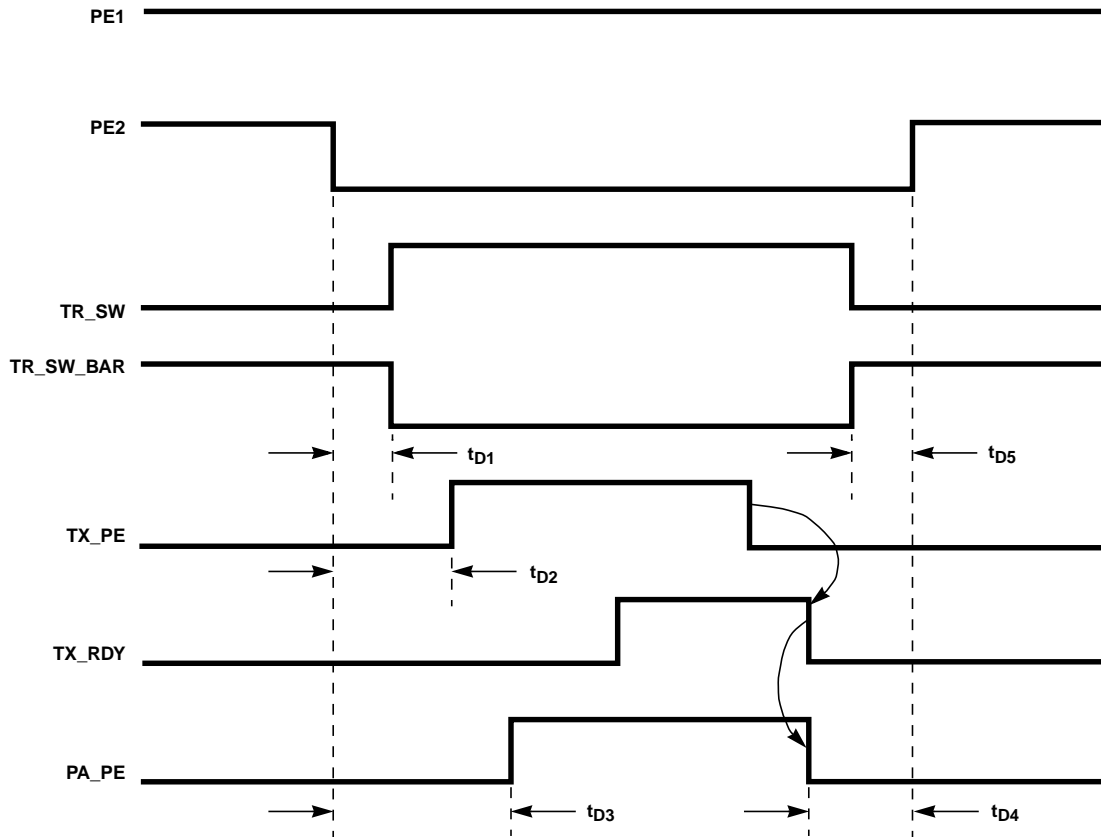


FIGURE 24. TRANSMIT CONTROL SIGNAL SEQUENCING

TABLE 4. TRANSMIT CONTROL TIMING SPECIFICATIONS

PARAMETER	SYMBOL	DELAY	TOLERANCE	UNITS
PE2 to TR Switch	t_{D1}	2	± 0.1	μs
PE2 to BBP TX_PE	t_{D2}	TBD	± 0.1	μs
PE2 to PA_PE	t_{D3}	3	± 0.1	μs
PA_PE to PE2	t_{D4}	3	± 0.1	μs
TR Switch to PE2	t_{D5}	2	± 0.1	μs

PE1 and PE2 encoding details are found in Table 5.

Note that during normal receive and transmit operation that PE1 is static and PE2 toggles for receive and transmit states.

TABLE 5. POWER ENABLE STATES

	PE1	PE2	PLL_PE
Power Down State	0	0	1
Receive State	1	1	1
Transmit State	1	0	1
PLL Active State	0	1	1
PLL Disable State	X	X	0

NOTE: PLL_PE is controlled via the serial interface, and can be used to disable the internal synthesizer, the actual synthesizer control is an AND function of PLL_PE, and a result of the OR function of PE1 and PE2. PE1 and PE2 will directly control the power enable functionality of the LO buffer(s)/phase shifter.

Master Clock

Prescaler

The HFA3841 contains a clock prescaler to provide flexibility in the choice of clock input frequencies. For 11Mb/s operation, the internal master clock, MCLK, must be between 11MHz and 16MHz. The clock generator itself requires an input from the prescaler that is twice the desired MCLK frequency. Thus the lowest oscillator frequency that can be used for an 11MHz MCLK is 22MHz. The prescaler can divide by integers and 1/2 steps (IE 1, 1.5, 2, 2.5). Another way to look at it is that the divisor ratio between the external clock source and the internal MCLK may be integers between 2 and 14.

Typically, the 44MHz baseband clock is used as the input, and the prescaler is set to divide by 2. Another useful configuration is to set the prescaler to divide by 1.5 (resulting in 44MHz ÷3) for an MCLK of 14.67MHz.

Off Chip

If an off chip oscillator source is used, it should be connected to the XTALI pin. Insure that the signal amplitude meets CMOS levels at the XTALI pin.

Oscillator

The XTALI and XTALO pins provide an on-chip oscillator function to generate the master clock. For a standard pierce oscillator, the crystal is connected between XTALI and XTALO. Two capacitors, typically 15pF each, are connected from each pin to ground. The crystal should be a fundamental mode, specified under parallel resonance conditions. The load capacitance seen by the crystal will be approximately 2pF more than the series combination of C₁ and C₂ plus stray capacitance. After power on, the crystal will require time to stabilize before normal operation can commence. Insure that reset remains asserted for enough time for the crystal oscillator to stabilize.

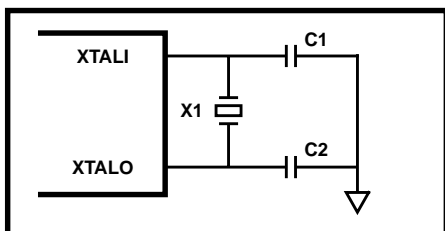


FIGURE 25. POWER ON RESET CONFIGURATION

Power On Reset Configuration

Power On Reset is issued to the HFA3841 with the HRESET pin or via the soft reset bit, SRESET, in the Configuration Option Register (COR, bit 7). HRESET originates from the HOST system which applies HRESET for at least 0.01ms after V_{CC} has reached 90% of its end value (see PC-Card standard, Vol. 2, Ch. 4.12.1).

The MD[15:8] pin values are sampled on the falling edge of HRESET or SRESET. These pins have internal 50K pull-down resistors. External pull-up resistors (typically 10kΩ) are used for bits that should be read as high at reset.

The table below summarizes the effect per pin.

TABLE 6. POR PINS AND FUNCTIONALITY

PIN	LATCH OUTPUT	FUNCTIONALITY
MD[8]	Reserved	
MD[9]	Nvdis	Disable mapping of CS to NV (Flash)
MD[10]	MEM16	External memory (RAM and Flash) is 16 bits wide
MD[11]	IDLE	See below
MD[12]	Reserved	
MD[15:13]	MD15/14/13	FW purposes

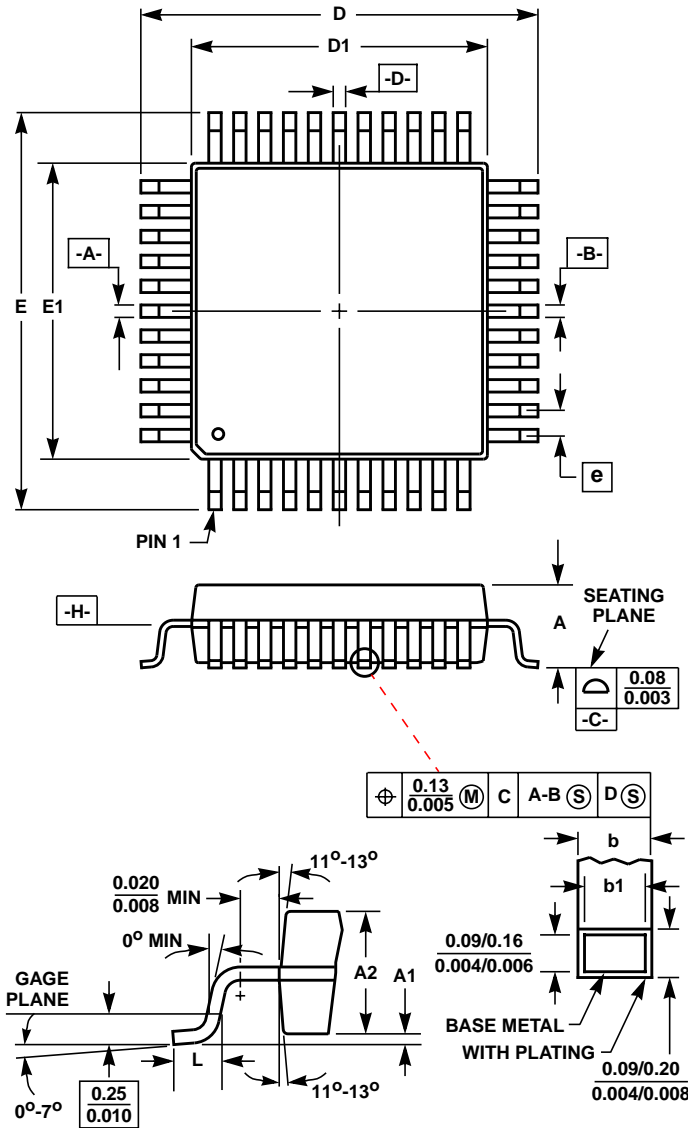
MD[11], IDLE, has no equivalent functionality in any control register. When asserted at reset, it will inhibit firmware execution. This is used to allow the initial download of firmware in "Genesis Mode". See the Hardware Reference Manual for more details. The latch is cleared when the Software Reset, SRESET, COR(7) is active.

References

For Intersil documents available on the internet, see web site <http://www.intersil.com/>
Intersil AnswerFAX (321) 724-7800.

- [1] IEEE Std 802.11-1999 Wireless LAN Medium Access Control (MAC) and Physical Layer (PHY) Specification.
- [2] *HFA3860B Data Sheet*, Direct Sequence Spread Spectrum Baseband Processor, Intersil Corporation, AnswerFAX Doc. No. 4594.
- [3] *HFA3861 Data Sheet*, Direct Sequence Spread Spectrum Baseband Processor, Intersil Corporation, AnswerFAX Doc. No. 4699.
- [4] *HFA3783 Data Sheet*, Quad IF, Intersil Corporation, AnswerFAX Doc. No. 4633.
- [5] *HFA3683 Data Sheet*, Direct Sequence Spread Spectrum Baseband Processor, Intersil Corporation, AnswerFAX Doc. No. 4634.
- [6] PC Card Standard 1996, PCMCIA/JEIDA.
- [7] *AN9874 Application Note*, Intersil Corporation, "ISA Plug and Play with the HFA3841".
- [8] *AN9844 Application Note*, Intersil Corporation, "HFA3841 to PRISMII Connections", AnswerFAX Doc. No. 99844

Thin Plastic Quad Flatpack Packages (LQFP)



Q128.14x20 (JEDEC MS-026BHB ISSUE C)
128 LEAD THIN PLASTIC QUAD FLATPACK PACKAGE

SYM-BOL	INCHES		MILLIMETERS		NOTES
	MIN	MAX	MIN	MAX	
A	-	0.062	-	1.60	-
A1	0.002	0.005	0.05	0.15	-
A2	0.054	0.057	1.35	1.45	-
b	0.007	0.010	0.17	0.27	6
b1	0.007	0.009	0.17	0.23	-
D	0.862	0.870	21.90	22.10	3
D1	0.783	0.791	19.90	20.10	4, 5
E	0.626	0.634	15.90	16.10	3
E1	0.547	0.555	13.90	14.10	4, 5
L	0.018	0.029	0.45	0.75	-
N	128		128		7
e	0.0197 BSC		0.50 BSC		-

Rev. 0 7/99

NOTES:

1. Controlling dimension: MILLIMETER. Converted inch dimensions are not necessarily exact.
2. All dimensions and tolerances per ANSI Y14.5M-1982.
3. Dimensions D and E to be determined at seating plane **-C-**.
4. Dimensions D1 and E1 to be determined at datum plane **-H-**.
5. Dimensions D1 and E1 do not include mold protrusion. Allowable protrusion is 0.25mm (0.010 inch) per side.
6. Dimension b does not include dambar protrusion. Allowable dambar protrusion shall not cause the lead width to exceed the maximum b dimension by more than 0.08mm (0.003 inch).
7. "N" is the number of terminal positions.

All Intersil semiconductor products are manufactured, assembled and tested under **ISO9000** quality systems certification.

Intersil semiconductor products are sold by description only. Intersil Corporation reserves the right to make changes in circuit design and/or specifications at any time without notice. Accordingly, the reader is cautioned to verify that data sheets are current before placing orders. Information furnished by Intersil is believed to be accurate and reliable. However, no responsibility is assumed by Intersil or its subsidiaries for its use; nor for any infringements of patents or other rights of third parties which may result from its use. No license is granted by implication or otherwise under any patent or patent rights of Intersil or its subsidiaries.

For information regarding Intersil Corporation and its products, see web site www.intersil.com

Sales Office Headquarters

NORTH AMERICA
 Intersil Corporation
 P. O. Box 883, Mail Stop 53-204
 Melbourne, FL 32902
 TEL: (321) 724-7000
 FAX: (321) 724-7240

EUROPE
 Intersil SA
 Mercure Center
 100, Rue de la Fusee
 1130 Brussels, Belgium
 TEL: (32) 2.724.2111
 FAX: (32) 2.724.22.05

ASIA
 Intersil (Taiwan) Ltd.
 7F-6, No. 101 Fu Hsing North Road
 Taipei, Taiwan
 Republic of China
 TEL: (886) 2 2716 9310
 FAX: (886) 2 2715 3029