

Regulating Pulse Width Modulators

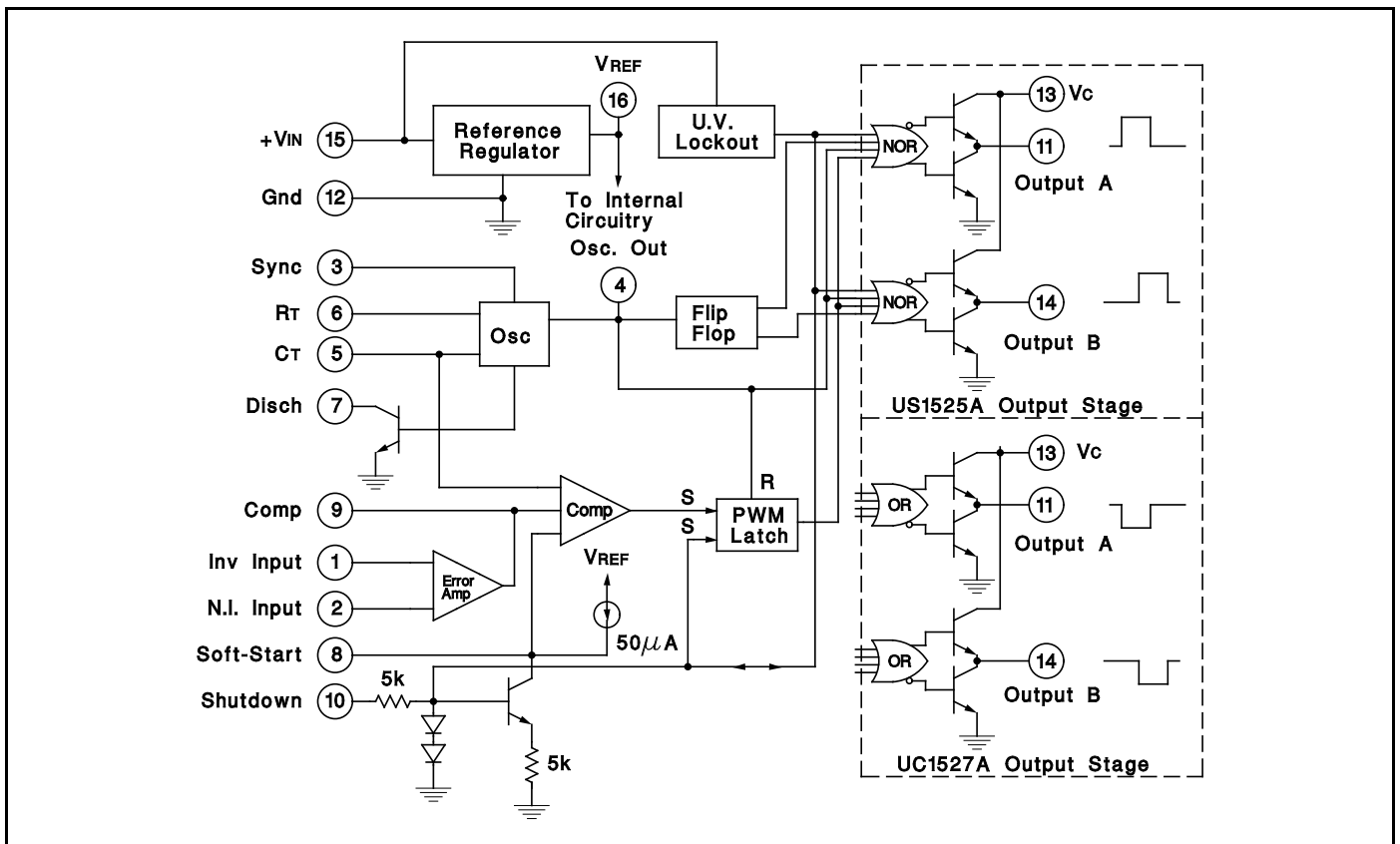
FEATURES

- 8 to 35V Operation
- 5.1V Reference Trimmed to $\pm 1\%$
- 100Hz to 500kHz Oscillator Range
- Separate Oscillator Sync Terminal
- Adjustable Deadtime Control
- Internal Soft-Start
- Pulse-by-Pulse Shutdown
- Input Undervoltage Lockout with Hysteresis
- Latching PWM to Prevent Multiple Pulses
- Dual Source/Sink Output Drivers

DESCRIPTION

The UC1525A/1527A series of pulse width modulator integrated circuits are designed to offer improved performance and lowered external parts count when used in designing all types of switching power supplies. The on-chip +5.1V reference is trimmed to $\pm 1\%$ and the input common-mode range of the error amplifier includes the reference voltage, eliminating external resistors. A sync input to the oscillator allows multiple units to be slaved or a single unit to be synchronized to an external system clock. A single resistor between the CT and the discharge terminals provides a wide range of dead-time adjustment. These devices also feature built-in soft-start circuitry with only an external timing capacitor required. A shutdown terminal controls both the soft-start circuitry and the output stages, providing instantaneous turn off through the PWM latch with pulsed shutdown, as well as soft-start recycle with longer shutdown commands. These functions are also controlled by an undervoltage lockout which keeps the outputs off and the soft-start capacitor discharged for sub-normal input voltages. This lockout circuitry includes approximately 500mV of hysteresis for jitter-free operation. Another feature of these PWM circuits is a latch following the comparator. Once a PWM pulse has been terminated for any reason, the outputs will remain off for the duration of the period. The latch is reset with each clock pulse. The output stages are totem-pole designs capable of sourcing or sinking in excess of 200mA. The UC1525A output stage features NOR logic, giving a LOW output for an OFF state. The UC1527A utilizes OR logic which results in a HIGH output level when OFF.

BLOCK DIAGRAM



ABSOLUTE MAXIMUM RATINGS (Note 1)

Supply Voltage, (+VIN)	+40V
Collector Supply Voltage (Vc)	+40V
Logic Inputs	-0.3V to +5.5V
Analog Inputs	-0.3V to +VIN
Output Current, Source or Sink	500mA
Reference Output Current	50mA
Oscillator Charging Current	5mA
Power Dissipation at TA = +25°C (Note 2)	1000mW
Power Dissipation at Tc = +25°C (Note 2)	2000mW
Operating Junction Temperature	-55°C to +150°C
Storage Temperature Range	-65°C to +150°C
Lead Temperature (Soldering, 10 seconds)	+300°C

Note 1: Values beyond which damage may occur.
 Note 2: Consult packaging Section of Databook for thermal limitations and considerations of package.

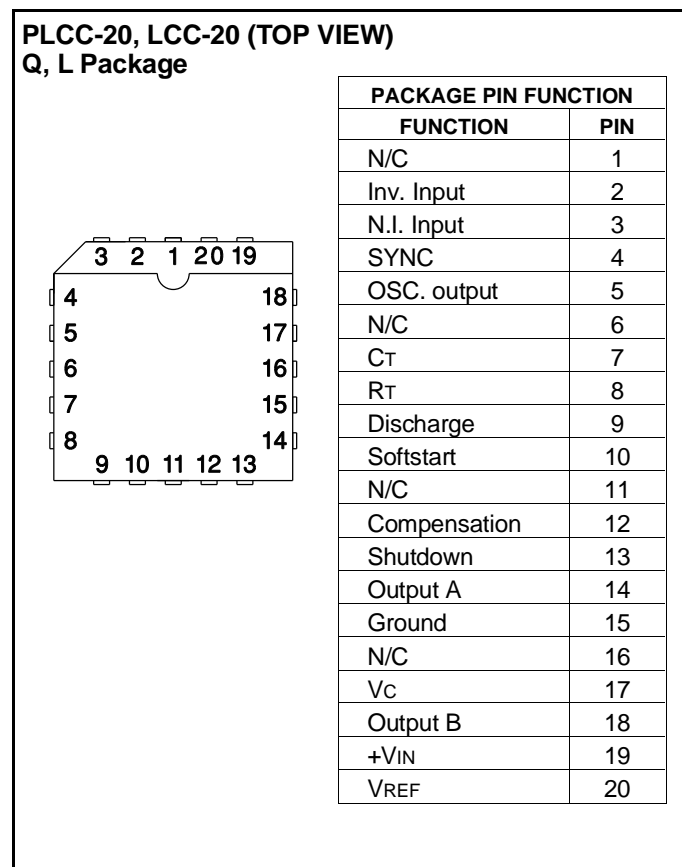
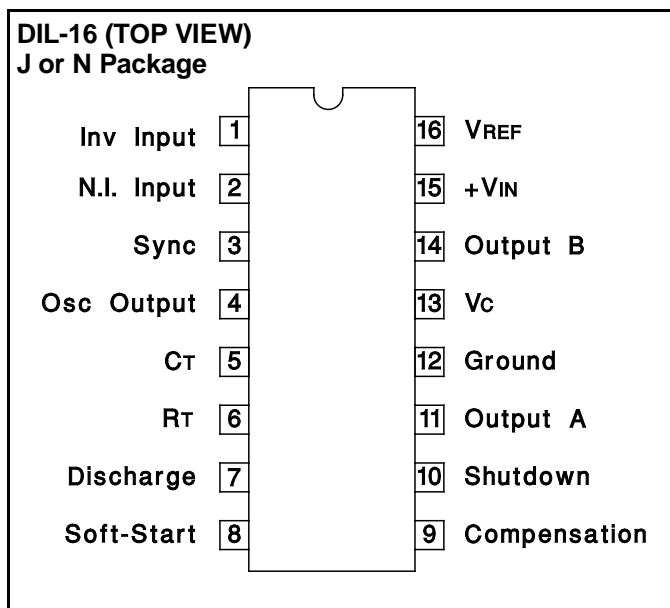
RECOMMENDED OPERATING CONDITIONS (Note 3)

Input Voltage (+VIN)	+8V to +35V
Collector Supply Voltage (Vc)	+4.5V to +35V
Sink/Source Load Current (steady state)	0 to 100mA
Sink/Source Load Current (peak)	0 to 400mA
Reference Load Current	0 to 20mA
Oscillator Frequency Range	100Hz to 400kHz
Oscillator Timing Resistor	2kΩ to 150kΩ
Oscillator Timing Capacitor001μF to 0.1μF
Dead Time Resistor Range	0 to 500Ω
Operating Ambient Temperature Range	

UC1525A, UC1527A	-55°C to +125°C
UC2525A, UC2527A	-25°C to +85°C
UC3525A, UC3527A	0°C to +70°C

Note 3: Range over which the device is functional and parameter limits are guaranteed.

CONNECTION DIAGRAMS



ELECTRICAL CHARACTERISTICS: +V_{IN} = 20V, and over operating temperature, unless otherwise specified, T_A = T_J

PARAMETER	TEST CONDITIONS	UC1525A/UC2525A UC1527A/UC2527A			UC3525A UC3527A			UNITS
		MIN	TYP	MAX	MIN	TYP	MAX	
Reference Section								
Output Voltage	T _J = 25°C	5.05	5.10	5.15	5.00	5.10	5.20	V
Line Regulation	V _{IN} = 8 to 35V		10	20		10	20	mV
Load Regulation	I _L = 0 to 20mA		20	50		20	50	mV
Temperature Stability (Note 5)	Over Operating Range		20	50		20	50	
Total Output Variation (Note 5)	Line, Load, and Temperature	5.00		5.20	4.95		5.25	V
Shorter Circuit Current	V _{REF} = 0, T _J = 25°C		80	100		80	100	mA
Output Noise Voltage (Note 5)	10Hz ≤ 10kHz, T _J = 25°C		40	200		40	200	μV _{rms}
Long Term Stability (Note 5)	T _J = 125°C		20	50		20	50	mV
Oscillator Section (Note 6)								
Initial Accuracy (Notes 5 & 6)	T _J = 25°C		± 2	± 6		± 2	± 6	%
Voltage Stability (Notes 5 & 6)	V _{IN} = 8 to 35V		± 0.3	± 1		± 1	± 2	%
Temperature Stability (Note 5)	Over Operating Range		± 3	± 6		± 3	± 6	%
Minimum Frequency	R _T = 200kΩ, C _T = 0.1μF			120			120	Hz
Maximum Frequency	R _T = 2kΩ, C _T = 470pF	400			400			kHz
Current Mirror	I _{RT} = 2mA	1.7	2.0	2.2	1.7	2.0	2.2	mA
Clock Amplitude (Notes 5 & 6)		3.0	3.5		3.0	3.5		V
Clock Width (Notes 5 & 6)	T _J = 25°C	0.3	0.5	1.0	0.3	0.5	1.0	μs
Sync Threshold		1.2	2.0	2.8	1.2	2.0	2.8	V
Sync Input Current	Sync Voltage = 3.5V		1.0	2.5		1.0	2.5	mA
Error Amplifier Section (V_{CM} = 5.1V)								
Input Offset Voltage			0.5	5		2	10	mV
Input Bias Current			1	10		1	10	μA
Input Offset Current				1			1	μA
DC Open Loop Gain	R _L ≥ 10MΩ	60	75		60	75		dB
Gain-Bandwidth Product (Note 5)	A _v = 0dB, T _J = 25°C	1	2		1	2		MHz
DC Transconductance (Notes 5 & 7)	T _J = 25°C, 30kΩ ≤ R _L ≤ 1MΩ	1.1	1.5		1.1	1.5		mS
Output Low Level			0.2	0.5		0.2	0.5	V
Output High Level		3.8	5.6		3.8	5.6		V
Common Mode Rejection	V _{CM} = 1.5 to 5.2V	60	75		60	75		dB
Supply Voltage Rejection	V _{IN} = 8 to 35V	50	60		50	60		dB

Note 5: These parameters, although guaranteed over the recommended operating conditions, are not 100% tested in production.

Note 6: Tested at f_{osc} = 40kHz (R_T = 3.6kΩ, C_T = 0.01μF, R_D = 0Ω). Approximate oscillator frequency is defined by:

$$f = \frac{1}{C_T(0.7R_T + 3R_D)}$$

Note 7: DC transconductance (g_m) relates to DC open-loop voltage gain (A_v) according to the following equation: A_v = g_mR_L where R_L is the resistance from pin 9 to ground.

The minimum g_m specification is used to calculate minimum A_v when the error amplifier output is loaded.

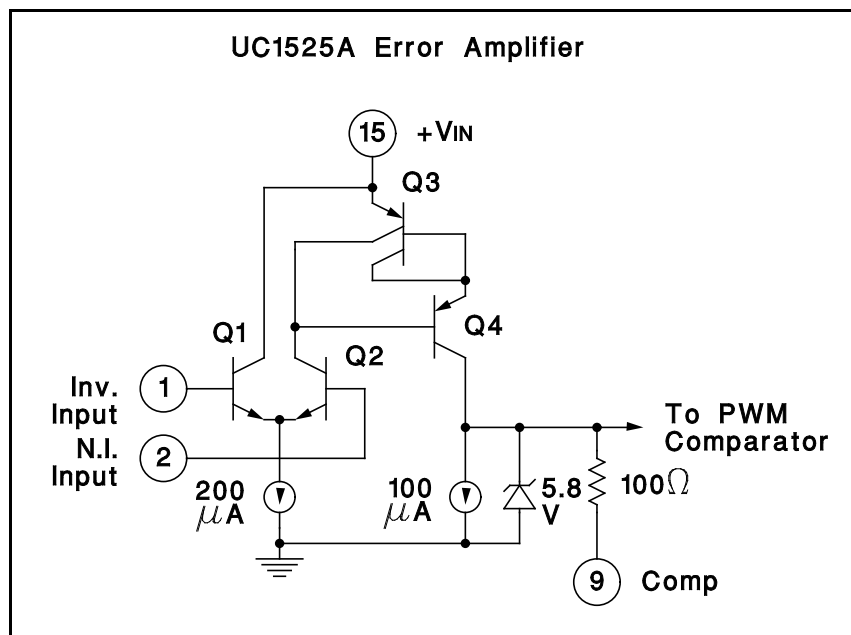
ELECTRICAL CHARACTERISTICS: +VIN = 20V, and over operating temperature, unless otherwise specified, TA = TJ

PARAMETER	TEST CONDITIONS	UC1525A/UC2525A UC1527A/UC2527A			UC3525A UC3527A			UNITS
		MIN	TYP	MAX	MIN	TYP	MAX	
PWM Comparator								
Minimum Duty-Cycle				0			0	%
Maximum Duty-Cycle		45	49		45	49		%
Input Threshold (Note 6)	Zero Duty-Cycle	0.7	0.9		0.7	0.9		V
	Maximum Duty-Cycle		3.3	3.6		3.3	3.6	V
Input Bias Current (Note 5)			.05	1.0		.05	1.0	μA
Shutdown Section								
Soft Start Current	VSD = 0V, VSS = 0V	25	50	80	25	50	80	μA
Soft Start Low Level	VSD = 2.5V		0.4	0.7		0.4	0.7	V
Shutdown Threshold	To outputs, VSS = 5.1V, TJ = 25°C	0.6	0.8	1.0	0.6	0.8	1.0	V
Shutdown Input Current	VSD = 2.5V		0.4	1.0		0.4	1.0	mA
Shutdown Delay (Note 5)	VSD = 2.5V, TJ = 25°C		0.2	0.5		0.2	0.5	μs
Output Drivers (Each Output) (VC = 20V)								
Output Low Level	ISINK = 20mA		0.2	0.4		0.2	0.4	V
	ISINK = 100mA		1.0	2.0		1.0	2.0	V
Output High Level	ISOURCE = 20mA	18	19		18	19		V
	ISOURCE = 100mA	17	18		17	18		V
Under-Voltage Lockout	VCOMP and VSS = High	6	7	8	6	7	8	V
Vc OFF Current (Note 7)	VC = 35V			200			200	μA
Rise Time (Note 5)	CL = 1nF, TJ = 25°C		100	600		100	600	ns
Fall Time (Note 5)	CL = 1nF, TJ = 25°C		50	300		50	300	ns
Total Standby Current								
Supply Current	VIN = 35V		14	20		14	20	mA

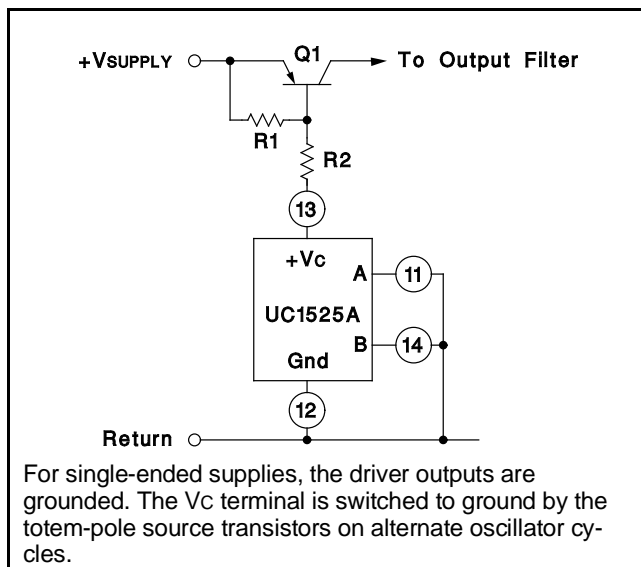
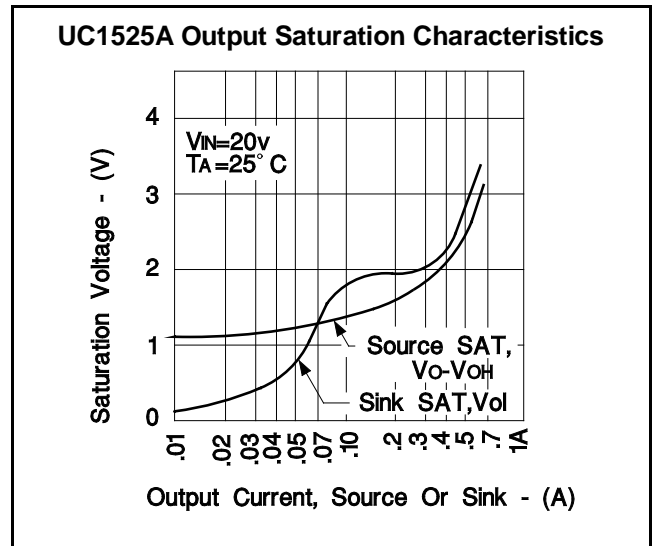
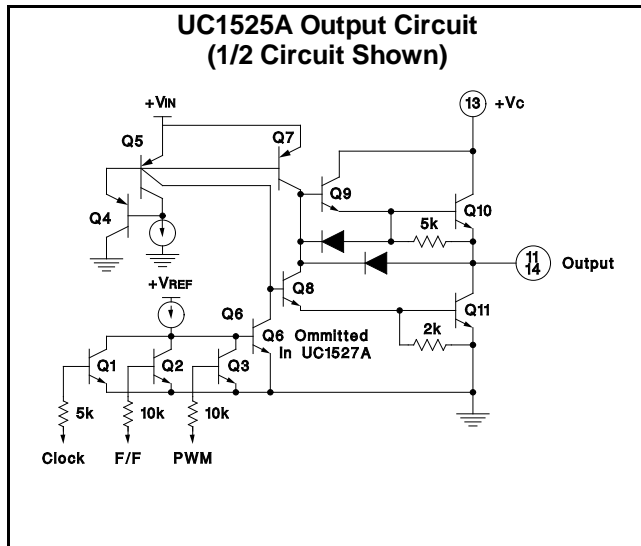
Note 5: These parameters, although guaranteed over the recommended operating conditions, are not 100% tested in production.

Note 6: Tested at fosc = 40kHz (RT = 3.6kΩ, CT = 0.01μF, RD = 0Ω).

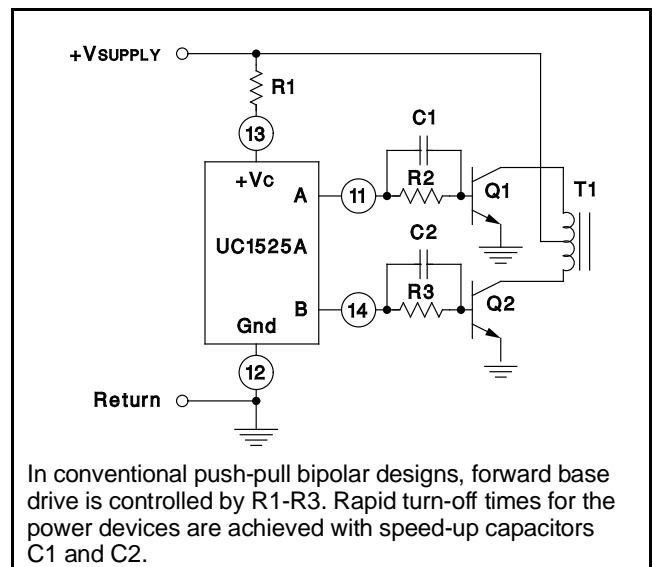
Note 7: Collector off-state quiescent current measured at pin 13 with outputs low for UC1525A and high for UC1527A.



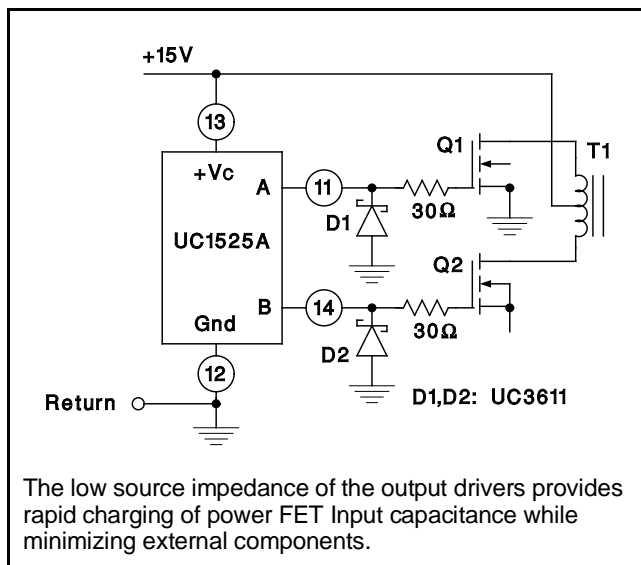
PRINCIPLES OF OPERATION AND TYPICAL CHARACTERISTICS



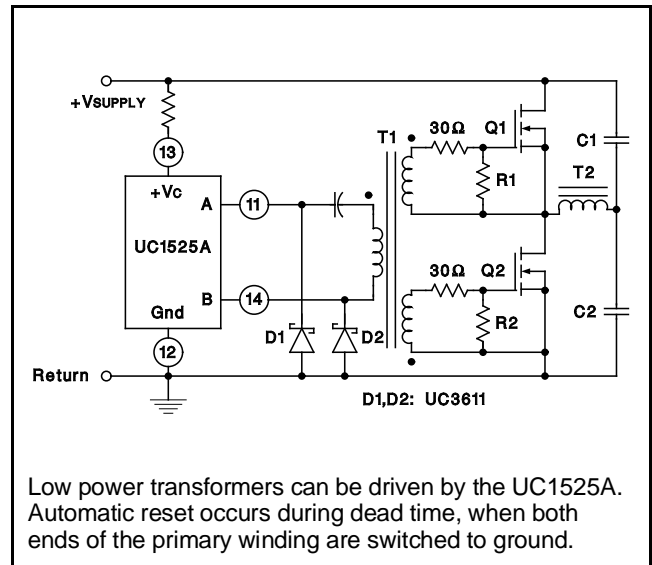
For single-ended supplies, the driver outputs are grounded. The Vc terminal is switched to ground by the totem-pole source transistors on alternate oscillator cycles.



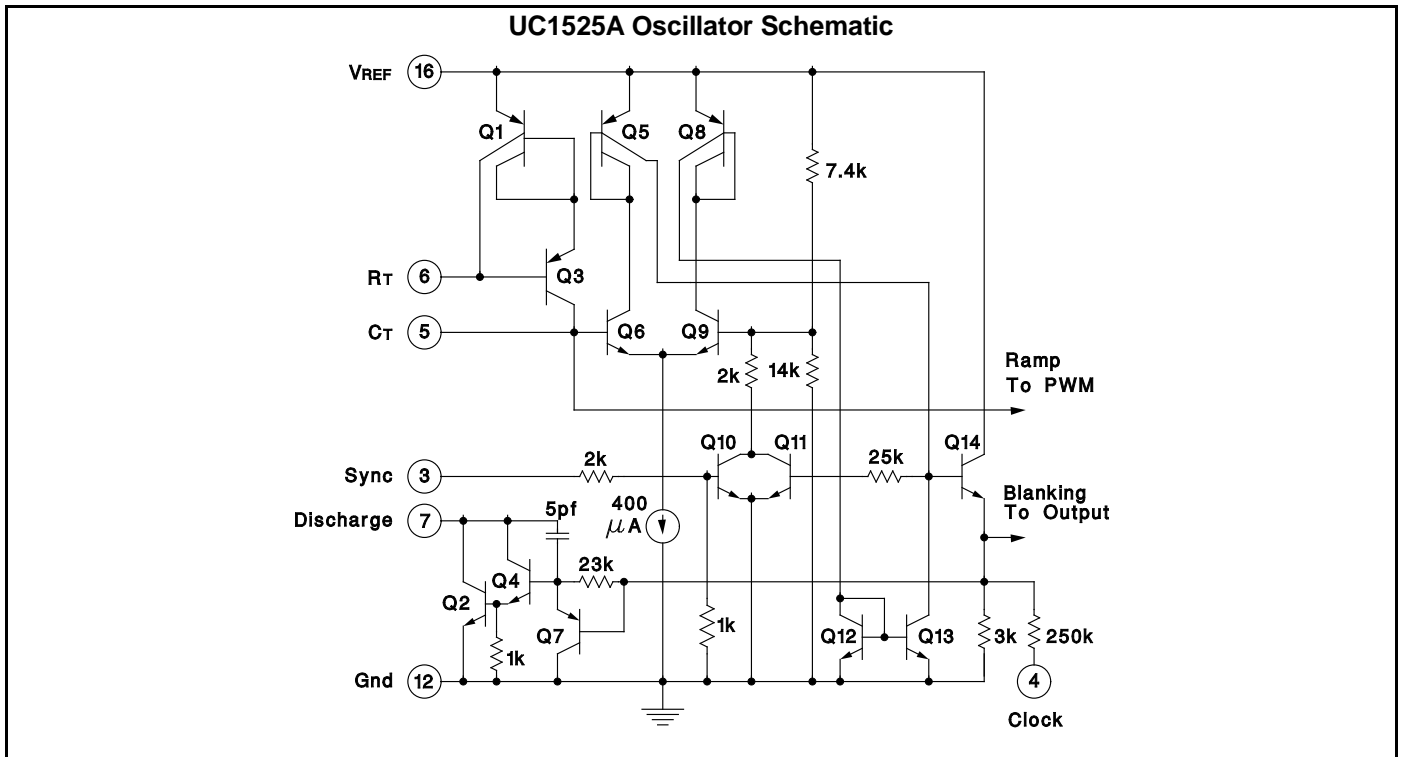
In conventional push-pull bipolar designs, forward base drive is controlled by R1-R3. Rapid turn-off times for the power devices are achieved with speed-up capacitors C1 and C2.



The low source impedance of the output drivers provides rapid charging of power FET Input capacitance while minimizing external components.



Low power transformers can be driven by the UC1525A. Automatic reset occurs during dead time, when both ends of the primary winding are switched to ground.



PRINCIPLES OF OPERATION AND TYPICAL CHARACTERISTIC SHUTDOWN OPTIONS

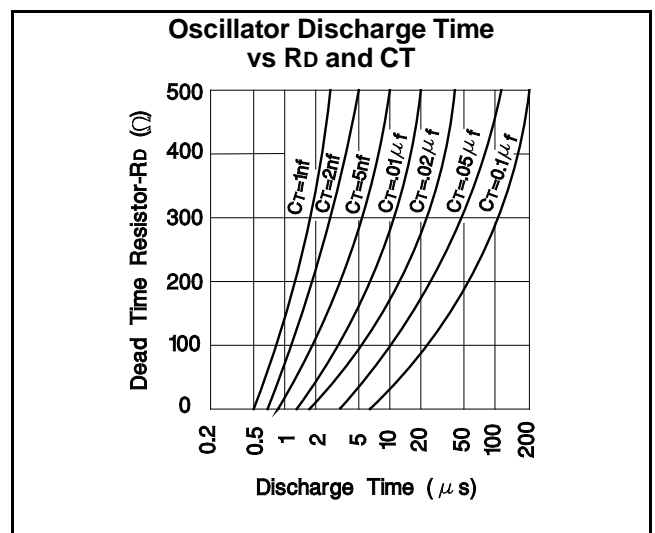
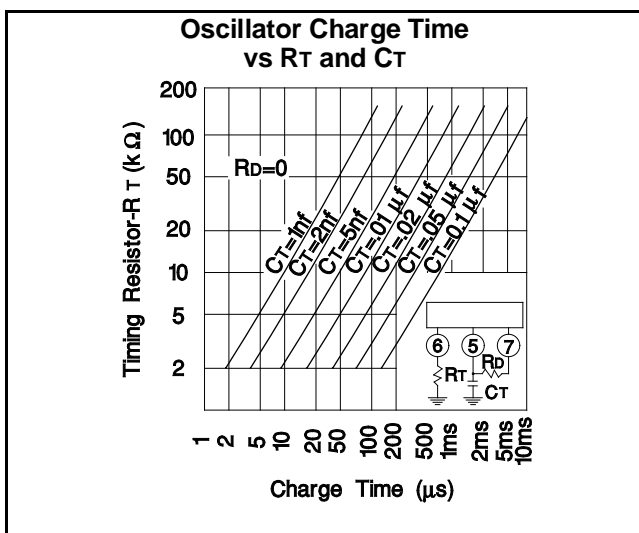
(See Block Diagram)

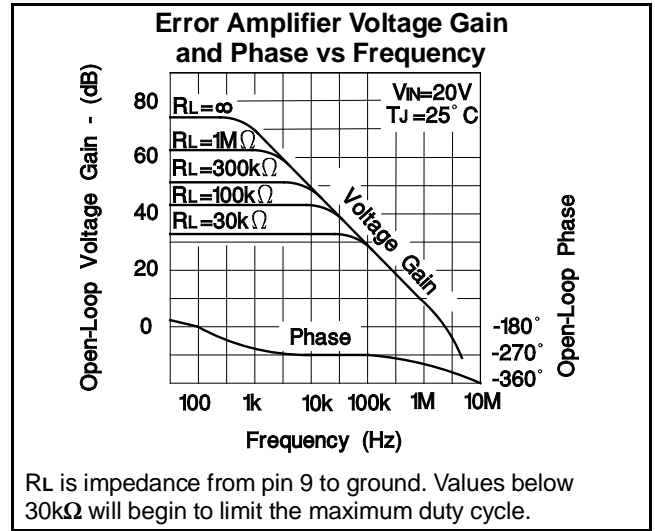
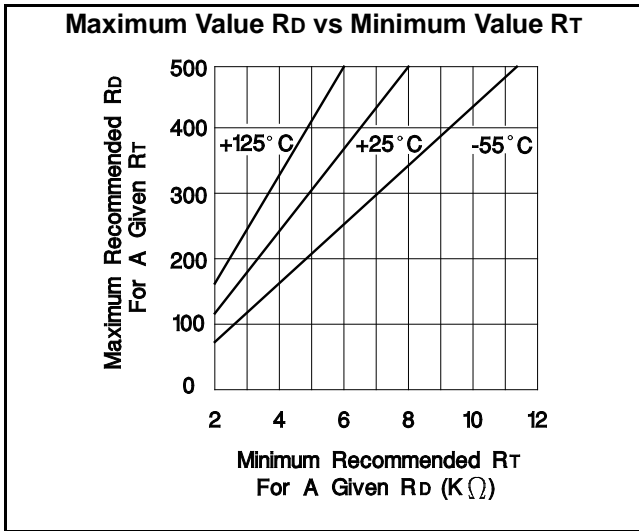
Since both the compensation and soft-start terminals (Pins 9 and 8) have current source pull-ups, either can readily accept a pull-down signal which only has to sink a maximum of 100μA to turn off the outputs. This is subject to the added requirement of discharging whatever external capacitance may be attached to these pins.

An alternate approach is the use of the shutdown circuitry of Pin 10 which has been improved to enhance the available shutdown options. Activating this circuit by applying

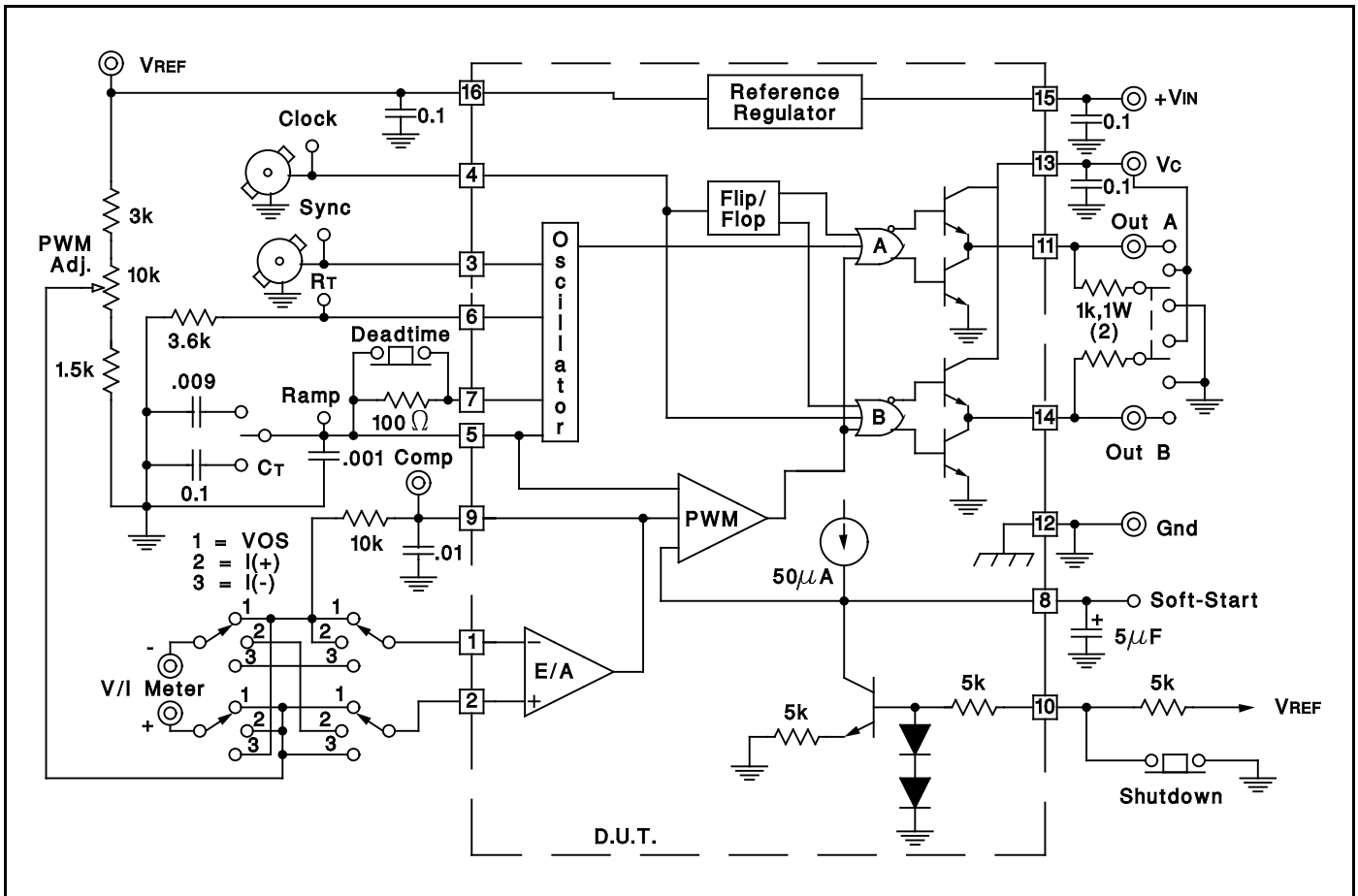
a positive signal on Pin 10 performs two functions; the PWM latch is immediately set providing the fastest turn-off signal to the outputs; and a 150μA-current sink begins to discharge the external soft-start capacitor. If the shutdown command is short, the PWM signal is terminated without significant discharge of the soft-start capacitor, thus, allowing, for example, a convenient implementation of pulse-by-pulse current limiting. Holding Pin 10 high for a longer duration, however, will ultimately discharge this external capacitor, recycling slow turn-on upon release.

Pin 10 should not be left floating as noise pickup could conceivably interrupt normal operation.





LAB TEST FIXTURE



IMPORTANT NOTICE

Texas Instruments and its subsidiaries (TI) reserve the right to make changes to their products or to discontinue any product or service without notice, and advise customers to obtain the latest version of relevant information to verify, before placing orders, that information being relied on is current and complete. All products are sold subject to the terms and conditions of sale supplied at the time of order acknowledgement, including those pertaining to warranty, patent infringement, and limitation of liability.

TI warrants performance of its semiconductor products to the specifications applicable at the time of sale in accordance with TI's standard warranty. Testing and other quality control techniques are utilized to the extent TI deems necessary to support this warranty. Specific testing of all parameters of each device is not necessarily performed, except those mandated by government requirements.

CERTAIN APPLICATIONS USING SEMICONDUCTOR PRODUCTS MAY INVOLVE POTENTIAL RISKS OF DEATH, PERSONAL INJURY, OR SEVERE PROPERTY OR ENVIRONMENTAL DAMAGE ("CRITICAL APPLICATIONS"). TI SEMICONDUCTOR PRODUCTS ARE NOT DESIGNED, AUTHORIZED, OR WARRANTED TO BE SUITABLE FOR USE IN LIFE-SUPPORT DEVICES OR SYSTEMS OR OTHER CRITICAL APPLICATIONS. INCLUSION OF TI PRODUCTS IN SUCH APPLICATIONS IS UNDERSTOOD TO BE FULLY AT THE CUSTOMER'S RISK.

In order to minimize risks associated with the customer's applications, adequate design and operating safeguards must be provided by the customer to minimize inherent or procedural hazards.

TI assumes no liability for applications assistance or customer product design. TI does not warrant or represent that any license, either express or implied, is granted under any patent right, copyright, mask work right, or other intellectual property right of TI covering or relating to any combination, machine, or process in which such semiconductor products or services might be or are used. TI's publication of information regarding any third party's products or services does not constitute TI's approval, warranty or endorsement thereof.

[>> Semiconductor Home](#) >
 [Products](#) >
 [Analog & Mixed-Signal](#) >
 [Power Management](#) >
 [Switching Power Supply Controllers](#) >
 [Voltage Mode](#) >

UC1525A, REGULATING PULSE WIDTH MODULATORS

Device Status: Active

- > [Description](#)
- > [Features](#)
- > [Datasheets](#)
- > [Pricing/Samples/Availability](#)
- > [Application Notes](#)
- > [Development Tools](#)
- > [Applications](#)

Parameter Name	UC1525A
Shutdown	Yes
Pulse - by - Pulse Isense	No
Vsupply Operating Range (V)	8 - 35
Output Type	Dual Alternating, Totem Pole
Output Current (mA)	200
Frequency (max) (kHz)	500
Reference Voltage (V)	5.1
Vref tol (%)	1
Duty Cycle (max) (%)	50/50
Undervoltage Lockout	Yes
On-board Amplifiers	1
Output Mode Fixed Push - Pull	Yes
Output Mode Single - Ended	No
Programmable Outputs	No
Dead Time Control	Yes

Description



The UC1525A/1527A series of pulse width modulator integrated circuits are designed to offer improved performance and lowered external parts count when used in designing all types of switching power supplies. The on-chip +5.1V reference is trimmed to $\pm 1\%$ and the input common-mode range of the error amplifier includes the reference voltage, eliminating external resistors. A sync input to the oscillator allows multiple units to be slaved or a single unit to be synchronized to an external system clock. A single resistor between the C_T and the discharge terminals provides a wide range of dead-time adjustment. These devices also feature built-in soft-start circuitry with only an external timing capacitor required. A shutdown terminal controls both the soft-start circuitry and the output stages, providing instantaneous turn off through the PWM latch with pulsed shutdown, as well as soft-start recycle with longer shutdown commands. These functions are also controlled by an

undervoltage lockout which keeps the outputs off and the soft-start capacitor discharged for sub-normal input voltages. This lockout circuitry includes approximately 500mV of hysteresis for jitter-free operation. Another feature of these PWM circuits is a latch following the comparator. Once a PWM pulse has been terminated for any reason, the outputs will remain off for the duration of the period. The latch is reset with each clock pulse. The output stages are totem-pole designs capable of sourcing or sinking in excess of 200mA. The UC1525A output stage features NOR logic, giving a LOW output for an OFF state. The UC1527A utilizes OR logic which results in a HIGH output level when OFF.

Features

- 8 to 35V Operation
- 5.1V Reference Trimmed to $\pm 1\%$
- 100Hz to 500kHz Oscillator Range
- Separate Oscillator Sync Terminal
- Adjustable Deadtime Control
- Internal Soft-Start
- Pulse-by-Pulse Shutdown
- Input Undervoltage Lockout with Hysteresis
- Latching PWM to Prevent Multiple Pulses
- Dual Source/Sink Output Drivers

To view the following documents, [Acrobat Reader 3.x](#) is required.

To download a document to your hard drive, right-click on the link and choose 'Save'.

Datasheets

Full datasheet in Acrobat PDF: [slus191.pdf](#) (665 KB)

Pricing/Samples/Availability

Orderable Device	Package	Pins	Temp (°C)	Status	Price/unit USD (100-999)	Pack Qty	DSCC Number	Availability / Samples
5962-89511012A	L	20	-55 TO 125	ACTIVE	43.45	1		Check stock or order
5962-8951101EA	J	16	-55 TO 125	ACTIVE	20.32	1		Check stock or order
5962-89511032A	L	20	-55 TO 125	ACTIVE	43.45	1		Check stock or order
5962-8951103EA	J	16	-55 TO 125	ACTIVE	20.32	1		Check stock or order
UC1525AJ	UTR	16	-55 TO 125	ACTIVE	8.88	1		Check stock or order
UC1525AJ883B	UTR	16	-55 TO 125	ACTIVE	20.32	1	5962-9326102MEA	Check stock or order
UC1525AL	UTR	20	-55 TO 125	ACTIVE	22.98	1		Check stock or order

UC1525AL883B	UTR	20	-55 TO 125	ACTIVE	43.45	1	5962- 8670404XA	Check stock or order
--------------	---------------------	----	---------------	--------	-------	---	--------------------	--

Application Reports

- [ANALOG APPLICATIONS JOURNAL, FEBRUARY 2000](#) (SLYT012A - Updated: 03/23/2000)
- [ANALOG APPLICATIONS JOURNAL, NOVEMBER 1999](#) (SLYT010A - Updated: 03/23/2000)
- [ELECTROSTATIC DISCHARGE APPLICATION NOTE](#) (SSYA008 - Updated: 05/05/1999)
- [THERMAL CHARACTERISTICS OF LINEAR AND LOGIC PACKAGES USING JEDEC PCB DESIGNS](#) (SZZA017A - Updated: 09/15/1999)

Table Data Updated on: 6/18/2000

• [Search](#) • [Tech Support](#) • [Comments](#) • [Site Map](#) • [TI&ME](#) • [Home](#)

*(c) Copyright 2000 Texas Instruments Incorporated. All rights reserved.
[Trademarks](#), [Important Notice!](#), [Privacy Policy](#)*

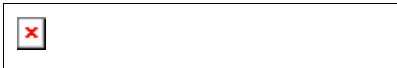
UC1527A, REGULATING PULSE WIDTH MODULATORS

Device Status: Active

- > [Description](#)
- > [Features](#)
- > [Datasheets](#)
- > [Pricing/Samples/Availability](#)
- > [Application Notes](#)
- > [Development Tools](#)
- > [Applications](#)

Parameter Name	UC1527A
Shutdown	Yes
Pulse - by - Pulse Isense	No
Vsupply Operating Range (V)	8 - 35
Output Type	Dual Alternating, Totem Pole
Output Current (mA)	200
Frequency (max) (kHz)	500
Reference Voltage (V)	5.1
Vref tol (%)	1
Duty Cycle (max) (%)	50/50
Undervoltage Lockout	Yes
On-board Amplifiers	1
Output Mode Fixed Push - Pull	Yes
Output Mode Single - Ended	No
Programmable Outputs	No
Dead Time Control	Yes

Description



The UC1525A/1527A series of pulse width modulator integrated circuits are designed to offer improved performance and lowered external parts count when used in designing all types of switching power supplies. The on-chip +5.1V reference is trimmed to $\pm 1\%$ and the input common-mode range of the error amplifier includes the reference voltage, eliminating external resistors. A sync input to the oscillator allows multiple units to be slaved or a single unit to be synchronized to an external system clock. A single resistor between the C_T and the discharge terminals provides a wide range of dead-time adjustment. These devices also feature built-in soft-start circuitry with only an external timing capacitor required. A shutdown terminal controls both the soft-start circuitry and the output stages, providing instantaneous turn off through the PWM latch with pulsed shutdown, as well as soft-start recycle with longer shutdown commands. These functions are also controlled by an

undervoltage lockout which keeps the outputs off and the soft-start capacitor discharged for sub-normal input voltages. This lockout circuitry includes approximately 500mV of hysteresis for jitter-free operation. Another feature of these PWM circuits is a latch following the comparator. Once a PWM pulse has been terminated for any reason, the outputs will remain off for the duration of the period. The latch is reset with each clock pulse. The output stages are totem-pole designs capable of sourcing or sinking in excess of 200mA. The UC1525A output stage features NOR logic, giving a LOW output for an OFF state. The UC1527A utilizes OR logic which results in a HIGH output level when OFF.

Features

- 8 to 35V Operation
- 5.1V Reference Trimmed to $\pm 1\%$
- 100Hz to 500kHz Oscillator Range
- Separate Oscillator Sync Terminal
- Adjustable Deadtime Control
- Internal Soft-Start
- Pulse-by-Pulse Shutdown
- Input Undervoltage Lockout with Hysteresis
- Latching PWM to Prevent Multiple Pulses
- Dual Source/Sink Output Drivers

To view the following documents, [Acrobat Reader 3.x](#) is required.

To download a document to your hard drive, right-click on the link and choose 'Save'.

Datasheets

Full datasheet in Acrobat PDF: [slus191.pdf](#) (665 KB)

Pricing/Samples/Availability

Orderable Device	Package	Pins	Temp (°C)	Status	Price/unit USD (100-999)	Pack Qty	DSCC Number	Availability / Samples
5962-8951104EA	J	16	-55 TO 125	ACTIVE	19.87	1		Check stock or order
UC1527AJ	UTR	16	-55 TO 125	ACTIVE	10.37	1		Check stock or order
UC1527AJ883B	UTR	16	-55 TO 125	ACTIVE	19.87	1		Check stock or order
UC1527AL883B	UTR	20	-55 TO 125	ACTIVE	41.23	1	5962-86806012A	Check stock or order

Application Reports

- [ANALOG APPLICATIONS JOURNAL, FEBRUARY 2000](#) (SLYT012A - Updated: 03/23/2000)
- [ANALOG APPLICATIONS JOURNAL, NOVEMBER 1999](#) (SLYT010A - Updated: 03/23/2000)
- [ELECTROSTATIC DISCHARGE APPLICATION NOTE](#) (SSYA008 - Updated: 05/05/1999)