



# CY27C010

## 128K x 8 CMOS EPROM

### Features

- **Very Fast Read Access Time: (45 - 200 ns)**
- **5V ± 10% Power Supply**
- **Capable of withstanding >2001V ESD**
- **Latch-up Protection up to 200mA**
- **Two line control functions to prevent bus contention**
- **Standard JEDEC Packages**
  - 32-pin PLCC
  - 32-pin TSOP (8 x 20mm)
  - 32-pin, 600-mil plastic DIP
  - 32-pin, hermetic LCC
  - 32-pin, 600-mil hermetic DIP
- **Available in Commercial, Industrial, and Military Temperature Ranges**

### Functional Description

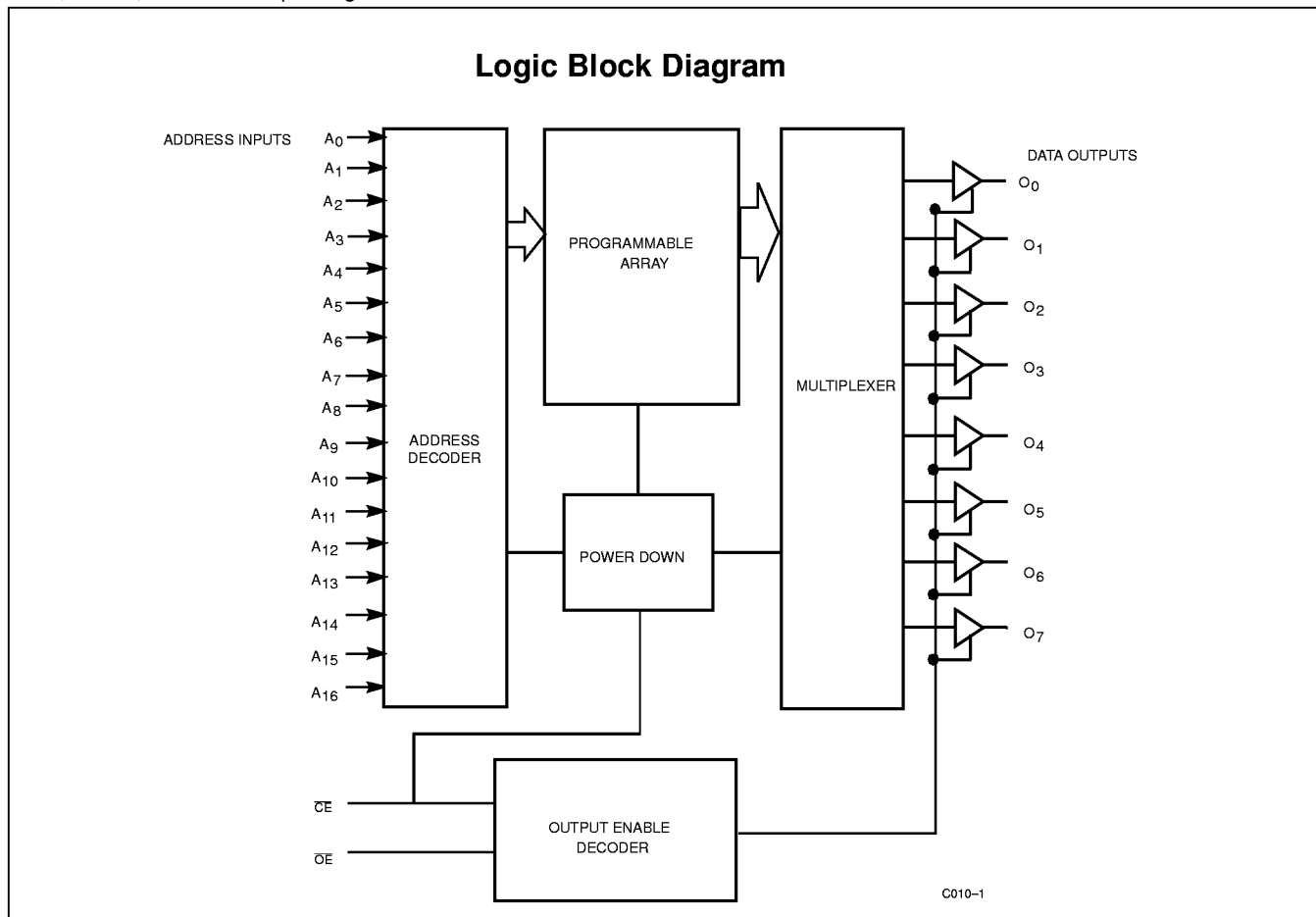
The CY27C010 is a high-performance, 1-Megabit ultraviolet erasable programmable read-only memory (EPROM) organized as 128 Kbytes by 8 bits. It is available in JEDEC-standard, one-time programmable (OTP), 32-pin PDIP, PLCC, and TSOP-I packages. The CY27C010 is also

available in windowed packages (32-pin hermetic DIP and LCC) which allow the device to be erased with UV light for 100% reprogrammability.

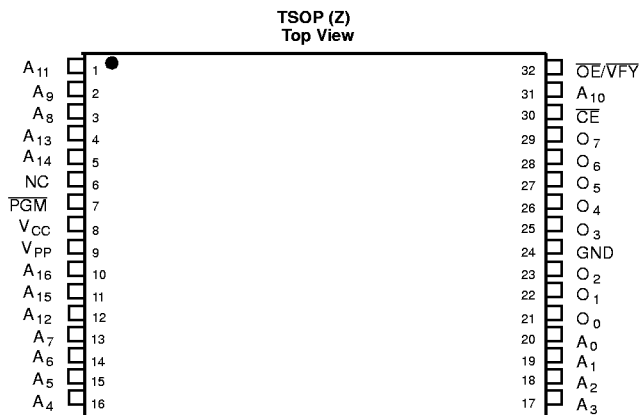
The CY27C010 is equipped with a power-down chip enable ( $\overline{CE}$ ) input and output enable ( $\overline{OE}$ ) to prevent bus contention. When  $\overline{CE}$  is deasserted, the device powers down to a low-power stand-by mode. The  $\overline{OE}$  pin three-states the outputs without putting the device into stand-by mode. While  $\overline{CE}$  offers lower power,  $\overline{OE}$  provides a more rapid transition to and from three-stated outputs.

The memory cells utilize proven EPROM floating-gate technology and byte-wide intelligent programming algorithms. The EPROM cell requires only 12.75V for the supervoltage and low programming current allows for gang programming. The device allows for each memory location to be tested 100%, because each location is written to, erased, and repeatedly exercised prior to encapsulation. Each device is also tested for AC performance to guarantee that the product will meet DC and AC specification limits after customer programming.

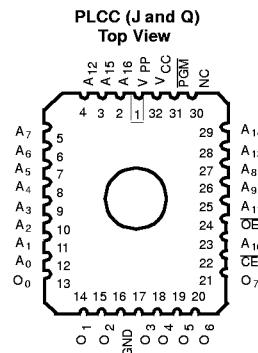
The CY27C010 is read by asserting both the  $\overline{CE}$  and the  $\overline{OE}$  inputs. The contents of the memory location selected by the address on inputs A16-A0 will appear at the outputs O<sub>7</sub>-O<sub>0</sub>.



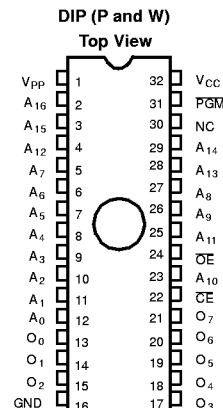
## Pin Configurations



C010-2



C010-3



C010-4

## Selection Guide

		-45	-55	-70	-90	-120	-150	-200
Maximum Access Time (ns)		45	55	70	90	120	150	200
CE Access Time (ns)		45	55	70	90	120	150	200
OE Access Time (ns)		20	20	25	30	35	40	60
I <sub>CC</sub> <sup>[1]</sup> (mA) Power Supply Current	Com'l	50	50	50	50	50	50	50
	Mil	60	60	60	60	60	60	60
I <sub>SB</sub> <sup>[2]</sup> (mA) Stand-by Current	Com'l(Max)	15	15	15	15	15	15	15
	Mil	25	25	25	25	25	25	25

## Maximum Ratings

(Above which the useful life may be impaired. For user guidelines, not tested.)

Storage Temperature ..... -65°C to +150°C

Ambient Temperature with Power Applied ..... -55°C to +125°C

Supply Voltage to Ground Potential ..... -0.5V to +7.0V

DC Voltage Applied to Outputs in High Z State ..... -0.5V to +5.5V

DC Input Voltage ..... -3.0V to +7.0V

Transient Input Voltage ..... -3.0V for <20 ns

DC Program Voltage ..... 13.0 V

UV Erasure ..... 7258 Wsec/cm<sup>2</sup>

Static Discharge Voltage (per MIL-STD-883, Method 3015) ..... >2001V

Latch-Up Current ..... >200 mA

## Operating Range

Range	Ambient Temperature	V <sub>CC</sub>
Commercial	0°C to +70°C	5V ± 10%
Industrial <sup>[3]</sup>	-40°C to +85°C	5V ± 10%
Military <sup>[4]</sup>	-55°C to +125°C	5V ± 10%

### Notes:

- V<sub>CC</sub> = Max., I<sub>OUT</sub> = 0 mA, f = 5 MHz.
- V<sub>CC</sub> = Max., CE = V<sub>IH</sub>.
- Contact a Cypress representative for industrial temperature range specification.
- T<sub>A</sub> is the "instant on" case temperature.

**DC Electrical Characteristics** Over the Operating Range<sup>[5, 6]</sup>

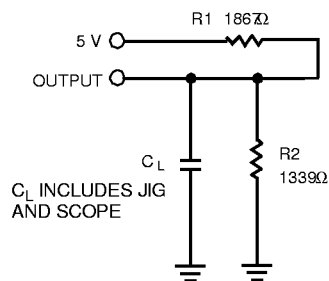
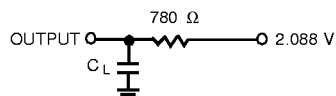
Parameter	Description	Test Conditions	Min.	Max.	Unit
V <sub>OH</sub>	Output HIGH Voltage	V <sub>CC</sub> = Min., I <sub>OH</sub> = -400μA	2.4		V
V <sub>OL</sub>	Output LOW Voltage	V <sub>CC</sub> = Min., I <sub>OL</sub> = 2.1mA		0.45	V
V <sub>IH</sub>	Input HIGH Level	Guaranteed Input Logical HIGH Voltage for All Inputs	2.0	V <sub>CC</sub> +0.5	V
V <sub>IL</sub>	Input LOW Level	Guaranteed Input Logical LOW Voltage for All Inputs		0.8	V
I <sub>LI</sub>	Input Leakage Current	GND ≤ V <sub>IN</sub> ≤ V <sub>CC</sub>	-10	+10	μA
I <sub>LO</sub>	Output Leakage Current	GND ≤ V <sub>OUT</sub> ≤ V <sub>CC</sub> , Output Disable	-10	+10	μA
I <sub>CC</sub>	Power Supply Current	V <sub>CC</sub> =Max., I <sub>OUT</sub> =0 mA, f=5 MHz	Com'l	50	mA
			Mil	60	mA
I <sub>SB</sub>	Stand-By Current	V <sub>CC</sub> =Max., CE = V <sub>IH</sub>	Com'l (max)	15	mA
			Mil	25	mA

**Capacitance**<sup>[7]</sup>

Parameter	Description	Test Conditions	Max	Unit
C <sub>IN</sub>	Input Capacitance	T <sub>A</sub> = 25°C, f = 1 MHz, V <sub>CC</sub> = 5.0V	10	pF
C <sub>OUT</sub>	Output Capacitance		10	pF

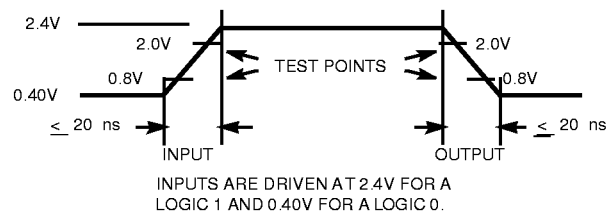
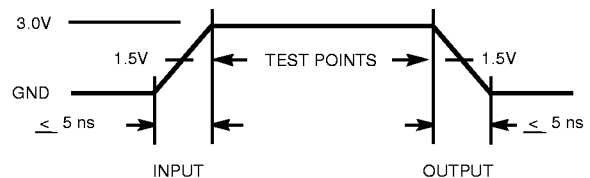
**Notes:**

- See the last page of this specification for Group A subgroup testing information.
- See Introduction to CMOS NVMs in this Data Book for general information on testing.
- This parameter is sampled only and is not 100% tested.

**AC Test Loads and Waveforms**

**THEVENIN EQUIVALENT**


- Notes: C<sub>L</sub> = 30pF for -45 and -55 devices  
 C<sub>L</sub> = 100pF for -70, -90, -120, -150, and -200 devices  
 C<sub>L</sub> = 5pF for t<sub>Df</sub>

C010-5

**For -70, -90, 120, 150, -200 DEVICES ONLY**

**For -45 and -55 DEVICES ONLY**


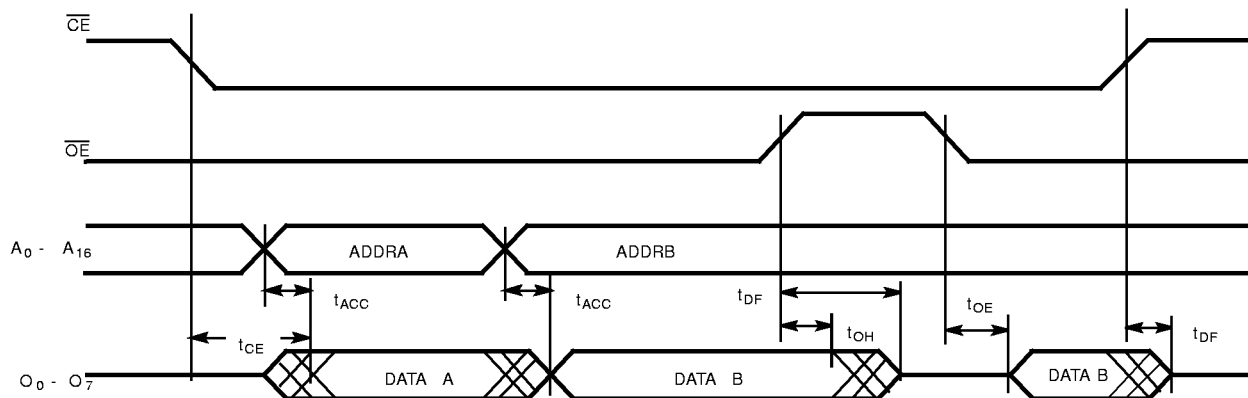
C010-6

**Switching Characteristics** Over the Operating Range

Parameter	Description	-45		-55		-70		-90		-120		-150		-200		Unit
		Min	Max	Min	Max	Min	Max	Min	Max	Min	Max	Min	Max	Min	Max	
$t_{ACC}$	Address to Output Valid		45		55		70		90		120		150		200	ns
$t_{OE}$	$\overline{OE}$ Active to Output Valid		20		20		20		25		25		30		30	ns
$t_{DF}^{[8]}$	$\overline{OE}$ or $\overline{CE}$ Inactive to High Z, whichever occurs first		20		25		25		30		35		40		60	ns
$t_{CE}$	$\overline{CE}$ Active to Output Valid		45		55		70		90		120		150		200	ns
$t_{OH}$	Output Data Hold	0		0		0		0		0		0		0		ns

**Note:**

8. This parameter is sampled only and is not 100% tested.

**Switching Waveform**


C010-7

**Erase Characteristics**

Wavelengths of light less than 4000 Angstroms begin to erase the CY27C010 in the windowed package. For this reason, an opaque label should be placed over the window if the EPROM is exposed to sunlight or fluorescent lighting for extended periods of time.

The recommended dose of ultraviolet light for erasure is a wavelength of 2537 Angstroms for a minimum dose (UV intensity multiplied by exposure time) of 15 Wsec/cm<sup>2</sup>. For an ultraviolet lamp with a 12 mW/cm<sup>2</sup> power rating, the exposure time would be approximately 15 minutes. The CY27C010

needs to be within 1 inch of the lamp during erasure. Permanent damage may result if the EPROM is exposed to high-intensity UV light for an extended period of time. 7258 Wsec/cm<sup>2</sup> is the recommended maximum dosage.

**Programming Modes**

Programming support is available from Cypress as well as from a number of third-party software vendors. For detailed programming information, including a listing of software packages, please see the PROM Programming Information located at the end of this section. Programming algorithms can be obtained from any Cypress representative.

**Table 1. Programming Electrical Characteristics**

Parameter	Description	Min.	Max.	Unit
V <sub>PP</sub>	Programming Power Supply	12.5	13	V
I <sub>PP</sub>	Programming Supply Current		50	mA
V <sub>IHP</sub>	Programming Input Voltage HIGH	3.0	V <sub>CC</sub>	V
V <sub>ILP</sub>	Programming Input Voltage LOW	-0.5	0.4	V
V <sub>CCP</sub>	Programming V <sub>CC</sub>	6.0	6.5	V

**Table 2. Mode Selection**

Mode	Pin Function <sup>[9]</sup>						
	$\overline{CE}$	$\overline{OE}$	PGM	V <sub>PP</sub>	A <sub>0</sub>	A <sub>9</sub>	Outputs
Read	V <sub>IL</sub>	V <sub>IL</sub>	X	X	A <sub>0</sub>	A <sub>9</sub>	Dout
Output Disable	X	V <sub>IH</sub>	X	X	X	X	High Z
Stand-by(TTL)	V <sub>IH</sub>	X	X	X	X	X	High Z
Program	V <sub>ILP</sub>	V <sub>IHP</sub>	V <sub>ILP</sub>	V <sub>PP</sub>	A <sub>0</sub>	A <sub>9</sub>	Din
Program Verify	V <sub>ILP</sub>	V <sub>ILP</sub>	V <sub>IHP</sub>	V <sub>PP</sub>	A <sub>0</sub>	A <sub>9</sub>	Dout
Program Inhibit	V <sub>IHP</sub>	X	X	V <sub>PP</sub>	X	X	High Z
Signature Read (MFG) <sup>[11]</sup>	V <sub>IL</sub>	V <sub>IL</sub>	X	V <sub>IH</sub>	V <sub>IL</sub>	V <sub>HV</sub> [10]	34H
Signature Read (DEV) <sup>[11]</sup>	V <sub>IL</sub>	V <sub>IL</sub>	X	V <sub>IH</sub>	V <sub>IH</sub>	V <sub>HV</sub> [10]	1DH

**Notes:**

9. X can be V<sub>IL</sub> or V<sub>IH</sub>
10. V<sub>HV</sub>=12V±0.5V
11. A<sub>1</sub> - A<sub>8</sub> and A<sub>10</sub> - A<sub>16</sub> = V<sub>IL</sub>

**Ordering Information<sup>[12]</sup>**

Speed (ns)	Ordering Code	Package Name	Package Type	Operating Range
45	CY27C010-45JC	J65	32-Lead Plastic Leaded Chip Carrier	Commercial
	CY27C010-45PC	P15	32-Lead (600-Mil) Molded DIP	
	CY27C010-45WC	W20	32-Lead (600-Mil) Windowed CerDIP	
	CY27C010-45ZC	Z32	32-Lead Thin Small Outline Package	
	CY27C010-45QMB	Q55	32-Pin Windowed Rectangular Leadless Chip Carrier	Military
	CY27C010-45WMB	W20	32-Lead (600-Mil) Windowed CerDIP	
55	CY27C010-55JC	J65	32-Lead Plastic Leaded Chip Carrier	Commercial
	CY27C010-55PC	P15	32-Lead (600-Mil) Molded DIP	
	CY27C010-55WC	W20	32-Lead (600-Mil) Windowed CerDIP	
	CY27C010-55ZC	Z32	32-Lead Thin Small Outline Package	
	CY27C010-55QMB	Q55	32-Pin Windowed Rectangular Leadless Chip Carrier	Military
	CY27C010-55WMB	W20	32-Lead (600-Mil) Windowed CerDIP	
70	CY27C010-70JC	J65	32-Lead Plastic Leaded Chip Carrier	Commercial
	CY27C010-70PC	P15	32-Lead (600-Mil) Molded DIP	
	CY27C010-70WC	W20	32-Lead (600-Mil) Windowed CerDIP	
	CY27C010-70ZC	Z32	32-Lead Thin Small Outline Package	
	CY27C010-70QMB	Q55	32-Pin Windowed Rectangular Leadless Chip Carrier	Military
	CY27C010-70WMB	W20	32-Lead (600-Mil) Windowed CerDIP	
90	CY27C010-90JC	J65	32-Lead Plastic Leaded Chip Carrier	Commercial
	CY27C010-90PC	P19	32-Lead (600-Mil) Molded DIP	
	CY27C010-90WC	W20	32-Lead (600-Mil) Windowed CerDIP	
	CY27C010-90ZC	Z32	32-Lead Thin Small Outline Package	
	CY27C010-90QMB	Q55	32-Pin Windowed Rectangular Leadless Chip Carrier	Military
	CY27C010-90WMB	W20	32-Lead (600-Mil) Windowed CerDIP	
120	CY27C010-120JC	J65	32-Lead Plastic Leaded Chip Carrier	Commercial
	CY27C010-120PC	P19	32-Lead (600-Mil) Molded DIP	
	CY27C010-120WC	W20	32-Lead (600-Mil) Windowed CerDIP	
	CY27C010-120ZC	Z32	32-Lead Thin Small Outline Package	
	CY27C010-120QMB	Q55	32-Pin Windowed Rectangular Leadless Chip Carrier	Military
	CY27C010-120WMB	W20	32-Lead (600-Mil) Windowed CerDIP	

**Ordering Information<sup>[12]</sup> (continued)**

Speed (ns)	Ordering Code	Package Name	Package Type	Operating Range
150	CY27C010-150JC	J65	32-Lead Plastic Leaded Chip Carrier	Commercial
	CY27C010-150PC	P19	32-Lead (600-Mil) Molded DIP	
	CY27C010-150WC	W20	32-Lead (600-Mil) Windowed CerDIP	
	CY27C010-150ZC	Z32	32-Lead Thin Small Outline Package	
	CY27C010-150QMB	Q55	32-Pin Windowed Rectangular Leadless Chip Carrier	Military
	CY27C010-150WMB	W20	32-Lead (600-Mil) Windowed CerDIP	
200	CY27C010-200JC	J65	32-Lead Plastic Leaded Chip Carrier	Commercial
	CY27C010-200PC	P19	32-Lead (600-Mil) Molded DIP	
	CY27C010-200WC	W20	32-Lead (600-Mil) Windowed CerDIP	
	CY27C010-200ZC	Z32	32-Lead Thin Small Outline Package	
	CY27C010-200QMB	Q55	32-Pin Windowed Rectangular Leadless Chip Carrier	Military
	CY27C010-200WMB	W20	32-Lead (600-Mil) Windowed CerDIP	

**Note:**

12. Contact a Cypress sales representative for industrial temperature offerings.

**MILITARY SPECIFICATIONS  
Group A Subgroup Testing**
**DC Characteristics**

Parameter	Subgroups
V <sub>OH</sub>	1, 2, 3
V <sub>OL</sub>	1, 2, 3
V <sub>IH</sub>	1, 2, 3
V <sub>IL</sub>	1, 2, 3
I <sub>LI</sub>	1, 2, 3
I <sub>LO</sub>	1, 2, 3
I <sub>CC</sub>	1, 2, 3
I <sub>SB</sub>	1, 2, 3

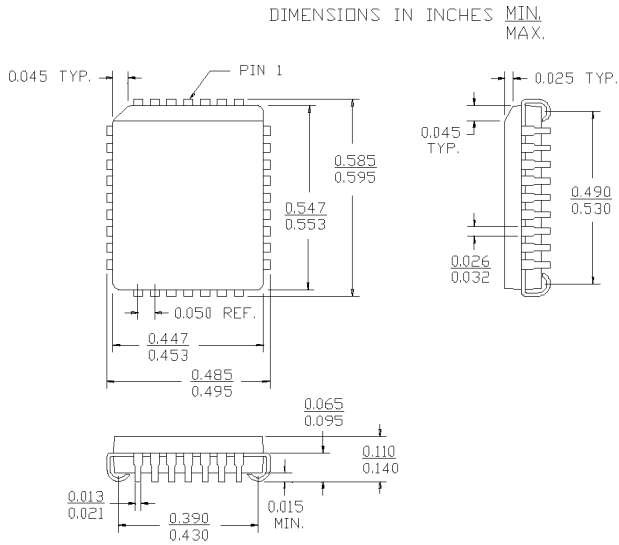
**Switching Characteristics**

Parameter	Subgroups
t <sub>ACC</sub>	7, 8, 9, 10, 11
t <sub>OE</sub>	7, 8, 9, 10, 11
t <sub>CE</sub>	7, 8, 9, 10, 11

Document #: 38-00428-A

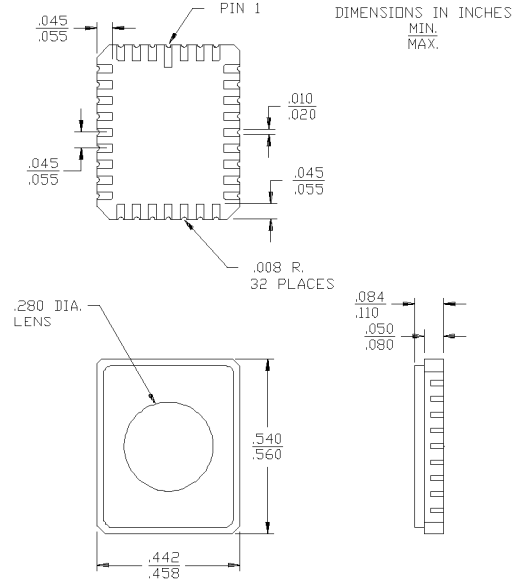
Package Diagrams

32-Lead Pastic Leded Chip Carrier J65

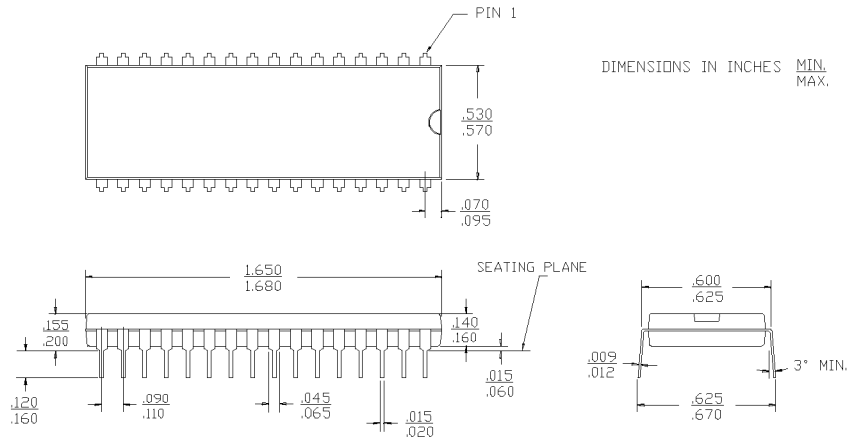


32-Pin Windowed Rectangular Leadless Chjip Carrier Q55

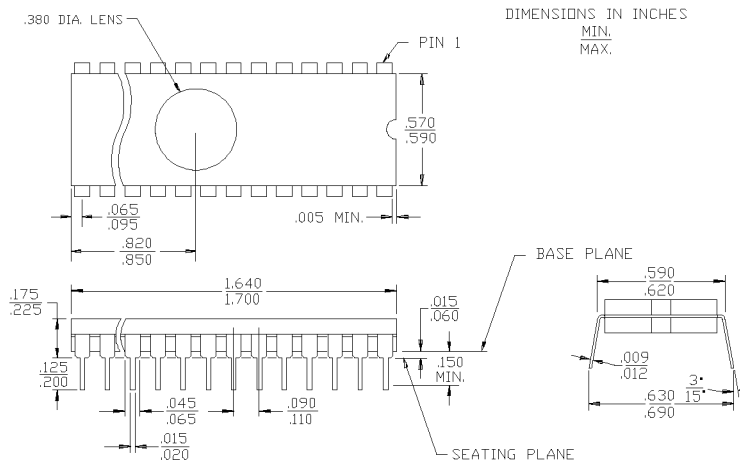
MIL-STD-1835 C-12



32-Lead (600-Mil) Molded DIP P19





**Package Diagrams (continued)**
**32-Lead (600-Mil) Windowed CerDIP W20**

**32-Lead Thin Small Outline Package Z32**
