

**2.4GHz to 2.5GHz Linear Power Amplifier****General Description**

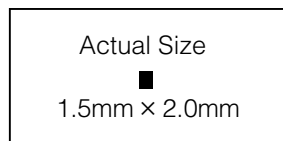
The MAX2242 low-voltage linear power amplifier (PA) is designed for 2.4GHz ISM-band wireless LAN applications. It delivers +22.5dBm of linear output power with an adjacent-channel power ratio (ACPR) of <-33dBc 1st-side lobe and <-55dBc 2nd-side lobe, compliant with the IEEE 802.11b 11MB/s WLAN standard with at least 3dB margin. The PA is packaged in the tiny 3x4 chip-scale package (UCSP™), measuring only 1.5mm x 2.0mm, ideal for radios built in small PC card and compact flash card form factors.

The MAX2242 PA consists of a three-stage PA, power detector, and power management circuitry. The power detector provides over 20dB of dynamic range with  $\pm 0.8$ dB accuracy at the highest output power level. An accurate automatic level control (ALC) function can be easily implemented using this detector circuit.

The PA also features an external bias control pin. Through the use of an external DAC, the current can be throttled back at lower output power levels while maintaining sufficient ACPR performance. As a result, the highest possible efficiency is maintained at all power levels. The device operates over a single +2.7V to +3.6V power-supply range. An on-chip shutdown feature reduces operating current to 0.5 $\mu$ A, eliminating the need for an external supply switch.

**Applications**

IEEE 802.11b DSSS Radios  
Wireless LANs  
HomeRF  
2.4GHz Cordless Phones  
2.4GHz ISM Radios



Typical Application Circuit appears at end of data sheet.

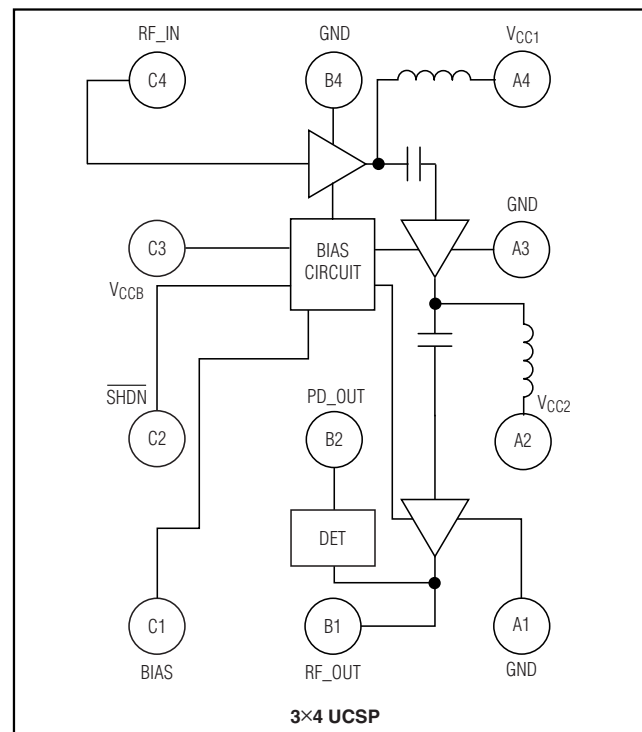
UCSP is a trademark of Maxim Integrated Products, Inc.

**Features**

- ◆ 2.4GHz to 2.5GHz Operating Range
- ◆ +22.5dBm Linear Output Power (ACPR of <-33dBc 1st-Side Lobe and <-55dBc 2nd-Side Lobe)
- ◆ 28.5dB Power Gain
- ◆ On-Chip Power Detector
- ◆ External Bias Control for Current Throttleback
- ◆ +2.7V to +3.6V Single-Supply Operation
- ◆ 0.5 $\mu$ A Shutdown Mode
- ◆ Tiny Chip-Scale Package (1.5mm x 2.0mm)

**Ordering Information**

PART	TEMP RANGE	PIN-PACKAGE	TOP MARK
MAX2242EBC-T	-40°C to +85°C	3 x 4 UCSP	AAE

**Pin Configuration**

# 2.4GHz to 2.5GHz Linear Power Amplifier

## ABSOLUTE MAXIMUM RATINGS

V<sub>CC1</sub>, V<sub>CC2</sub> to GND (no RF signal applied) .....-0.3V to +5.5V  
 RF Input Power .....+10dBm  
 $\overline{\text{SHDN}}$ , BIAS, PD\_OUT, RF\_OUT .....-0.3V to (V<sub>CC</sub> + 0.3V)  
 DC Input Current at RF\_IN Port.....-1mA to +1mA  
 Maximum VSWR Without Damage .....10:1  
 Maximum VSWR for Stable Operation.....5:1  
 Continuous Power Dissipation (T<sub>A</sub> = +85°C)  
 3x4 UCSP (derate 80mW/°C above +85°C) .....1.6W

Operating Temperature Range .....-40°C to +85°C  
 Thermal Resistance .....25°C/W  
 Junction Temperature .....+150°C  
 Storage Temperature Range .....-65°C to +125°C  
 Lead Temperature (soldering, 10s) .....+260°C  
 Continuous Operating Lifetime.....10yrs × 0.92<sup>(T<sub>A</sub> - 60°C)</sup>  
 (For Operating Temperature, T<sub>A</sub> ≥ +60°C)

Stresses beyond those listed under "Absolute Maximum Ratings" may cause permanent damage to the device. These are stress ratings only, and functional operation of the device at these or any other conditions beyond those indicated in the operational sections of the specifications is not implied. Exposure to absolute maximum rating conditions for extended periods may affect device reliability.



**CAUTION!** ESD SENSITIVE DEVICE

## DC ELECTRICAL CHARACTERISTICS

(V<sub>CC</sub> = +2.7V to +3.6V, f<sub>IN</sub> = 2.4GHz to 2.5GHz, V<sub>SHDN</sub> = V<sub>CC</sub>, RF\_IN = RF\_OUT = connected to 50Ω load, T<sub>A</sub> = -40°C to +85°C. Typical values are measured at V<sub>CC</sub> = +3.3V, f<sub>IN</sub> = 2.45GHz, T<sub>A</sub> = +25°C, unless otherwise noted.) (Note 1)

PARAMETER	CONDITIONS	MIN	TYP	MAX	UNITS
Supply Voltage		2.7		3.6	V
Supply Current (Notes 2, 3, 6)	P <sub>OUT</sub> = +22dBm, V <sub>CC</sub> = +3.3V, idle current = 280mA		300	335	mA
	P <sub>OUT</sub> = +13dBm, idle current = 55mA		90		
	P <sub>OUT</sub> = +5dBm, idle current = 25mA		50		
Shutdown Supply Current	V <sub>SHDN</sub> = 0, no RF input		0.5	10	μA
Logic Input Voltage High		2.0			V
Logic Input Voltage Low				0.8	V
Logic Input Current High		-1		5	μA
Logic Input Current Low		-1		1	μA

# 2.4GHz to 2.5GHz Linear Power Amplifier

MAX2242

## AC ELECTRICAL CHARACTERISTICS

(MAX2242 Evaluation Kit,  $V_{CC} = +3.3V$ ,  $\overline{SHDN} = V_{CC}$ ,  $50\Omega$  source and load impedance,  $f_{IN} = 2.45GHz$ ,  $T_A = +25^\circ C$ , unless otherwise noted.) (Note 6)

PARAMETER	CONDITIONS	MIN	TYP	MAX	UNITS
Frequency Range (Notes 3, 4)		2.4		2.5	GHz
Power Gain (Notes 1, 3)	$T_A = +25^\circ C$	26.5	28.5		dB
	$T_A = -40^\circ C$ to $+85^\circ C$	25.5			
Gain Variation Over Temperature (Note 3)	$T_A = -40^\circ C$ to $+85^\circ C$		$\pm 1.2$		dB
Gain Variation Over $V_{CC}$ ( $\pm 10\%$ ) (Note 3)	$V_{CC} = +3.0V$ to $+3.6V$		$\pm 0.3$		dB
Output Power (Notes 3, 5, 8)	ACPR, 1st-side lobe $< -33dBc$ , 2nd-side lobe $< -55dBc$	21.5	22.5		dBm
Saturated Output Power	$P_{IN} = +5dBm$		26.5		dBm
Harmonic Output (2f, 3f, 4f)			-40		dBc
Input VSWR	Over full $P_{IN}$ range		1.5:1		
Output VSWR	Over full $P_{OUT}$ range		2.5:1		
Power Ramp Turn-On Time (Note 7)	$\overline{SHDN}$ from low to high		1	1.5	$\mu s$
Power Ramp Turn-Off Time (Note 7)	$\overline{SHDN}$ from high to low		1	1.5	$\mu s$
RF Output Detector Response Time			2.5	5	$\mu s$
RF Output Detector Voltage	$P_O = +22dBm$ (Note 9)		1.8		V
	$P_O = +13dBm$ (Note 9)		0.9		
	$P_O = +5dBm$ (Note 9)		0.55		

**Note 1:** Specifications over  $T_A = -40^\circ C$  to  $+85^\circ C$  are guaranteed by design. Production tests are performed at  $T_A = +25^\circ C$ .

**Note 2:** Idle current is controlled by external DAC for best efficiency over the entire output power range.

**Note 3:** Parameter measured with RF modulation based on IEEE 802.11b standard.

**Note 4:** Power gain is guaranteed over this frequency range. Operation outside this range is possible, but is not guaranteed.

**Note 5:** Output two-tone third-order intercept point (OIP3) is production tested at  $T_A = +25^\circ C$ . The OIP3 is tested with two signals at  $f_1 = 2.450GHz$  and  $f_2 = 2.451GHz$  with fixed  $P_{IN}$ .

**Note 6:** Min/max limits are guaranteed by design and characterization.

**Note 7:** The total turn-on and turn-off times required for PA output power to settle to within 0.5dB of the final value.

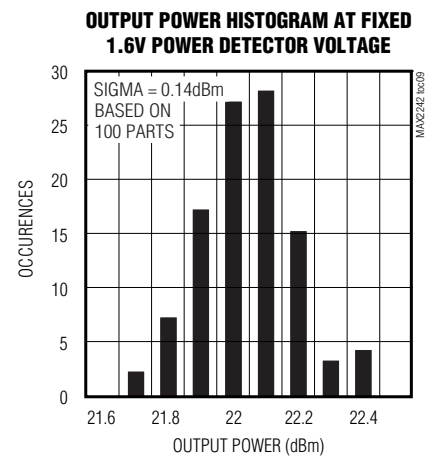
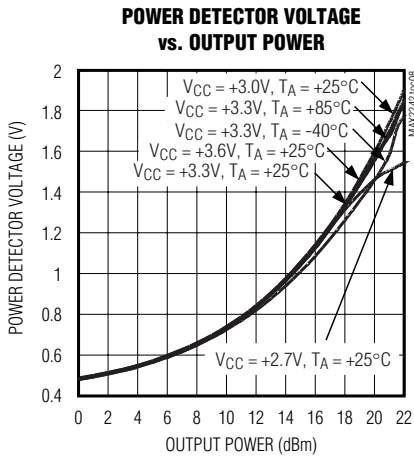
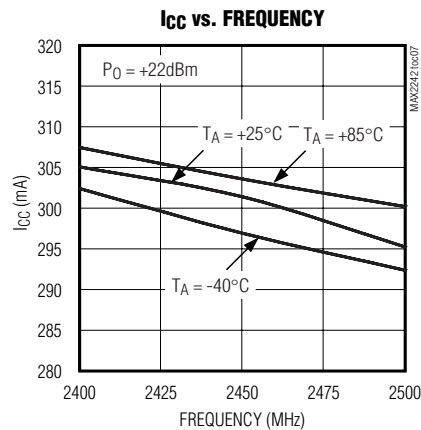
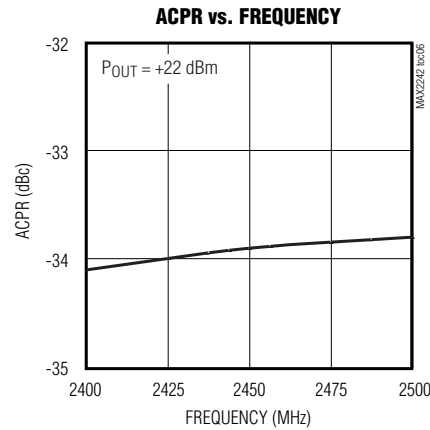
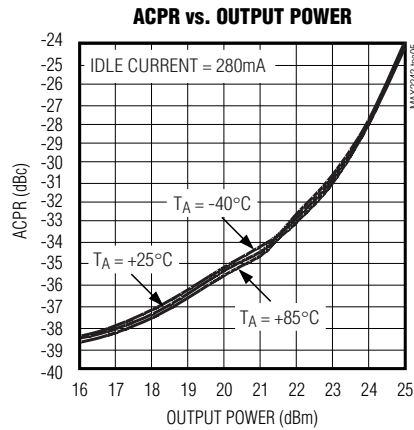
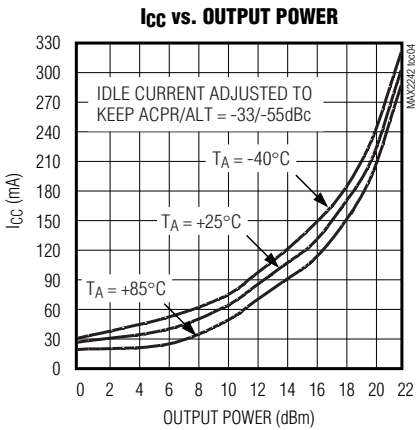
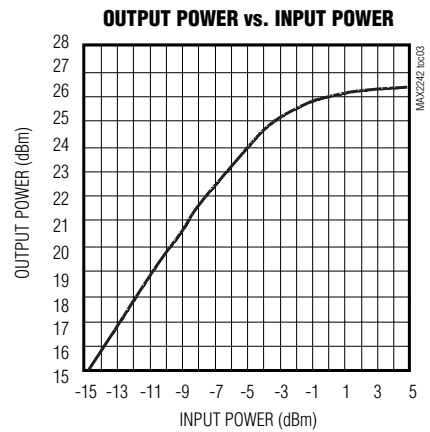
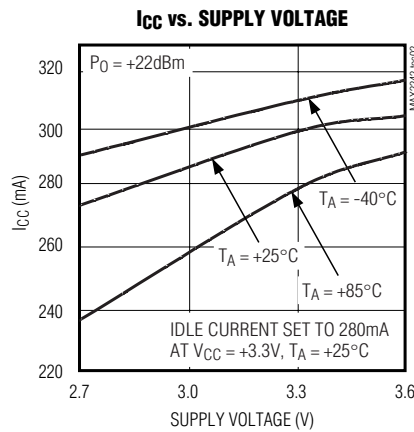
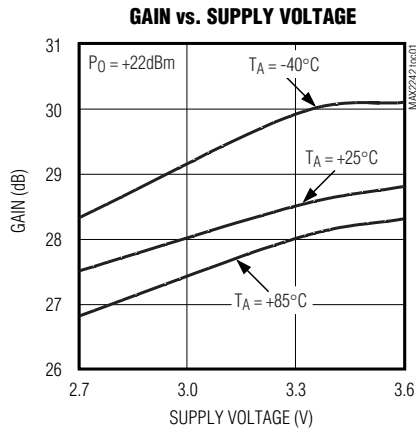
**Note 8:** Excludes PC board loss of approximately 0.15dB.

**Note 9:** See *Typical Operating Characteristics* for statistical variation.

# 2.4GHz to 2.5GHz Linear Power Amplifier

## Typical Operating Characteristics

( $V_{CC} = +3.3V$ ,  $f_{IN} = 2.45MHz$ , RF modulation = IEEE 802.11b,  $V_{\overline{SHDN}} = V_{CC}$ ,  $T_A = +25^\circ C$ , unless otherwise noted.)

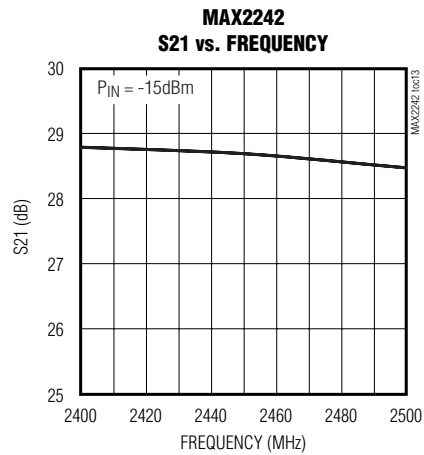
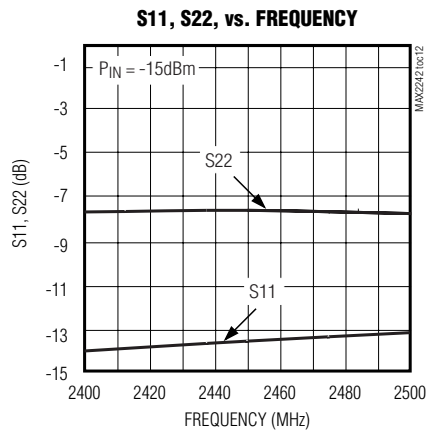
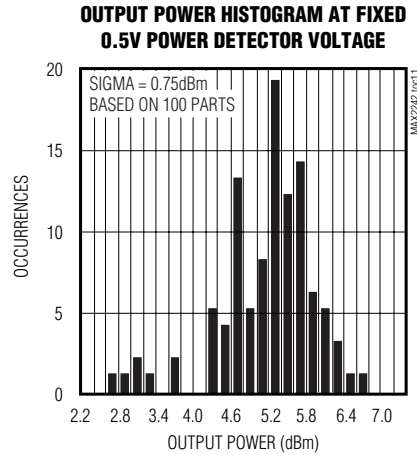
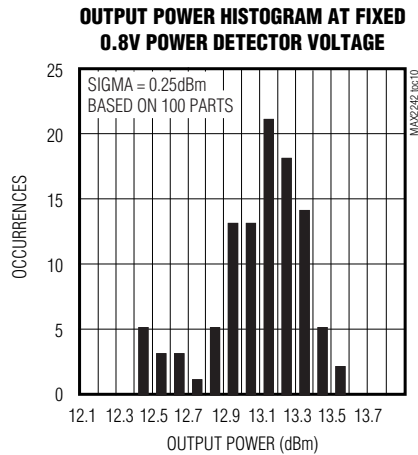


# p2.4GHz to 2.5GHz Linear Power Amplifier

**MAX2242**

## Typical Operating Characteristics (continued)

( $V_{CC} = +3.3V$ ,  $f_{IN} = 2.45MHz$ , RF modulation = IEEE 802.11b,  $V_{SHDN} = V_{CC}$ ,  $T_A = +25^\circ C$ , unless otherwise noted.)



## 2.4GHz to 2.5GHz Linear Power Amplifier

### Pin Description

PIN	NAME	FUNCTION
A1	GND	3rd Stage Ground. Refer to <i>Application Information</i> section for detailed PC-board layout information.
A2	VCC2	2nd Stage Supply Voltage. Bypass to ground using configuration in the typical operating circuit.
A3	GND	3rd Stage Ground. Refer to <i>Application Information</i> section for detailed PC-board layout information.
A4	VCC1	1st Stage Supply Voltage. Bypass to ground using configuration in the typical operating circuit.
B1	RF_OUT	RF Output. Requires external matching.
B2	PD_OUT	Power Detector Output. This output is a DC voltage indicating the PA output power. Connect a 47kΩ resistor to GND.
B4	GND	1st Stage and Bias Control Circuit Ground
C1	BIAS	Bias Control. Connect one 8kΩ resistor from BIAS to GND and one 8kΩ resistor from BIAS to DAC block to set the idle current.
C2	$\overline{\text{SHDN}}$	Shutdown Input. Drive logic low to place the device in shutdown mode. Drive logic high for normal operation.
C3	VCCB	Bias Circuit DC Supply Voltage. Bypass to ground using configuration in the typical operating circuit.
C4	RF_IN	RF Input. Requires external matching.

### Detailed Description

The MAX2242 is a linear PA intended for 2.4GHz ISM-band wireless LAN applications. The PA is fully characterized in the 2.4GHz to 2.5GHz ISM band. The PA consists of two driver stages and an output stage. The MAX2242 also features an integrated power detector and power shutdown control mode.

### Dynamic Power Control

The MAX2242 is designed to provide optimum power-added efficiency (PAE) in both high and low power applications. For a +3.3V supply at high output power level, the output power is typically +22.5dBm with an idle current of 280mA. At low output-power levels, the DC current can be reduced by an external DAC to increase PAE while still maintaining sufficient ACPR performance. This is achieved by using external resistors connected to the BIAS pin to set the bias currents of the driver and output stages. The resistors are typically 8kΩ. Typically, a DAC voltage of 1.0V will give a 280mA bias current. Increasing the DAC voltage will decrease the idle current. Similarly, decreasing the DAC voltage will increase the idle current.

The BIAS pin is maintained at a constant voltage of 1.0V, allowing the user to set the desired idle current using only two off-chip 1% resistors: a shunt resistor, R2, from BIAS to ground; and a series resistor, R1, to

the DAC voltage, as shown in the *Typical Application Circuit*. Resistor values R1 and R2 are determined as follows:

$$V_{\text{MAX}} = 1.0 + (1.0 \times R1) / R2; \quad (1)$$

(ICC = 0, VDAC = VMAX)

$$I_{\text{MAX}} = (1.0 \times 1867) \times (R1 + R2) / (R1 \times R2); \quad (2)$$

(ICC = I<sub>MAX</sub> = max value, VDAC = 0)

$$I_{\text{DAC}} = (V_{\text{DAC}} - 1.0) / R1 \quad (3)$$

$$I_{\text{MID}} = (1.0 \times 1867) / R2; \quad (4)$$

(VDAC = 1.0V or floating)

$$I_{\text{CC}} = 1867 \times I_{\text{BIAS}} \quad (5)$$

where

V<sub>MAX</sub> = is the maximum DAC voltage

I<sub>MAX</sub> = is the maximum idle current

I<sub>MID</sub> = is the idle current with V<sub>DAC</sub> = 1.0V or not connected

V<sub>DAC</sub> = is the DAC voltage

I<sub>DAC</sub> = is the DAC current

If no DAC is used and a constant idle current is desired, use equation 4 to determine the resistor values for a given total bias current. Only R2 is required.

## 2.4GHz to 2.5GHz Linear Power Amplifier

For a DAC capable of both sourcing and sinking currents, the full voltage range of the DAC (typically from 0 to +3V) can be used. By substituting the desired values of  $V_{MAX}$  and  $I_{MAX}$  into equations 1 and 2, R1 and R2 can be easily calculated.

For a DAC capable of sourcing current only, use equation 4 to determine the value of resistor R2 for the desired maximum current. Use equation 1 to determine the value of resistor R1 for the desired minimum current.

For a DAC capable of sinking current only, set resistors R1 and R2 to 0 and connect the DAC directly to the BIAS pin. Use equation 5 to determine the DAC current required for a given  $I_{CC}$ .

### Shutdown Mode

Apply logic low to  $\overline{SHDN}$  (pin C2) to place the MAX2242 into shutdown mode. In this mode, all gain stages are disabled and supply current typically drops to 0.5 $\mu$ A. Note that the shutdown current is lowest when  $V_{\overline{SHDN}} = 0$ .

### Power Detector

The power detector generates a voltage proportional to the output power by monitoring the output power using an internal coupler. It is fully temperature compensated and allows the user to set the bandwidth with an external capacitor. For maximum bandwidth, connect a 47k $\Omega$  resistor from PD\_OUT to GND and do not use any external capacitor.

## Applications Information

### Interstage Matching and Bypassing

$V_{CC1}$  and  $V_{CC2}$  provide bias to the first and second stage amplifiers, and are also part of the interstage matching networks required to optimize performance between the three amplifier stages. See the *Typical Application Circuit* for the lumped and discrete component values used on the MAX2242 EV kit for optimum interstage matching and RF bypassing. In addition to RF bypass capacitors on each bias line, a global bypass capacitor of 22 $\mu$ F is necessary to filter any noise on the supply line. Route separate  $V_{CC}$  bias paths from the global bypass capacitor (star topology) to avoid coupling between PA stages. Use the MAX2242 EV kit PC board layout as a guide.

### External Matching

The RFIN port requires a matching network. The RFIN port impedance is 16-j30 at 2.45GHz. See the *Typical Application Circuit* for recommended component values.

The RFOUT port is an open-collector output that must be pulled to  $V_{CC}$  through a 10nH RF choke for proper biasing. A shunt 33pF capacitor to ground is required at the supply side of the inductor. In addition, a matching network is required for optimum gain, efficiency, ACPR, and output power. The load impedance seen at the RFOUT port of the MAX2242 on the EV kit is approximately  $8 + j5\Omega$ . This should serve as a good starting point for your layout. However, optimum performance is layout dependent and some component optimization may be required. See the *Typical Application Circuit* for the lumped and discrete component values used on the MAX2242 EV kit to achieve this impedance.

### Ground Vias

Placement and type of ground vias are important to achieve optimum gain and output power and ACPR performance. Each ground pin requires its own through-hole via (via diameter = 10mils) placed as near to the device pin as possible to reduce ground inductance and feedback between stages. Use the MAX2242 EV kit PC board layout as a guide.

### Layout and Thermal Management Issues

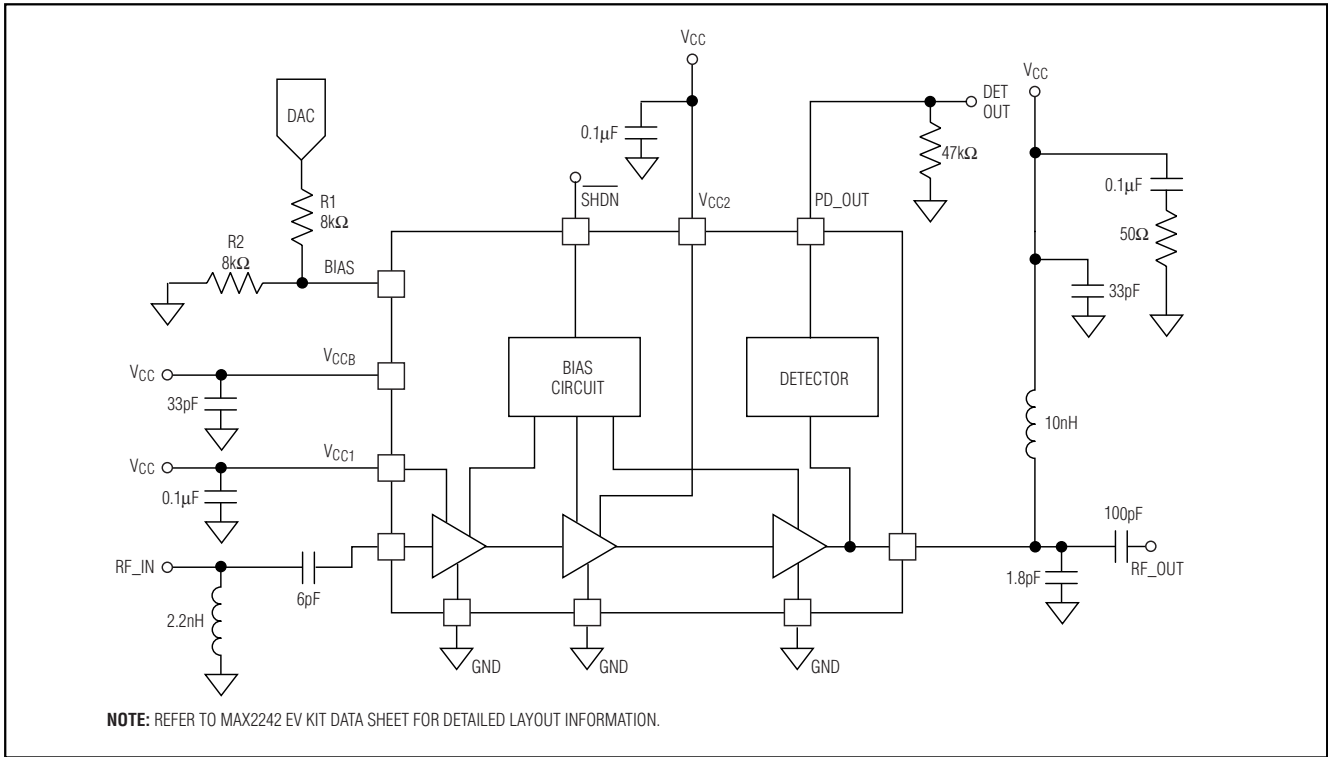
The MAX2242 EV kit serves as a layout guide. Use controlled-impedance lines on all high-frequency inputs and outputs. The GND pins also serve as heat sinks. Connect all GND pins directly to the topside RF ground. On boards where the ground plane is not on the component side, connect all GND pins to the ground plane with plated multiple throughholes close to the package. PC board traces connecting the GND pins also serve as heat sinks. Make sure that the traces are sufficiently wide.

### UCSP Reliability

UCSP represents a unique packaging form factor that may not perform equally to a packaged product through traditional mechanical reliability tests. UCSP reliability is integrally linked to the user's assembly methods, circuit-board material, and usage environment. The user should closely review these areas when considering use of a UCSP. Performance through the operating-life test and moisture resistance remains uncompromised as it is primarily determined by the wafer-fabrication process. Mechanical stress performance is a greater consideration for a UCSP. UCSPs are attached through direct solder contact to the user's PC board, foregoing the inherent stress relief of a packaged-product lead frame. Solder joint contact integrity must be considered. Testing done to characterize the

# 2.4GHz to 2.5GHz Linear Power Amplifier

## Typical Application Circuit

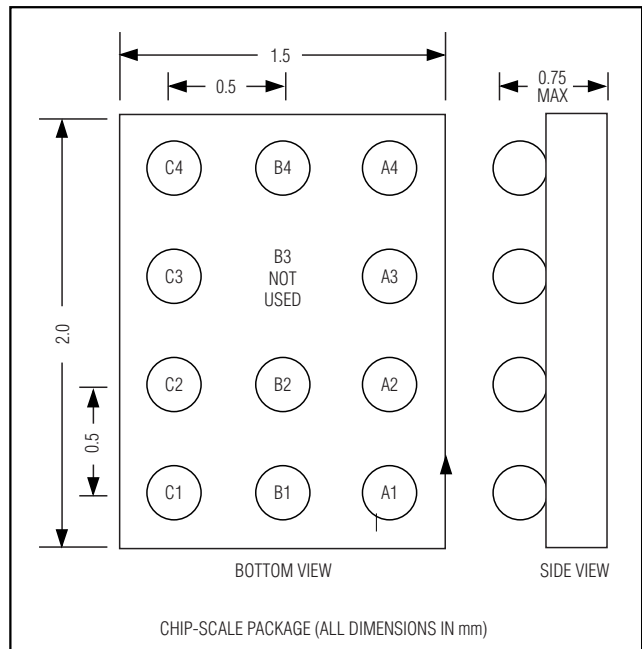


UCSP reliability performance shows that it is capable of performing reliably through environmental stresses. Users should also be aware that as with any interconnect system there are electromigration-based current limits that, in this case, apply to the maximum allowable current in the bumps. Reliability is a function of this current, the duty cycle, lifetime, and bump temperature. See the *Absolute Maximum Ratings* section for any specific limitations listed under Continuous Operating Lifetime. Results of environmental stress tests and additional usage data and recommendations are detailed in the UCSP application note, which can be found on Maxim's website at [www.maxim-ic.com](http://www.maxim-ic.com).

### Chip Information

TRANSISTOR COUNT: 486

## Package Diagram

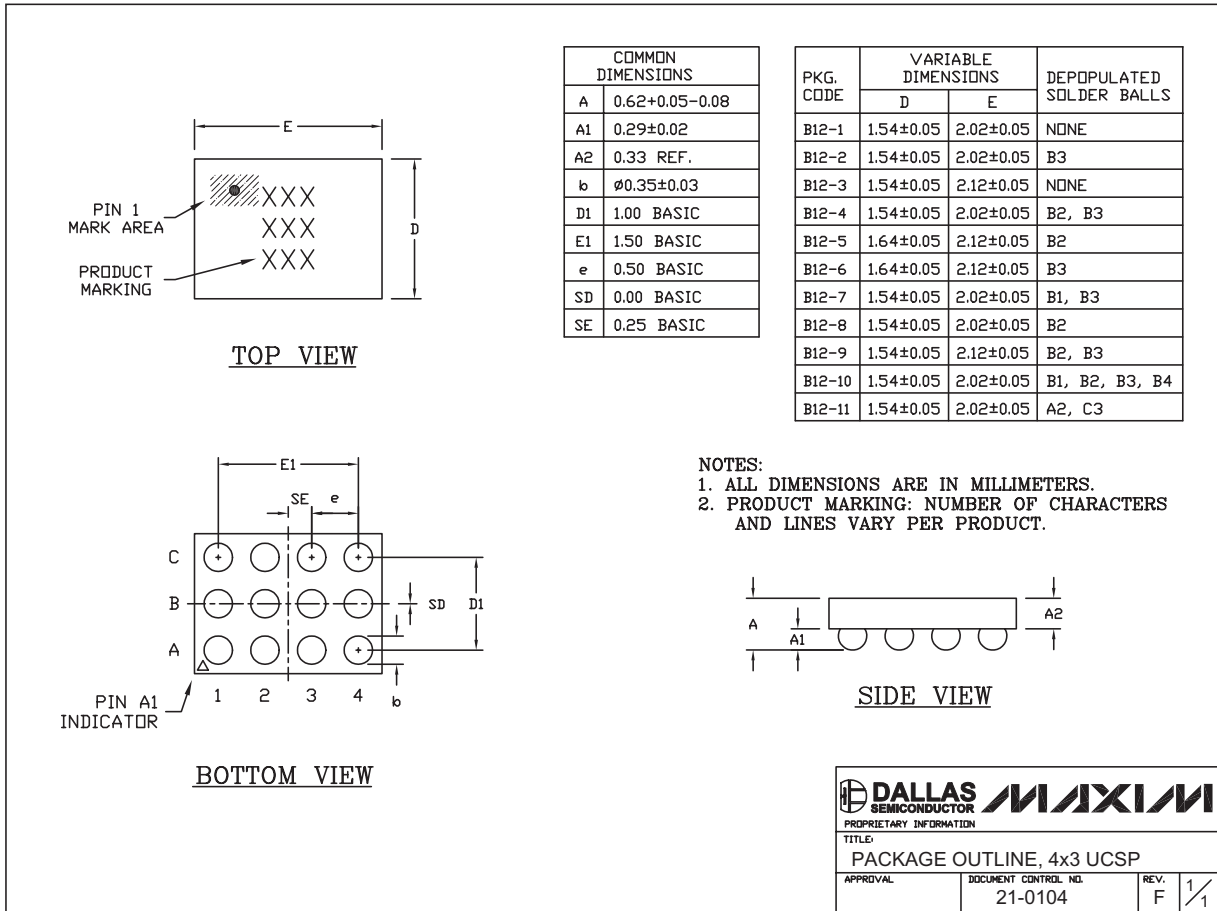




# 2.4GHz to 2.5GHz Linear Power Amplifier

## Package Information

(The package drawing(s) in this data sheet may not reflect the most current specifications. For the latest package outline information go to [www.maxim-ic.com/packages](http://www.maxim-ic.com/packages).)



12L UCSP 4x3 EFS

**Note:** MAX2242 does not use bump B3.

<small>PROPRIETARY INFORMATION</small>			
TITLE PACKAGE OUTLINE, 4x3 UCSP			
APPROVAL	DOCUMENT CONTROL NO. 21-0104	REV. F	1/1

Maxim cannot assume responsibility for use of any circuitry other than circuitry entirely embodied in a Maxim product. No circuit patent licenses are implied. Maxim reserves the right to change the circuitry and specifications without notice at any time.

**Maxim Integrated Products, 120 San Gabriel Drive, Sunnyvale, CA 94086 408-737-7600** \_\_\_\_\_ **9**

## MAX2242

### Part Number Table

Notes:

1. See the [MAX2242 QuickView Data Sheet](#) for further information on this product family or download the [MAX2242 full data sheet](#) (PDF, 200kB).
2. Other options and links for purchasing parts are listed at: <http://www.maxim-ic.com/sales>.
3. [Didn't Find What You Need?](#) Ask our applications engineers. Expert assistance in finding parts, usually within one business day.
4. Part number suffixes: T or T&R = tape and reel; + = RoHS/lead-free; # = RoHS/lead-exempt. More: See [full data sheet](#) or [Part Naming Conventions](#).
5. \* Some packages have variations, listed on the drawing. "PkgCode/Variation" tells which variation the product uses.

Part Number	Free Sample	Buy Direct	Package: TYPE PINS SIZE DRAWING CODE/VAR *	Temp	RoHS/Lead-Free? Materials Analysis
MAX2242EBC+TW			UCSP;11 pin; Dwg: <a href="#">21-0104F</a> (PDF) Use pkgcode/variation: B12+2*	0C to +70C	RoHS/Lead-Free: <a href="#">Yes</a> <a href="#">Materials Analysis</a>
MAX2242EBC+				0C to +70C	RoHS/Lead-Free: <a href="#">Yes</a>
MAX2242EBC			UCSP;11 pin; Dwg: <a href="#">21-0104F</a> (PDF) Use pkgcode/variation: B12-2*	0C to +70C	RoHS/Lead-Free: <a href="#">No</a> <a href="#">Materials Analysis</a>

MAX2242EBC-T

UCSP;11 pin;  
Dwg: [21-0104F](#) (PDF)  
Use pkgcode/variation: B12-2\*

0C to +70C RoHS/Lead-Free: [No](#)  
[Materials Analysis](#)

MAX2242EBC-T10

UCSP;11 pin;  
Dwg: [21-0104F](#) (PDF)  
Use pkgcode/variation: B12-2\*

0C to +70C RoHS/Lead-Free: [No](#)  
[Materials Analysis](#)

MAX2242EBC+T

0C to +70C RoHS/Lead-Free: [Yes](#)

[Didn't Find What You Need?](#)

[CONTACT US: SEND US AN EMAIL](#)

Copyright 2007 by Maxim Integrated Products, Dallas Semiconductor • [Legal Notices](#) • [Privacy Policy](#)