

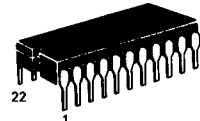
TTL 256 x 4-Bit Random Access Memory

The 93422 Series are 1024-bit Read/Write RAMs, organized 256 words by 4 bits, designed for high performance main memory and control storage applications.

They have full decoding on-chip, separate data input and data output lines, an active low-output enable, write enable, and two chip selects, one active high, one active low. These memories are fully compatible with standard TTL logic families. A three-state output is provided to drive bus-organized systems and/or highly capacitive loads.

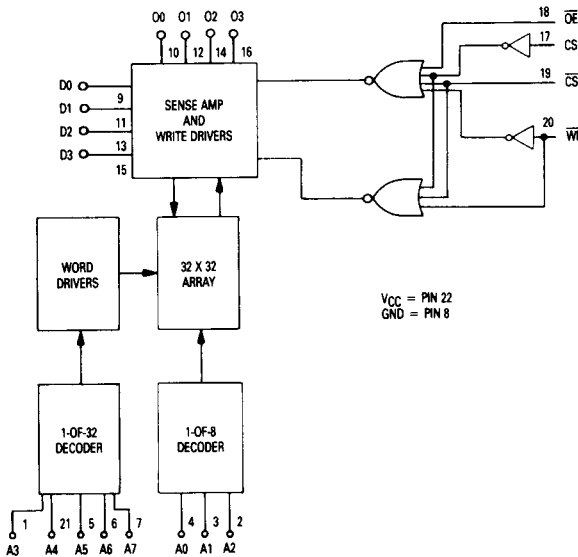
- Three-State Outputs
- Non-Inverting Data Outputs
- Power Dissipation — 0.26 mW/Bit Typical
- Standard 22-Pin, 400 Mil Wide Package
- Power Dissipation Decreases with Increasing Temperature
- Organized 256 Words x 4 Bits
- Two Chip Select Lines for Memory Expansion
- Address Access Time: 93422 — 60 ns Max
 93L422A — 55 ns Max
 93L422 — 75 ns Max

Military 93422
93L422,A

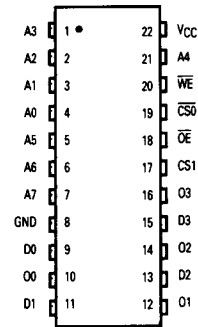


W SUFFIX
 CASE 736-05
 CERAMIC

BLOCK DIAGRAM



PIN ASSIGNMENT



PIN NAMES

CS0, CS1	Chip Selects
A0-A7	Address Inputs
OE	Output Enable
WE	Write Enable
D0-D3	Data Inputs
O0-O3	Data Outputs

8

FUNCTIONAL DESCRIPTION

The 93422 Series are fully decoded 1024-bit random access memories organized 256 words by 4 bits. Word selections are achieved by means of an 8-bit address, A0-A7.

The Chip Select (CS0 and CS1) inputs provide for memory array expansion. For large memories, the fast chip select time permits the decoding of chip select from the address without increasing address access time.

The read and write operations are controlled by the state of the active low Write Enable (WE, Pin 20). With WE and CS0 held low and the CS1 held high, the data at D_n is written into the addressed location. To read, WE and CS1 are held high and CS0 is held low. Data in the specified location is presented at the output (O0-O2) and is non-inverted.

The three-state outputs provide drive capability for higher speeds with capacitive load systems. The third state (high impedance) allows bus-organized systems where multiple outputs are connected to a common bus.

During writing, the output is held in a high-impedance state.

GUARANTEED OPERATING RANGES

Part Number	Supply Voltage (V _{CC})			Ambient Temp. (T _A)
	Min	Nom	Max	
93422/BWAJC 93L422/BWAJC 93L422A/BWAJC	4.5 V	5.0 V	5.5 V	-55°C to +125°C

ABSOLUTE MAXIMUM RATINGS*

Storage Temperature Ceramic Package (W Suffix)	-65°C to +150°C
Operating Junction Temperature, T _J Ceramic Package (W Suffix)	<165°C
V _{CC} Pin Potential to Ground Pin	-0.5 V to +7.0 V
Input Voltage (dc)	-0.5 V to +5.5 V
Voltage Applied to Outputs (Output High)	-0.5 V to +5.5 V
Output Current (dc) (Output Low)	+20 mA
Input Current (dc)	-12 mA to +5.0 mA

*Device damage may occur if ABSOLUTE MAXIMUM RATINGS are exceeded.

TRUTH TABLE

Inputs					Output	Mode
OE	CS0	CS1	WE	D0-D3	O0-O3	
X	H	X	X	X	High Z	Not Selected
X	X	L	X	X	High Z	Not Selected
X	L	H	L	L	High Z	Write "0"
X	L	H	L	H	High Z	Write "1"
H	X	X	X	X	High Z	Output Disabled
L	L	H	H	X	O0-O3	Read

H = High Voltage Level
L = Low Voltage Level
X = Don't Care (High or Low)

DC OPERATING CONDITIONS AND CHARACTERISTICS

(Full operating voltage and temperature range)

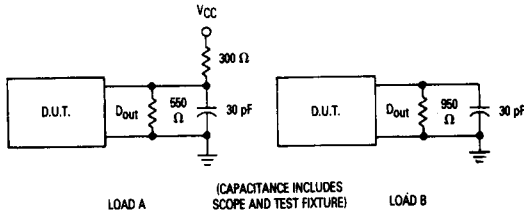
Symbol	Characteristic	Limits		Units	Conditions		
		Min	Max				
V _{OL}	Output Low Voltage	—	0.45	Vdc	V _{CC} = Min, I _{OL} = 8.0 mA		
V _{IH}	Input High Voltage	2.1	—	Vdc	Guaranteed Input High Voltage for All Inputs		
V _{IL}	Input Low Voltage	—	0.8	Vdc	Guaranteed Input Low Voltage for All Inputs		
I _{IL}	Input Low Current	-0.01	-300	μAdc	V _{CC} = Max, V _{in} = 0.45 V		
I _{IH}	Input High Current	—	40	μAdc	V _{CC} = Max, V _{in} = 5.5 V		
I _{off}	Output Current (High Z)	—	50	μAdc	V _{CC} = Max, V _{out} = 2.4 V		
I _{OS}	Output Current Short Circuit to Ground	—	-50	μAdc	V _{CC} = Max, V _{out} = 0.45 V		
I _{OS}	Output Current Short Circuit to Ground	-10	-70	mAdc	V _{CC} = Max (Note 1)		
V _{OH}	Output High Voltage	2.4	—	Vdc	V _{CC} = Min, I _{OH} = -5.2 mA		
V _{IK}	Input Diode Clamp Voltage	—	-1.5	Vdc	V _{CC} = Max, I _{in} = -10 mA		
I _{CC}	Power Supply Current	93422	—	130	mAdc	T _A = +125°C	
			—	155	mAdc	T _A = +25°C	
			—	170	mAdc	T _A = -55°C	
		93L422A 93L422	—	70	mAdc	T _A = +125°C	V _{CC} = 5.5 V, All Inputs Grounded
			—	80	mAdc	T _A = +25°C	
			—	90	mAdc	T _A = -55°C	



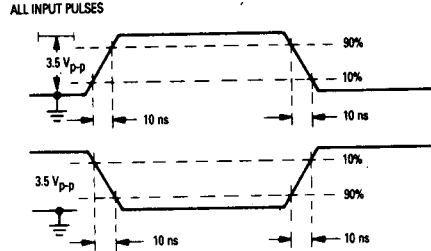
AC OPERATING CONDITIONS AND CHARACTERISTICS
(Full operating voltage and temperature range)

AC TEST LOAD AND WAVEFORMS

LOADING CONDITIONS



INPUT PULSES



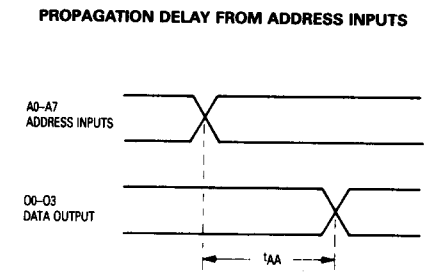
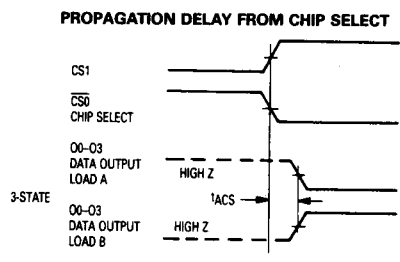
Symbol	Characteristic (Notes 1, 2, 3, 4, 5)	93422/BWAJC		93L422/BWAJC		93L422A/BWAJC		Unit
		Min	Max	Min	Max	Min	Max	
READ MODE	DELAY TIMES							ns
tACS	Chip Select Time	—	45	—	45	—	40	
tZRCS	Chip Select to High Z	—	45	—	45	—	40	
tAOS	Output Enable Time	—	45	—	45	—	40	
tZROS	Output Enable to High Z	—	45	—	45	—	40	
tAA	Address Access Time	—	60	—	75	—	55	
WRITE MODE	DELAY TIMES							ns
tZWS	Write Disable to High Z	—	45	—	45	—	45	
tWR	Write Recovery Time	—	50	—	50	—	45	
	INPUT TIMING REQUIREMENTS							ns
tW	Write Pulse Width (to guarantee write)	30	—	30	—	40	—	
tWSD	Data Setup Time Prior to Write	5.0	—	5.0	—	5.0	—	
tWHD	Data Hold Time After Write	5.0	—	5.0	—	5.0	—	
tWSA	Address Setup Time (at tW = Min)	10	—	10	—	10	—	
tWHA	Address Hold Time	10	—	10	—	5.0	—	
tWSCS	Chip Select Setup Time	5.0	—	5.0	—	5.0	—	
tWHCS	Chip Select Hold Time	5.0	—	5.0	—	5.0	—	

NOTES:

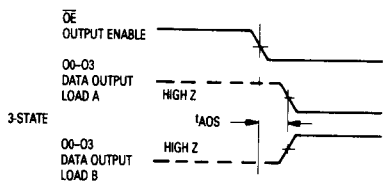
- Output short circuit conditions must not exceed 1.0 second duration.
- The maximum address access time is guaranteed to be the worst-case bit in the memory.
- Load A used to measure transitions between logic levels and from High Z state to logic Low state.
Load B used to measure transitions between High Z state to logic High state.
Load C used to measure transitions from either logic High or Low state to High Z state.
- All time measurements are referenced to +1.5 Vdc except transitions into the High Z state where outputs are referenced to a delta of 0.5 Vdc from the logic level using Load C.
- See test circuit and waveforms.

8

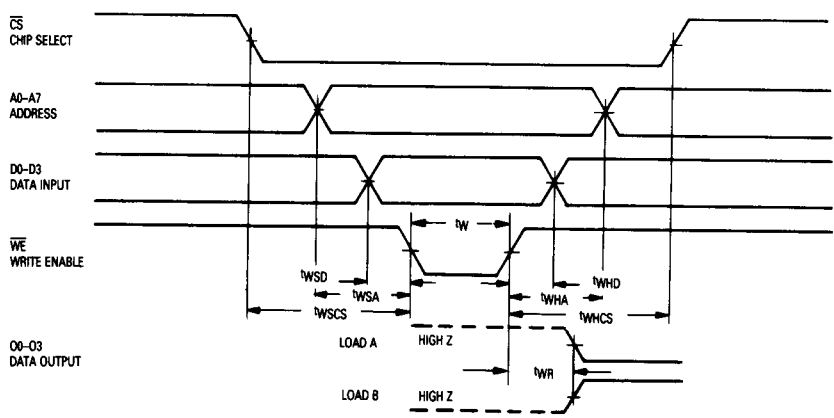
READ OPERATION TIMING DIAGRAM
 (All Time Measurements Referenced to 1.5 V)



PROPAGATION DELAY FROM OUTPUT ENABLE

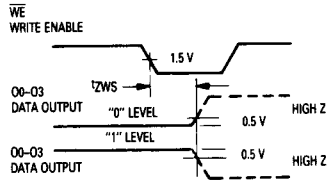
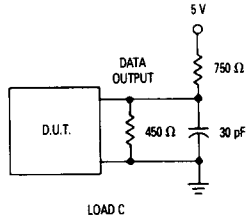


WRITE CYCLE TIMING

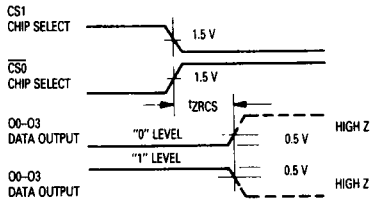


(ALL ABOVE MEASUREMENTS REFERENCE TO 1.5 V)

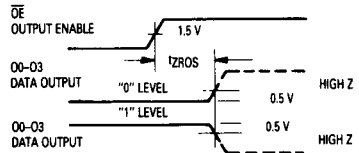
WRITE ENABLE TO HIGH Z DELAY



PROPAGATION DELAY FROM CHIP SELECT TO HIGH Z



PROPAGATION DELAY FROM OUTPUT ENABLE TO HIGH Z



(ALL t_{ZXXX} PARAMETERS ARE MEASURED AT A DELTA OF 0.5 V FROM THE LOGIC LEVEL AND USING LOAD C.)

8

Package	θ_{JA} (Junction to Ambient)		θ_{JC} (Junction to Case)
	Blown*	Still	
W Suffix	50°C/W	75°C/W	15°C/W

*500 linear ft. per minute blown air.