

# DM54LS295A/DM74LS295A 4-Bit Shift Register with TRI-STATE® Outputs

## General Description

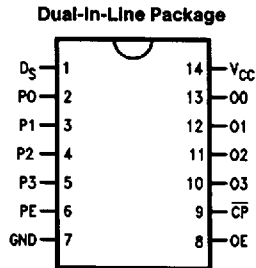
The 'LS295A is a 4-bit shift register with serial and parallel synchronous operating modes, and independent TRI-STATE output buffers. The Parallel Enable input (PE) controls the shift-right or parallel load operation. All data transfers and shifting occur synchronous with the HIGH-to-LOW clock transition.

The TRI-STATE output buffers are controlled by an active HIGH Output Enable input (OE). Disabling the output buffers does not affect the shifting or loading of input data, but it does inhibit serial expansion. The device is fabricated with the Schottky barrier diode process for high speed.

## Features

- Fully synchronous serial or parallel data transfers
- Negative edge-triggered clock input
- Parallel enable mode control input
- TRI-STATE bussable output buffers

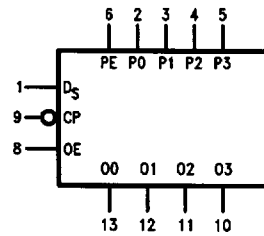
## Connection Diagram



TL/F/10183-1

Order Number **DM54LS295AJ, DM54LS295AW, DM74LS295AM or DM74LS295AN**  
See NS Package Number J14A, M14A, N14A or W14B

## Logic Symbol



V<sub>CC</sub> = Pin 14  
GND = Pin 7

TL/F/10183-2

Pin Names	Description
PE	Parallel Enable Input (Active HIGH)
D <sub>S</sub>	Serial Data Input
P0-P3	Parallel Data Inputs
OE	TRI-STATE Output Enable Input (Active HIGH)
CP	Clock Pulse Input (Active Falling Edge)
O0-O3	TRI-STATE Outputs

TRI-STATE® is a registered trademark of National Semiconductor Corporation.

## Absolute Maximum Ratings (Note)

If Military/Aerospace specified devices are required, please contact the National Semiconductor Sales Office/Distributors for availability and specifications.


Supply Voltage	7V
Input Voltage	7V
Operating Free Air Temperature Range	
DM54LS	-55°C to +125°C
DM74LS	0°C to +70°C
Storage Temperature Range	-65°C to +150°C

Note: The "Absolute Maximum Ratings" are those values beyond which the safety of the device cannot be guaranteed. The device should not be operated at these limits. The parametric values defined in the "Electrical Characteristics" table are not guaranteed at the absolute maximum ratings. The "Recommended Operating Conditions" table will define the conditions for actual device operation.

## Recommended Operating Conditions

Symbol	Parameter	DM54LS295A			DM74LS295A			Units
		Min	Nom	Max	Min	Nom	Max	
V <sub>CC</sub>	Supply Voltage	4.5	5	5.5	4.75	5	5.25	V
V <sub>IH</sub>	High Level Input Voltage	2			2			V
V <sub>IL</sub>	Low Level Input Voltage			0.7			0.8	V
I <sub>OH</sub>	High Level Output Current			-1.0			-2.6	mA
I <sub>OL</sub>	Low Level Output Current			4			8	mA
T <sub>A</sub>	Free Air Operating Temperature	-55		125	0		70	°C
t <sub>s</sub> (H)	Setup Time HIGH or LOW	20			20			ns
t <sub>s</sub> (L)	D <sub>S</sub> , P <sub>n</sub> to $\overline{CP}$	20			20			ns
t <sub>h</sub> (H)	Hold Time HIGH or LOW	10			10			ns
t <sub>h</sub> (L)	D <sub>S</sub> , P <sub>n</sub> to $\overline{CP}$	10			10			ns
t <sub>s</sub> (H)	Setup Time HIGH or LOW	20			20			ns
t <sub>s</sub> (L)	PE to $\overline{CP}$	20			20			ns
t <sub>h</sub> (H)	Hold Time HIGH or LOW	0			0			ns
t <sub>h</sub> (L)	PE to $\overline{CP}$	0			0			ns
t <sub>w</sub> (L)	$\overline{CP}$ Pulse Width LOW	20			20			ns

## Electrical Characteristics over recommended operating free air temperature range (unless otherwise noted)

Symbol	Parameter	Conditions	Min	Typ (Note 1)	Max	Units
V <sub>I</sub>	Input Clamp Voltage	V <sub>CC</sub> = Min, I <sub>I</sub> = -18 mA			-1.5	V
V <sub>OH</sub>	High Level Output Voltage	V <sub>CC</sub> = Min, I <sub>OH</sub> = Max, V <sub>IL</sub> = Max	DM54	2.4		V
			DM74	2.4		
V <sub>OL</sub>	Low Level Output Voltage	V <sub>CC</sub> = Min, I <sub>OL</sub> = Max, V <sub>IH</sub> = Min	DM54		0.4	V
			DM74		0.5	
		I <sub>OL</sub> = 4 mA, V <sub>CC</sub> = Min	DM74		0.4	
I <sub>I</sub>	Input Current @ Max Input Voltage	V <sub>CC</sub> = Max, V <sub>I</sub> = 7V V <sub>I</sub> = 10V (DM54)			0.1	mA
I <sub>IH</sub>	High Level Input Current	V <sub>CC</sub> = Max, V <sub>I</sub> = 2.7V			20	μA
I <sub>IL</sub>	Low Level Input Current	V <sub>CC</sub> = Max, V <sub>I</sub> = 0.4V			-0.4	mA
I <sub>OS</sub>	Short Circuit Output Current	V <sub>CC</sub> = Max (Note 2)	DM54	-20	-100	mA
			DM74	-20	-100	
I <sub>CC</sub>	Supply Current Outputs ON	V <sub>CC</sub> = Max, P <sub>n</sub> = GND PE, DS, OE = 4.5V, $\overline{CP}$ = 			23	mA
	Outputs OFF	V <sub>CC</sub> = Max, PE, DS = 4.5V P <sub>n</sub> , OE, $\overline{CP}$ = GND			25	mA

**Electrical Characteristics** (Continued)  
 over recommended operating free air temperature range (unless otherwise noted)

Symbol	Parameter	Conditions	Min	Typ (Note 1)	Max	Units
I <sub>OZH</sub>	Off-State Output Current with High Level Output Voltage Applied	V <sub>CC</sub> = Max, V <sub>O</sub> = 2.7V V <sub>IH</sub> = Min, V <sub>IL</sub> = Max			20	μA
I <sub>OZL</sub>	Off-State Output Current with Low Level Output Voltage Applied	V <sub>CC</sub> = Max, V <sub>O</sub> = 0.4V V <sub>IH</sub> = Min, V <sub>IL</sub> = Max			-20	μA

Note 1: All typicals are at V<sub>CC</sub> = 5V, T<sub>A</sub> = 25°C.

Note 2: Not more than one output should be shorted at a time, and the duration should not exceed one second.

**Switching Characteristics** V<sub>CC</sub> = +5.0V, T<sub>A</sub> = +25°C


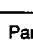
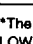
Symbol	Parameter	R <sub>L</sub> = 2 kΩ, C <sub>L</sub> = 15 pF		Units
		Min	Max	
f <sub>max</sub>	Maximum Shift Frequency	30		MHz
t <sub>PLH</sub> t <sub>PHL</sub>	Propagation Delay CP to Q <sub>n</sub>		30 26	ns
t <sub>PZH</sub> t <sub>PZL</sub>	Output Enable Time		18 20	ns
t <sub>PHZ</sub> t <sub>PLZ</sub>	Output Disable Time		24 20	ns

## Functional Description

This device is a 4-bit shift register with serial and parallel synchronous operating modes. It has a Serial Data ( $D_S$ ) and four Parallel Data ( $P_0$ – $P_3$ ) inputs and four parallel TRI-STATE output buffers ( $O_0$ – $O_3$ ). When the Parallel Enable (PE) input is HIGH, data is transferred from the Parallel Data inputs ( $P_0$ – $P_3$ ) into the register synchronous with the HIGH-to-LOW transition of the Clock ( $\overline{CP}$ ). When the PE is LOW, a HIGH-to-LOW transition on the clock transfers the serial data on the  $D_S$  input to the register  $Q_0$ , and shifts data from  $Q_0$  to  $Q_1$ ,  $Q_1$  to  $Q_2$  and  $Q_2$  to  $Q_3$ . The input data and parallel enable are fully edge-triggered and must be stable only one setup time before the HIGH-to-LOW clock transition.

The TRI-STATE output buffers are controlled by an active HIGH Output Enable input (OE). When the OE is HIGH, the four register outputs appear at the  $O_0$ – $O_3$  outputs. When OE is LOW, the outputs are forced to a high impedance OFF state. The TRI-STATE output buffers are completely independent of the register operation, i.e., the input transitions on the OE input do not affect the serial or parallel data transfers of the register. If the outputs are tied together, all but one device must be in the high impedance state to avoid high currents that would exceed the maximum ratings. Designers should ensure that Output Enable signals to TRI-STATE devices whose outputs are tied together are designed so there is no overlap.

Mode Select Table

Operating Mode	Inputs				Outputs			
	PE	$\overline{CP}$	$D_S$	$P_n$	$Q_0$	$Q_1$	$Q_2$	$Q_3$
Shift Right	l		l	X	L	q <sub>0</sub>	q <sub>1</sub>	q <sub>2</sub>
	l		h	X	H	q <sub>0</sub>	q <sub>1</sub>	q <sub>2</sub>
Parallel Load	h		X	p <sub>n</sub>	p <sub>0</sub>	p <sub>1</sub>	p <sub>2</sub>	p <sub>3</sub>

\*The indicated data appears at the Q outputs when OE is HIGH. When OE is LOW, the indicated data is loaded into the register, but the outputs are all forced to the high impedance OFF state.

$P_n$  ( $q_n$ ) = Lower case letters indicate the state of the referenced input (or output) one set-up time prior to the HIGH-to-LOW clock transition.

l = LOW Voltage Level one set-up time prior to the HIGH-to-LOW clock transition.

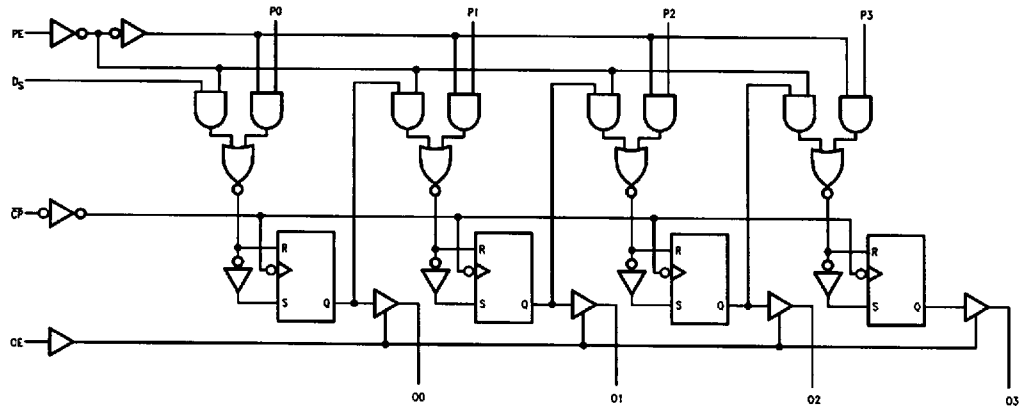
h = HIGH Voltage Level one set-up time prior to the HIGH-to-LOW clock transition.

H = HIGH Voltage Level

L = LOW Voltage Level

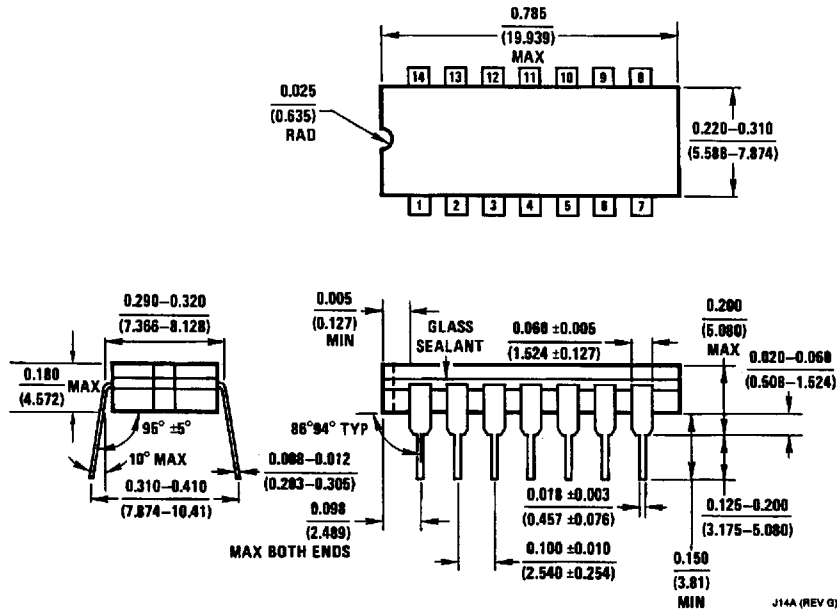
X = Immaterial

## Logic Diagram

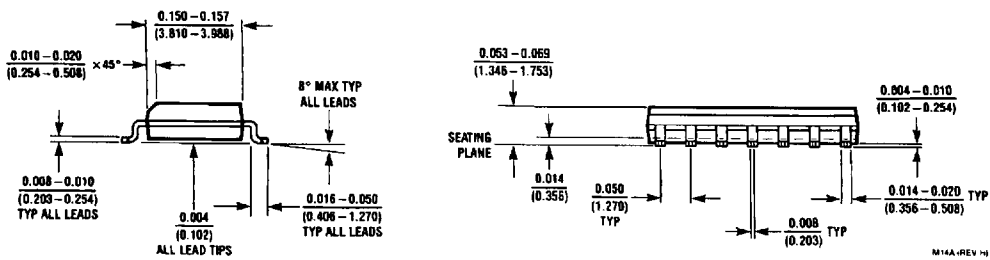
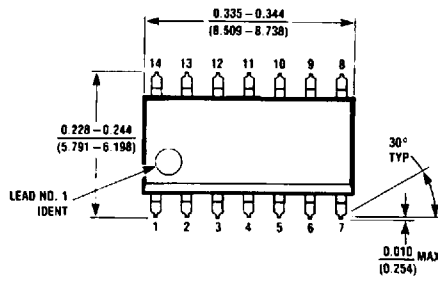


TL/F/10183-3

**Physical Dimensions** inches (millimeters)

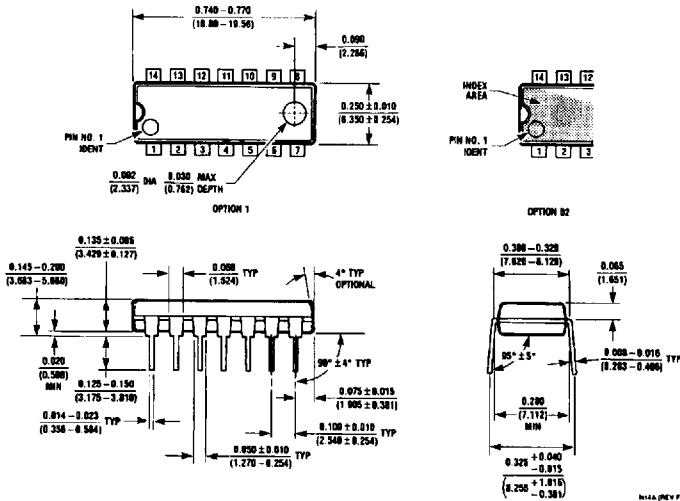


**14-Lead Ceramic Dual-In-Line Package (J)**  
**Order Number DM54LS295AJ**  
**NS Package Number J14A**

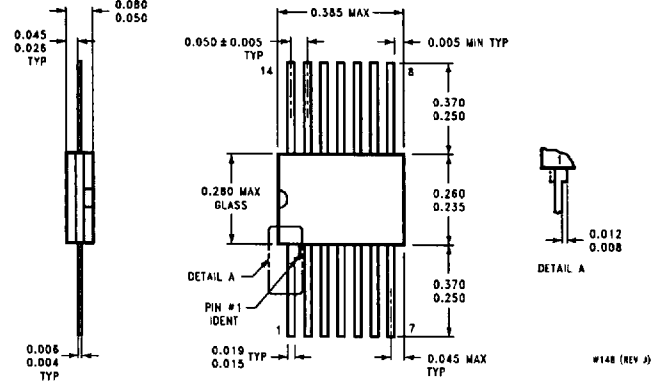


**14-Lead Small Outline Molded Package (M)**  
**Order Number DM74LS295AM**  
**NS Package Number M14A**

**Physical Dimensions** inches (millimeters) (Continued)



**14-Lead Molded Dual-In-Line Package (N)**  
**Order Number DM74LS295AN**  
**NS Package Number N14A**




**14-Lead Ceramic Flat Package (W)**  
**Order Number DM54LS295AW**  
**NS Package Number W14B**

**LIFE SUPPORT POLICY**

NATIONAL'S PRODUCTS ARE NOT AUTHORIZED FOR USE AS CRITICAL COMPONENTS IN LIFE SUPPORT DEVICES OR SYSTEMS WITHOUT THE EXPRESS WRITTEN APPROVAL OF THE PRESIDENT OF NATIONAL SEMICONDUCTOR CORPORATION. As used herein:

1. Life support devices or systems are devices or systems which, (a) are intended for surgical implant into the body, or (b) support or sustain life, and whose failure to perform, when properly used in accordance with instructions for use provided in the labeling, can be reasonably expected to result in a significant injury to the user.
2. A critical component is any component of a life support device or system whose failure to perform can be reasonably expected to cause the failure of the life support device or system, or to affect its safety or effectiveness.

 <p><b>National Semiconductor Corporation</b>          1111 West Bardin Road          Arlington, TX 78017          Tel: 1(800) 272-9959          Fax: 1(800) 737-7018</p>	<p><b>National Semiconductor Europe</b>          Fax: (+49) 0-180-530 85 86          Email: crljwge@tevm2.nsc.com          Deutsch Tel: (+49) 0-180-530 85 85          English Tel: (+49) 0-180-532 78 32          Français Tel: (+49) 0-180-532 93 58          Italiano Tel: (+49) 0-180-534 18 80</p>	<p><b>National Semiconductor Hong Kong Ltd.</b>          13th Floor, Straight Block,          Ocean Centre, 5 Canton Rd.          Tsimshatsui, Kowloon          Hong Kong          Tel: (852) 2737-1600          Fax: (852) 2736-9960</p>	<p><b>National Semiconductor Japan Ltd.</b>          Tel: 81-043-299-2309          Fax: 81-043-299-2408</p>
--	---	---	---

National does not assume any responsibility for use of any circuitry described, no circuit patent licenses are implied and National reserves the right at any time without notice to change said circuitry and specifications.