

Features

- FAST ADDRESS ACCESS TIME**
 HM-7610/11 **60 ns MAXIMUM**
 HM-7610A/11A **45 ns MAXIMUM**
 HM-7610B/11B **35 ns MAXIMUM**
- "THREE STATE" OR OPEN COLLECTOR OUTPUTS AND TWO CHIP ENABLE INPUTS**
- SIMPLE HIGH SPEED PROGRAMMING PROCEDURE—ONE PULSE/BIT ASSURES FAST PROGRAMMING AND SUPERIOR RELIABILITY.**
- INPUTS AND OUTPUTS TTL COMPATIBLE**
- FAST ACCESS TIME — GUARANTEED FOR WORST CASE N² SEQUENCING OVER COMMERCIAL AND MILITARY TEMPERATURE AND VOLTAGE RANGES.**
- PIN COMPATIBLE WITH INDUSTRY STANDARD 1K PROMs.**

Description

The HM-7610/11 are fully decoded high speed Schottky TTL 1024 bit Field Programmable ROM's in a 256 word by 4 bit/word format with open collector (HM-7610) or "three state" (HM-7611) outputs. The PROMs are available in 16 pin D.I.P. (ceramic or power plastic).

All bits are manufactured storing a logical "1" (positive logic) and can be selectively programmed for a logical "0" in any bit position.

The HM-7610/11 contain test rows and columns which are in addition to the storage array to assure high programmability and guarantee parametric and A.C. performance. The fuses in these test rows and columns are blown prior to shipment.

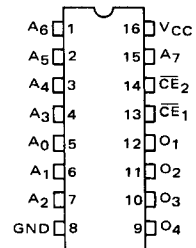
This PROM is intended for use in state of the art high speed logic systems.

Nickel-chromium fuse technology is used on these and all other Harris Bipolar PROMs.

There are two chip enable inputs on the HM-7610/11 where \overline{CE}_1 and \overline{CE}_2 low enables the chip.

Pinouts

TOP VIEW—DIP



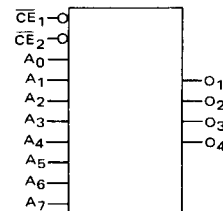
PIN NAMES

A₀ - A₇ Address Inputs

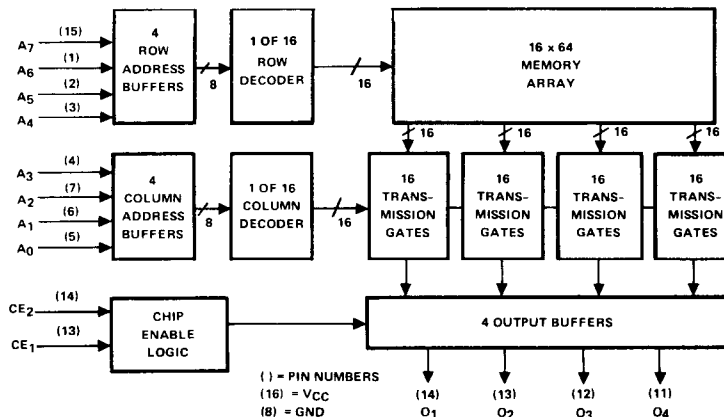
O₁ - O₄ Data Outputs

\overline{CE}_1 , \overline{CE}_2 Chip Enable Inputs

Logic Symbol



Functional Diagram



Specifications HM-7610/11

ABSOLUTE MAXIMUM RATINGS

Output or Supply Voltage (Operating)	-0.3 to +7.0V	Storage Temperature	-65°C to +150°C
Address/Enable Input Voltage	5.5V	Operating Temperature (Ambient)	-55°C to +125°C
Address/Enable Input Current	-20mA	Maximum Junction Temperature	+175°C
Output Sink Current	100mA		

CAUTION: Stresses above those listed under the "Absolute Maximum Ratings" may cause permanent damage to the device. This is a stress only rating and functional operation of the device at these or at any other conditions above those indicated in the operational sections of this specification is not implied. (While programming, follow the programming specifications.)

D.C. ELECTRICAL CHARACTERISTICS (Operating) HM-7610/11-5 (V_{CC} = 5.0V ± 5%, T_A = 0°C to +75°C) HM-7610/11-2/-8 (V_{CC} = 5.0V ± 10%, T_A = -55°C to +125°C)

Typical measurements are at T_A = 25°C, V_{CC} = +5V.

NOTE: Multiple entries refer to parameter values for "A", "B"/Std. Positive current defined as into device terminals.

SYMBOL	PARAMETER	MIN	TYP	MAX	UNITS	TEST CONDITIONS
I _{IH} I _{IL}	Address/Enable Input Current	"1" "0"	- -	+40 -100/-250	μA	V _{IH} = V _{CC} Max. V _{IL} = 0.45V
V _{IH} V _{IL}	Input Threshold Voltage	"1" "0"	2.0* -	1.5 0.8*	V	V _{CC} = V _{CC} Min. V _{CC} = V _{CC} Max.
V _{OH} V _{OL}	Output Voltage	"1" "0"	2.4** -	3.2** 0.35	V	I _{OH} = -2.0mA, V _{CC} = V _{CC} Min. I _{OL} = +16mA, V _{CC} = V _{CC} Min.
I _{OHE} I _{OLE}	Output Disable Current	"1" "0"	- -	+40/+100 -40/-100**	μA	V _{OH} , V _{CC} = V _{CC} Max. V _{OL} = 0.3V, V _{CC} = V _{CC} Max.
V _{CL}	Input Clamp Voltage	-	-	-1.2	V	I _{IN} = -18mA
I _{OS}	Output Short Circuit Current	-15**	-	-100**	mA	V _{CC} = V _{CC} Max. V _{OUT} = 0.0V One Output Only for a Max. of 1 Second
I _{CC}	Power Supply Current	-	90	110/130	mA	V _{CC} = V _{CC} Max. All Inputs Grounded

* These are absolute voltages with respect to ground pin and include all overshoots due to system and/or tester noise. Do not attempt to test these values without suitable equipment.

** "Three-State" only.

4

BIPOLAR
MEMORY

A.C. ELECTRICAL CHARACTERISTICS (Operating)

Typical measurements are at T_A = 25°C, V_{CC} = +5V.

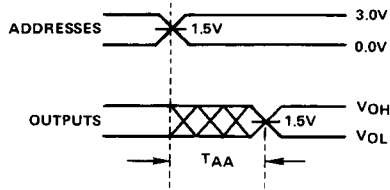
SYMBOL	PARAMETER	HM-7610/11-5 5V ± 5% 0°C to +75°C						HM-7610/11-2/-8 5V ± 10% -55°C to +125°C						UNITS
		"B"		"A"		STD		"B"		"A"		STD		
		TYP	MAX	TYP	MAX	TYP	MAX	TYP	MAX	TYP	MAX	TYP	MAX	
T _{AA}	Address Access Time	25	35	35	45	40	60	-	50	-	65	-	75	ns
T _{EA}	Chip Enable Access Time	-	25	-	25	-	25	-	30	-	30	-	30	ns
T _{DA}	Chip Disable Access Time	-	25	-	25	-	25	-	30	-	30	-	30	

A.C. limits guaranteed for worst case N2 sequencing with maximum test frequency of 5MHz.

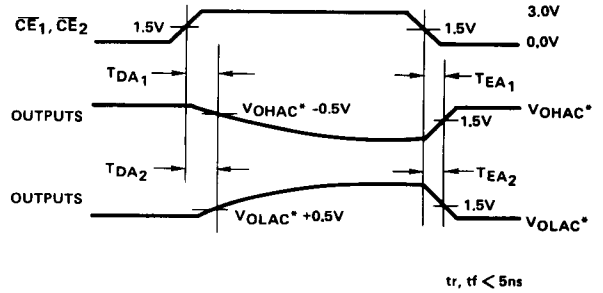
CAPACITANCE: T_A = 25°C

SYMBOL	PARAMETER	TYPICAL	UNITS	TEST CONDITIONS
C _{INA} , C _{INCE}	Input Capacitance	8	pF	V _{CC} = 5V, V _{IN} = 2.0V, f = 1MHz
C _{OUT}	Output Capacitance	10	pF	V _{CC} = 5V, V _{OUT} = 2.0V, f = 1MHz

HM-7610/11 SWITCHING TIME DEFINITIONS

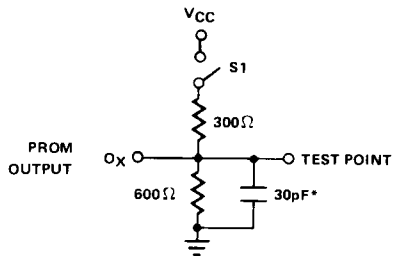


NOTE: As is common to all memory devices, output levels can be undefined during the address access period (T_{AA}); however, the outputs are guaranteed to reach stable levels by T_{AA} . It is not recommended that outputs from this class of devices be used to drive edge triggered inputs on subsequent devices (counters, flip-flops, etc.) without proper intermediate synchronization.



*VOLAC AND VOHAC ARE THE MEASURED OUTPUT VOLTAGE LEVELS WHILE ENABLED.

A.C. TEST LOAD



This is the A.C. Test Load which Harris Semiconductor uses in its automatic test equipment, and it is recommended that users of Harris bipolar devices use the same or an equivalent load in performing A.C. testing.

*Includes jig & probe total capacitance

SYMBOL	PARAMETER	S1
T_{AA}	Address Access Time	Closed
* TEA_1	Chip Enable Access Time from "Three State" to V_{OH}	Open
TEA_2	Chip Enable Access Time to V_{OL}	Closed
* TDA_1	Chip Disable Access Time from V_{OH} to "Three State"	Open
TDA_2	Chip Disable Access Time from V_{OL}	Closed

* Applies to "Three-State" only.