

April 1995

75A, 400V - 600V Hyperfast Diodes

Features

- Hyperfast with Soft Recovery.....<55ns
- Operating Temperature.....+175°C
- Reverse Voltage Up To.....600V
- Avalanche Energy Rated
- Planar Construction

Applications

- Switching Power Supplies
- Power Switching Circuits
- General Purpose

Description

RHRU7540, RHRU7550 and RHRU7560 (TA49067) are hyperfast diodes with soft recovery characteristics ($t_{RR} < 55ns$). They have half the recovery time of ultrafast diodes and are silicon nitride passivated ion-implanted epitaxial planar construction.

These devices are intended for use as freewheeling/clamping diodes and rectifiers in a variety of switching power supplies and other power switching applications. Their low stored charge and hyperfast soft recovery minimize ringing and electrical noise in many power switching circuits reducing power loss in the switching transistors.

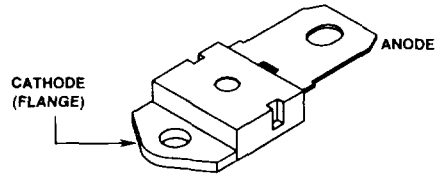
PACKAGING AVAILABILITY

PART NUMBER	PACKAGE	BRAND
RHRU7540	TO-218	RHRU7540
RHRU7550	TO-218	RHRU7550
RHRU7560	TO-218	RHRU7560

NOTE: When ordering, use the entire part number.

Package

SINGLE LEAD JEDEC STYLE TO-218



Symbol



Absolute Maximum Ratings $T_C = +25^\circ C$, Unless Otherwise Specified

	RHRU7540	RHRU7550	RHRU7560	UNITS
Peak Repetitive Reverse Voltage..... V_{RRM}	400	500	600	V
Working Peak Reverse Voltage..... V_{RWM}	400	500	600	V
DC Blocking Voltage..... V_R	400	500	600	V
Average Rectified Forward Current..... $I_{F(AV)}$ ($T_C = +80^\circ C$)	75	75	75	A
Repetitive Peak Surge Current..... I_{FSM} (Square Wave, 20kHz)	150	150	150	A
Nonrepetitive Peak Surge Current..... I_{FSM} (Halfwave, 1 Phase, 60Hz)	750	750	750	A
Maximum Power Dissipation..... P_D	190	190	190	W
Avalanche Energy (See Figures 10 and 11)..... E_{AVL}	50	50	50	mj
Operating and Storage Temperature..... T_{STG}, T_J	-65 to +175	-65 to +175	-65 to +175	°C

7
HYPERFAST
SINGLE DIODES

Specifications RHRU7540, RHRU7550, RHRU7560

Electrical Specifications $T_C = +25^\circ\text{C}$, Unless Otherwise Specified

SYMBOL	TEST CONDITION	RHRU7540			RHRU7550			RHRU7560			UNITS
		MIN	TYP	MAX	MIN	TYP	MAX	MIN	TYP	MAX	
V_F	$I_F = 75\text{A}$, $T_C = +25^\circ\text{C}$	-	-	2.1	-	-	2.1	-	-	2.1	V
	$I_F = 75\text{A}$, $T_C = +150^\circ\text{C}$	-	-	1.7	-	-	1.7	-	-	1.7	V
I_R	$V_R = 400\text{V}$, $T_C = +25^\circ\text{C}$	-	-	500	-	-	-	-	-	-	μA
	$V_R = 500\text{V}$, $T_C = +25^\circ\text{C}$	-	-	-	-	-	500	-	-	-	μA
	$V_R = 600\text{V}$, $T_C = +25^\circ\text{C}$	-	-	-	-	-	-	-	-	500	μA
I_R	$V_R = 400\text{V}$, $T_C = +150^\circ\text{C}$	-	-	2.0	-	-	-	-	-	-	mA
	$V_R = 500\text{V}$, $T_C = +150^\circ\text{C}$	-	-	-	-	-	2.0	-	-	-	mA
	$V_R = 600\text{V}$, $T_C = +150^\circ\text{C}$	-	-	-	-	-	-	-	-	2.0	mA
t_{RR}	$I_F = 1\text{A}$, $di_F/dt = 100\text{A}/\mu\text{s}$	-	-	55	-	-	55	-	-	55	ns
	$I_F = 75\text{A}$, $di_F/dt = 100\text{A}/\mu\text{s}$	-	-	60	-	-	60	-	-	60	ns
t_A	$I_F = 75\text{A}$, $di_F/dt = 100\text{A}/\mu\text{s}$	-	35	-	-	35	-	35	-	-	ns
t_B	$I_F = 75\text{A}$, $di_F/dt = 100\text{A}/\mu\text{s}$	-	18	-	-	18	-	18	-	-	ns
Q_{RR}	$I_F = 75\text{A}$, $di_F/dt = 100\text{A}/\mu\text{s}$	-	90	-	-	90	-	90	-	-	nC
C_J	$V_R = 10\text{V}$, $I_F = 0\text{A}$	-	200	-	-	200	-	200	-	-	pF
$R_{\theta JC}$		-	-	0.8	-	-	0.8	-	-	0.8	$^\circ\text{C}/\text{W}$

DEFINITIONS

V_F = Instantaneous forward voltage ($p_w = 300\mu\text{s}$, $D = 2\%$).

I_R = Instantaneous reverse current.

t_{RR} = Reverse recovery time (See Figure 2), summation of $t_A + t_B$.

t_A = Time to reach peak reverse current (See Figure 2).

t_B = Time from peak I_{RM} to projected zero crossing of I_{RM} based on a straight line from peak I_{RM} through 25% of I_{RM} (See Figure 2).

Q_{RR} = Reverse recovery charge.

C_J = Junction Capacitance.

$R_{\theta JC}$ = Thermal resistance junction to case.

E_{AVL} = Controlled avalanche energy. (See Figures 10 and 11).

p_w = pulse width.

D = duty cycle.

V_1 AMPLITUDE CONTROLS I_F
 V_2 AMPLITUDE CONTROLS di_F/dt
 L_1 = SELF INDUCTANCE OF
 $R_4 + L_{\text{LOOP}}$

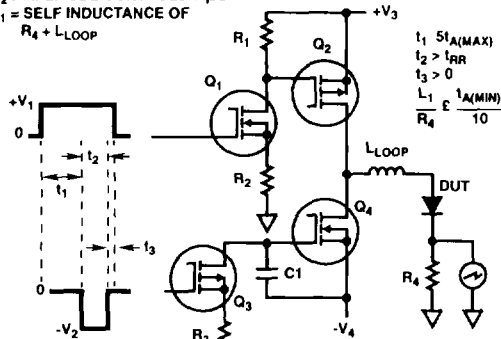


FIGURE 1. t_{RR} TEST CIRCUIT

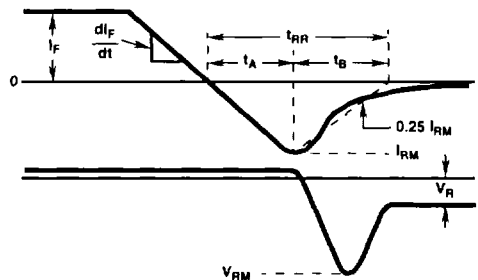


FIGURE 2. t_{RR} WAVEFORMS AND DEFINITIONS

Typical Performance Curves

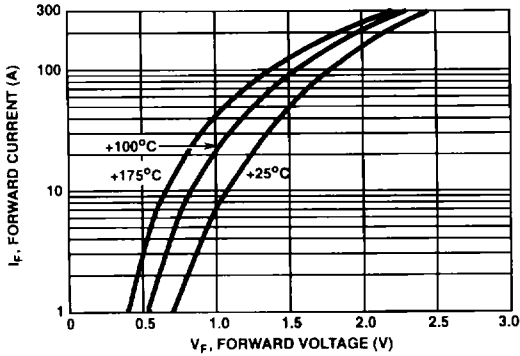


FIGURE 3. TYPICAL FORWARD CURRENT vs FORWARD VOLTAGE DROP

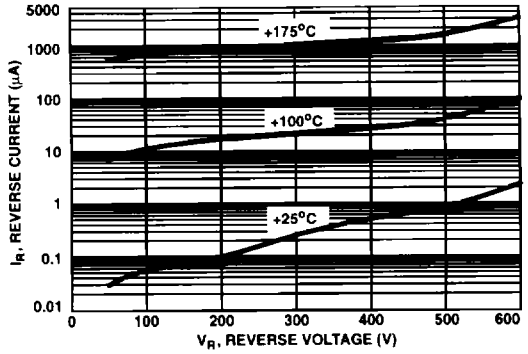


FIGURE 4. TYPICAL REVERSE CURRENT vs REVERSE VOLTAGE

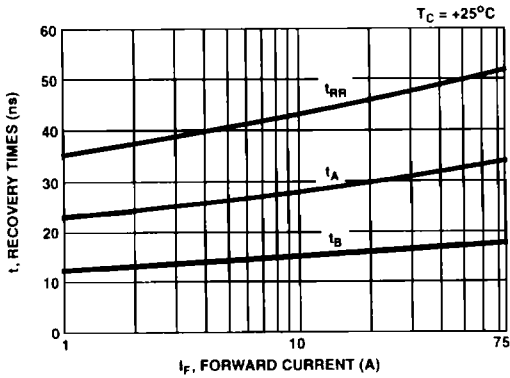


FIGURE 5. TYPICAL t_{RR} , t_A AND t_B CURVES vs FORWARD CURRENT AT +25°C

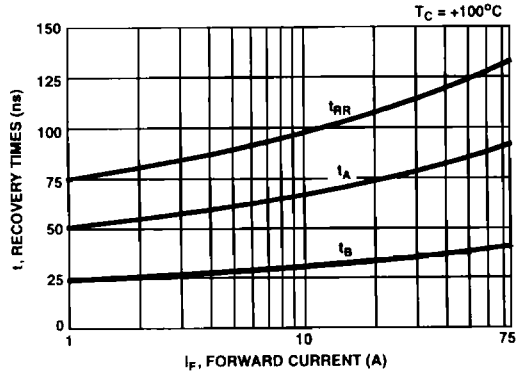


FIGURE 6. TYPICAL t_{RR} , t_A AND t_B CURVES vs FORWARD CURRENT AT +100°C

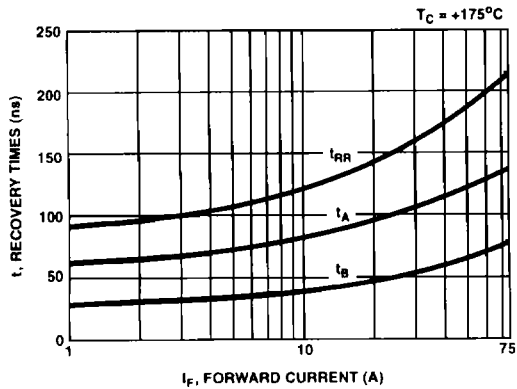


FIGURE 7. TYPICAL t_{RR} , t_A AND t_B CURVES vs FORWARD CURRENT AT +175°C

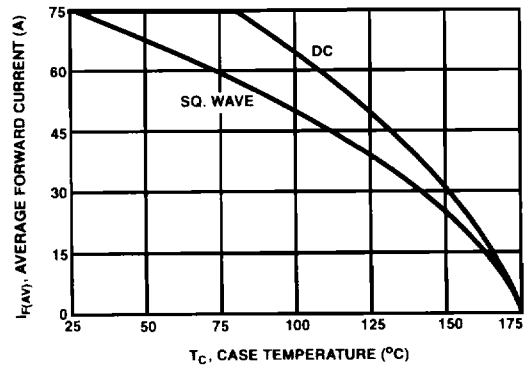


FIGURE 8. CURRENT DERATING CURVE FOR ALL TYPES

7
HYPERFAST
SINGLE DIODES

Typical Performance Curves (Continued)

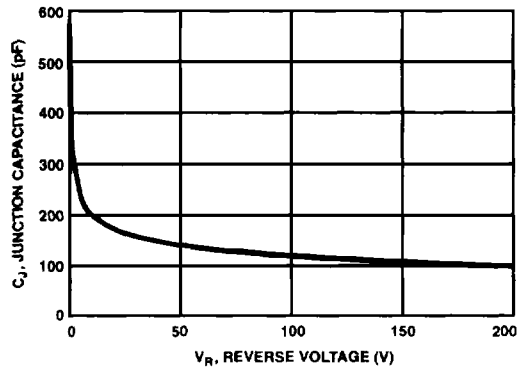


FIGURE 9. TYPICAL JUNCTION CAPACITANCE vs REVERSE VOLTAGE

Test Circuit and Waveforms

$I_{MAX} = 1A$
 $L = 40mH$
 $R < 0.1\Omega$
 $E_{AVL} = 1/2LI^2 [V_{AVL}/(V_{AVL} - V_{DD})]$
 Q_1 AND Q_2 ARE 1000V MOSFETS

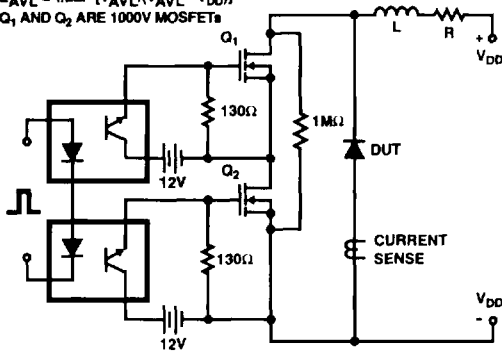


FIGURE 10. AVALANCHE ENERGY TEST CIRCUIT

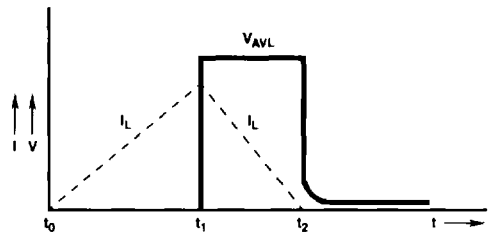


FIGURE 11. AVALANCHE CURRENT AND VOLTAGE WAVEFORM