

# BGS18MN14

SP8T Diversity Antenna Switch with MIPI RFFE Interface

## Data Sheet

Revision 3.0 - July 3, 2014

**Edition July 3, 2014**

**Published by Infineon Technologies AG  
81726 Munich, Germany**

**©2014 Infineon Technologies AG  
All Rights Reserved.**

## **LEGAL DISCLAIMER**

THE INFORMATION GIVEN IN THIS APPLICATION NOTE IS GIVEN AS A HINT FOR THE IMPLEMENTATION OF THE INFINEON TECHNOLOGIES COMPONENT ONLY AND SHALL NOT BE REGARDED AS ANY DESCRIPTION OR WARRANTY OF A CERTAIN FUNCTIONALITY, CONDITION OR QUALITY OF THE INFINEON TECHNOLOGIES COMPONENT. THE RECIPIENT OF THIS APPLICATION NOTE MUST VERIFY ANY FUNCTION DESCRIBED HEREIN IN THE REAL APPLICATION. INFINEON TECHNOLOGIES HEREBY DISCLAIMS ANY AND ALL WARRANTIES AND LIABILITIES OF ANY KIND (INCLUDING WITHOUT LIMITATION WARRANTIES OF NON-INFRINGEMENT OF INTELLECTUAL PROPERTY RIGHTS OF ANY THIRD PARTY) WITH RESPECT TO ANY AND ALL INFORMATION GIVEN IN THIS APPLICATION NOTE.

## **Information**

For further information on technology, delivery terms and conditions and prices, please contact the nearest Infineon Technologies Office ([www.infineon.com](http://www.infineon.com)).

## **Warnings**

Due to technical requirements, components may contain dangerous substances. For information on the types in question, please contact the nearest Infineon Technologies Office. Infineon Technologies components may be used in life-support devices or systems only with the express written approval of Infineon Technologies, if a failure of such components can reasonably be expected to cause the failure of that life-support device or system or to affect the safety or effectiveness of that device or system. Life support devices or systems are intended to be implanted in the human body or to support and/or maintain and sustain and/or protect human life. If they fail, it is reasonable to assume that the health of the user or other persons may be endangered.

## Revision History

**Document No.:** BGS18MN14\_v3.0.pdf

**Revision History:** Revision 3.0

**Previous Version:** Revision 0.7

Page	Subjects (major changes since last revision)
15	Figure 9 updated

### Trademarks of Infineon Technologies AG

AURIX™, C166™, CanPAK™, CIPOS™, CIPURSE™, CoolGaN™, CoolMOS™, CoolSET™, CoolSiC™, CORECONTROL™, DAVE™, DI-POL™, EasyPIM™, EconoBRIDGE™, EconoDUAL™, EconoPACK™, EconoPIM™, EiceDRIVER™, eupec™, FCOS™, HITFET™, HybridPACK™, ISOFACE™, I<sup>2</sup>RF™, IsoPACK™, MIPAQ™, ModSTACK™, my-d™, NovalithIC™, OmniTune™, OptiMOS™, ORIGA™, OPTIGA™, PROFET™, PRO-SIL™, PRIMARION™, PrimePACK™, RASIC™, ReverSave™, SatRIC™, SIEGET™, SIPMOS™, SOLID FLASH™, SmartLEWIS™, TEMPFET™, thinQ!™, TriCore™, TRENCHSTOP™.

### Other Trademarks

Advance Design System™ (ADS) of Agilent Technologies, AMBA™, ARM™, MULTI-ICE™, PRIMECELL™, REALVIEW™, THUMB™ of ARM Limited, UK. AUTOSAR™ is licensed by AUTOSAR development partnership. Bluetooth™ of Bluetooth SIG Inc. CAT-iq™ of DECT Forum. COLOSSUS™, FirstGPS™ of Trimble Navigation Ltd. EMV™ of EMVCo, LLC (Visa Holdings Inc.). EPCOS™ of Epcos AG. FLEXGO™ of Microsoft Corporation. FlexRay™ is licensed by FlexRay Consortium. HYPERTERMINAL™ of Hilgraeve Incorporated. IEC™ of Commission Electrotechnique Internationale. IrDA™ of Infrared Data Association Corporation. ISO™ of INTERNATIONAL ORGANIZATION FOR STANDARDIZATION. MATLAB™ of MathWorks, Inc. MAXIM™ of Maxim Integrated Products, Inc. MICROTEC™, NUCLEUS™ of Mentor Graphics Corporation. Mifare™ of NXP. MIPI™ of MIPI Alliance, Inc. MIPS™ of MIPS Technologies, Inc., USA. muRata™ of MURATA MANUFACTURING CO., MICROWAVE OFFICE™ (MWO) of Applied Wave Research Inc., OmniVision™ of OmniVision Technologies, Inc. Openwave™ Openwave Systems Inc. RED HAT™ Red Hat, Inc. RFMD™ RF Micro Devices, Inc. SIRIUS™ of Sirius Sattelite Radio Inc. SOLARIS™ of Sun Microsystems, Inc. SPANSION™ of Spansion LLC Ltd. Symbian™ of Symbian Software Limited. TAIYO YUDEN™ of Taiyo Yuden Co. TEAKLITE™ of CEVA, Inc. TEKTRONIX™ of Tektronix Inc. TOKO™ of TOKO KABUSHIKI KAISHA TA. UNIX™ of X/Open Company Limited. VERILOG™, PALLADIUM™ of Cadence Design Systems, Inc. VLYNQ™ of Texas Instruments Incorporated. VXWORKS™, WIND RIVER™ of WIND RIVER SYSTEMS, INC. ZETEX™ of Diodes Zetex Limited.

Last Trademarks Update 2012-12-13

## Contents

<b>1 Features</b>	<b>5</b>
<b>2 Product Description</b>	<b>5</b>
<b>3 Maximum Ratings</b>	<b>6</b>
<b>4 Operation Ranges</b>	<b>7</b>
<b>5 RF Characteristics</b>	<b>8</b>
<b>6 MIPI RFFE Specification</b>	<b>10</b>
<b>7 Pin Definition and Package Outline</b>	<b>14</b>

## List of Figures

1 BGS18MN14 block diagram . . . . .	6
2 MIPI to RF Time . . . . .	9
3 Received clock signal constraints . . . . .	11
4 Bus active data receiver timing requirements . . . . .	12
5 Bus park cycle timing . . . . .	12
6 Bus active data transmission timing specification . . . . .	13
7 Requirements for VIO-initiated reset . . . . .	13
8 Application circuit . . . . .	14
9 Pin configuration (top view) . . . . .	15
10 Package outline . . . . .	15
11 Marking . . . . .	15
12 Land pattern and stencil mask . . . . .	16
13 Tape dimensions . . . . .	16

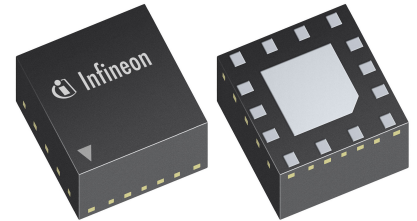
## List of Tables

1 Ordering information . . . . .	5
2 Maximum ratings, Table I . . . . .	6
3 Maximum ratings, Table II . . . . .	7
4 Operation ranges . . . . .	7
5 RF input power . . . . .	7
6 RF characteristics . . . . .	8
7 IMD2 Testcases . . . . .	9
8 IMD3 Testcases . . . . .	9
9 Switching Time . . . . .	9
10 Register mapping . . . . .	10
11 MIPI RFFE operating timing . . . . .	11
12 Truth table . . . . .	13
13 Pin configuration . . . . .	14

# SP8T Diversity Antenna Switch

## 1 Features

- Suitable for multi-mode WCDMA / LTE diversity applications
- Ultra-low insertion loss and harmonics generation
- 8 high-linearity, interchangeable RX ports
- 0.1 to 2.7 GHz coverage
- High port-to-port-isolation
- Direct to battery supply enabled by large supply voltage range from 2.5 V to 5.5 V
- Integrated MIPI RFFE interface supporting 1.2 and 1.8 V bus voltage
- Software programmable MIPI RFFE USID
- No decoupling capacitors required if no DC applied on RF lines
- Small form factor 2.0 mm x 2.0 mm
- 1 kV HBM ESD protection
- RoHS and WEEE compliant package



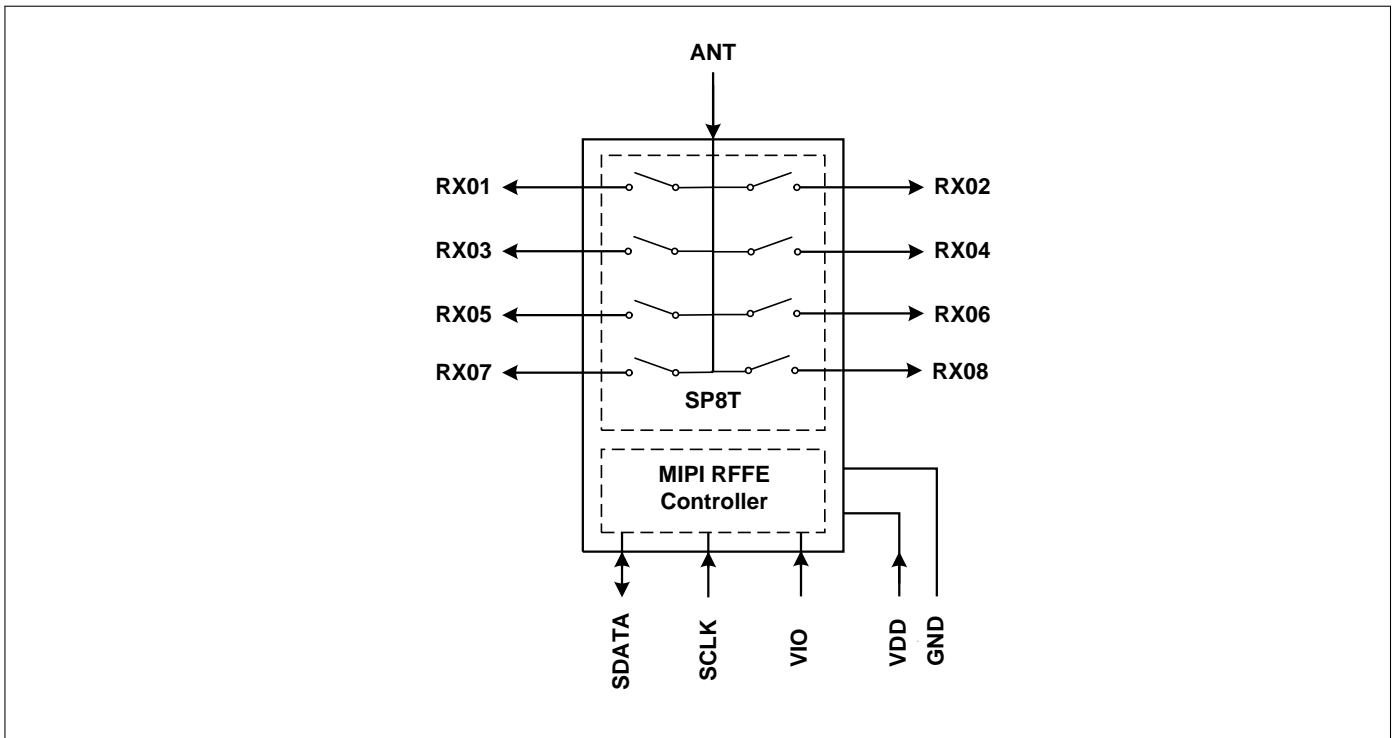
## 2 Product Description

The BGS18MN14 is a Single Pole Eight Throw (SP8T) Diversity Switch Module optimized for wireless applications up to 2.7 GHz. It is a perfect solution for multi-mode handsets based on quadband GSM, WCDMA and LTE. The switch module configuration is shown in Fig. 1. The module comes in a miniature TSNP package and comprises of a high power CMOS SP8T switch with integrated MIPI RFFE interface.

No external DC blocking capacitors are required in typical applications as long as no DC is applied to any RF port.

**Table 1: Ordering Information**

Type	Package	Marking
BGS18MN14	PG-TSNP-14-3	18M2


**Figure 1:** BGS18MN14 block diagram

### 3 Maximum Ratings

**Table 2: Maximum Ratings, Table 1** at  $T_A = 25\text{ }^\circ\text{C}$ , unless otherwise specified

Parameter	Symbol	Values			Unit	Note / Test Condition
		Min.	Typ.	Max.		
Frequency range	$f$	0.1	–	–	GHz	<sup>1)</sup>
Supply voltage	$V_{DD}$	-0.5	–	6.0	V	–
Storage temperature range	$T_{STG}$	-65	–	150	$^\circ\text{C}$	–
Junction temperature	$T_j$	–	–	125	$^\circ\text{C}$	–
RF input power at all RX ports	$P_{RF\_RX}$	–	–	32	dBm	CW
ESD capability, CDM <sup>2)</sup>	$V_{ESDCDM}$	-500	–	+500	V	All pins
ESD capability, HBM <sup>3)</sup>	$V_{ESDHBM}$	-1	–	+1	kV	Digital, digital versus RF
		-1	–	+1	kV	RF
ESD capability, system level <sup>4)</sup>	$V_{ESDANT}$	-8	–	+8	kV	ANT versus system GND, with 27 nH shunt inductor

<sup>1)</sup> Switch has no highpass response. There is also a DC connection between switched paths. The DC voltage at RF ports  $V_{RFDC}$  has to be 0V.

<sup>2)</sup> Field-Induced Charged-Device Model JESD22-C101. Simulates charging/discharging events that occur in production equipment and processes. Potential for CDM ESD events occurs whenever there is metal-to-metal contact in manufacturing.

<sup>3)</sup> Human Body Model ANSI/ESDA/JEDEC JS-001-2012 ( $R = 1.5\text{ k}\Omega$ ,  $C = 100\text{ pF}$ ).

<sup>4)</sup> IEC 61000-4-2 ( $R = 330\text{ }\Omega$ ,  $C = 150\text{ pF}$ ), contact discharge.

**Table 3: Maximum Ratings, Table II** at  $T_A = 25\text{ °C}$ , unless otherwise specified

Parameter	Symbol	Values			Unit	Note / Test Condition
		Min.	Typ.	Max.		
Thermal resistance junction - soldering point	$R_{thJS}$	–	60	–	K/W	–
Maximum DC-voltage on RF ports and RF ground	$V_{RFDC}$	0	–	0	V	No DC voltages allowed on RF ports
RFFE supply voltage	$V_{IO}$	-0.5	–	3.6	V	–
RFFE control voltage levels	$V_{SCLK}$ , $V_{SDATA}$	-0.7	–	$V_{IO}+0.7$	V	–

## 4 Operation Ranges

**Table 4: Operation Ranges**

Parameter	Symbol	Values			Unit	Note / Test Condition
		Min.	Typ.	Max.		
Supply voltage	$V_{DD}$	2.5	3.5	5.5	V	–
Supply current <sup>2)</sup>	$I_{DD}$	–	80	200	$\mu A$	–
Supply current in user low power mode <sup>2)</sup>	$I_{LP}$	-	0.6	10	$\mu A$	–
Supply current in shutdown state <sup>2)</sup>	$I_{SD}$	-	0.5	1	$\mu A$	–
RFFE supply voltage	$V_{IO}$	1.1	1.8	1.95	V	–
RFFE input high voltage <sup>1)</sup>	$V_{IH}$	$0.7 \cdot V_{IO}$	–	$V_{IO}$	V	–
RFFE input low voltage <sup>1)</sup>	$V_{IL}$	0	–	$0.3 \cdot V_{IO}$	V	–
RFFE output high voltage <sup>1)</sup>	$V_{OH}$	$0.8 \cdot V_{IO}$	–	$V_{IO}$	V	–
RFFE output low voltage <sup>1)</sup>	$V_{OL}$	0	–	$0.2 \cdot V_{IO}$	V	–
RFFE control input capacitance	$C_{Ctrl}$	–	–	2	pF	–
RFFE supply current <sup>2)</sup>	$I_{VIO}$	–	15	–	$\mu A$	Idle state
Ambient temperature	$T_A$	-30	25	85	$^{\circ}C$	–

<sup>1)</sup>SCLK and SDATA

<sup>2)</sup> $T_A = -30\text{ °C} \dots +85\text{ °C}$ ,  $V_{DD} = 2.5 \dots 5.5\text{ V}$ 
**Table 5: RF Input Power**

Parameter	Symbol	Values			Unit	Note / Test Condition
		Min.	Typ.	Max.		
RX ports (50 $\Omega$ )	$P_{RF\_RX}$	–	–	27	dBm	–



## 5 RF Characteristics

**Table 6: RF Characteristics** at  $T_A = -30\text{ }^{\circ}\text{C} \dots +85\text{ }^{\circ}\text{C}$ ,  $P_{IN} = 0\text{ dBm}$ ,  $V_{DD} = 2.5 \dots 5.5\text{ V}$ ,  $Z_0 = 50\Omega$ , unless otherwise specified

Parameter	Symbol	Values			Unit	Note / Test Condition
		Min.	Typ.	Max.		
<b>Insertion Loss<sup>1)</sup></b>						
RX01-03, RX06-07	IL	0.20	0.30	0.40	dB	0.1 to 1.0 GHz
		0.40	0.50	0.60	dB	1.0 to 2.0 MHz
		0.50	0.65	0.80	dB	2.0 to 2.7 MHz
<b>Insertion Loss<sup>1)</sup></b>						
RX04, RX05	IL	0.25	0.35	0.45	dB	0.1 to 1.0 GHz
		0.50	0.60	0.70	dB	1.0 to 2.0 MHz
		0.65	0.80	0.95	dB	2.0 to 2.7 MHz
<b>Antenna Return Loss<sup>1)</sup></b>						
RX01-08	RL	19	22	25	dB	0.1 to 1.0 GHz
		14	17	20	dB	1.0 to 2.0 MHz
		11	14	17	dB	2.0 to 2.7 MHz
<b>Port Return Loss<sup>1)</sup></b>						
RX01-08	RL	17	20	23	dB	0.1 to 1.0 GHz
		12	15	18	dB	1.0 to 2.0 MHz
		10	13	16	dB	2.0 to 2.7 MHz
<b>Isolation (ANT-RX)</b>						
RX01-08	ISO	28	40	52	dB	0.1 to 1.0 GHz
		22	32	42	dB	1.0 to 2.0 MHz
		18	29	40	dB	2.0 to 2.7 MHz
<b>Isolation (RX-RX)</b>						
RX01-08	ISO	30	42	54	dB	0.1 to 1.0 GHz
		23	33	43	dB	1.0 to 2.0 MHz
		20	30	40	dB	2.0 to 2.7 MHz
<b>Intermodulation Distortion (UMTS Band 1, Band 5)</b>						
2nd order intermodulation	IMD2 low	–	-105	-95	dBm	IMT, US Cell (see Tab. 7)
3rd order intermodulation	IMD3	–	-105	-100	dBm	IMT, US Cell (see Tab. 8)
2nd order intermodulation	IMD2 high	–	-110	-100	dBm	IMT, US Cell (see Tab. 7)
<b>Harmonic Generation (UMTS Band 1, Band 5)</b>						
H2	$P_{Harm}$	75	85	–	dBc	25 dBm, 50Ω, CW mode
H3	$P_{Harm}$	90	95	–	dBc	25 dBm, 50Ω, CW mode

<sup>1)</sup>On application board with application circuit according to Fig. 8



**Table 7: IMD2 Testcases**

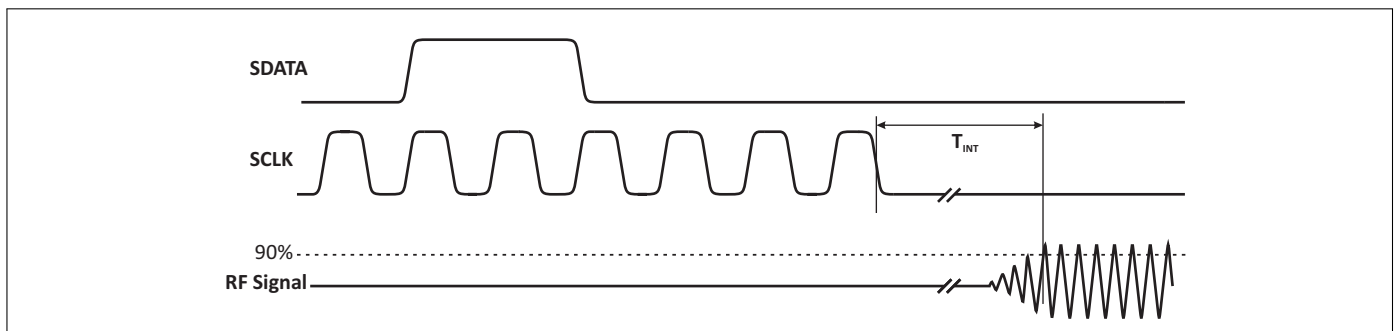
Band	CW tone 1 (MHz)	CW tone 1 (dBm)	CW tone 2 (MHz)	CW tone 2 (dBm)
IMT	1950	20	190 (IMD2 low)	-15
			4090 (IMD2 high)	
US Cell	835	20	45 (IMD2 low)	-15
			1715 (IMD2 high)	

**Table 8: IMD3 Testcases**

Band	CW tone 1 (MHz)	CW tone 1 (dBm)	CW tone 2 (MHz)	CW tone 2 (dBm)
IMT	1950	20	1760	-15
US Cell	835	20	790	-15

**Table 9: Switching Time** at  $T_A = -30\text{ }^{\circ}\text{C} \dots +85\text{ }^{\circ}\text{C}$ ,  $P_{IN} = 0\text{ dBm}$ , Supply Voltage = 2.5 V...2.5 V, unless otherwise specified

Parameter	Symbol	Values			Unit	Note / Test Condition
		Min.	Typ.	Max.		
<b>Switching Time</b>						
MIPI to RF Time	$t_{INT}$	0.5	2	5	$\mu\text{S}$	50 % last SCLK falling edge to 90 % ON, see Fig. 2
Power up settling time	$t_{PUP}$	–	10	25	$\mu\text{S}$	After power down mode



**Figure 2: MIPI to RF Time**

## 6 MIPI RFFE Specification

### Supported MIPI Functions

The MIPI RFFE interface supports following functions:

- Register write command sequence
- Register read command sequence
- Register 0 write command sequence
- Programmable USID
- Trigger function

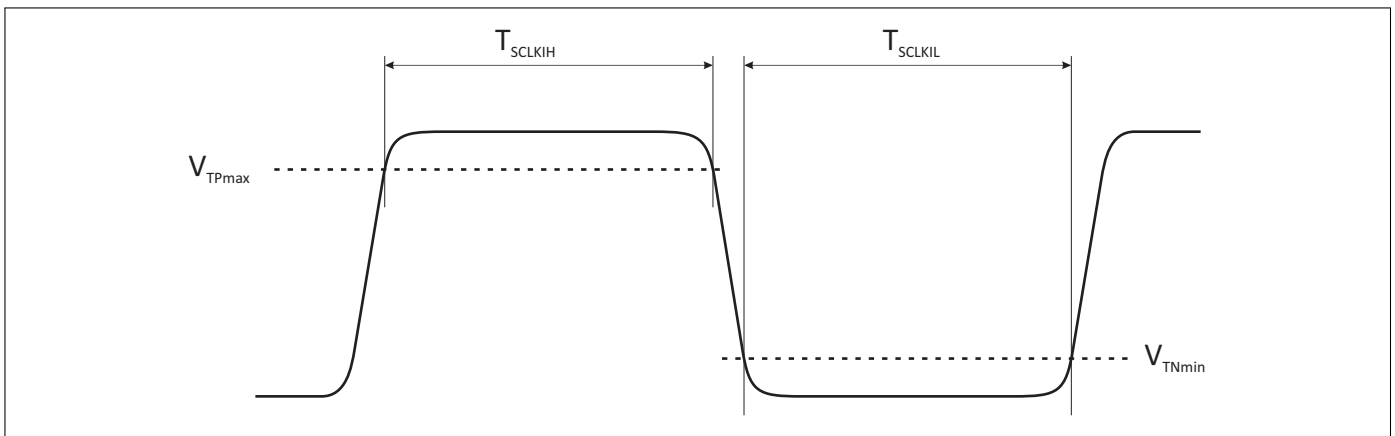
All sequences are implemented according to the 'MIPI Alliance Specification for RF Front-End Control Interface' document version 1.10 - 26. July 2011. By default the device goes into low power mode after power on.

**Table 10: Register Mapping**

Register Address	Register Name	Data Bits	Function	Default	Broadcast Support	Trigger Support	R/W
0x0000	REGISTER_0	7:0	MODE_CTRL	00000000	No	Yes	R/W
0x001C	PM_TRIG	7:6	PWR_MODE	10	Yes	No	R/W
		5	TRIGGER_MASK_2	0	No	No	
		4	TRIGGER_MASK_1	0	No	No	
		3	TRIGGER_MASK_0	0	No	No	
		2	TRIGGER_2	0	Yes	No	
		1	TRIGGER_1	0	Yes	No	
		0	TRIGGER_0	0	Yes	No	
0x001D	PRODUCT_ID	7:0	PRODUCT_ID	10000111	No	No	R
0x001E	MANUFACTURER_ID	7:0	MANUFACTURER_ID [7:0]	00011010	No	No	R
0x001F	MAN_USID	7:6	SPARE	00	No	No	R/W
		5:4	MANUFACTURER_ID [9:8]	01			
		3:0	USID	1010			
0x001B	GROUP_SID	7:4	RESERVED	0	No	No	R/W
		3:0	GROUP_SID	0			

**Table 11: MIPI RFFE Operating Timing**

Parameter	Symbol	Values			Unit	Note / Test Condition
		Min.	Typ.	Max.		
SCLK Frequency	FSCLK	0.032	–	26	MHz	Full speed
		0.032	–	13	MHz	Half speed
SCLK Period	TSCLK	0.038	–	32	$\mu$ s	Full speed
		0.077	–	32	$\mu$ s	Half speed
SCLK Low Period	TSCLKIL	11.25	–	–	ns	Full speed, see Fig. 3
		24	–	–	ns	Half speed, see Fig. 3
SCLK High Period	TSCLKIH	11.25	–	–	ns	Full speed, see Fig. 3
		24	–	–	ns	Half speed, see Fig. 3
SDATA Setup Time	TS	1	–	–	ns	Full speed, see Fig. 4
		2	–	–	ns	Half speed, see Fig. 4
SDATA Hold Time	TH	5	–	–	ns	Full speed, see Fig. 4
		5	–	–	ns	Half speed, see Fig. 4
SDATA Release Time	TSDATAZ	–	–	10	ns	Full speed, see Fig. 5
		–	–	18	ns	Half speed, see Fig. 5
Time for Data Output	TD	–	–	10.25	ns	Full speed, see Fig. 6
		–	–	22	ns	Half speed, see Fig. 6
SDATA Rise/Fall Time	TSDATAOTR	2.1	–	6.5	ns	Full speed, see Fig. 6
		2.1	–	10	ns	Half speed, see Fig. 6
VIO Rise Time	TVIO-R	10	–	450	$\mu$ s	See Fig. 7
VIO Reset Time	TVIO-RST	10	–	–	$\mu$ s	See Fig. 7
Reset Delay Time	TSIGOL	0.12	–	–	$\mu$ s	See Fig. 7


**Figure 3: Received clock signal constraints**

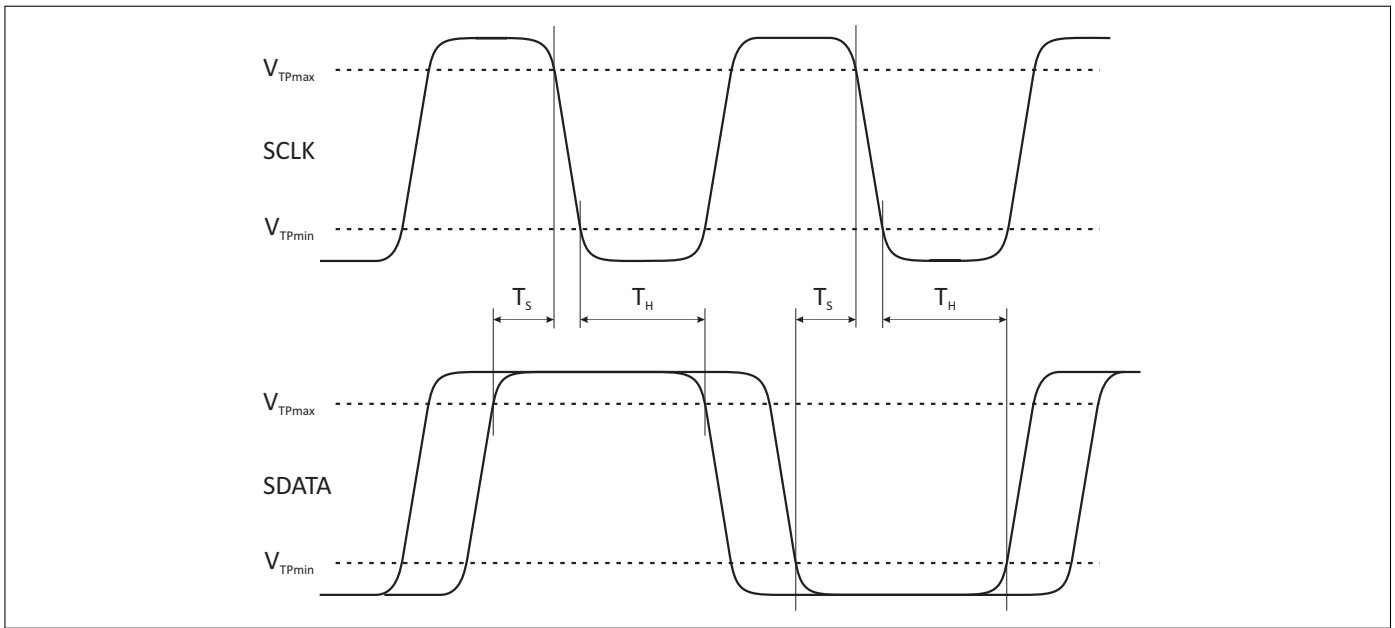


Figure 4: Bus active data receiver timing requirements

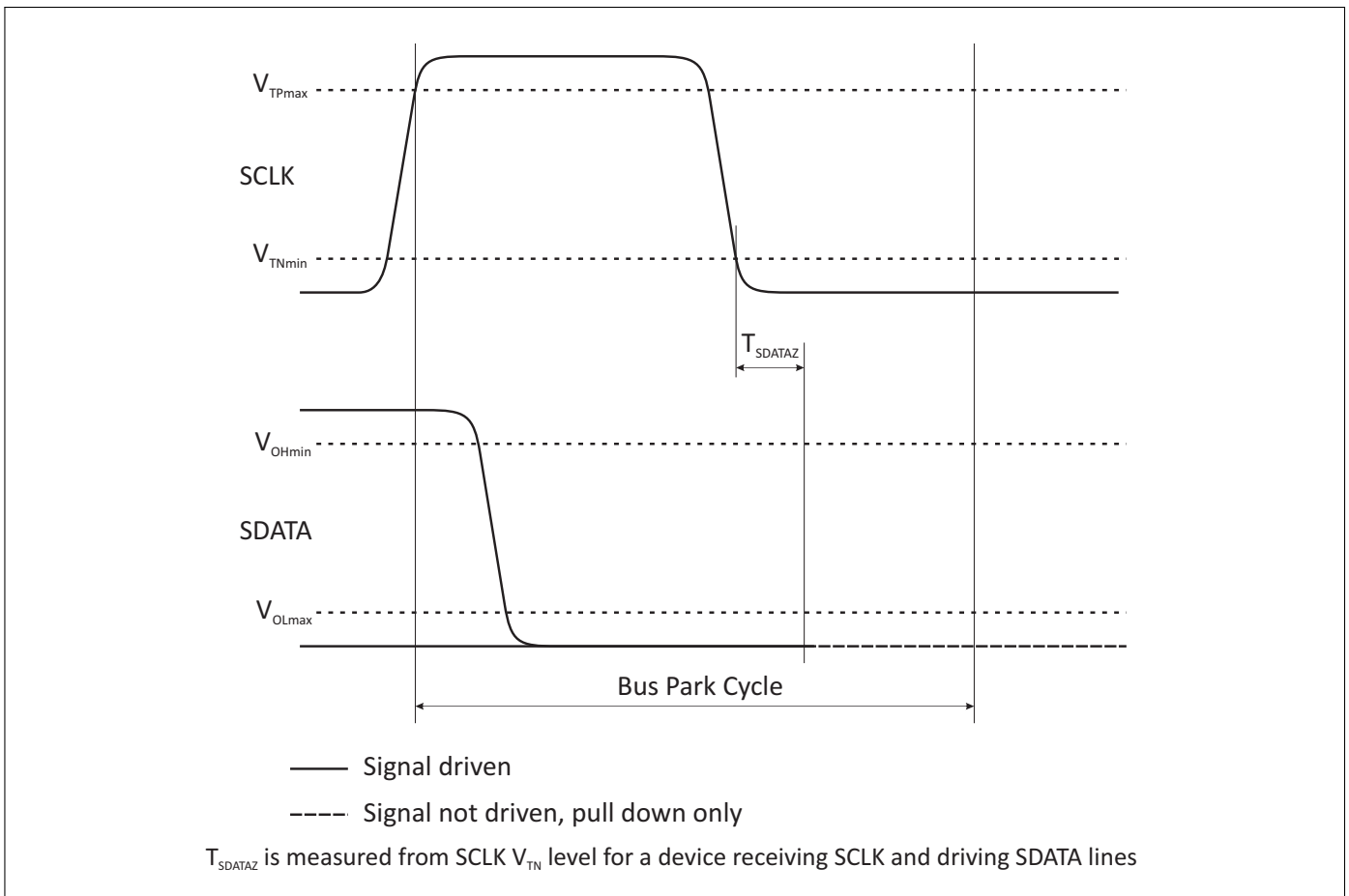


Figure 5: Bus park cycle timing

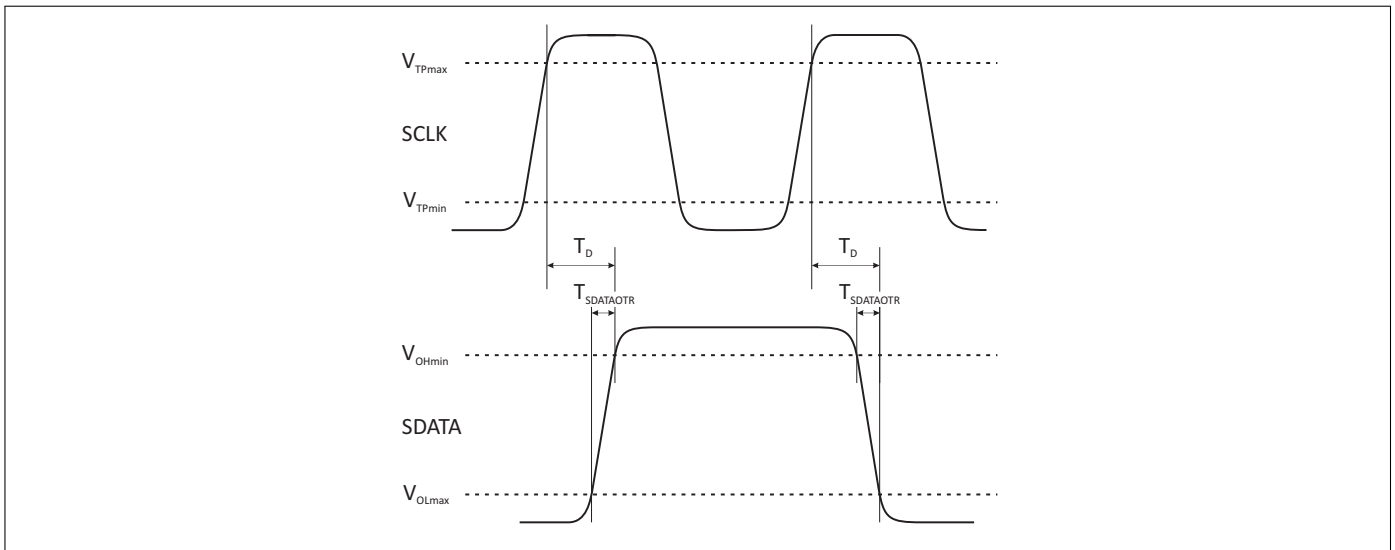


Figure 6: Bus active data transmission timing specification

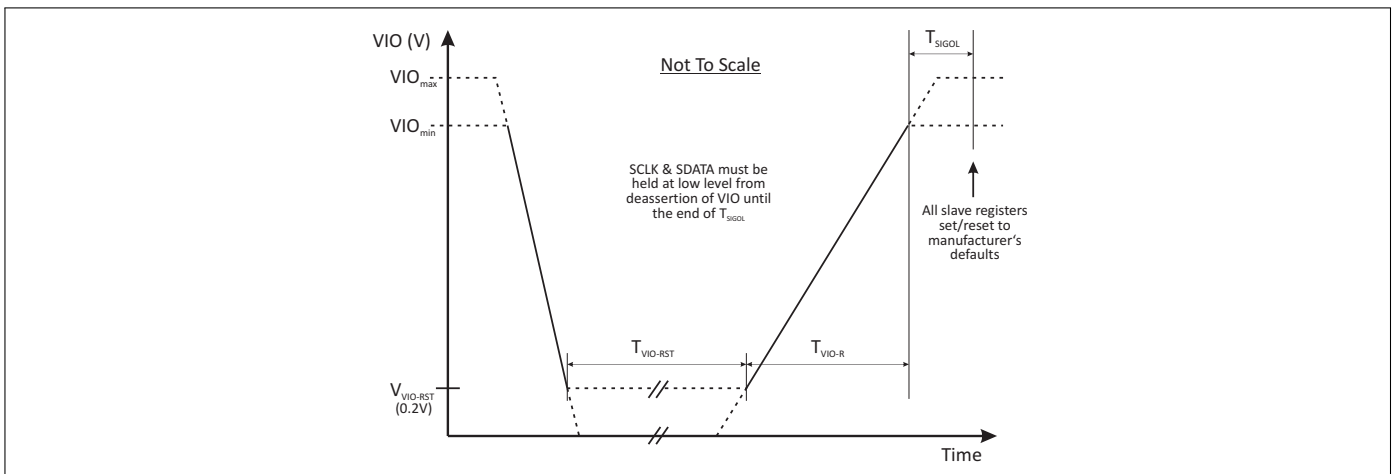


Figure 7: Requirements for VIO-initiated reset

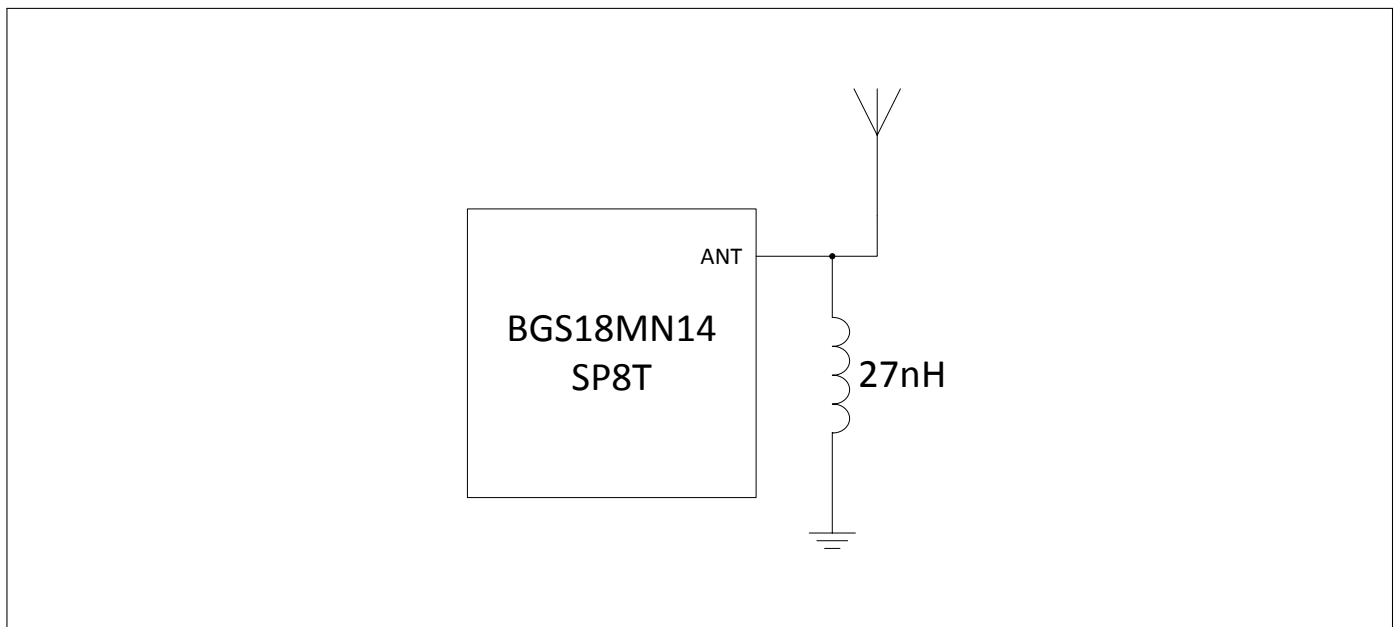
Table 12: Modes of Operation (Truth Table)

State	Mode	REGISTER_0 Bits							
		D7	D6	D5	D4	D3	D2	D1	D0
1	Isolation	x	0	0	0	1	0	0	0
2	RX01	x	0	0	0	0	0	0	0
3	RX02	x	0	0	0	0	0	1	0
4	RX03	x	0	0	0	0	0	0	1
5	RX04	x	0	0	0	0	0	1	1
6	RX05	x	0	0	0	0	1	1	1
7	RX06	x	0	0	0	0	1	0	1
8	RX07	x	0	0	0	0	1	1	0
9	RX08	x	0	0	0	0	1	0	0

## 7 Pin Definition and Package Outline

**Table 13: Pin Configuration**

No.	Name	Pin Type	Buffer Type	Function
0	GND	GND		RF ground; die pad
1	RX03	I/O		RX port 3
2	RX02	I/O		RX port 2
3	RX01	I/O		RX port 1
4	VDD	PWR		$V_{DD}$ supply
5	VIO	PWR		MIPI RFFE supply
6	SDATA	I/O		MIPI RFFE data
7	SCLK	I		MIPI RFFE clock
8	NC			Not connected
9	RX08	I/O		RX port 8
10	RX07	I/O		RX port 7
11	RX06	I/O		RX port 6
12	RX05	I/O		RX port 5
13	ANT	I/O		Antenna port
14	RX04	I/O		RX port 4


**Figure 8:** Application circuit

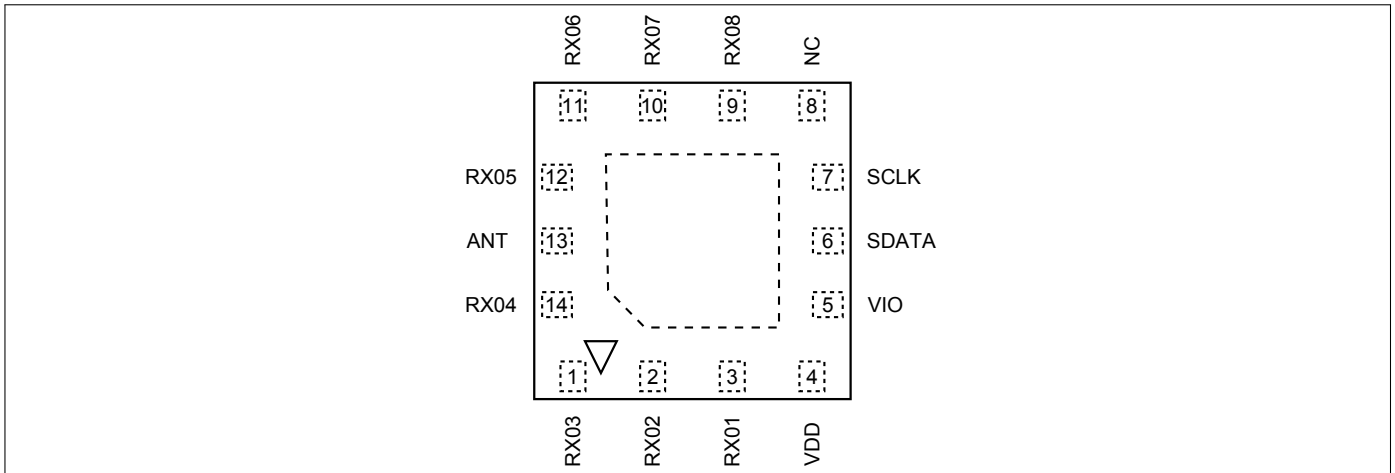


Figure 9: Pin configuration (top view)

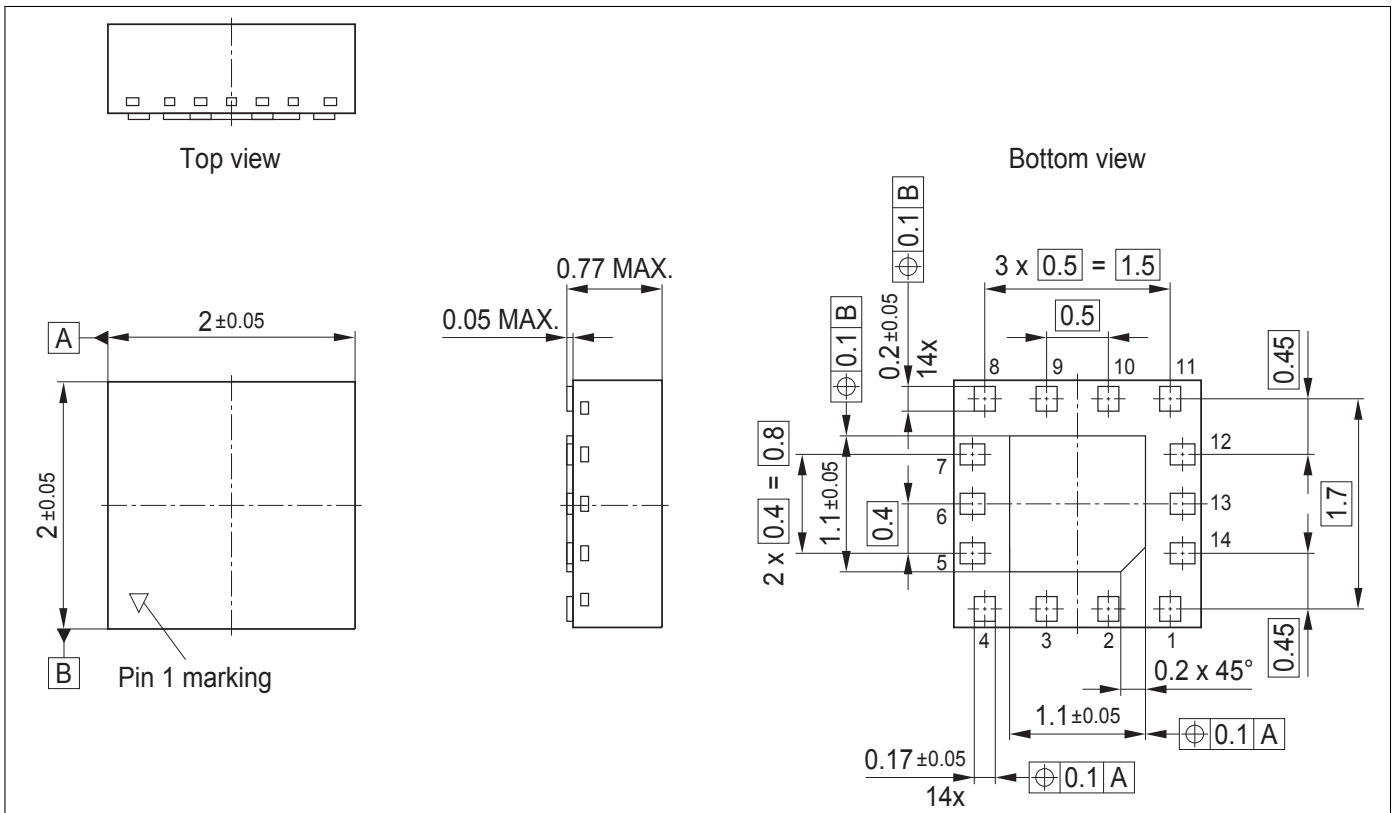


Figure 10: Package outline

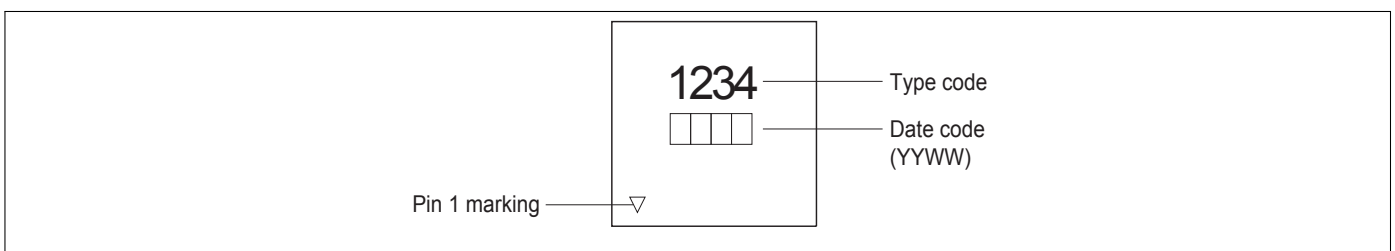


Figure 11: Marking



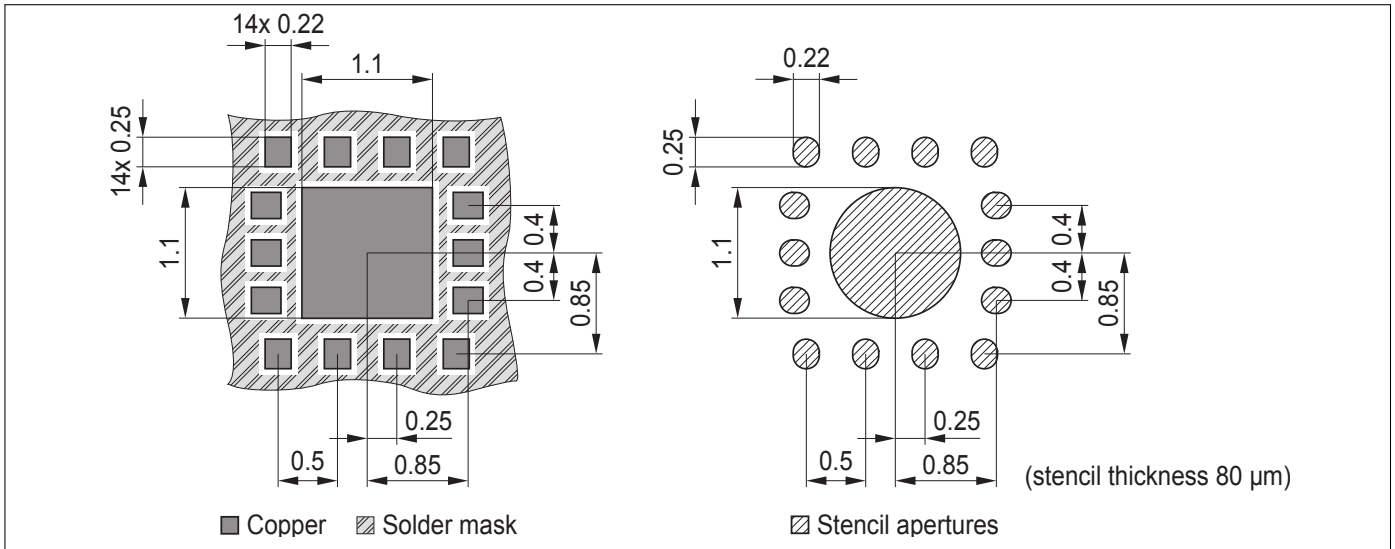


Figure 12: Land pattern and stencil mask

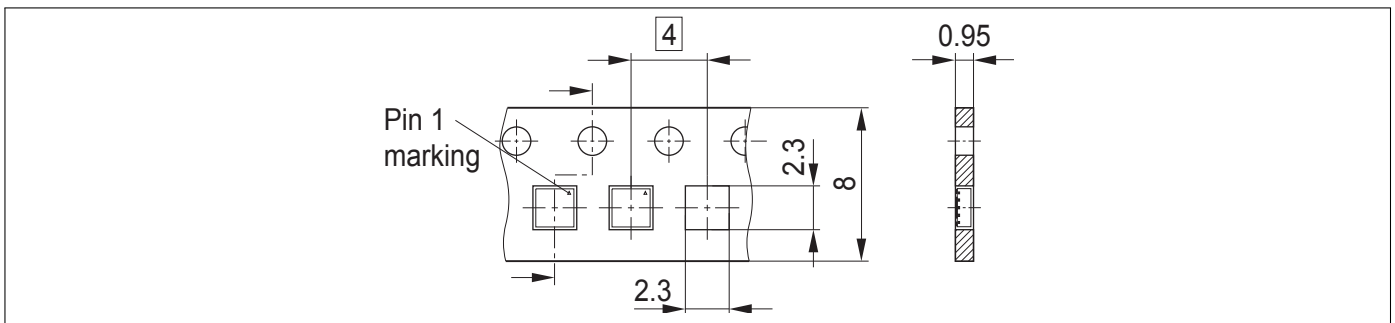


Figure 13: Tape dimensions

[www.infineon.com](http://www.infineon.com)

Published by Infineon Technologies AG