

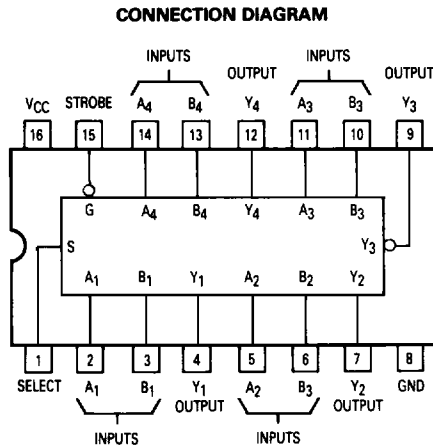


Quad 2-Input Data Selector/Multiplexer with Enable

**ELECTRICALLY TESTED PER:
MIL-M-38510/30904**

The LSTTL/MSI 54LS158 is a high-speed Quad 2-Input Multiplexer. It selects four bits of data from two sources using the common Select and Enable inputs. The four buffered outputs preset the selected data in the inverted form. The 'LS158 can also generate any four of the 16 different functions of two variables. The 'LS158 is fabricated with the Schottky barrier diode process for high speed and is completely compatible with all Motorola TTL families.

- Schottky Process For High-Speed
- Multifunction Capability
- Inverted Outputs
- Input Clamp Diodes Limit High-Speed Termination Effects



6

Military 54LS158



AVAILABLE AS:

1) JAN: JM38510/30904BXA
 2) SMD: 7603301
 3) 883C: 54LS158/BXAJC

X = CASE OUTLINE AS FOLLOWS:
 PACKAGE: CERDIP: E
 CERFLAT: F
 LCC: 2

*Call Factory for latest update

PIN ASSIGNMENTS

FUNCTION	DIL	FLATS	LCC	BURN-IN (CONDITION A)
S	1	1	2	VCC
A ₁	2	2	3	VCC
B ₁	3	3	4	VCC
Y ₁	4	4	5	VCC
A ₂	5	5	7	VCC
B ₂	6	6	8	VCC
Y ₂	7	7	9	VCC
GND	8	8	10	GND
Y ₃	9	9	12	VCC
B ₃	10	10	13	VCC
A ₃	11	11	14	VCC
Y ₄	12	12	15	VCC
B ₄	13	13	17	VCC
A ₄	14	14	18	VCC
G	15	15	19	VCC
VCC	16	16	20	VCC

BURN-IN CONDITIONS:
VCC = 5.0 V MIN/6.0 V MAX

TRUTH TABLE

Enable	Select Inputs	Inputs		Output
G	S	A	B	\bar{Y}
H	X	X	X	H
L	L	L	X	H
L	L	H	X	L
L	H	X	L	H
L	H	X	H	L

H = HIGH Voltage Level
 L = LOW Voltage Level
 X = Don't Care

54LS158

FUNCTIONAL DESCRIPTION

The 'LS158 is a Quad 2-Input Multiplexer fabricated with the Schottky barrier diode process high speed. It selects four bits of data from two sources under the control of a common Select Input (S) and presets the data in inverted form at the four outputs. The Enable Input (G) is Active LOW. When G is HIGH, all of the outputs (Y) are forced HIGH regardless of all other inputs.

The 'LS158 is the logic implementation of a 4-pole, 2-position switch where the position of the switch is deter-

mined by the logic levels supplied to the Select Input.

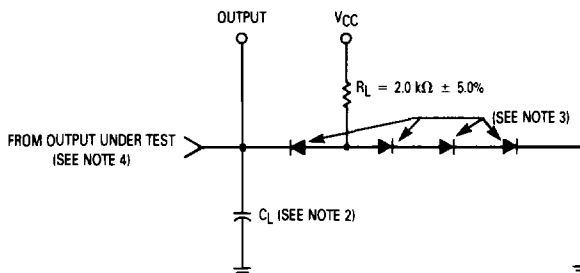
A common use of the 'LS158 is the moving of data from two groups of registers to four common output busses. The particular register from which the data comes is determined by the state of the Select Input. A less obvious use is as a function generator. The 'LS158 can generate four different functions of two variables with one variable common. This is useful for implementing gating functions.

Pin Names		Loading (Note a)	
		HIGH	LOW
S	Common Select Input	1.0 U.L.	0.5 U.L.
G	Enable (Active LOW) Input	1.0 U.L.	0.5 U.L.
A ₁ -A ₄	Data Inputs from Source 0	0.5 U.L.	0.25 U.L.
B ₁ -B ₄	Data Inputs from Source 1	0.5 U.L.	0.25 U.L.
Y ₁ -Y ₄	Multiplexer Outputs (Note b)	10 U.L.	5(2.5) U.L.

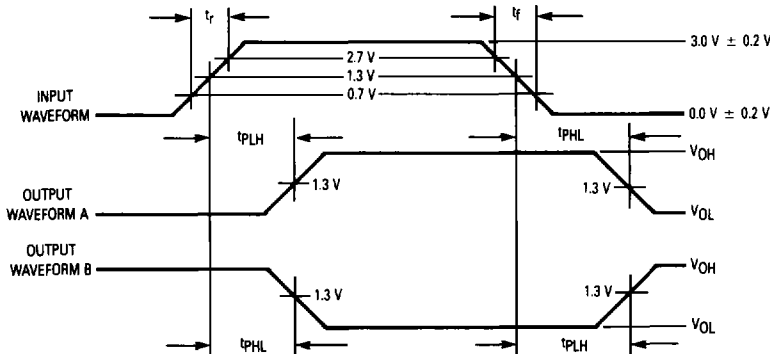
NOTES:

- One TTL Unit Load (U.L.) = 40 μ A HIGH; 1.6 mA LOW.
- The Output LOW drive factor is 2.5 U.L. for Military (54) Temperature Ranges.

AC TEST CIRCUIT



WAVEFORMS



NOTES:

- Input pulse generator has the following characteristics:
 $t_r \leq 15$ ns, $t_f \leq 6.0$ ns, $PRR \leq 1.0$ MHz.
- $C_L = 50$ pF $\pm 10\%$, including scope probe and jig capacitance.
- $R_L = 2.0$ k Ω $\pm 5.0\%$. All diodes are 1N3064 or 1N916.
- Load circuit on a given output is only required where the specific test in table 1 indicates "OUT" on that output.
- Voltage measurements are to be made with respect to network ground terminal.

54LS158

Symbol	Parameter	Limits						Units	Test Condition (Unless Otherwise Specified)
		+ 25°C		+ 125°C		- 55°C			
		Subgroup 1		Subgroup 2		Subgroup 3			
		Min	Max	Min	Max	Min	Max		
V _{OH}	Logical "1" Output Voltage	2.5		2.5		2.5		V	V _{CC} = 4.5 V, I _{OH} = -0.4 mA, G = 2.0 V, other inputs are open.
V _{OL}	Logical "0" Output Voltage		0.4		0.4		0.4	V	V _{CC} = 4.5 V, I _{OL} = 4.0 mA, G = 0.7 V, S = 2.0 V, V _{IN} = 2.0 V, other inputs are open.
V _{IC}	Input Clamping Voltage		-1.5					V	V _{CC} = 4.5 V, I _{IN} = -18 mA, other inputs are open.
I _{IH1}	Logical "1" Input Current		20		20		20	μA	V _{CC} = 5.5 V, V _{IH} = 2.7 V, other inputs are open, S = 5.5 V or GND.
I _{IHH1}	Logical "1" Input Current		100		100		100	μA	V _{CC} = 5.5 V, S = 5.5 V or GND, other inputs are open.
I _{IH2}	Logical "1" Input Current		40		40		40	μA	V _{CC} = 5.5 V, S & G = 2.7 V or GND, other inputs are open.
I _{IHH2}	Logical "1" Input Current		200		200		200	μA	V _{CC} = 5.5 V, S & G = 5.5 V or GND, other inputs are open.
I _{IL}	Logical "0" Input Current	-0.16	-0.4	-0.16	-0.4	-0.16	-0.4	mA	V _{CC} = 5.5 V, V _{IN} = 0.4 V, other input = 5.5 V, S = GND or 5.5 V, G = GND.
I _{IL(S)}	Logical "0" Input Current	-0.23	-0.71	-0.23	-0.71	-0.23	-0.71	mA	V _{CC} = 5.5 V, S = 0.4 V, G = 5.5 V, other inputs are open.
I _{IL(G)}	Logical "0" Input Current	-0.32	-0.8	-0.32	-0.8	-0.32	-0.8	mA	V _{CC} = 5.5 V, S = 5.5 V, G = 0.4 V, other inputs are open.
I _{OS}	Output Short Circuit Current	-15	-100	-15	-100	-15	-100	mA	V _{CC} = 5.5 V, S = open, G = 5.5 V, V _{OUT} = GND, other inputs are open.
I _{CC}	Power Supply Current		8.0		8.0		8.0	mA	V _{CC} = 5.5 V, V _{IN} = 5.5 V (all inputs).
V _{IH}	Logical "1" Input Voltage	2.0		2.0		2.0		V	V _{CC} = 4.5 V.
V _{IL}	Logical "0" Input Voltage		0.7		0.7		0.7	V	V _{CC} = 4.5 V.
	Functional Tests	Subgroup 7		Subgroup 8A		Subgroup 8B			per Truth Table with V _{CC} = 5.0 V, V _{INL} = 0.4 V, and V _{IINH} = 2.5 V.

54LS158

Symbol	Parameter	Limits						Units	Test Condition (Unless Otherwise Specified)
		+ 25°C		+ 125°C		- 55°C			
		Subgroup 9		Subgroup 10		Subgroup 11			
		Min	Max	Min	Max	Min	Max		
tPHL1 tPHL1	Propagation Delay /Data-Output Data to Output	3.0	17 15	3.0	26 21	3.0	26 21	ns ns	V _{CC} = 5.0 V, C _L = 50 pF, R _L = 2.0 kΩ. V _{CC} = 5.0 V, C _L = 15 pF, R _L = 2.0 kΩ.
tPLH1 tPLH1	Propagation Delay /Data-Output Data to Output	3.0	17 12	3.0	26 21	3.0	26 21	ns ns	V _{CC} = 5.0 V, C _L = 50 pF, R _L = 2.0 kΩ. V _{CC} = 5.0 V, C _L = 15 pF, R _L = 2.0 kΩ.
tPHL3 tPHL3	Propagation Delay /Data-Output Enable to Output	3.0	23 24	3.0	35 30	3.0	35 30	ns ns	V _{CC} = 5.0 V, C _L = 50 pF, R _L = 2.0 kΩ. V _{CC} = 5.0 V, C _L = 15 pF, R _L = 2.0 kΩ.
tPLH3 tPLH3	Propagation Delay /Data-Output Enable to Output	3.0	22 17	3.0	33 28	3.0	33 28	ns ns	V _{CC} = 5.0 V, C _L = 50 pF, R _L = 2.0 kΩ. V _{CC} = 5.0 V, C _L = 15 pF, R _L = 2.0 kΩ.
tPHL5 tPHL5	Propagation Delay /Data-Output Select to Output	3.0	29 24	3.0	44 39	3.0	44 39	ns ns	V _{CC} = 5.0 V, C _L = 50 pF, R _L = 2.0 kΩ. V _{CC} = 5.0 V, C _L = 15 pF, R _L = 2.0 kΩ.
tPLH5 tPLH5	Propagation Delay /Data-Output Select to Output	3.0	25 20	3.0	38 33	3.0	38 33	ns ns	V _{CC} = 5.0 V, C _L = 50 pF, R _L = 2.0 kΩ. V _{CC} = 5.0 V, C _L = 15 pF, R _L = 2.0 kΩ.

NOTE:

1. The limits specified for C_L = 15 pF are guaranteed but not tested.