



High Speed CMOS 8-Bit Register with Asynchronous Reset

QS54/74FCT273T

QS54/74FCT2273T

FEATURES/BENEFITS

- Pin and function compatible to the 74F273, 74FCT273 and 74ABT273
- CMOS power levels: <7.5 mW static
- Available in DIP, SOIC, QSOP, ZIP, HQSOP
- Undershoot clamp diodes on all inputs
- TTL-compatible input and output levels
- Ground bounce controlled outputs
- Reduced output swing of 0-3.5V
- Military product compliant to MIL-STD-883

FCT-T 273T

- JEDEC-FCT spec compatible
- Fastest CMOS logic family available
- Std, A, C & D speed grades with 4.4 ns t_{PD} for D
- $I_{OL} = 48$ mA Com., 32 mA Mil.

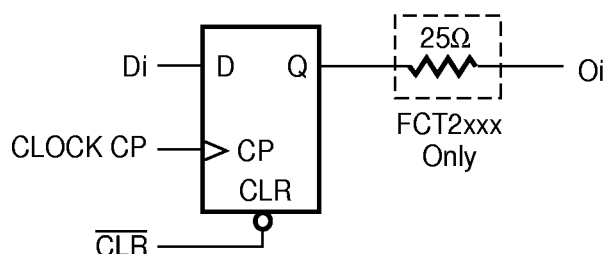
FCT-T 2273T

- Built-in 25Ω series resistor outputs reduce reflection and other system noise
- Std. thru D speed grades with 5.0 ns t_{PD} for D
- $I_{OL} = 12$ mA Com.

DESCRIPTION

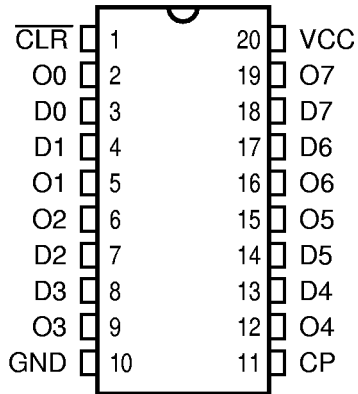
The QSFCT273T and QSFCT2273T are high-speed CMOS TTL-compatible registers with an asynchronous reset input. They are 8-bit registers with a buffered common clock and a buffered output drive. The QSFCT2273T is a 25Ω resistor output version useful for driving transmission lines and reducing system noise. Data is stored in the register on the rising edge of the clock. The high output current I_{OL} and I_{OH} drive high capacitance loads. All inputs have clamp diodes for undershoot noise suppression. All outputs have ground bounce suppression (see QSI Application Note AN-001), and outputs will not load an active bus when V_{CC} is removed from the device.

FUNCTIONAL BLOCK DIAGRAM

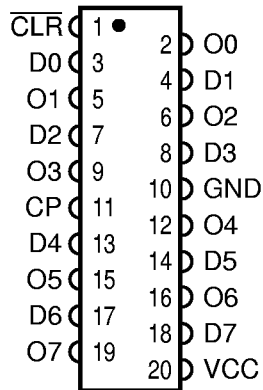


PIN CONFIGURATIONS (All Pins Top View)

PDIP, SOIC, QSOP, HQSOP



ZIP



PIN DESCRIPTION

Name	I/O	Description
Di	I	Data Inputs
O _i	O	Data Outputs
CP	I	Clock Input
$\overline{\text{CLR}}$	I	Clear Input

FUNCTION TABLE

$\overline{\text{CLR}}$	Inputs		Internal Q Value	Outputs O _i	Function
	CP	Di			
L	X	X	L	L	Clear Register
H	↑	L	L	L	Load Input Data
H	↑	H	H	H	Load Input Data

ABSOLUTE MAXIMUM RATINGS

Supply Voltage to Ground	-0.5V to +7.0V
DC Output Voltage V_{OUT}	-0.5V to +7.0V
DC Input Voltage V_{IN}	-0.5V to +7.0V
AC Input Voltage (for a pulse width ≤ 20 ns)	-3.0V
DC Input Diode Current with $V_{IN} < 0$	-20 mA
DC Output Diode Current with $V_{OUT} < 0$	-50 mA
DC Output Current Max. Sink Current/Pin	120 mA
Maximum Power Dissipation	0.5 watts
T_{STG} Storage Temperature	-65° to +150°C

Note: Stresses greater than those listed under ABSOLUTE MAXIMUM RATINGS may cause permanent damage to QSI devices that result in functional or reliability type failures.

CAPACITANCE

$T_A = 25^\circ\text{C}$, $f = 1$ MHz, $V_{IN} = 0\text{V}$, $V_{OUT} = 0\text{V}$

Pins	SOIC	QSOP	PDIP	ZIP	Unit
1,3,4,7,8,11,12,3,14,17,18	4	4	5	7	pF
2,5,6,9,12,15,16,19	6	6	7	9	pF
—	8	8	9	10	pF

Note: Capacitance is characterized but not tested.

POWER SUPPLY CHARACTERISTICS

Symbol	Parameter	Test Conditions ⁽¹⁾	Min	Max	Unit
I_{CC}	Quiescent Power Supply Current	$V_{CC} = \text{Max.}$, $\text{freq} = 0$ $0\text{V} \leq V_{IN} \leq 0.2\text{V}$ or $V_{CC}-0.2\text{V} \leq V_{IN} \leq V_{CC}$	—	1.5	mA
ΔI_{CC}	Supply Current per Input @ TTL HIGH	$V_{CC} = \text{Max.}$, $V_{IN} = 3.4\text{V}$, $\text{freq} = 0$ ⁽²⁾	—	2.0	mA
Q_{CCd}	Supply Current per Input per MHz	$V_{CC} = \text{Max.}$, Outputs Open and Enabled One Bit Toggling @ 50% Duty Cycle Other Inputs at GND or V_{CC} ^(3,4)	—	0.25	mA/ MHz

Notes:

- For conditions shown as Min. or Max., use the appropriate values specified under DC specifications.
- Per TTL driven input ($V_{IN} = 3.4\text{V}$).
- For flip-flops, Q_{CCd} is measured by switching one of the data input pins so that the output changes every clock cycle. This is a measurement of device power consumption only and does not include power to drive load capacitance or tester capacitance. This parameter is guaranteed by design but not tested.
- I_{CC} can be computed using the above parameters as explained in the Technical Overview section.

DC ELECTRICAL CHARACTERISTICS OVER OPERATING RANGE

Commercial $T_A = 0^\circ\text{C}$ to 70°C , $V_{CC} = 5.0\text{V} \pm 5\%$

Military $T_A = -55^\circ\text{C}$ to 125°C , $V_{CC} = 5.0\text{V} \pm 10\%$

Symbol	Parameter	Test Conditions	Min	Typ ⁽¹⁾	Max	Unit
V_{IH}	Input HIGH Voltage	Logic HIGH for All Inputs	2.0	—	—	V
V_{IL}	Input LOW Voltage	Logic LOW for All Inputs	—	—	0.8	V
ΔV_T	Input Hysteresis	$V_{TLH} - V_{THL}$ for All Inputs	—	0.2	—	V
$ I_{IH} $ $ I_{IL} $	Input Current Input HIGH or LOW	$V_{CC} = \text{Max.}, 0 \leq V_{IN} < V_{CC}$	—	—	5	μA
I_{OS}	Short Circuit Current (FCTXXX)	$V_{CC} = \text{Max.}, V_{OUT} = \text{GND}^{(2,3)}$	-60	—	—	mA
I_{OR}	Current Drive (FCT2XXX – 25 Ω)	$V_{CC} = \text{Min.}, V_{OUT} = 2.0\text{V}^{(3)}$	50	—	—	mA
V_{IC}	Input Clamp Voltage	$V_{CC} = \text{Min.}, I_{IN} = -18 \text{ mA}, T_A = 25^\circ\text{C}^{(3)}$	—	-0.7	-1.2	V
V_{OH}	Output HIGH Voltage	$V_{CC} = \text{Min.}$ $I_{OH} = -12 \text{ mA (MIL)}$ $I_{OH} = -15 \text{ mA (COM)}$	2.4 2.4	— —	— —	V
V_{OL}	Output LOW Voltage (FCTXXX)	$V_{CC} = \text{Min.}$ $I_{OL} = 32 \text{ mA (MIL)}$ $I_{OL} = 48 \text{ mA (COM)}$	— —	— —	0.50 0.50	V
V_{OL}	Output LOW Voltage (FCT2XXX – 25 Ω)	$V_{CC} = \text{Min.}$ $I_{OL} = 12 \text{ mA (MIL)}$ $I_{OL} = 12 \text{ mA (COM)}$	— —	— —	0.50 0.50	V
R_{OUT}	Output Resistance (FCT2XXX – 25 Ω)	$V_{CC} = \text{Min.}$ $I_{OL} = 12 \text{ mA (MIL)}$ $I_{OL} = 12 \text{ mA (COM)}$	— 20	25 28	— 40	Ω

Notes:

1. Typical values indicate $V_{CC} = 5.0\text{V}$ and $T_A = 25^\circ\text{C}$.
2. Not more than one output should be shorted and the duration is ≤ 1 second.
3. These parameters are guaranteed by design but not tested.

QSFCT273T, 2273T

SWITCHING CHARACTERISTICS OVER OPERATING RANGE

Commercial T_A = 0°C to 70°C, V_{CC} = 5.0V ± 5%

Military T_A = -55°C to 125°C, V_{CC} = 5.0V ± 10%

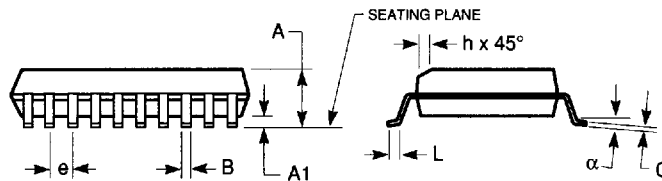
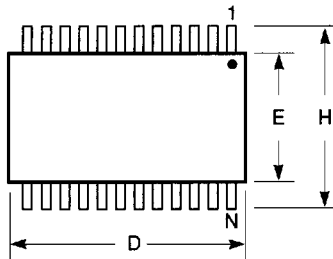
C_{LOAD} = 50 pF, R_{LOAD} = 500Ω unless otherwise noted.

Symbol	Description ⁽¹⁾		273 2273		273A 2273A		273C 2273C		273D 2273D		Unit
			Min	Max	Min	Max	Min	Max	Min	Max	
t _{PHL}	Propagation Delay	COM	2	13	2	7.2	2	5.2	1.5	4.4	ns
t _{PLH}	CP, $\overline{\text{CLR}}$ to O _i (273)	MIL	2	15	2	8.3	—	—	—	—	
t _{PHL}	Propagation Delay	COM	2	13	2	7.2	2	5.2	1.5	5.0	ns
t _{PLH}	CP, $\overline{\text{CLR}}$ to O _i (2273)	MIL	2	15	2	8.3	—	—	—	—	
t _s	Data Setup Time	COM	3	—	2	—	1.5	—	1.5	—	ns
	D _i to CP	MIL	3.5	—	2	—	—	—	—	—	
t _H	Data Hold Time Time	COM	2	—	1.5	—	1	—	1	—	ns
	D _i to CP	MIL	2	—	1.5	—	—	—	—	—	
t _{WCP}	Clock Pulse Width	COM ⁽²⁾	7	—	6	—	4	—	3	—	ns
	HIGH or LOW	MIL ⁽²⁾	7	—	6	—	—	—	—	—	
t _{WCLR}	$\overline{\text{CLR}}$ Pulse Width	COM ⁽²⁾	7	—	6	—	5	—	3	—	ns
	HIGH or LOW	MIL ⁽²⁾	7	—	6	—	—	—	—	—	
t _{REC}	$\overline{\text{CLR}}$ Recovery Time	COM ⁽²⁾	4	—	2	—	1.5	—	1.5	—	ns
	$\overline{\text{CLR}}$ to CP	MIL ⁽²⁾	5	—	2.5	—	—	—	—	—	

Notes:

1. Minimums guaranteed but not tested for all parameters except t_s and t_H.
2. This parameter is guaranteed by design but not tested.
3. See Test Circuit and Waveforms.

300-MIL SOIC - Package Code SO
Plastic Small Outline Gull-Wing



Notes:

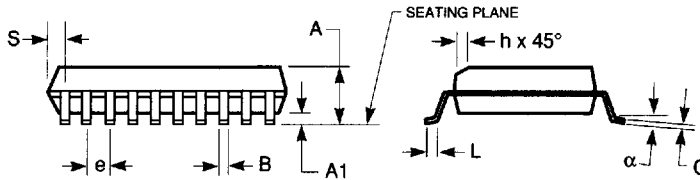
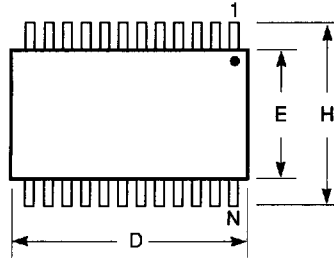
1. Refer to applicable symbol list.
2. All dimensions are in inches.
3. N is the number of lead positions.
4. Dimensions D and E are to be measured at maximum material condition but do not include mold flash. Allowable mold flash is 0.006in. per side.
5. Lead coplanarity is 0.004in. maximum.

JEDEC#	MS-013AA		MS-013AC		MS-013AD		MS-013AE	
DWG#	PS16A		PS20A		PS24A		PS28A	
Symbol	Min	Max	Min	Max	Min	Max	Min	Max
A	0.096	0.104	0.096	0.104	0.096	0.104	0.096	0.104
A1	0.005	0.011	0.005	0.011	0.005	0.011	0.005	0.011
B	0.014	0.019	0.014	0.019	0.014	0.019	0.014	0.019
C	0.009	0.012	0.009	0.012	0.009	0.012	0.009	0.012
D	0.402	0.412	0.500	0.510	0.602	0.612	0.701	0.711
E	0.292	0.299	0.292	0.299	0.292	0.299	0.292	0.299
e	0.044	0.056	0.044	0.056	0.044	0.056	0.044	0.056
H	0.396	0.416	0.396	0.416	0.396	0.416	0.396	0.416
h	0.010	0.016	0.010	0.016	0.010	0.016	0.010	0.016
L	0.020	0.040	0.020	0.040	0.020	0.040	0.020	0.040
N	16		20		24		28	
α	0°	8°	0°	8°	0°	8°	0°	8°

7466803 0003749 900

150-MIL QSOP - Package Code Q

**Quarter-Size Outline Package
Plastic Small Outline Gull-Wing**



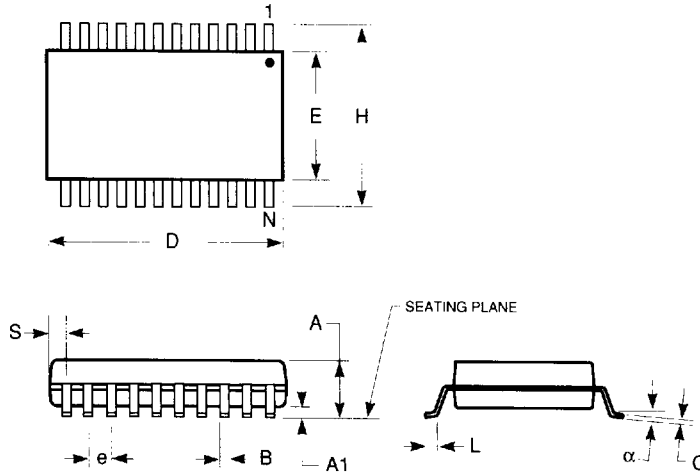
Notes:

1. Refer to applicable symbol list.
2. All dimensions are in inches.
3. N is the number of lead positions.
4. Dimensions D and E are to be measured at maximum material condition but do not include mold flash. Allowable mold flash is 0.006in. per side.
5. Lead coplanarity is 0.004in. maximum.

JEDEC#	MO-137AB			MO-137AD			MO-137AE			MO-137AF		
DWG#	PSS-16A			PSS-20A			PSS-24A			PSS-28A		
Symbol	Min	Nom	Max	Min	Nom	Max	Min	Nom	Max	Min	Nom	Max
A	0.060	0.064	0.068	0.060	0.064	0.068	0.060	0.064	0.068	0.060	0.064	0.068
A1	0.004	0.006	0.008	0.004	0.006	0.008	0.004	0.006	0.008	0.004	0.006	0.008
B	0.009	0.010	0.012	0.009	0.010	0.012	0.009	0.010	0.012	0.009	0.010	0.012
C	0.007	0.008	0.010	0.007	0.008	0.010	0.007	0.008	0.010	0.007	0.008	0.010
D	0.189	0.193	0.197	0.337	0.341	0.344	0.337	0.341	0.344	0.386	0.390	0.394
E	0.150	0.154	0.157	0.150	0.154	0.157	0.150	0.154	0.157	0.150	0.154	0.157
e	0.025 BSC			0.025 BSC			0.025 BSC			0.025 BSC		
H	0.230	0.236	0.244	0.230	0.236	0.244	0.230	0.236	0.244	0.230	0.236	0.244
h	0.010	0.013	0.016	0.010	0.013	0.016	0.010	0.013	0.016	0.010	0.013	0.016
L	0.016	0.025	0.035	0.016	0.025	0.035	0.016	0.025	0.035	0.016	0.025	0.035
N	16			20			24			28		
alpha	0°	5°	8°	0°	5°	8°	0°	5°	8°	0°	5°	8°
S	0.006	0.009	0.010	0.056	0.058	0.060	0.031	0.033	0.035	0.031	0.033	0.035

7466803 0003751 569
QUALITY SEMICONDUCTOR, INC.

150-MIL HQSOP - Package Code H
Hermetic Quarter-Size Outline Package
Ceramic Small Outline Gull-Wing



JEDEC#	TBD			TBD		
DWG#	HSS-20A			HSS-24A		
Symbol	Min	Nom	Max	Min	Nom	Max
A	0.070	0.074	0.078	0.070	0.074	0.078
A1	0.008	0.012	0.016	0.008	0.012	0.016
B	0.009	0.010	0.012	0.009	0.010	0.012
C	0.007	0.008	0.010	0.007	0.008	0.010
D	0.337	0.342	0.350	0.337	0.342	0.350
E	0.150	0.155	0.158	0.150	0.155	0.158
e	0.025 BSC			0.025 BSC		
H	0.230	0.236	0.244	0.230	0.236	0.244
L	0.016	0.025	0.035	0.016	0.025	0.035
N	20			24		
α	0°	5°	8°	0°	5°	8°
S	0.056	0.058	0.062	0.031	0.033	0.037

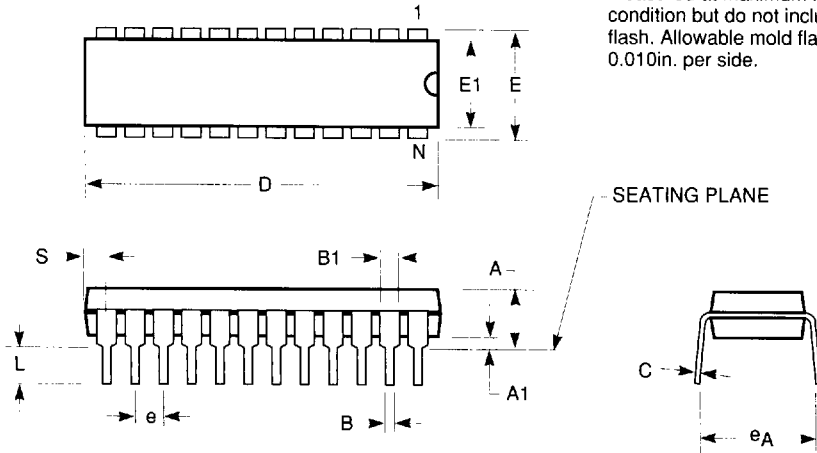
Notes:

1. Refer to applicable symbol list.
2. All dimensions are in inches.
3. N is the number of lead positions.
4. Dimensions D and E are to be measured at maximum material condition.
5. Lead coplanarity is 0.004in. maximum.

300-MIL PDIP - Package Code P
Plastic Dual In-line Package

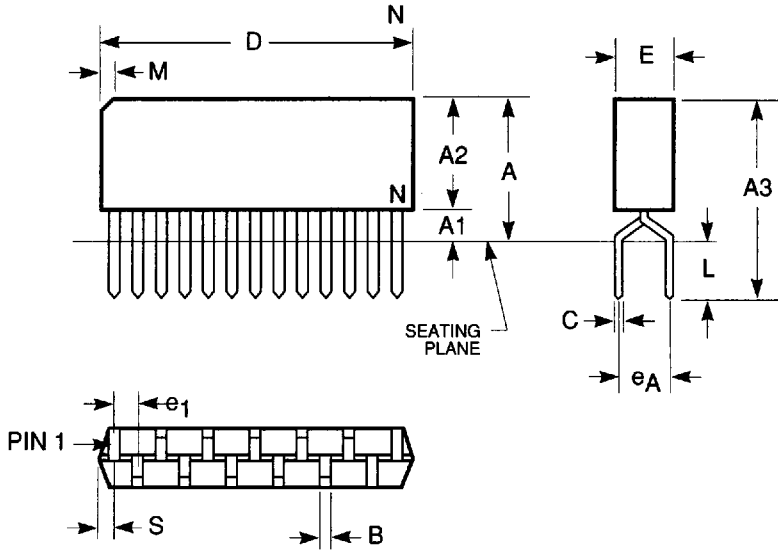
Notes:

1. Refer to applicable symbol list.
2. All dimensions are in inches.
3. N is the number of lead positions.
4. Dimensions D and E1 are to be measured at maximum material condition but do not include mold flash. Allowable mold flash is 0.010in. per side.



JEDEC#	MS-001AC		MS001AA		MS-001AE		N/A		MS-001AF		MO-095AH	
DWG#	PD14A		PD16A		PD20A		PT22B		PT24A		PT28A	
Symbol	Min	Max	Min	Max	Min	Max	Min	Max	Min	Max	Min	Max
A	0.130	0.170	0.130	0.170	0.130	0.170	0.130	0.170	0.130	0.170	0.130	0.180
A1	0.015	0.040	0.015	0.040	0.015	0.040	0.015	0.040	0.015	0.040	0.015	0.040
B	0.016	0.020	0.016	0.020	0.016	0.020	0.016	0.020	0.016	0.020	0.016	0.020
B1	0.045	0.070	0.045	0.070	0.045	0.070	0.045	0.070	0.045	0.070	0.045	0.060
C	0.009	0.012	0.009	0.012	0.009	0.012	0.009	0.012	0.009	0.012	0.009	0.012
D	0.745	0.765	0.745	0.765	1.020	1.040	1.020	1.040	1.150	1.260	1.345	1.385
E	0.300	0.325	0.300	0.325	0.300	0.325	0.300	0.325	0.300	0.325	0.300	0.325
E1	0.240	0.270	0.240	0.270	0.240	0.270	0.240	0.270	0.250	0.280	0.275	0.295
e	0.090	0.110	0.090	0.110	0.090	0.110	0.090	0.110	0.090	0.110	0.090	0.110
e _A	0.310	0.380	0.310	0.380	0.310	0.380	0.310	0.380	0.310	0.380	0.310	0.380
L	0.120	0.140	0.120	0.140	0.120	0.140	0.120	0.140	0.120	0.140	0.120	0.140
S	0.070	0.080	0.020	0.035	0.060	0.070	0.010	0.020	0.025	0.080	0.020	0.040
N	14		16		20		22		24		28	

300-MIL ZIP - Package Code Z
Zig-zag In-line Packages



JEDEC#	MO-072AB		MO-072AC		MO-072AD	
DWG#	PZ20A		PZ24A		PZ28A	
Symbol	Min	Max	Min	Max	Min	Max
A	0.350	0.400	0.350	0.400	0.350	0.400
A1	0.030	0.070	0.030	0.070	0.032	0.055
A2	0.280	0.340	0.320	0.350	0.335	0.345
A3	0.450	0.550	0.450	0.550	0.460	0.550
B	0.015	0.024	0.015	0.024	0.015	0.024
C	0.008	0.012	0.008	0.012	0.008	0.012
D	1.008	1.030	1.200	1.250	1.409	1.424
E	0.100	0.120	0.100	0.120	0.110	0.120
e1	0.050 BSC		0.050 BSC		0.050 BSC	
eA	0.100 BSC		0.100 BSC		0.100 BSC	
L	0.100	0.150	0.100	0.150	0.110	0.150
M	0.035	0.085	0.035	0.085	0.035	0.085
N	20		24		28	
S	0.018	0.032	0.018	0.032	0.025	0.038

Notes:

1. Refer to applicable symbol list.
2. All dimensions are in inches.
3. N is the number of lead positions.
4. Dimensions D and E are to be measured at maximum material condition but do not include mold flash. Allowable mold flash is 0.010in. per side.