

FAIRCHILD DIGITAL

CMOS

LATCHES/FLIP-FLOPS

Item	Function	DEVICE NO.	Data Inputs	Common Clear	Enable/Clock Inputs (Level)	Required Enable/Clock Pulse Width-ns (Typ) VDD = 10V	Enable/Clock to Q Delay-ns (Typ) VDD = 10V	Logic/Connection Diagram	Package(s)
1	Dual JK Flip-Flop	4027B	JK	RS	H	35	45	C21	4L,6B,9B
2	Dual D Flip-Flop	4013B	D	RS	H	30	38	C22	3I,6A,9A
3	Quad D Flip-Flop	40175B	D	X	H	10	35	C23	4L,6B,9B
4	Quad D Flip-Flop w/3-State Outputs	4076B	D	MR	L	35	35	C110	4L,6B,9B
5	Hex D Flip-Flop	40174B	D	X	H	10	35	C24	4L,6B,9B
6	4-Bit Latch	4042B	D	—	H	16	66	C25	4L,6B,9B
7	4-Bit Latch	4043B	RS	RS	H	14	30	C26	4L,6B,9B
8	4-Bit Latch	4044B	RS	RS	H	14	30	C27	4L,6B,9B
9	Dual 4-Bit Address Latch	4723B	D	X	L	20	50	C28	4L,6B,9B
10	8-Bit Address Latch	4724B	D	X	L	20	40	C29	4L,6B,9B
11	BCD-to-7-Seg Latch/Decoder/Dvr	4511B	D	X	L	14	90	C111	4L,6B,9B
12	BCD-to-7-Seg Latch/Decoder/Dvr for Liquid Crystal	4543B	D	X	H	40	200	C112	4L,6B,9B
13	BCD-to-7-Seg Latch/Decoder Dvr w/Ripple Blanking	4734B	D	X	L	14	90	C114	7D,9M

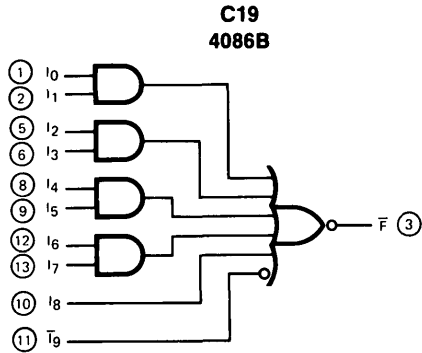
MULTIPLEXERS

Item	Function	DEVICE NO.	Enable Inputs	True Output	Select Delay ns (Typ) VDD = 10V	Enable Delay ns (Typ) VDD = 10V	Data Delay ns (Typ) VDD = 10V	Logic/Connection Diagram	Package(s)
14	Quad 2-Input	4019B	—	X	37	—	37	C30	4L,6B,9B
15	Quad 2-Input	4519B	—	X	50	—	50	C31	4L,6B,9B
16	Dual 4-Input	4539B	X	X	88	53	71	C32	4L,6B,9B
17	Single 8-Input	4512B	X	3-State	85	45	75	C33	4L,6B,9B

9

FAIRCHILD LOGIC/CONNECTION DIAGRAMS

DIGITAL-CMOS

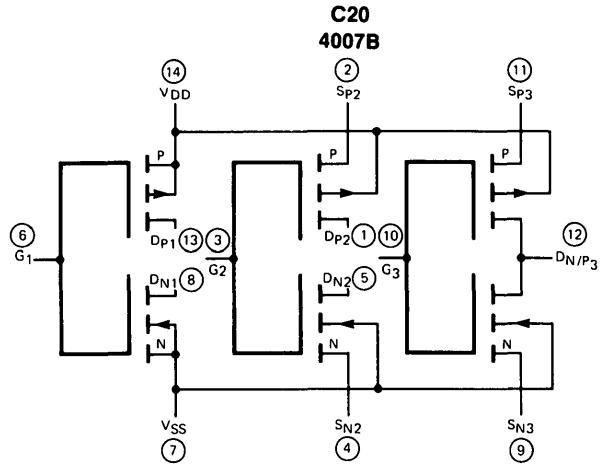


$$\bar{F} = I_0 \cdot I_1 + I_2 \cdot I_3 + I_4 \cdot I_5 + I_6 \cdot I_7 + I_8 + I_9$$

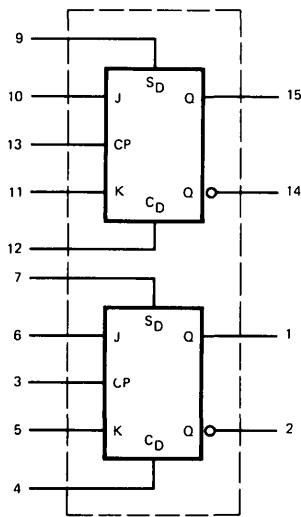
NOTE

A HIGH on I₈ or a LOW on I₉ forces the output (F) LOW

V_{DD} = Pin 14 V_{SS} = Pin 7 NC = Pin 4

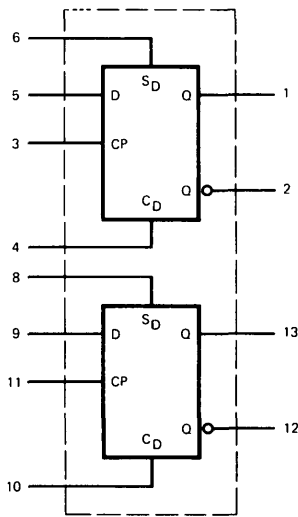


**C21
4027B**



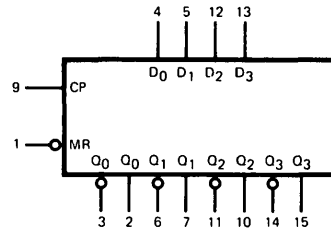
V_{DD} = Pin 16
V_{SS} = Pin 8

**C22
4013B**



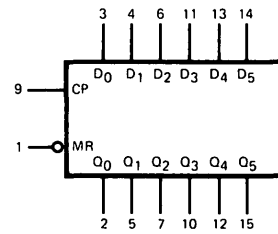
V_{DD} = Pin 14
V_{SS} = Pin 7

**C23
40175B**



V_{DD} = Pin 16
V_{SS} = Pin 8

**C24
40174B**



V_{DD} = Pin 16
V_{SS} = Pin 8

NOTE The Flatpak versions have the same pinouts (Connection Diagram) as the Dual In-Line Packages