



2-Wire Interfaced, 7-, 14-, and 16-Segment Alpha-numeric Vacuum-Fluorescent Display Controller

MAX6851

General Description

The MAX6851 compact vacuum-fluorescent display (VFD) controller provides microprocessors with the multiplex timing for 7-segment, 14-segment, or 16-segment alphanumeric VFD displays up to 96 characters and controls industry-standard, shift-register, high-voltage grid/anode VFD tube drivers. The device supports display tubes using either one or two digits per grid, as well as universal displays. Hardware is included to simplify the generation of cathode bias and filament supplies and to provide up to five logic outputs, including a buzzer driver. The MAX6851 provides an internal cross-point switch to match any tube-driver, shift-register grid/anode order, and is compatible with both chip-in-glass and external tube drivers.

The MAX6851 includes an ASCII 104-character font, multiplex scan circuitry, and static RAM that stores digit, cursor, and annunciator data, as well as font data for 24 user-definable characters. The display intensity can be adjusted by an internal 16-step digital brightness control. The device also includes separate annunciator and cursor control with automatic blinking, as well as a low-power shutdown mode.

The MAX6851 provides timing to generate the PWM waveforms to drive the tube filament from a DC supply. The filament drive is synchronized to the display multiplexing to eliminate beat artifacts.

For a high-speed SPI™/QSPI™/MICROWIRE™ interfaced version, refer to the MAX6850 data sheet.

Applications

| | |
|--------------------------|------------------------------|
| Display Modules | Industrial Controllers |
| Retail POS Displays | White Goods |
| Weight and Tare Displays | Professional Audio Equipment |
| Bar Graph Displays | |

Pin Configuration and Functional Diagram appear at end of data sheet.

SPI and QSPI are trademarks of Motorola, Inc.

MICROWIRE is a trademark of National Semiconductor Corp.

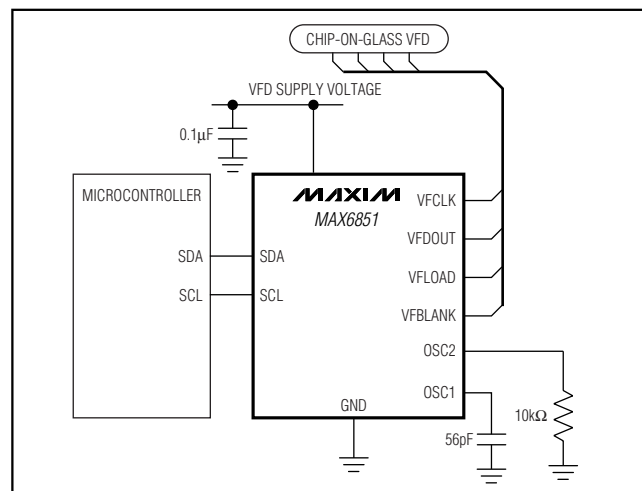
Features

- ◆ 400kbps I²C-Compatible Serial Interface
- ◆ 2.7V to 3.6V Operation
- ◆ Controls Up to 48 Grids of 7-Segment, 14-Segment, or 16-Segment Alphanumeric Digits
- ◆ One Digit and Two Digits per Grid and Universal Displays Supported
- ◆ 16-Step Digital Brightness Control
- ◆ Built-In ASCII 104-Character Font
- ◆ 24 User-Definable Characters
- ◆ Up to Four Annunciators per Grid with Automatic Blinking Control
- ◆ Separate Cursor Control with Automatic Blinking
- ◆ Filament Drive Full-Bridge Waveform Synthesis
- ◆ Charge-Pump Drive Output to Generate Cathode Bias Supply
- ◆ Buzzer Tone Generator with Single-Ended or Push-Pull Driver
- ◆ Up to Five General-Purpose Logic Outputs
- ◆ 11µA Low-Power Shutdown (Data Retained)
- ◆ 16-Pin QSOP Package

Ordering Information

| PART | TEMP RANGE | PIN-PACKAGE |
|------------|-----------------|-------------|
| MAX6851AEE | -40°C to +125°C | 16 QSOP |

Typical Application Circuit



2-Wire Interfaced, 7-, 14-, and 16-Segment Alpha-numeric Vacuum-Fluorescent Display Controller

ABSOLUTE MAXIMUM RATINGS

Voltage (with respect to GND)

V+-0.3V to +4V

ADO, SDA, SCL.....-0.3V to +5.5V

All Other Pins.....-0.3V to (V+ + 0.3V)

Current

V+.....200mA

GND.....-200mA

PHASE1, PHASE2, PORT0, PORT1, PUMP.....±150mA

VFCLK, VFDOUT, VFLOAD, VFBLANK.....±150mA

SDA.....15mA

Continuous Power Dissipation ($T_A = +70^\circ\text{C}$)

16-Pin QSOP (derate at 8.34mW/°C above +70°C).....667mW

Operating Temperature Range (T_{MIN} , T_{MAX})

MAX6851AEE.....-40°C to +125°C

Junction Temperature.....+150°C

Storage Temperature Range.....-65°C to +150°C

Lead Temperature (soldering, 10s).....+300°C

Stresses beyond those listed under "Absolute Maximum Ratings" may cause permanent damage to the device. These are stress ratings only, and functional operation of the device at these or any other conditions beyond those indicated in the operational sections of the specifications is not implied. Exposure to absolute maximum rating conditions for extended periods may affect device reliability.

DC ELECTRICAL CHARACTERISTICS

(Typical Operating Circuit, $V_+ = 2.7\text{V}$ to 3.6V , $T_A = T_{\text{MIN}}$ to T_{MAX} , unless otherwise noted.) (Note 1)

| PARAMETER | SYMBOL | CONDITIONS | MIN | TYP | MAX | UNITS |
|--|-----------------------------------|--|------|--|------|-------|
| Operating Supply Voltage | V+ | | 2.7 | | 3.6 | V |
| Shutdown Supply Current | I _{SHDN} | Shutdown mode, all digital inputs at V+ or GND | | $T_A = T_{\text{MIN}}$ to T_{MAX} | 85 | μA |
| | | | | $T_A = +25^\circ\text{C}$ | 11.5 | |
| Operating Supply Current | I+ | OSC = 4MHz VFLOAD, VFDOUT, VFCLK, VFBLANK, loaded 100pF | | $T_A = T_{\text{MIN}}$ to T_{MAX} | 3.5 | mA |
| | | | | $T_A = +25^\circ\text{C}$ | 1.3 | |
| Master Clock Frequency (OSC Internal Oscillator) | f _{OSC} | OSC1 fitted with C _{OSC} = 56pF, OSC2 fitted with R _{OSC} = 10kΩ; see the <i>Typical Operating Circuit</i> | | 4 | | MHz |
| Master Clock Frequency (OSC External Oscillator) | | OSC1 overdriven with external f _{OSC} | 2 | | 8 | MHz |
| Dead-Clock Protection Frequency | | | | 200 | | kHz |
| OSC High Time | t _{CH} | | 50 | | | ns |
| OSC Low Time | t _{CL} | | 50 | | | ns |
| Fast or Slow Segment Blink Duty Cycle | | (Note 2) | 49.5 | | 50.5 | % |
| LOGIC INPUTS AND OUTPUTS | | | | | | |
| Input Leakage Current ADO, SDA, SCL | I _{IH} , I _{IL} | | | 0.2 | 1 | μA |
| Logic-High Input Voltage ADO, SDA, SCL | V _{IH} | | 2.4 | | | V |
| Logic-Low Input Voltage ADO, SDA, SCL | V _{IL} | | | | 0.6 | V |
| SDA Output Low Voltage | V _{OLSDA} | I _{SINK} = 4mA | | | 0.5 | V |
| Input Capacitance | C _I | (Note 2) | | | 10 | pF |

2-Wire Interfaced, 7-, 14-, and 16-Segment Alpha-numeric Vacuum-Fluorescent Display Controller

MAX6851

DC ELECTRICAL CHARACTERISTICS (continued)

(Typical Operating Circuit, $V_+ = 2.7V$ to $3.6V$, $T_A = T_{MIN}$ to T_{MAX} , unless otherwise noted.) (Note 1)

| PARAMETER | SYMBOL | CONDITIONS | MIN | TYP | MAX | UNITS |
|---|--------------|--|-------------|-----|-----|---------|
| Output Rise and Fall Time PHASE1, PHASE2, PORT0, PORT1, PUMP, VFLOAD, VFDOUT, VFCLK, VFBLANK | t_{RFT} | $C_{LOAD} = 100pF$ | | | 25 | ns |
| Output High-Voltage PHASE1, PHASE2, PORT0, PORT1, PUMP, VFLOAD, VFDOUT, VFCLK, VFBLANK | V_{OH} | $I_{SOURCE} = 10mA$ | $V_+ - 0.6$ | | | V |
| Output Low-Voltage PHASE1, PHASE2, PORT0, PORT1, PUMP, VFLOAD, VFDOUT, VFCLK, VFBLANK | V_{OL} | $I_{SINK} = 10mA$ | | | 0.4 | V |
| Output Short-Circuit Source Current PHASE1, PHASE2, PORT0, PORT1, PUMP, VFLOAD, VFDOUT, VFCLK, VFBLANK | I_{OHSC} | Output programmed high, output short circuit to GND (Note 2) | | 62 | 125 | mA |
| Output Short-Circuit Sink Current PHASE1, PHASE2, PORT0, PORT1, PUMP, VFLOAD, VFDOUT, VFCLK, VFBLANK | I_{OLSC} | Output programmed low, output short circuit to V_+ (Note 2) | | 72 | 125 | mA |
| 2-WIRE SERIAL INTERFACE TIMING CHARACTERISTICS (Figure 8) | | | | | | |
| Serial Clock Frequency | f_{SCL} | | | | 400 | kHz |
| Bus Free Time Between a STOP and a START Condition | t_{BUF} | | 1.3 | | | μs |
| Hold Time (Repeated) START Condition | $t_{HD,STA}$ | | 0.6 | | | μs |
| Repeated START Condition Setup Time | $t_{SU,STA}$ | | 0.6 | | | μs |
| STOP Condition Setup Time | $t_{SU,STO}$ | | 0.6 | | | μs |
| Data Hold Time | $t_{HD,DAT}$ | | | | 0.9 | μs |
| Data Setup Time | $t_{SD,DAT}$ | (Note 3) | 100 | | | ns |
| SCL Clock Low Period | t_{LOW} | | 1.3 | | | μs |
| SCL Clock High Period | t_{HIGH} | | 0.6 | | | μs |

2-Wire Interfaced, 7-, 14-, and 16-Segment Alpha-numeric Vacuum-Fluorescent Display Controller

DC ELECTRICAL CHARACTERISTICS (continued)

(Typical Operating Circuit, $V_+ = 2.7V$ to $3.6V$, $T_A = T_{MIN}$ to T_{MAX} , unless otherwise noted.) (Note 1)

| PARAMETER | SYMBOL | CONDITIONS | MIN | TYP | MAX | UNITS |
|---|------------|--------------|-----|-------------------|------|---------|
| Rise Time of Both SDA and SCL Signals, Receiving | t_R | (Notes 2, 4) | | 20 + 0.1 C_B | 300 | ns |
| Fall Time of Both SDA and SCL Signals, Receiving | t_F | (Notes 2, 4) | | 20 + 0.1 C_B | 300 | ns |
| Fall Time of SDA Transmitting | t_F | (Notes 2, 5) | | 20 + 0.1 C_B | 250 | ns |
| Pulse Width of Spike Suppressed | t_{SP} | (Note 6) | 50 | | | ns |
| Capacitive Load for Each Bus Line | C_B | (Note 2) | | 400 | | pF |
| VFD INTERFACE TIMING CHARACTERISTICS (Figure 16) | | | | | | |
| VFCLK Clock Period | t_{VCP} | (Note 2) | 500 | | 2050 | ns |
| VFCLK Pulse Width High | t_{VCH} | (Note 2) | 250 | | | ns |
| VFCLK Pulse Width Low | t_{VCL} | (Note 2) | 250 | | | ns |
| VFCLK Rise to VFD Load Rise Hold Time | t_{VCSH} | (Note 2) | 19 | | | μ s |
| VFDOUT Setup Time | t_{VDS} | (Note 2) | 50 | | | ns |
| VFLOAD Pulse High | t_{VCSW} | (Note 2) | 245 | | | ns |

Note 1: All parameters tested at $T_A = +25^\circ C$. Specifications over temperature are guaranteed by design.

Note 2: Guaranteed by design.

Note 3: A master device must provide a hold time of at least 300ns for the SDA signal (referred to V_{IL} of the SCL signal) in order to bridge the undefined region of SCL's falling edge.

Note 4: C_B = total capacitance of one bus line in pF; t_R and t_F measured between 0.3V+ and 0.7V+.

Note 5: $I_{SINK} \leq 6mA$; C_B = total capacitance of one bus line in pF; t_R and t_F measured between 0.3V+ and 0.7V+.

Note 6: Input filters on the SDA and SCL inputs suppress noise spikes less than 50ns.

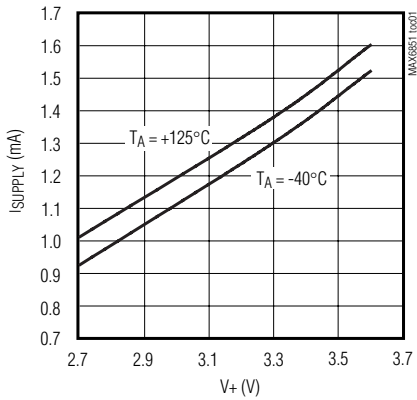
2-Wire Interfaced, 7-, 14-, and 16-Segment Alpha-numeric Vacuum-Fluorescent Display Controller

Typical Operating Characteristics

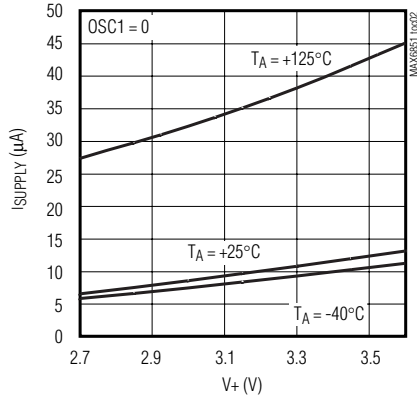
(Typical Application Circuit, $V_+ = 3.3V$, $T_A = +25^\circ C$, unless otherwise noted.)

MAX6851

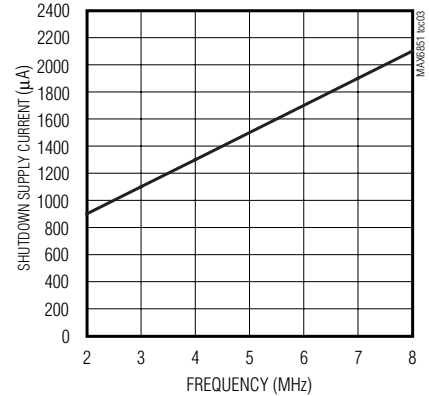
SUPPLY CURRENT vs. SUPPLY VOLTAGE



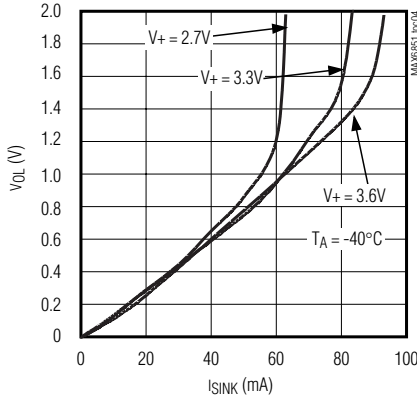
SHUTDOWN SUPPLY CURRENT vs. SUPPLY VOLTAGE



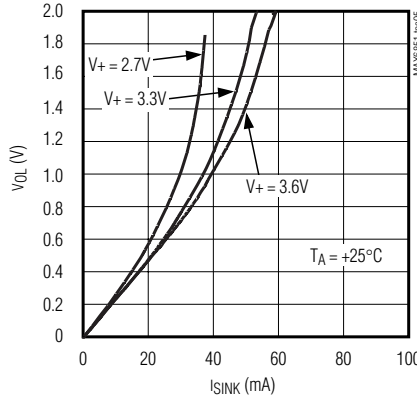
SHUTDOWN SUPPLY CURRENT vs. OSC FREQUENCY



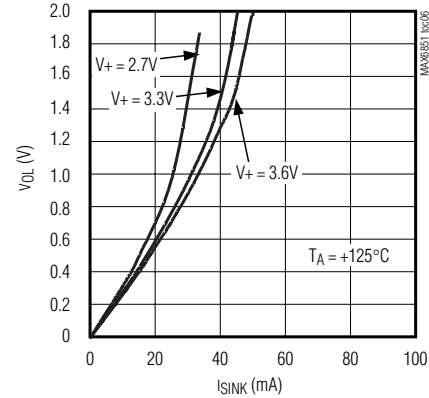
OUTPUT LOW VOLTAGE vs. I_SINK



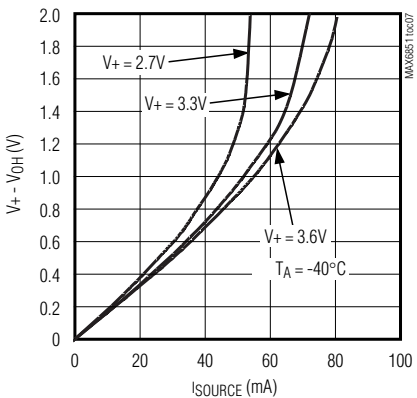
OUTPUT LOW VOLTAGE vs. I_SINK



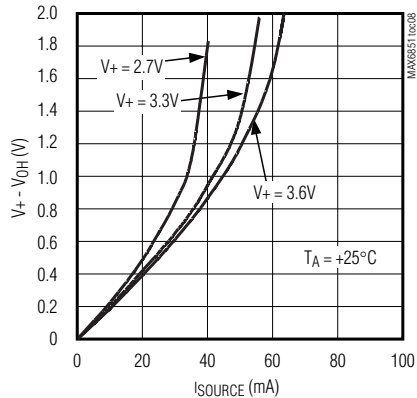
OUTPUT LOW VOLTAGE vs. I_SINK



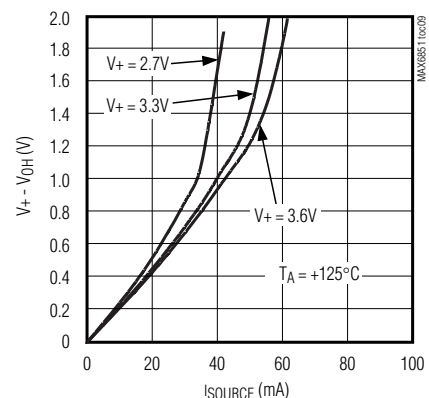
V+ - VOH vs. I_SOURCE



V+ - VOH vs. I_SOURCE



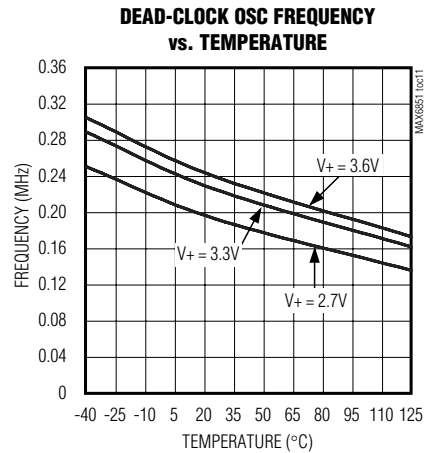
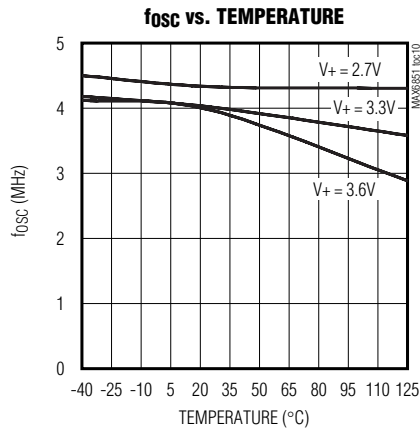
V+ - VOH vs. I_SOURCE



2-Wire Interfaced, 7-, 14-, and 16-Segment Alpha-numeric Vacuum-Fluorescent Display Controller

Typical Operating Characteristics (continued)

(Typical Application Circuit, $V_+ = 3.3V$, $T_A = +25^\circ C$, unless otherwise noted.)



Pin Description

| PIN | NAME | FUNCTION |
|-----|---------|---|
| 1 | VFCLK | Serial-Clock Output to External Driver. Push-pull clock output to external display driver. On VFCLK's falling edge, data is clocked out of VFDOOUT. |
| 2 | VFDOOUT | Serial-Data Output to External Driver. Push-pull data output to external display driver. |
| 3 | VFLOAD | Serial-Load Output to External Driver. Push-pull load output to external display driver. Rising edge is used by external display driver to load serial data into display latch. |
| 4 | VFBLANK | Display Blanking Output to External Driver. Push-pull blanking output to external display driver used for PWM intensity control. |
| 5 | PUMP | Pump General-Purpose Output. User-configurable push-pull logic output. |
| 6 | PHASE1 | Filament Drive PHASE1 Output and General-Purpose Output. User-configurable push-pull logic output can also be used as a driver for external filament bridge drive. |
| 7 | PHASE2 | Filament Drive PHASE2 Output and General-Purpose Output. User-configurable push-pull logic output can also be used as a driver for external filament bridge drive. |
| 8 | V+ | Positive Supply Voltage. Bypass V+ to GND with a 0.1μF ceramic capacitor. |
| 9 | GND | Ground |
| 10 | PORT0 | PORT0 General-Purpose Output. User-configurable push-pull logic output. |
| 11 | SCL | Serial-Clock Input |
| 12 | SDA | Serial-Data Input I/O |
| 13 | AD0 | Address Input 0. Sets device slave address. Connect to GND, V+, SCL, or SDA to give four logic combinations. See Table 25. |
| 14 | PORT1 | PORT1 General-Purpose Output. User-configurable push-pull logic output. |

2-Wire Interfaced, 7-, 14-, and 16-Segment Alpha-numeric Vacuum-Fluorescent Display Controller

Pin Description (continued)

MAX6851

| PIN | NAME | FUNCTION |
|-----|------|---|
| 15 | OSC1 | Multiplex Clock Input 1. To use the internal oscillator, connect capacitor C _{OSC} from OSC1 to GND. To use the external clock, drive OSC1 with a 2MHz to 8MHz CMOS clock. |
| 16 | OSC2 | Multiplex Clock Input 2. Connect resistor R _{OSC} from OSC2 to GND. |

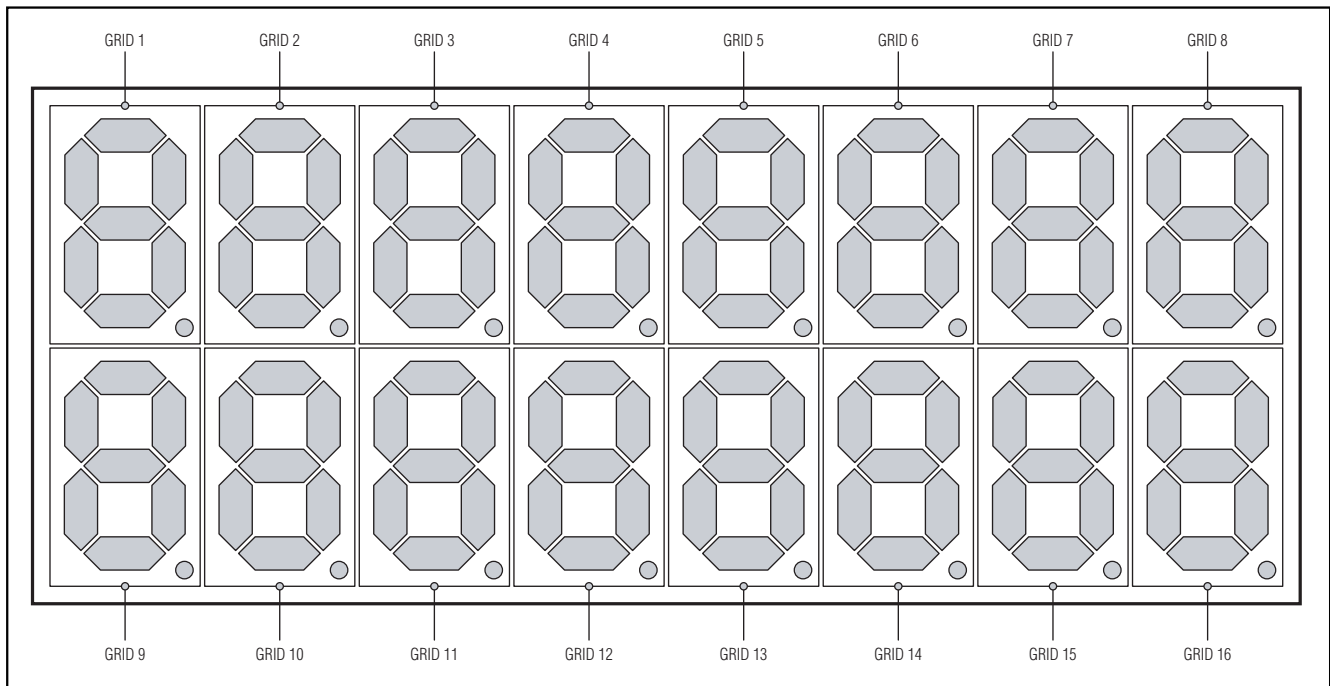


Figure 1. Example of a One-Digit-per-Grid Display

Detailed Description

Overview of the MAX6851

The MAX6851 VFD controller generates the multiplex timing for the following VFD display types:

- Multiplexed displays with one digit per grid, and up to 48 grids (in 48/1 mode). Each grid can contain one 7-, 14-, or 16-segment character, a decimal place (DP) segment, a cursor segment, and four extra annunciator segments (Figure 1).
- Multiplexed displays with two digits per grid, and up to 48 grids (in 96/2 mode). Each grid can contain two 7-, 14-, or 16-segment characters, two DP segments, and two cursor segments. No annunciator segments are supported (Figure 2).

Each digit can have a 7-, 14-, or 16-segment character, a DP segment, a cursor segment, and (for one-digit-per-grid displays only) four annunciators (Figure 3).

The 7, 14, or 16 segments use on-chip fonts that map the segments. The fonts comprise an ASCII 104-character fixed-font set, and 24 user-definable characters. The predefined characters follow the Arial font, with the addition of the following common symbols: £, ¢, ¥, °, μ, ±, ↑, and ↓. The 24 user-definable characters are uploaded by the user into on-chip RAM through the serial interface and are lost when the device is powered down. As well as custom 7- and 14-segment characters, the user-definable fonts can control up to 14 custom segments, bar graph characters, or graphics.

Annunciator segments have individual, independent control, so any combination of annunciators can be lit. Annunciators can be off, lit, or blink either in phase or

2-Wire Interfaced, 7-, 14-, and 16-Segment Alpha-numeric Vacuum-Fluorescent Display Controller

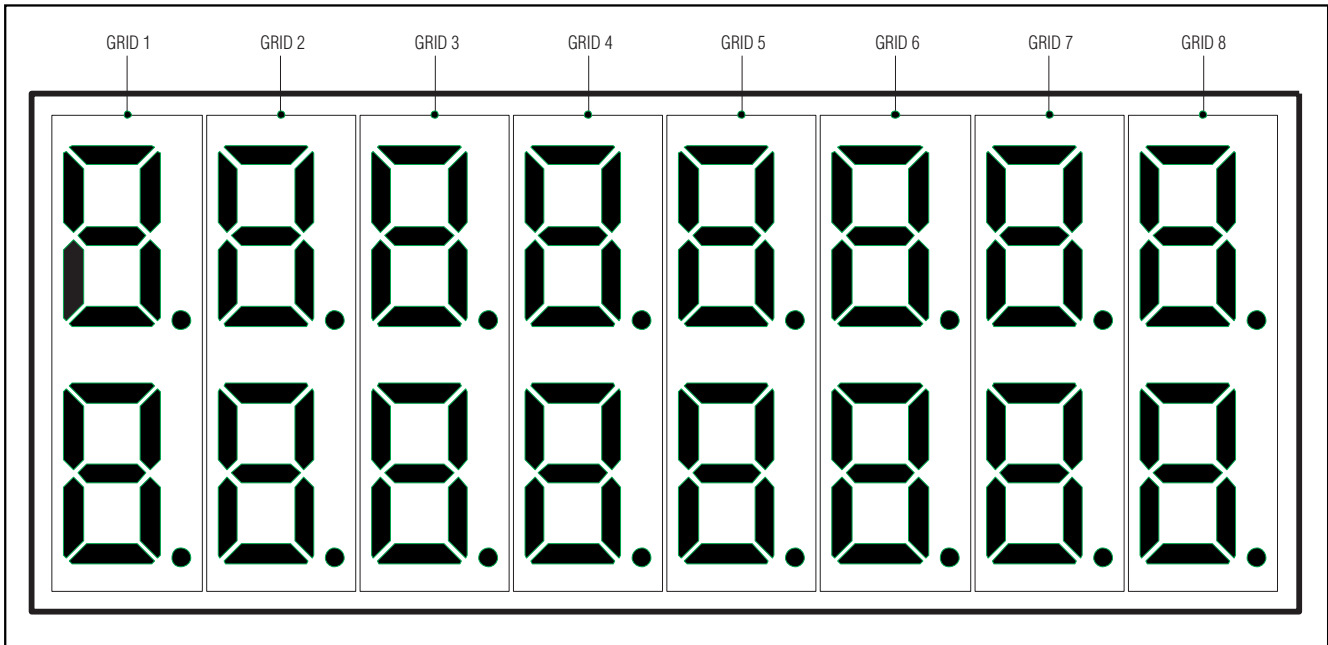


Figure 2. Example of a Two-Digit-per-Grid Display

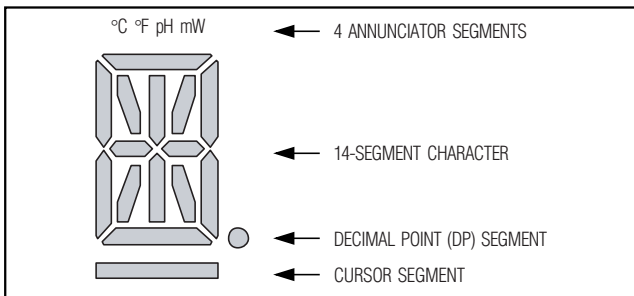


Figure 3. Digit Structure with 14-Segment Character, DP Segment, Cursor Segment, and Four Annunciators

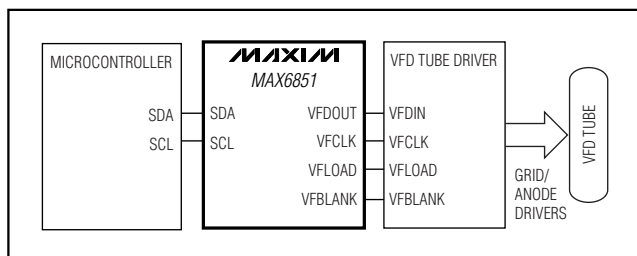


Figure 4. Connection of the MAX6851 to VFD Driver and VFD Tube

out of phase with the cursor. The blink-speed control is software selectable to be one or two blinks per second (OSC = 4MHz).

DP segments can be lit or off, but have no blink control. A DP segment is set by the same command that writes the digit's 7-, 14-, or 16-segment character.

The cursor segment is controlled differently. A single register selects one digit's cursor from the entire display, and that can be lit either continuously or blinking. All the other digits' cursors are off.

The designations of DP, cursor, and annunciator are interchangeable. For example, consider an application requiring only one DP lit at a time, but the DP needs to blink. The DP function does not have blink capability. Instead, the DP segments on the display are routed (using the output map) to the cursor function. In this case, the DP segments are controlled using the cursor register.

The output of the controller is a 4-wire serial stream that interfaces to industry-standard, shift-register, high-voltage grid/anode VFD tube drivers (Figure 4). This interface uses three outputs to transfer and latch grid and anode data into the tube drivers, and a fourth output that enables/disables the tube driver outputs (Figure 6). The enable/disable control is modulated by the MAX6851 for both PWM intensity control and interdigit

2-Wire Interfaced, 7-, 14-, and 16-Segment Alpha-numeric Vacuum-Fluorescent Display Controller

MAX6851

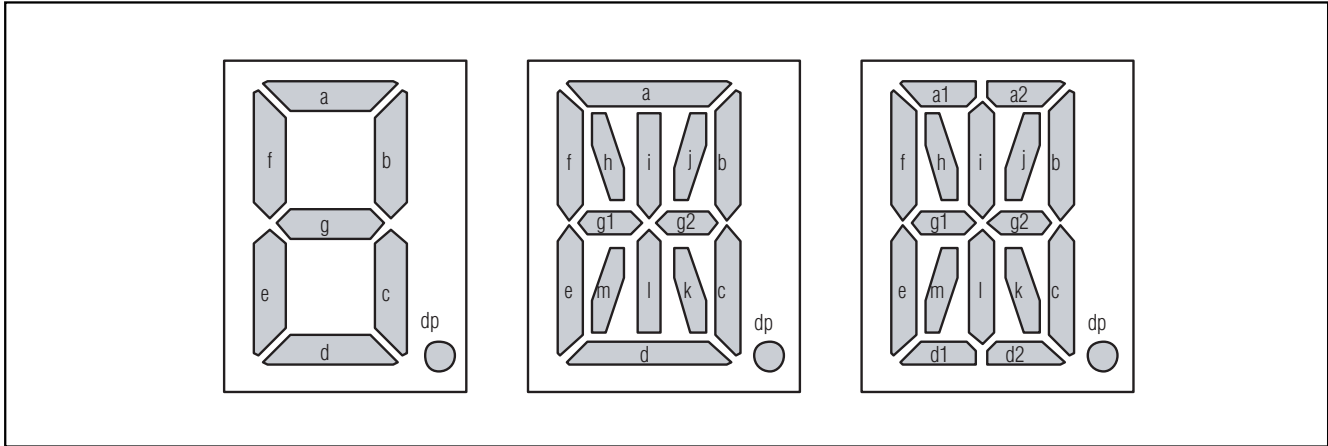


Figure 5. Segment Labeling for 7-, 14-, and 16-Segment Displays

blanking, and disables the tube driver in shutdown. The controller multiplexes the display by enabling each grid of the VFD in turn for 100µs (OSC = 4MHz) with the correct segment (anode) data. The data for the next grid is transferred to the tube drivers during the display time of the current grid.

The controller uses an internal output map to match any tube-driver's shift-register grid/anode order, and is therefore compatible with all VFD internal chip-in-glass or external tube drivers.

The MAX6851 provides five high-current output ports, which can be configured for a variety of functions:

The PUMP output can be configured as either an 80kHz (OSC = 4MHz) clock intended for DC-to-DC converter use, the 4-wire serial interface's DOUT data output, or a general-purpose logic output.

The PHASE1 and PHASE2 outputs can be individually configured as either 10kHz PWM outputs (OSC = 4MHz) intended for filament driving, blink status outputs, or general-purpose logic outputs.

The PORT0 and PORT1 outputs can be individually configured as either 625Hz, 1250Hz, or 2500Hz clocks (OSC = 4MHz) intended for buzzer driving, the 4-wire serial interface's DOUT data output, blink or shutdown status outputs, or general-purpose logic outputs. Figure 5 shows segment labeling for 7-, 14-, and 16-segment displays. Figure 6 is a block diagram of the VFD tube driver and VFD tube.

Display Modes

The MAX6851 has two display modes (Table 1), selected by the M bit in the configuration register (Table 23). The display modes trade the maximum allowable num-

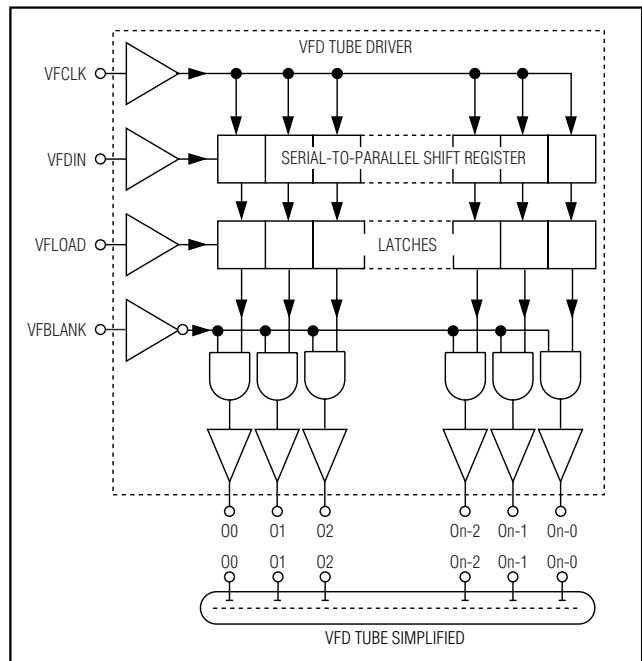


Figure 6. Block Diagram of VFD Tube Driver and VFD Tube

ber of digits (96/2 mode) against the availability of annunciator segments (48/1 mode). Table 2 is the register address map.

Initial Power-Up

On initial power-up, all control registers are reset, the display segment and annunciator data are cleared, intensity is set to minimum, and shutdown is enabled (Table 3).

2-Wire Interfaced, 7-, 14-, and 16-Segment Alpha-numeric Vacuum-Fluorescent Display Controller

Table 1. Display Modes

| DISPLAY MODE | MAXIMUM NO. OF DIGITS | MAXIMUM NO. OF ANNUNCIATORS | MAXIMUM NO. OF GRIDS | DIGITS COVERED BY EACH GRID |
|--------------|--|-----------------------------|----------------------|-----------------------------|
| 48/1 mode | 48 digits, each with a DP segment and a cursor segment | 4 per digit | 48 grids | 1 digit per grid |
| 96/2 mode | 96 digits, each with a DP segment and a cursor segment | None | | 2 digits per grid |

Table 2. Register Address Map

| REGISTER | COMMAND ADDRESS | | | | | | | | HEX CODE |
|--|-----------------|-----|-----|-----|-----|-----|----|----|----------|
| | D15 | D14 | D13 | D12 | D11 | D10 | D9 | D8 | |
| No-Op | 0 | 0 | 0 | 0 | 0 | 0 | 0 | 0 | 0x00 |
| VFBLANK polarity | 0 | 0 | 0 | 0 | 0 | 0 | 0 | 1 | 0x01 |
| Intensity | 0 | 0 | 0 | 0 | 0 | 0 | 1 | 0 | 0x02 |
| Grids | 0 | 0 | 0 | 0 | 0 | 0 | 1 | 1 | 0x03 |
| Configuration | 0 | 0 | 0 | 0 | 0 | 1 | 0 | 0 | 0x04 |
| User-defined fonts | 0 | 0 | 0 | 0 | 0 | 1 | 0 | 1 | 0x05 |
| Output map | 0 | 0 | 0 | 0 | 0 | 1 | 1 | 0 | 0x06 |
| Display test and device ID | 0 | 0 | 0 | 0 | 0 | 1 | 1 | 1 | 0x07 |
| PUMP register | 0 | 0 | 0 | 0 | 1 | 0 | 0 | 0 | 0x08 |
| Filament duty cycle | 0 | 0 | 0 | 0 | 1 | 0 | 0 | 1 | 0x09 |
| PHASE1 | 0 | 0 | 0 | 0 | 1 | 0 | 1 | 0 | 0x0A |
| PHASE2 | 0 | 0 | 0 | 0 | 1 | 0 | 1 | 1 | 0x0B |
| PORT0 | 0 | 0 | 0 | 0 | 1 | 1 | 0 | 0 | 0x0C |
| PORT1 | 0 | 0 | 0 | 0 | 1 | 1 | 0 | 1 | 0x0D |
| Shift limit | 0 | 0 | 0 | 0 | 1 | 1 | 1 | 0 | 0x0E |
| Cursor | 0 | 0 | 0 | 0 | 1 | 1 | 1 | 1 | 0x0F |
| Factory reserved. Do not write to register. | X | 0 | 0 | 1 | 0 | 0 | 0 | 0 | 0x10 |

Character Registers

The MAX6851 uses 48 character registers (48/1 mode) (Table 4) or 96 character registers (96/2 mode) (Table 5) to store the 7-, 14-, and 16-segment characters (Table 6). Each digit is represented by 1 byte of memory. The data in the character registers does not control the character segments directly. Instead, the register data is used to address a character generator, which stores the data of the 128-character font (Table 7). The lower 7 bits of the character data (D6 to D0) select a character from the font table. The most significant bit (MSB) of the register data (D7) controls the DP segment of the digit; it is set to light the DP, cleared to leave it unlit.

The character registers address maps are shown in Table 4 (48/1 mode) and Table 5 (96/2 mode).

In 48/1 mode, the character registers use a single address range 0x20 to {0x20 + g}, where g is the value in the grids register (Table 28). The 48/1 mode upper address limit, when g is 0x2F, is therefore 0x4F. The address range 0x50 to 0x7F is used for annunciator data in 48/1 mode.

In 96/2 mode, the character registers use two address ranges. The first row's address range is 0x20 to {0x20 + g}. The second row's address range is 0x50 to {0x50 + g}. Therefore, in 96/2 mode, the character registers are only one contiguous memory range when a 48-grid display is used.

2-Wire Interfaced, 7-, 14-, and 16-Segment Alpha-numeric Vacuum-Fluorescent Display Controller

MAX6851

Table 3. Initial Power-Up Register Status

| REGISTER | POWER-UP CONDITION | COMMAND ADDRESS | REGISTER DATA | | | | | | | |
|-----------------------------------|--|-----------------|-------------------------------------|----|----|----|----|----|----|----|
| | | | D7 | D6 | D5 | D4 | D3 | D2 | D1 | D0 |
| VFBLANK polarity | VFBLANK is high to disable the display | 0x01 | X | X | X | X | X | X | 0 | 0 |
| Intensity | 1/16 (min on) | 0x02 | X | X | X | X | 0 | 0 | 0 | 0 |
| Grids | Display has 1 grid | 0x03 | X | X | 0 | 0 | 0 | 0 | 0 | 0 |
| Configuration | Shutdown enabled, configuration unlocked | 0x04 | 1 | 0 | 0 | 0 | 0 | 0 | 0 | 0 |
| User-defined font address pointer | Address 0x80; pointing to the first user-defined font location | 0x05 | 1 | 0 | 0 | 0 | 0 | 0 | 0 | 0 |
| User-defined fonts | Predefined for hex fonts | — | See Table 11 for power-up patterns. | | | | | | | |
| Output map pointer | Address 0x80; pointing to first entry address | 0x06 | 1 | 0 | 0 | 0 | 0 | 0 | 0 | 0 |
| Output map data | Predefined for 40-digit display | — | See Table 32 for power-up patterns. | | | | | | | |
| Display test | Normal operation | 0x07 | X | X | X | X | X | X | X | 0 |
| PUMP | General-purpose output, logic | 0x08 | 0 | 0 | 0 | 0 | 0 | 0 | 0 | 0 |
| Filament duty cycle | Minimum duty cycle | 0x09 | 0 | 0 | 0 | 0 | 0 | 0 | 0 | 1 |
| PHASE1 | General-purpose output, logic | 0x0A | 0 | 0 | 0 | 0 | 0 | 0 | 0 | 0 |
| PHASE2 | General-purpose output, logic | 0x0B | 0 | 0 | 0 | 0 | 0 | 0 | 0 | 0 |
| PORT0 | General-purpose output, logic | 0x0C | 0 | 0 | 0 | 0 | 0 | 0 | 0 | 0 |
| PORT1 | General-purpose output, logic | 0x0D | 0 | 0 | 0 | 0 | 0 | 0 | 0 | 1 |
| Shift limit | 1 output bit | 0x0E | X | 0 | 0 | 0 | 0 | 0 | 0 | 1 |
| Cursor | Off | 0x0F | 0 | 1 | 1 | 0 | 0 | 0 | 0 | 0 |
| Character and annunciator data | Clear | 0x20 | 0 | 0 | 0 | 0 | 0 | 0 | 0 | 0 |
| UP TO | — | UP TO | — | — | — | — | — | — | — | — |
| Character and annunciator data | Clear | 0x7F | 0 | 0 | 0 | 0 | 0 | 0 | 0 | 0 |

Character Generator Font Mapping

The font comprises 104 characters in ROM, and 24 user-definable characters. The selection from the total of 128 characters is represented by the lower 7 bits of the 8-bit digit registers. The MSB, shown as X in the ROM maps (Tables 7 and 8), controls the DP segment of the digit; it is set to light the DP.

There are two font maps stored in the MAX6851. One font map covers 14-segment displays (Table 8), and the other suits 16-segment displays (Table 7). The F bit in the configuration register (Table 20) selects between the two font maps. The F bit may be set either high or low for 7-segment displays; 7-segment displays use a subset of the 14- or 16-segment display described in two font maps (Figure 7).

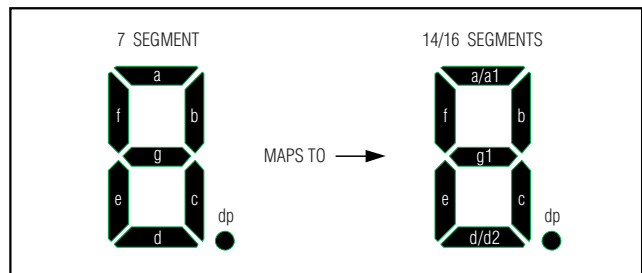


Figure 7. 14- and 16-Segment Fonts Map a Subset of Their 14 or 16 Segments to a 7-Segment Digit

2-Wire Interfaced, 7-, 14-, and 16-Segment Alpha-numeric Vacuum-Fluorescent Display Controller

Table 4. Character and Annunciator Register Address Map in 48/1 Mode

| REGISTER | COMMAND ADDRESS | | | | | | | | HEX CODE |
|-----------------------|-----------------|-----|-----|-----|-----|-----|----|----|----------|
| | D15 | D14 | D13 | D12 | D11 | D10 | D9 | D8 | |
| Digit 0 character | 0 | 0 | 1 | 0 | 0 | 0 | 0 | 0 | 0x20 |
| Digit 1 character | 0 | 0 | 1 | 0 | 0 | 0 | 0 | 1 | 0x21 |
| Digit 2 character | 0 | 0 | 1 | 0 | 0 | 0 | 1 | 0 | 0x22 |
| UP TO | — | — | — | — | — | — | — | — | — |
| Digit 45 character | 0 | 1 | 0 | 0 | 1 | 1 | 0 | 1 | 0x4D |
| Digit 46 character | 0 | 1 | 0 | 0 | 1 | 1 | 1 | 0 | 0x4E |
| Digit 47 character | 0 | 1 | 0 | 0 | 1 | 1 | 1 | 1 | 0x4F |
| Digit 0 annunciators | 0 | 1 | 0 | 1 | 0 | 0 | 0 | 0 | 0x50 |
| Digit 1 annunciators | 0 | 1 | 0 | 1 | 0 | 0 | 0 | 1 | 0x51 |
| Digit 2 annunciators | 0 | 1 | 0 | 1 | 0 | 0 | 1 | 0 | 0x52 |
| UP TO | — | — | — | — | — | — | — | — | — |
| Digit 45 annunciators | 0 | 1 | 1 | 1 | 1 | 1 | 0 | 1 | 0x7D |
| Digit 46 annunciators | 0 | 1 | 1 | 1 | 1 | 1 | 1 | 0 | 0x7E |
| Digit 47 annunciators | 0 | 1 | 1 | 1 | 1 | 1 | 1 | 1 | 0x7F |

Table 5. Character Register Address Map in 96/2 Mode

| REGISTER | COMMAND ADDRESS | | | | | | | | HEX CODE |
|-----------------------------|-----------------|-----|-----|-----|-----|-----|----|----|----------|
| | D15 | D14 | D13 | D12 | D11 | D10 | D9 | D8 | |
| Digit 0 character, 1st row | 0 | 0 | 1 | 0 | 0 | 0 | 0 | 0 | 0x20 |
| Digit 1 character, 1st row | 0 | 0 | 1 | 0 | 0 | 0 | 0 | 1 | 0x21 |
| Digit 2 character, 1st row | 0 | 0 | 1 | 0 | 0 | 0 | 1 | 0 | 0x22 |
| UP TO | 0 | — | — | — | — | — | — | — | — |
| Digit 45 character, 1st row | 0 | 1 | 0 | 0 | 1 | 1 | 0 | 1 | 0x4D |
| Digit 46 character, 1st row | 0 | 1 | 0 | 0 | 1 | 1 | 1 | 0 | 0x4E |
| Digit 47 character, 1st row | 0 | 1 | 0 | 0 | 1 | 1 | 1 | 1 | 0x4F |
| Digit 0 character, 2nd row | 0 | 1 | 0 | 1 | 0 | 0 | 0 | 0 | 0x50 |
| Digit 1 character, 2nd row | 0 | 1 | 0 | 1 | 0 | 0 | 0 | 1 | 0x51 |
| Digit 2 character, 2nd row | 0 | 1 | 0 | 1 | 0 | 0 | 1 | 0 | 0x52 |
| UP TO | 0 | — | — | — | — | — | — | — | — |
| Digit 45 character, 2nd row | 0 | 1 | 1 | 1 | 1 | 1 | 0 | 1 | 0x7D |
| Digit 46 character, 2nd row | 0 | 1 | 1 | 1 | 1 | 1 | 1 | 0 | 0x7E |
| Digit 47 character, 2nd row | 0 | 1 | 1 | 1 | 1 | 1 | 1 | 1 | 0x7F |

The character map follows the Arial font for 96 characters in the x0100000 through x1111111 range. The first 32 characters map the 24 user-definable positions (RAM00 to RAM23), plus eight extra common characters in ROM.

User-Defined Fonts

The 24 user-definable characters are represented by 48 entries of 7-bit data, two entries per character, and are stored in the MAX6851's internal RAM.

2-Wire Interfaced, 7-, 14-, and 16-Segment Alpha-numeric Vacuum-Fluorescent Display Controller

Table 6. Character Registers Format

| MODE | COMMAND ADDRESS | REGISTER DATA | | | | | | | | |
|--|--|---------------|---|----|----|----|----|----|----|--|
| | | D7 | D6 | D5 | D4 | D3 | D2 | D1 | D0 | |
| Writing character data to use font map data with DP segment unlit | 0x20 to 0x4F (48/1 mode) 0x20 to 0x7F (96/2 mode) | 0 | Bits D6 to D0 select font characters 0 to 127 | | | | | | | |
| Writing character data to use font map data with DP segment lit | 0x20 to 0x4F (48/1 mode) 0x20 to 0x7F (96/2 mode) | 1 | | | | | | | | |

The user-definable characters are preloaded on power-up with 24 fonts. These fonts are intended to be useful for 7-segment displays, and include the hexadecimal set for the first 16 characters, plus eight other useful segment combinations. Table 12 shows how the 14-segment and 16-segment fonts map to 7-segment displays.

The 48 user-definable font data entries are written and read through a single register, address 0x05. An autoincrementing font address pointer in the MAX6851 indirectly accesses the font data. The font address pointer can be written, setting one of 48 addresses between 0x00 and 0x2F, but cannot be read back. The font data is written to and read from the MAX6851 indirectly, using this font address pointer. Unused font locations can be used as general-purpose scratch RAM, bearing in mind that the font registers are only 7 bits wide, not 8.

Table 9 shows how to use the single user-defined font register 0x05 to set the font address pointer, write font data, and read font data. A read action always returns font data from the font address pointer position. A write action sets the 7-bit font address pointer if the MSB is set, or writes 7-bit font data to the font address pointer position if the MSB is clear.

The font address pointer autoincrements after a valid access to the user-definable font data. Autoincrementing allows the 48-font data entries to be written and read back very quickly because the font pointer address needs to be set only once. After the last data location 0x2F has been written, further font data entries are ignored until the font address pointer is reset. If the font address pointer is set to an out-of-range address by writing data in the 0xB0 to 0xFF range, then address 0x00 is set instead (Table 10).

Table 11 shows the user-definable font pointer addresses.

Table 12 shows bit/segment mapping for user-defined fonts when applied to 7-, 14-, or 16-segment digits.

Table 13 illustrates how to set the font address pointer to a value within the acceptable range. D7 is set (1) to denote that the user is writing the font address pointer. If the user attempts to set the font address to one of the out-of-range addresses by writing data in range 0xB0 to 0xFF, then address 0x00 is set instead.

The font address pointer autoincrements from address (the last user font location) to point to address 0x00 (the first user font location). Thus, the font address pointer autoincrements indefinitely through font RAM.

Cursor Register

The cursor register controls the behavior of the cursor segments (Table 14). The MAX6851 controls 48 cursors in 48/1 mode, and 96 cursors in 96/2 mode. The cursor register selects one digit's cursor to be lit either continuously or blinking. All the other digits' cursors are off.

The 7 least significant bits (LSBs) of the cursor register identify the cursor position. The MSB is clear for the cursor to be on continuously, and set for the cursor to be lit only during the first half of each blink period.

The valid cursor position address range is contiguous: 0 to 47 (0x00 to 0x2F) for the first row, and 48 to 95 (0x30 to 0x5F) for the 2nd row. If the cursor register is programmed with an out-of-range value of 96 to 127 (0x60 to 0x7F), then all cursors are off.

Annunciator Registers

The annunciator registers are organized in bytes, with each segment of each grid being represented by 2 bits. Thus, the four annunciators segments allowed for each grid are represented by exactly 1 byte (Table 15). Annunciators are only available in 48/1 mode. The annunciator address map is shown in Table 4.

Configuration Register

The configuration register is used to enter and exit shutdown, lock the key VFD configuration settings, select the blink rate, globally clear the digit and annunciator data, reset the blink timing, and select between 48/1 and 96/2 display modes (Table 16).

2-Wire Interfaced, 7-, 14-, and 16-Segment Alpha-numeric Vacuum-Fluorescent Display Controller

Table 7. 16-Segment Display Font Map

| MSB LSB | x000 | x001 | x010 | x011 | x100 | x101 | x110 | x111 |
|------------|-------|-------|------|------|------|------|------|------|
| 0000 | RAM00 | RAM10 | | | | | | |
| 0001 | RAM01 | RAM11 | | | | | | |
| 0010 | RAM02 | RAM12 | | | | | | |
| 0011 | RAM03 | RAM13 | | | | | | |
| 0100 | RAM04 | RAM14 | | | | | | |
| 0101 | RAM05 | RAM15 | | | | | | |
| 0110 | RAM06 | RAM16 | | | | | | |
| 0111 | RAM07 | RAM17 | | | | | | |
| 1000 | RAM08 | | | | | | | |
| 1001 | RAM09 | | | | | | | |
| 1010 | RAM0A | | | | | | | |
| 1011 | RAM0B | | | | | | | |
| 1100 | RAM0C | | | | | | | |
| 1101 | RAM0D | | | | | | | |
| 1110 | RAM0E | | | | | | | |
| 1111 | RAM0F | | | | | | | |

Table 8. 14-Segment Display Font Map

| MSB LSB | x000 | x001 | x010 | x011 | x100 | x101 | x110 | x111 |
|------------|-------|-------|------|------|------|------|------|------|
| 0000 | RAM00 | RAM10 | | | | | | |
| 0001 | RAM01 | RAM11 | | | | | | |
| 0010 | RAM02 | RAM12 | | | | | | |
| 0011 | RAM03 | RAM13 | | | | | | |
| 0100 | RAM04 | RAM14 | | | | | | |
| 0101 | RAM05 | RAM15 | | | | | | |
| 0110 | RAM06 | RAM16 | | | | | | |
| 0111 | RAM07 | RAM17 | | | | | | |
| 1000 | RAM08 | | | | | | | |
| 1001 | RAM09 | | | | | | | |
| 1010 | RAM0A | | | | | | | |
| 1011 | RAM0B | | | | | | | |
| 1100 | RAM0C | | | | | | | |
| 1101 | RAM0D | | | | | | | |
| 1110 | RAM0E | | | | | | | |
| 1111 | RAM0F | | | | | | | |

2-Wire Interfaced, 7-, 14-, and 16-Segment Alpha-numeric Vacuum-Fluorescent Display Controller

MAX6851

Table 9. Memory Mapping of User-Defined Font Register 0x05

| COMMAND ADDRESS | REGISTER DATA | READ OR WRITE | FUNCTION |
|-----------------|---------------|---------------|---|
| 0x05 | 0x00–0x7F | Read | Read 7-bit user-definable font data entry from current font address. MSB of the register data is clear. Font address pointer is incremented after the read. |
| 0x05 | 0x00–0x7F | Write | Write 7-bit user-definable font data entry to current font address. Font address pointer is incremented after the write. |
| 0x05 | 0x80–0xFF | Write | Write font address pointer with the register data. |

Table 10. Font Pointer Address Behavior

| FONT POINTER ADDRESS | ACTION |
|----------------------|---|
| 0x80 to 0xAE | Valid range to set the font address pointer. Pointer autoincrements after a font data read or write, while pointer address remains in this range. |
| 0xAF | Last valid address. Further font data is ignored after a font data read or write to this pointer address. |
| 0xB0 to 0xFF | Invalid range to set the font address pointer. Pointer is set to 0x80. |

Table 11. User-Definable Font Pointer Addresses

| FONT CHARACTER | POWER-UP DEFAULT (BIN) | POWER-UP CHARACTER | COMMAND ADDRESS | REGISTER DATA | REGISTER DATA | | | | | | | |
|----------------|------------------------|--------------------|-----------------|---------------|---------------|----|----|----|----|----|----|----|
| | | | | | D7 | D6 | D5 | D4 | D3 | D2 | D1 | D0 |
| RAM00 byte 0 | 111 1110 | 7-segment 0 | 0x05 | 0x80 | 1 | 0 | 0 | 0 | 0 | 0 | 0 | 0 |
| RAM00 byte 1 | 000 0000 | — | 0x05 | 0x81 | 1 | 0 | 0 | 0 | 0 | 0 | 0 | 1 |
| RAM01 byte 0 | 011 0000 | 7-segment 1 | 0x05 | 0x82 | 1 | 0 | 0 | 0 | 0 | 0 | 1 | 0 |
| RAM01 byte 1 | 000 0000 | — | 0x05 | 0x83 | 1 | 0 | 0 | 0 | 0 | 0 | 1 | 1 |
| RAM02 byte 0 | 110 1101 | 7-segment 2 | 0x05 | 0x84 | 1 | 0 | 0 | 0 | 0 | 1 | 0 | 0 |
| RAM02 byte 1 | 000 0000 | — | 0x05 | 0x85 | 1 | 0 | 0 | 0 | 0 | 1 | 0 | 1 |
| RAM03 byte 0 | 111 1001 | 7-segment 3 | 0x05 | 0x86 | 1 | 0 | 0 | 0 | 0 | 1 | 1 | 0 |
| RAM03 byte 1 | 000 0000 | — | 0x05 | 0x87 | 1 | 0 | 0 | 0 | 0 | 1 | 1 | 1 |
| RAM04 byte 0 | 011 0011 | 7-segment 4 | 0x05 | 0x88 | 1 | 0 | 0 | 0 | 1 | 0 | 0 | 0 |
| RAM04 byte 1 | 000 0000 | — | 0x05 | 0x89 | 1 | 0 | 0 | 0 | 1 | 0 | 0 | 1 |
| RAM05 byte 0 | 101 1011 | 7-segment 5 | 0x05 | 0x8A | 1 | 0 | 0 | 0 | 1 | 0 | 1 | 0 |
| RAM05 byte 1 | 000 0000 | — | 0x05 | 0x8B | 1 | 0 | 0 | 0 | 1 | 0 | 1 | 1 |
| RAM06 byte 0 | 101 1111 | 7-segment 6 | 0x05 | 0x8C | 1 | 0 | 0 | 0 | 1 | 1 | 0 | 0 |
| RAM06 byte 1 | 000 0000 | — | 0x05 | 0x8D | 1 | 0 | 0 | 0 | 1 | 1 | 0 | 1 |
| RAM07 byte 0 | 111 0000 | 7-segment 7 | 0x05 | 0x8E | 1 | 0 | 0 | 0 | 1 | 1 | 1 | 0 |
| RAM07 byte 1 | 000 0000 | — | 0x05 | 0x8F | 1 | 0 | 0 | 0 | 1 | 1 | 1 | 1 |
| RAM08 byte 0 | 111 1111 | 7-segment 8 | 0x05 | 0x90 | 1 | 0 | 0 | 1 | 0 | 0 | 0 | 0 |
| RAM08 byte 1 | 000 0000 | — | 0x05 | 0x91 | 1 | 0 | 0 | 1 | 0 | 0 | 0 | 1 |
| RAM09 byte 0 | 111 1011 | 7-segment 9 | 0x05 | 0x92 | 1 | 0 | 0 | 1 | 0 | 0 | 1 | 0 |
| RAM09 byte 1 | 000 0000 | — | 0x05 | 0x93 | 1 | 0 | 0 | 1 | 0 | 0 | 1 | 1 |
| RAM10 byte 0 | 111 0111 | 7-segment A | 0x05 | 0x94 | 1 | 0 | 0 | 1 | 0 | 1 | 0 | 0 |

2-Wire Interfaced, 7-, 14-, and 16-Segment Alpha-numeric Vacuum-Fluorescent Display Controller

Table 11. User-Definable Font Pointer Addresses (continued)

| FONT CHARACTER | POWER-UP DEFAULT (BIN) | POWER-UP CHARACTER | COMMAND ADDRESS | REGISTER DATA | REGISTER DATA | | | | | | | |
|----------------|------------------------|--------------------|-----------------|---------------|---------------|----|----|----|----|----|----|----|
| | | | | | D7 | D6 | D5 | D4 | D3 | D2 | D1 | D0 |
| RAM10 byte 1 | 000 0000 | — | 0x05 | 0x95 | 1 | 0 | 0 | 1 | 0 | 1 | 0 | 1 |
| RAM11 byte 0 | 001 1111 | 7-segment B | 0x05 | 0x96 | 1 | 0 | 0 | 1 | 0 | 1 | 1 | 0 |
| RAM11 byte 1 | 000 0000 | — | 0x05 | 0x97 | 1 | 0 | 0 | 1 | 0 | 1 | 1 | 1 |
| RAM12 byte 0 | 100 1110 | 7-segment C | 0x05 | 0x98 | 1 | 0 | 0 | 1 | 1 | 0 | 0 | 0 |
| RAM12 byte 1 | 000 0000 | — | 0x05 | 0x99 | 1 | 0 | 0 | 1 | 1 | 0 | 0 | 1 |
| RAM13 byte 0 | 011 1101 | 7-segment D | 0x05 | 0x9A | 1 | 0 | 0 | 1 | 1 | 0 | 1 | 0 |
| RAM13 byte 1 | 000 0000 | — | 0x05 | 0x9B | 1 | 0 | 0 | 1 | 1 | 0 | 1 | 1 |
| RAM14 byte 0 | 100 1111 | 7-segment E | 0x05 | 0x9C | 1 | 0 | 0 | 1 | 1 | 1 | 0 | 0 |
| RAM14 byte 1 | 000 0000 | — | 0x05 | 0x9D | 1 | 0 | 0 | 1 | 1 | 1 | 0 | 1 |
| RAM15 byte 0 | 100 0111 | 7-segment F | 0x05 | 0x9E | 1 | 0 | 0 | 1 | 1 | 1 | 1 | 0 |
| RAM15 byte 1 | 000 0000 | — | 0x05 | 0x9F | 1 | 0 | 0 | 1 | 1 | 1 | 1 | 1 |
| RAM16 byte 0 | 000 1101 | 7-segment c | 0x05 | 0xA0 | 1 | 0 | 1 | 0 | 0 | 0 | 0 | 0 |
| RAM16 byte 1 | 000 0000 | — | 0x05 | 0xA1 | 1 | 0 | 1 | 0 | 0 | 0 | 0 | 1 |
| RAM17 byte 0 | 001 0101 | 7-segment n | 0x05 | 0xA2 | 1 | 0 | 1 | 0 | 0 | 0 | 1 | 0 |
| RAM17 byte 1 | 000 0000 | — | 0x05 | 0xA3 | 1 | 0 | 1 | 0 | 0 | 0 | 1 | 1 |
| RAM18 byte 0 | 111 0110 | 7-segment N | 0x05 | 0xA4 | 1 | 0 | 1 | 0 | 0 | 1 | 0 | 0 |
| RAM18 byte 1 | 000 0000 | — | 0x05 | 0xA5 | 1 | 0 | 1 | 0 | 0 | 1 | 0 | 1 |
| RAM19 byte 0 | 001 1101 | 7-segment o | 0x05 | 0xA6 | 1 | 0 | 1 | 0 | 0 | 1 | 1 | 0 |
| RAM19 byte 1 | 000 0000 | — | 0x05 | 0xA7 | 1 | 0 | 1 | 0 | 0 | 1 | 1 | 1 |
| RAM20 byte 0 | 000 0101 | 7-segment r | 0x05 | 0xA8 | 1 | 0 | 1 | 0 | 1 | 0 | 0 | 0 |
| RAM20 byte 1 | 000 0000 | — | 0x05 | 0xA9 | 1 | 0 | 1 | 0 | 1 | 0 | 0 | 1 |
| RAM21 byte 0 | 100 1111 | 7-segment t | 0x05 | 0xAA | 1 | 0 | 1 | 0 | 1 | 0 | 1 | 0 |
| RAM21 byte 1 | 000 0000 | — | 0x05 | 0xAB | 1 | 0 | 1 | 0 | 1 | 0 | 1 | 1 |
| RAM22 byte 0 | 001 1100 | 7-segment u | 0x05 | 0xAC | 1 | 0 | 1 | 0 | 1 | 1 | 0 | 0 |
| RAM22 byte 1 | 000 0000 | — | 0x05 | 0xAD | 1 | 0 | 1 | 0 | 1 | 1 | 0 | 1 |
| RAM23 byte 0 | 011 1011 | 7-segment y | 0x05 | 0xAE | 1 | 0 | 1 | 0 | 1 | 1 | 1 | 0 |
| RAM23 byte 1 | 000 0000 | — | 0x05 | 0xAF | 1 | 0 | 1 | 0 | 1 | 1 | 1 | 1 |

Shutdown Mode (S Data Bit D0) Format

The S bit in the configuration register selects shutdown or normal operation (Table 17). The display driver can be programmed while in shutdown mode, and shutdown mode is overridden when in display test mode. For normal operation, set S bit to 1.

When the MAX6851 is in shutdown mode, the multiplex oscillator is halted at the end of the current 100 μ s multiplex period (OSC = 4MHz), and the VFBLANK output is used to disable the VFD tube driver. Data in the digit and other control registers remain unaltered.

If the PUMP output is configured as a square-wave clock, then the PUMP output is forced low for the dura-

tion of shutdown, and the square-wave clock restored when the MAX6851 comes out of shutdown.

If the PHASE1 output or PHASE2 output is configured as a filament driver, then that output is forced low for the duration of shutdown and the filament drive waveforms restored when the MAX6851 comes out of shutdown.

When the MAX6851 comes out of shutdown, the external VFD tube driver is presumed to contain invalid data. The VFBLANK output is used to disable the VFD tube driver for the first multiplex cycle after exiting shutdown, clearing any invalid data. The next multiplex cycle uses newly sent valid data.

2-Wire Interfaced, 7-, 14-, and 16-Segment Alpha-numeric Vacuum-Fluorescent Display Controller

MAX6851

Table 12. User-Definable Character Mapping

| BIT/SEGMENT MAPPING FOR USER-DEFINABLE FONTS WHEN APPLIED TO 7-SEGMENT DIGITS | | | | | | | |
|--|-----------|-----------|-----------|-----------|-----------|-----------|-----------|
| FONT BYTE | BIT 6 | BIT 5 | BIT 4 | BIT 3 | BIT 2 | BIT 1 | BIT 0 |
| RAMxx byte 0 | 7-seg a | 7-seg b | 7-seg c | 7-seg d | 7-seg e | 7-seg f | 7-seg g |
| RAMxx byte 1 | No action | No action | No action | No action | No action | No action | No action |
| BIT/SEGMENT MAPPING FOR USER-DEFINABLE FONTS WHEN APPLIED TO 14-SEGMENT DIGITS | | | | | | | |
| FONT BYTE | BIT 6 | BIT 5 | BIT 4 | BIT 3 | BIT 2 | BIT 1 | BIT 0 |
| RAMxx byte 0 | 7-seg a | 7-seg b | 7-seg c | 7-seg d | 7-seg e | 7-seg f | 7-seg g1 |
| RAMxx byte 1 | 14-seg g2 | 14-seg h | 14-seg i | 14-seg j | 14-seg k | 14-seg l | 14-seg m |
| BIT/SEGMENT MAPPING FOR USER-DEFINABLE FONTS WHEN APPLIED TO 16-SEGMENT DIGITS | | | | | | | |
| FONT BYTE | BIT 6 | BIT 5 | BIT 4 | BIT 3 | BIT 2 | BIT 1 | BIT 0 |
| RAMxx byte 0 | 7-seg a1 | 7-seg b | 7-seg c | 7-seg d2 | 7-seg e | 7-seg f | 7-seg g1 |
| RAMxx byte 1 | 14-seg g2 | 14-seg h | 14-seg i | 14-seg j | 14-seg k | 14-seg l | 14-seg m |

Table 13. Setting a Font Character to RAM

| MODE | COMMAND ADDRESS | REGISTER DATA | | | | | | | |
|--|-----------------|---------------|--------------------------------------|----|----|----|----|----|----|
| | | D7 | D6 | D5 | D4 | D3 | D2 | D1 | D0 |
| Set font address to minimum (zero) with data 128 or 0x80. (Note that this address is set as power-up default.) | 0x05 | 1 | 0 | 0 | 0 | 0 | 0 | 0 | 0 |
| Set font address to maximum (47 or 0x2F) with data 175 or 0xAF. | 0x05 | 1 | 0 | 1 | 0 | 1 | 1 | 1 | 1 |
| Set font address out of range (48 or 0x30) with data 176 or 0xB0 results in font address pointer being set to zero. | 0x05 | 1 | 1 | 1 | 1 | 1 | 0 | 0 | 0 |
| UP TO | 0x05 | UP TO | | | | | | | |
| Set font address out of range (127 or 0x7F) with data 255 or 0xFF results in font address pointer being set to zero. | 0x05 | 1 | 1 | 1 | 1 | 1 | 1 | 1 | 1 |
| Read font address. | 0x05 | 0 | Font address; has value 0x00 to 0xAF | | | | | | |

Table 14. Cursor Register Format

| MODE | COMMAND ADDRESS | REGISTER DATA | | | | | | | |
|--|-----------------|---------------|------------------------|----|----|----|----|----|----|
| | | D7 | D6 | D5 | D4 | D3 | D2 | D1 | D0 |
| Cursor register. | 0x0F | BLINK | CURSOR POSITION | | | | | | |
| 1st row digit 0's cursor is lit continuously. | 0x0F | 0 | 0 | 0 | 0 | 0 | 0 | 0 | 0 |
| 1st row digit 0's cursor is lit only for the first half of each blink period. | 0x0F | 1 | 0 | 0 | 0 | 0 | 0 | 0 | 0 |
| UP TO | 0x0F | UP TO | | | | | | | |
| 2nd row digit 47's cursor is lit continuously. | 0x0F | 0 | 1 | 0 | 1 | 1 | 1 | 1 | 1 |
| 2nd row digit 47's cursor is lit only for the first half of each blink period. | 0x0F | 1 | 1 | 0 | 1 | 1 | 1 | 1 | 1 |
| No cursor is lit. | 0x0F | X | 1 | 1 | X | X | X | X | X |

2-Wire Interfaced, 7-, 14-, and 16-Segment Alpha-numeric Vacuum-Fluorescent Display Controller

Table 15. Annunciator Registers Format

| ANNUNCIATOR BYTE | REGISTER DATA | | | | | | | |
|--|----------------|----|----------------|----|----------------|----|----------------|----|
| | D7 | D6 | D5 | D4 | D3 | D2 | D1 | D0 |
| BIT ALLOCATIONS | ANNUNCIATOR A4 | | ANNUNCIATOR A3 | | ANNUNCIATOR A2 | | ANNUNCIATOR A1 | |
| Annunciator A1 is off. | X | X | X | X | X | X | 0 | 0 |
| Annunciator A1 is lit only for the first half of each blink period. | X | X | X | X | X | X | 0 | 1 |
| Annunciator A1 is lit only for the second half of each blink period. | X | X | X | X | X | X | 1 | 0 |
| Annunciator A1 is lit continuously. | X | X | X | X | X | X | 1 | 1 |
| Annunciator A2 is off. | X | X | X | X | 0 | 0 | X | X |
| Annunciator A2 is lit only for the first half of each blink period. | X | X | X | X | 0 | 1 | X | X |
| Annunciator A2 is lit only for the second half of each blink period. | X | X | X | X | 1 | 0 | X | X |
| Annunciator A2 is lit continuously. | X | X | X | X | 1 | 1 | X | X |
| Annunciator A3 is off. | X | X | 0 | 0 | X | X | X | X |
| Annunciator A3 is lit only for the first half of each blink period. | X | X | 0 | 1 | X | X | X | X |
| Annunciator A3 is lit only for the second half of each blink period. | X | X | 1 | 0 | X | X | X | X |
| Annunciator A3 is lit continuously. | X | X | 1 | 1 | X | X | X | X |
| Annunciator A4 is off. | 0 | 0 | X | X | X | X | X | X |
| Annunciator A4 is lit only for the first half of each blink period. | 0 | 1 | X | X | X | X | X | X |
| Annunciator A4 is lit only for the second half of each blink period. | 1 | 0 | X | X | X | X | X | X |
| Annunciator A4 is lit continuously. | 1 | 1 | X | X | X | X | X | X |

Table 16. Configuration Register Format

| MODE | REGISTER DATA | | | | | | | |
|------------------------|---------------|----|----|----|----|----|----|----|
| | D7 | D6 | D5 | D4 | D3 | D2 | D1 | D0 |
| Configuration register | P | M | R | T | F | B | L | S |

Table 17. Shutdown Control (S Data Bit D0) Format

| MODE | REGISTER DATA | | | | | | | |
|------------------|---------------|----|----|----|----|----|----|----|
| | D7 | D6 | D5 | D4 | D3 | D2 | D1 | D0 |
| Shutdown | P | M | R | T | F | B | L | 0 |
| Normal operation | P | M | R | T | F | B | L | 1 |

Configuration Lock (L Data Bit D1) Format

The configuration lock register is a safety feature to reduce the risk of the VFD configuration settings being inadvertently changed due to spurious writes if software fails. When set, the shift-limit register (0x0E), grids register (0x03), and output map data (0x06) can be read but cannot be written. The output map data pointer itself may be written in order to allow the output map data to be read back (Table 18).

Blink Rate Selection (B Data Bit D2) Format

The B bit in the configuration register selects the blink rate of the cursor and annunciator segments. This is the speed that the segments blink on and off when blinking is selected for these segments. The frequency of the multiplex clock OSC and the setting of the B bit (Table 19) determine the blink rate.

2-Wire Interfaced, 7-, 14-, and 16-Segment Alpha-numeric Vacuum-Fluorescent Display Controller

Table 18. Configuration Lock (L Data Bit D1) Format

| MODE | REGISTER DATA | | | | | | | |
|----------|---------------|----|----|----|----|----|----|----|
| | D7 | D6 | D5 | D4 | D3 | D2 | D1 | D0 |
| Unlocked | P | M | R | T | F | B | 0 | S |
| Locked | P | M | R | T | F | B | 1 | S |

Font Selection (F Data Bit D3) Format

The F bit (Table 20) selects the internal font map between 14-segment and 16-segment displays. If a 7-segment display is used, the F bit can be either set or cleared.

Global Blink Timing Synchronization (T Data Bit D4) Format

Setting the T bit in multiple MAX6851s at the same time (or in quick succession) synchronizes the blink timing across all the devices (Table 21). The display multiplexing sequence is also reset, which can give rise to a one-time display flicker when the register is written.

Global Clear Digit Data (R Data Bit D5) Format

When the R bit (Table 22) is set, the segment and annunciator data are cleared.

Display Mode (M Data Bit D6) Format

The M bit (Table 23) selects the display modes (Table 1). The display modes trade maximum allowable number of digits (mode 96/2) against the availability of annunciator segments (mode 48/1).

Blink Phase Readback (P Data Bit D7) Format

When the configuration register is read, the P bit reflects the blink phase at that time (Table 24).

Serial Interface

Serial Addressing

The MAX6851 operates as a slave that sends and receives data through an I²C-compatible 2-wire interface. The interface uses a serial data line (SDA) and a serial clock line (SCL) to achieve bidirectional communication between master(s) and slave(s). A master (typically a microcontroller) initiates all data transfers to and from the MAX6851, and generates the SCL clock that synchronizes the data transfer (Figure 8).

The MAX6851 SDA line operates as both an input and an open-drain output. A pullup resistor, typically 4.7k Ω , is required on the SDA. The MAX6851 SCL line operates only as an input. A pullup resistor, typically 4.7k Ω , is required on SCL if there are multiple masters on the 2-wire interface, or if the master in a single-master system has an open-drain SCL output.

Each transmission consists of a START condition (Figure 9) sent by a master, followed by the MAX6851 7-bit slave address plus R/W bit (Figure 10), a register address byte, 1 or more data bytes, and finally a STOP condition (Figure 9).

Start and Stop Conditions

Both SCL and SDA remain high when the interface is not busy. A master signals the beginning of a transmission with a START (S) condition by transitioning SDA from high to low while SCL is high. When the master has finished communicating with the slave, it issues a STOP (P) condition by transitioning the SDA from low to high while SCL is high. The bus is then free for another transmission (Figure 9).

Bit Transfer

One data bit is transferred during each clock pulse. The data on the SDA line must remain stable while SCL is high (Figure 11).

Acknowledge

The acknowledge bit is a clocked 9th bit that the recipient uses to handshake receipt of each byte of data (Figure 12). Thus, each byte transferred effectively requires 9 bits. The master generates the 9th clock pulse, and the recipient pulls down SDA during the acknowledge clock pulse, such that the SDA line is stable low during the high period of the clock pulse. When the master is transmitting to the MAX6851, the MAX6851 generates the acknowledge bit because the MAX6851 is the recipient. When the MAX6851 is transmitting to the master, the master generates the acknowledge bit because the master is the recipient. In this case, the master acknowledges all bytes received from the MAX6851 except for the last byte required, after which the master issues a STOP condition to signify end of transmission.

Slave Address

The MAX6851 has a 7-bit-long slave address (Figure 10). The eighth bit following the 7-bit slave address is the R/W bit. Set it low for a write command, high for a read command.

The first 5 bits (MSBs) of the MAX6851 slave address are always 11101. Slave address bits A1 and A0 correspond to the state of the address input pin AD0. This input may be connected to GND, V+, SDA, or SCL. The MAX6851 has four possible slave addresses and therefore a maximum of four MAX6851 devices may share the same interface.

2-Wire Interfaced, 7-, 14-, and 16-Segment Alpha-numeric Vacuum-Fluorescent Display Controller

Table 19. Blink Rate Selection (B Data Bit D2) Format

| MODE | REGISTER DATA | | | | | | | |
|---|---------------|----|----|----|----|----|----|----|
| | D7 | D6 | D5 | D4 | D3 | D2 | D1 | D0 |
| Slow blinking (cursor and annunciators blink on for 1s, off for 1s, for OSC = 4MHz) | P | M | R | T | F | 0 | L | S |
| Fast blinking (cursor and annunciators blink on for 0.5s, off for 0.5s, for OSC = 4MHz) | P | M | R | T | F | 1 | L | S |

Table 20. Font Selection (F Data Bit D3) Format

| MODE | REGISTER DATA | | | | | | | |
|-------------------------|---------------|----|----|----|----|----|----|----|
| | D7 | D6 | D5 | D4 | D3 | D2 | D1 | D0 |
| 14- and 7-segment fonts | P | M | R | T | 0 | B | L | S |
| 16- and 7-segment fonts | P | M | R | T | 1 | B | L | S |

Table 21. Global Blink Timing Synchronization (T Data Bit D4) Format

| MODE | REGISTER DATA | | | | | | | |
|--|---------------|----|----|----|----|----|----|----|
| | D7 | D6 | D5 | D4 | D3 | D2 | D1 | D0 |
| Blink timing counters are unaffected. | P | M | R | 0 | F | B | L | S |
| Blink timing counters are cleared at the end of the present multiplex cycle. | P | M | R | 1 | F | B | L | S |

Table 22. Global Clear Digit Data (R Data Bit D5) Format

| MODE | REGISTER DATA | | | | | | | |
|--|---------------|----|----|----|----|----|----|----|
| | D7 | D6 | D5 | D4 | D3 | D2 | D1 | D0 |
| Segment and annunciator data are unaffected. | P | M | 0 | T | F | B | L | S |
| Segment and annunciator data (address range 0x20 to 0x7F) are cleared during the I ² C acknowledge. | P | M | 1 | T | F | B | L | S |

Table 23. Display Mode (M Data Bit D6) Format

| MODE | DISPLAY TYPE | REGISTER DATA | | | | | | | |
|------|------------------------------------|---------------|----|----|----|----|----|----|----|
| | | D7 | D6 | D5 | D4 | D3 | D2 | D1 | D0 |
| 48/1 | Up to 48 digits, 1 digit per grid | P | 0 | R | T | F | B | L | S |
| 96/2 | Up to 96 digits, 2 digits per grid | P | 1 | R | T | F | B | L | S |

Table 24. Blink Phase Readback (P Data Bit D7) Format

| MODE | REGISTER DATA | | | | | | | |
|----------------|---------------|----|----|----|----|----|----|----|
| | D7 | D6 | D5 | D4 | D3 | D2 | D1 | D0 |
| P1 blink phase | 0 | M | R | T | F | B | L | S |
| P0 blink phase | 1 | M | R | T | F | B | L | S |

2-Wire Interfaced, 7-, 14-, and 16-Segment Alpha-numeric Vacuum-Fluorescent Display Controller

MAX6851

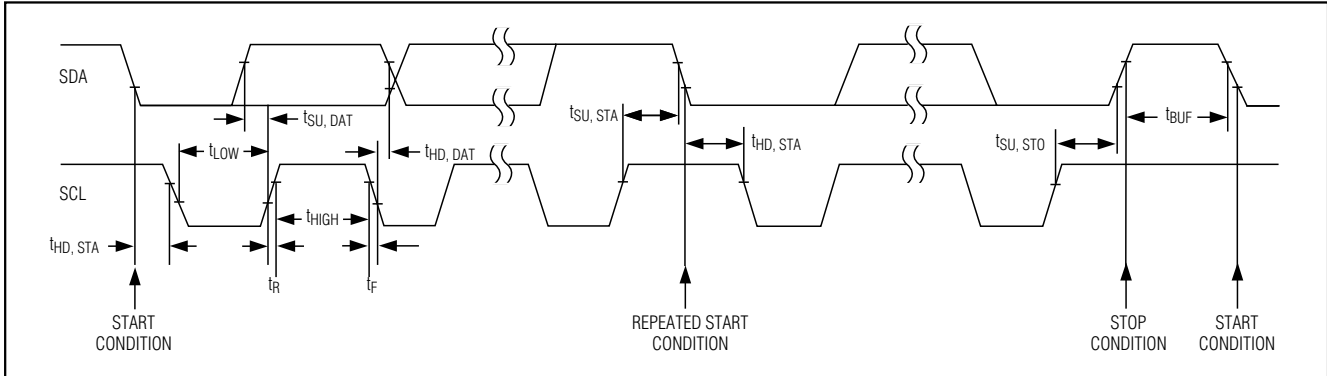


Figure 8. 2-Wire Serial Interface Timing Details

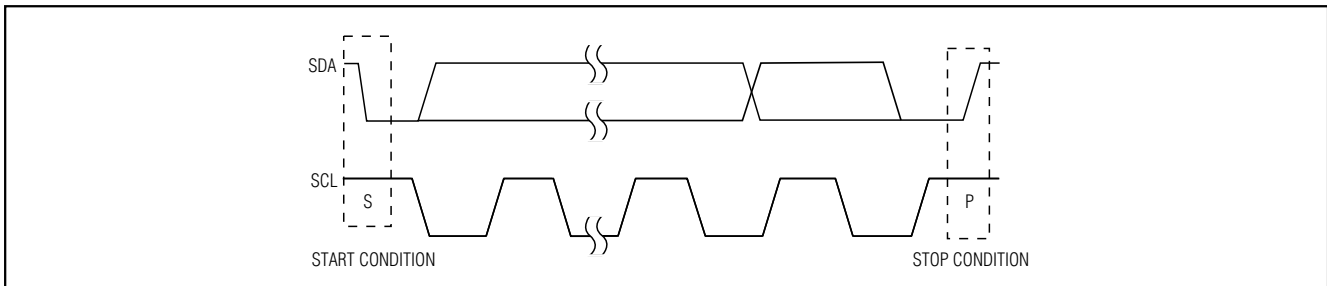


Figure 9. Start and Stop Conditions

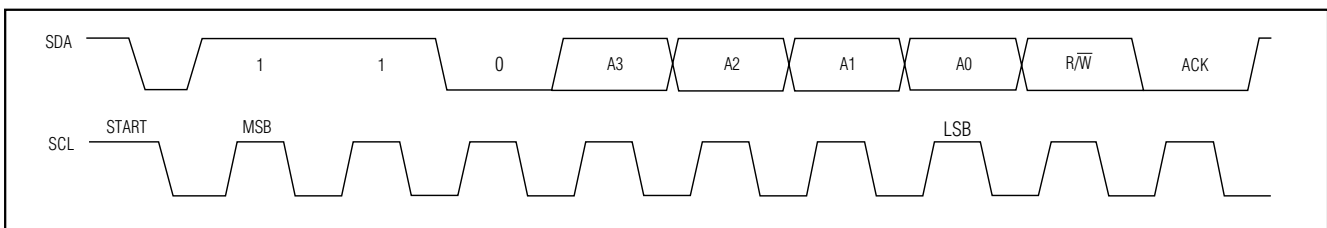


Figure 10. Slave Address

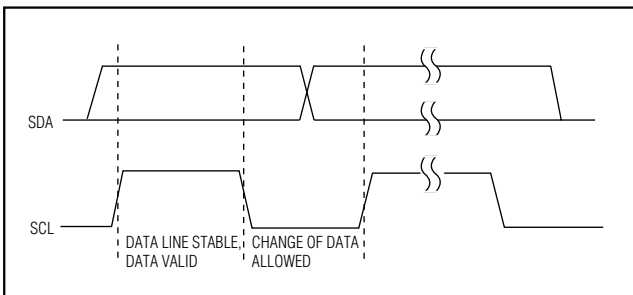


Figure 11. Bit Transfer

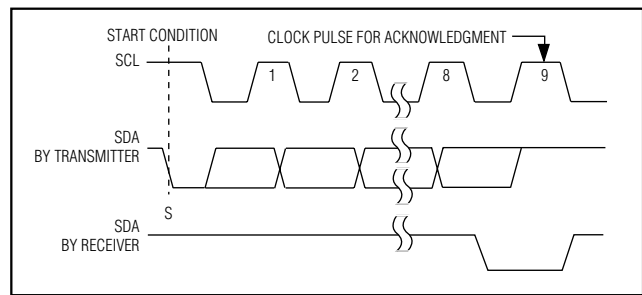


Figure 12. Acknowledge

2-Wire Interfaced, 7-, 14-, and 16-Segment Alpha-numeric Vacuum-Fluorescent Display Controller

Message Format for Writing

A write to the MAX6851 comprises the transmission of the MAX6851's slave address with the R/W bit set to zero, followed by at least 1 byte of information. The first byte of information is the command byte, which determines which register of the MAX6851 is to be written by the next byte, if received. If a STOP condition is detected after the command byte is received, then the MAX6851 takes no further action (Figure 13) beyond storing the command byte.

Any bytes received after the command byte are data bytes. The first data byte goes into the internal register of the MAX6851 selected by the command byte (Figure 14).

If multiple data bytes are transmitted before a STOP condition is detected, these bytes are generally stored in subsequent MAX6851 internal registers because the command byte address generally autoincrements (Table 26) (Figure 15).

Message Format for Reading

The MAX6851 is read using the MAX6851's internally stored command byte as address pointer, the same way the stored command byte is used as address pointer for a write. The pointer generally autoincrements after each data byte is read using the same rules as for a write (Table 26). Thus, a read is initiated by first configuring the MAX6851's command byte by perform-

ing a write (Figure 13). The master can now read n consecutive bytes from the MAX6851, with the first data byte being read from the register addressed by the initialized command byte (Figure 15). When performing read-after-write verification, reset the command byte's address because the stored byte address generally is autoincremented after the write (Table 26).

Operation with Multiple Masters

If the MAX6851 is operated on a 2-wire interface with multiple masters, a master reading the MAX6851 should use a repeated start between the write, which sets the MAX6851's address pointer, and the read(s) that takes the data from the location(s). This is because it is possible for master 2 to take over the bus after master 1 has set up the MAX6851's address pointer but before master 1 has read the data. If master 2 subsequently changes the MAX6851's address pointer, then master 1's delayed read may be from an unexpected location.

Command Address Autoincrementing

Address autoincrementing allows the MAX6851 to be configured with the shortest number of transmissions by minimizing the number of times the command byte needs to be sent. The command address stored in the MAX6851 generally increments after each data byte is written or read (Table 26).

Table 25. MAX6851 Address Map

| PIN CONNECTION | DEVICE ADDRESS | | | | | | |
|----------------|----------------|----|----|----|----|----|----|
| | A6 | A5 | A4 | A3 | A2 | A1 | A0 |
| AD0 | | | | | | | |
| GND | 1 | 1 | 1 | 0 | 1 | 0 | 0 |
| V+ | 1 | 1 | 1 | 0 | 1 | 0 | 1 |
| SDA | 1 | 1 | 1 | 0 | 1 | 1 | 0 |
| SCL | 1 | 1 | 1 | 0 | 1 | 1 | 1 |

Table 26. Command Address Autoincrement Rules

| COMMAND BYTE ADDRESS RANGE | AUTOINCREMENT BEHAVIOR |
|----------------------------|---|
| x0000000 to x0000100 | Command byte address autoincrements after byte read or written. |
| X0000101, x0000110 | Command byte address remains at x0000101 or x0000110 after byte read or written, but the font address pointer (x0000101) or output map address pointer (x0000110) autoincrements. |
| X0010000 | Factory reserved; do not write to this register. |
| x0010001 to x1111110 | Command byte address autoincrements after byte read or written. |
| x1111111 | Command byte address remains at x1111111 after byte read or written. |

2-Wire Interfaced, 7-, 14-, and 16-Segment Alpha-numeric Vacuum-Fluorescent Display Controller

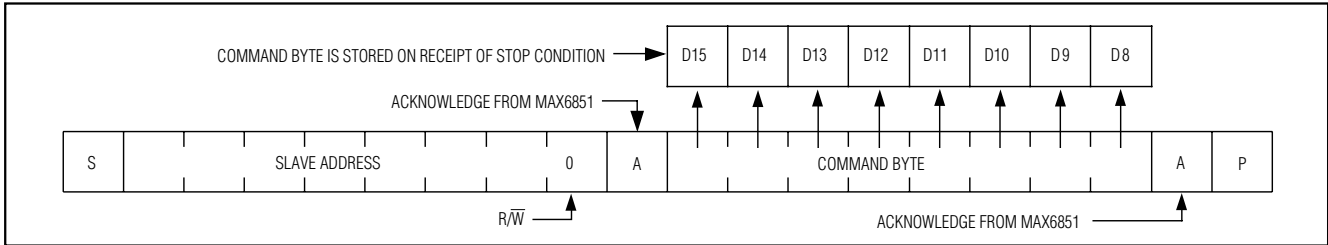


Figure 13. Command Byte Received

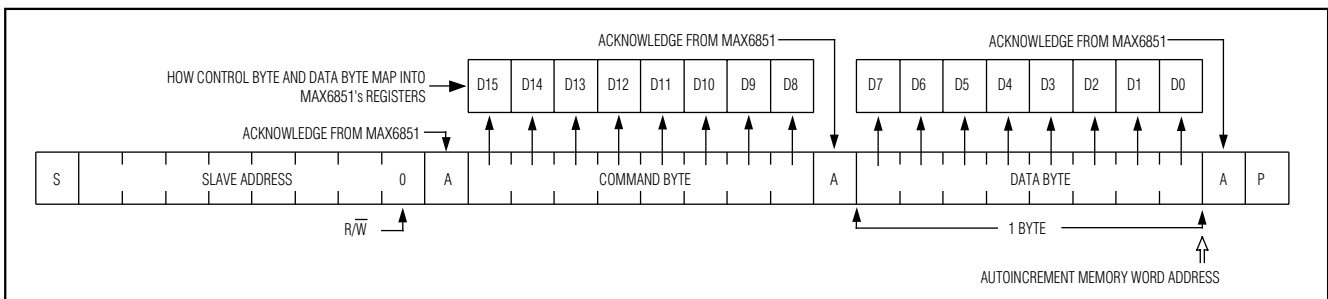


Figure 14. Command and Single Data Byte Received

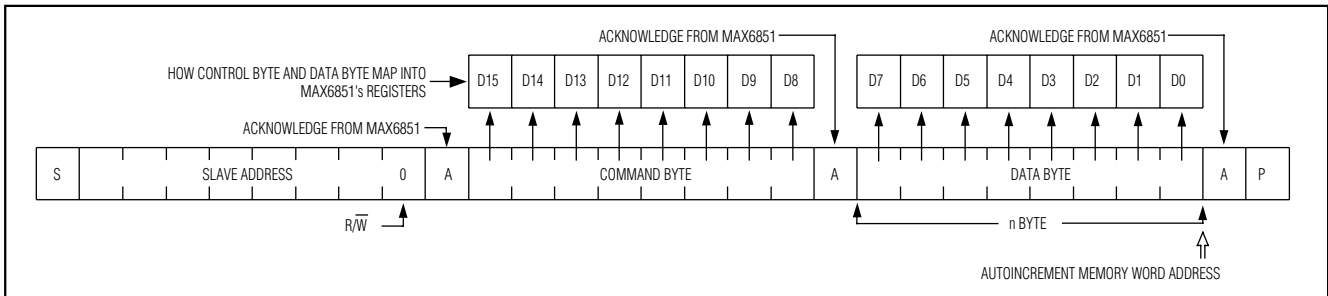


Figure 15. n Data Bytes Received

VFD Driver Serial Interface

The VFD driver interface on the MAX6851 is a serial interface using three output pins, VFLOAD, VFCLK, and VFDOUT (Figure 16) to drive industry-standard, shift-register, high-voltage grid/anode VFD tube drivers (Figures 4 and 6). The speed of VFCLK is 1MHz when OSC is 4MHz. The maximum speed of VFCLK is 2MHz when OSC is 8MHz. This interface is used to transfer display data from the MAX6851 to the VFD tube driver. The serial interface bit stream output is programmable up to 84 bits, which are labeled DD0–DD83.

The functions of the three interface pins are as follows: VFCLK is the serial clock output, which shifts data on its falling edge from the MAX6851's 84-bit output shift register to VFLOAD.

VFDOUT is the serial data output. The data changes on VFCLK's falling edge, and is stable when it is sampled by the display driver on the rising edge of VFCLK.

VFLOAD is the latch-load output. VFLOAD is high to transfer data from the display tube driver's shift register to the display driver's output latch (transparent mode), and low to retain that data in the display driver's output latch.

A fourth output pin, VFBLANK, provides gating control of the tube driver. VFBLANK can be configured to be either high or low using the VFBLANK polarity register (Table 29) to enable the VFD tube driver. In the default condition, VFBLANK is high to disable the VFD tube driver, which is expected to force its driver outputs low to blank the display without altering the contents of its output latches. In the default condition, VFBLANK is low to

2-Wire Interfaced, 7-, 14-, and 16-Segment Alpha-numeric Vacuum-Fluorescent Display Controller

enable its VFD tube driver outputs to follow the state of the VFD tube driver's output latches. The VFBLANK output is used for PWM intensity control and to disable the VFD tube driver in shutdown.

Multiplex Architecture

The multiplex engine transmits grid and anode control data to the external VFD driver using the VFCLK, VFDOOUT, and VFLOAD. The number of data bits M transmitted is set by the user in the shift-limit register (Table 31). Figure 17 is the VFD multiplex timing diagram.

The essential rules for multiplex action are as follows:

- The external VFD driver's data latch contains the data for the current grid being displayed.
- The VFBLANK input is controlled to provide the PWM intensity control.

- The VFCLK and VFDOOUT outputs are used to fill the external VFD driver's shift register with the multiplex data for the next grid, during the multiplex timeslot for the current grid.
- The VFLOAD output loads the new grid-anode data pattern at the start of its multiplex cycle.

Grids Register

The grids register sets how many grids are multiplexed from 1 to 48 (Table 27).

When the grids register is written, the external VFD tube driver is presumed to contain invalid data. The VFBLANK output is used to disable the VFD tube driver for the first multiplex cycle after exiting shutdown, clearing any invalid data. The next multiplex cycle uses newly sent, valid data. If the grids register is written with an out-of-range value of 0x30 to 0xFF, then the value 0x2F is stored instead.

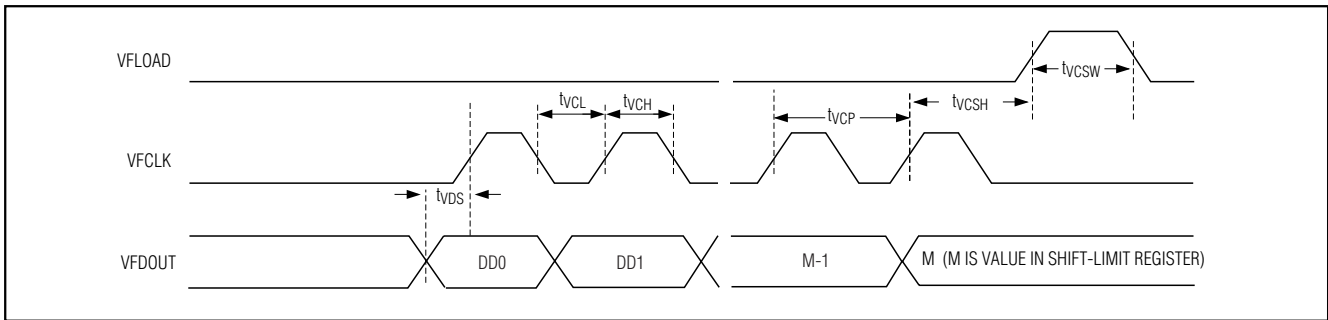


Figure 16. VFD Interface Timing Diagram

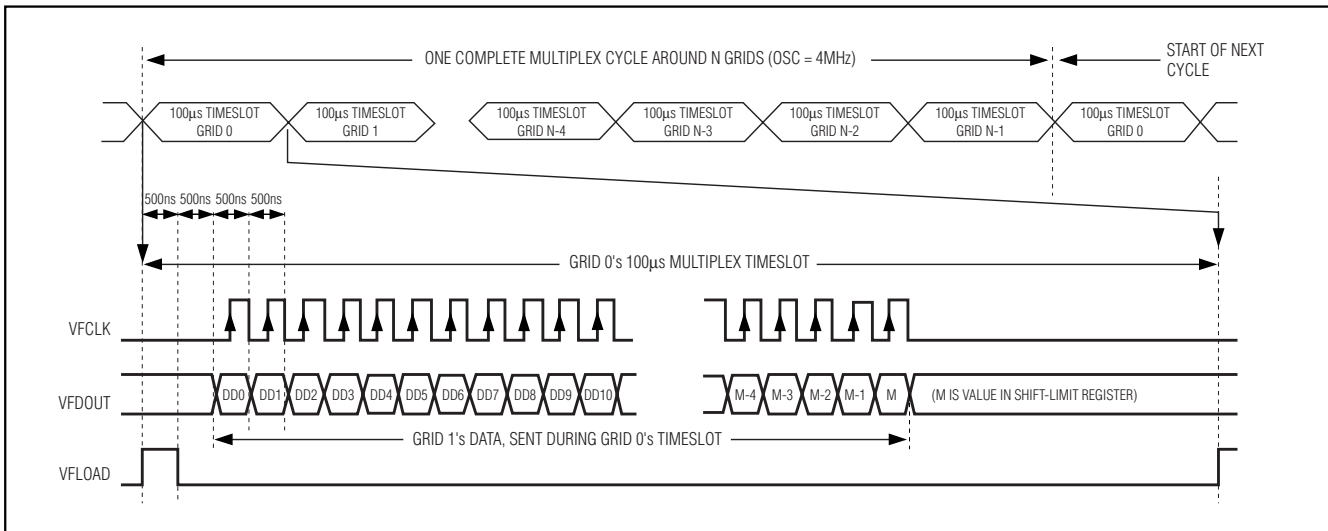


Figure 17. VFD Multiplex Timing Diagram

2-Wire Interfaced, 7-, 14-, and 16-Segment Alpha-numeric Vacuum-Fluorescent Display Controller

MAX6851

Table 27. Grids Register Format

| GRIDS | COMMAND ADDRESS | REGISTER DATA | | | | | | | | HEX CODE |
|---------------------------------|-----------------|---------------|----|----|----|----|----|----|----|----------|
| | | D7 | D6 | D5 | D4 | D3 | D2 | D1 | D0 | |
| Display has 1 grid: G0 (always) | 0x03 | 0 | 0 | 0 | 0 | 0 | 0 | 0 | 0 | 0x00 |
| Display has 2 grids: G0 and G1 | 0x03 | 0 | 0 | 0 | 0 | 0 | 0 | 0 | 1 | 0x01 |
| Display has 3 grids: G0 to G2 | 0x03 | 0 | 0 | 0 | 0 | 0 | 0 | 1 | 0 | 0x02 |
| Display has 4 grids: G0 to G3 | 0x03 | 0 | 0 | 0 | 0 | 0 | 0 | 1 | 1 | 0x03 |
| UP TO | 0x03 | 0 | 0 | — | — | — | — | — | — | — |
| Display has 45 grids: G0 to G44 | 0x03 | 0 | 0 | 1 | 0 | 1 | 1 | 0 | 0 | 0x2C |
| Display has 46 grids: G0 to G45 | 0x03 | 0 | 0 | 1 | 0 | 1 | 1 | 0 | 1 | 0x2D |
| Display has 47 grids: G0 to G46 | 0x03 | 0 | 0 | 1 | 0 | 1 | 1 | 1 | 0 | 0x2E |
| Display has 48 grids: G0 to G47 | 0x03 | 0 | 0 | 1 | 0 | 1 | 1 | 1 | 1 | 0x2F |

Table 28. Intensity Register Format

| DUTY CYCLE | VFBLANK BEHAVIOR (OSC = 4MHz) | COMMAND ADDRESS | REGISTER DATA | | | | | | | | HEX CODE |
|----------------|---|-----------------|---------------|----|----|----|----|----|----|----|----------|
| | | | D7 | D6 | D5 | D4 | D3 | D2 | D1 | D0 | |
| 1/16 (min on) | High for 6.25µs, low for 6.25µs, high for 87.5µs | 0x02 | X | X | X | X | 0 | 0 | 0 | 0 | 0xX0 |
| 2/16 | High for 6.25µs, low for 12.5µs, high for 81.25µs | 0x02 | X | X | X | X | 0 | 0 | 0 | 1 | 0xX1 |
| 3/16 | High for 6.25µs, low for 18.75µs, high for 75µs | 0x02 | X | X | X | X | 0 | 0 | 1 | 0 | 0xX2 |
| 4/16 | High for 6.25µs, low for 25µs, high for 68.75µs | 0x02 | X | X | X | X | 0 | 0 | 1 | 1 | 0xX3 |
| 5/16 | High for 6.25µs, low for 31.25µs, high for 62.5µs | 0x02 | X | X | X | X | 0 | 1 | 0 | 0 | 0xX4 |
| 6/16 | High for 6.25µs, low for 37.5µs, high for 56.25µs | 0x02 | X | X | X | X | 0 | 1 | 0 | 1 | 0xX5 |
| 7/16 | High for 6.25µs, low for 43.75µs, high for 50µs | 0x02 | X | X | X | X | 0 | 1 | 1 | 0 | 0xX6 |
| 8/16 | High for 6.25µs, low for 50µs, high for 43.75µs | 0x02 | X | X | X | X | 0 | 1 | 1 | 1 | 0xX7 |
| 9/16 | High for 6.25µs, low for 56.25µs, high for 37.5µs | 0x02 | X | X | X | X | 1 | 0 | 0 | 0 | 0xX8 |
| 10/16 | High for 6.25µs, low for 62.5µs, high for 31.25µs | 0x02 | X | X | X | X | 1 | 0 | 0 | 1 | 0xX9 |
| 11/16 | High for 6.25µs, low for 68.75µs, high for 25µs | 0x02 | X | X | X | X | 1 | 0 | 1 | 0 | 0xXA |
| 12/16 | High for 6.25µs, low for 75µs, high for 18.75µs | 0x02 | X | X | X | X | 1 | 0 | 1 | 1 | 0xXB |
| 13/16 | High for 6.25µs, low for 81.25µs, high for 12.5µs | 0x02 | X | X | X | X | 1 | 1 | 0 | 0 | 0xXC |
| 14/16 | High for 6.25µs, low for 87.5µs, high for 6.25µs | 0x02 | X | X | X | X | 1 | 1 | 0 | 1 | 0xXD |
| 15/16 | High for 6.25µs, low for 93.75µs | 0x02 | X | X | X | X | 1 | 1 | 1 | 0 | 0xXE |
| 15/16 (max on) | High for 6.25µs, low for 93.75µs | 0x02 | X | X | X | X | 1 | 1 | 1 | 1 | 0xFF |

2-Wire Interfaced, 7-, 14-, and 16-Segment Alpha-numeric Vacuum-Fluorescent Display Controller

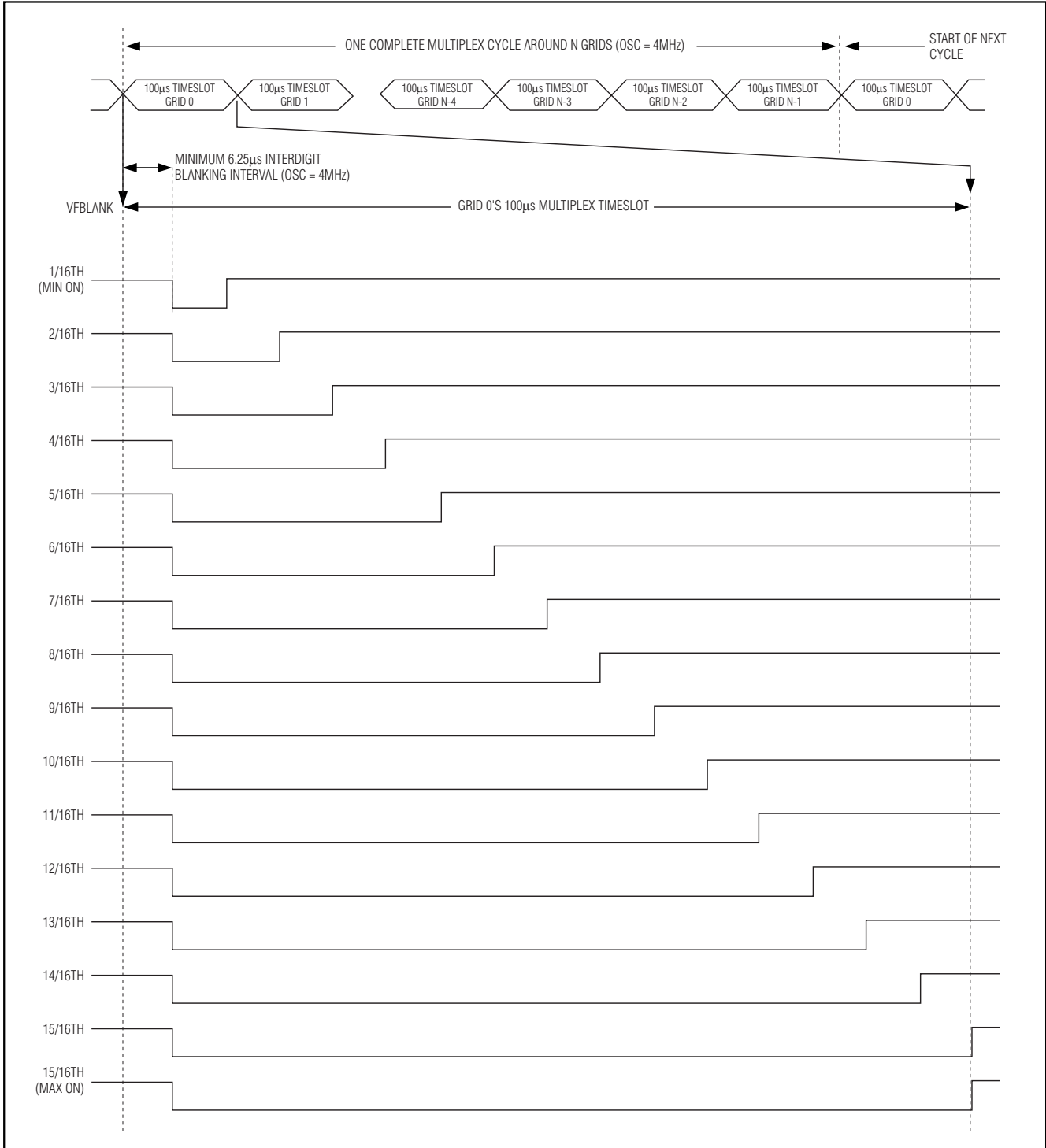


Figure 18. BLANK and Intensity Timing Diagram

2-Wire Interfaced, 7-, 14-, and 16-Segment Alpha-numeric Vacuum-Fluorescent Display Controller

Table 29. VFBLANK Polarity Register Format

| GRIDS | COMMAND ADDRESS | REGISTER DATA | | | | | | | | HEX CODE |
|---|-----------------|---------------|----|----|----|----|----|----|----|----------|
| | | D7 | D6 | D5 | D4 | D3 | D2 | D1 | D0 | |
| VFBLANK is high to disable the display. | 0x01 | X | X | X | X | X | X | 0 | 0 | 0xX0 |
| VFBLANK is low to disable the display. | 0x01 | X | X | X | X | X | X | 1 | 0 | 0xX2 |

Table 30. Display-Test and Device ID Register Format

| MODE | COMMAND ADDRESS | REGISTER DATA | | | | | | | |
|--|-----------------|---------------|----|----|----|----|----|----|----|
| | | D7 | D6 | D5 | D4 | D3 | D2 | D1 | D0 |
| Normal operation | 0x07 | X | X | X | X | X | X | X | 0 |
| Display test | 0x07 | X | X | X | X | X | X | X | 1 |
| Read MAX6851 device ID and display test status | 0x07 | 0 | 0 | 0 | 0 | 0 | 1 | 0 | DT |

Table 31. Shift-Limit Register Format

| SHIFT LIMIT | COMMAND ADDRESS | REGISTER DATA | | | | | | | | HEX CODE |
|--------------------------------------|-----------------|---------------|----|----|----|----|----|----|----|----------|
| | | D7 | D6 | D5 | D4 | D3 | D2 | D1 | D0 | |
| Minimum setting example (01) | 0x0E | 0 | 0 | 0 | 0 | 0 | 0 | 0 | 1 | 0x01 |
| Maximum setting example (83 or 0x53) | 0x0E | 0 | 1 | 1 | 1 | 1 | 0 | 0 | 1 | 0x53 |

Intensity Register

Digital control of display brightness is provided by pulse-width modulation of the tube blanking time, which is controlled by the lower nibble of the intensity register (Table 28). The modulator scales the VFBLANK output in 15 steps from a minimum of 1/16 up to 15/16 of each grid's multiplex period. Figure 18 shows the modulator behavior when the VFBLANK polarity register is set to 0x00 (Table 29), so VFBLANK is high to disable (blank) the display.

The minimum off-time period of a 1/16 multiplex period (6.25µs with OSC = 4MHz) is always at the start of the multiplex cycle. This allows time for slow display drivers to turn off, and slow display phosphors time to decay between grids. Thus, image ghosting is avoided. If a display has very slow phosphor, then the allowed decay time can be doubled by not using a 15/16 duty cycle.

VFBLANK Polarity Register

The VFBLANK polarity register sets the active level of the VFBLANK output pin (Table 29).

No-Op Register

A write to the no-op register is ignored.

Display-Test and Device ID Register

Writing the display-test and device ID register switches the drivers between one of two modes: normal and display test. Display-test mode turns all segments and

annunciators on and sets the duty cycle to 7/16 (half-power) (Table 30).

Reading the display-test and device ID register returns the MAX6851 device ID 0b0000 010 that identifies the driver type, plus the display-test status in the LSB.

Output Shift-Limit Register

The output serial interface is used to transfer display data from the MAX6851 to the display driver. The serial interface bit-stream output length is programmable up to 84 bits, which are labeled DD0–DD83. Set the number of bits with the shift-limit register, address 0x0E. If the shift-limit register is written with an out-of-range value 0x54 to 0xFF, then the value 0x53 is stored instead. Table 31 shows the shift-limit register.

Output Map

The output map comprises 84 words of 7-bit RAM. The output map data should be written when the MAX6851 is configured after power-up. Table 32 shows the output map RAM codes.

The output map is an indirect addressing reference table. It translates bit position in the output shift register (valid range: from zero to the value in shift-limit register 0E, which has a maximum of 83) to bit function. Any output shift-register bit position may be set to any grid character segment, DP segment, annunciator segment, or cursor segment.

2-Wire Interfaced, 7-, 14-, and 16-Segment Alpha-numeric Vacuum-Fluorescent Display Controller

Table 32. Output Map RAM Codes

| OUTPUT MAP RAM CONTENT | ADDRESS RANGE | ADDRESSED FUNCTION | | |
|------------------------|---|--------------------|---------------|---------------|
| 0 to 47 | 48 grids | Grid 0 to grid 47 | | |
| 48 | 17 character segments Digits 0 to 47 only, 1st row | 7-segment a | 14-segment a | 16-segment a1 |
| 49 | | 7-segment b | 14-segment b | 16-segment b |
| 50 | | 7-segment c | 14-segment c | 16-segment c |
| 51 | | 7-segment d | 14-segment d | 16-segment d2 |
| 52 | | 7-segment e | 14-segment e | 16-segment e |
| 53 | | 7-segment f | 14-segment f | 16-segment f |
| 54 | | 7-segment g | 14-segment g1 | 16-segment g1 |
| 55 | | No action | 14-segment g2 | 16-segment g2 |
| 56 | | No action | 14-segment h | 16-segment h |
| 57 | | No action | 14-segment l | 16-segment l |
| 58 | | No action | 14-segment j | 16-segment j |
| 59 | | No action | 14-segment k | 16-segment k |
| 60 | | No action | 14-segment l | 16-segment l |
| 61 | | No action | 14-segment m | 16-segment m |
| 62 | | No action | No action | 16-segment a2 |
| 63 | | No action | No action | 16-segment d1 |
| 64 | | 7-segment dp | 14-segment dp | 16-segment dp |
| 65 | 17 character segments Digits 0 to 47 only, 2nd row Only valid for 96/2 mode (display mode select bit M = 1) | 7-segment a | 14-segment a | 16-segment a1 |
| 66 | | 7-segment b | 14-segment b | 16-segment b |
| 67 | | 7-segment c | 14-segment c | 16-segment c |
| 68 | | 7-segment d | 14-segment d | 16-segment d2 |
| 69 | | 7-segment e | 14-segment e | 16-segment e |
| 70 | | 7-segment f | 14-segment f | 16-segment f |
| 71 | | 7-segment g | 14-segment g1 | 16-segment g1 |
| 72 | | No action | 14-segment g2 | 16-segment g2 |
| 73 | | No action | 14-segment h | 16-segment h |
| 74 | | No action | 14-segment l | 16-segment l |
| 75 | | No action | 14-segment j | 16-segment j |
| 76 | | No action | 14-segment k | 16-segment k |
| 77 | | No action | 14-segment l | 16-segment l |
| 78 | | No action | 14-segment m | 16-segment m |
| 79 | | No action | No action | 16-segment a2 |
| 80 | | No action | No action | 16-segment d1 |
| 81 | | 7-segment dp | 14-segment dp | 16-segment dp |

2-Wire Interfaced, 7-, 14-, and 16-Segment Alpha-numeric Vacuum-Fluorescent Display Controller

Table 32. Output Map RAM Codes (continued)

| OUTPUT MAP RAM CONTENT | ADDRESS RANGE | ADDRESSED FUNCTION |
|------------------------|--|--|
| 82 to 85 | 4 annunciators Only valid for 48/1 mode (display mode select bit M = 0) | Annunciator A1 to annunciator A4 |
| 86 | Cursor | Cursor segment for digits 0 to 47 on 1st row |
| 87 | Cursor Only valid for 96/2 mode (display mode select bit M = 1) | Cursor segment for digits 0 to 47 on 2nd row |
| 88 to 127 | Unused | No action |

The power-up default pattern for output map RAM maps a 40-digit, two-digits-per-grid display with DPs and cursors (Table 33).

If the user selects an unused map RAM entry (88–127) for an output shift-register position, then the corresponding output bit is always low (segment or grid OFF).

When selecting an invalid map RAM entry (for example, codes 48 to 83 to select annunciators in 96/2 mode, which does not support annunciators), the corresponding output bit is always low (segment or grid OFF).

If the map RAM entry corresponds to a nonexistent font segment (no action in Table 33) when the digit data is processed through the character font, then the result again is zero (segment or grid OFF).

The output map data is indirectly accessed by an autoincrementing output map address pointer in the MAX6851 at address 0x06. The output map address pointer can be written (i.e., set to an address between 0x00 and 0x53) but cannot be read back. The output map data is written and read back through the output map address pointer.

Table 34 shows how to set the output map address pointer to a value within the acceptable range. Bit D7 is set to denote that the user is writing the output map address pointer. If the user attempts to set the output map address to one of the out-of-range addresses by writing data in range 0xD4 to 0xFF, then address 0x00 is set instead.

After the last data location 0x53 has been written, further output map data entries are ignored until the output map address pointer is reset.

The output map data can be written to the address set by the output map address pointer. Bit D7 is clear to

denote that the user is writing actual output map data. The output map address pointer is autoincremented after the output map data has been written to the current location. If the user writes the output map data in the RAM order, then the output map address pointer need only be set once, or even not at all as the address is set to 0x00 as power-up default (Table 35).

The output map data can be read by reading address 0x86. The 7-bit output map data at the address set by the output map address pointer is read back, with the MSB clear. The output map address pointer is autoincremented after the output map data has been read from the current location, in the same way as for a write (Table 36).

Filament Drive

The VFD filament is typically driven with an AC waveform, supplied by a center-tapped 50Hz or 60Hz power transformer as part of the system power supply. However, if the system has only DC supplies available, the filament must be powered by a DC-to-AC or DC-to-DC converter.

The MAX6851 can generate the waveforms on the PHASE1 and PHASE2 outputs to drive the VFD filament using a full bridge (push-pull drive). The PHASE1 and PHASE2 outputs can be used as general-purpose outputs if the filament drive is not required. The bridge drive transistors are external, but the waveforms are generated by the MAX6851.

The waveform generation uses PWM to set the effective RMS voltage across the filament, as a fraction of the external supply voltage (Figure 19) (Table 37). The filament switching frequency is synchronized to the multiplex scan clock, eliminating beating artifacts due to differing filament and multiplex frequencies.

2-Wire Interfaced, 7-, 14-, and 16-Segment Alpha-numeric Vacuum-Fluorescent Display Controller

The PWM duty cycle is controlled by the filament duty-cycle register (Table 38). The effective RMS voltage across the filament is given by the expression:

$$V_{RMS} = FilOn \times (V_{FIL} - V_{LO-BRIDGE} - V_{HI-BRIDGE}) / 200$$

or, rearranged:

$$Duty = 200 \times V_{RMS} / (V_{FIL} - V_{LO-BRIDGE} - V_{HI-BRIDGE})$$

where:

FilOn is the number to store in the filament duty-cycle register, address 0x09.

V_{FIL} is the supply voltage to the filament driver bridge (V).

V_{RMS} is the specified nominal filament supply voltage (V).

$V_{LO-BRIDGE}$ is the voltage drop across a low-side bridge driver (V).

$V_{HI-BRIDGE}$ is the voltage drop across a high-side bridge driver (V).

The minimum commutation time, shown at (C) in Figure 19, is set by $(2/OSC)s$ (500ns when $OSC = 4MHz$) to ensure that shoot-through currents cannot flow during phase reversal. Otherwise, the duty cycle of the bridge (total on-time: total time) sets the RMS voltage across the filament. This technique provides a low-cost AC filament supply when using a regulated supply higher than the RMS voltage rating of the filament.

Figure 20 shows the external components required for the filament driver using a FET bridge.

PHASE1 and PHASE2 Outputs

PHASE1 and PHASE2 can be individually programmed as one of four output types (Tables 39, 40).

When using the filament drive, first ensure that the filament duty-cycle register 0x09 is set to the correct value before configuring the PHASE1 and PHASE2 outputs to be filament drives. To stop the filament drive, program either PHASE1 or PHASE2 (or both) to be logic-low general-purpose outputs. Both PHASE1 and PHASE2 outputs come out of power-on-reset in logic-low condition.

PUMP Output

The PUMP output can be programmed as one of four output types (Table 41).

PORT0 and PORT1 Outputs

PORT0 and PORT1 can be individually programmed as one of eight output types (Tables 42, 43). The PORT1 choices are similar to the PORT0 choices, except that the last four items are invert logic. PORT0 output comes out of power-on-reset in logic-low condition, whereas PORT1 output initializes high.

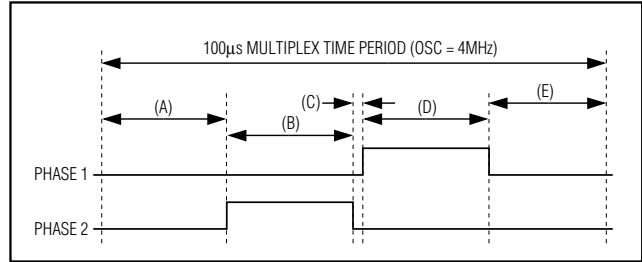


Figure 19. Filament Bridge Driver Timing Waveforms

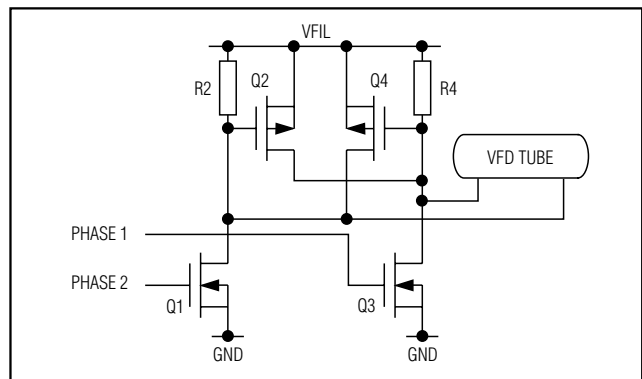


Figure 20. Filament Bridge Driver (MOSFET)

The PORT0 and PORT1 shutdown outputs allow external hardware (for example, a DC-to-DC converter power supply for VFD) to be disabled by the MAX6851 when the MAX6851 is shut down.

The 625Hz, 1250Hz, and 2500Hz outputs can drive a piezo sounder either from PORT0 or PORT1 alone, or by both ports together as bridge drive. For bridge drive, the sounder is connected between PORT0 and PORT1, taking advantage of the PORT1 output being inverted with respect to PORT0. Select different frequencies for PORT0 and PORT1 to obtain a wider range of sounds when bridge drive is used.

Multiplex Clock and Blink Timing

The OSC1 and OSC2 inputs set the multiplex and blink timing for the display driver. Connect an external resistor from OSC2 to GND and an external capacitor C_{OSC} from OSC1 to GND to set the frequency of the internal RC oscillator. Alternatively, overdrive OSC1 with an external TTL or CMOS clock. If an exact blink rate or multiplex period is required, use an external clock ranging between 2MHz and 8MHz to drive OSC1.

2-Wire Interfaced, 7-, 14-, and 16-Segment Alpha-numeric Vacuum-Fluorescent Display Controller

MAX6851

The multiplex clock frequency determines the multiplex scan rate and the blink timing. The display scan rate is $\{OSC / 400 / (1 + \text{grids register value})\}$. There are 400 OSC cycles per digit multiplex period. For example, with OSC = 4MHz, each display digit is enabled for 100 μ s. For a 40-grid display tube (grids register value = 39 or 0x27), the display scan rate is 250Hz.

The BLINK output is the selectable blink period clock. It is nominally 0.5Hz or 1Hz (OSC = 4MHz). It is low during the first half of the blink period, and high during the second half. The PORT0 and PORT1 general-purpose outputs may be programmed to be BLINK output. Synchronize the BLINK timing if desired by setting the T bit in the configuration register (Table 20).

The RC oscillator uses an external resistor R_{OSC} and an external capacitor C_{OSC} to set the oscillator frequency. R_{OSC} connects from OSC2 to ground. C_{OSC} connects from OSC1 to ground. The recommended values of R_{OSC} and C_{OSC} set the oscillator to 4MHz, which makes the BLINK frequencies 0.5Hz and 1 Hz:

$$f_{OSC} = K_F / (R_{OSC} \times [C_{OSC} + C_{STRAY}]) \text{ MHz}$$

where:

$$K_F = 2320$$

R_{OSC} = external resistor in k Ω (allowable range 8k Ω to 80k Ω)

C_{OSC} = external capacitor in pF

C_{STRAY} = stray capacitance from OSC1 to GND in pF, typically 2pF

For OSC = 4MHz, R_{OSC} is 10k Ω and C_{OSC} is 56pF

The effective value of C_{OSC} includes not only the actual external capacitor used, but also the stray capacitance from OSC1 to GND. This capacitance is usually in the 1pF to 5pF range, depending on the layout used.

The allowed range of f_{OSC} is 2MHz to 8MHz. If f_{OSC} is set too high, the internal oscillator can stop working. An internal fail-safe circuit monitors the multiplex clock and detects a slow or nonworking multiplex clock. When a slow or nonworking multiplex clock is detected, an internal fail-safe oscillator generates a replacement clock of about 200kHz. This backup clock ensures that the VFD is not damaged by the multiplex operation halting inadvertently. The scan rate for 16 grids is about 30Hz in fail-safe mode, and the display flickers. A flickering display is a good indication that there is a problem with the multiplex clock.

Power Supplies

The MAX6851 operates from a single 2.7V to 3.6V power supply. Bypass the power supply to GND with a 0.1 μ F capacitor as close to the device as possible. Add a bulk capacitor (such as a low-cost electrolytic 1 μ F to 22 μ F) if the MAX6851 is driving high current from any of the general-purpose output ports.

2-Wire Interfaced, 7-, 14-, and 16-Segment Alpha-numeric Vacuum-Fluorescent Display Controller

Table 33. Output Map RAM Initial Power-Up Status

| OUTPUT MAP RAM ADDRESS | POWER-UP DEFAULT CONTENT | ADDRESSED FUNCTION | | |
|------------------------|-------------------------------------|---|---------------|---------------|
| 0 to 39 | 0 to 39 (in order) | Grid 0 to grid 39 | | |
| 40 | 48 | 7-segment a | 14-segment a | 16-segment a1 |
| 41 | 49 | 7-segment b | 14-segment b | 16-segment b |
| 42 | 50 | 7-segment c | 14-segment c | 16-segment c |
| 43 | 51 | 7-segment d | 14-segment d | 16-segment d2 |
| 44 | 52 | 7-segment e | 14-segment e | 16-segment e |
| 45 | 53 | 7-segment f | 14-segment f | 16-segment f |
| 46 | 54 | 7-segment g | 14-segment g1 | 16-segment g1 |
| 47 | 55 | No action | 14-segment g2 | 16-segment g2 |
| 48 | 56 | No action | 14-segment h | 16-segment h |
| 49 | 57 | No action | 14-segment i | 16-segment i |
| 50 | 58 | No action | 14-segment j | 16-segment j |
| 51 | 59 | No action | 14-segment k | 16-segment k |
| 52 | 60 | No action | 14-segment l | 16-segment l |
| 53 | 61 | No action | 14-segment m | 16-segment m |
| 54 | 62 | No action | No action | 16-segment a2 |
| 55 | 63 | No action | No action | 16-segment d1 |
| 56 | 64 | 7-segment dp | 14-segment dp | 16-segment dp |
| 57 | 65 | 7-segment a | 14-segment a | 16-segment a1 |
| 58 | 66 | 7-segment b | 14-segment b | 16-segment b |
| 59 | 67 | 7-segment c | 14-segment c | 16-segment c |
| 60 | 68 | 7-segment d | 14-segment d | 16-segment d2 |
| 61 | 69 | 7-segment e | 14-segment e | 16-segment e |
| 62 | 70 | 7-segment f | 14-segment f | 16-segment f |
| 63 | 71 | 7-segment g | 14-segment g1 | 16-segment g1 |
| 64 | 72 | No action | 14-segment g2 | 16-segment g2 |
| 65 | 73 | No action | 14-segment h | 16-segment h |
| 66 | 74 | No action | 14-segment i | 16-segment i |
| 67 | 75 | No action | 14-segment j | 16-segment j |
| 68 | 76 | No action | 14-segment k | 16-segment k |
| 69 | 77 | No action | 14-segment l | 16-segment l |
| 70 | 78 | No action | 14-segment m | 16-segment m |
| 71 | 79 | No action | No action | 16-segment a2 |
| 72 | 80 | No action | No action | 16-segment d1 |
| 73 | 81 | 7-segment dp | 14-segment dp | 16-segment dp |
| 74 | 86 (Note: Value is not 82.) | Cursor segment for digits 0 to 47, 1st row | | |
| 75 | 87 (Note: Value is not 83.) | Cursor segment for digits 0 to 47 only, 2nd row | | |
| 76 to 83 | 127 | No action | | |

2-Wire Interfaced, 7-, 14-, and 16-Segment Alpha-numeric Vacuum-Fluorescent Display Controller

MAX6851

Table 34. Setting Output Map Address Pointer

| MODE | COMMAND ADDRESS | REGISTER DATA | | | | | | | |
|---|-----------------|---------------|----|----|----|----|----|----|----|
| | | D7 | D6 | D5 | D4 | D3 | D2 | D1 | D0 |
| Set output map address to minimum (0x00) with data 0x80. (Note that this address is set as a power-up default.) | 0x06 | 1 | 0 | 0 | 0 | 0 | 0 | 0 | 0 |
| Set output map address to maximum 0x53 with data 0xD3. | 0x06 | 1 | 1 | 1 | 1 | 1 | 0 | 0 | 1 |

Table 35. Writing Output Map Data

| MODE | COMMAND ADDRESS | REGISTER DATA | | | | | | | |
|--|-----------------|---------------|---------------------------|----|----|----|----|----|----|
| | | D7 | D6 | D5 | D4 | D3 | D2 | D1 | D0 |
| Write output map data; output map address pointer is autoincremented after the output map data has been written to the current location. | 0x06 | 0 | 7 bits of output map data | | | | | | |

Table 36. Reading Output Map Data

| MODE | COMMAND ADDRESS | REGISTER DATA | | | | | | | |
|--|-----------------|---------------|---------------------------|----|----|----|----|----|----|
| | | D7 | D6 | D5 | D4 | D3 | D2 | D1 | D0 |
| Read output map data; output map address pointer is autoincremented after the output map data has been read from the current location. | 0x06 | 0 | 7 bits of output map data | | | | | | |

Table 37. Filament Bridge Driver Timing

| TIMING POINT | PHASE1 BEHAVIOR | PHASE2 BEHAVIOR | EXAMPLE 1 DUTY = 1 (MIN) | EXAMPLE 2 DUTY = 100 | EXAMPLE 3 DUTY = 198 |
|---------------------------------------|------------------------------|------------------------------|-----------------------------|---------------------------|---------------------------|
| (A) | Low for (199 - FilOn) cycles | Low for (199 - FilOn) cycles | 198 | 99 | 1 |
| (B) | Low for (FilOn) cycles | High for (FilOn) cycles | 1 | 100 | 198 |
| (C) | Low for (2) cycles | Low for (2) cycles | 2 | 2 | 2 |
| (D) | High for (FilOn) cycles | Low for (FilOn) cycles | 1 | 100 | 198 |
| (E) | Low for (199 - FilOn) cycles | Low for (199 - FilOn) cycles | 198 | 99 | 1 |
| Total 4MHz cycles (OSC = 4MHz) | 400 cycles = 100µs | 400 cycles = 100µs | 400 cycles = 100µs | 400 cycles = 100µs | 400 cycles = 100µs |

Table 38. Filament Duty-Cycle Register Format

| FILAMENT DUTY CYCLE | COMMAND ADDRESS | REGISTER DATA | | | | | | | | HEX CODE |
|---------------------------------------|-----------------|---------------|----|----|----|----|----|----|----|----------|
| | | D7 | D6 | D5 | D4 | D3 | D2 | D1 | D0 | |
| Minimum setting example (01) | 0x09 | 0 | 0 | 0 | 0 | 0 | 0 | 0 | 1 | 0x01 |
| Maximum setting example (199 or 0xC7) | 0x09 | 1 | 1 | 0 | 0 | 0 | 1 | 1 | 1 | 0xC7 |

2-Wire Interfaced, 7-, 14-, and 16-Segment Alpha-numeric Vacuum-Fluorescent Display Controller

Table 39. PHASE1 Register Format

| PHASE1 BEHAVIOR | COMMAND ADDRESS | REGISTER DATA | | | | | | | | HEX CODE |
|--|-----------------|---------------|----|----|----|----|----|----|----|----------|
| | | D7 | D6 | D5 | D4 | D3 | D2 | D1 | D0 | |
| General-purpose output, logic 0. This is the power-up condition. | 0x0A | X | X | X | X | X | X | 0 | 0 | 0xX0 |
| General-purpose output, logic 1. | 0x0A | X | X | X | X | X | X | 0 | 1 | 0xX1 |
| Output gives blink status: zero if blink phase P0; 1 if blink phase P1. | 0x0A | X | X | X | X | X | X | 1 | 0 | 0xX2 |
| Filament drive PHASE1 (logic 0 during shutdown). | 0x0A | X | X | X | X | X | X | 1 | 1 | 0xX3 |

Table 40. PHASE2 Register Format

| PHASE2 BEHAVIOR | COMMAND ADDRESS | REGISTER DATA | | | | | | | | HEX CODE |
|--|-----------------|---------------|----|----|----|----|----|----|----|----------|
| | | D7 | D6 | D5 | D4 | D3 | D2 | D1 | D0 | |
| General-purpose output, logic 0. This is the power-up condition. | 0x0B | X | X | X | X | X | X | 0 | 0 | 0xX0 |
| General-purpose output, logic 1. | 0x0B | X | X | X | X | X | X | 0 | 1 | 0xX1 |
| Output gives blink status: zero if blink phase P0; 1 if blink phase P1. | 0x0B | X | X | X | X | X | X | 1 | 0 | 0xX2 |
| Filament drive PHASE2 (logic 0 during shutdown). | 0x0B | X | X | X | X | X | X | 1 | 1 | 0xX3 |

Table 41. PUMP Register Format

| PUMP PORT BEHAVIOR | COMMAND ADDRESS | REGISTER DATA | | | | | | | | HEX CODE |
|--|-----------------|---------------|----|----|----|----|----|----|----|----------|
| | | D7 | D6 | D5 | D4 | D3 | D2 | D1 | D0 | |
| General-purpose output, logic 0. This is the power-up condition. | 0x08 | X | X | X | X | X | X | 0 | 0 | 0xX0 |
| General-purpose output, logic 1. | 0x08 | X | X | X | X | X | X | 0 | 1 | 0xX1 |
| 80kHz square-wave output (OSC = 4MHz) (logic 0 during shutdown). | 0x08 | X | X | X | X | X | X | 1 | 0 | 0xX2 |
| 80kHz square-wave output (OSC = 4MHz) (logic 1 during shutdown). | 0x08 | X | X | X | X | X | X | 1 | 1 | 0xX3 |

2-Wire Interfaced, 7-, 14-, and 16-Segment Alpha-numeric Vacuum-Fluorescent Display Controller

MAX6851

Table 42. PORT0 Register Format

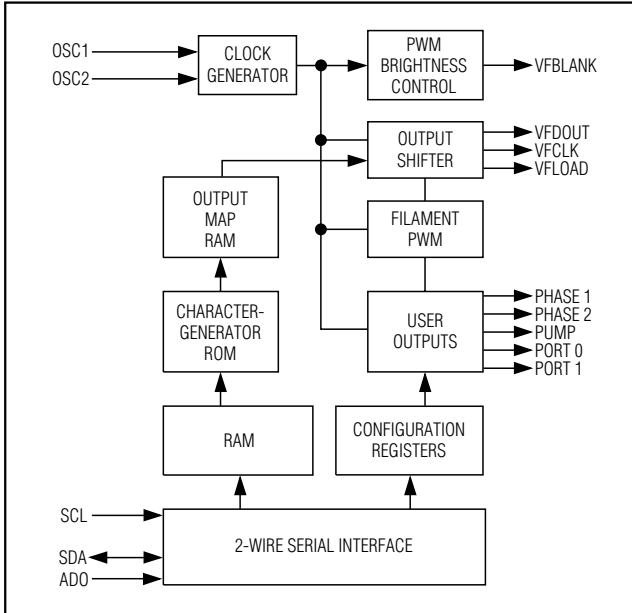
| PORT0 PORT BEHAVIOR | COMMAND ADDRESS | REGISTER DATA | | | | | | | | HEX CODE |
|--|-----------------|---------------|----|----|----|----|----|----|----|----------|
| | | D7 | D6 | D5 | D4 | D3 | D2 | D1 | D0 | |
| General-purpose output, logic 0. This is the power-up condition. | 0x0C | X | X | X | X | X | 0 | 0 | 0 | 0xX0 |
| General-purpose output, logic 1. | 0x0C | X | X | X | X | X | 0 | 0 | 1 | 0xX1 |
| Output gives blink status: zero if blink phase P0; 1 if blink phase P1. | 0x0C | X | X | X | X | X | 0 | 1 | 0 | 0xX2 |
| Output gives blink status: zero if blink phase P0; 1 for P0, zero for P1. | 0x0C | X | X | X | X | X | 0 | 1 | 1 | 0xX3 |
| 625Hz square-wave output zero in shutdown. | 0x0C | X | X | X | X | X | 1 | 0 | 0 | 0xX4 |
| 1250Hz square-wave output zero in shutdown. | 0x0C | X | X | X | X | X | 1 | 0 | 1 | 0xX5 |
| 2500Hz square-wave output zero in shutdown. | 0x0C | X | X | X | X | X | 1 | 1 | 0 | 0xX6 |
| Output gives shutdown status: zero if shutdown mode; 1 if operating mode. | 0x0C | X | X | X | X | X | 1 | 1 | 1 | 0xX7 |

Table 43. PORT1 Register Format

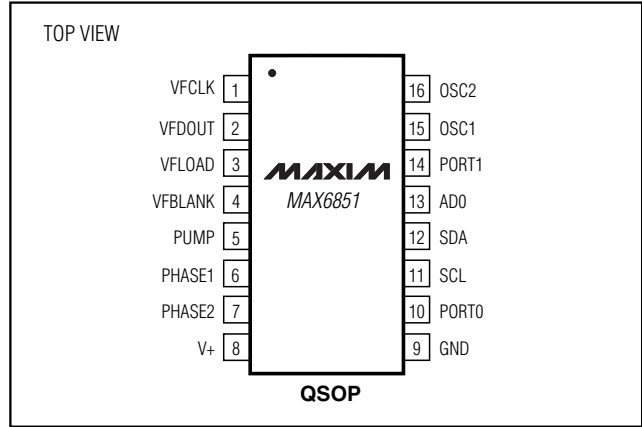
| PORT1 PORT BEHAVIOR | COMMAND ADDRESS | REGISTER DATA | | | | | | | | HEX CODE |
|--|-----------------|---------------|----|----|----|----|----|----|----|----------|
| | | D7 | D6 | D5 | D4 | D3 | D2 | D1 | D0 | |
| General-purpose output, logic 0. | 0x0D | X | X | X | X | X | 0 | 0 | 0 | 0xX0 |
| General-purpose output, logic 1. This is the power-up condition. | 0x0D | X | X | X | X | X | 0 | 0 | 1 | 0xX1 |
| Output gives blink status: zero if blink phase P0; 1 if blink phase P1. | 0x0D | X | X | X | X | X | 0 | 1 | 0 | 0xX2 |
| Output gives blink status: zero if blink phase P0; 1 for P0, zero for P1. | 0x0D | X | X | X | X | X | 0 | 1 | 1 | 0xX3 |
| Inverted 625Hz square-wave output 1 in shutdown. | 0x0D | X | X | X | X | X | 1 | 0 | 0 | 0xX4 |
| Inverted 1250Hz square-wave output 1 in shutdown. | 0x0D | X | X | X | X | X | 1 | 0 | 1 | 0xX5 |
| Inverted 2500Hz square-wave output 1 in shutdown. | 0x0D | X | X | X | X | X | 1 | 1 | 0 | 0xX6 |
| Output gives inverted shutdown status: 1 if shutdown mode; zero if operating mode. | 0x0D | X | X | X | X | X | 1 | 1 | 1 | 0xX7 |

2-Wire Interfaced, 7-, 14-, and 16-Segment Alpha-numeric Vacuum-Fluorescent Display Controller

Functional Diagram



Pin Configuration



Chip Information

TRANSISTOR COUNT: 132,715
 PROCESS: CMOS

2-Wire Interfaced, 7-, 14-, and 16-Segment Alpha-numeric Vacuum-Fluorescent Display Controller

Package Information

(The package drawing(s) in this data sheet may not reflect the most current specifications. For the latest package outline information, go to www.maxim-ic.com/packages.)

MAX6851

| DIM | INCHES | | MILLIMETERS | |
|-----|----------------|-------|-------------|-------|
| | MIN | MAX | MIN | MAX |
| A | .061 | .068 | 1.55 | 1.73 |
| A1 | .004 | .0098 | 0.102 | 0.249 |
| A2 | .055 | .061 | 1.40 | 1.55 |
| B | .008 | .012 | 0.20 | 0.31 |
| C | .0075 | .0098 | 0.191 | 0.249 |
| D | SEE VARIATIONS | | | |
| E | .150 | .157 | 3.81 | 3.99 |
| e | .025 BSC | | 0.635 BSC | |
| H | .230 | .244 | 5.84 | 6.20 |
| h | .010 | .016 | 0.25 | 0.41 |
| L | .016 | .035 | 0.41 | 0.89 |
| N | SEE VARIATIONS | | | |
| α | 0° | 8° | 0° | 8° |

| DIM | INCHES | | MILLIMETERS | | N |
|-----|--------|-------|-------------|-------|-------|
| | MIN. | MAX. | MIN. | MAX. | |
| D | .189 | .196 | 4.80 | 4.98 | 16 AA |
| S | .0020 | .0070 | 0.05 | 0.18 | |
| D | .337 | .344 | 8.56 | 8.74 | 20 AB |
| S | .0500 | .0550 | 1.270 | 1.397 | |
| D | .337 | .344 | 8.56 | 8.74 | 24 AC |
| S | .0250 | .0300 | 0.635 | 0.762 | |
| D | .386 | .393 | 9.80 | 9.98 | 28 AD |
| S | .0250 | .0300 | 0.635 | 0.762 | |

NOTES:

- 1). D & E DO NOT INCLUDE MOLD FLASH OR PROTRUSIONS.
- 2). MOLD FLASH OR PROTRUSIONS NOT TO EXCEED .006" PER SIDE.
- 3). CONTROLLING DIMENSIONS: INCHES.
- 4). MEETS JEDEC MO137.

MAXIM

PROPRIETARY INFORMATION

TITLE:

PACKAGE OUTLINE, QSOPT, .150", .025" LEAD PITCH

| | | | |
|----------|----------------------|-----|-----|
| APPROVAL | DOCUMENT CONTROL NO. | REV | 1/1 |
| | 21-0055 | D | |

Maxim cannot assume responsibility for use of any circuitry other than circuitry entirely embodied in a Maxim product. No circuit patent licenses are implied. Maxim reserves the right to change the circuitry and specifications without notice at any time.

Maxim Integrated Products, 120 San Gabriel Drive, Sunnyvale, CA 94086 408-737-7600 _____ **37**