

4N29, 4N30, 4N31, 4N32, 4N33 General Purpose 6-Pin Photodarlington Optocoupler

Features

- High sensitivity to low input drive current
- Meets or exceeds all JEDEC Registered Specifications
- VDE 0884 approval available as a test option
– add option .300. (e.g., 4N29.300)

Applications

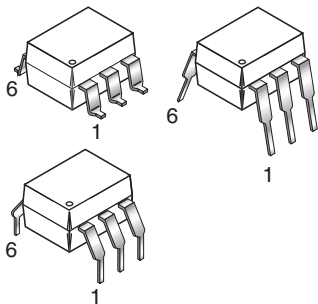
- Low power logic circuits
- Telecommunications equipment
- Portable electronics
- Solid state relays
- Interfacing coupling systems of different potentials and impedances

Description

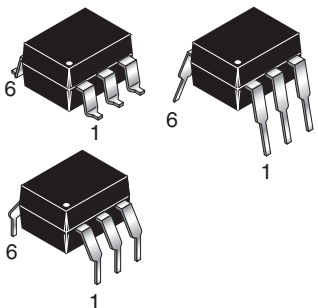
The 4N29, 4N30, 4N31, 4N32, 4N33 have a gallium arsenide infrared emitter optically coupled to a silicon planar photodarlington.

Packages

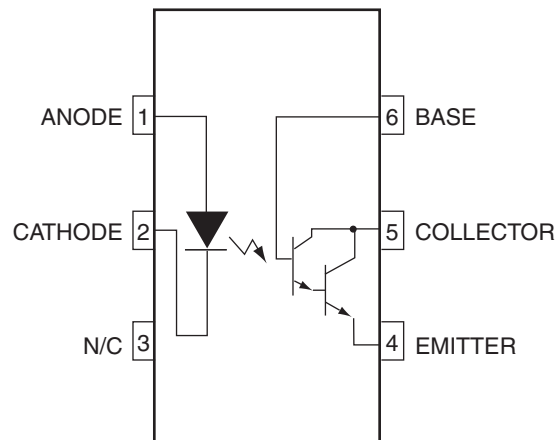
White Package (-M Suffix)



Black Package (No -M Suffix)



Schematic



Absolute Maximum Ratings ($T_A = 25^\circ\text{C}$ Unless otherwise specified.)

Symbol	Parameter	Device	Value	Units
TOTAL DEVICE				
T_{STG}	Storage Temperature	Non M	-55 to +150	$^\circ\text{C}$
		M	-40 to +150	
T_{OPR}	Operating Temperature	Non M	-55 to +100	$^\circ\text{C}$
		M	-40 to +100	
T_{SOL}	Lead Solder Temperature	All	260 for 10 sec	$^\circ\text{C}$
P_D	Total Device Power Dissipation @ $T_A = 25^\circ\text{C}$ Derate above 25°C	All	250	mW
			3.3	mW/ $^\circ\text{C}$
EMITTER				
I_F	Continuous Forward Current	All	80	mA
V_R	Reverse Voltage	All	3	V
$I_F(\text{pk})$	Forward Current – Peak (300 μs , 2% Duty Cycle)	All	3.0	A
P_D	LED Power Dissipation @ $T_A = 25^\circ\text{C}$ Derate above 25°C	All	150	mW
			2.0	mW/ $^\circ\text{C}$
DETECTOR				
BV_{CEO}	Collector-Emitter Breakdown Voltage	All	30	V
BV_{CBO}	Collector-Base Breakdown Voltage	All	30	V
BV_{ECO}	Emitter-Collector Breakdown Voltage	All	5	V
P_D	Detector Power Dissipation @ $T_A = 25^\circ\text{C}$ Derate above 25°C	All	150	mW
			2.0	mW/ $^\circ\text{C}$
I_C	Continuous Collector Current	All	150	mA

Electrical Characteristics ($T_A = 25^\circ\text{C}$ Unless otherwise specified.)**Individual Component Characteristics**

Symbol	Parameter	Test Conditions	Min.	Typ.	Max.	Unit
EMITTER						
V_F	Input Forward Voltage*	$I_F = 10\text{mA}$	–	1.2	1.5	V
I_R	Reverse Leakage Current*	$V_R = 3.0\text{V}$	–	0.001	100	μA
C	Capacitance*	$V_F = 0\text{V}$, $f = 1.0\text{MHz}$	–	150	–	pF
DETECTOR						
BV_{CEO}	Collector-Emitter Breakdown Voltage*	$I_C = 1.0\text{mA}$, $I_B = 0$	30	60	–	V
BV_{CBO}	Collector-Base Breakdown Voltage*	$I_C = 100\mu\text{A}$, $I_E = 0$	30	100	–	V
BV_{ECO}	Emitter-Collector Breakdown Voltage*	$I_E = 100\mu\text{A}$, $I_B = 0$	5.0	8	–	V
I_{CEO}	Collector-Emitter Dark Current*	$V_{CE} = 10\text{V}$, Base Open	–	1	100	nA
h_{FE}	DC Current Gain	$V_{CE} = 5.0\text{V}$, $I_C = 500\mu\text{A}$	–	5000	–	

Transfer Characteristics

Symbol	Parameter	Test Conditions	Min.	Typ.	Max.	Unit
DC CHARACTERISTICS						
$I_{C(CTR)}$	Collector Output Current ^{*(1, 2)} 4N32, 4N33 4N29, 4N30 4N31	$I_F = 10\text{mA}$, $V_{CE} = 10\text{V}$, $I_B = 0$	50 (500)	–	–	mA (%)
			10 (100)	–	–	
			5 (50)	–	–	
$V_{CE(SAT)}$	Saturation Voltage ^{*(2)} 4N29, 4N30, 4N32, 4N33 4N31	$I_F = 8\text{mA}$, $I_C = 2.0\text{mA}$	–	–	1.0	V
			–	–	1.2	
AC CHARACTERISTICS						
t_{on}	Turn-on Time	$I_F = 200\text{mA}$, $I_C = 50\text{mA}$, $V_{CC} = 10\text{V}$	–	–	5.0	μS
t_{off}	Turn-off Time 4N32, 4N33 4N29, 4N30, 4N31	$I_F = 200\text{mA}$, $I_C = 50\text{mA}$, $V_{CC} = 10\text{V}$	–	–	100	μS
			–	–	40	
BW	Bandwidth ^(3, 4)		–	30	–	kHz

Isolation Characteristics

Symbol	Characteristic	Test Conditions	Min.	Typ.	Max.	Units
V_{ISO}	Input-Output Isolation Voltage ⁽⁵⁾ 4N29, 4N30, 4N31, 4N32, 4N33	$I_{I-O} \leq 1\mu\text{A}$, V_{rms} , $t = 1\text{min.}$	5300	–	–	Vac(rms)
	4N32*	VDC	2500	–	–	V
	4N33*	VDC	1500	–	–	
R_{ISO}	Isolation Resistance ⁽⁵⁾	$V_{I-O} = 500\text{VDC}$	–	10^{11}	–	Ω
C_{ISO}	Isolation Capacitance ⁽⁵⁾	$V_{I-O} = \emptyset$, $f = 1\text{MHz}$	–	0.8	–	pF

Notes:

* Indicates JEDEC registered data.

- The current transfer ratio (I_C/I_F) is the ratio of the detector collector current to the LED input current with $V_{CE} @ 10\text{V}$.
- Pulse test: pulse width = $300\mu\text{s}$, duty cycle $\leq 2.0\%$.
- I_F adjusted to $I_C = 2.0\text{mA}$ and $I_C = 0.7\text{mA rms}$.
- The frequency at which I_C is 3dB down from the 1kHz value.
- For this test, LED pins 1 and 2 are common, and phototransistor pins 4, 5 and 6 are common.

Typical Performance Curves

Fig. 1 LED Forward Voltage vs. Forward Current (Black Package)

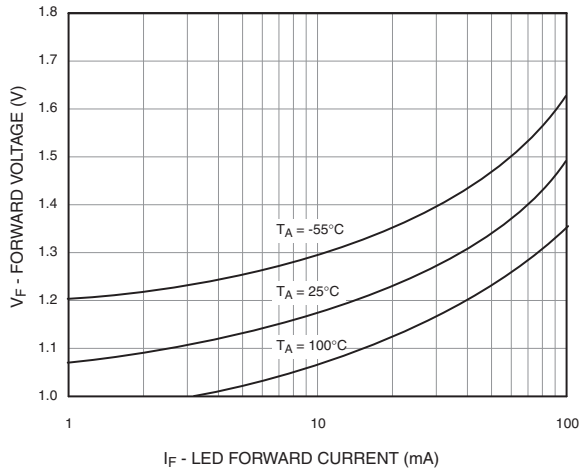


Fig. 2 LED Forward Voltage vs. Forward Current (White Package)

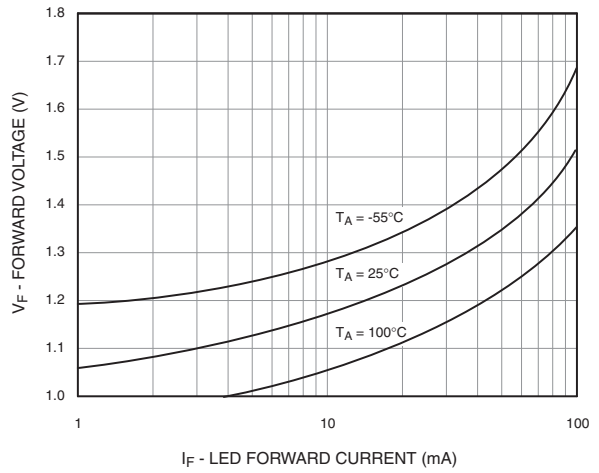


Fig.3 Normalized CTR vs. Forward Current (Black Package)

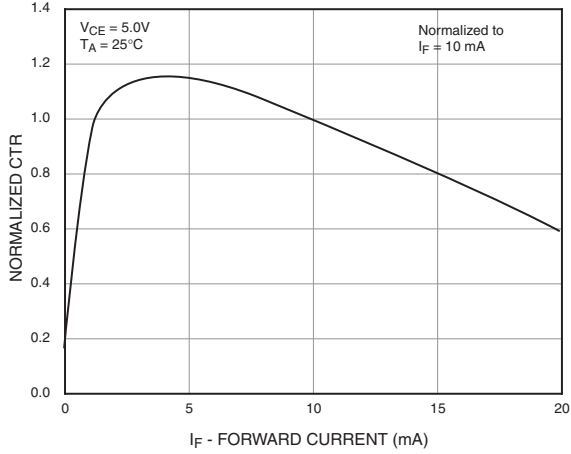


Fig.4 Normalized CTR vs. Forward Current (White Package)

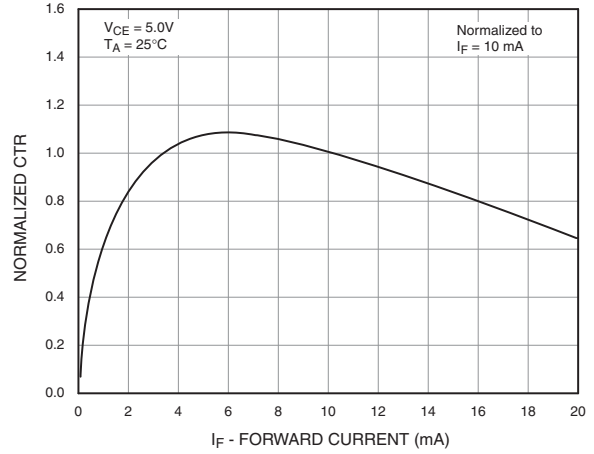


Fig. 5 Normalized CTR vs. Ambient Temperature (Black Package)

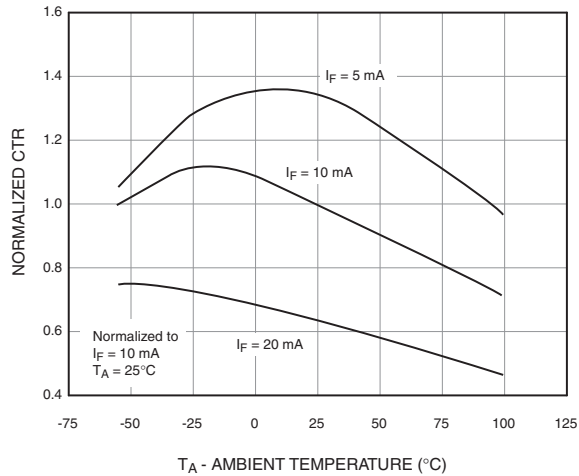
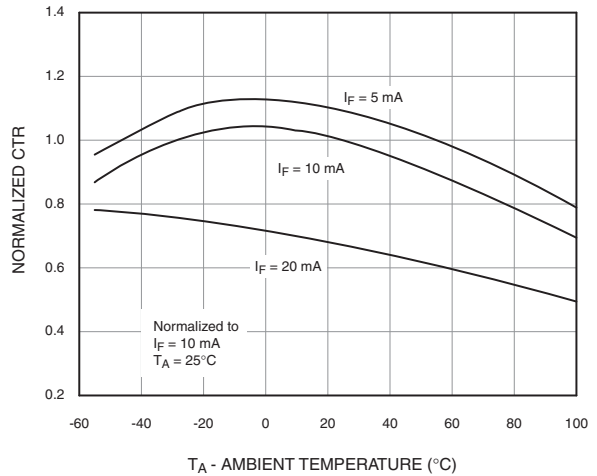


Fig. 6 Normalized CTR vs. Ambient Temperature (White Package)



Typical Performance Curves (Continued)

Fig. 7 CTR vs. RBE (Unsaturated) (Black Package)

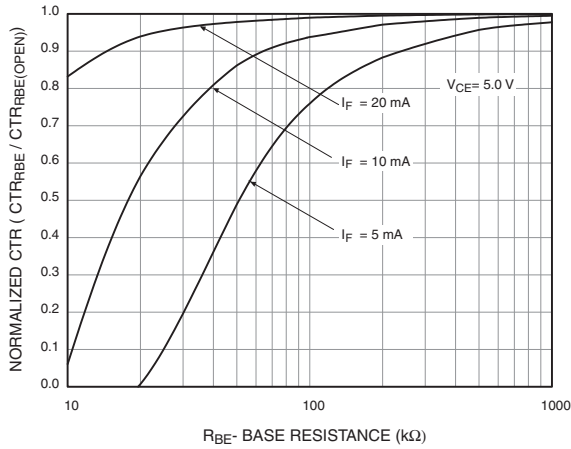


Fig. 8 CTR vs. RBE (Unsaturated) (White Package)

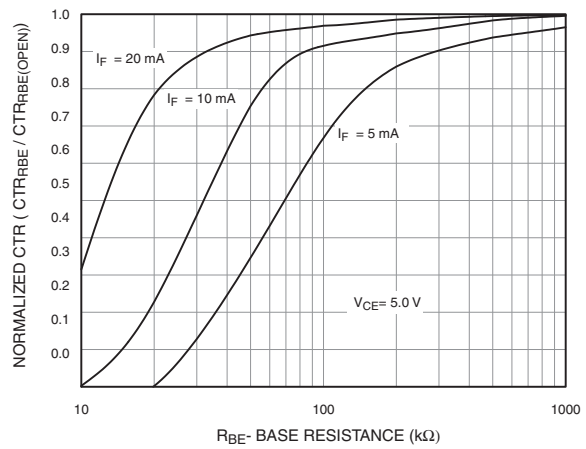


Fig. 9 CTR vs. RBE (Saturated) (Black Package)

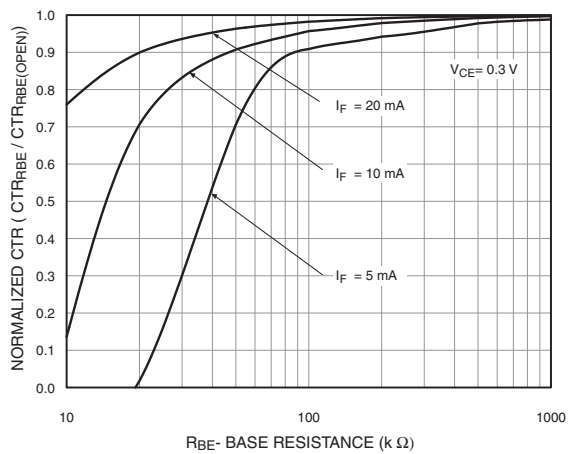


Fig. 10 CTR vs. RBE (Saturated) (White Package)

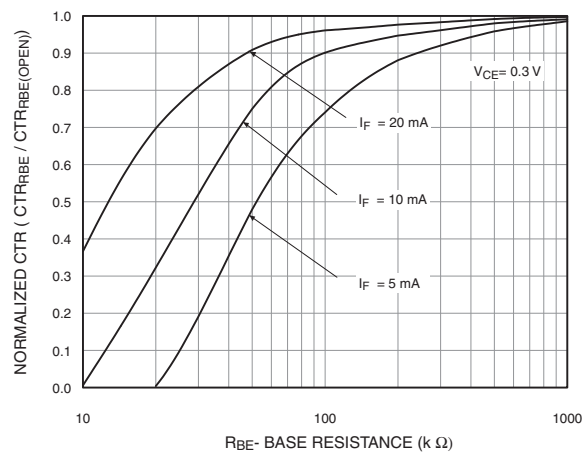


Fig. 11 Collector-Emitter Saturation Voltage vs. Collector Current (Black Package)

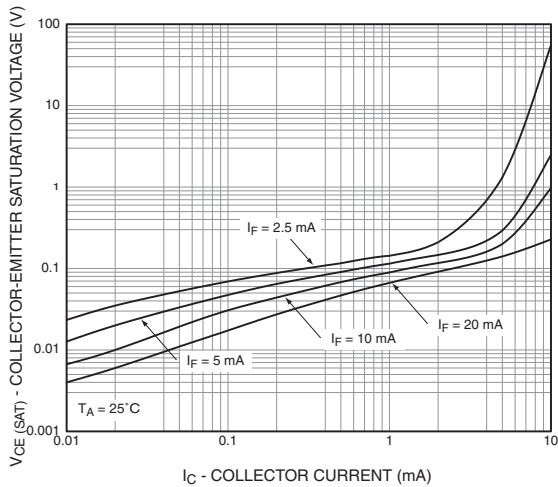
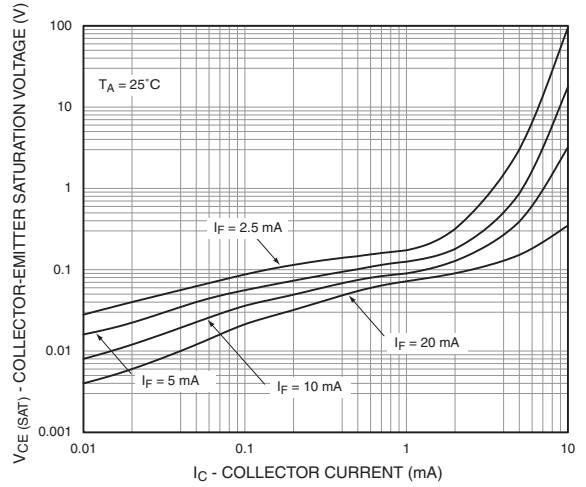


Fig. 12 Collector-Emitter Saturation Voltage vs. Collector Current (White Package)



Typical Performance Curves (Continued)

Fig. 13 Switching Speed vs. Load Resistor (Black Package)

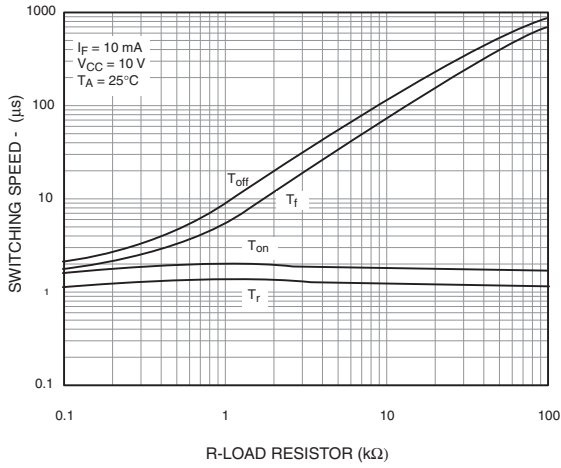


Fig. 14 Switching Speed vs. Load Resistor (White Package)

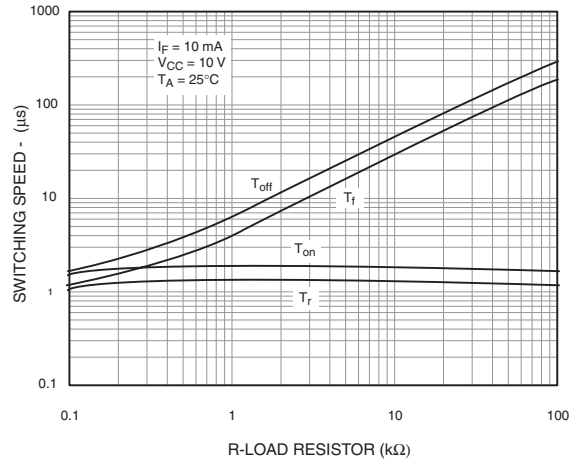


Fig. 15 Normalized t_{on} vs. R_{BE} (Black Package)

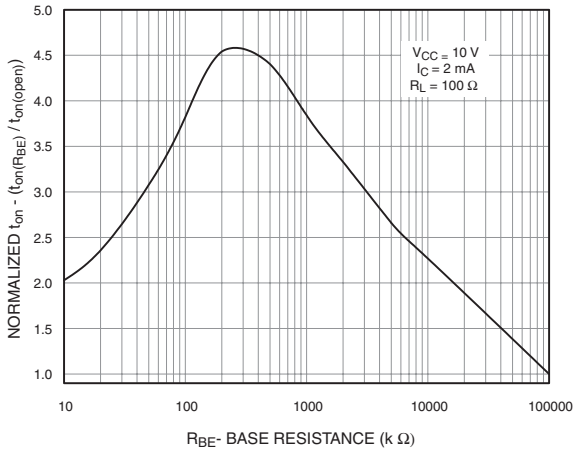


Fig. 16 Normalized t_{on} vs. R_{BE} (White Package)

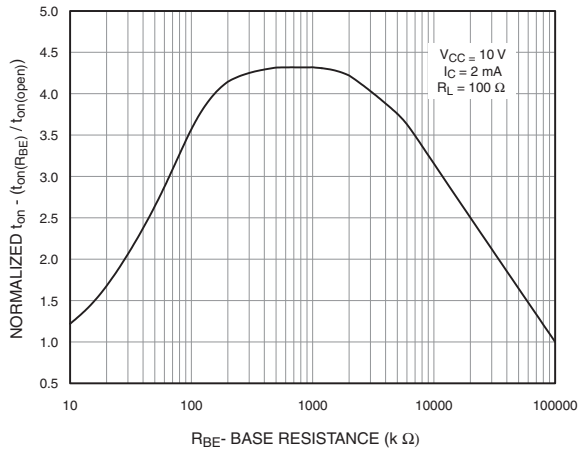


Fig. 17 Normalized t_{off} vs. R_{BE} (Black Package)

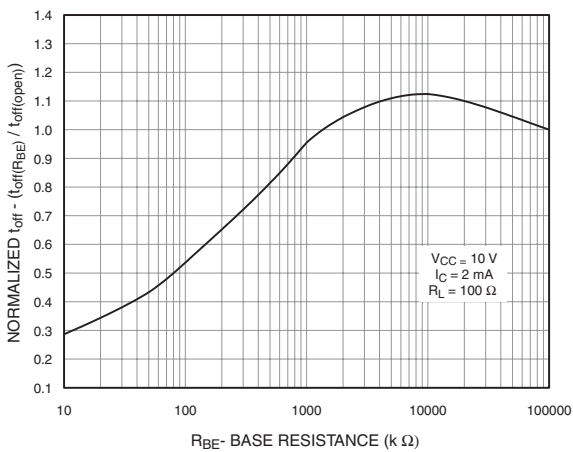
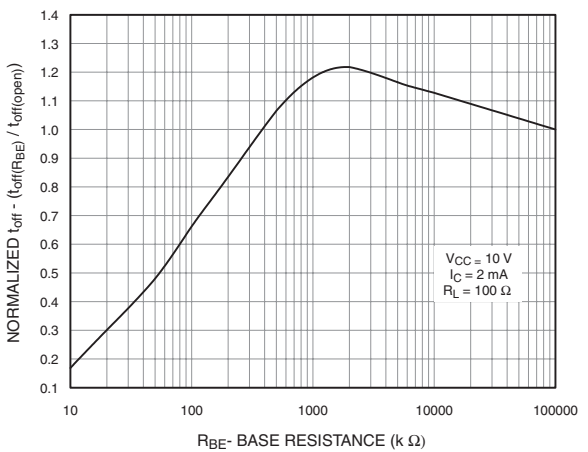


Fig. 18 Normalized t_{off} vs. R_{BE} (White Package)



Typical Performance Curves (Continued)

Fig. 19 Dark Current vs. Ambient Temperature

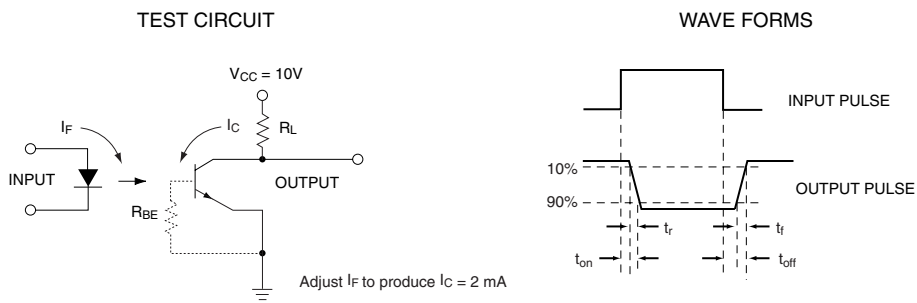
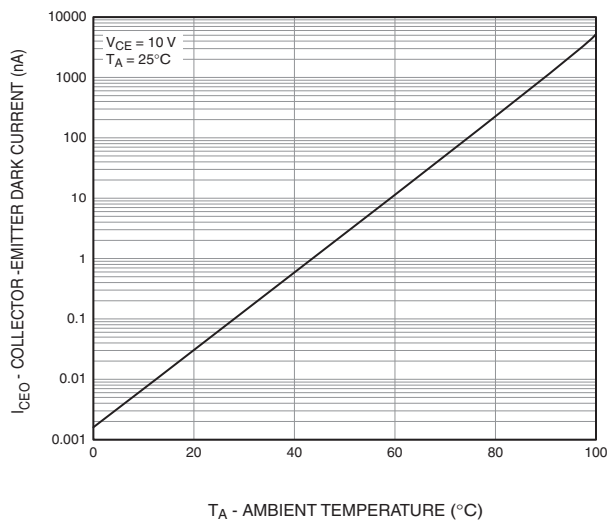
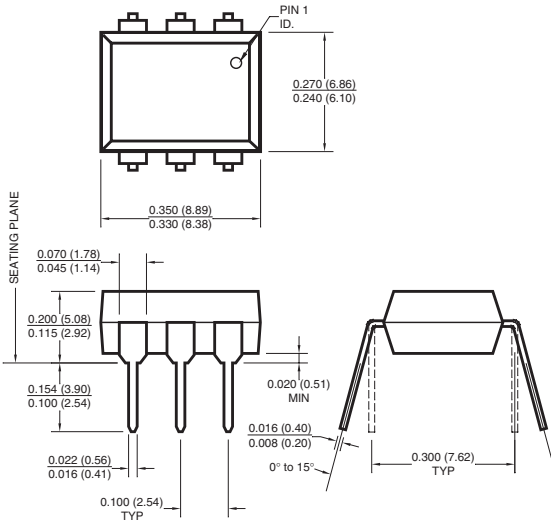


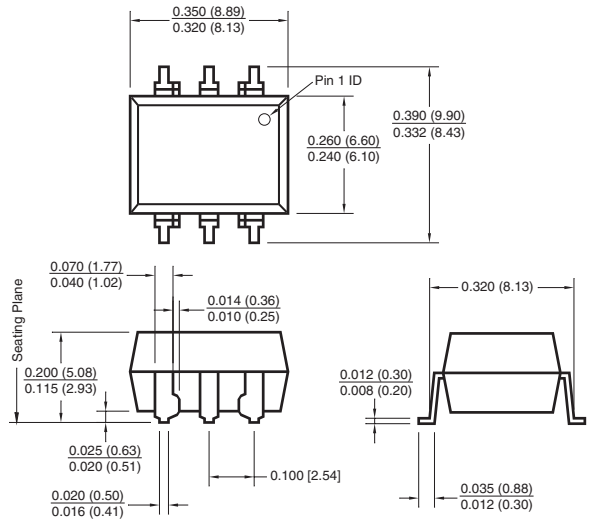
Figure 20. Switching Time Test Circuit and Waveforms

Black Package (No -M Suffix)

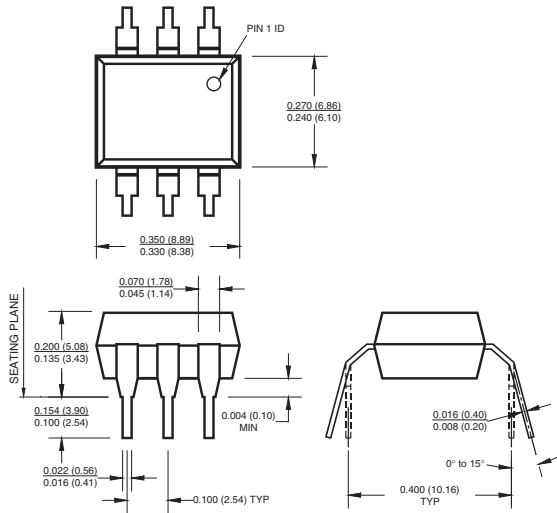
Package Dimensions (Through Hole)



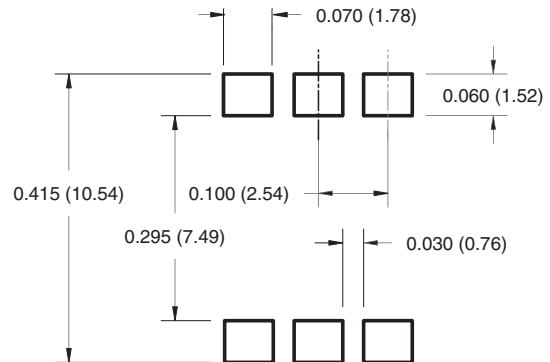
Package Dimensions (Surface Mount)



Package Dimensions (0.4" Lead Spacing)



Recommended Pad Layout for Surface Mount Leadform

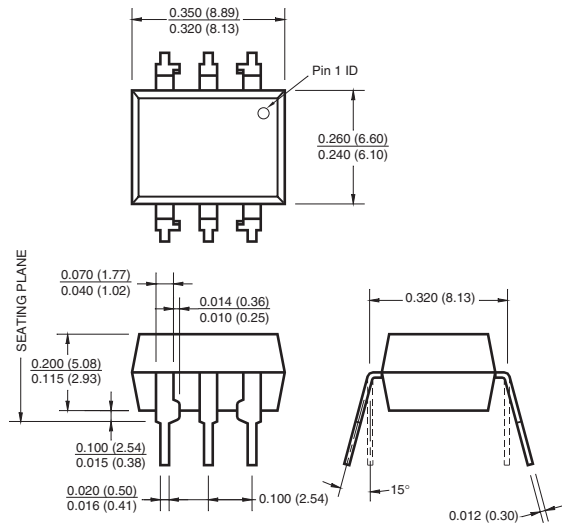


Note:

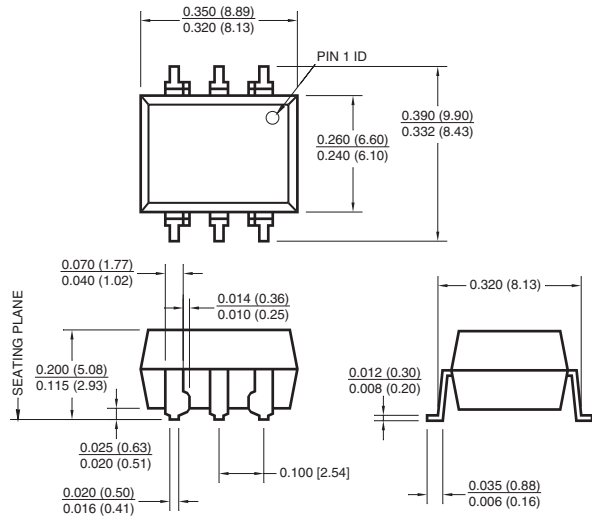
All dimensions are in inches (millimeters).

White Package (-M Suffix)

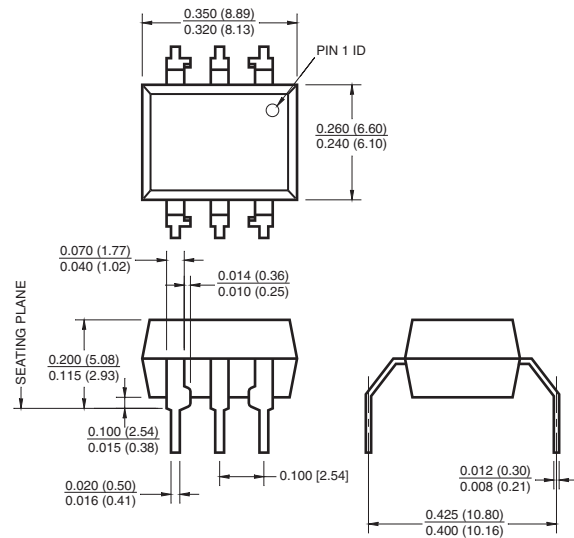
Package Dimensions (Through Hole)



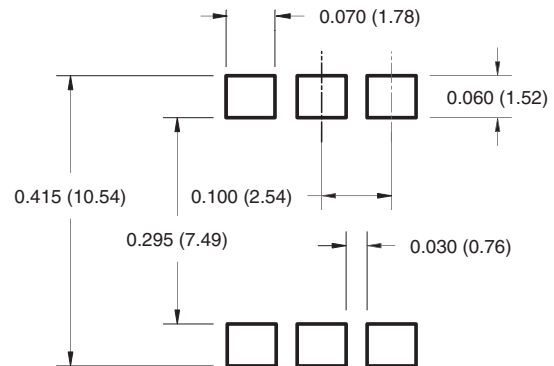
Package Dimensions (Surface Mount)



Package Dimensions (0.4" Lead Spacing)



Recommended Pad Layout for Surface Mount Leadform



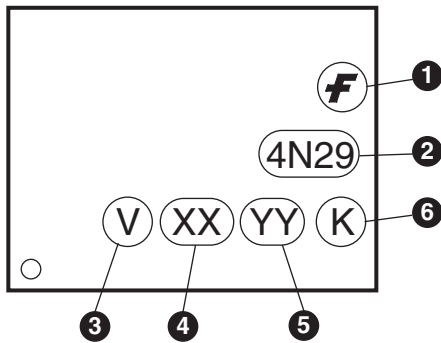
Note:

All dimensions are in inches (millimeters).

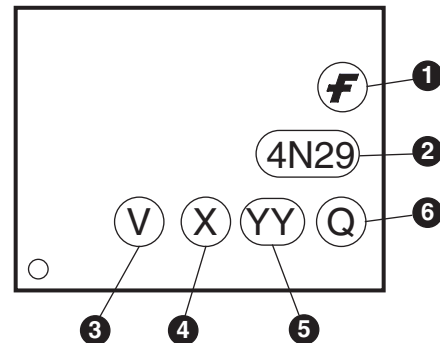
Ordering Information

Black Package (No Suffix)	Example	White Package (-M Suffix)	Example	Option
No Suffix	4N32	No Suffix	4N32M	Standard Through Hole Device
.S	4N32S	S	4N32SM	Surface Mount Lead Bend
.SD	4N32SD	SR2	4N32SR2M	Surface Mount; Tape and reel
.W	4N32W	T	4N32TM	0.4" Lead Spacing
.300	4N32300	V	4N32VM	VDE 0884
.300W	4N32300W	TV	4N32TVM	VDE 0884, 0.4" Lead Spacing
.3S	4N323S	SV	4N32SVM	VDE 0884, Surface Mount
.3SD	4N323SD	SR2V	4N32SR2VM	VDE 0884, Surface Mount, Tape & Reel

Marking Information



Black Package, No Suffix



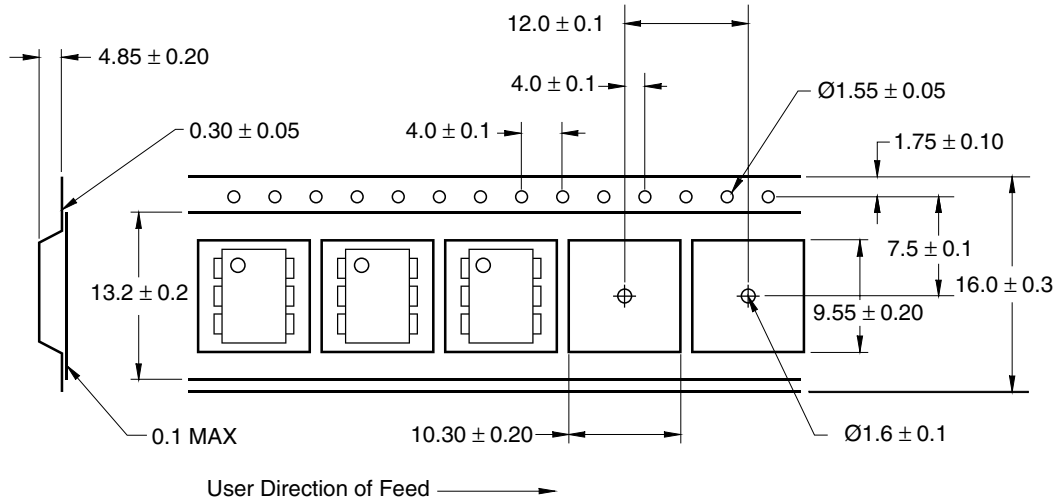
White Package, -M Suffix

Definitions	
1	Fairchild logo
2	Device number
3	VDE mark (Note: Only appears on parts ordered with VDE option – See order entry table)
4	One or two digit year code <ul style="list-style-type: none"> • Two digits for black package parts, e.g., '07' • One digit for white package parts, e.g., '7'
5	Two digit work week ranging from '01' to '53'
6	Assembly package code

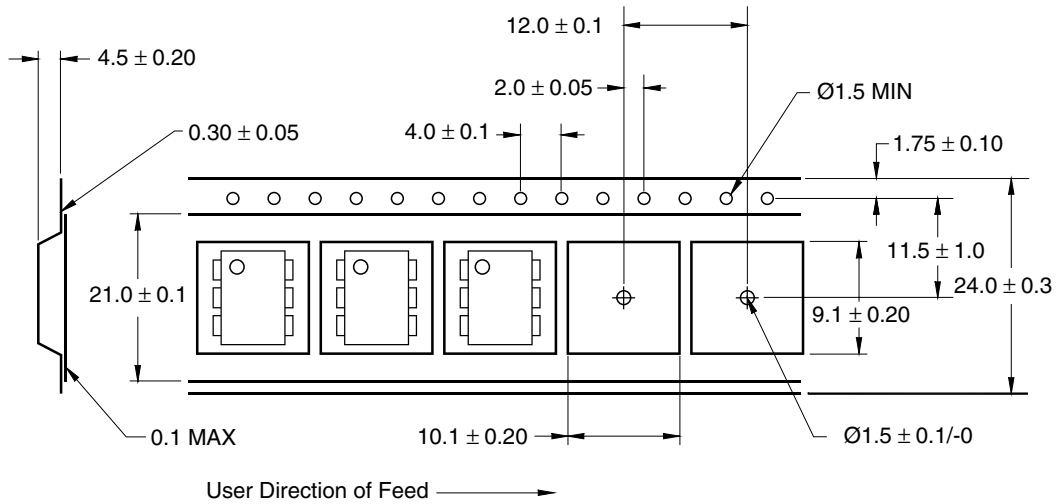
*Note – Parts built in the white package (M suffix) that do not have the 'V' option (see definition 3 above) that are marked with date code '325' or earlier are marked in the portrait format.

Tape Dimensions

Black Package, No Suffix



White Package, -M Suffix

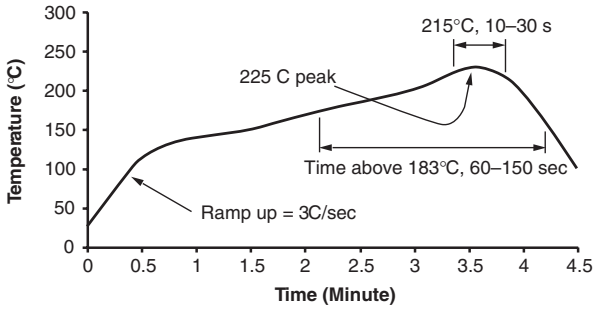


Note:

All dimensions are in millimeters.

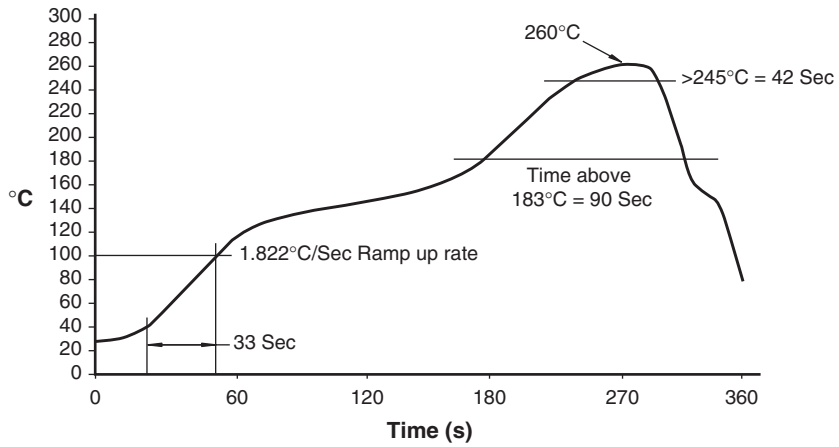
Reflow Soldering Profile

Black Package, No Suffix



- Peak reflow temperature: 225°C (package surface temperature)
- Time of temperature higher than 183°C for 60-150 seconds
- One time soldering reflow is recommended


White Package, -M Suffix





TRADEMARKS

The following are registered and unregistered trademarks Fairchild Semiconductor owns or is authorized to use and is not intended to be an exhaustive list of all such trademarks.

ACE ^x	<i>i-Lo</i> TM	Power-SPM TM	TinyBoost TM
Across the board. Around the world. TM	ImpliedDisconnect TM	PowerTrench [®]	TinyBuck TM
ActiveArray TM	IntelliMAX TM	Programmable Active Droop TM	TinyLogic [®]
Bottomless TM	ISOPLANAR TM	QFET [®]	TINYOPTO TM
Build it Now TM	MICROCOUPLER TM	QS TM	TinyPower TM
CoolFET TM	MicroPak TM	QT Optoelectronics TM	TinyWire TM
CROSSVOLT TM	MICROWIRE TM	Quiet Series TM	TruTranslation TM
CTL TM	Motion-SPM TM	RapidConfigure TM	μSerDes TM
Current Transfer Logic TM	MSX TM	RapidConnect TM	UHC [®]
DOME TM	MSXPro TM	ScalarPump TM	UniFET TM
E ² CMOS TM	OCX TM	SMART START TM	VCX TM
EcoSPARK [®]	OCXPro TM	SPM [®]	Wire TM
EnSigna TM	OPTOLOGIC [®]	STEALTH TM	
FACT Quiet Series TM	OPTOPLANAR [®]	SuperFET TM	
FACT [®]	PACMAN TM	SuperSOT TM -3	
FAST [®]	PDP-SPM TM	SuperSOT TM -6	
FASTr TM	POP TM	SuperSOT TM -8	
FPS TM	Power220 [®]	SyncFET TM	
FRFET [®]	Power247 [®]	TCM TM	
GlobalOptoisolator TM	PowerEdge TM	The Power Franchise [®]	
GTO TM	PowerSaver TM		
HiSeC TM			

DISCLAIMER

FAIRCHILD SEMICONDUCTOR RESERVES THE RIGHT TO MAKE CHANGES WITHOUT FURTHER NOTICE TO ANY PRODUCTS HEREIN TO IMPROVE RELIABILITY, FUNCTION OR DESIGN. FAIRCHILD DOES NOT ASSUME ANY LIABILITY ARISING OUT OF THE APPLICATION OR USE OF ANY PRODUCT OR CIRCUIT DESCRIBED HEREIN; NEITHER DOES IT CONVEY ANY LICENSE UNDER ITS PATENT RIGHTS, NOR THE RIGHTS OF OTHERS. THESE SPECIFICATIONS DO NOT EXPAND THE TERMS OF FAIRCHILD'S WORLDWIDE TERMS AND CONDITIONS, SPECIFICALLY THE WARRANTY THEREIN, WHICH COVERS THESE PRODUCTS.

LIFE SUPPORT POLICY

FAIRCHILD'S PRODUCTS ARE NOT AUTHORIZED FOR USE AS CRITICAL COMPONENTS IN LIFE SUPPORT DEVICES OR SYSTEMS WITHOUT THE EXPRESS WRITTEN APPROVAL OF FAIRCHILD SEMICONDUCTOR CORPORATION.

As used herein:

- Life support devices or systems are devices or systems which, (a) are intended for surgical implant into the body or (b) support or sustain life, and (c) whose failure to perform when properly used in accordance with instructions for use provided in the labeling, can be reasonably expected to result in a significant injury of the user.
- A critical component in any component of a life support, device, or system whose failure to perform can be reasonably expected to cause the failure of the life support device or system, or to affect its safety or effectiveness.

PRODUCT STATUS DEFINITIONS

Definition of Terms

Datasheet Identification	Product Status	Definition
Advance Information	Formative or In Design	This datasheet contains the design specifications for product development. Specifications may change in any manner without notice.
Preliminary	First Production	This datasheet contains preliminary data; supplementary data will be published at a later date. Fairchild Semiconductor reserves the right to make changes at any time without notice to improve design.
No Identification Needed	Full Production	This datasheet contains final specifications. Fairchild Semiconductor reserves the right to make changes at any time without notice to improve design.
Obsolete	Not In Production	This datasheet contains specifications on a product that has been discontinued by Fairchild Semiconductor. The datasheet is printed for reference information only.

Rev. 126

Home >> Find products >>

4N31

6-Pin DIP Photodarlington Output Optocoupler

Contents

- [General description](#)
- [Features](#)
- [Applications](#)
- [Ordering information](#)
- [Product status/pricing/packaging](#)
- [Order Samples](#)
- [Safety agency certificates](#)
- [Qualification Support](#)

General description

The 4N29, 4N30, 4N31, 4N32 and 4N33 have a gallium arsenide infrared emitter optically coupled to a silicon planar photodarlington.

[back to top](#)

Features

- High sensitivity to low input drive current
- Meets or exceeds all JEDEC registered specifications
- VDE 0884 approval available as a test option - add option .300. (e.g. 4N29.300)

[back to top](#)

Applications

- Low power logic circuits
- Telecommunications equipment
- Portable electronics
- Solid state relays
- Interfacing coupling systems of different potentials and impedances

[back to top](#)

BUY

Datasheet

[Download this datasheet](#)



[e-mail this datasheet](#)



This page

[Print version](#)

Related Links

[Request samples](#)

[How to order products](#)

[Product Change Notices \(PCNs\)](#)

[Support](#)

[Sales support](#)

[Quality and reliability](#)

[Design center](#)

Ordering information









The following options can be ordered with this part:

Option	Order Entry Identifier	Description
S	.S	Surface-Mount Lead Bend
SD	.SD	Surface-Mount; Tape and Reel
W	.W	0.4" Lead Spacing
300	.300	VDE 0884
300W	.300W	VDE 0884; 0.4" Lead Spacing
3S	.3S	VDE 0884; Surface-Mount
3SD	.3SD	VDE 0884; Surface-Mount; Tape and Reel

[back to top](#)

Product status/pricing/packaging

BUY

Product	Product status	Pb-free Status	Package type	Leads	Packing method
4N31	Lifetime Buy		DIP-B	6	BULK
4N31300	Lifetime Buy		DIP-B	6	BULK
4N31300W	Lifetime Buy		DIP-B	6	BULK
4N313S	Lifetime Buy		SMDIP-B	6	BULK
4N313SD	Lifetime Buy		SMDIP-B	6	TAPE REEL
4N31S	Lifetime Buy		SMDIP-B	6	BULK
4N31SD	Lifetime Buy		SMDIP-B	6	TAPE REEL
4N31W	Lifetime Buy		DIP-B	6	BULK



Indicates product with Pb-free second-level interconnect. For more information [click here](#).

[back to top](#)

Safety agency certificates

Certificate	Agency	
E90700, Vol. 1 (936 K)	UL (1577)	Underwriters Laboratories Inc.
E90700, Vol. 1 (936 K)	C-UL	Underwriters Laboratories Inc.
0122085 (677 K)	SEMKO	SEMKO
P01101067 (1638 K)	NEMKO	NEMKO
FI 16812 (964 K)	FIMKO	FIMKO
310684-02 (623 K)	DEMKO	DEMKO Testing & Certification
1027742 (2305 K)	CSA	Canadian Standards Association
94766 (1673 K)	VDE	VDE Pruf-und Zertifizierungsinstitut

[back to top](#)

Qualification Support

Click on a product for detailed qualification data

Product
4N31
4N31300
4N31300W
4N313S
4N313SD
4N31S
4N31SD
4N31W

[back to top](#)

© 2007 Fairchild Semiconductor

