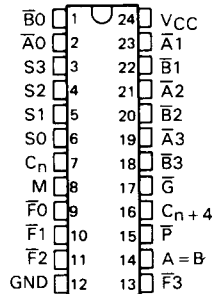
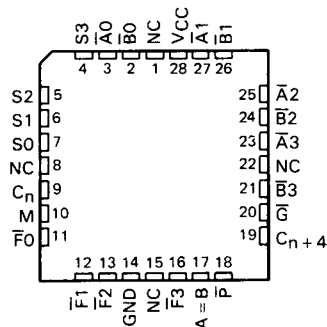


- Package Options Include Plastic "Small Outline" Packages, Both Plastic and Ceramic Chip Carriers, and Standard Plastic and Ceramic 300-mil DIPs
- Full Look-Ahead for High-Speed Operations on Long Words
- Arithmetic Operating Modes:
Addition
Subtraction
Shift Operand A One Position
Magnitude Comparison
Plus Twelve Other Arithmetic Operations
- Logic Function Modes
Exclusive-OR
Comparator
AND, NAND, OR, NOR
'AS881A Provides Status Register Checks
Plus Ten Other Logic Operations
- Dependable Texas Instruments Quality and Reliability

SN54AS181A . . . J OR JT PACKAGE
SN54AS881A . . . JT PACKAGE
SN74AS181A . . . N OR NT PACKAGE
SN74AS881A . . . DW OR NT PACKAGE
(TOP VIEW)

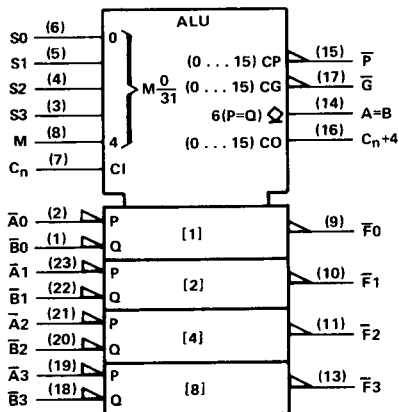


SN54AS181A, SN54AS881A . . . FK PACKAGE
SN74AS181A, SN74AS881A . . . FN PACKAGE
(TOP VIEW)



NC—No internal connection

logic symbol†



† This symbol is in accordance with ANSI/IEEE Std 91-1984 and IEC Publication 617-12.
Pin numbers are for DW, JT, and NT packages.

For complete information on the SN54AS881A and the SN74AS881A, see page 2-187.