

54F/74F160A • 74F162A Synchronous Presettable BCD Decade Counter

General Description

The 'F160A and 'F162A are high-speed synchronous decade counters operating in the BCD (8421) sequence. They are synchronously presettable for applications in programmable dividers. There are two types of Count Enable inputs plus a Terminal Count output for versatility in forming synchronous multistage counters. The 'F160A has an asynchronous Master Reset input that overrides all other inputs and forces the outputs LOW. The 'F162A has a Synchronous Reset input that overrides counting and parallel load-

ing and allows all outputs to be simultaneously reset on the rising edge of the clock. The 'F160A and 'F162A are high speed versions of the 'F160 and 'F162.

Features

- Synchronous counting and loading
- High-speed synchronous expansion
- Typical count rate of 120 MHz
- Guaranteed 4000V minimum ESD protection

Ordering Code: See Section 11

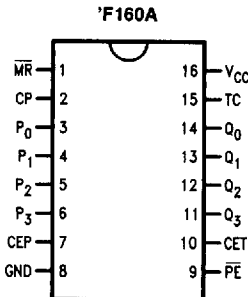
Commercial	Military	Package Number	Package Description
74F160APC		N16E	16-Lead (0.300" Wide) Molded Dual-in-Line
	54F160ADM (Note 2)	J16A	16-Lead Ceramic Dual-in-Line
74F160ASC (Note 1)		M16A	16-Lead (0.150" Wide) Molded Small Outline, JEDEC
74F160ASJ (Note 1)		M16D	16-Lead (0.300" Wide) Molded Small Outline, EIAJ
	54F160AFM (Note 2)	W16A	16-Lead Cerpack
	54F160ALM (Note 2)	E20A	20-Lead Ceramic Leadless Chip Carrier, Type C
74F162APC		N16E	16-Lead (0.300" Wide) Molded Dual-In-Line
74F162ASC (Note 1)		M16A	16-Lead (0.150" Wide) Molded Small Outline, JEDEC
74F162ASJ (Note 1)		M16D	16-Lead (0.300" Wide) Molded Small Outline, EIAJ

Note 1: Devices also available in 13" reel. Use suffix = SCX and SJX.

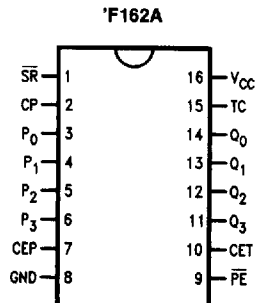
Note 2: Military grade device with environmental and burn-in processing. Use suffix = DMOB, FMOB and LMOB.

Connection Diagrams

**Pin Assignment for
DIP, SOIC and Flatpak**

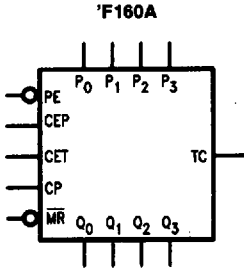


TL/F/9485-1

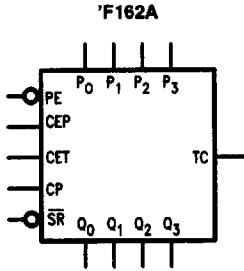


TL/F/9485-9

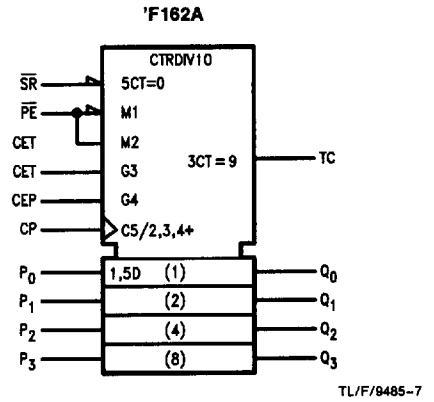
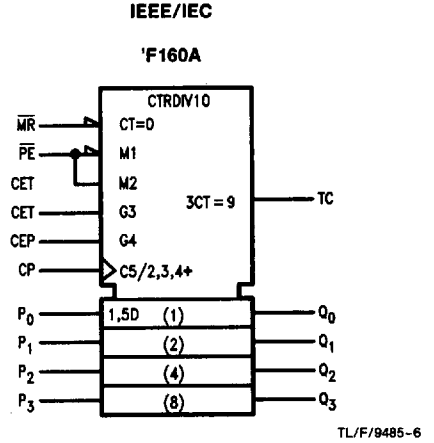
Logic Symbols



TL/F/9485-3



TL/F/9485-8



Unit Loading/Fan Out: See Section 2 for U.L. definitions

Pin Names	Description	54F/74F	
		U.L. HIGH/LOW	Input I_{IH}/I_{IL} Output I_{OH}/I_{OL}
CEP	Count Enable Parallel Input	1.0/1.0	20 μ A / -0.6 mA
CET	Count Enable Trickle Input	1.0/2.0	20 μ A / -1.2 mA
CP	Clock Pulse Input (Active Rising Edge)	1.0/1.0	20 μ A / -0.8 mA
\overline{MR} ('F160A)	Asynchronous Master Reset Input (Active LOW)	1.0/1.0	20 μ A / -0.6 mA
\overline{SR} ('F162A)	Synchronous Reset Input (Active LOW)	1.0/2.0	20 μ A / -1.2 mA
P ₀ -P ₃	Parallel Data Inputs	1.0/1.0	20 μ A / -0.8 mA
PE	Parallel Enable Input (Active LOW)	1.0/2.0	20 μ A / -1.2 mA
Q ₀ -Q ₃	Flip-Flop Outputs	50/33.3	-1 mA / 20 mA
TC	Terminal Count Output	50/33.3	-1 mA / 20 mA

Functional Description

The 'F160A and 'F162A count modulo-10 in the BCD (8421) sequence. From state 9 (HLLH) they increment to state 0 (LLLL). The clock inputs of all flip-flops are driven in parallel through a clock buffer. Thus all changes of the Q outputs (except due to Master Reset of the 'F160A) occur as a result of, and synchronous with, the LOW-to-HIGH transition of the CP input signal. The circuits have four fundamental modes of operation, in order of precedence: asynchronous reset ('F160A), synchronous reset ('F162A), parallel load, count-up and hold. Five control inputs—Master Reset (\overline{MR} , 'F160A), Synchronous Reset (\overline{SR} , 'F162A), Parallel Enable (\overline{PE}), Count Enable Parallel (CEP) and Count Enable Trickle (CET)—determine the mode of operation, as shown in the Mode Select Table. A LOW signal on \overline{MR} overrides all other inputs and asynchronously forces all outputs LOW. A LOW signal on \overline{SR} overrides counting and parallel loading and allows all outputs to go LOW on the next rising edge of CP. A LOW signal on \overline{PE} overrides counting and allows information on the Parallel Data (P_n) inputs to be loaded into the flip-flops on the next rising edge of CP. With \overline{PE} and \overline{MR} ('F160A) or \overline{SR} ('F162A) HIGH, CEP and CET permit counting when both are HIGH. Conversely, a LOW signal on either CEP or CET inhibits counting.

The 'F160A and 'F162A use D-type edge-triggered flip-flops and changing the \overline{SR} , \overline{PE} , CEP and CET inputs when the CP is in either state does not cause errors, provided that the recommended setup and hold times, with respect to the rising edge of CP, are observed.

The Terminal Count (TC) output is HIGH when CET is HIGH and counter is in state 9. To implement synchronous multi-stage counters, the TC outputs can be used with the CEP and CET inputs in two different ways. Please refer to the 'F568 data sheet. The TC output is subject to decoding spikes due to internal race conditions and is therefore not recommended for use as a clock or asynchronous reset for flip-flops, counters or registers. In the 'F160A and 'F162A decade counters, the TC output is fully decoded and can only be HIGH in state 9. If a decade counter is preset to an illegal state, or assumes an illegal state when power is applied, it will return to the normal sequence within two counts, as shown in the State Diagram.

Logic Equations:

$$\text{Count Enable} = \text{CEP} \times \text{CET} \times \overline{\text{PE}}$$

$$\text{TC} = Q_0 \times \overline{Q_1} \times \overline{Q_2} \times Q_3 \times \text{CET}$$

Mode Select Table

* \overline{SR}	\overline{PE}	CET	CEP	Action on the Rising Clock Edge (↗)
L	X	X	X	Reset (Clear)
H	L	X	X	Load ($P_n \rightarrow Q_n$)
H	H	H	H	Count (Increment)
H	H	L	X	No Change (Hold)
H	H	X	L	No Change (Hold)

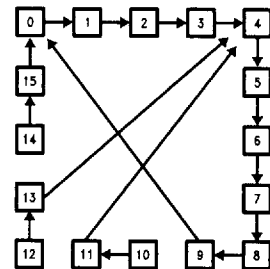
*For 'F162A only

H = HIGH Voltage Level

L = LOW Voltage Level

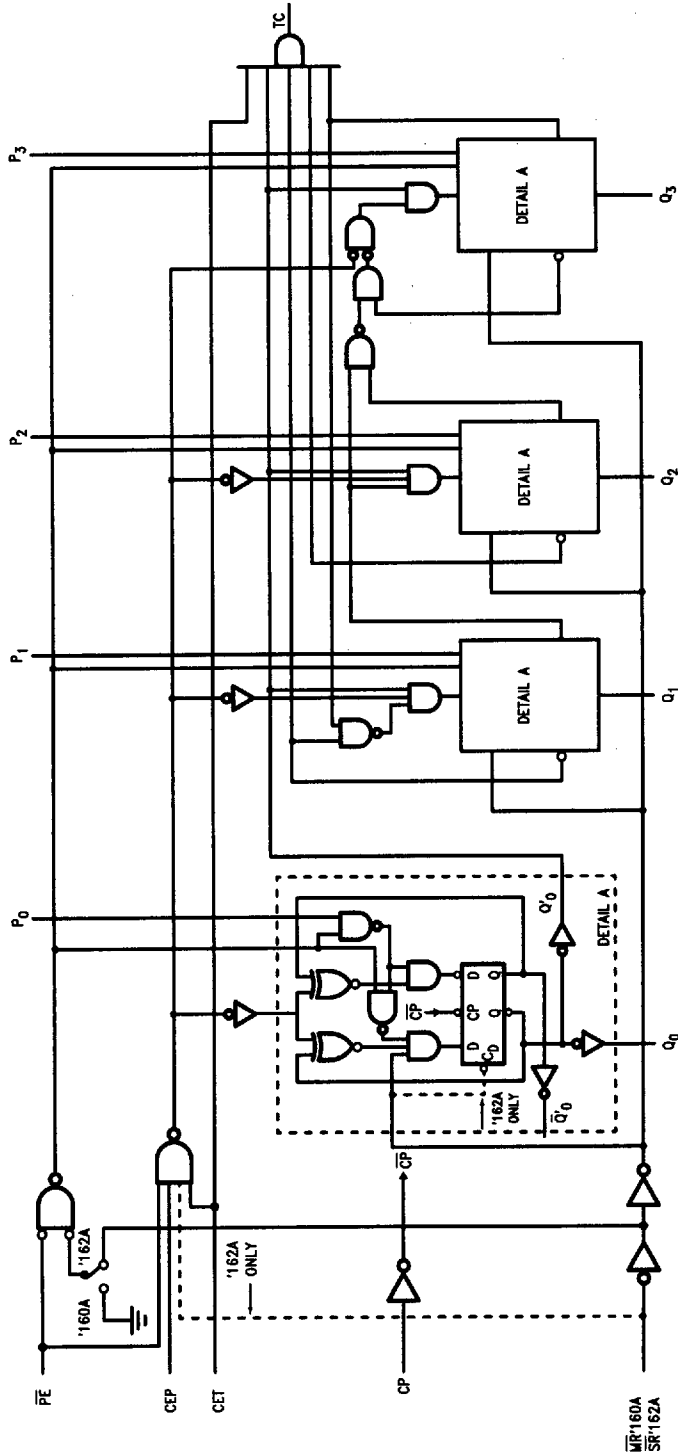
X = Immaterial

State Diagram



TL/F/9485-4

Logic Diagram



TL/F/9485-5

Please note that this diagram is provided only for the understanding of logic operations and should not be used to estimate propagation delays.

MR160A
SR162A

Absolute Maximum Ratings (Note 1)

If Military/Aerospace specified devices are required, please contact the National Semiconductor Sales Office/Distributors for availability and specifications.

Storage Temperature	-65°C to +150°C
Ambient Temperature under Bias	-55°C to +125°C
Junction Temperature under Bias	-55°C to +175°C
Plastic	-55°C to +150°C

V_{CC} Pin Potential to Ground Pin -0.5V to +7.0V

Input Voltage (Note 2) -0.5V to +7.0V

Input Current (Note 2) -30 mA to +5.0 mA

Voltage Applied to Output in HIGH State (with $V_{CC} = 0V$)
Standard Output -0.5V to V_{CC}
TRI-STATE® Output -0.5V to +5.5V

Current Applied to Output in LOW State (Max) twice the rated I_{OL} (mA)

ESD Last Passing Voltage (Min) 4000V

Note 1: Absolute maximum ratings are values beyond which the device may be damaged or have its useful life impaired. Functional operation under these conditions is not implied.

Note 2: Either voltage limit or current limit is sufficient to protect inputs.

Recommended Operating Conditions

Free Air Ambient Temperature	
Military	-55°C to +125°C
Commercial	0°C to +70°C
Supply Voltage	
Military	+4.5V to +5.5V
Commercial	+4.5V to +5.5V

DC Electrical Characteristics

Symbol	Parameter	54F/74F			Units	V_{CC}	Conditions
		Min	Typ	Max			
V_{IH}	Input HIGH Voltage	2.0			V		Recognized as a HIGH Signal
V_{IL}	Input LOW Voltage	0.8			V		Recognized as a LOW Signal
V_{CD}	Input Clamp Diode Voltage	-1.2			V	Min	$I_{IN} = -18 \text{ mA}$
V_{OH}	Output HIGH Voltage	54F 10% V_{CC}	2.5		V	Min	$I_{OH} = -1 \text{ mA}$
		74F 10% V_{CC}	2.5				$I_{OH} = -1 \text{ mA}$
		74F 5% V_{CC}	2.7				$I_{OH} = -1 \text{ mA}$
V_{OL}	Output LOW Voltage	54F 10% V_{CC}		0.5	V	Min	$I_{OL} = 20 \text{ mA}$
		74F 10% V_{CC}		0.5			$I_{OL} = 20 \text{ mA}$
I_{IH}	Input HIGH Current	54F		20.0	μA	Max	$V_{IN} = 2.7V$
		74F		5.0			$V_{IN} = 7.0V$
I_{BVI}	Input HIGH Current Breakdown Test	54F		100	μA	Max	$V_{IN} = 7.0V$
		74F		7.0			$V_{OUT} = V_{CC}$
I_{CEX}	Output HIGH Leakage Current	54F		250	μA	Max	$V_{OUT} = V_{CC}$
		74F		50			
V_{ID}	Input Leakage Test	74F	4.75		V	0.0	$I_D = 1.9 \mu\text{A}$ All Other Pins Grounded
I_{OD}	Output Leakage Circuit Current	74F		3.75	μA	0.0	$V_{IOD} = 150 \text{ mV}$ All Other Pins Grounded
I_{IL}	Input LOW Current			-0.6	mA	Max	$V_{IN} = 0.5V$ (CP, CEP, P _n , M \bar{R} ('F160A))
				-1.2			$V_{IN} = 0.5V$ (CET, S \bar{R} ('F162A), PE)
I_{OS}	Output Short-Circuit Current		-60	-150	mA	Max	$V_{OUT} = 0V$
I_{CC}	Power Supply Current		37	55			$V_O = \text{HIGH}$

AC Electrical Characteristics: See Section 2 for Waveforms and Load Configurations

Symbol	Parameter	74F			54F		74F		Units	Fig. No.
		T _A = +25°C V _{CC} = +5.0V C _L = 50 pF			T _A , V _{CC} = Mil C _L = 50 pF		T _A , V _{CC} = Com C _L = 50 pF			
		Min	Typ	Max	Min	Max	Min	Max		
f _{max}	Maximum Count Frequency	90	120		75		80		MHz	2-1
t _{PLH}	Propagation Delay, Count CP to Q _n (\overline{PE} Input HIGH)	3.5	5.5	7.5	3.5	9.0	3.5	8.5	ns	2-3
t _{PHL}		3.5	7.5	10.0	3.5	11.5	3.5	11.0		
t _{PLH}	Propagation Delay, Load CP to Q _n (\overline{PE} Input LOW)	4.0	6.0	8.5	4.0	10.0	4.0	9.5	ns	2-3
t _{PHL}		4.0	6.0	8.5	4.0	10.0	4.0	9.5		
t _{PLH}	Propagation Delay CP to TC	5.0	10.0	14.0	5.0	16.5	5.0	15.0	ns	2-3
t _{PHL}		5.0	10.0	14.0	5.0	15.5	5.0	15.0		
t _{PLH}	Propagation Delay CET to TC	2.5	4.5	7.5	2.5	9.0	2.5	8.5	ns	2-3
t _{PHL}		2.5	4.5	7.5	2.5	9.0	2.5	8.5		
t _{PHL}	Propagation Delay \overline{MR} to Q _n ('F160A)	5.5	9.0	12.0	5.5	14.0	5.5	13.0	ns	2-3
t _{PHL}	Propagation Delay \overline{MR} to TC ('F160A)	4.5	8.0	10.5	4.5	12.5	4.5	11.5	ns	2-3

AC Operating Requirements: See Section 2 for Waveforms

Symbol	Parameter	74F		54F		74F		Units	Fig. No.
		$T_A = +25^\circ\text{C}$ $V_{CC} = +5.0\text{V}$		$T_A, V_{CC} = \text{MII}$		$T_A, V_{CC} = \text{Com}$			
		Min	Max	Min	Max	Min	Max		
$t_s(\text{H})$ $t_s(\text{L})$	Setup Time, HIGH or LOW P_n to CP ('F160A)	4.0		5.5		4.0		ns	2-6
		5.0		5.5		5.0			
$t_s(\text{H})$ $t_s(\text{L})$	Setup Time, HIGH or LOW P_n to CP ('F162A)	5.0				5.0		ns	2-6
		5.0				5.0			
$t_h(\text{H})$ $t_h(\text{L})$	Hold Time, HIGH or LOW P_n to CP	2.0		2.5		2.0		ns	2-6
		2.0		2.5		2.0			
$t_s(\text{H})$ $t_s(\text{L})$	Setup Time, HIGH or LOW $\overline{\text{PE}}$ or $\overline{\text{SR}}$ to CP	11.0		13.5		11.5		ns	2-6
		8.5		10.5		9.5			
$t_h(\text{H})$ $t_h(\text{L})$	Hold Time, HIGH or LOW $\overline{\text{PE}}$ or $\overline{\text{SR}}$ to CP	2.0		2.0		2.0		ns	2-6
		0		0		0			
$t_s(\text{H})$ $t_s(\text{L})$	Setup Time, HIGH or LOW CEP or CET to CP	11.0		13.0		11.5		ns	2-6
		5.0		6.0		5.0			
$t_h(\text{H})$ $t_h(\text{L})$	Hold Time, HIGH or LOW CEP or CET to CP	0		0		0		ns	2-4
		0		0		0			
$t_w(\text{H})$ $t_w(\text{L})$	Clock Pulse Width (Load) HIGH or LOW	5.0		5.0		5.0		ns	2-4
		5.0		5.0		5.0			
$t_w(\text{H})$ $t_w(\text{L})$	Clock Pulse Width (Count) HIGH or LOW	4.0		5.0		4.0		ns	2-4
		6.0		8.0		7.0			
$t_w(\text{L})$	$\overline{\text{MR}}$ Pulse Width, LOW (F160A)	5.0		5.0		5.0		ns	2-6
t_{rec}	Recovery Time $\overline{\text{MR}}$ to CP (F160A)	6.0		6.0		6.0		ns	2-6